



TECHNIC

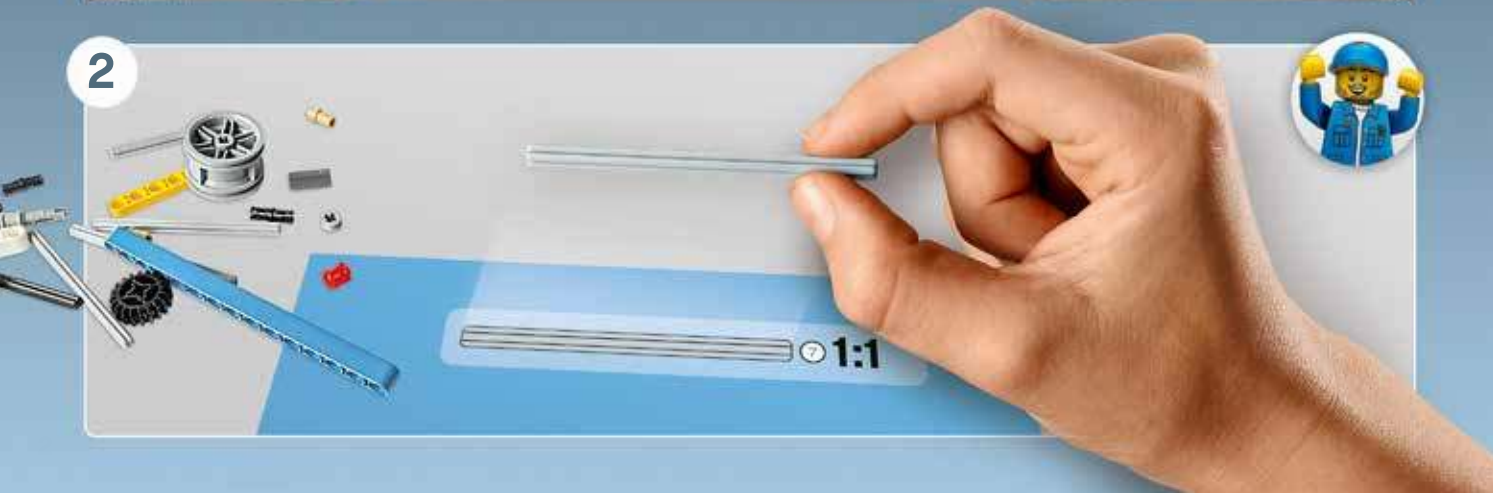
42046

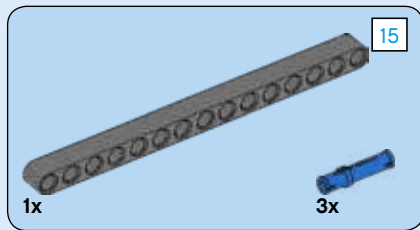


1

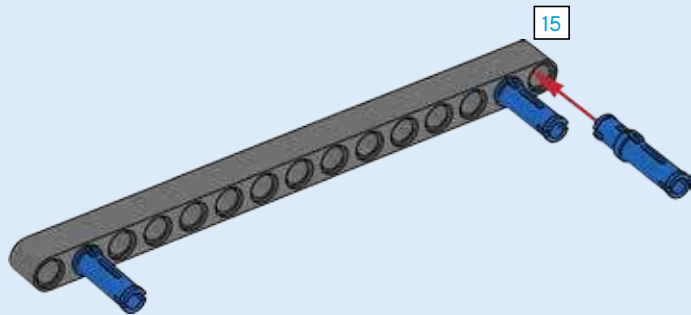


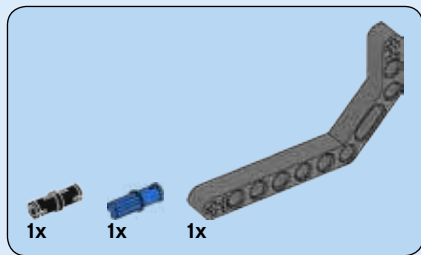
2



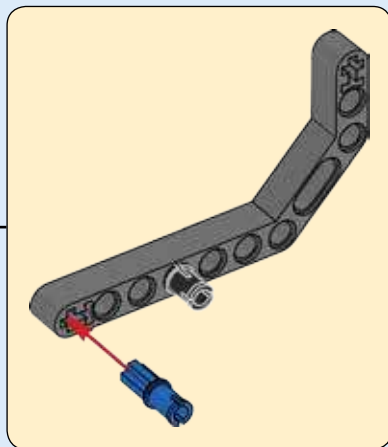
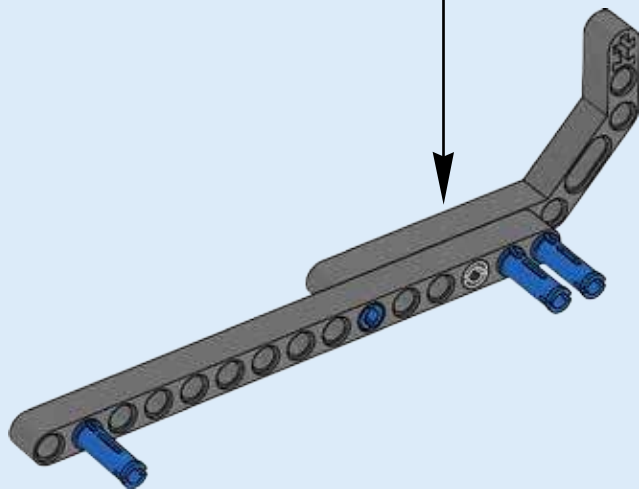


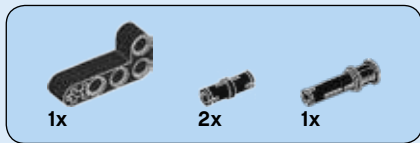
1



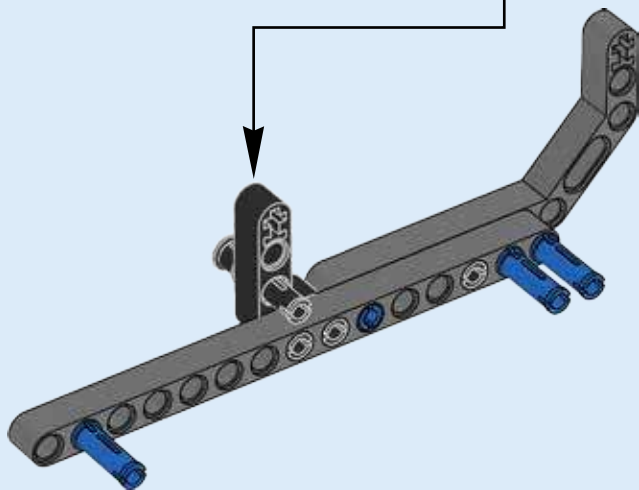
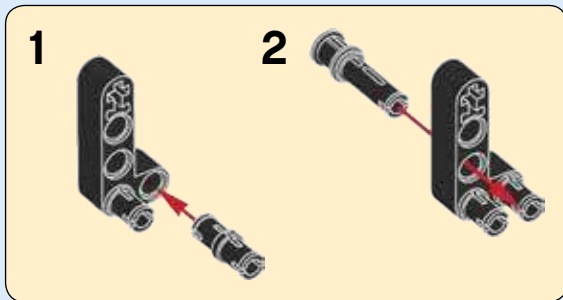


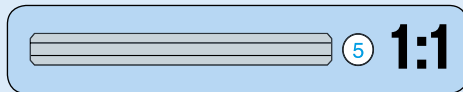
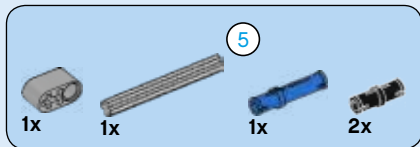
2



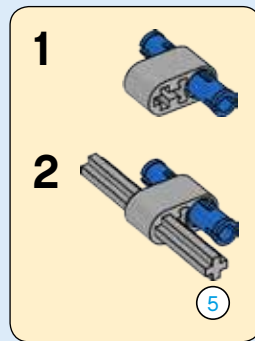
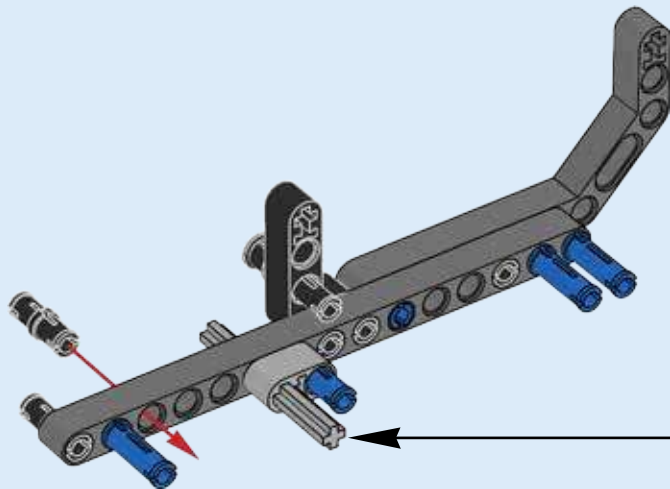


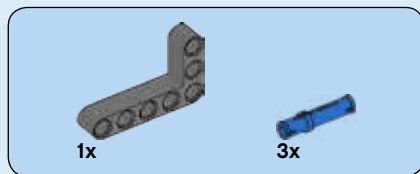
3



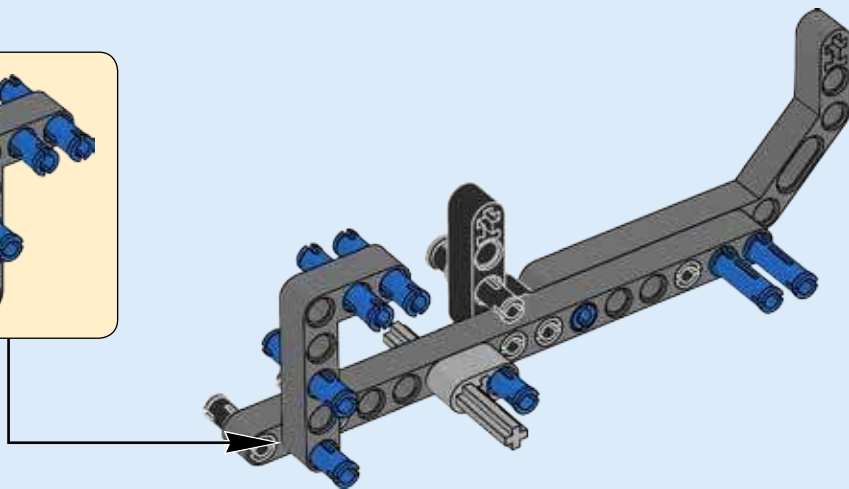
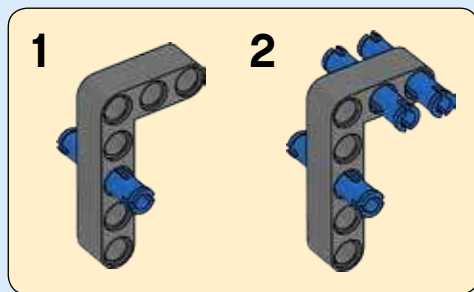


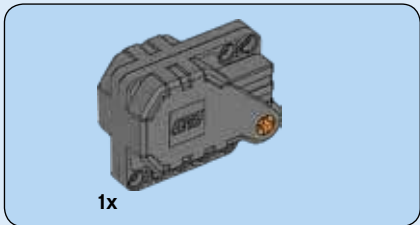
4



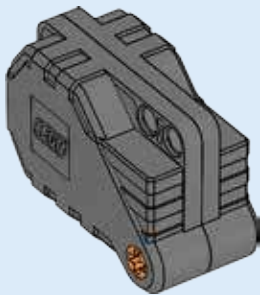


5

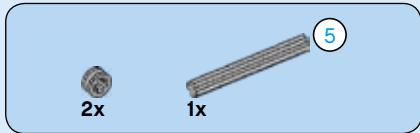




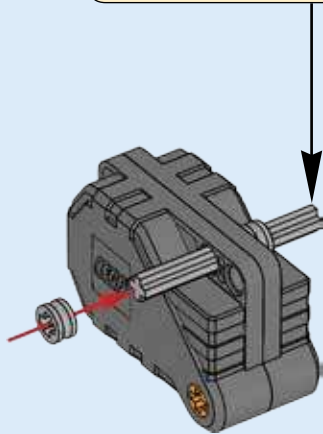
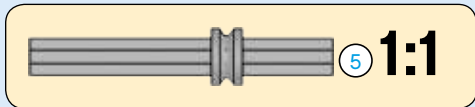
6

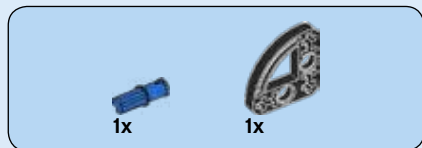


8

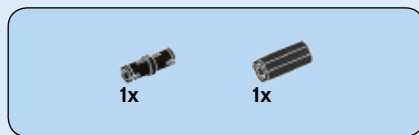
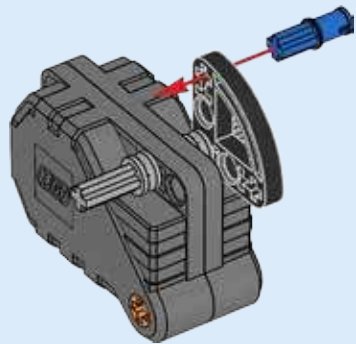


7

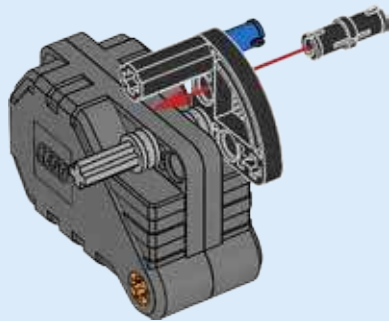


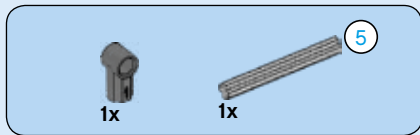


8

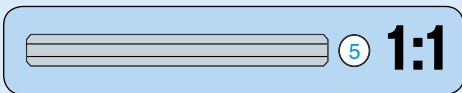
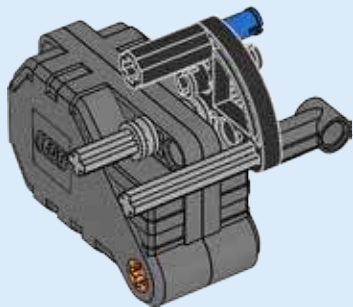
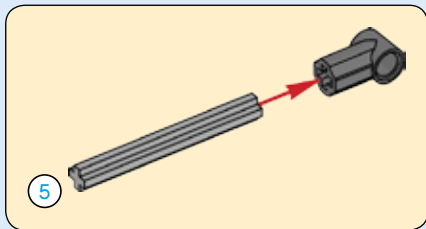


9

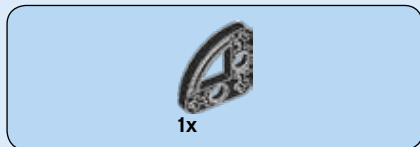




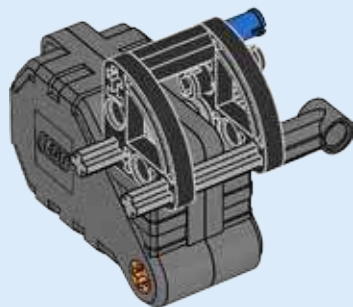
10



10



11



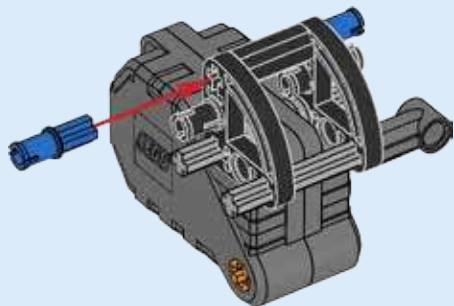


1x



1x

12

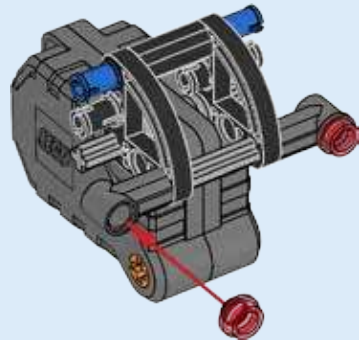


2x

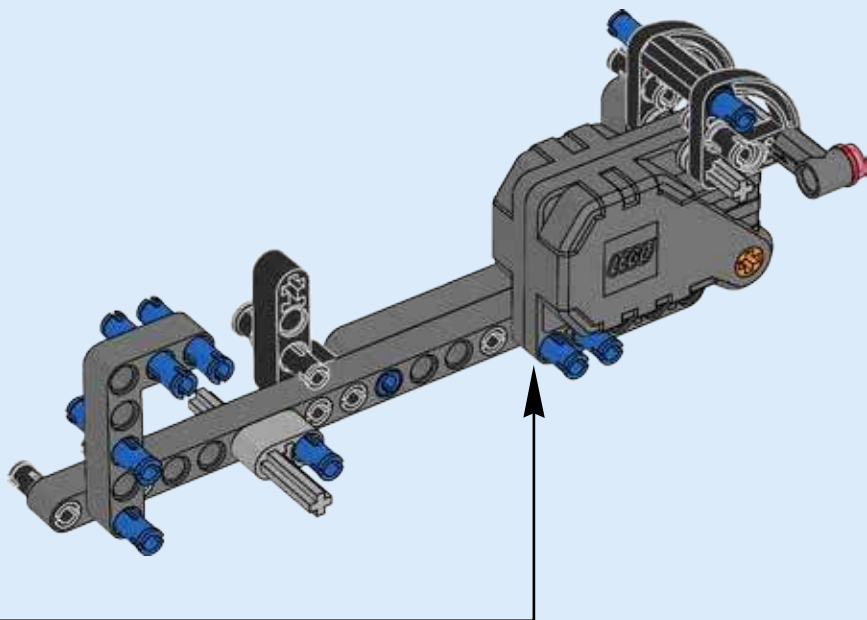


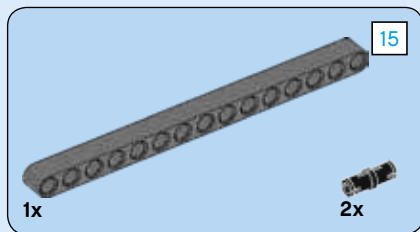
1x

13

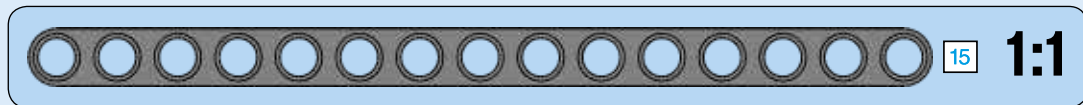
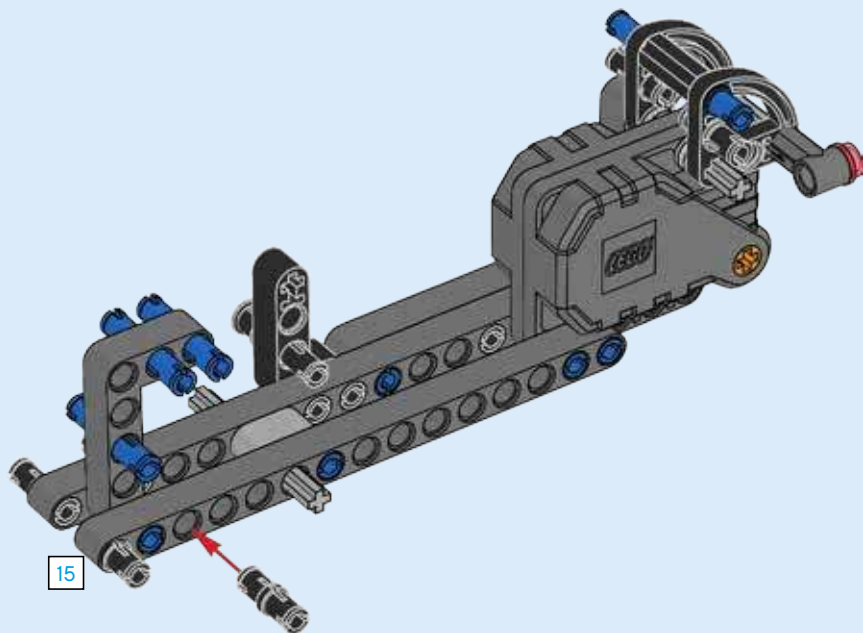


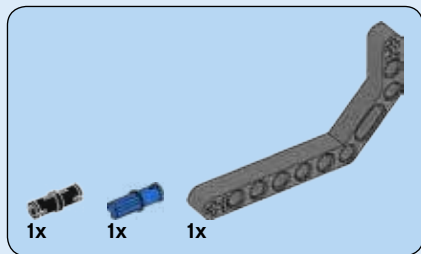
14



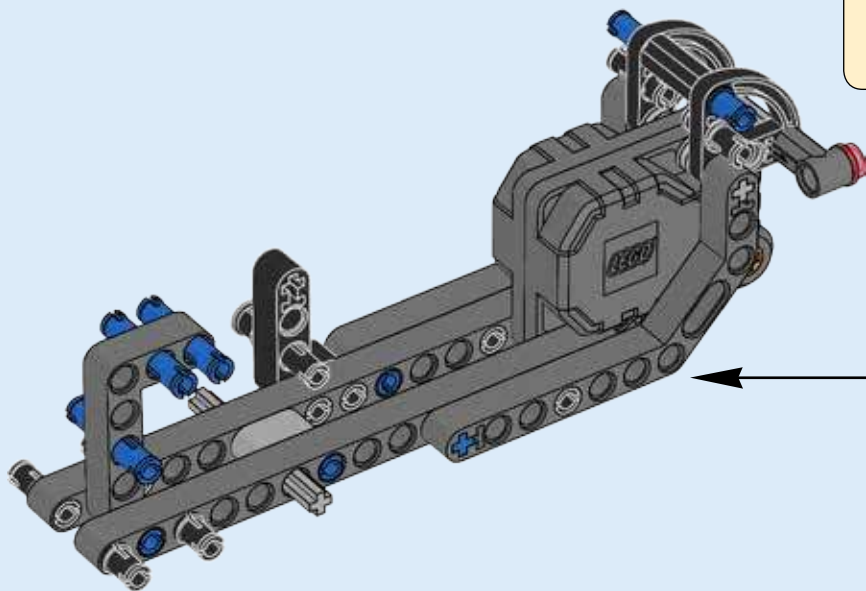
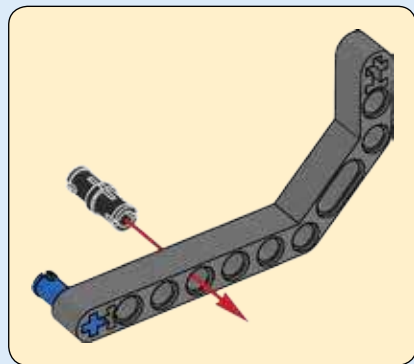


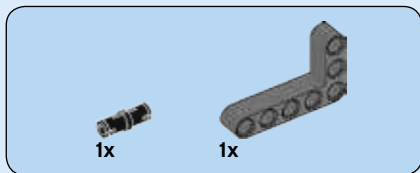
15



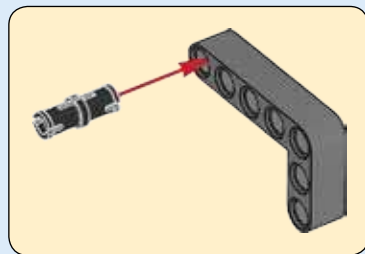
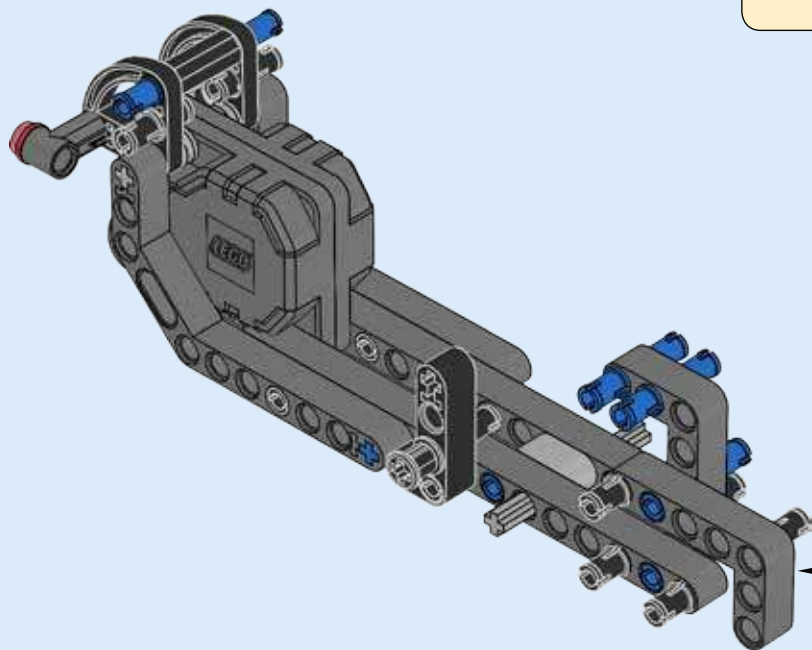
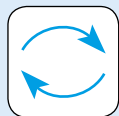


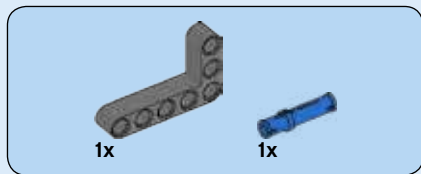
16



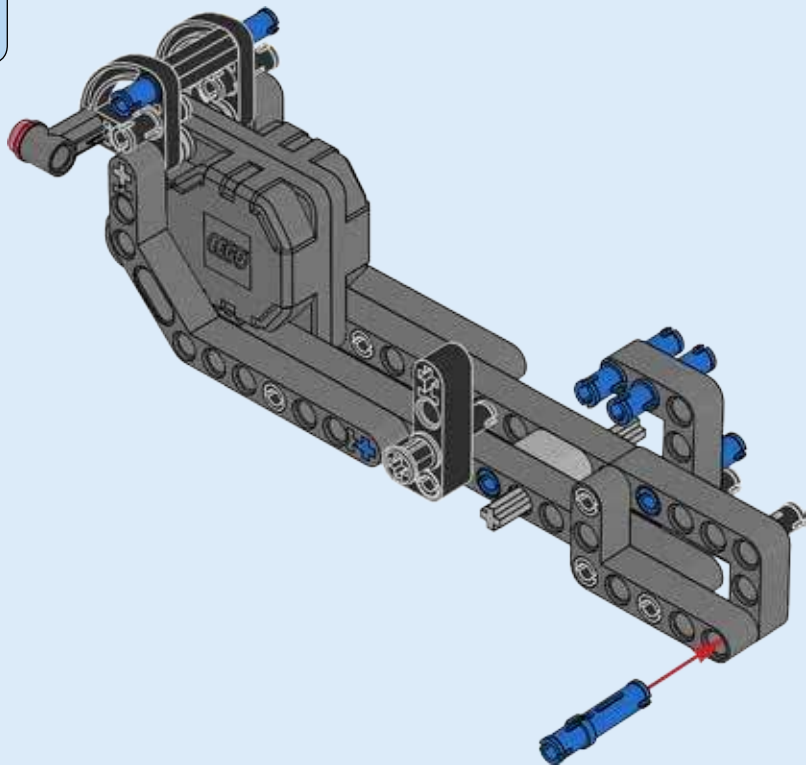


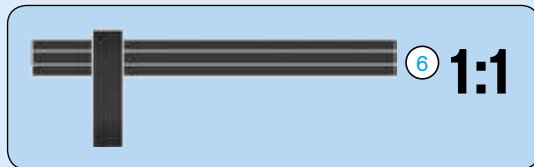
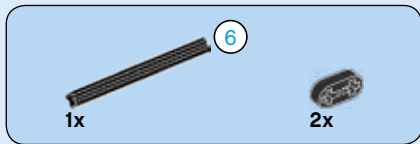
17



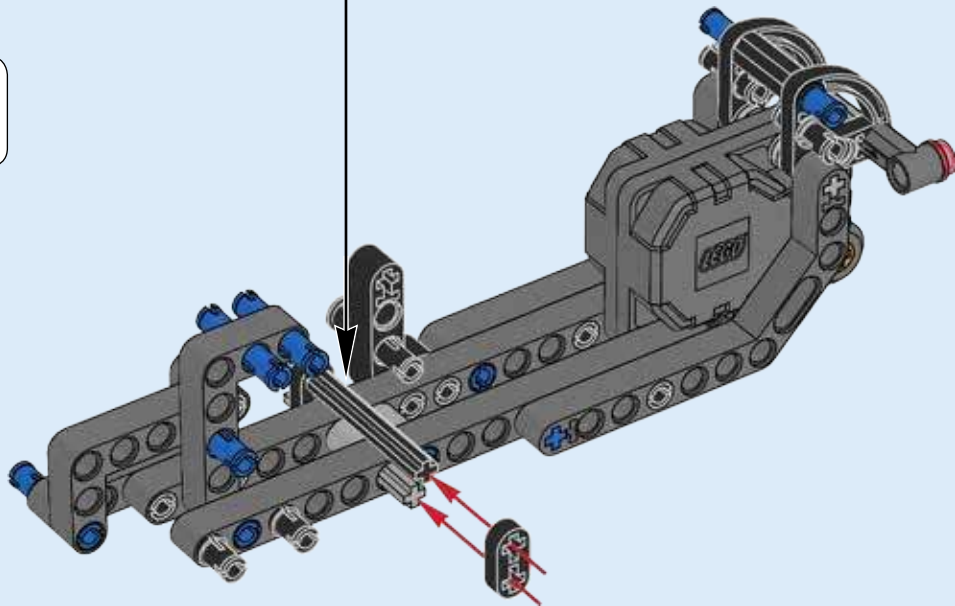
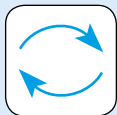


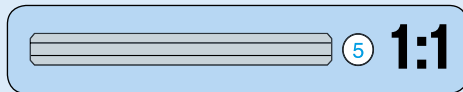
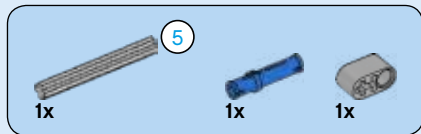
18



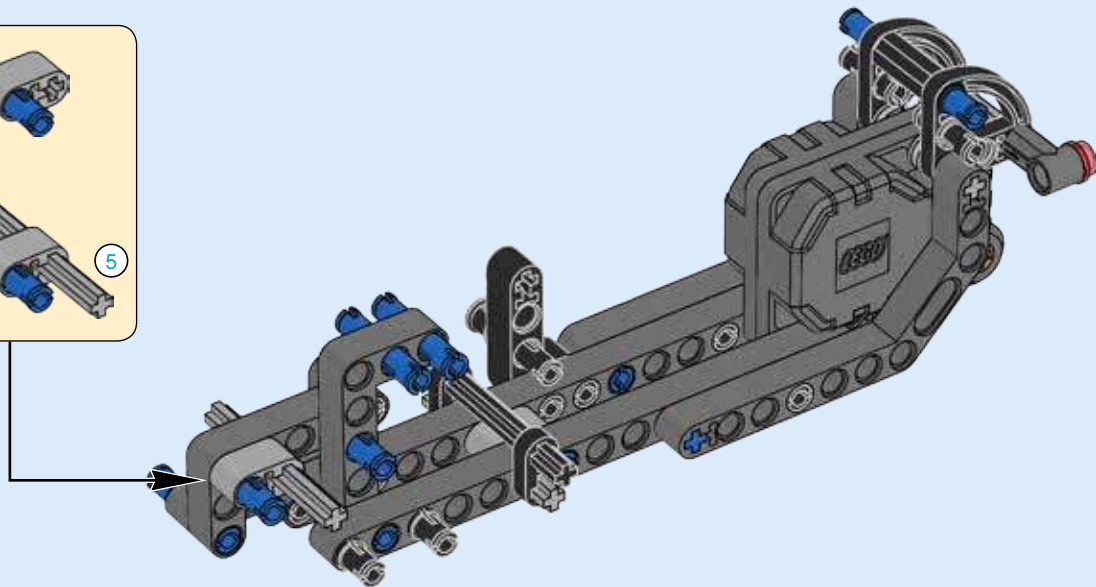
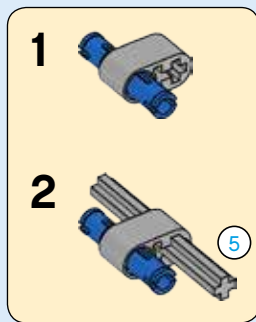


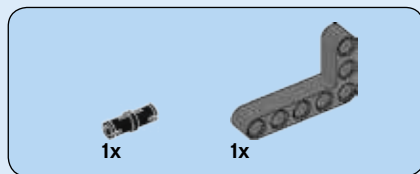
19



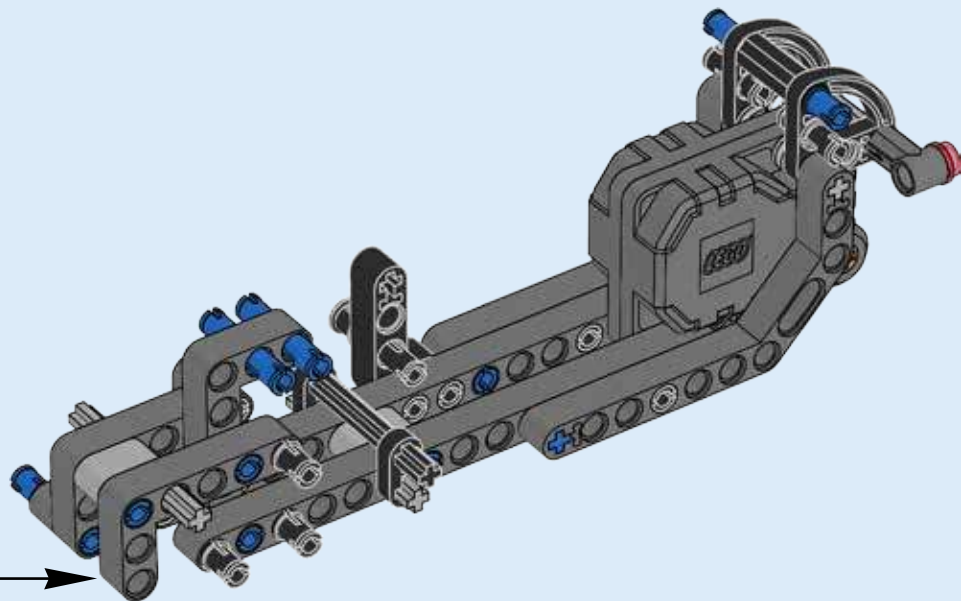
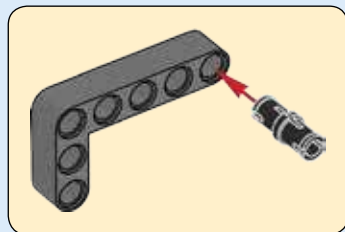


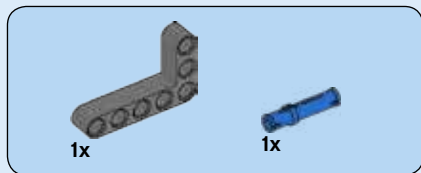
20



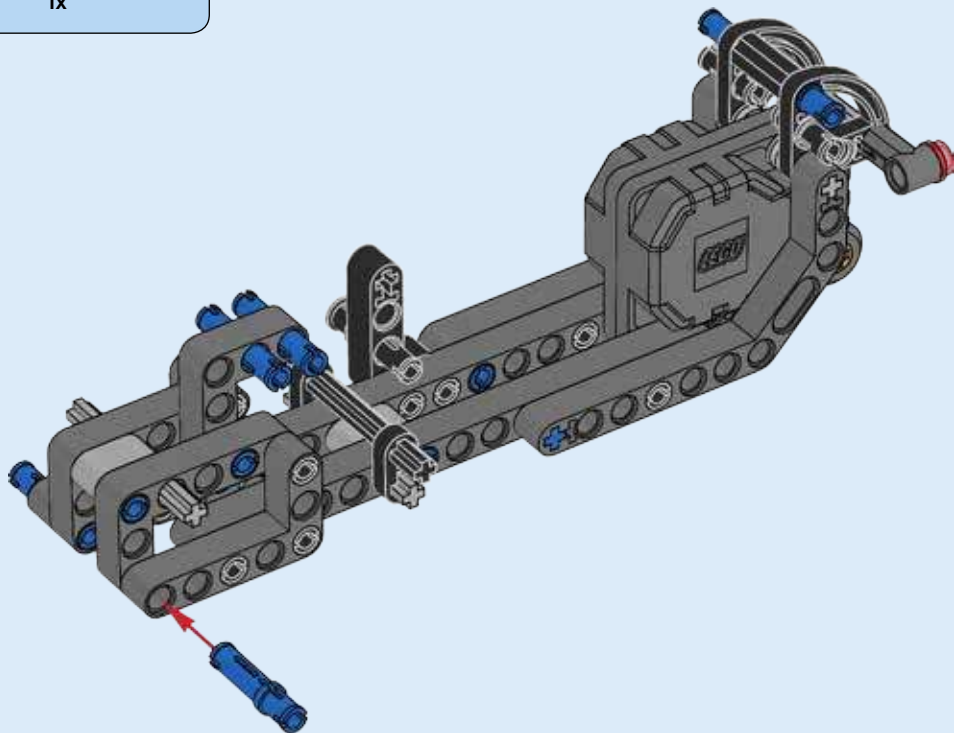


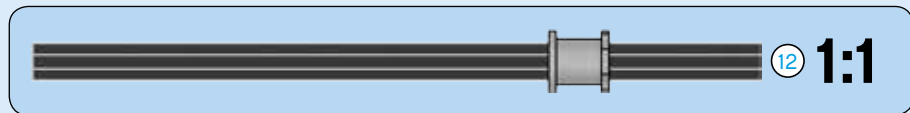
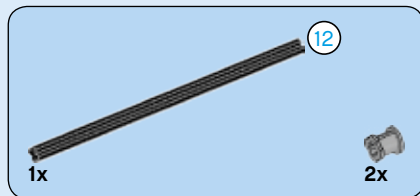
21



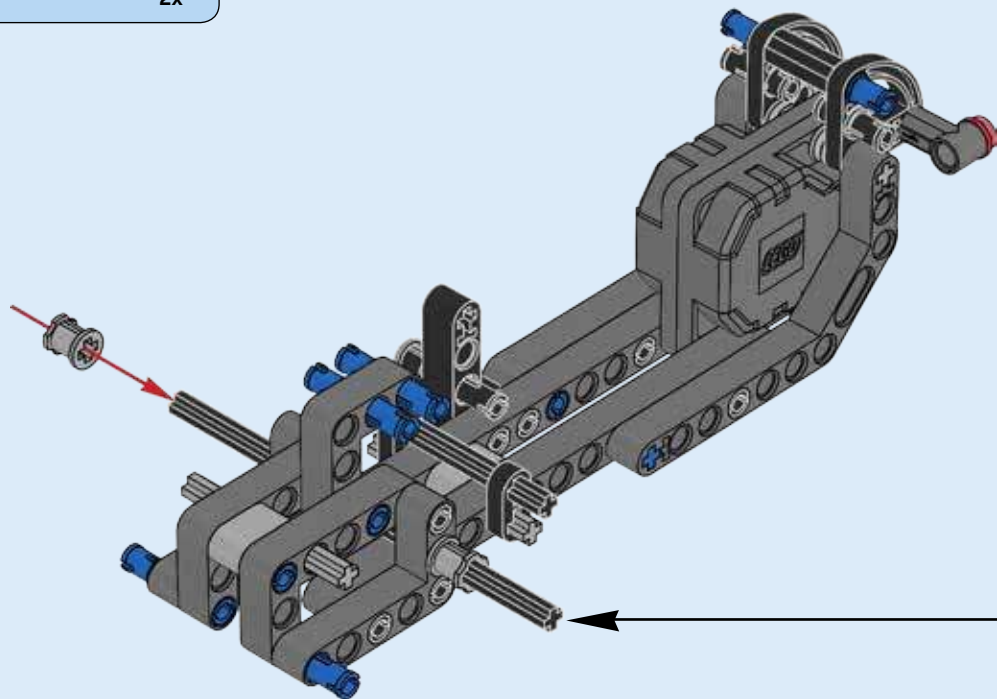


22





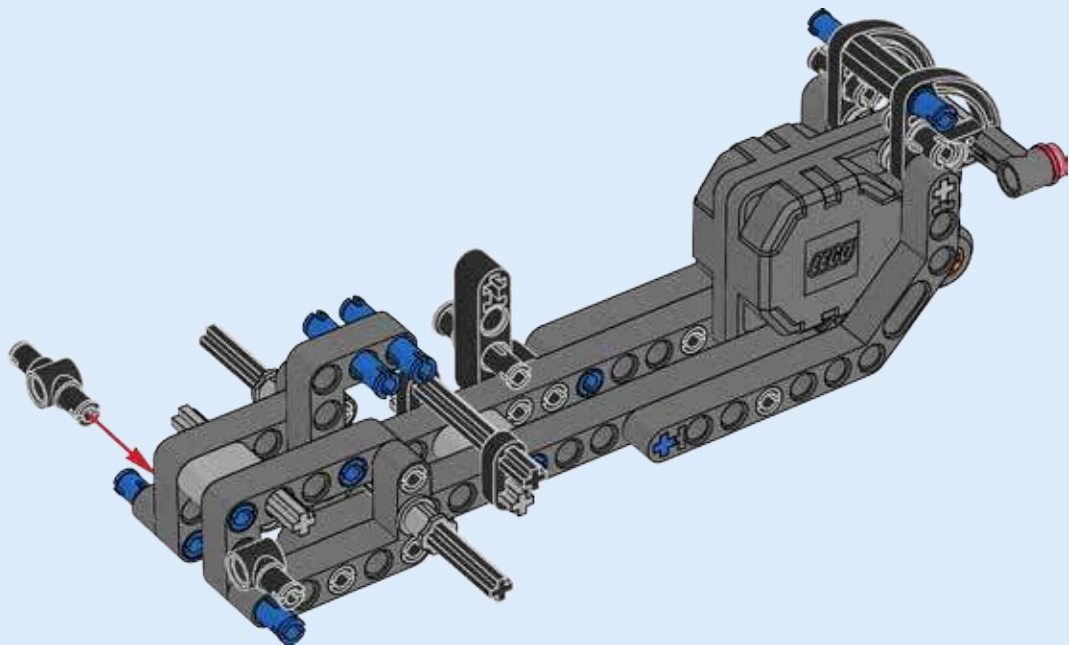
23





2x

24





2x

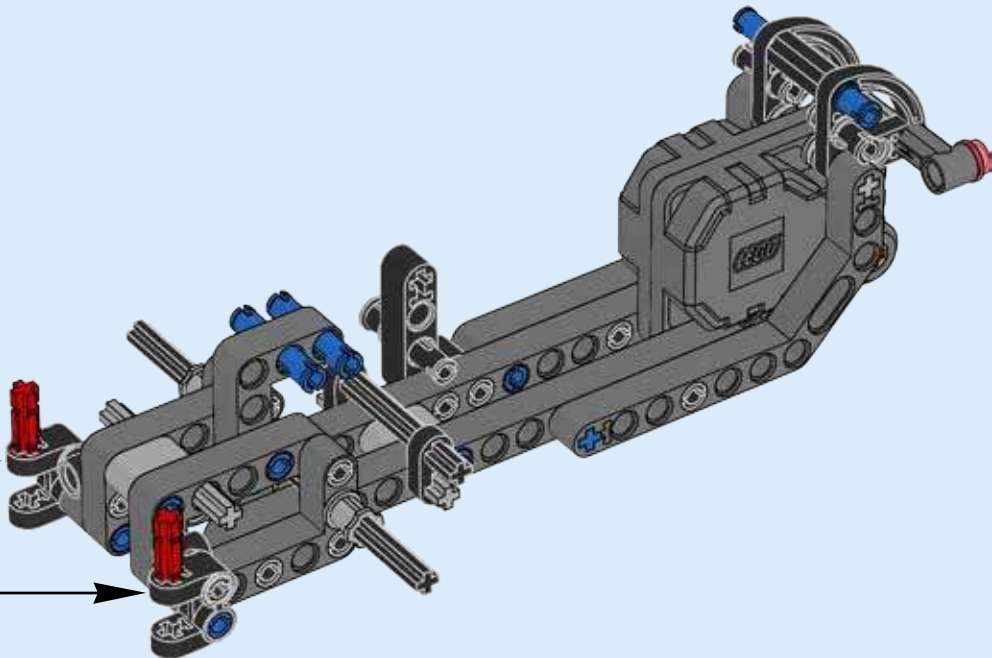


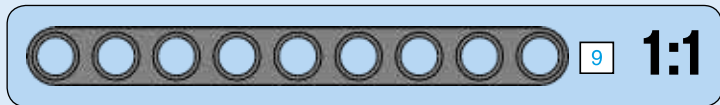
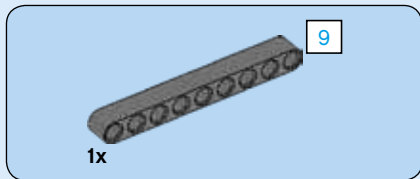
2x

25

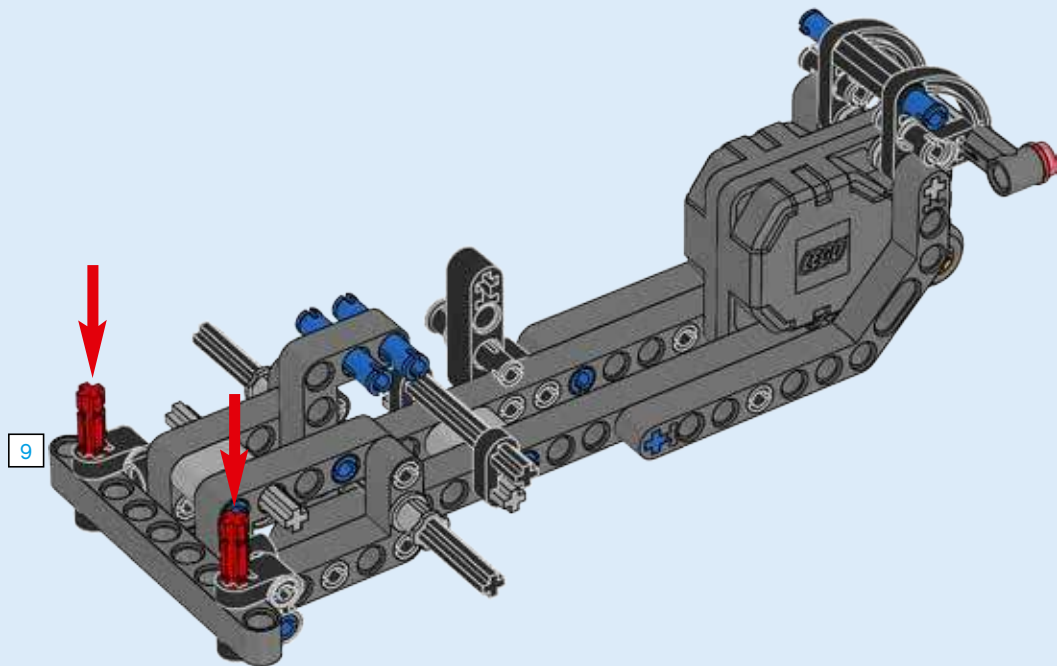


2x





26





2x



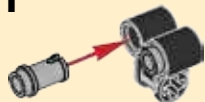
4x



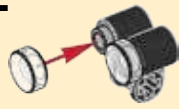
4x

27

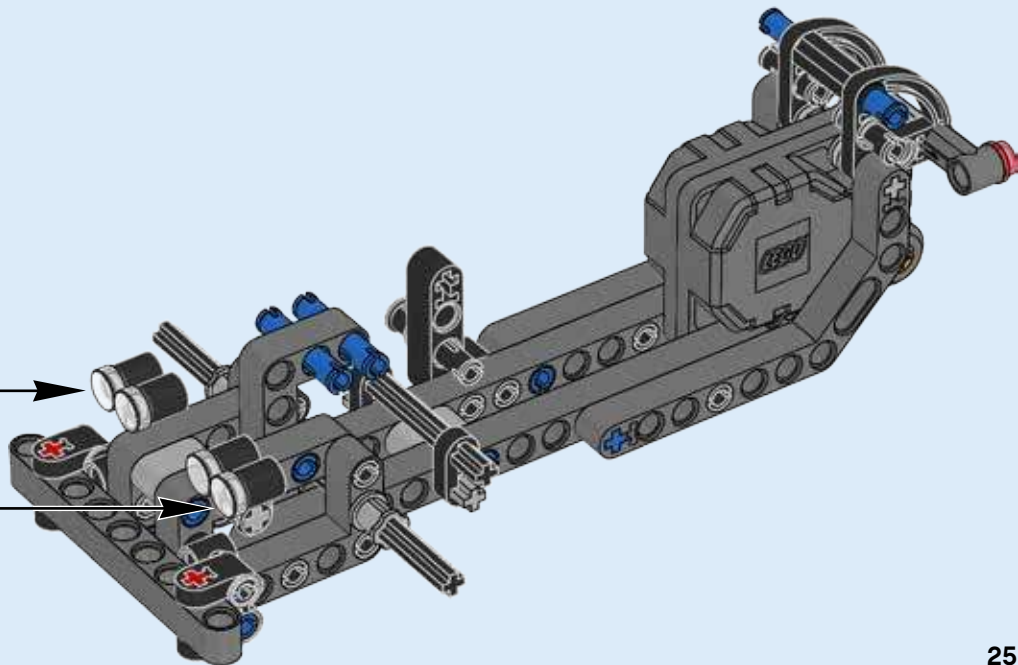
1

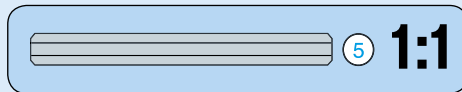
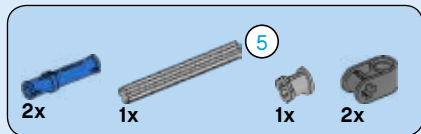


2

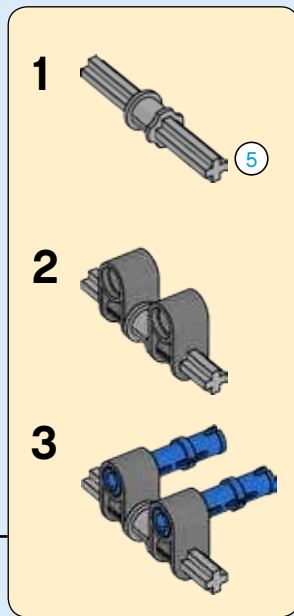
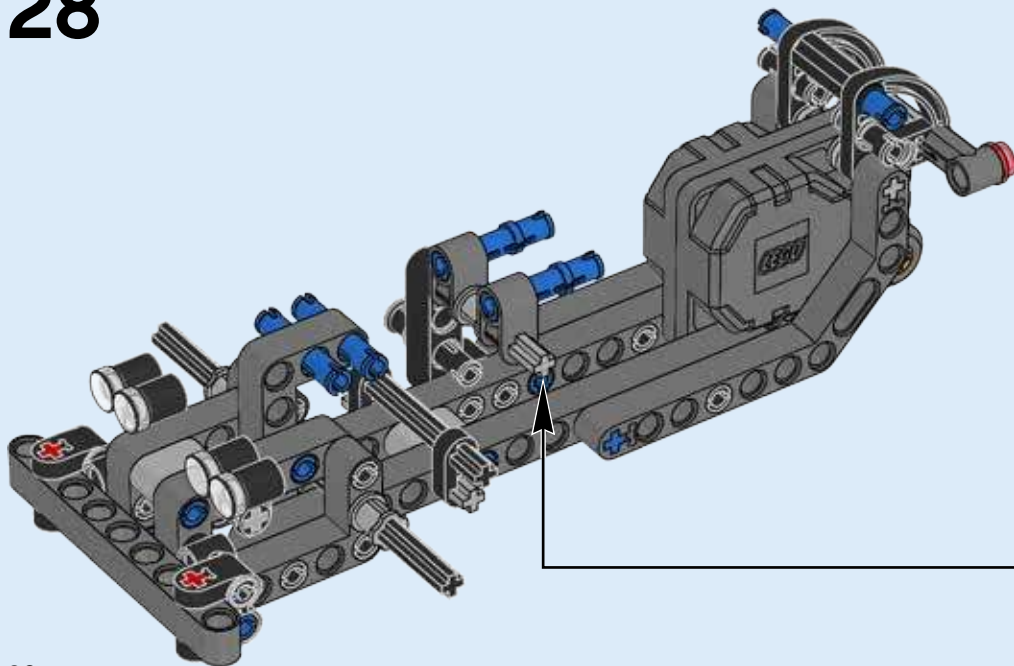


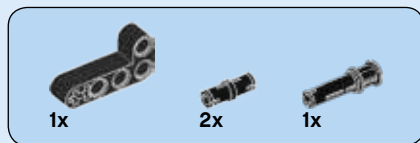
2x



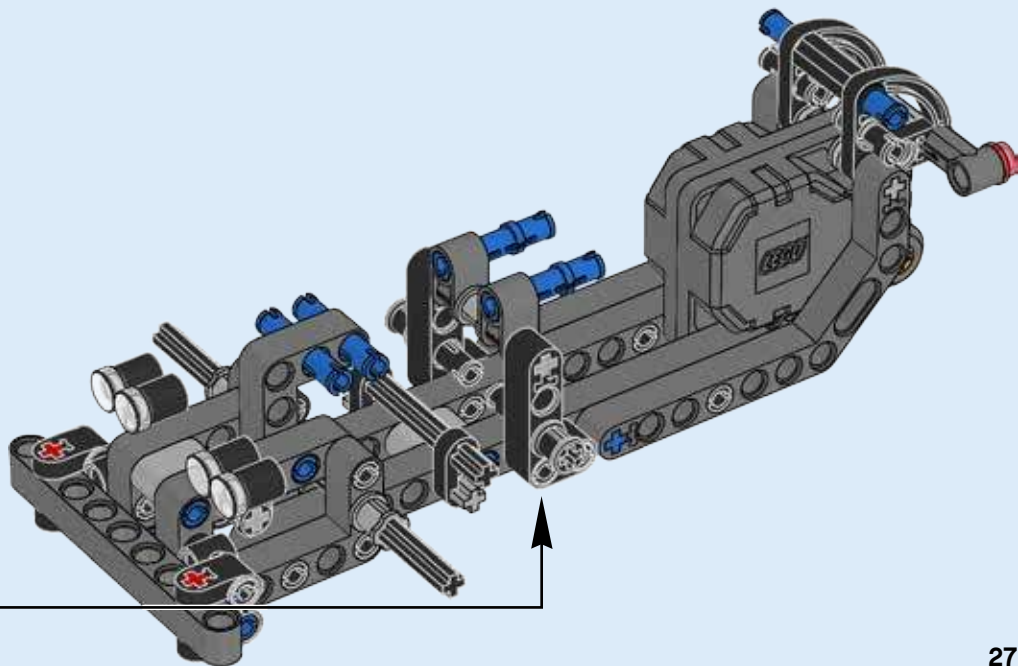
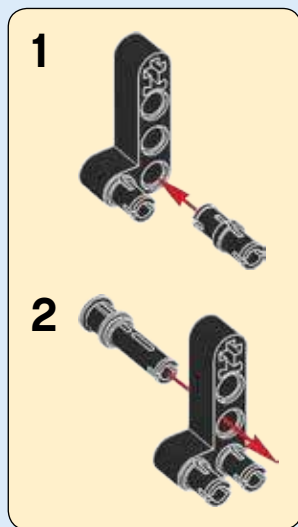


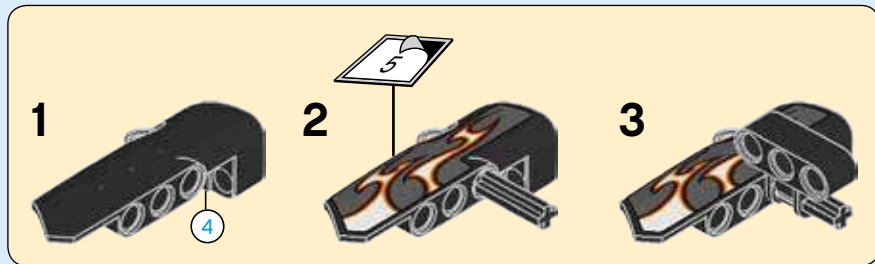
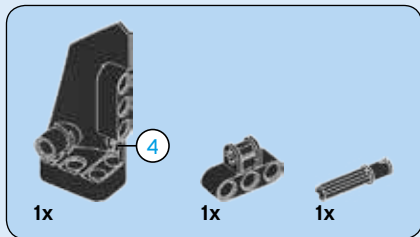
28



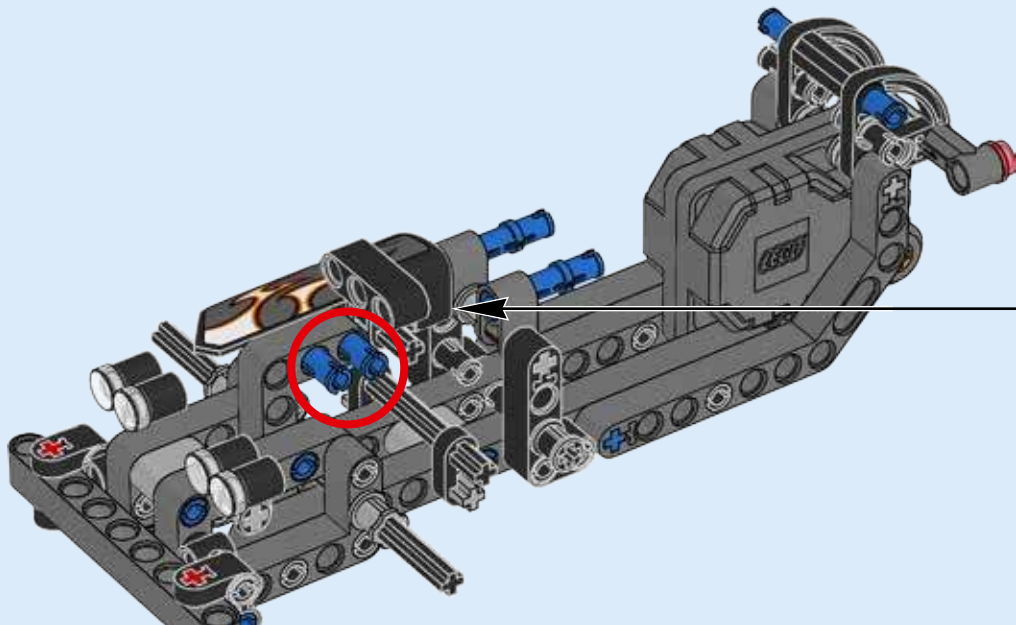


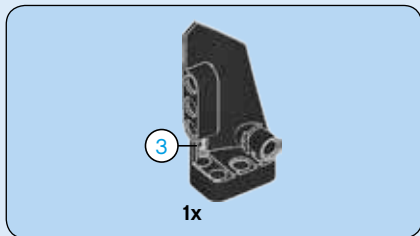
29



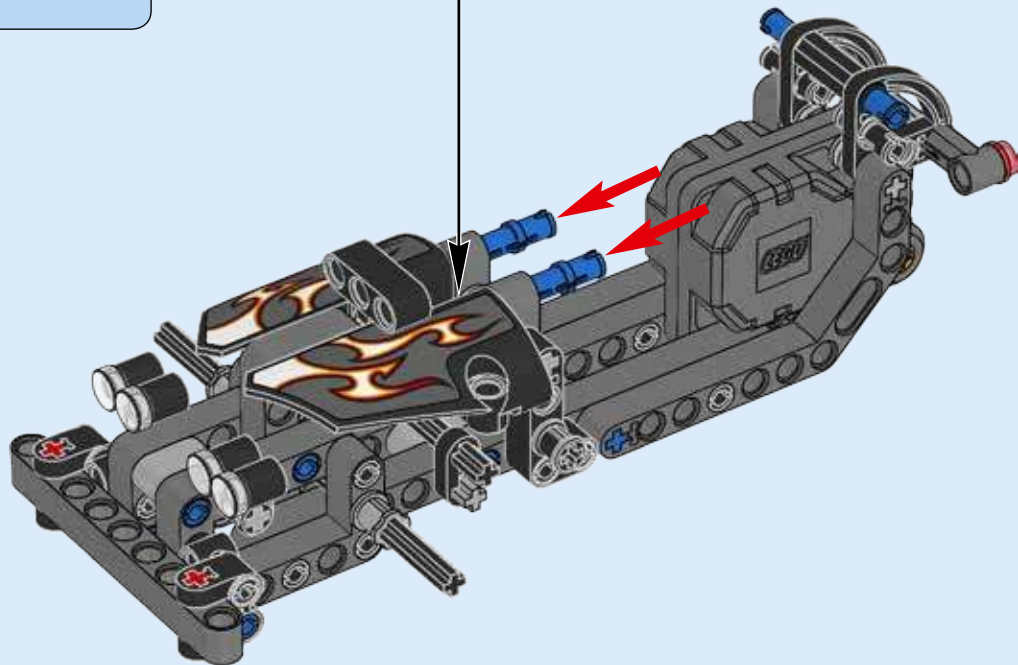


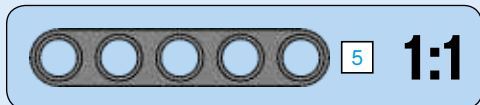
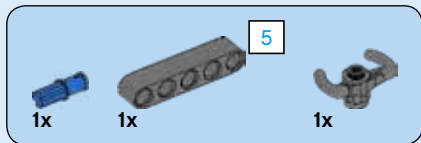
30



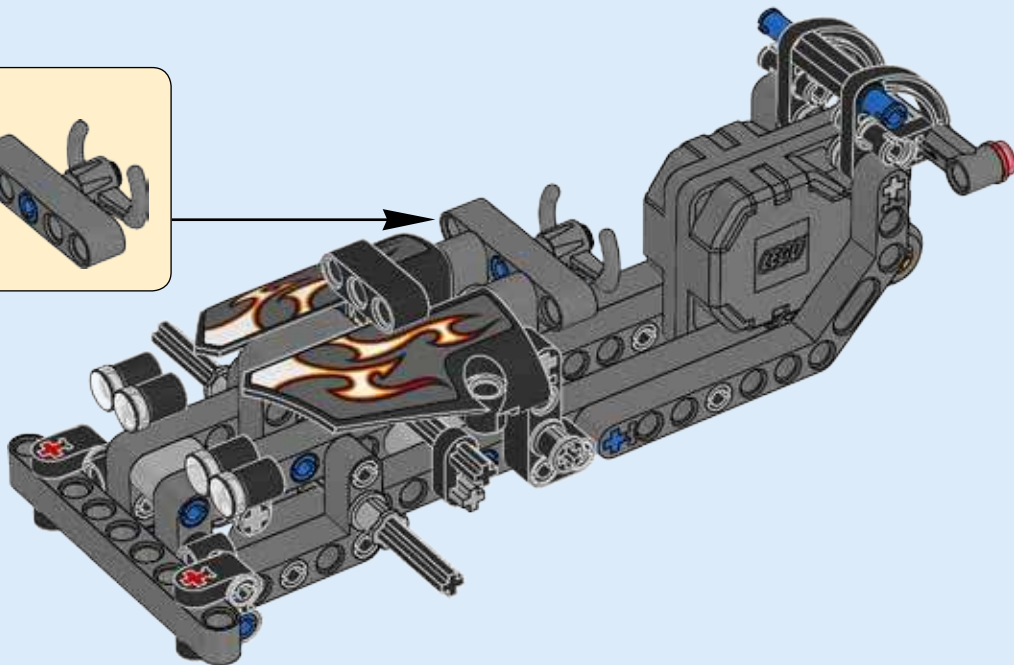
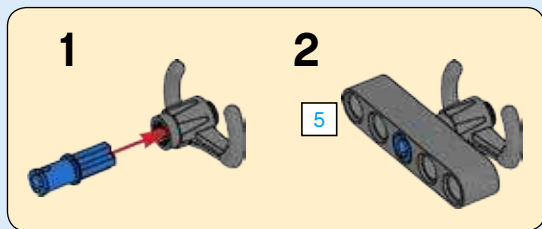


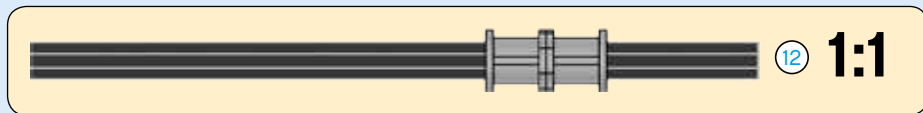
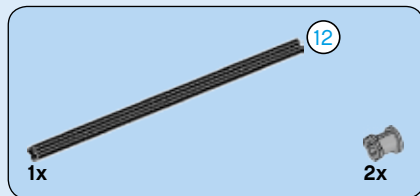
31



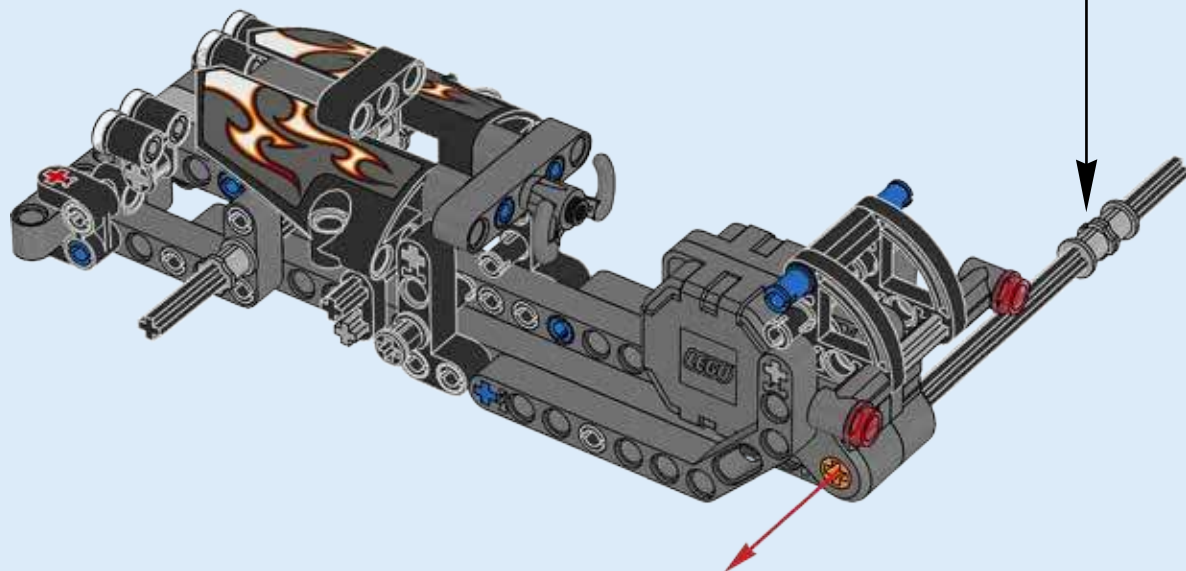


32





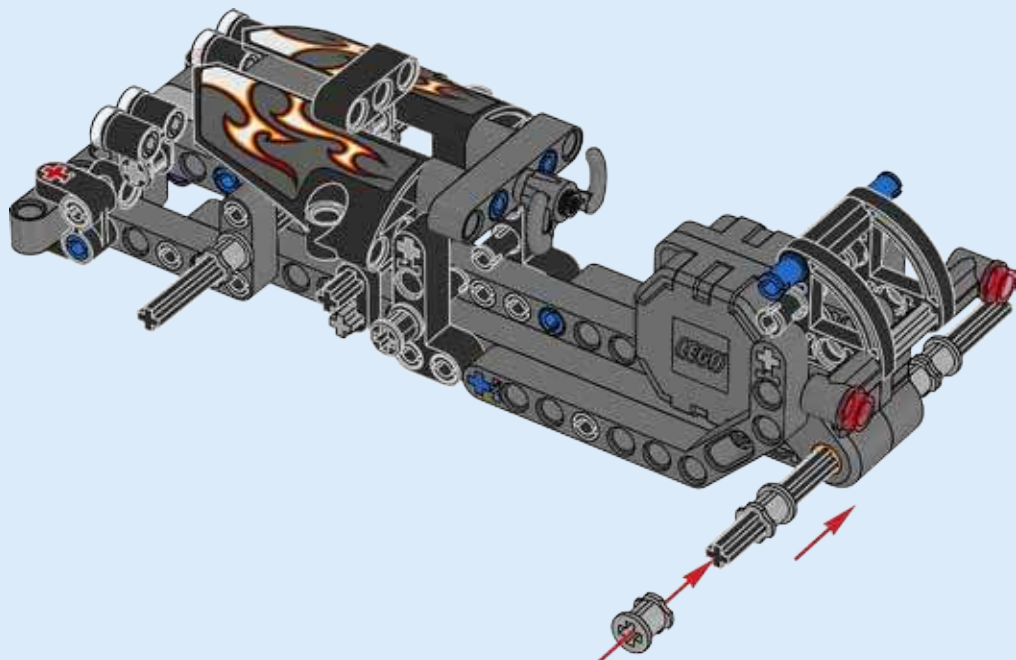
33



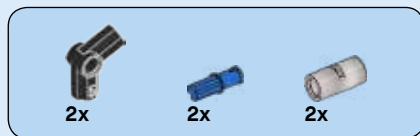


2x

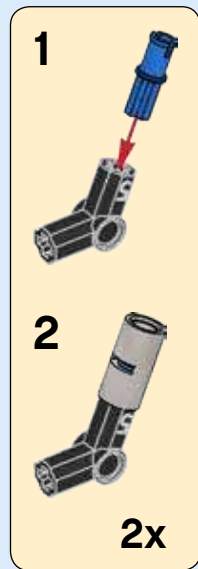
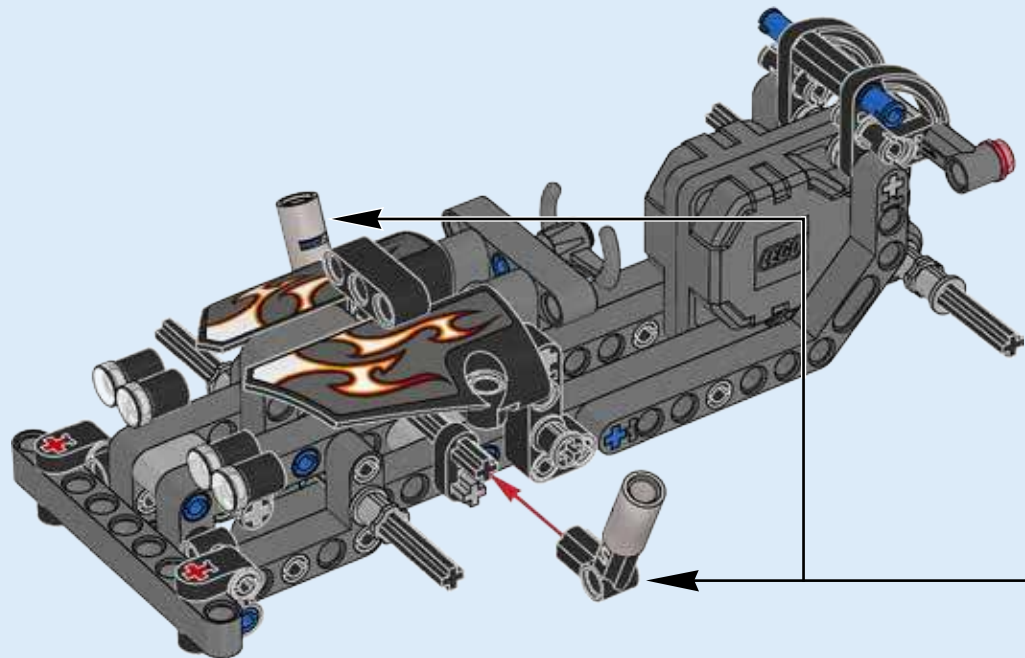
34

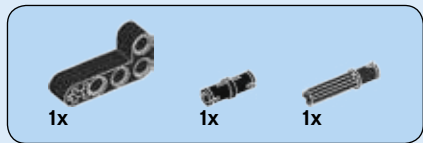


32

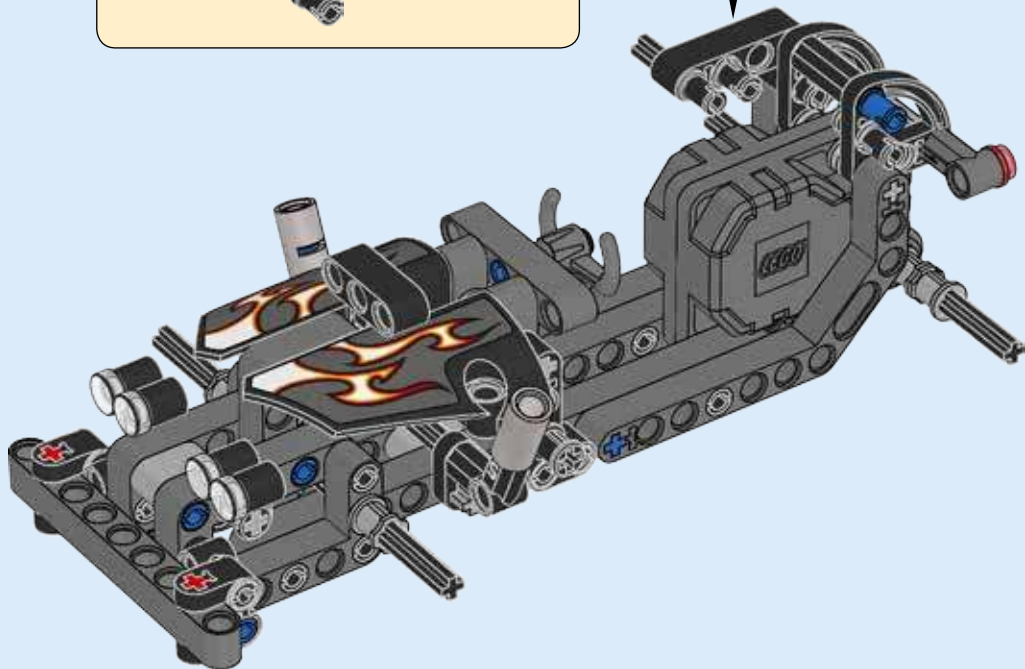
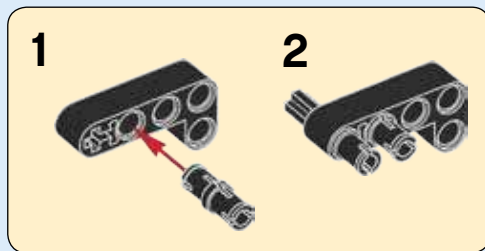


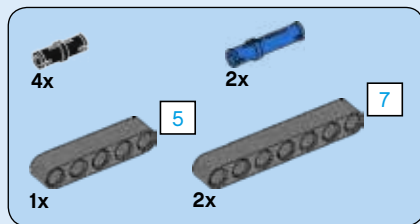
35



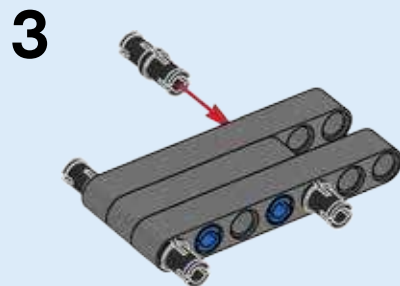
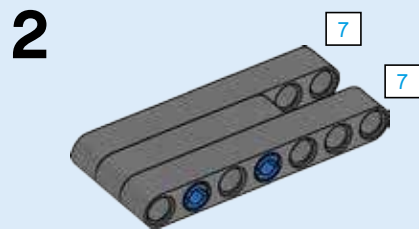
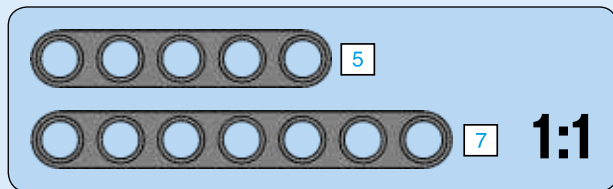
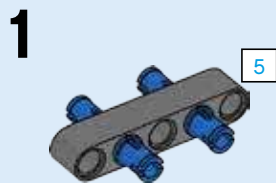


36

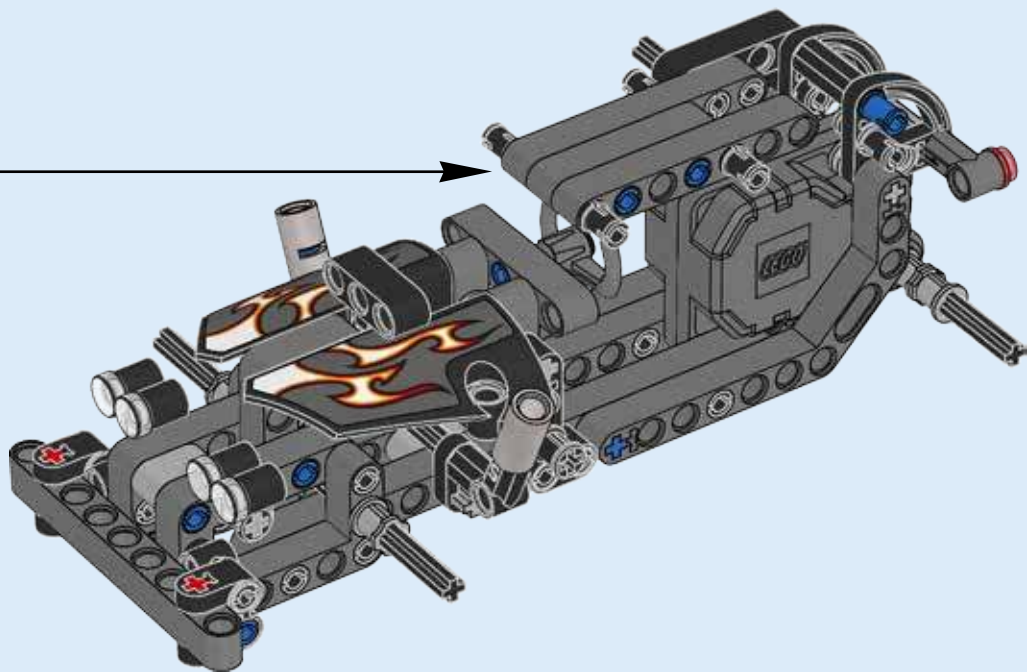


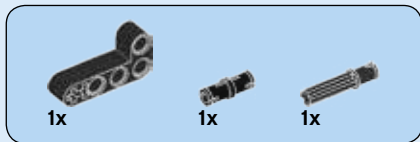


37

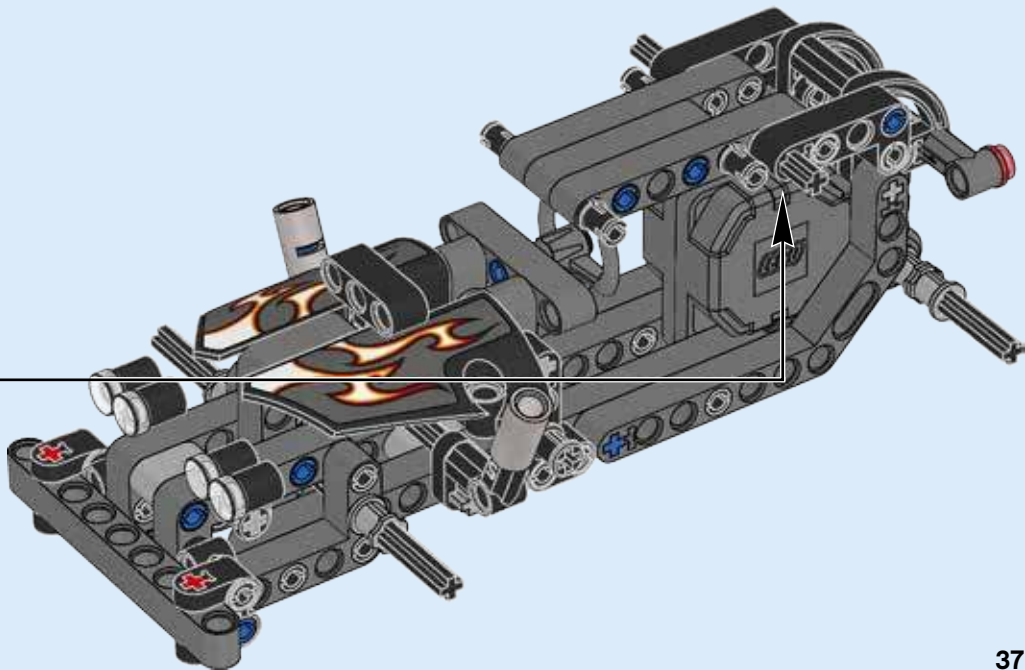
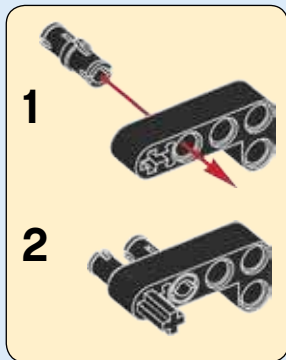


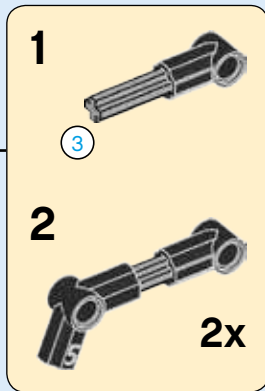
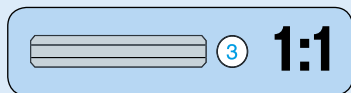
38



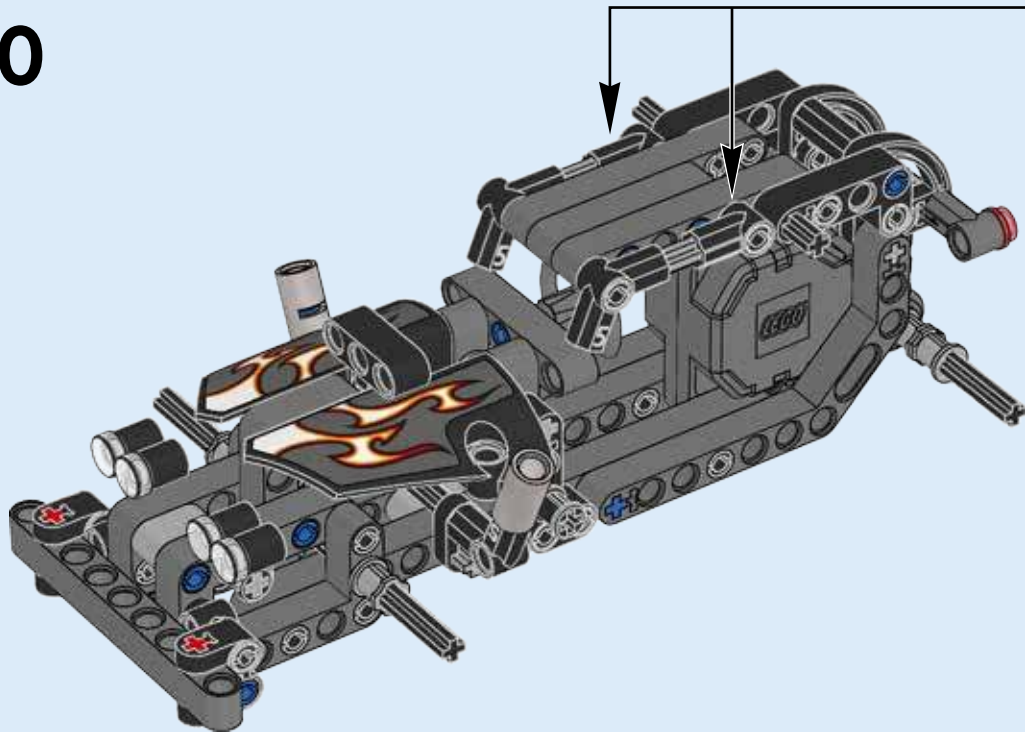


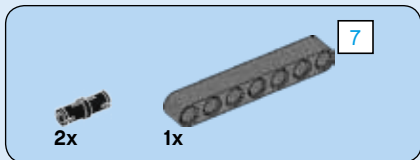
39



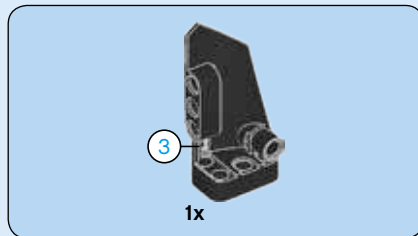
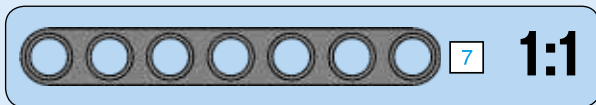
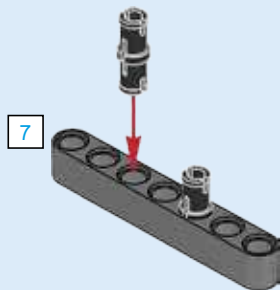


40

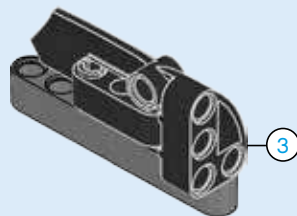




41



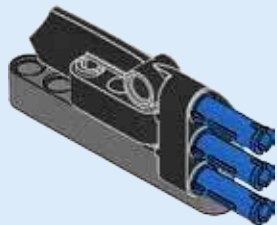
42





3x

43



40

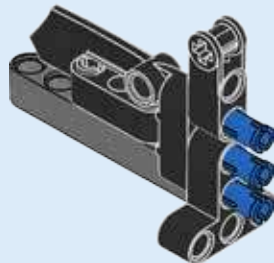


1x



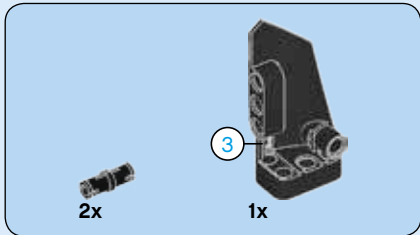
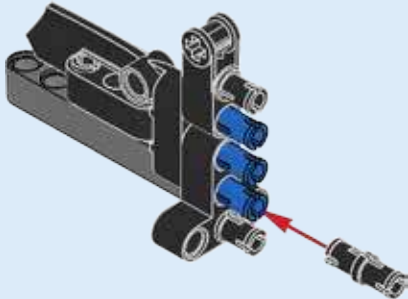
1x

44

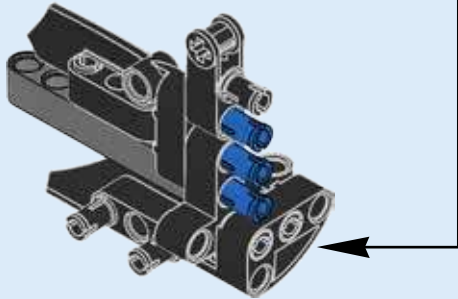
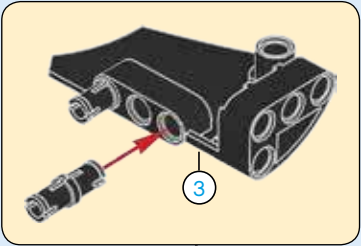


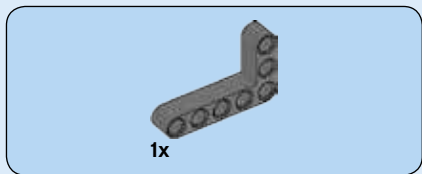


45



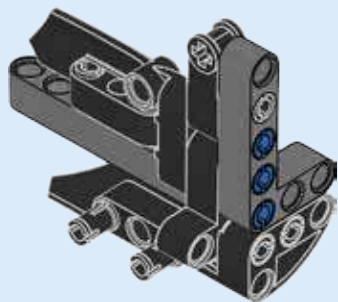
46





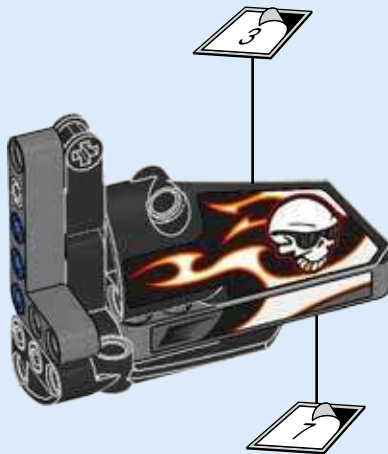
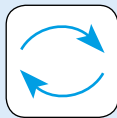
1x

47

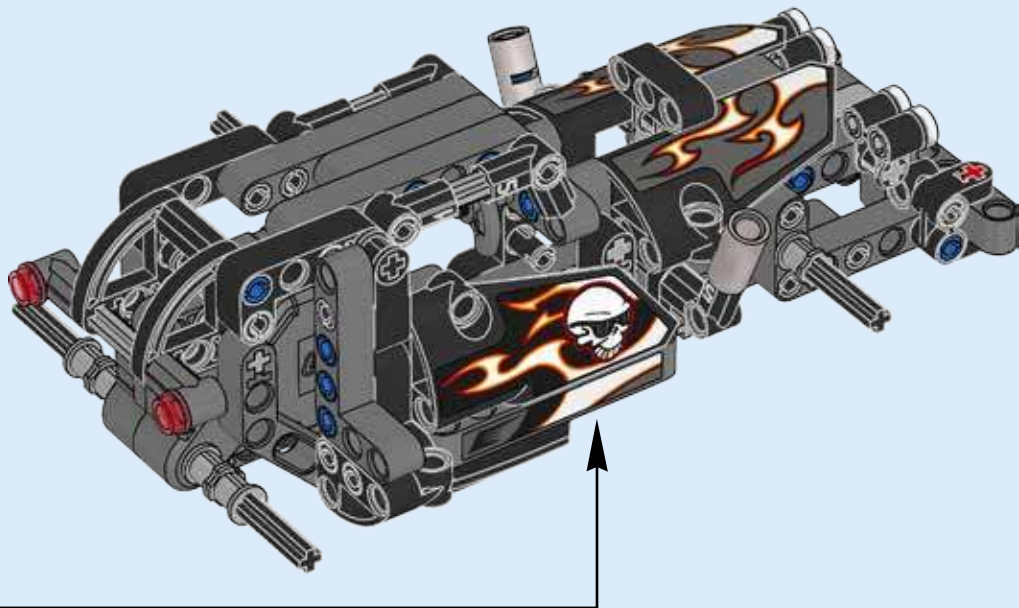
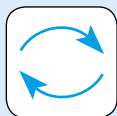


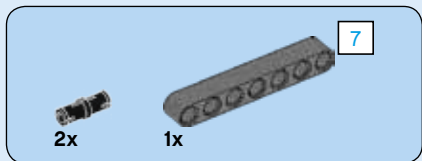
42

48

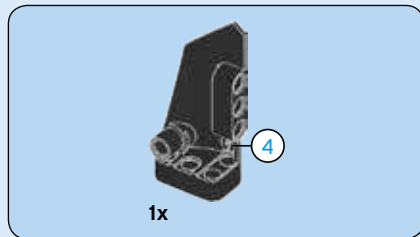
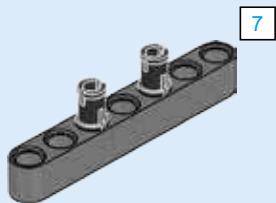


49

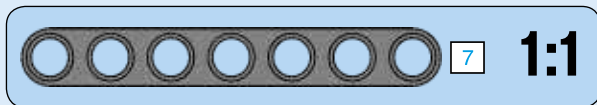
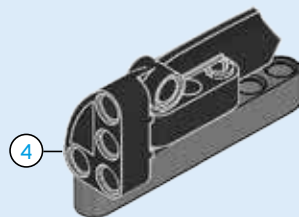




50



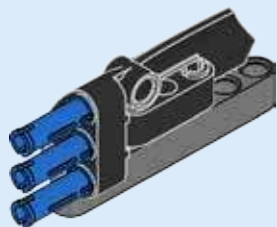
51





3x

52

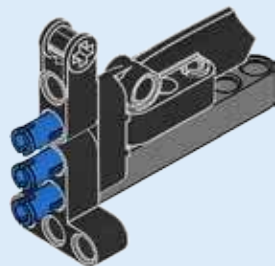


1x



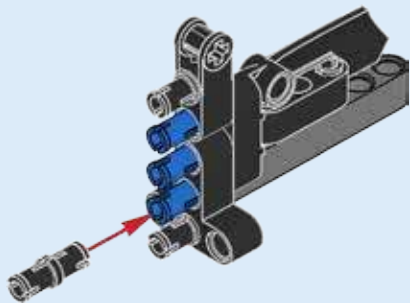
1x

53

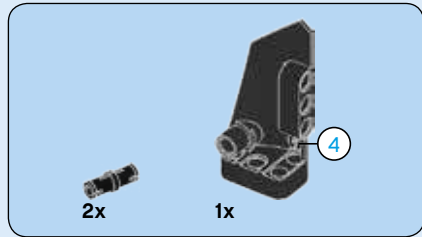




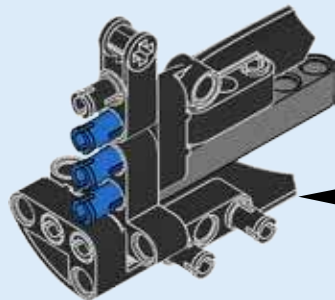
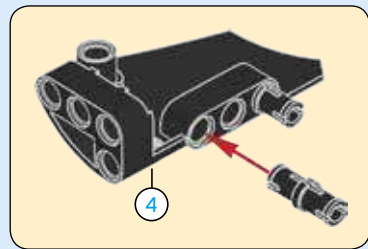
54

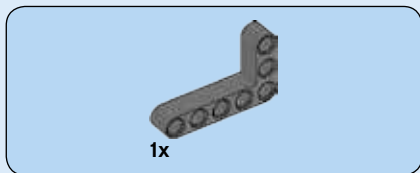


46

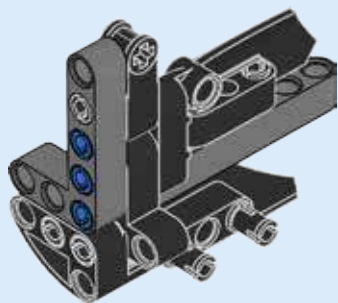


55

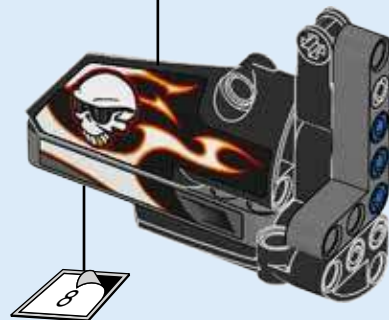
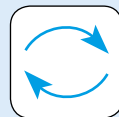




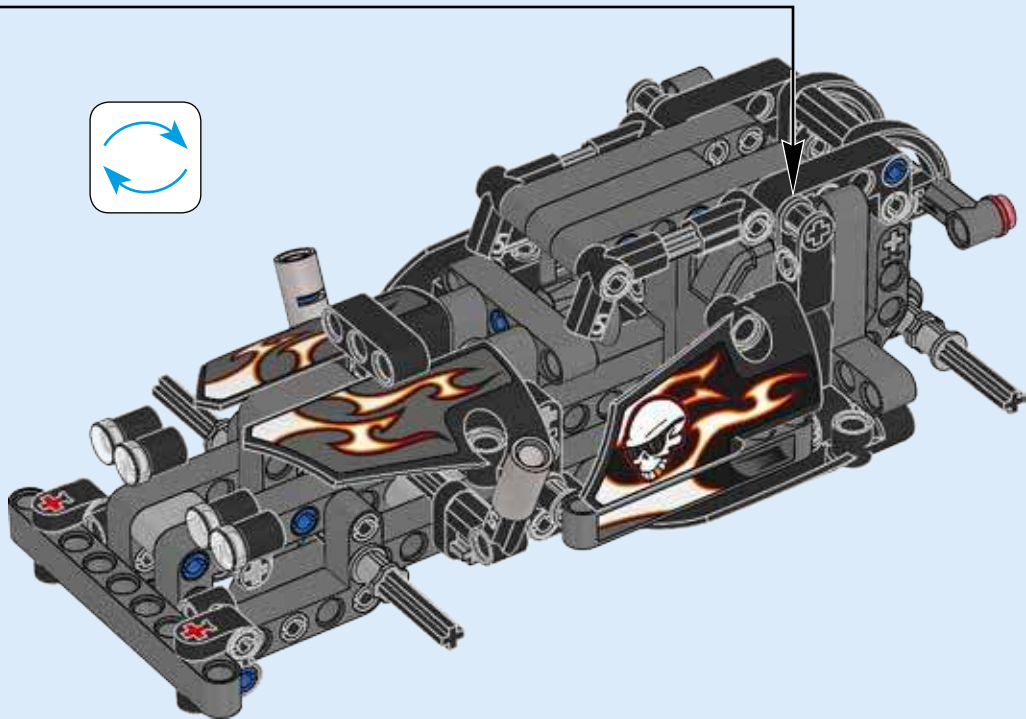
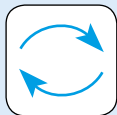
56



57

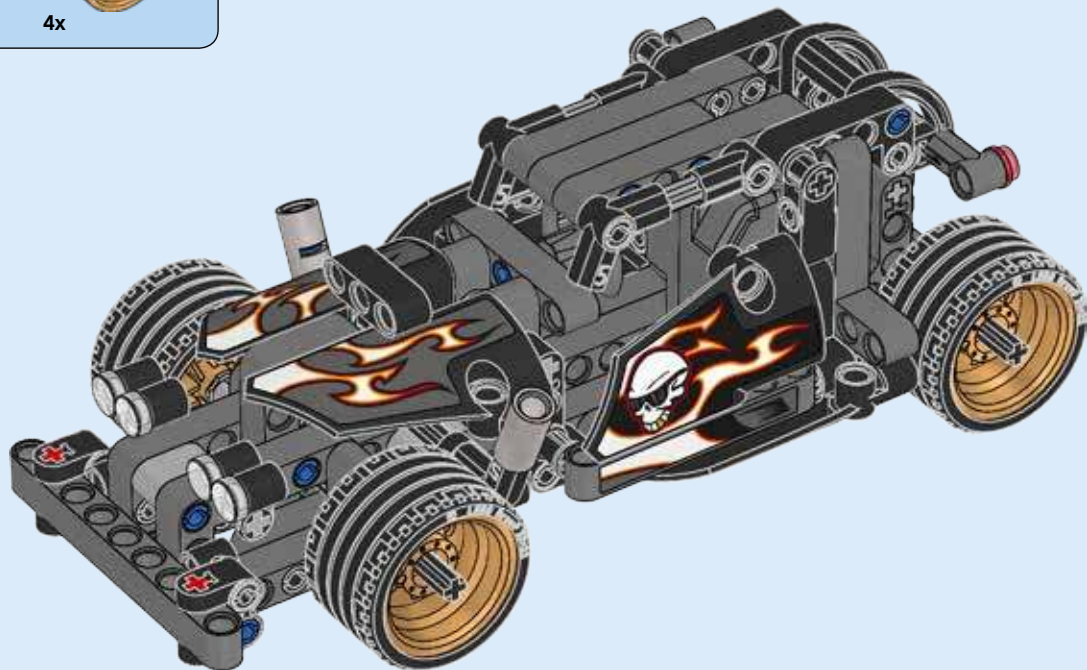


58



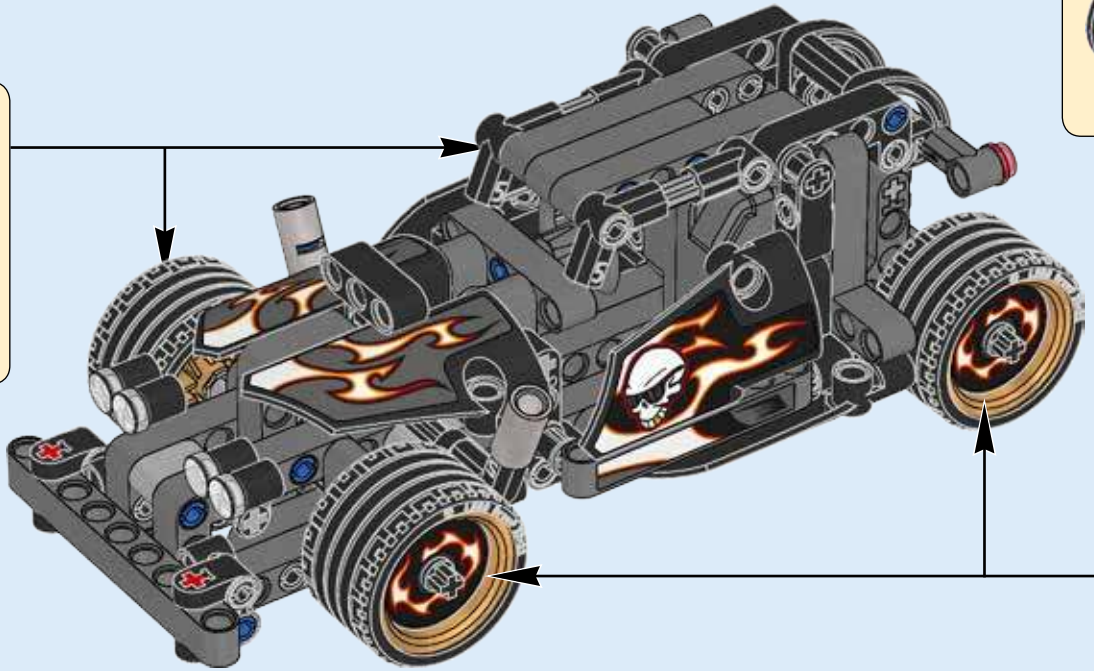


59





60



2x
4142865

7x
4206482

20x
4514553

2x
4560174

2x
4107085

2x
4164133

34x
4121715

4x
4107084

2x
4162857

2x
4140430

4x
4218868

2x
4505842

2x
4173970

3x
6089119

2x
4140801

2x
4552347

1x
6007966

1x
4512363

3x
4541924

3x
4541325

4x
4120017

4x
4499234

1x
370626

2x
370826

4x
4650498
2x
3005741

1x
6143751

2x
4211573

4x
4211483

7x
4211622

2x
6004888

2x
4211815

5x
4211639

2x
4210658

2x
4210851
1x
6082043

7x
4210753

2x
4210686

4x
4648531

2x
6054858

4x
4495931

1x
4645730

2x
4210668

2x
4542576

Customer Service
Kundenservice
Service Consommateurs
Servicio Al Consumidor

LEGO.com/service or dial



: 00800 5346 5555

: 1-800-422-5346



LEGO *TECHNIC*



42046

+



42047





42046



42047



TECHNIC

42048



42044



42045





42049

LEGO® Building Instructions



Google Play is a trademark of Google Inc.
Google Play est une marque de commerce de Google Inc.
Google Play es una marca comercial de Google Inc.

Apple, the Apple logo, iPad, iPhone and iPod touch are trademarks of Apple Inc.
Apple, le logo Apple, iPad, iPhone et iPod touch sont des marques de commerce d'Apple Inc.
Apple, el logotipo de Apple, iPad, iPhone e iPod touch son marcas comerciales de Apple Inc.

