

AREBOS

Folding table

AR-HE-KT180



Please follow all security measures in this user's manual to ensure a secure use.

Thank you for trusting in AREBOS.

List of contents

1. Safety instructions	3
2. Assembly	4
3. Technical specifications.....	6
4. Cleaning and storage.....	6
5. Disposal instruction	6
5.1 Disposal of the packaging.....	6
5.2 Disposal of waste equipment.....	6

Please read and save these instructions. Read through this user's manual carefully before using this product. Protect yourself and others by observing all safety information, warnings and cautions. Failure to comply with instructions could result in personal injury and/or damage to product or property. Please retain instructions for future reference.

1. Safety instructions

- **Risk of damage!**

If you open the packaging carelessly with a sharp knife or other pointed objects, the folding table can be quickly damaged.

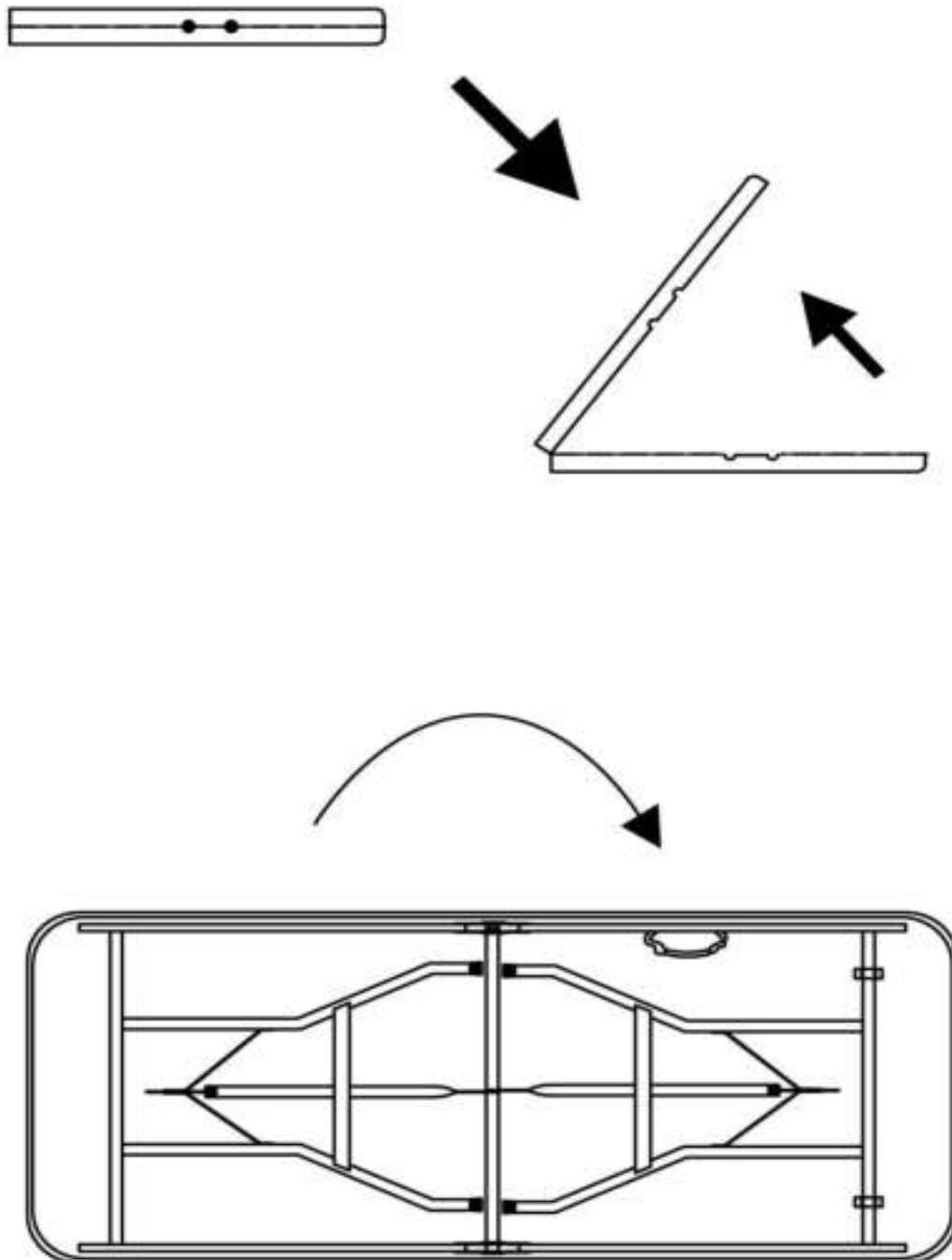
Therefore, be very careful when opening.

- Check whether the delivery is complete.
- Remove the folding table from the packaging and check whether the folding table or the individual parts are damaged. If this is the case, do not use the folding table. Contact the manufacturer.

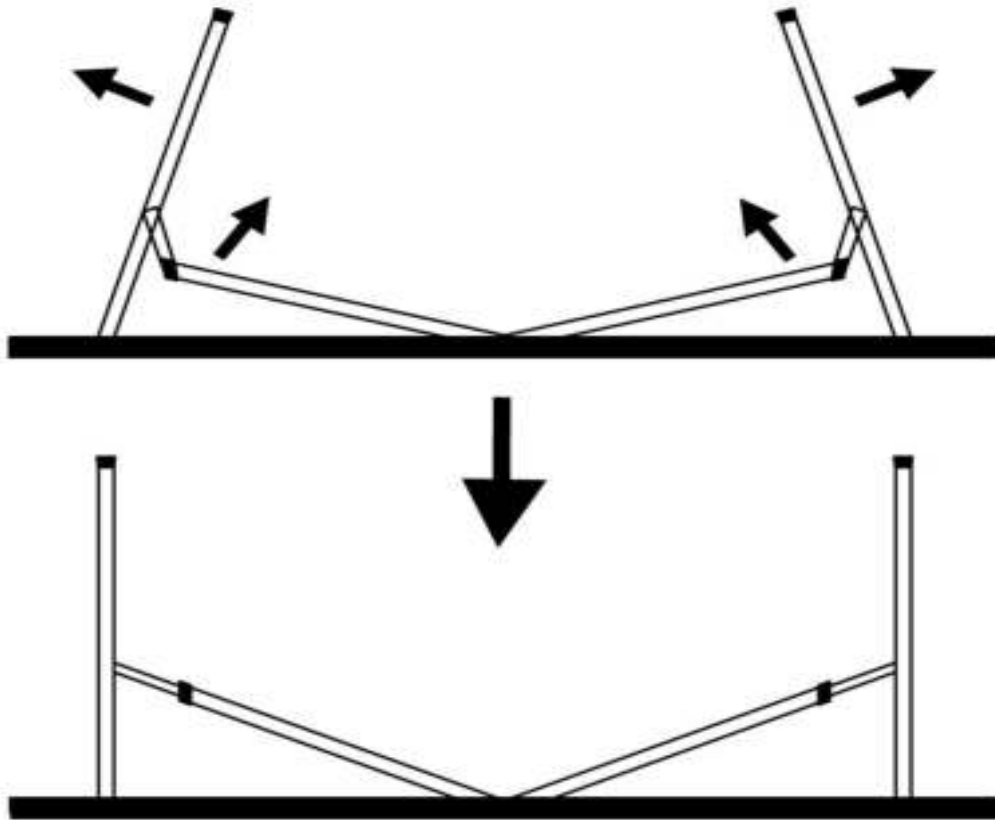
- Please read the following instructions carefully before using the article.
- Please keep these operating instructions.
- Keep children and animals away when opening/closing the folding table.
- The folding table is suitable for use in the garden and living area.
- No liability is assumed for damage caused by improper use or non-observance of these safety instructions.
- The table may only be mounted by adults.
- Never leave a child unattended near the table.
- Please note that this product is intended for private use only.
- Only place the table on flat surfaces and use it only as intended for the intended application area. The table is not suitable as a "seat", "Step ladder" or "standing surface". Do not climb or jump on the table. In case of improper use there is a risk of breakage of the table top and therefore risk of injury.
- Keep all packaging out of the reach of children in order to avoid choking hazards.
- Before use, make sure that all metal locking rings are engaged.
- Do not place high temperature objects directly on the table.
- All components must be kept away from open fire.
- Do not grind the folding table with abrasive objects or products.
- Do not burn the folding table.
- Before use, make sure that the table has a stable stand and stability.

2. Assembly

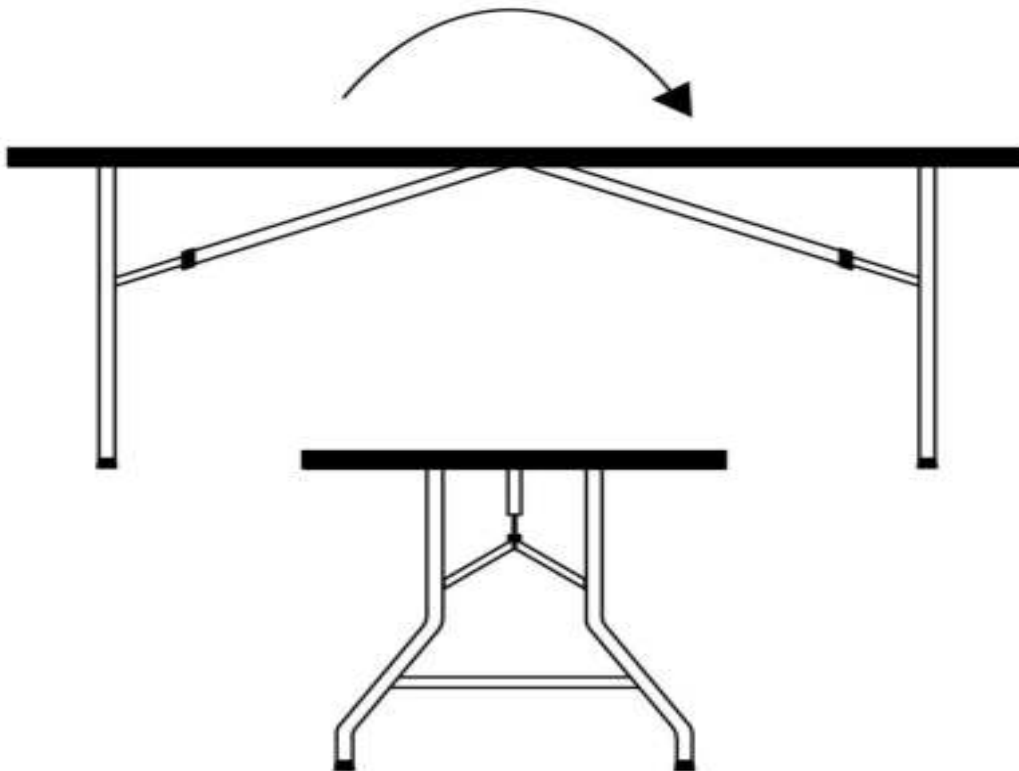
- Remove the folding table from the packaging. This is delivered folded, so please place it with the table top downwards on a clean and soft surface (e.g. a rug and/or carpet), which avoids scratches on the table top. Please expand the table (see pictures).



- Then pull the table legs vertically up to the stop.



- Turn the table now. Make sure that the table is on a solid base.



3. Technical specifications

Model	AR-HE-KT180
Max. Capacity	331 lbs (150 kg)
Dimensions (L x W x H)	70.9 x 29.5 x 29.1 in (180 x 75 x 74 cm)
Material	Plastic
Thickness Lying area	1.58 in (4 cm)
Colour	White
Weight	26.5 lbs (12 kg)

4. Cleaning and storage

- Protect the folding table from moisture and heat when not in use.
- Surface cleaning only with a sponge and soapy water and then let the table dry. Do not use solvent-containing, alkaline or acidic cleaners. Do not use a steam radiator for cleaning.
- Do not dry directly in the sun.
- Place the table in a protected location in case of bad weather conditions such as storm or hail.
- Clean the table before depositing, let it dry. Store the table in a cool and dry place.

5. Disposal instruction

5.1 Disposal of the packaging

- Please make reference to the guidelines and standards for appropriate disposal of the packaging valid in your region. In part, the package may consist of plastic bags - watch this respect, with special care to ensure that this is not out of the reach of children. There is a risk of suffocation!

5.2 Disposal of waste equipment

- Equipment must be disposed of in accordance with the rules and regulations of the local waste disposal.
- At the end of the long life of your article, please dispose of the valuable raw materials for proper disposal so that proper recycling can take place. If you are not sure how to proceed, the local waste disposal companies or recycling centers are happy to help.

Our customer service number: +49 (0) 931-45232700

Imprint

Name of the product: Folding table
Model Nr.: AR-HE-KT180
Art. Nr.: 4260551586682

If the product has any modification not allowed by us, this declaration loses its validity.

Tested acc. to:
EU Standard:
DIN EN 581-1:2017
DIN EN 581-3:2017
DIN EN 1730:2013

Date/Manufacturer Signature/Location:

Würzburg, 13.03.2019



Identification of the signatory:
Korhan Canbolat, head of the company

Authorised representative for the technical documentation:
Korhan Canbolat

Office address:
Canbolat Vertriebs GmbH
Gneisenaustraße 10-11
D-97074 Würzburg

Return address can be found in the imprint: <https://www.arebos.de/impressum/>

VAT identification number: DE 263752326
Court of the Commercial Register is Würzburg, HRB 10082
WEEE Reg.-No. DE 61617071