

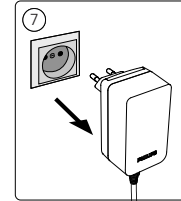
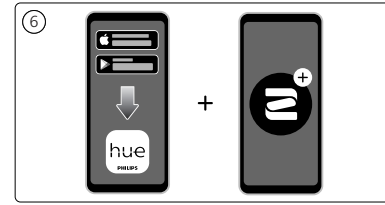
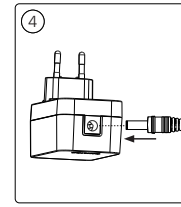
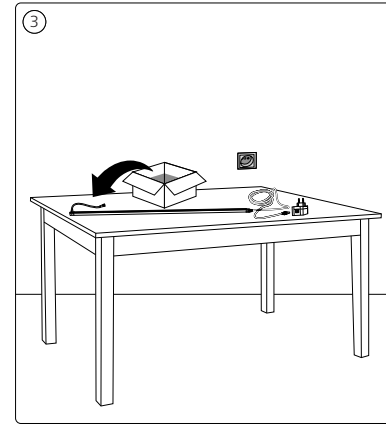
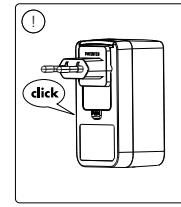
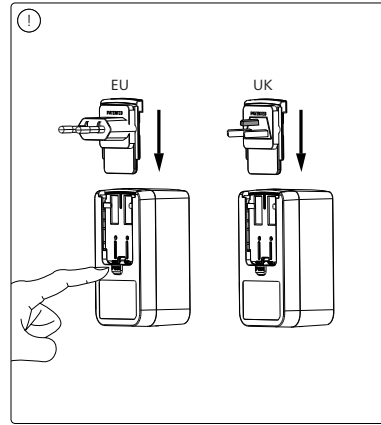
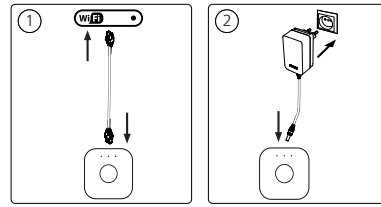
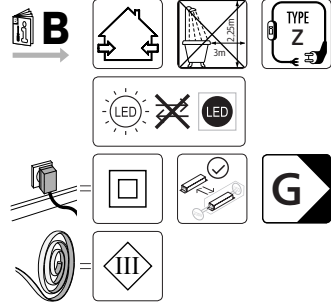
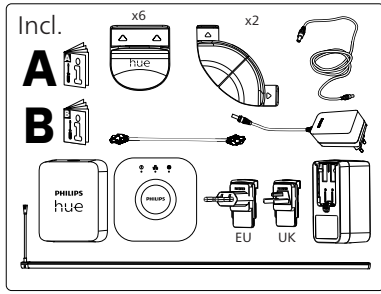
PHILIPS

hue personal wireless lighting

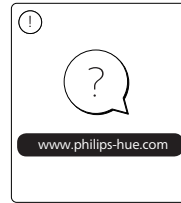
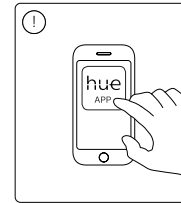
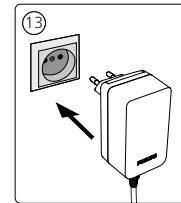
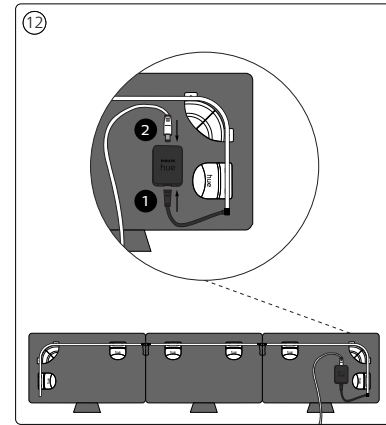
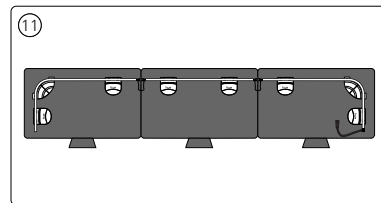
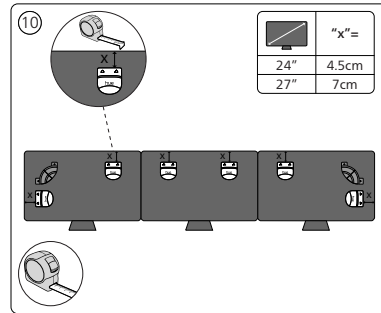
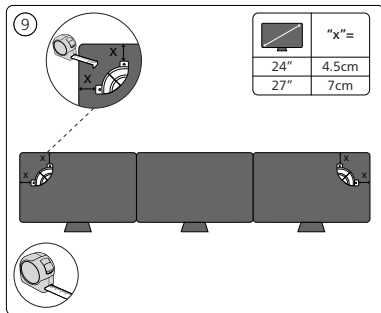
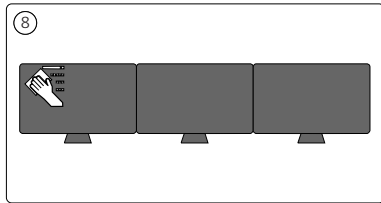
Lightstrip
24"/27" monitor 3x
Starter kit



HUE serial number



User manual
Benutzerhandbuch
Notice d'emploi
Manual de usuario
Manual do usuário
Manuale d'uso



Signify
I.B.R.S. / C.C.R.I. Numéro 10461
5600 VB Eindhoven,
the Netherlands
000800-74454775

www.philips-hue.com

32226 391 0212
Last update: 03/2022

© 2022 Signify Holding
All rights reserved