

Handleiding SAJAN

Loopfiets met Luchtbanden



Safety Information

Warning!

- **ONLY** use this product in accordance with all applicable local and national laws and regulations, including for the use of helmets and other personal protective equipment.
- This bicycle should be ridden only by one child at one time.
- **ALWAYS** ensure all fasteners and components are intact and securely tightened before each use.
- **DO NOT** allow your child to ride this bicycle if it is damaged or malfunctions. Repair or replace worn or broken parts before further use.
- **DO NOT** load this bicycle with more than 65 pounds (30 kg).
- **DO NOT** leave your child riding this bicycle alone without close supervision.
- **DO NOT** allow your child to ride this bicycle barefoot or in loose footwear.
- **DO NOT** allow your child to ride this bicycle in any place where balance bicycles are forbidden (such as motorways, elevators, and escalators) or in any place exposing them to danger (such as fenceless precipices).
- **DO NOT** allow your child to ride this bicycle on slippery, uneven, or steep surfaces.
- **DO NOT** allow your child to ride this bicycle in conditions with poor visibility.
- **ALWAYS** be alert for people, animals, and any other obstacles that might appear in front of your child during use. Remind your child to leave room to be able to turn safely out of their way if needed. For best results, avoid crowded areas.
- **ALWAYS** remind your child to keep balance during use, never putting all of their weight on either side or trying to reach an object on the ground while sitting on this bicycle.
- **DO NOT** allow your child to touch any moving part of the bicycle when it is in motion.
- Store this bicycle out of the reach of your child after use.

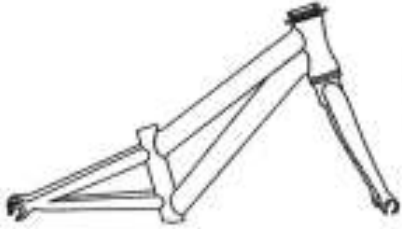










Specifications

Overall Dimensions	37 × 16 × 25.6–26.4 in. (95 × 40 × 65–67 cm)
Seat Height	15–18 in. (39–45 cm)
Wheel Diameter	14 in. (35.5 cm)
Weight Capacity	65 lb. (30 kg)
Net Weight	10 lb. (4.5 kg)

Product Diagram

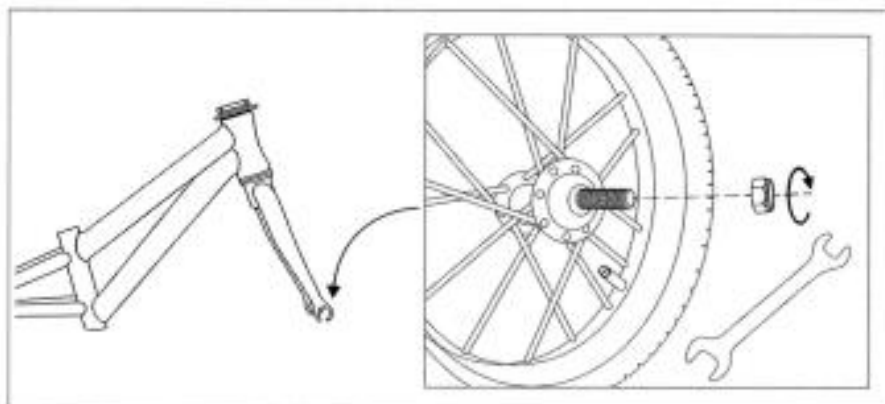


Parts Diagram

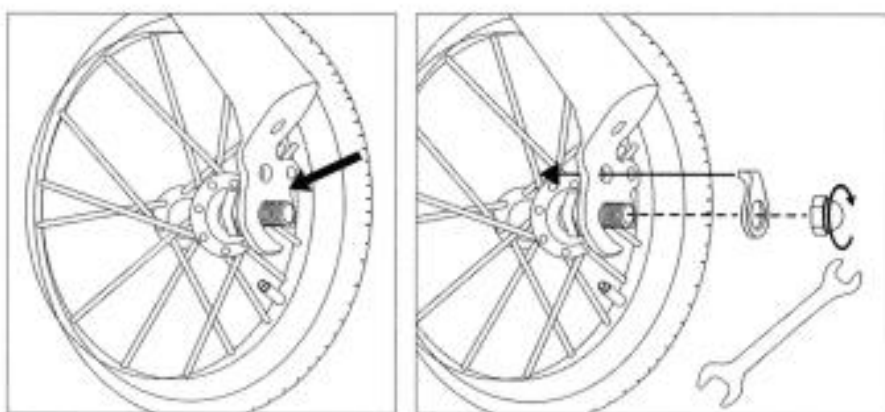
<p>A Main Frame</p>  <p>x 1</p>	<p>B Seat</p>  <p>x 1</p>	<p>C Wheels</p>  <p>x 2</p>
<p>D Handlebar</p>  <p>x 1</p>		<p>F Clamp</p>  <p>x 1</p>
<p>G Locking Plates</p>  <p>x 4</p>	<p>H Nuts</p>  <p>x 4</p>	<p>I Caps</p>  <p>x 4</p>
<p>J Wrench</p>  <p>x 1</p>	<p>K 6mm Hex Wrench</p>  <p>x 1</p>	<p>L 5mm Hex Wrench</p>  <p>x 1</p>

Assembly

1. Attach one nut (H) to each end of the axle of one wheel (C) and screw it into place using the wrench (J). Fit the wheel into the fork of the main frame (A).



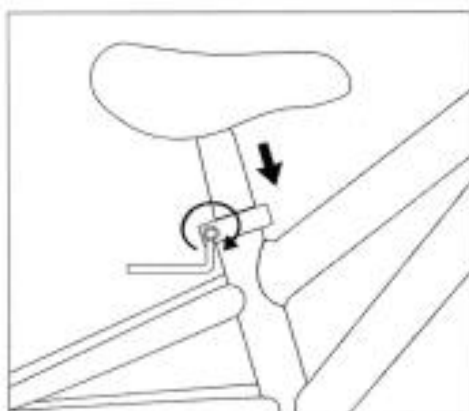
2. Secure the front wheel in place using one locking plate (G) at each side. Attach one cap (I) to each plate by screwing them down using the wrench.



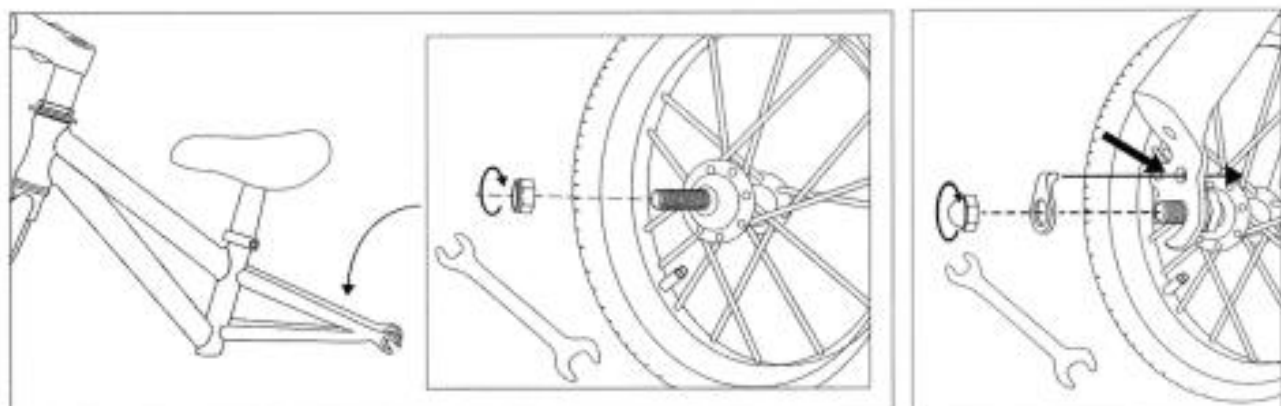
3. Attach the handlebar (D) to the main frame and press it until your desired position is reached. To secure the handlebar, tighten its locking bolt on the top using the 6mm hex wrench (K).



4. Make sure the clamp (F) is open and attach it to the main frame. Insert the seat post into the clamp and press the seat (B) until your desired position is reached. To secure the seat post, close the clamp and tighten its locking bolt using the 5mm hex wrench (L).



5. Install the other wheel onto the rear of the main frame and secure it using the rest of the nuts, locking plates, and caps with the wrench in the same fashion as above.



6. To use the basket (E), wrap its straps around the handlebar and secure them using the attached buckles.



Maintenance

- The exterior of this bicycle should be cleaned periodically with a soft damp cloth. **DO NOT** use abrasive cleaners or caustic chemicals.
- Check the parts for any looseness, wear, or damage periodically. Tighten, repair, or replace any problematic parts before further use.
- If your bicycle will not be used for a long period of time, store it in a cool, dry, and safe place. Keep it out of your child's reach to avoid use without adult supervision.

Contact Us

Thank you for choosing our products! If you have any questions or comments, contact us at help@cs-supportpro.com and we'll resolve your issue ASAP!