

bodum®

11001

# BISTRO

# BISTRO

POUR OVER COFFEE MACHINE  
AUFBRÜH-KAFFEEMASCHINE  
CAFETIÈRE FILTRE AUTOMATIQUE  
KAFFEBRYGGER MED OVERHÆLDNING  
CAFETERA DE FILTRO  
CAFFETTIERA AUTOMATICA PER INFUSIONE  
FILTER-KOFFIEZETAPPARAAT  
AUTOMATISK STRILKAFFEBRYGGARE  
CAFETEIRA COM FILTRO  
KAHVINKIETIN POUR OVER -TEKNIKALLA  
КАПЕЛЬНАЯ КОФЕВАРКА



Instruction for use  
**ENGLISH**

Gebrauchsanweisung  
**DEUTSCH**

Mode d'emploi  
**FRANÇAIS**

Brugsanvisning  
**DANSK**

Instrucciones de uso  
**ESPAÑOL**

Istruzioni per l'uso  
**ITALIANO**

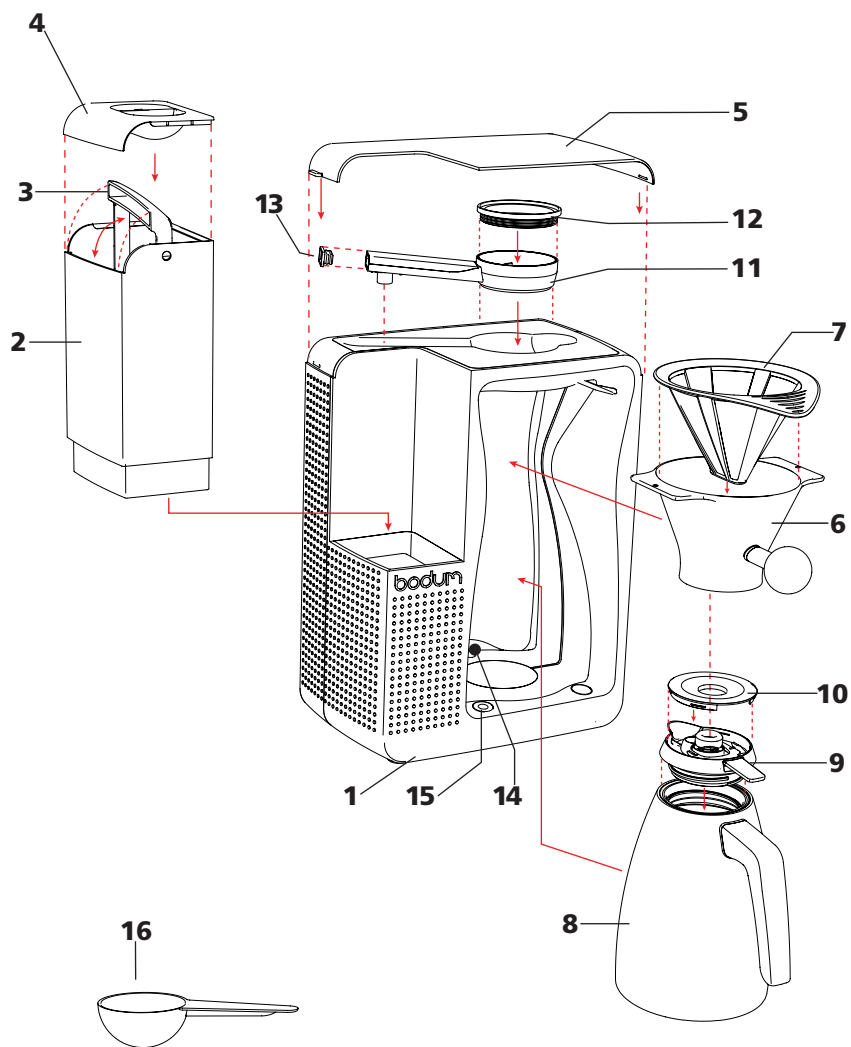
Gebruiksaanwijzing  
**NEDERLANDS**

Bruksanvisning  
**SVENSKA**

Manual de Instruções  
**PORTUGUÊS**

Käyttöohje  
**SUOMI**

РУКОВОДСТВО ПО ЭКСПЛУАТАЦИИ  
**РУССКИЙ**



## Welcome to BODUM®

***Congratulations! You are the proud owner of a BISTRO pour over coffee machine from BODUM®. Read through these instructions carefully before you use the pour over coffee machine.***

## IMPORTANT SAFETY INSTRUCTIONS

- Read all of the information before you use the appliance for the first time. Failure to adhere to the instructions and safety information may lead to hazardous situations.
- After unpacking the appliance check it for damage. If you are unsure as to whether the appliance is damaged, do not use it and instead contact your dealer.
- Keep the packaging material (cardboard, plastic bag, etc) out of reach of children (risk of suffocation or injury).
- Do not use appliance other than intended use.
- This pour over coffee machine is designed for indoor domestic use only. Do not use it outdoors.
- Do not place the appliance on or in close proximity to a hot gas or electric hob that is switched on, or in a preheated oven.
- The manufacturer shall not be responsible for damage or injuries that arise as a result of misuse or unintended use. Use the appliance exclusively for the purpose intended.
- Do not allow children to play with the appliance.
- When using the appliance in close proximity to children or persons who are unfamiliar with it ensure close supervision at all times.
- This appliance must not be used by persons (including children) who are restricted in terms of their physical, sensory or mental faculties or who lack the requisite experience or knowledge, unless such persons receive instructions regarding its use from a person who is responsible for their safety and who supervises them whilst using the appliance. Children must be supervised, in order to ensure that they do not play with the appliance.
- Do not allow the appliance to come into contact with damp or wet hands. Do not touch the mains cable or the plug with wet hands.
- Do not touch any hot surfaces. Hold the thermos jug and the filter holder by the handle only.
- Do not use any accessories that have not been recommended by the appliance manufacturer. This can lead to fires, electric shocks or injuries.
- For USA - Canada: This appliances has a polarized plug (one blade is wider than the other). To reduce the risk of electric shock, this plug will fit in a polarized outlet only one way. If the plug does not fit fully in the outlet, reverse the plug. If it still does not fit, contact a qualified electrician. Do not modify the plug in any way.
- The appliance must not be switched on without water.
- Do not fill the water tank (2) above the MAX line.

- The appliance must never be switched on without the coffee shower (11) and filter holder (6).
- Avoid contact with the steam that is generated during the brewing process. Otherwise there is a risk of scalding.
- Scalding may occur if the lid is removed during the brewing cycles.
- Boiling water can cause burns.
- Ensure that the ON/OFF button (15) remains easily accessible at all times.
- CAUTION: To prevent damage to the appliance do not use alkaline cleaning agents when cleaning use a soft cloth and a mild detergent.
- Never immerse the appliance in water. Remember that this is an electrical appliance.
- Only clean the housing (1) with a damp cloth.
- Push the ON/OFF button (15) and pull the plug out of the socket in order to switch the appliance off.
- Always apply pressure to the plug rather than the cable when unplugging the appliance from the mains.
- Do not allow the power cable to hang over the edges of tables or worktops or permit it to come into contact with hot surfaces.
- Unplug the plug from the socket if the coffee machine is not in use or prior to cleaning it. Allow the appliance to cool prior to cleaning it before putting on or taking off parts.
- Never put an electrical appliance into operation if the power cable or plug is damaged, after malfunctions have occurred or if the appliance itself has been damaged in any way. In such instances take the appliance to the nearest authorized service center for inspection, repairs or adjustment.
- Never attempt to replace the power cable on the appliance. Special tools are required for this purpose. Only have the appliance repaired or the power cable exchanged by a service center approved by the manufacturer, in order to ensure that the appliance remains safe.
- Do not immerse the cable, plug or appliance in water or other liquids because this may cause a fire, electric shock or injuries.
- Ensure that the surface upon which the appliance is placed is dry prior to use.
- Always put the housing lid (5), filter holder (6) and coffee filter (7) on the appliance during operation.

## INSTALLATION

- Place the appliance on a stable, level surface that is neither hot nor in close proximity to a source of heat. The surface must be dry. Keep the appliance and the power cable out of the reach of children.
- When using the pour over coffee machine never place the housing (1) on a metal tray or any other metal surface.
- Check that the type plate on the appliance indicates a voltage in keeping with the mains voltage in your region. Only connect the appliance to a professionally grounded socket with an output current of at least 6 A. (Use a residual current circuit breaker [RCD]. If necessary ask an electrician for advice). Whilst using the appliance it is necessary that the socket remain easily accessible in case of emergencies. The manufacturer shall not be liable

for any accidents that arise due to deficient or defective grounding of the appliance.

- If the socket is not suitable for the plug on your appliance, you will need to have the socket replaced by an approved electrician.

## STORE THESE OPERATING INSTRUCTIONS SOMEWHERE SAFE

- 1 Housing
- 2 Water tank
- 3 Water tank handle
- 4 Lid for water tank
- 5 Housing lid
- 6 Filter holder
- 7 Coffee filter
- 8 Thermos jug
- 9 Dosage lid
- 10 Lid cap
- 11 Coffee shower
- 12 Large stopper
- 13 Small stopper
- 14 Safety switch
- 15 ON/OFF switch & scale indication
- 16 BODUM measuring spoon

### IMPORTANT INFORMATION

#### POWER CABLE

- The appliance is supplied with a short power cable in order to reduce the risk of persons becoming entangled or tripping over a long cable.
- Whilst exercising the requisite caution it is possible to use an extension cable.
- In the event that an extension cable is used the nominal values quoted for the extension cable must comply with those of the appliance as a minimum. If the appliance is grounded then the extension cable must be a three-conductor, earthed cable. The longer cable must be laid such that it does not hang over the edges of tables or the corners of worktops, so that children cannot pull on it and such that it is not possible for persons to trip over it.

#### SWITCHING OFF THE POUR OVER COFFEE MACHINE MANUALLY

Using the ON/OFF switch (15) it is possible to switch the automatic browser coffee brewer off at any time.

## SAFETY SHUT-OFF

The pour over coffee machine is protected against damage caused by insufficient water. A safety shut-off switches the appliance off automatically if it is empty of water or if the heating element becomes too hot.

The automatic pour over coffee machine is protected against damage caused by scaling. A safety shut-off switches the appliance off automatically if it is scaled. If the ON/OFF switch (15) illuminates red you have to de-scale the automatic pour over coffee machine because the machine will not operate again until rectified.

## PRIOR TO USING THE POUR OVER COFFEE MACHINE

Clean the appliance prior to first use. In order to do so fill the water tank (2) with water to the MAX line and allow the appliance to run with the filter holder (6), coffee filter (7) and thermos jug (8) in place but without ground coffee. Afterwards simply tip the water away.

## HOW TO USE THE POUR OVER COFFEE MACHINE

- Open the lid (4) of the water tank and fill it with the desired volume of cold water. However, do not fill beyond the MAX line. Close the lid (4).
- You can also take the water tank (2) out in order to top it up with water or when cleaning the appliance. In order to do so remove the lid (4) of the water tank and lift the water tank (2) carefully up vertically and out of the pour over coffee machine by the handle (3).

**Note:** If the water tank (2) is empty or is not in place then the appliance will not switch on for safety reasons, in order to prevent the heating element from running whilst dry.

**Warning:** Only top up the water tank (2) with cold, clear water. Do not add any milk or other liquids to the water tank.

- Remove the thermos jug (8) from the pour over coffee machine. Now take the filter holder (6) with inserted coffee filter (7) carefully out of the housing (1) of the pour over coffee machine. In order to make a jug of coffee fill the coffee filter (7) with approx. 8 BODUM® measuring spoons (16) of medium fine ground coffee. For a smaller quantity of coffee you will require an appropriately reduced measure of medium fine ground coffee. (Observe the table providing the „Recommended dosage“ information.) Now slide the filter holder (6) with inserted coffee filter (7) carefully back into the housing of the pour over coffee machine.

**CAUTION:** Only use the coffee filter (7) supplied with the appliance. Never use paper filters.

- Guide the thermos jug (8) into the pour over coffee machine with the dosage lid (9) and lid cap (10) in place. Ensure that the thermos jug (8) is positioned precisely beneath the filter holder (6).

**Note:** The safety switch (14) detects the thermos jug (8) when it is in place in the appliance. If the thermos jug is not positioned correctly in the pour over coffee machine then the pour over coffee machine will not switch on.

- Press the ON/OFF switch (15). The ON/OFF switch illuminates green throughout the brewing process.
- After a few seconds the water starts to flow through the coffee shower (11) into the filter holder (6) and subsequently into the thermos jug (8). This process requires approx. 6 minutes for a jug of coffee (1.2l/40oz).
- The pour over coffee machine switches off automatically as soon as the water tank (2) has been emptied of water.

**Note:** The pour over coffee machine will also switch off automatically as soon as the thermos jug (8) is removed from the appliance during the brewing process.

- In order to resume the brewing process simply press the ON/OFF switch (15) again once the thermos jug (8) has been put back in the correct position in the pour over coffee machine.

## CLEANING THE POUR OVER COFFEE MACHINE

- When cleaning the pour over coffee machine never use any chemicals, steel wool or abrasive cleaners.
- Only clean the housing (1) with a damp cloth.
- Never immerse the housing in water. Remember that this is an electrical appliance.

**Note:** Always disconnect the pour over coffee machine from the mains prior to cleaning the appliance.

- Whenever possible clean the pour over coffee machine after every use. The following parts are dishwasher safe (only in the top compartment of the dishwasher):

- 2 Water tank
- 3 Water tank handle
- 4 Lid for water tank
- 6 Filter holder
- 7 Coffee filter
- 9 Dosage lid
- 10 Lid cap
- 11 Coffee shower
- 12 Large stopper
- 13 Small stopper
- 16 Measuring spoon

- For simple cleaning unscrew the dosage lid (9) from the thermos jug (8). Rinse the thermos jug (8) thoroughly with warm water after use.
- Warning:** The thermos jug (8) is not suitable for washing in the dishwasher. Do not immerse the thermos jug in water.
- The lid cap (10) can be removed through pull from the dosage lid (9) for ease of cleaning. Both the dosage lid and lid cap are dishwasher safe.

## MAINTENANCE AND CARE

### DE-SCALING THE POUR OVER COFFEE MACHINE

- To guarantee that the pour over coffee machine works correctly, you have to ensure that the machine is kept free of lime-scale. The optimum cycle is dependent on the hardness of the water which is different from country to country. We would advise de-scaling the machine after every 100 uses.
- Important:** If you do not de-scale the pour over coffee machine then this can lead to damage!
- If over scaling switches the appliance off automatically the ON/OFF switch (15) will illuminate red. You then must de-scale the pour over coffee machine immediately because the machine will no longer operate.
  - Regular de-scaling can increase the service life of the product and guarantees its faultless functionality. Furthermore, regular de-scaling will result in less steam forming, faster brewing times and energy savings.
  - Deposits should be removed with a commercially available de-scaling solution for coffee machines or with a solution of vinegar and water (20% vinegar and 80% water). When using commercially available de-scaling solutions ensure that these are suitable for use with heating elements made of copper as well as silicone materials. (Carefully check the specifications and dosage instructions of the manufacturer).
  - Fill the water tank (2) with de-scaling solution or a vinegar and water solution (do not fill above the MAX line) and place the coffee shower (11), filter holder (6), coffee filter (7) (without ground coffee) and the thermos jug (8) with the dosage lid (9/10) into their intended positions in the appliance.
  - Then rinse the separate parts thoroughly with cold water and rinse the appliance by running through with cold, clear water at least twice. Prior to doing so ensure that all of the separate parts have been correctly reassembled in the pour over coffee machine.
  - Any other servicing should be performed by an authorized service facility.



## CLEANING THE COFFEE SHOWER

The coffee shower (11) can be cleaned and de-scaled separately. In order to do so remove the housing lid (5) from the housing (1) of the pour over coffee machine. Then lift the coffee shower (11) carefully vertically, up and out of the pour over coffee machine. Now remove the large stopper (12) and small stopper (13) by pulling these slowly out of the coffee shower. Clean all parts thoroughly with de-scaling solution. Subsequently rinse all parts thoroughly with clear water before putting the coffee shower carefully back together. Ensure that the large stopper and small stopper are correctly seated and firmly in place. Now place the coffee shower back in the pour over coffee machine and carefully replace the housing lid.

**CAUTION:** When cleaning the coffee shower do not use hard brushes or pointed or sharp objects because these may scratch or damage the silicone surface.

**IMPORTANT:** The warranty is voided if no de-scaling is carried out or this is not carried out in accordance with the operating instructions.

## STORAGE

Always disconnect the pour over coffee machine from the mains when it is not in use.

## TECHNICAL DATA

EURO mains voltage	220 - 240 V~ 50/60 Hz
USA mains voltage	120 V~ 60 Hz
EURO nominal power	1450 W
USA nominal power	1450 W
Cable length	80 cm
Volumetric capacity	1.2 liter/40 fl. oz
Test marks	GS, CE, ETL, CETL

## SERVICE & WARRANTY CONDITIONS

All BODUM® products are produced from high quality, durable materials. However, if it should be necessary to replace parts please contact your BODUM® dealer, a BODUM® shop, the general BODUM® representative in your country or visit [www.bodum.com](http://www.bodum.com).

**Warranty:** BODUM® provides a 2-year warranty with the „BISTRO“ pour over coffee machine, valid from the date of purchase. This covers material defects and malfunctions that are attributable to manufacturing or design faults. If all of the warranty conditions have been fulfilled then repairs are free of charge. Refunds are not possible.

**Warranty conditions:** The warranty certificate must be completed by the vendor in full at the time of purchase. BODUM® does not provide warranty cover for damage that is attributable to incorrect use, incorrect operation, normal wear and tear, deficient or incorrect care and maintenance, incorrect operation or handling by unauthorized persons.

## ENVIRONMENTALLY-FRIENDLY DISPOSAL

It is impermissible to dispose of any electrical appliances together with general household refuse; these must be collected separately. It is free for private individuals to dispose of these at refuse collection centers. The owner of used appliances is obligated to take electrical appliances to collection centers or to submit these for appropriate collection. With this minor personal inconvenience you are making a contribution to ensuring that valuable raw materials are recycled and harmful substances are appropriately treated.

### Correct disposal for this product



This marking indicates that this product should not be disposed with other household wastes throughout the EU. To prevent possible harm to the environment or human health from uncontrolled waste disposal, recycle it responsibly to promote the sustainable reuse of material resources. To return your used device, please use the return and collection systems or contact the retailer where the product was purchased. They can take this product for environmental safe recycling.

## Willkommen bei BODUM®

**Herzlichen Glückwunsch! Sie sind stolze(r) Besitzer(in) einer BISTRO-Aufbrüh-Kaffeemaschine von BODUM®. Lesen Sie diese Anleitung sorgfältig, bevor Sie die Aufbrüh-Kaffeemaschine verwenden.**

## WICHTIGE SICHERHEITSHINWEISE

- Lesen Sie alle Hinweise, bevor Sie das Gerät zum ersten Mal verwenden. Das Nichteinhalten der Anweisungen und Sicherheitshinweise kann zu gefährlichen Situationen führen.
- Überprüfen Sie das Gerät nach dem Auspacken auf Schäden. Wenn Sie sich nicht sicher sind, ob es beschädigt ist, verwenden Sie es nicht, sondern kontaktieren Sie Ihren Händler.
- Halten Sie das Verpackungsmaterial (Karton, Plastikbeutel usw.) ausser Reichweite von Kindern (Erstickungs- oder Verletzungsgefahr).
- Das Gerät nur für die vorgesehenen Zwecke verwenden.
- Diese Aufbrüh-Kaffeemaschine ist nur für den Gebrauch im Haushalt gedacht. Verwenden Sie diese nicht im Freien.
- Stellen Sie das Gerät nicht auf oder in die Nähe eines eingeschalteten oder heissen Gas- oder Elektroherds bzw. in einen vorgeheizten Ofen.
- Für Schäden oder Verletzungen, die durch unsachgemässen oder unvorschriftsmässigen Gebrauch entstehen, ist der Hersteller nicht verantwortlich. Verwenden Sie das Gerät ausschliesslich für den vorgesehenen Zweck.
- Lassen Sie Kinder nicht mit dem Gerät spielen.
- Bei Verwendung des Geräts von oder in der Nähe von Kindern bzw. Personen, die damit nicht vertraut sind, ist eine genaue Beaufsichtigung erforderlich.
- Dieses Gerät darf nicht von Personen (einschließlich Kindern) verwendet werden, die über eingeschränkte physische, sensorische oder geistige Fähigkeiten verfügen oder denen es an Erfahrung und Wissen mangelt, außer sie wurden von einer Person, die für deren Sicherheit verantwortlich ist, im Gebrauch unterwiesen und werden von dieser Person beaufsichtigt. Kinder müssen beaufsichtigt werden, damit sie nicht mit dem Gerät spielen.
- Berühren Sie das Gerät nie mit feuchten oder nassen Händen. Berühren Sie das Netzkabel oder den Stecker nicht mit nassen Händen.
- Berühren Sie keine heissen Flächen. Halten Sie die Thermoskanne und den Filterträger nur am Handgriff.
- Verwenden Sie kein Zubehör, das nicht vom Gerätehersteller empfohlen wird. Dies kann zu Bränden, elektrischen Schlägen oder Verletzungen führen.
- Das Gerät nicht ohne Wasser in Betrieb nehmen.
- Den Wasserbehälter (2) nicht über die MAX.-Markierung füllen.
- Das Gerät nie ohne Kaffeedusche (11) und ohne Filter-träger (6) in Betrieb nehmen.
- Achten Sie darauf, nicht mit dem Dampf in Berührung zu kommen, der beim Brühvorgang entsteht. Sie könnten sich sonst verbrühen.

- Wird die Abdeckung während des Brühzyklus entfernt, besteht Verbrühungsgefahr.
- Kochendes Wasser kann Verbrennungen verursachen.
- Achten Sie darauf, dass die EIN/AUS-Taste (15) stets frei zugänglich ist.
- Tauchen Sie das Gerät nie in Wasser: Denken Sie daran, dass es sich um ein Elektrogerät handelt.
- ACHTUNG: Um Schäden am Gerät zu vermeiden, keine alkalischen Reinigungsmittel verwenden. Mit weichem Tuch und mildem Reinigungsmittel reinigen.
- Reinigen Sie das Gehäuse (1) nur mit einem feuchten Tuch.
- Drücken Sie die EIN/AUS-Taste (15) und ziehen Sie den Stecker aus der Steckdose, um das Gerät auszuschalten.
- Ziehen Sie immer am Stecker und nicht am Kabel, um das Gerät vom Strom zu trennen.
- Lassen Sie das Netzkabel nicht über die Kante von Tisch oder Arbeitsfläche hängen bzw. mit heißen Oberflächen in Berührung kommen.
- Ziehen Sie den Stecker aus der Steckdose, wenn Sie die Aufbrüh-Kaffeemaschine nicht verwenden oder bevor Sie diese reinigen. Lassen Sie das Gerät vor der Reinigung abkühlen bevor sie Teile hinzufügen oder entfernen.
- Nehmen Sie kein elektrisches Gerät in Betrieb, wenn Netzkabel oder Stecker beschädigt sind, nachdem Fehlfunktionen aufgetreten sind oder wenn das Gerät auf irgendeine Art beschädigt wurde. Bringen Sie das Gerät in diesem Fall zur Kontrolle, Reparatur oder Einstellung zum nächstgelegenen autorisierten Servicestützpunkt.
- Versuchen Sie nie, das Netzkabel des Geräts auszutauschen, da hierfür Spezialwerkzeuge erforderlich sind. Lassen Sie die Reparatur oder den Austausch des Netzkabels ausschliesslich in einer vom Hersteller autorisierten Servicewerkstatt durchführen, um die Sicherheit des Geräts zu gewährleisten.
- Tauchen Sie Kabel, Stecker und Gerät nicht in Wasser oder andere Flüssigkeiten, da dies Brände, elektrische Schläge oder Verletzungen verursachen könnte.
- Die Abstellfläche muss trocken sein, bevor Sie das Gerät benutzen.
- Gehäusedeckel (5), Filterträger (6) und Kaffeefilter (7) bei Betrieb immer am Gerät anbringen.

## INSTALLATION

- Stellen Sie das Gerät auf eine stabile, ebene Oberfläche, die weder heiss ist noch sich in der Nähe einer Hitzequelle befindet. Die Oberfläche muss trocken sein. Halten Sie das Gerät und das Netzkabel ausser Reichweite von Kindern.
- Stellen Sie das Gehäuse (1) der Aufbrüh-Kaffeemaschine während der Verwendung nicht auf ein Metalltablett oder eine andere Metallfläche.
- Überprüfen Sie, ob die auf dem Typenschild des Geräts angegebene Spannung mit der Netzspannung in Ihrer Region übereinstimmt. Schliessen Sie das Gerät nur an eine ordnungsgemäss geerdete Steckdose mit einer Ausgangsleistung von mindestens 6 A an. (Verwenden Sie einen Fehlerstromschutzschalter [RCD], fragen Sie ggf. einen Elektriker um Rat.) Während der Verwendung des Geräts muss die Steckdose im Notfall gut zugänglich sein. Für Unfälle, die

durch eine mangelhafte oder nicht vorhandene Erdung des Geräts verursacht werden, ist der Hersteller nicht verantwortlich.

- Ist die Steckdose für den Stecker Ihres Geräts nicht geeignet, müssen Sie die Steckdose durch einen geprüften Elektriker austauschen lassen.

## BEWAHREN SIE DIESE GEBRAUCHSANWEISUNG AUF

- 1 Gehäuse
- 2 Wasserbehälter
- 3 Handgriff für Wasserbehälter
- 4 Deckel für Wasserbehälter
- 5 Gehäusedeckel
- 6 Filterträger
- 7 Kaffeefilter
- 8 Thermoskanne
- 9 Dosierdeckel
- 10 Deckelkappe
- 11 Kaffeedusche
- 12 Stopfen gross
- 13 Stopfen klein
- 14 Sicherheitsschalter
- 15 EIN/AUS-Taste & Entkalkungs -Warnleuchte
- 16 BODUM-Masslöffel

### BESONDERE HINWEISE

#### NETZKABEL

- Es wird ein kurzes Netzkabel mitgeliefert, um die Gefahr zu verringern, dass Sie sich in einem langen Kabel verheddern oder darüber stolpern.
- Bei entsprechender Vorsicht kann ein Verlängerungskabel verwendet werden.
- Bei Verwendung eines Verlängerungskabels müssen die angegebenen elektrischen Nennwerte des Verlängerungskabels mindestens denen des Geräts entsprechen; wenn das Gerät geerdet ist, muss das Verlängerungskabel ein dreiadriges, geerdetes Kabel sein. Das längere Kabel muss so verlegt werden, dass es nicht über die Tischkante oder den Rand der Arbeitsplatte hängt, dass Kinder nicht daran ziehen können und dass man nicht darüber stolpern kann.

#### AUFBRÜH-KAFFEEMASCHINE MANUELL AUSSCHALTEN

Mit der EIN/AUS-Taste (15) können Sie die Aufbrüh-Kaffeemaschine jederzeit abschalten.

## SICHERHEITSABSCHALTUNG

Die Aufbrüh-Kaffeemaschine ist vor Schäden durch zu wenig Wasser geschützt. Eine Sicherheitsabschaltung schaltet das Gerät automatisch ab, wenn das gesamte Wasser aufgebraucht ist oder das Heizelement zu heiss wird.

Die Aufbrüh-Kaffeemaschine ist vor Schäden durch Verkalkung geschützt. Eine Sicherheitsabschaltung schaltet das Gerät bei übermässiger Verkalkung automatisch ab. Sobald die ON/OFF-Taste (15) rot aufleuchtet muss die Aufbrüh-Kaffeemaschine entkalkt werden und kann erst anschliessen wieder in Betrieb genommen werden.

## VOR GEBRAUCH DER AUFBRÜH-KAFFEEMASCHINE

Reinigen Sie das Gerät vor dem ersten Gebrauch. Füllen Sie dazu den Wasserbehälter (2) bis zur MAX.-Marke mit Wasser, und lassen Sie das Gerät mit eingesetztem Filterträger (6), Kaffeefilter (7) und Thermoskanne (8) einmal ohne Kaffeepulver laufen. Giessen Sie das Wasser danach weg.

## SO VERWENDEN SIE DIE AUFBRÜH-KAFFEEMASCHINE

- Öffnen Sie den Deckel (4) des Wasserbehälters, und füllen Sie die gewünschte Menge kalten Wassers ein. Die MAX.-Markierung darf jedoch nicht überschritten werden. Schliessen Sie den Deckel (4).
- Sie können den Wasserbehälter (2) auch herausnehmen, um Wasser nachzufüllen oder das Gerät zu reinigen. Entfernen Sie hierzu den Deckel (4) des Wasserbehälters, und ziehen Sie den Wasserbehälter (2) mittels Handgriff (3) vorsichtig und senkrecht nach oben aus der Aufbrüh-Kaffeemaschine.

**Hinweis:** Wenn der Wasserbehälter (2) leer oder nicht montiert ist, lässt sich das Gerät aus Sicherheitsgründen nicht einschalten, um ein Trockenlaufen des Heizelementes zu verhindern.

**Achtung:** Geben Sie nur kaltes und klares Wasser in den Wasserbehälter (2). Keine Milch oder andere Flüssigkeiten in den Wasserbehälter giessen.

- Entnehmen Sie die Thermoskanne (8) aus der Aufbrüh-Kaffeemaschine. Ziehen Sie nun den Filterträger (6) mit eingelegtem Kaffeefilter (7) vorsichtig aus dem Gehäuse (1) der Aufbrüh-Kaffeemaschine. Für eine Kanne Kaffee füllen Sie den Kaffeefilter (7) mit ca. 8 BODUM®-Masslöffel (16) mittelfein gemahlenem Kaffee. Für eine kleinere Menge Kaffee benötigen Sie dementsprechend weniger des mittelfein gemahlene Kaffees. (Beachten Sie bitte die Tabelle „Dosierungsempfehlung“.) Schieben Sie nun den Filterträger (6) mit eingelegtem Kaffeefilter (7) vorsichtig in das Gehäuse der Aufbrüh-Kaffeemaschine zurück.

**VORSICHT:** Verwenden Sie nur den mitgelieferten Kaffeefilter (7). Verwenden Sie niemals Papierfilter.

- Führen Sie die Thermoskanne (8) mit montiertem Dosierdeckel (9) und Deckelkappe (10) in den Kaffee-bereiter ein. Achten Sie darauf, dass die Thermoskanne (8) genau unterhalb des Filterträgers (6) positioniert ist.
  - Hinweis:** Der Sicherheitsschalter (14) erkennt, ob sich die Thermoskanne (8) im Gerät befindet. Wenn die Thermoskanne nicht ordnungsgemäss in der Aufbrüh-Kaffeemaschine platziert ist, lässt sich die Aufbrüh-Kaffeemaschine nicht einschalten.
  - Drücken Sie die EIN/AUS-Taste (15). Die EIN/AUS-Taste leuchtet grün während der gesamten Brühdauer.
  - Nach einigen Sekunden beginnt das Wasser durch die Kaffeedusche (11) in den Filterträger (6) und anschliessend in die Thermoskanne (8) zu fliessen. Dieser Vorgang dauert ca. 6 Minuten für eine Kanne Kaffee (1,2 l/40 oz).
  - Die Aufbrüh-Kaffeemaschine schaltet sich automatisch aus, sobald das gesamte Wasser aus dem Wasserbehälter (2) verbraucht ist.
  - Hinweis:** Die Aufbrüh-Kaffeemaschine schaltet sich ebenfalls automatisch aus, sobald die Thermoskanne (8) während des Brühvorgangs aus dem Gerät entfernt wird.
- Nachdem Sie die Thermoskanne (8) zurück in die korrekte Position der Aufbrüh-Kaffeemaschine gestellt haben, bestätigen Sie erneut die EIN/AUS-Taste (15), um den Brühvorgang anschliessend wieder fortzusetzen.

## AUFBRÜH-KAFFEEMASCHINE REINIGEN

- Verwenden Sie für die Reinigung der Aufbrüh-Kaffeemaschine keine Chemikalien, Stahlwolle oder Scheuermittel.
- Reinigen Sie das Gehäuse (1) nur mit einem feuchten Tuch.
- Tauchen Sie das Gehäuse nie in Wasser: Denken Sie daran, dass es sich um ein Elektrogerät handelt.
- Hinweis:** Trennen Sie die Aufbrüh-Kaffeemaschine immer vom Stromnetz, wenn Sie das Gerät reinigen.
- Reinigen Sie die Aufbrüh-Kaffeemaschine möglichst nach jedem Durchgang. Folgende Teile sind spülmaschinenfest (nur im oberen Fach der Spülmaschine):

- 2 Wasserbehälter
- 3 Handgriff für Wasserbehälter
- 4 Deckel für Wasserbehälter
- 6 Filterträger
- 7 Kaffeefilter
- 9 Dosierdeckel
- 10 Deckelkappe
- 11 Kaffeedusche
- 12 Stopfen gross
- 13 Stopfen klein
- 16 Masslöffel

- Für eine einfache Reinigung schrauben Sie den Dosierdeckel (9) von der Thermoskanne (8) ab. Spülen Sie die Thermoskanne (8) nach Gebrauch mit warmem Wasser gründlich aus.

**Achtung:** Die Thermoskanne (8) ist nicht für die Spülmaschine geeignet. Die Thermoskanne nicht in Wasser tauchen.

- Die Deckelkappe (10) lässt sich zur einfacheren Reinigung vom Dosierdeckel (9) durch Ziehen abnehmen. Dosierdeckel und Deckelkappe sind spülmaschinenfest.

## WARTUNG UND PFLEGE

### AUFBRÜH-KAFFEEMASCHINE ENTKALKEN

- Um sicherzustellen, dass die Aufbrüh-Kaffeemaschine einwandfrei funktioniert, muss diese in regelmässigen Abständen entkalkt werden. Der optimale Zyklus des Entkalkens ist abhängig vom Härtegrad des Wassers des jeweiligen Landes. Wir empfehlen spätestens nach 100 Anwendungen die Aufbrüh-Kaffeemaschine zu entkalken.

**WICHTIG:** Wenn Sie die Aufbrüh-Kaffeemaschine nicht entkalken, kann dies zu ernststen Schäden führen!

- Bei übermässiger Verkalkung schaltet das Gerät automatisch ab und die ON/OFF-Taste (15) leuchtet als Warnung rot auf. Das Gerät kann erst nach der Entkalkung wieder in Betrieb genommen werden.
- Eine regelmässige Entkalkung kann die Lebensdauer des Produkts verlängern und gewährleistet eine einwandfreie Funktion. Zudem bewirkt eine regelmässige Entkalkung eine geringere Dampfbildung, schnellere Brühzeiten und spart Energie.
- Ablagerungen sind mit einer handelsüblichen Entkalkungslösung für Kaffeemaschinen oder mit einer Essigwassermischung (20% Essig / 80% Wasser) zu entfernen. Achten Sie bei den handelsüblichen Entkalkungslösungen darauf, dass diese für Heizelemente aus Kupfer sowie für Silikonmaterial geeignet sind. (Vorschriften und Dosierangaben des Herstellers sorgfältig beachten.)
- Füllen Sie den Wasserbehälter (2) mit Entkalkungslösung oder Essigwassermischung (MAX.-Marke nicht überschreiten), und setzen Sie die Kaffeedusche (11), den Filterträger (6), den Kaffeefilter (7) (ohne Kaffeepulver) sowie die Thermoskanne (8) mit Dosierdeckel (9/10) an den dafür vorgesehenen Positionen ins Gerät ein.
- Spülen Sie danach die losen Teile gründlich mit kaltem Wasser ab, und lassen Sie mindestens zwei weitere Durchgänge klares und kaltes Wasser durch das Gerät laufen. Achten Sie darauf, dass vorher alle losen Teile wieder ordnungsgemäss in der Aufbrüh-Kaffeemaschine montiert sind.
- Alle weiteren Wartungsarbeiten müssen von einem zugelassenen Fachbetrieb durchgeführt werden.



## KAFFEEBUSCHE REINIGEN

- Die Kaffeekanne (11) lässt sich auch separat reinigen und entkalken. Nehmen Sie hierzu den Gehäusedeckel (5) vom Gehäuse (1) der Aufbrüh-Kaffeemaschine ab. Anschließend heben Sie vorsichtig die Kaffeekanne (11) senkrecht aus der Aufbrüh-Kaffeemaschine. Nun entfernen Sie den Stopfen gross (12) und den Stopfen klein (13) durch langsames Herausziehen aus der Kaffeekanne. Reinigen Sie alle Teile gründlich mit Entkalkungslösung. Spülen Sie danach alle Teile gründlich mit klarem Wasser ab, bevor Sie die Kaffeekanne wieder sorgfältig zusammensetzen. Achten Sie auch darauf, dass der Stopfen gross und der Stopfen klein richtig und fest sitzen. Nun setzen Sie die Kaffeekanne wieder in die Aufbrüh-Kaffeemaschine ein und montieren den Gehäusedeckel sorgfältig.

**VORSICHT:** Verwenden Sie für die Reinigung der Kaffeekanne keine harten Bürsten oder spitzen oder scharfen Gegenstände, da andernfalls die Silikonoberfläche zerkratzt oder beschädigt wird.

### WICHTIG:

Die Garantie erlischt, wenn keine Entkalkungen durchgeführt oder diese nicht gemäß Gebrauchsanleitung vorgenommen werden.

## AUFBEWAHRUNG

Trennen Sie die Aufbrüh-Kaffeemaschine immer vom Stromnetz, wenn Sie diese nicht verwenden.

### TECHNISCHE DATEN

Nennspannung EURO	220 - 240 V~ 50/60 Hz
Nennspannung USA	120 V~ 60 Hz
Nennleistung EURO	1450 W
Nennleistung USA	1450 W
Kabellänge	80 cm
Fassungsvermögen	1,2 Liter/40 fl. oz
Prüfzeichen	GS, CE, ETL, CETL

## SERVICE & GARANTIEBEDINGUNGEN


Alle BODUM®-Produkte werden aus hochwertigen, langlebigen Materialien gefertigt. Müssen Teile jedoch einmal ersetzt werden, wenden Sie sich bitte an Ihren BODUM®-Händler, ein BODUM®-Geschäft, die BODUM®-Generalvertretung in Ihrem Land, oder besuchen Sie [www.bodum.com](http://www.bodum.com).

**Garantie:** BODUM® gibt auf die "BISTRO"-Aufbrüh-Kaffeemaschine eine 2-jährige Garantie ab Kaufdatum für Materialfehler oder Funktionsstörungen, die auf Fehler in Herstellung oder Entwurf zurückzuführen sind. Wenn alle Garantiebedingungen erfüllt werden, ist die Reparatur kostenlos. Rückvergütungen sind nicht möglich.

**Garantiebedingungen:** Der Garantieschein ist beim Kauf vollständig vom Verkäufer auszufüllen. BODUM® gibt keine Garantie für Schäden, die auf nicht bestimmungsgemäße Verwendung, falsche Bedienung, normalen Verschleiss, mangelhafte oder falsche Pflege oder Wartungsarbeiten, falschen Betrieb oder Hantieren durch nicht autorisierte Personen zurückzuführen sind.

## UMWELTFREUNDLICHE ENTSORGUNG

Alte Elektrogeräte dürfen nicht mehr zusammen mit dem Restmüll entsorgt werden, sondern müssen getrennt gesammelt werden. Die Abgabe bei kommunalen Sammelstellen durch Privatpersonen ist kostenfrei. Die Besitzer von Altgeräten sind verpflichtet, die Geräte zu den Sammelstellen zu bringen oder bei einer entsprechenden Sammlung abzugeben. Mit diesem kleinen persönlichen Aufwand tragen Sie dazu bei, dass wertvolle Rohstoffe recycelt und Schadstoffe gezielt behandelt werden können.

Umweltfreundliche Entsorgung	
	<p>Alte Elektrogeräte dürfen nicht mehr zusammen mit dem Restmüll entsorgt werden, sondern müssen getrennt erfasst werden. Die Abgabe bei kommunalen Sammelstellen durch Privatpersonen ist kostenfrei. Die Besitzer von Altgeräten sind verpflichtet, die Geräte zu den Sammelstellen zu bringen oder bei einer entsprechenden Sammlung abzugeben. Mit diesem kleinen persönlichen Aufwand tragen Sie dazu bei, dass wertvolle Rohstoffe recycelt und Schadstoffe gezielt behandelt werden können.</p>

## Bienvenue chez BODUM®

***Félicitations ! Vous êtes maintenant l'heureux propriétaire d'une cafetière filtre automatique BISTRO de BODUM®. Lisez attentivement les instructions qui suivent avant d'utiliser votre appareil.***

# IMPORTANTES CONSIGNES DE SÉCURITÉ

- Lisez toutes les informations avant d'utiliser l'appareil pour la première fois. Le non respect des instructions et information de sécurité peut vous exposer à des dangers.
- Une fois l'appareil déballé, vérifiez qu'il n'est pas endommagé. En cas de doute, ne l'utilisez pas et prenez contact avec votre revendeur.
- Conservez les matériaux d'emballage (carton, sacs en plastique, etc.) hors de portée des enfants, qui risqueraient de se blesser ou de s'étouffer.
- N'utilisez en aucun cas l'appareil à d'autres fins que celles prévues.
- Cette cafetière filtre automatique est destinée à un usage ménager. Ne l'utilisez pas à l'extérieur.
- Ne pas placer l'appareil sur ou à proximité d'une cuisinière électrique ou à gaz allumée ni dans un four préchauffé.
- Le fabricant décline toute responsabilité en cas de dommage ou de blessure faisant suite à une utilisation inappropriée ou abusive de l'appareil. N'utilisez en aucun cas l'appareil à d'autres fins que celles prévues.
- Ne laissez pas des enfants jouer avec l'appareil.
- Une surveillance étroite est nécessaire en cas d'utilisation de l'appareil à proximité d'enfants ou de personnes non familiarisées avec son utilisation.
- Cet appareil ne doit pas être utilisé par des personnes (y compris des enfants) présentant un handicap physique, sensoriel ou mental ou un manque d'expérience et de connaissance pour autant qu'elles aient reçu les instructions nécessaires relatives à l'utilisation de l'appareil par une personne responsable de leur sécurité et qui les surveille pendant l'utilisation de l'appareil. Les enfants doivent être surveillés afin de s'assurer qu'ils ne jouent pas avec l'appareil.
- Ne touchez pas l'appareil avec les mains humides ou mouillées. Ne touchez en aucun cas le cordon d'alimentation ou la fiche si vous avez les mains mouillées.
- Ne touchez pas les surfaces chaudes. Tenez le pichet thermos et le porte filtre par la poignée uniquement.
- Utilisez uniquement les accessoires recommandés par le fabricant de l'appareil. L'utilisation d'accessoires non recommandés peut entraîner un incendie, une décharge électrique ou des blessures.
- Pour les Etats-Unis et le Canada : les appareils possèdent une fiche polarisée (une broche est plus large que l'autre). Afin de réduire le risque de décharge

électrique, la fiche ne peut être insérée dans une prise polarisée que dans un sens. Si la fiche ne s'insère pas complètement dans la prise, retournez-la. Si elle ne s'insère toujours pas, contactez un électricien qualifié. Ne modifiez en aucun cas la fiche.

- Ne pas allumer l'appareil avant d'avoir inséré l'eau.
- Ne pas remplir le réservoir d'eau (2) au-dessus du repère MAX.
- Ne pas allumer l'appareil avant d'avoir installé le diffuseur (11) et le porte filtre (6).
- Évitez tout contact avec la vapeur pendant la phase de préparation du café. Vous risqueriez de vous brûler.
- Vous risquez de vous brûler si le couvercle est enlevé pendant la phase de préparation du café.
- L'eau bouillante peut provoquer des brûlures.
- Assurez-vous que l'interrupteur ON/OFF (15) soit facilement accessible à tout moment.
- ATTENTION: pour éviter tout dommage à l'appareil, ne pas utiliser de nettoyeur alcalin. Ne nettoyez l'appareil qu'en utilisant un chiffon doux avec un détergent non agressif.
- N'immergez jamais l'appareil dans l'eau. N'oubliez pas qu'il s'agit d'un appareil électrique.
- Nettoyez le socle de l'appareil uniquement avec un linge humide.
- Appuyez sur le bouton ON/OFF (15) et débranchez le cordon de la fiche pour éteindre l'appareil.
- Débranchez toujours l'appareil en tirant sur la fiche et non sur le cordon.
- Ne laissez pas le cordon d'alimentation pendre d'une table ou d'un plan de travail ni entrer en contact avec des surfaces chaudes.
- Retirez la fiche de la prise si vous n'employez pas la cafetière ou si vous la nettoyez. Laissez l'appareil refroidir avant de le nettoyer ou d'enlever des éléments.
- N'utilisez en aucun cas l'appareil si le cordon d'alimentation ou la fiche sont endommagés, après que des défauts aient été identifiés ou si l'appareil est endommagé. Si c'est le cas, apportez l'appareil immédiatement à votre centre de service autorisé le plus près, pour une inspection, des réparations ou un ajustement.
- N'essayez jamais de remplacer le cordon d'alimentation de l'appareil. Ceci nécessite des outils spécialisés. Les dommages à l'appareil (réparation, changement de cordon d'alimentation) ne peuvent être réparés que par le fabricant ou un revendeur habilité, afin d'éviter tout danger.
- Pour se protéger contre le feu, la décharge électrique et les dommages aux personnes, ne pas immerger le cordon, la prise ou l'appareil dans l'eau ou tout autre liquide.
- Assurez-vous que la surface sur laquelle repose l'appareil soit sèche avant toute utilisation.
- Toujours refermer le couvercle du socle (5) et insérer le porte filtre (6) et le filtre à café (7) dans l'appareil pendant l'utilisation.

## INSTALLATION

- Placez l'appareil sur une surface stable et plane, en aucun cas sur une surface chaude et à l'écart de toute source de chaleur. La surface doit être sèche. Veillez à ce que l'appareil et le cordon d'alimentation soient hors de portée des enfants.
- Ne posez pas le socle (1) de votre cafetière filtre automatique sur une tablette ni toute autre surface métallique pendant que l'appareil est en fonctionnement.
- Assurez-vous que la tension indiquée sur la plaque signalétique de l'appareil soit la même que la tension de secteur de votre région. Branchez l'appareil dans une prise correctement mise à la terre, avec une puissance de sortie minimale de 6 A. (Utilisez un dispositif de courant résiduel DCR) ou demandez conseil à un électricien). Pendant l'utilisation de l'appareil, assurez-vous de toujours avoir facilement accès à la prise au cas où un problème surviendrait. Le fabricant décline toute responsabilité en cas d'accident dû à une mauvaise mise à la terre ou une absence de mise à la terre de l'appareil.
- Si la prise ne convient pas à la fiche de votre appareil, faites-la changer par un électricien agréé.

## CONSERVEZ CES INSTRUCTIONS DANS UN ENDROIT SÛR

- 1 Socle
- 2 Réservoir d'eau
- 3 Poignée du réservoir d'eau
- 4 Couvercle du réservoir d'eau
- 5 Couvercle du socle
- 6 Porte filtre
- 7 Filtre à café
- 8 Pichet thermos
- 9 Bouchon doseur
- 10 Bouchon thermos
- 11 Diffuseur
- 12 Grand obturateur
- 13 Petit obturateur
- 14 Bouton de sécurité
- 15 Interrupteur ON/OFF & indicateur de tartre
- 16 Cuillère doseuse BODUM

## INFORMATION IMPORTANTE

### CORDON D'ALIMENTATION

- L'appareil est fourni avec un cordon d'alimentation court afin de réduire le risque de s'emmêler ou de trébucher provoqué par un long cordon.
- Il est possible d'utiliser des rallonges si l'utilisation se fait avec soin.
- Si une rallonge est utilisée, son voltage doit être au moins aussi grand que le voltage de l'appareil. Si l'appareil est relié à la terre, la rallonge doit posséder un fil de terre de type 3. Placez le cordon plus long pour qu'il ne puisse pas pendre le long d'une table ou d'un plan de travail, pour que les enfants ne puissent pas le tirer ni trébucher et que personne ne puisse s'y prendre les pieds.

### ARRÊT MANUEL DE LA CAFETIÈRE FILTRE AUTOMATIQUE

A l'aide de l'interrupteur ON/OFF (15), vous pouvez arrêter la cafetière filtre automatique à tout instant.

### ARRÊT DE SECURITE

La cafetière filtre automatique est protégée contre les dommages qui pourraient être provoqués par un niveau d'eau insuffisant. Un dispositif d'arrêt de sécurité coupe automatiquement l'alimentation électrique lorsqu'il manque d'eau ou si l'élément chauffant devient trop chaud.

La cafetière filtre automatique est protégée contre les dommages qui pourraient être provoqués par un entartrage. Un dispositif d'arrêt de sécurité coupe automatiquement l'alimentation électrique lorsque l'appareil est entartré. Lorsque le bouton ON/OFF (15) s'allume en rouge, vous devez alors détartre la cafetière filtre automatique car la machine ne pourra être utilisée tant que le problème n'est pas résolu.

### AVANT TOUTE UTILISATION DE LA CAFETIÈRE FILTRE AUTOMATIQUE

Nettoyez l'appareil avant de l'utiliser pour la première fois. Pour cela, remplissez le réservoir d'eau (2) jusqu'au repère MAX et faites fonctionner l'appareil en plaçant le porte filtre (6), le filtre à café (7) et le pichet thermos (8) sans ajouter de café. Jetez ensuite l'eau utilisée pour ce nettoyage.

## UTILISATION DE LA CAFETIÈRE FILTRE AUTOMATIQUE

- Ouvrez le couvercle (4) du réservoir d'eau et versez le volume d'eau dont vous avez besoin. Ne dépassez pas le repère MAX. Fermez le couvercle (4).
- Vous pouvez aussi retirer le réservoir d'eau (2) pour le remplir ou nettoyer l'appareil. Pour cela, enlevez le couvercle (4) du réservoir d'eau et soulevez avec précaution le réservoir d'eau (2) vers le haut pour l'enlever du socle de la cafetière filtre automatique à l'aide de la poignée (3).

**Note:** Si le réservoir d'eau (2) est vide ou s'il n'est pas installé, l'appareil ne se mettra pas en marche par sécurité afin d'éviter que les éléments ne chauffent à vide.

**Avertissement:** Remplissez le réservoir d'eau (2) uniquement avec de l'eau froide et claire. Ne pas ajouter de lait ni tout autre liquide dans le réservoir d'eau.

- Enlevez le pichet thermos (8) de la cafetière filtre automatique. Retirez maintenant avec précaution le porte filtre (6) avec le filtre à café (7) du socle (1) de la cafetière filtre automatique. Pour faire un pichet de café, ajoutez dans le filtre à café (7) environ 8 mesures de café de mouture moyenne à l'aide de la cuillère doseuse BODUM®. Pour une quantité inférieure de café, réduisez proportionnellement la quantité de café mouture moyenne. (Suivre le tableau sur les «Recommandations pour le dosage»). Insérez maintenant avec précaution le porte filtre (6) avec le filtre à café (7) sur le socle (1) de la cafetière filtre automatique.

**ATTENTION:** utilisez uniquement le filtre à café (7) fourni avec l'appareil. Ne jamais utiliser de filtres papier.

- Insérez le pichet thermos (8) dans la cafetière filtre automatique et mettez en place le bouchon doseur (9) et le bouchon thermos (10). Assurez-vous que le pichet thermos (8) soit correctement positionné sous le porte filtre (6).

**Note:** le bouton de sécurité (14) détecte si le pichet thermos (8) est correctement placé dans l'appareil. Si le pichet thermos n'est pas positionné correctement dans la cafetière filtre automatique, l'appareil ne peut alors pas être mis en marche.

- Appuyez sur le bouton ON/OFF (15). Le voyant ON/OFF s'allume en vert pendant toute la phase de préparation du café.
- Après quelques secondes, l'eau commence à s'écouler à travers le diffuseur (11), passe dans le porte filtre (6) puis dans le pichet thermos (8). Ce processus nécessite environ 6 minutes pour un pichet plein de café (1,2l/40oz).
- La cafetière filtre automatique s'éteint automatiquement dès que le réservoir d'eau (2) est vide.

**Note:** la cafetière filtre automatique s'éteint également automatiquement dès que le pichet thermos (8) est enlevé de l'appareil pendant la phase de préparation du café.

- Pour reprendre le processus de préparation du café, appuyez simplement sur le bouton ON/OFF (15) à nouveau une fois que le pichet thermos (8) a été remis en position correcte dans la cafetière filtre automatique.

## NETTOYAGE DE LA CAFETIÈRE FILTRE AUTOMATIQUE

- Lors du nettoyage de votre cafetière filtre automatique, n'utilisez pas de produits chimiques, paille de fer ni agents abrasifs.
- Nettoyez le socle (1) uniquement avec un linge humide.

- N'immergez jamais le socle dans l'eau. N'oubliez pas qu'il s'agit d'un appareil électrique.

**Note:** débranchez toujours la cafetière filtre automatique de l'alimentation lorsque vous nettoyez l'appareil.

- Si possible, nettoyez la cafetière filtre automatique après chaque utilisation. Les éléments suivants sont résistants au lave-vaisselle (uniquement dans le compartiment haut du lave-vaisselle) :

- 2 Réservoir d'eau
- 3 Poignée du réservoir d'eau
- 4 Couvercle pour le réservoir d'eau
- 6 Porte filtre
- 7 Filtre à café
- 9 Bouchon doseur
- 10 Bouchon thermos
- 11 Diffuseur
- 12 Grand obturateur
- 13 Petit obturateur
- 16 Cuillère doseuse

- Pour procéder à un simple nettoyage, dévissez le bouchon doseur (9) du pichet thermos (8). Rincez le pichet thermos (8) avec soin en utilisant de l'eau chaude.

**Avertissement:** le pichet thermos (8) n'est pas adapté au lave-vaisselle. Ne plongez pas le pichet thermos dans l'eau.

- Le bouchon thermos (10) s'enlève en tirant sur le bouchon doseur (9) pour pouvoir le nettoyer. Le bouchon thermos et le bouchon doseur sont résistants au lave-vaisselle.



## ENTRETIEN ET SOIN

### DÉTARTRAGE DE LA CAFETIÈRE FILTRE AUTOMATIQUE

- Afin de garantir un fonctionnement correct de votre cafetière filtre automatique, il est important de s'assurer que l'appareil ne soit pas endurci par le tartre. Le cycle optimal dépend de la dureté de l'eau, celle-ci diffère d'un pays à l'autre. Nous vous conseillons de détartrer la machine après 100 utilisations.

**Important:** des dommages peuvent survenir si vous ne procédez pas au détartrage de votre cafetière filtre automatique.

- Si l'appareil est entartré, le bouton ON/OFF (15) s'allume alors automatiquement en rouge. Vous devez alors détartrer votre cafetière filtre automatique afin de pouvoir utiliser de nouveau l'appareil.
- Un détartrage régulier permet d'augmenter la durée de vie du produit et garantit un fonctionnement sans défaut. De plus, un détartrage régulier permet de réduire la formation de vapeur d'eau, le temps de préparation du café et la consommation énergétique.
- Pour enlever les dépôts de tartre, utilisez une solution de détartrage disponible dans le commerce pour machines à café ou une solution à base de vinaigre et eau (20% de vinaigre et 80% d'eau). En cas d'utilisation de solutions de détartrage disponibles dans le commerce, assurez-vous que celles-ci soient adaptées à un usage avec des éléments chauffants en cuivre ainsi que des matériaux en silicone. (Vérifiez avec attention les spécifications et instructions du fabricant sur le dosage).
- Remplissez le réservoir d'eau (2) à l'aide de la solution de détartrage ou de la solution à base de vinaigre et eau (ne pas remplir au-dessus du repère MAX) et placez le diffuseur (11), le porte filtre (6), le filtre à café (7) (sans le café moulu) ainsi que le pichet thermos (8) avec son bouchon doseur (9/10) dans la position prévue dans l'appareil.
- Rincez ensuite soigneusement les pièces séparées à l'eau froide puis rincez l'appareil en faisant passer de l'eau froide et claire pendant au moins deux cycles. Avant de procéder ainsi, assurez-vous que chaque pièce séparée ait été correctement remise en place dans la cafetière filtre automatique.
- Toute autre intervention sur l'appareil doit être faite par un réparateur autorisé de la marque.

## NETTOYAGE DU DIFFUSEUR A CAFE

Le diffuseur (11) peut être nettoyé et détartré séparément. Pour cela, retirez avec précaution le couvercle (5) du socle (1) de la cafetière filtre automatique. Puis soulevez verticalement le diffuseur (11) avec précaution pour le retirer de la cafetière filtre automatique. Retirez maintenant le grand obturateur (12) et le petit obturateur (13) en les retirant doucement du diffuseur. Nettoyez soigneusement chaque élément séparément à l'aide d'une solution de détartrage. Rincez ensuite abondamment chaque élément avec de l'eau claire avant de remettre avec précaution le diffuseur en place. Assurez-vous que le grand obturateur et le petit obturateur soient correctement mis en place et fermement fixés. Placez maintenant le diffuseur dans la cafetière filtre automatique et remettez avec soin le couvercle du socle.

**ATTENTION:** pendant le nettoyage du diffuseur, n'utilisez pas de brosses métalliques ni d'objets pointus ou tranchants qui pourraient rayer ou endommager la surface en silicone.

**IMPORTANT:** le manque de détartrage ou la non observation des présentes instructions peut annuler la garantie.

## ENTREPOSAGE

Débranchez toujours la cafetière filtre automatique de l'alimentation lorsqu'elle n'est pas utilisée.

## DONNÉES TECHNIQUES

Voltage nominal EURO	220 - 240 V~ 50/60 Hz
Voltage nominal USA	120 V~ 60 Hz
Puissance nominale EURO	1450 W
Puissance nominale USA	1450 W
Longueur de cordon	80 cm
Capacité en volume	1,2 litre / 40 fl. oz
Certifications	GS, CE, ETL, CETL

## **SERVICE APRES-VENTE & GARANTIE**

Tous les produits BODUM® sont fabriqués avec des matériaux de qualité très solides. S'il fallait cependant remplacer certaines pièces, vous trouveriez tous les renseignements nécessaires auprès de votre revendeur BODUM®, d'un BODUM® shop, de la représentation BODUM® dans votre pays ou encore sur notre site web, à l'adresse [www.bodum.com](http://www.bodum.com).

**Garantie:** BODUM® garantit la cafetière filtre automatique «BISTRO» pendant 2 ans à partir de la date d'achat contre les défauts de matériel ou les défaillances pouvant être dus à des défauts de fabrication ou de conception. La réparation est gratuite à condition que toutes les conditions de garantie soient remplies. Il ne sera effectué aucun remboursement.

**Conditions de garantie:** le certificat de garantie doit être dûment complété par le vendeur au moment de l'achat. BODUM® décline toute responsabilité en cas de dommages résultant d'une utilisation autre que celles prévues, d'une manipulation inadéquate, d'une usure normale, d'un entretien incomplet ou incorrect ou d'une intervention ou réparation réalisée par une personne non autorisée.

## **ELIMINATION RESPECTUEUSE DE L'ENVIRONNEMENT**

Il est interdit d'éliminer tout appareil électrique avec les ordures ménagères; ceux-ci doivent être collectés séparément. Chaque individu est libre d'éliminer tout appareil électrique dans des centres d'élimination des déchets. Le propriétaire d'un appareil usé s'engage à emmener tout appareil électrique dans un centre de collecte ou de soumettre celui-ci à toute collecte appropriée. Grâce à ce geste, vous contribuez au recyclage des matières premières de valeur ainsi qu'au traitement approprié des substances nuisibles.



## Velkommen til BODUM®

*Tillykke! Du er den stolte ejer af en BISTRO kaffebrygger med overhældning fra BODUM®. Læs denne vejledning omhyggeligt, inden du bruger kaffebryggeren med overhældning.*

## VIGTIGE SIKKERHEDSANVISNINGER

- Læs alle oplysningerne omhyggeligt, før du bruger apparatet første gang. Manglende overholdelse af vejledningen og sikkerhedsanvisningerne kan føre til farlige situationer.
- Kontrollér apparatet for skader efter udpakning. Tag ikke apparatet i brug, og kontakt forhandleren, hvis du er i tvivl om dets tilstand.
- Opbevar emballagen (pap, plastposer osv.) utilgængeligt for børn (risiko for kvælning eller skade).
- Anvend kun apparatet til det formål, som det er beregnet til.
- Denne kaffebrygger med overhældning er kun beregnet til indendørs brug i hjemmet. Må ikke anvendes udendørs.
- Placer ikke apparatet på eller i umiddelbar nærhed af en tændt, varm gasplade eller elektrisk kogeplade eller i en forvarmet ovn.
- Producenten er ikke ansvarlig for skader sket som følge af u hensigtsmæssig eller forkert brug. Brug kun apparatet til det formål, det er beregnet til.
- Tillad ikke børn at lege med apparatet.
- Omhyggeligt opsyn er nødvendigt, når apparatet anvendes af børn eller personer, der ikke er bekendte med det.
- Dette apparat må ikke anvendes af personer (inkl. børn) med nedsatte fysiske, sensoriske eller psykiske evner, eller manglende erfaring eller viden, medmindre de er under tilsyn eller har modtaget instruktion i brugen af apparatet af en person med ansvar for deres sikkerhed. Børn bør holdes under opsyn for at sikre, at de ikke leger med apparatet.
- Lad ikke apparatet komme i kontakt med fugtige eller våde hænder. Rør ikke ved ledningen eller stikket med våde hænder.
- Rør ikke ved varme overflader. Hold kun termokanden og filterholderen i hånden.
- Brug ikke tilbehør, der ikke er anbefalet af apparatets producent. Dette kan resultere i brand, elektrisk stød eller skader.
- Til USA – Canada: Dette apparat har et polariseret stik (det ene ben er bredere end det andet). For at mindske risikoen for elektrisk stød passer dette stik kun ind i en polariseret stikkontakt på én måde. Hvis stikket ikke passer helt ind i kontakten, så vend stikket om. Hvis det stadig ikke passer, skal du kontakte en uddannet elektriker. Du må ikke ændre stikket på nogen måde.
- Apparatet må ikke tændes uden vand.
- Fyld ikke vandtanken (2) over MAX-stregen.
- Apparatet må aldrig tændes uden drypfunktionen (11) og filterholderen (6).

- Undgå kontakt med den damp, der dannes under brygningen. Ellers kan der være risiko for skoldning.
- Skoldning kan forekomme, hvis låget fjernes under brygningen.
- Kogende vand kan forårsage forbrændinger.
- Sørg for, at TÆND/SLUK-knappen (15) altid er let tilgængelig.
- **FORSIGTIG:** Med henblik på at forebygge skader på apparatet må der ikke benyttes basiske rengøringsmidler. Brug en blød klud og et mildt sæbemiddel.
- Nedsenk aldrig apparatet i vand. Husk, at dette er et elektrisk apparat.
- Brug kun en fugtig klud til at rengøre kabinettet (1).
- Tryk på TÆND/SLUK-knappen (15), og træk stikket ud af stikkontakten for at slukke apparatet.
- Træk altid i stikket og ikke ledningen, når apparatet fjernes fra strømforsyningen.
- Lad ikke ledningen hænge ud over bordkanter eller køkkenborde, og lad den ikke komme i kontakt med varme overflader.
- Tag ledningen ud af stikkontakten, hvis kaffebryggeren ikke er i brug, eller før du rengør kaffebryggeren. Lad apparatet afkøle før rengøring og før påsætning eller fjernelse af dele.
- Brug aldrig et elektrisk apparat, hvis ledningen eller stikket er beskadiget, hvis apparatet ikke fungerer eller er blevet beskadiget på nogen måde. Bring straks apparatet til dit nærmeste autoriserede servicecenter for undersøgelse, reparation eller justering, hvis dette er tilfældet.
- Forsøg aldrig at udskifte apparatets ledning. Dette kræver specialværktøj. Lad kun et servicecenter, der er godkendt af producenten, reparere apparatet eller udskifte ledningen for at sikre, at apparatet forbliver sikkert.
- Nedsenk aldrig ledningen, stikket eller apparatet i vand eller anden væske, da dette kan forårsage brand, elektrisk stød eller skader.
- Sørg for, at den overflade apparatet placeres på, er tør før brug.
- Sørg altid for at kabinetlåget (5), filterholderen (6) og kaffefiltret (7) sidder på apparatet under brug.

## INSTALLATION

- Anbring apparatet på en stabil, vandret overflade, der ikke er varm eller i nærheden af en varmekilde. Overfladen skal være tør. Hold apparatet og ledningen utilgængelig for børn.
- Når kaffebryggeren med overhældning bruges, må kabinettet (1) aldrig placeres på en metalbakke eller en anden metaloverflade.
- Kontrollér, at spændingen angivet på apparatets mærkeplade svarer til netspændingen i din region. Tilslut kun apparatet til en korrekt jordet stikkontakt med en minimal udgangsstrøm på 6 A (brug en fejlstrømsafbryder [RCD]). Spørg din elektriker om råd, hvis det er nødvendigt). Stikkontakten skal være lettilgængelig, mens apparatet er i brug, i tilfælde af en nødsituation. Producenten er ikke ansvarlig for skader sket som følge af defekt eller manglende jordforbindelse af apparatet.
- Hvis stikkontakten ikke passer til stikket på apparatet, skal stikkontakten udskiftes af en godkendt elektriker.

# GEM DISSE BETJENINGSANVISNINGER ET SIKKERT STED

- 1 Kabinet
- 2 Vandtank
- 3 Vandtankshåndtag
- 4 Låg til vandtank
- 5 Kabinetlåg
- 6 Filterholder
- 7 Kaffefilter
- 8 Termokande
- 9 Doseringslåg
- 10 Låghætte
- 11 Drypfunktion
- 12 Stor prop
- 13 Lille prop
- 14 Sikkerhedsafbryder
- 15 TÆND/SLUK-knap og målestok
- 16 BODUM måleske

## VIGTIGE OPLYSNINGER

### LEDNING

- Apparatet er udstyret med en kort ledning for at minimere risikoen for at blive viklet ind i eller snuble over en længere ledning.
- En forlængerledning kan bruges, hvis den bruges med den nødvendige forsigtighed.
- Hvis en forlængerledning anvendes, skal den nominelle spænding mindst svare til apparatets. Hvis apparatet er jordforbundet, skal forlængerledningen være en jordforbundet ledning med 3 ledere. Den længere ledning skal lægges således, at den ikke hænger ud over bordkanter eller hjørner på køkkenborde, sådan at børn ikke kan trække i den, man ikke kan snuble over den.

### MANUEL SLUKNING AF KAFFEBRYGGEREN MED OVERHÆLDNING

Kaffebryggeren med overhældning kan altid slukkes ved brug af TÆND/SLUK-knappen (15).

### SIKKERHEDSAFBRYDER

Kaffebryggeren med overhældning er beskyttet mod skader, der sker som følge af utilstrækkelig vand. En sikkerhedsafbryder vil automatisk slukke for apparatet, hvis den er tom eller hvis varmeelementet bliver for varmt.

Kaffebryggeren med overhældning er beskyttet mod skader, der sker som følge af kalkaflejringer. En sikkerhedsafbryder slukker automatisk for apparatet hvis det er tilkalket. Hvis TÆND/SLUK-knappen (15) lyser rødt, skal kaffebryggeren med overhældning afkalkes, da maskinen ikke vil fungere før problemet er udbedret.

#### FØR BRUG AF KAFFEBRYGGEREN MED OVERHÆLDNING

Rengør apparatet, før du bruger det første gang. For at gøre dette skal vandtanken (2) fyldes med vand til MAX-stregen, og lad apparatet køre med filterholderen (6), kaffefiltret (7) og termokanden (8), men uden malet kaffe. Bagefter hældes vandet væk.

#### SÅDAN BRUGES KAFFEBRYGGEREN MED OVERHÆLDNING

- Åbn låget (4) på vandtanken og fyld den med den ønskede mængde koldt vand. Dog ikke over MAX-stregen. Luk låget (4).
- Du kan også tage vandtanken (2) ud for at fylde den med vand eller når apparatet rengøres. For at gøre dette, skal vandtankens låg (4) fjernes, og vandtanken (2) løftes forsigtigt lodret op og ud af kaffebryggeren med overhældning ved hjælp af håndtaget (3).

**Bemærk:** Hvis vandtanken (2) er tom eller ikke er på plads vil apparatet af sikkerhedsgrunde ikke tænde, for at undgå at varmeelementet kører mens det er tørt.

**Advarsel:** Fyld kun vandtanken (2) op med koldt, rent vand. Tilføj ikke mælk eller andre væsker til vandtanken.

- Fjern termokanden (8) fra kaffebryggeren med overhældning. Tag nu filterholderen (6) med det isatte kaffefilter (7) forsigtigt ud af kabinettet (1) på kaffebryggeren med overhældning. For at lave en kande kaffe, skal kaffefiltret (7) fyldes med ca. 8 BODUM® måleskeer (16) af mellemfint-malet kaffe. For en mindre mængde kaffe, vil du skulle bruge en passende reduceret mængde af mellemfint-malet kaffe. (Se tabellen med oplysninger om „Anbefalet dosering“.) Skub nu filterholderen (6) med det indsatte kaffefilter (7) forsigtigt tilbage i kabinettet (1) på kaffebryggeren med overhældning.

**FORSIGTIG:** Brug kun det kaffefilter (7), der følger med apparatet. Brug aldrig papirfiltre.



- Før termokanden (8), med det påsatte doseringslåg (9) og låghætte (10), ind i kaffebryggeren med overhældning. Sørg for at termokanden (8) er placeret lige under filterholderen (6).

**Bemærk:** Sikkerhedsafbryderen (14) registrerer når termokanden (8) er på plads i apparatet. Hvis termokanden ikke er placeret korrekt i kaffebryggeren med overhældning, vil apparatet ikke tænde.

- Tryk på TÆND/SLUK-knappen (15). TÆND/SLUK-knappen lyser grønt under brygningen.
- Efter et par sekunder vil vandet begynde at løbe igennem drypfunktionen (11), ind i filterholderen (6) og herefter ned i termokanden (8). Processen tager ca. 6 minutter for en kande kaffe (1,2l/40 oz).
- Kaffebryggeren med overhældning slukker automatisk så snart vandtanken (2) er tom.

**Bemærk:** Kaffebryggeren med overhældning vil også slukke automatisk så snart termokanden (8) fjernes fra apparatet under brygningen.

- For at genoptage brygningen, skal der trykkes på TÆND/SLUK-knappen (15) igen, når termokanden (8) er sat korrekt tilbage i kaffebryggeren med overhældning.

## RENGØRING AF KAFFEBRYGGEREN MED OVERHÆLDNING

- Brug aldrig kemikalier, ståluld eller slibemidler til at rengøre kaffebryggeren med overhældning.
- Brug kun en fugtig klud til at rengøre kabinettet (1).
- Nedsænk aldrig kabinettet i vand. Husk, at dette er et elektrisk apparat.

**Bemærk:** Fjern altid ledningen fra strømforsyningen, inden kaffebryggeren med overhældning rengøres.

- Rengør kaffebryggeren med overhældning efter hver brug, når det er muligt. De følgende dele kan vaskes i opvaskemaskine (kun i opvaskemaskinens øverste skuffe):

- 2 Vandtank
- 3 Vandtankshåndtag
- 4 Låg til vandtank
- 6 Filterholder
- 7 Kaffefilter
- 9 Doseringslåg
- 10 Låghætte
- 11 Drypfunktion
- 12 Stor prop
- 13 Lille prop
- 16 Måleske

- Skru doseringslåget (9) af termokanden (8) for en simpel rengøring. Rens termokanden (8) grundigt med varmt vand efter brug.

**Advarsel:** Termokanden (8) kan ikke vaskes i opvaskemaskine. Nedsæk ikke termokanden i vand.

- For en nemmere rengøring kan låghætten (10) fjernes ved at trække den af doseringslåget (9). Både doseringslåg og låghætte kan vaskes i opvaskemaskine.

## VEDLIGEHOLDELSE OG PLEJE

### AFKALKNING AF KAFFEBRYGGEREN MED OVERHÆLDNING

- For at garantere at kaffebryggeren med overhældning fungerer korrekt, skal du sørge for at maskinen er fri for kalkaflejringer. Den optimale cyklus afhænger af vandets hårdhed, der er forskellig fra land til land. Vi anbefaler at afkalke maskinen efter hver 100 anvendelser.

**Vigtigt:** Hvis kaffebryggeren med overhældning ikke afkalkes kan det resultere i skader!

- Hvis tilkalkning automatisk slukker for apparatet, vil TÆND/SLUK-knappen (15) lyse rød. Du skal derefter afkalke kaffebryggeren med overhældning med det samme, da maskinen ikke længere vil fungere.
- Regelmæssig afkalkning kan forlænge produktets levetid, og sikre at den fungerer uden problemer. Derudover vil regelmæssig afkalkning resultere i mindre dampdannelse, hurtigere brygning og et lavere energiforbrug.
- Aflejringer bør fjernes med en kommercielt tilgængelig kalkfjerner til kaffemaskiner, eller en opløsning af eddike og vand (20 % eddike og 80 % vand). Når du bruger et kommercielt tilgængeligt afkalkningsmiddel, skal du sørge for at det er egnet til brug med varmeelementer af kobber såvel som silikonematerialer. (Kontroller producentens specifikationer og doseringsanbefalinger grundigt).
- Fyld vandtanken (2) med afkalkningsmiddel eller en opløsning af eddike og vand (ikke over MAX-stregen), og placer drypfunktionen (11), filterholderen (6), kaffefiltret (7) (uden malet kaffe) og termokanden (8), med doseringslåget (9/10), på deres pladser i apparatet.
- Rens derefter de enkelte dele grundigt med koldt vand, og rens apparatet ved at køre den igennem med koldt, rent vand mindst to gange. Sørg for at alle de enkelte dele er korrekt samlet i kaffebryggeren med overhældning før du gør dette.
- Enhver anden reparation og vedligeholdelse skal udføres af et autoriseret servicecenter.

## RENGØRING AF DRYPFUNKTIONEN

Drypfunktionen (11) kan rengøres og afkalkes separat. Fjern kabinetlåget (5) fra kabinettet (1) på kaffebyggeren med overhældning for at gøre dette. Løft derefter forsigtigt drypfunktionen (11) lodret op og ud af kaffebyggeren med overhældning. Fjern nu den store prop (12) og den lille prop (13) ved at trække disse langsomt ud af drypfunktionen. Rengør alle dele grundigt med afkalkningsmidlet. Rens derefter alle dele grundigt med rent vand, før drypfunktionen forsigtigt samles igen. Sørg for, at den store prop og lille prop er korrekt placeret og er sikkert fæstnet. Sæt nu drypfunktionen tilbage i kaffebyggeren med overhældning, og sæt kabinetlåget forsigtigt på plads igen.

**FORSIGTIG:** Brug ikke hårde børster eller spidse genstande, når drypfunktionen rengøres, da disse kan ridse eller beskadige silikoneoverfladen.

**VIGTIGT:** Garantien bortfalder, hvis afkalkning ikke udføres eller ikke udføres i overensstemmelse med betjeningsvejledningen.

## OPBEVARING

Sørg altid for, at kaffebyggeren med overhældning ikke er tilsluttet strømforsyningen, når den ikke er i brug.

### TEKNISKE DATA

EURO netspænding	220 - 240 V~ 50/60 Hz
USA netspænding	120 V~ 60 Hz
Nominel effekt EURO	1450 W
Nominel effekt USA	1450 W
Ledningslængde	80 cm
Rumfang	1,2 liter / 40 fl. oz
Testcertifikater	GS, CE, ETL, CETL

## **SERVICE OG GARANTIBETINGELSER**

Alle BODUM® produkter er fremstillet af holdbare materialer af høj kvalitet. Skulle der alligevel være dele, der skal udskiftes, så kontakt din BODUM®-forhandler, en BODUM®-forretning, BODUM®-repræsentanten i dit land, eller besøg [www.bodum.com](http://www.bodum.com).

**Garanti:** BODUM® giver to års garanti fra købsdatoen på denne „BISTRO“ kaffebrygger med overhældning. Dette dækker fejl i materialer og fejlfunktioner som følge af fejl i fremstilling eller design. Reparationer er gratis, hvis alle garantiens betingelser overholdes. Tilbagebetalinger er ikke mulige.

**Garantibetingelser:** Garantibeviset skal udfyldes af sælger på købstidspunktet. BODUM® garantien dækker ikke, hvis skaden skyldes forkert brug, forkert betjening, normalt slid og ælde, utilstrækkelig eller forkert behandling eller vedligeholdelse og forkert betjening eller håndtering af uautoriserede personer.

## **MILJØVENLIG BORTSKAFFELSE**

Det er ikke tilladt at bortskaffe elektriske apparater sammen med almindeligt husholdningsaffald. De skal bortskaffes separat. Det er gratis for privatpersoner at bortskaffe disse på genbrugsstationer. Ejeren af det brugte apparat er forpligtet til at tage det elektriske apparat til en genbrugsstation, eller til at sende det til korrekt indsamling. Med denne lille personlige ulejlighed giver du et bidrag til at sikre, at værdifulde råmaterialer genbruges og skadelige stoffer behandles korrekt.

## Bienvenido a BODUM®

*¡Enhorabuena! Es usted el flamante propietario de la cafetera de filtro BISTRO de BODUM®. Lea atentamente estas instrucciones antes de usar su cafetera.*

# INSTRUCCIONES DE SEGURIDAD IMPORTANTES

- Lea las instrucciones de principio a fin antes de utilizar el aparato por primera vez. No seguir las instrucciones y hacer caso omiso de la información relativa a seguridad puede generar situaciones peligrosas.
- Desembale el aparato y compruebe que no presente daños. Si no está seguro de si el aparato está dañado o no, no lo utilice y póngase en contacto con el distribuidor.
- Mantenga los embalajes (cartón, bolsas de plástico, etc.) fuera del alcance de los niños, ya que pueden provocar asfixia o lesiones.
- No utilice el aparato para cualquier otro fin que no sea el previsto para el mismo.
- Esta cafetera de filtro ha sido diseñada para uso doméstico en interiores exclusivamente. No la utilice en exteriores.
- No coloque el aparato cerca de o sobre hornillos eléctricos o de gas encendidos ni de hornos precalentados.
- El fabricante no se hace responsable de los daños o lesiones que pudieran derivarse de un uso inadecuado o distinto de aquel para el que el aparato ha sido diseñado. Utilice el aparato exclusivamente para el fin para el que ha sido concebido.
- No permita que los niños jueguen con el aparato.
- Cuando utilice el aparato cerca de niños o personas no familiarizadas con el mismo, asegúrese de supervisar atentamente el funcionamiento del mismo en todo momento.
- Este aparato no debe ser utilizado por niños o por personas que tengan mermadas sus facultades físicas, sensoriales o mentales o que carezcan de los conocimientos o la experiencia necesarios, a menos que las mismas reciban instrucciones acerca de cómo utilizar el aparato de la persona responsable de su seguridad y siempre que ésta les supervise mientras lo utilizan. Vigile a los niños para asegurarse de que no jueguen con el aparato.
- No toque el aparato con las manos húmedas o mojadas. No toque el cable o el enchufe con las manos húmedas o mojadas.
- No toque las superficies calientes. Sujete el termo y el receptáculo del filtro únicamente por las asas.
- No utilice ningún accesorio que no haya sido recomendado por el fabricante del aparato. Ello podría provocar incendios, descargas eléctricas o lesiones.
- Para EE. UU./Canadá: Este aparato incorpora un enchufe polarizado (una clavija es más ancha que la otra). Para reducir el riesgo de descargas eléctricas,

este enchufe sólo puede introducirse en una posición determinada en tomas polarizadas. Si no encaja perfectamente en la toma, déle la vuelta. Si aún así no consigue introducirlo sin forzarlo, póngase en contacto con un electricista cualificado. No modifique el enchufe de ninguna forma.

- Antes de encender el aparato, compruebe que el mismo tenga agua.
- Al llenar el depósito (2), cuide de que el nivel de agua no supere la línea marcada con MAX.
- No encienda nunca el aparato sin el difusor (11) y el receptáculo del filtro (6) instalados.
- Evite el contacto con el vapor que se genera durante el proceso de elaboración. De lo contrario, corre el riesgo de escaldarse.
- Pueden producirse quemaduras si se retira la tapa mientras el aparato está funcionando.
- El agua hirviendo puede provocar quemaduras.
- Asegúrese de que el botón ON/OFF (15) permanezca accesible en todo momento.
- PRECAUCIÓN: para evitar que el aparato sufra daños, no utilice productos alcalinos para limpiarlo; en su lugar, utilice un paño húmedo y un detergente suave.
- No sumerja nunca la cafetera en agua. Recuerde que se trata de un aparato eléctrico.
- Limpie la carcasa (1) únicamente con un paño húmedo.
- Pulse el botón ON/OFF (15) y desconecte el enchufe de la toma a fin de apagar el aparato.
- Para desenchufar el aparato de la toma de corriente, tire siempre del enchufe, nunca del cable.
- No deje el cable colgando por el borde de mesas o encimeras ni permita que entre en contacto con superficies calientes.
- Desenchufe el aparato de la toma de corriente si no está utilizando la cafetera o si va a limpiarla. Deje que el aparato se enfríe antes de retirar las piezas para limpiarlo.
- No ponga nunca en marcha el aparato eléctrico si el cable de alimentación o el enchufe están deteriorados, si se ha producido un funcionamiento incorrecto o si el aparato ha sufrido algún daño. En tales casos, lleve el aparato al centro autorizado más cercano para su revisión, reparación o ajuste.
- No intente nunca cambiar el cable de alimentación del aparato; para ello son necesarias herramientas especiales. Encargue la reparación del aparato o la sustitución del cable de alimentación a un centro autorizado por el fabricante para asegurarse de que el aparato reciba el trato adecuado.
- No sumerja el cable, el enchufe o el aparato en agua u otros líquidos, ya que podría provocar un incendio, una descarga eléctrica o lesiones.
- Antes de utilizar el aparato, asegúrese de que la superficie sobre la que está colocado esté seca.
- Coloque siempre la cubierta de la carcasa (5), el receptáculo del filtro (6) y el filtro de café (7) en el aparato antes de utilizarlo.

## INSTALACIÓN

- Coloque el aparato en una superficie estable y nivelada que no esté caliente ni se encuentre cerca de una fuente de calor. Además, asegúrese de que esté completamente seca. Mantenga el aparato y el cable fuera del alcance de los niños.
- Cuando use la cafetera de filtro, no coloque nunca la carcasa (1) sobre una bandeja o cualquier otra superficie metálica.
- Compruebe que la placa de identificación del aparato indica un voltaje acorde con la tensión de la red de suministro eléctrico. Conecte el aparato únicamente a un enchufe con toma de tierra debidamente instalado que tenga una corriente de salida de al menos 6 A. (Utilice un disyuntor de corriente residual [RCD]. Si es necesario, pida ayuda a un electricista.). Mientras el aparato está funcionando, es necesario que el enchufe esté accesible por si se produjera alguna emergencia. El fabricante no se hace responsable de los accidentes que se produzcan debido a una puesta a tierra deficiente o defectuosa del aparato.
- Si la toma de corriente no es adecuada para el enchufe del aparato, deberá acudir a un electricista autorizado para que le cambien la toma de corriente.

## GUARDE ESTAS INSTRUCCIONES EN LUGAR SEGURO

- 1 Carcasa
- 2 Depósito de agua
- 3 Asa del depósito de agua
- 4 Tapa del depósito de agua
- 5 Cubierta de la carcasa
- 6 Receptáculo del filtro
- 7 Filtro del café
- 8 Jarra térmica
- 9 Tapa dosificadora
- 10 Tapadera
- 11 Difusor
- 12 Tapón grande
- 13 Tapón pequeño
- 14 Interruptor de seguridad
- 15 Interruptor ON/OFF e indicador de acumulación de incrustaciones de calcio
- 16 Cacito de medida de BODUM

## INFORMACIÓN IMPORTANTE

### CABLE DE ALIMENTACIÓN

- El aparato se entrega con un cable de alimentación corto a fin de reducir el riesgo de que alguien pueda enredarse o tropezar con él.
- Si se adoptan las debidas precauciones puede usarse un alargador para el cable.
- En el caso de utilizar un alargador, los valores nominales del mismo deben corresponderse con los del aparato. Si el aparato está conectado a tierra, el cable del alargador debe ser trifilar y disponer de derivación a tierra. El cable debe colocarse de manera que no cuelgue por el borde de mesas o encimeras a fin de que los niños no puedan tirar del mismo y para que no sea posible tropezarse con él.

### APAGADO MANUAL DE LA CAFETERA DE FILTRO

El interruptor ON/OFF (15) permite apagar la cafetera de filtro en cualquier momento.

### APAGADO DE SEGURIDAD

La cafetera de filtro está protegida contra los daños causados por una cantidad insuficiente de agua. El apagado de seguridad desconecta el aparato automáticamente si se queda sin agua o si el dispositivo calefactor se calienta demasiado.

La cafetera de filtro está protegida contra los daños causados por la acumulación de incrustaciones de calcio. El apagado de seguridad desconecta el aparato automáticamente si presenta incrustaciones de calcio. Si el interruptor ON/OFF (15) se enciende en rojo, es necesario eliminar las incrustaciones de calcio de la cafetera de filtro porque, de lo contrario, el aparato no funcionará.

### ANTES DE USAR LA CAFETERA DE FILTRO

Limpie el aparato antes de usarlo por primera vez. Para ello, llene el depósito de agua (2) con agua hasta la línea marcada con MAX y haga funcionar el aparato con el soporte del filtro (6), el filtro del café (7) y la jarra térmica (8) instalados, pero sin café molido. A continuación, deseche el agua.

## CÓMO USAR LA CAFETERA DE FILTRO

- Abra la tapa (4) del depósito de agua y llénelo con la cantidad de agua fría que desee. No obstante, el agua no debe superar la línea marcada con MAX. Cierre la tapa (4).
- También puede extraer el depósito de agua (2) para llenarlo de agua o cuando desee limpiar el aparato. Para ello, quite la tapa (4) del depósito de agua y levante el depósito (2) con cuidado en vertical y hacia fuera de la cafetera sujetándolo por el asa (3).



**Nota:** si el depósito de agua (2) está vacío o no está bien colocado en su sitio, el aparato no se encenderá por motivos de seguridad, a fin de evitar que el dispositivo calefactor funcione mientras la cafetera no tiene agua.

**Advertencia:** llene el depósito de agua (2) únicamente con agua fría limpia. No vierta leche ni ningún otro líquido en el depósito de agua.

– Extraiga la jarra térmica (8) de la cafetera de filtro. Saque ahora con cuidado el receptáculo del filtro (6) con el filtro de café (7) fuera de la carcasa (1) de la cafetera. Para preparar una jarra de café llene el filtro de café (7) con unas 8 medidas de café medianamente molido; utilice los cacitos de BODUM® para medir el café. Si desea preparar menos café, reduzca el número de cacitos de café. (Consulte la tabla Dosificación recomendada.) Deslice con cuidado el receptáculo del filtro (6) con el filtro de café (7) nuevamente dentro de la carcasa de la cafetera.

**PRECAUCIÓN:** utilice sólo el filtro de café (7) suministrado con el aparato. No utilice nunca filtros de papel.

– Introduzca la jarra térmica (8) en la cafetera de filtro con la tapa dosificadora (9) y la tapadera (10) puestas. Asegúrese de que la jarra térmica (8) está colocada justo debajo del receptáculo del filtro (6).

**Nota:** el interruptor de seguridad (14) detecta cuándo la jarra térmica (8) está colocada en el aparato. Si la jarra térmica no está correctamente colocada, el aparato no se encenderá.

– Pulse el interruptor ON/OFF (15). El interruptor ON/OFF se ilumina en color verde durante el proceso de elaboración.

– Tras unos segundos, el agua empieza a fluir a través del difusor (11) y el receptáculo del filtro (6) hasta caer finalmente en la jarra térmica (8). Son necesarios aprox. 6 minutos para obtener una jarra entera de café (1,2 l).

– La cafetera de filtro se apaga automáticamente en cuanto se vacía el depósito de agua (2).

**Nota:** la cafetera también se apaga automáticamente cuando se saca la jarra térmica (8) del aparato mientras se está preparando el café.

– Para reanudar el proceso de nuevo basta con volver a pulsar el interruptor ON/OFF (15) después de colocar la jarra térmica (8) en su lugar en el aparato.

## LIMPIEZA DE LA CAFETERA DE FILTRO

– No utilice nunca productos químicos, lana de acero o detergentes abrasivos para limpiar la cafetera de filtro.

– Limpie la carcasa (1) únicamente con un paño húmedo.

– No sumerja nunca la carcasa en agua. Recuerde que se trata de un aparato eléctrico.

**Nota:** desenchufe siempre la cafetera eléctrica de la toma de corriente antes de limpiar el aparato.

– Siempre que sea posible, limpie la cafetera después de cada uso. Las siguientes piezas pueden lavarse en el lavavajillas (en la bandeja superior del mismo):

- 2 Depósito de agua
- 3 Asa del depósito de agua
- 4 Tapa del depósito de agua
- 6 Receptáculo del filtro
- 7 Filtro del café
- 9 Tapa dosificadora
- 10 Tapadera
- 11 Difusor
- 12 Tapón grande
- 13 Tapón pequeño
- 16 Cacito de medida

– Para una limpieza sencilla, desenrosque la tapa dosificadora (9) de la jarra térmica (8). Enjuague a fondo la jarra térmica (8) con agua caliente después de cada uso.

**Advertencia:** la jarra térmica (8) no puede lavarse en el lavavajillas. No sumerja la jarra térmica en agua.

– Extraiga la tapadera (10) tirando de la tapa dosificadora (9) para hacer más fácil la limpieza. Tanto la tapa dosificadora como la tapadera pueden lavarse en el lavavajillas.

## MANTENIMIENTO Y CUIDADOS

### ELIMINACIÓN DE LAS INCRUSTACIONES DE CALCIO DE LA CAFETERA DE FILTRO

– Para garantizar el correcto funcionamiento de la cafetera es necesario asegurarse de que la máquina no presente incrustaciones de calcio. La duración de cada ciclo depende de la dureza del agua, que varía de unas regiones a otras, pero se recomienda eliminar las incrustaciones de calcio una vez cada 100 utilizaciones.

**Importante:** no eliminar estas incrustaciones puede provocar daños en la cafetera.

– Si una acumulación excesiva provoca el apagado automático del aparato, el interruptor ON/OFF (15) se iluminará en color rojo. Deberá entonces eliminar las incrustaciones inmediatamente, ya que de lo contrario, la máquina no volverá a funcionar.

– La desincrustación periódica puede prolongar la vida útil del producto y garantiza un funcionamiento impecable. Además, con ello conseguirá que se forme menos vapor y se acorte el tiempo de preparación del café, y ahorrará energía.

– Las incrustaciones deben eliminarse con una solución descalcificadora para máquinas de café de venta en tiendas o con una solución de agua y vinagre (20 % de vinagre y 80 % de agua). Si utiliza una solución descalcificadora de venta en tiendas, asegúrese de que sea apta para su uso en elementos calefactores de cobre y silicona. (Lea atentamente las especificaciones y las instrucciones de dosificación del fabricante.)

- Llene el depósito de agua (2) con la solución descalcificadora o con una solución de agua y vinagre (tenga cuidado de no superar la línea marcada con MAX) y coloque el difusor (11), el receptáculo del filtro (6), el filtro de café (7) (sin café molido) y la jarra térmica (8) con la tapa dosificadora (9/10) en la posición correspondiente dentro del aparato.
- A continuación, enjuague a fondo cada una de las piezas con agua fría y después, el aparato; para ello, hágalo funcionar con agua fría y limpia al menos dos veces. Antes de proceder, asegúrese de que todas las piezas se han montado correctamente en la cafetera.
- Cualquier otro tipo de mantenimiento debe llevarse a cabo en un servicio técnico autorizado.

## LIMPIEZA DEL DIFUSOR

El difusor (11) puede limpiarse por separado para eliminar del mismo las incrustaciones de calcio. Para ello, retire la tapa (5) de la carcasa (1) de la cafetera de filtro. A continuación, levante el difusor (11) con cuidado en vertical y hacia fuera del aparato. Quite ahora el tapón grande (12) y el pequeño (13) tirando de ellos lentamente hacia fuera del difusor. Limpie a fondo todas las piezas con la solución descalcificadora. Enjuague seguidamente todas las piezas con agua limpia antes de volver a montar el difusor con cuidado. Asegúrese de que el tapón grande y el tapón pequeños estén correcta y firmemente colocados en su lugar. Vuelva a poner el difusor en la cafetera y coloque con cuidado la tapa de la carcasa.

**PRECAUCIÓN:** no utilice cepillos duros u objetos puntiagudos o afilados para limpiar el difusor, ya que podrían arañar o estropear la superficie de silicona.

**IMPORTANTE:** la garantía pierde su validez si no se eliminan las incrustaciones de calcio o si la operación no se realiza conforme a las instrucciones.

## ALMACENAMIENTO

Desenchufe siempre la cafetera eléctrica de la toma de corriente cuando no esté utilizándola.

## ESPECIFICACIONES TÉCNICAS

Tensión de red EUROPA	220 - 240 V~ 50/60 Hz
Tensión de red EE. UU.	120 V~ 60 Hz
Potencia nominal EUROPA	1450 W
Potencia nominal EE. UU.	1450 W
Longitud del cable	80 cm
Capacidad volumétrica	1,2 litros
Certificaciones	GS, CE, ETL, CETL

## CONDICIONES DE REPARACIÓN Y GARANTÍA

Todos los productos de BODUM® están fabricados con materiales duraderos y de alta calidad. No obstante, en caso de que sea necesario sustituir alguna pieza, póngase en contacto con el distribuidor de BODUM®, la tienda BODUM® o el representante general de BODUM® de su país, o visite el sitio web [www.bodum.com](http://www.bodum.com).

**Garantía:** BODUM® ofrece una garantía de 2 años de duración para su cafetera de filtro BISTRO, válida desde la fecha de la compra. Dicha garantía cubre defectos en los materiales o problemas de funcionamiento atribuibles a deficiencias en el diseño o la fabricación. Si se cumplen todos los requisitos de la garantía, las reparaciones son gratuitas. Sin embargo, no se admitirán devoluciones.

Condiciones de la garantía: el vendedor deberá cumplimentar el certificado de garantía en el momento de la compra. La garantía de BODUM® no cubre los daños atribuibles a un uso o manejo inadecuados, al desgaste normal por el uso del aparato, a un cuidado o mantenimiento deficientes o incorrectos, o a un manejo o manipulación indebidos por parte de personas no autorizadas.

## ELIMINACIÓN ECOLÓGICA DE LOS RESIDUOS

Es inadmisibles desechar los aparatos eléctricos arrojándolos al cubo de la basura doméstico; estos aparatos deben ser desechados por separado. Los particulares pueden deshacerse de ellos de forma gratuita en los centros de recogida pertinentes o puntos limpios. El propietario de aparatos usados está obligado a llevarlos a los puntos limpios o solicitar su retirada. Tomándose esta pequeña molestia estará contribuyendo a garantizar que las valiosas materias primas se reciclen y que las sustancias perniciosas reciban un tratamiento adecuado.

## Benvenuti a BODUM®

***Congratulazioni! Ora possedete una caffettiera automatica per infusione BISTRO di BODUM®. Leggete attentamente queste istruzioni prima di utilizzare l'apparecchio.***

## IMPORTANTI ISTRUZIONI DI SICUREZZA

- Leggere tutte le informazioni prima di utilizzare per la prima volta l'elettrodomestico. Il mancato rispetto delle istruzioni e delle avvertenze per la sicurezza può causare situazioni pericolose.
- Dopo avere disimballato l'apparecchio, verificare che non abbia subito danni. In caso di dubbio, non utilizzarlo e contattare immediatamente il rivenditore.
- Conservare l'imballaggio (cartone, sacchetto di plastica ecc.) fuori dalla portata dei bambini (rischio di soffocamento o di lesioni).
- Non utilizzare l'apparecchio per usi diversi da quelli descritti.
- Questa caffettiera automatica per infusione è adatta esclusivamente per uso domestico in un luogo chiuso. Non utilizzarla in ambienti esterni.
- Non appoggiare l'apparecchio sopra o vicino a fornelli elettrici caldi o fornelli a gas accesi oppure in un forno riscaldato.
- Il produttore declina ogni responsabilità per eventuali danni o lesioni derivanti da un uso inadeguato. Usare l'apparecchio esclusivamente per gli usi consentiti.
- Non permettere ai bambini di giocare con l'apparecchio.
- È sempre necessaria un'attenta supervisione quando l'elettrodomestico viene utilizzato nelle vicinanze di bambini o persone che non hanno dimestichezza con l'apparecchio.
- Questo apparecchio non deve essere usato da persone (inclusi i bambini) limitati nelle proprie facoltà fisiche, sensoriali o mentali o che non possiedono l'esperienza o la conoscenza sufficiente, a meno che vengano istruite e sorvegliate per l'uso dell'elettrodomestico da una persona responsabile della loro sicurezza. Sorvegliare sempre i bambini per assicurarsi che non giochino con l'apparecchio.
- Fare attenzione a non entrare in contatto con l'apparecchio quando si hanno le mani umide o bagnate. Non toccare il cavo o la spina di alimentazione con le mani bagnate.
- Non toccare mai le superfici calde. Afferrare sempre per il manico la brocca termica e il portafiltro.
- Non utilizzare alcun accessorio non approvato dal produttore poiché potrebbe causare incendi, scosse elettriche o danni alle persone.
- Per USA – Canada: questo elettrodomestico è dotato di una spina polarizzata (un connettore è più largo dell'altro). Per ridurre il rischio di scossa elettrica, questa spina può essere inserita in una presa polarizzata solo in un senso. Se la spina non entra completamente nella presa, capovolverla. Se anche così non entra, contattare un elettricista qualificato. Non modificare in alcun modo la spina.

- Non accendere l'apparecchio senza acqua.
- Non riempire il serbatoio dell'acqua (2) sopra la riga MAX.
- Non accendere mai l'apparecchio senza il diffusore del caffè (11) e il portafiltro (6).
- Evitare il contatto con il vapore prodotto durante l'infusione per non ustionarsi.
- C'è il pericolo di ustioni anche se si rimuove il coperchio durante i cicli di infusione.
- L'acqua bollente può provocare ustioni.
- Assicurarsi che il pulsante ON/OFF (15) resti facilmente accessibile in qualsiasi momento.
- ATTENZIONE: per non danneggiare l'apparecchio, non usare detergenti alcalini per la pulizia, bensì un panno morbido e un detergente delicato.
- Non immergere mai l'apparecchio nell'acqua. Si ricordi che questo è un apparecchio elettrico.
- Pulire la struttura esterna (1) solo con un panno inumidito.
- Per spegnere l'apparecchio, premere il pulsante ON/OFF (15) e scollegare il cavo dalla presa elettrica.
- Per scollegare l'apparecchio dall'alimentazione elettrica, afferrare sempre il connettore e non tirare mai il cavo.
- Non lasciare mai che il cavo penzoli dal tavolo o dal piano di lavoro o che venga in contatto con superfici calde.
- Scollegare la spina dalla presa elettrica se la caffettiera non viene usata e prima della pulizia. Lasciare raffreddare l'apparecchio prima di pulirlo e di applicare o rimuovere le parti.
- Non mettere mai in funzione un elettrodomestico in presenza di cavo o presa danneggiati, dopo l'insorgere di malfunzionamenti o dopo che ha subito danni di qualsiasi natura. In questi casi, portare l'apparecchio presso il centro assistenza autorizzato più vicino per un controllo, una riparazione o una regolazione.
- Non provare mai a sostituire il cavo di alimentazione dell'apparecchio. Per questo intervento sono necessari strumenti specifici. Fare riparare l'apparecchio o il cavo di alimentazione soltanto da un centro assistenza approvato dal produttore per garantire l'integrità dell'apparecchio stesso.
- Non immergere mai il cavo, la spina o l'apparecchio in acqua o in altri liquidi poiché ciò potrebbe causare incendi, scosse elettriche o lesioni.
- Prima dell'uso, controllare che la superficie su cui appoggiare l'apparecchio sia asciutta.
- Durante il funzionamento, applicare sempre sull'apparecchio il coperchio della struttura esterna (5), il portafiltro (6) e il filtro del caffè (7).

## INSTALLAZIONE

- Collocare l'apparecchio su una superficie piana stabile che non si surriscaldi, né che si trovi nelle vicinanze di una fonte di calore. La superficie deve essere asciutta. Tenere l'apparecchio e il cavo di alimentazione fuori dalla portata dei bambini.
- Quando si usa la caffettiera automatica per infusione, non collocare la struttura esterna (1) su una lastra di metallo o su un'altra superficie metallica.
- Verificare che la tensione di rete indicata sulla targhetta dell'apparecchio corrisponda alla tensione di rete del proprio paese. Collegare l'apparecchio soltanto a una presa a muro provvista di una corretta messa a terra, con una potenza di almeno 6 A (utilizzare un interruttore differenziale (RCD); per informazioni, contattare un elettricista qualificato). La presa a muro deve essere facilmente accessibile mentre l'apparecchio è in uso, per potere intervenire in caso di emergenza. Il produttore declina ogni responsabilità per incidenti causati da errata o mancante messa a terra dell'apparecchio.
- Qualora la presa di corrente non fosse idonea alla spina dell'apparecchio, fare sostituire la presa da un elettricista qualificato.

## CONSERVARE QUESTE ISTRUZIONI PER L'USO IN UN LUOGO SICURO

- 1 Struttura esterna
- 2 Serbatoio dell'acqua
- 3 Manico del serbatoio dell'acqua
- 4 Coperchio del serbatoio dell'acqua
- 5 Coperchio della struttura
- 6 Portafiltro
- 7 Filtro del caffè
- 8 Brocca termica
- 9 Coperchio di dosaggio
- 10 Tappo del coperchio
- 11 Diffusore del caffè
- 12 Tappo grande
- 13 Tappo piccolo
- 14 Interruttore di sicurezza
- 15 Pulsante ON/OFF e indicatore di incrostazione
- 16 Misurino BODUM

## INFORMAZIONI IMPORTANTI

### CAVO DI ALIMENTAZIONE

- L'apparecchio è dotato di un cavo di alimentazione piuttosto corto per ridurre al minimo il rischio che le persone possano inciampare o calpestare il cavo.
- Facendo particolare attenzione, è possibile utilizzare una prolunga elettrica.

- Se viene utilizzata una prolunga, i valori nominali indicati devono corrispondere a quelli dell'apparecchio. Se l'apparecchio è collegato a terra, la prolunga deve essere un cavo con messa a terra con almeno 3 conduttori. Non lasciare mai che un lungo cavo penzoli dal tavolo o dal piano di lavoro; i bambini non devono poter essere in grado di tirarlo e non deve esservi il rischio di inciamparvi.

**SPEGNIMENTO MANUALE DELLA CAFFETTIERA AUTOMATICA PER INFUSIONE**  
Tramite il pulsante ON/OFF (15) è possibile spegnere in qualsiasi momento la caffettiera automatica per infusione.

#### SPEGNIMENTO DI SICUREZZA

La caffettiera automatica per infusione è protetta da eventuali danni causati da acqua insufficiente. In mancanza di acqua o in caso di surriscaldamento dell'elemento radiante, una funzione di sicurezza spegne automaticamente l'apparecchio.

La caffettiera automatica per infusione è protetta da eventuali danni causati da incrostazioni. In caso di incrostazioni, la funzione di sicurezza spegne automaticamente l'apparecchio. Se il pulsante ON/OFF (15) si illumina di rosso, significa che occorre disincrostare la caffettiera automatica per infusione per garantirne il corretto funzionamento.

#### OPERAZIONI PRELIMINARI ALL'USO DELLA CAFFETTIERA

Pulire l'apparecchio prima di usarlo per la prima volta. A questo scopo, riempire con acqua il serbatoio dell'acqua (2) fino al livello MAX e far funzionare l'apparecchio con il portafiltro(6), il filtro del caffè (7) e la brocca termica (8) montati, ma senza caffè macinato. Quindi buttare semplicemente via l'acqua.

### **ISTRUZIONI PER L'USO DELLA CAFFETTIERA AUTOMATICA PER INFUSIONE**

- Aprire il coperchio (4) del serbatoio d'acqua e versare acqua fredda nella quantità desiderata. Non riempire oltre la riga MAX. Chiudere il coperchio (4).
- È possibile anche togliere il serbatoio (2) per riempirlo d'acqua o per pulire l'apparecchio. Per far ciò, togliere il coperchio (4) del serbatoio dell'acqua ed estrarre con attenzione il serbatoio (2) tirandolo verso l'alto in direzione verticale e tenendolo per il manico (3).

**Nota:** se il serbatoio dell'acqua (2) è vuoto o se non è applicato, l'apparecchio non si accende per motivi di sicurezza, al fine di impedire il funzionamento dell'elemento radiante quando è asciutto.

**Avviso:** riempire il serbatoio dell'acqua (2) solo con acqua fredda pulita. Non aggiungervi latte o altri liquidi.

- Rimuovere la brocca termica (8) dalla caffettiera automatica per infusione. Ora togliere delicatamente il portafiltro (6) con dentro il filtro del caffè (7) dalla struttura (1) della caffettiera automatica per infusione. Per ottenere



una brocca di caffè, riempire il filtro del caffè (7) con circa 8 misurini BODUM® (16) di caffè macinato fine. Per una quantità inferiore di caffè, usare una quantità minore di caffè macinato fine. (Consultare la tabella con le informazioni sul "dosaggio consigliato"). Ora inserire delicatamente il portafiltro (6) con dentro il filtro del caffè (7) nella struttura della caffettiera automatica per infusione.

**ATTENZIONE:** usare solo filtri per caffè (7) forniti con l'apparecchio. Non usare mai filtri di carta.

– Inserire la brocca termica (8) nella caffettiera automatica per infusione con il coperchio di dosaggio (9) e il tappo del coperchio (10) applicati. Controllare che la brocca termica (8) sia posizionata esattamente sotto al portafiltro (6).

**Nota:** l'interruttore di sicurezza (14) rileva la brocca termica (8) quando viene collocata nell'apparecchio. Se la brocca termica non è posizionata correttamente nella caffettiera automatica per infusione, la caffettiera non si accende.

– Premere il pulsante ON/OFF (15). Il pulsante ON/OFF resta illuminato di verde per tutto il processo di infusione.

– Dopo alcuni secondi l'acqua comincia a scorrere attraverso il diffusore del caffè (11) nel portafiltro (6) e successivamente nella brocca termica (8). Questo processo impiega circa 6 minuti per preparare una brocca di caffè (1,2l/40 oz).

– La caffettiera automatica per infusione si spegne automaticamente non appena il serbatoio dell'acqua (2) si svuota.

**Nota:** la caffettiera automatica per infusione si spegne automaticamente anche quando si toglie la brocca termica (8) dall'apparecchio durante il processo di infusione.

– Per riprendere il processo di infusione, premere semplicemente il pulsante ON/OFF (15) di nuovo dopo avere riposizionato la brocca termica (8) nella posizione corretta nella caffettiera automatica per infusione.

## **PULIZIA DELLA CAFFETTIERA AUTOMATICA PER INFUSIONE**

– Non utilizzare mai sostanze chimiche, pagliette metalliche o agenti abrasivi per pulire la caffettiera automatica per infusione.

– Pulire la struttura esterna (1) solo con un panno inumidito.

– Non immergere mai la struttura esterna nell'acqua. Si ricordi che questo è un apparecchio elettrico.

**Nota:** scollegare sempre la caffettiera automatica per infusione dalla rete elettrica prima di pulirla.

– Se possibile, pulire la caffettiera automatica per infusione dopo ogni utilizzo. Le parti seguenti sono lavabili nella lavastoviglie (solo nello scomparto superiore):

- 2 Serbatoio dell'acqua
- 3 Manico del serbatoio dell'acqua
- 4 Coperchio del serbatoio dell'acqua
- 6 Portafiltro
- 7 Filtro del caffè
- 9 Coperchio di dosaggio
- 10 Tappo del coperchio
- 11 Diffusore del caffè
- 12 Tappo grande
- 13 Tappo piccolo
- 16 Misurino

– Per una pulizia semplice, svitare il coperchio di dosaggio (9) dalla brocca termica (8). Sciacquare accuratamente la brocca termica (8) con acqua calda dopo l'uso.

**Avviso:** la brocca termica (8) non è adatta al lavaggio in lavastoviglie. Non immergerla mai nell'acqua.

– Il tappo del coperchio (10) può essere rimosso dal coperchio di dosaggio (9) per facilitarne la pulizia. Sia il coperchio di dosaggio che il tappo del coperchio sono lavabili in lavastoviglie.

## CURA E MANUTENZIONE

### DISINCROSTAZIONE DELLA CAFFETTIERA AUTOMATICA PER INFUSIONE

– Per garantire il corretto funzionamento della caffettiera automatica per infusione, è necessario evitare incrostazioni calcaree. Il ciclo ottimale dipende dalla durezza dell'acqua, che varia da paese a paese. Si consiglia di disincrostare la macchina dopo 100 utilizzi.

**Importante:** se non si esegue la disincrostazione della caffettiera automatica per infusione, questa potrebbe danneggiarsi!

– Se l'apparecchio è troppo incrostato e si spegne, il pulsante ON/OFF (15) si illumina automaticamente di rosso. In questo caso è necessario disincrostare immediatamente la caffettiera automatica per infusione perché cesserebbe di funzionare.

– Una disincrostazione regolare può prolungare la durata del prodotto e garantisce un funzionamento esente da difetti. Inoltre, con una disincrostazione periodica si forma meno vapore, i tempi di infusione si riducono e si risparmia energia.

– Per rimuovere i depositi di calcare, usare una soluzione disincrostante comunemente in commercio per le caffettiere o una soluzione di acqua e aceto (20% aceto e 80% acqua). Quando si utilizza una soluzione disincrostante comunemente in commercio, assicurarsi che sia idonea all'uso con elementi radianti di rame e con materiali in silicone. (Controllare con attenzione le specifiche e le istruzioni per il dosaggio fornite dal produttore).

- Riempire il serbatoio dell'acqua (2) con la soluzione disincrostante o di acqua e aceto, senza superare la riga MAX, e collocare il diffusore (11), il portafiltro (6), il filtro del caffè (7) (senza caffè macinato) e la brocca termica (8) con il coperchio di dosaggio (9/10) inseriti nell'apparecchio nelle posizioni previste.
- Sciacquare quindi accuratamente le singole parti con acqua fredda e sciacquare l'apparecchio sotto acqua fredda corrente per almeno due volte. Prima di questa operazione, controllare che tutte le parti separate siano state riassemblate correttamente nella caffettiera automatica per infusione.
- Qualsiasi altra operazione di manutenzione deve essere effettuata da un centro assistenza autorizzato.

### **PULIZIA DEL DIFFUSORE DEL CAFFÈ**

Il diffusore del caffè (11) può essere pulito e disincrostanto separatamente. A questo scopo, rimuove il coperchio della struttura (5) dalla struttura esterna (1) della caffettiera automatica per infusione. Quindi sollevare il diffusore del caffè (11) con attenzione in direzione verticale e verso l'altro per estrarlo dalla caffettiera. Rimuovere ora il tappo grande (12) e il tappo piccolo (13) tirandoli lentamente fuori dal diffusore. Pulire accuratamente tutte le parti con una soluzione disincrostante. Sciacquare successivamente con cura tutte le parti con acqua pulita prima di riassemblare il diffusore. Assicurarsi che il tappo grande e il tappo piccolo siano inseriti correttamente e saldamente nelle posizioni corrette. Riposizionare ora il diffusore nella caffettiera automatica per infusione e rimettere a posto il coperchio della struttura.

**ATTENZIONE:** per pulire il diffusore del caffè, non utilizzare spazzole dure o oggetti affilati o appuntiti poiché potrebbero graffiare o danneggiare la superficie in silicone.

**IMPORTANTE:** la garanzia viene annullata se non si esegue periodicamente la disincrostazione o se questa non viene eseguita rispettando le apposite istruzioni.

### **CONSERVAZIONE**

Scollegare sempre la caffettiera automatica per infusione dalla rete elettrica quando non è in uso.

## DATI TECNICI

Tensione di rete EUROPA	220 - 240 V~ 50/60 Hz
Tensione di rete USA	120 V~ 60 Hz
Potenza nominale EUROPA	1450 W
Potenza nominale USA	1450 W
Lunghezza del cavo	80 cm
Capacità volumetrica	1,2 litri / 40 fl. oz
Contrassegni di test	GS, CE, ETL, CETL

## CONDIZIONI PER L'ASSISTENZA E LA GARANZIA

Tutti i prodotti BODUM® sono fabbricati utilizzando materiali robusti e di alta qualità. Tuttavia, se fosse necessario sostituire alcuni pezzi, contattare il rivenditore BODUM®, un negozio BODUM®, il distributore BODUM® nel proprio paese o visitare il sito [www.bodum.com](http://www.bodum.com).

**Garanzia:** Per la caffettiera automatica per infusione, BODUM® fornisce una garanzia di 2 anni, valida dalla data di acquisto, che include difetti dei materiali e del funzionamento attribuibili alla fabbricazione o a errori di progettazione. Se sono soddisfatte tutte le condizioni di garanzia, le riparazioni sono gratuite. Non è possibile richiedere rimborsi.

Condizioni per la garanzia: il certificato di garanzia deve essere compilato in tutte le sue parti dal rivenditore al momento dell'acquisto. BODUM® non concede alcuna garanzia per danni causati da uso improprio, impiego non conforme, normale usura, interventi di pulizia e manutenzione carenti o errati, utilizzo errato e interventi di persone non autorizzate.

## SMALTIMENTO SECONDO LE NORME DI TUTELA AMBIENTALE

È vietato smaltire le apparecchiature elettriche insieme ai normali rifiuti domestici, occorre smaltirle separatamente. Le apparecchiature possono essere conferite presso i centri di raccolta dei rifiuti. Il proprietario di un simile apparecchio è obbligato a portare gli apparecchi elettrici agli appositi centri di raccolta. Con questo intervento minimo, darete il vostro contributo per garantire che i materiali di valore vengano riciclati e che le sostanze nocive vengano trattate in modo appropriato.

## Welkom bij BODUM®

**Hartelijk gefeliciteerd! U bent nu de trotse eigenaar van een BISTRO filter-koffiezetapparaat van BODUM®. Lees deze instructies zorgvuldig door voordat u het filter-koffiezetapparaat gebruikt.**

# BELANGRIJKE VEILIGHEIDSVOORSCHRIFTEN

- Lees eerst alle informatie voordat u het apparaat voor het eerst gebruikt. Als de instructies en de veiligheidsvoorschriften niet worden opgevolgd, kunnen gevaarlijke situaties ontstaan.
- Controleer het apparaat na het uitpakken op beschadigingen. Als u het vermoeden hebt dat het apparaat is beschadigd, gebruikt u het dan niet maar neem contact op met de leverancier.
- Bewaar het verpakkingsmateriaal (doos, plastic zak, etc.) buiten bereik van kinderen (verstikkings- en verwondingsgevaar).
- Gebruik het apparaat alleen voor de doeleinden waarvoor het bestemd is.
- Dit filter-koffiezetapparaat is alleen bedoeld voor huishoudelijk gebruik binnenshuis. Gebruik het apparaat niet buiten.
- Zet het apparaat niet op of bij het fornuis of in een voorverwarmde oven.
- De fabrikant kan niet verantwoordelijk worden gehouden voor schade of letsel voortvloeiend uit verkeerd of oneigenlijk gebruik. Gebruik het apparaat alleen voor de doeleinden waarvoor het is bestemd.
- Laat nooit kinderen met het apparaat spelen.
- Nauwlettend toezicht is vereist wanneer het apparaat wordt gebruikt door of in de nabijheid van kinderen, of door personen die niet bekend zijn met het apparaat.
- Dit apparaat is niet bedoeld voor gebruik door personen (waaronder kinderen) met verminderde fysieke, sensorische of geestelijke vaardigheden, of een gebrek aan ervaring of kennis, tenzij ze onder toezicht staan van een verantwoordelijke persoon of deze persoon ze de gebruiksaanwijzingen van het apparaat heeft uitgelegd. Houd toezicht op kinderen, zodat ze niet met het apparaat gaan spelen.
- Raak het apparaat niet aan met vochtige of natte handen. Raak het netsnoer of de stekker niet aan met natte handen.
- Raak de hete gedeelten niet aan. Houd de thermoskan en de filterhouder alleen bij het handvat vast.
- Gebruik geen accessoires die niet zijn aanbevolen door de fabrikant van het apparaat. Dergelijke accessoires kunnen brand, elektrische schokken of letsel tot gevolg hebben.
- Voor de Verenigde Staten - Canada: Dit apparaat heeft een gepolariseerde stekker (de ene pen is iets breder dan de andere). Om het risico op een elektrische schok te voorkomen, past deze stekker maar op één manier in een gepolariseerde contactdoos. Als de stekker niet volledig in het stopcontact

- past, draai de stekker dan om. Als hij dan nog niet past, neem dan contact op met een gediplomeerd elektricien. Pas de stekker op geen enkele manier aan.
- Het apparaat mag niet worden ingeschakeld zonder water.
  - Vul het waterreservoir (2) niet verder dan de lijn MAX.
  - Het apparaat mag nooit worden ingeschakeld zonder de koffiesproeier (11) en filterhouder (6).
  - Vermijd contact met de stoom die tijdens het koffiezetten ontstaat. Hete stoom kan brandwonden veroorzaken.
  - Als het deksel wordt geopend tijdens het koffiezetten, kan hete stoom ontsnappen of kokend water opspatten.
  - Kokend water kan brandwonden veroorzaken.
  - Zorg dat de AAN/UIT-knop altijd gemakkelijk bereikbaar is.
  - WAARSCHUWING: gebruik geen alkalische reinigers bij het schoonmaken om schade aan het apparaat te voorkomen, maar een zachte doek en een mild reinigingsmiddel.
  - Dompel het apparaat nooit onder in water. Onthoud dat dit een elektrisch apparaat is.
  - Maak de ombouw (1) alleen schoon met een vochtige doek.
  - Druk op de AAN/UIT-knop (15) en haal de stekker uit het stopcontact om het apparaat uit te schakelen.
  - Wanneer u de stekker uit het stopcontact neemt, trek dan nooit aan het snoer, maar pak de stekker zelf vast.
  - Laat het snoer niet over de rand van het aanrecht of de tafel hangen en houd het uit de buurt van hete oppervlakken.
  - Neem de stekker uit het stopcontact als het koffiezetapparaat niet wordt gebruikt of als u het gaat schoonmaken. Laat het apparaat eerst afkoelen voordat u onderdelen opzet of verwijdert of het apparaat reinigt.
  - Gebruik elektrische apparaten nooit als het netsnoer of de stekker beschadigd zijn of als het apparaat kapot is geweest of op enigerlei wijze is beschadigd. Bied het apparaat in dergelijke gevallen aan bij uw dichtstbijzijnde reparateur voor onderzoek, reparatie of afstelling.
  - Vervang nooit zelf het netsnoer van het apparaat. Hiervoor is speciaal gereedschap nodig. Laat het apparaat alleen repareren of het snoer vervangen door een reparateur die door de fabrikant is goedgekeurd om de veiligheid van het apparaat te garanderen.
  - Dompel het snoer, de stekker of het apparaat nooit onder in water of een andere vloeistof, aangezien dit brand, elektrische schokken of letsels kan veroorzaken.
  - Controleer voor gebruik of het oppervlak waarop het apparaat staat droog is.
  - Gebruik het apparaat nooit zonder het bovendeksel (5), de filterhouder (6) en het koffiefilter (7) te plaatsen.

## INSTALLATIE

- Plaats het apparaat op een stabiel, vlak oppervlak dat niet heet is en zich niet nabij een warmtebron bevindt. Het oppervlak moet droog zijn. Houd het apparaat en het netsnoer buiten bereik van kinderen.
- Wanneer het filter-koffiezetapparaat in gebruik is, mag de ombouw (1) nooit op een metalen dienblad of een ander metalen oppervlak staan.
- Controleer of de spanning die wordt vermeld op het typeplaatje van het apparaat correspondeert met de netspanning. Sluit het apparaat alleen aan op een professioneel geaard stopcontact met een uitgangsstroom van ten minste 6 A. (Gebruik een aardlekschakelaar en neem voor advies contact op met een gediplomeerd elektricien). Terwijl het apparaat in gebruik is, moet het stopcontact voor noodgevallen gemakkelijk toegankelijk zijn. De fabrikant is niet verantwoordelijk voor ongevallen die worden veroorzaakt door een ontoereikende of gebrekkige aarding van het apparaat.
- Als het stopcontact niet geschikt is voor de stekker aan het apparaat, moet u het stopcontact laten vervangen door een gecertificeerd elektricien.

## BEWAAR DEZE GEBRUIKSAANWIJZING OP EEN VEILIGE PLEK

- 1 Behuizing
- 2 Watertank
- 3 Handvat van watertank
- 4 Deksel van watertank
- 5 Bovendeksel
- 6 Filterhouder
- 7 Koffiefilter
- 8 Thermoskan
- 9 Doseerdeksel
- 10 Kandeksel
- 11 Koffiesproeier
- 12 Grote stopper
- 13 Kleine stopper
- 14 Veiligheidsschakelaar
- 15 AAN/UIT-knop en kalkindicator
- 16 BODUM maatlepel

## BELANGRIJKE INFORMATIE

### NETSNOER

- Het bij het apparaat geleverde netsnoer is kort om risico's op knopen en struikelen te verminderen.
- Een verlengsnoer kan worden gebruikt, als daar voldoende zorgvuldig mee om wordt gegaan.
- Als een verlengsnoer wordt gebruikt, moet het nominale vermogen van dat snoer minimaal minimaal gelijk zijn aan dat van het apparaat. Als het apparaat is geaard, moet het verlengsnoer een drie-aderig, geaard snoer zijn. Leg de langere kabel zodanig neer dat deze niet over de rand van een tafel of aanrecht hangt, zodat kinderen er niet aan kunnen trekken en niemand erover struikelt.

### HET AUTOMATISCHE KOFFIEZETAPPARAAT HANDMATIG UITSCHAKELLEN

U kunt op elk gewenst moment het koffiezetapparaat uitschakelen met de AAN/UIT-knop (15).

### AUTOMATISCHE UITSCHAKELING

Het filter-koffiezetapparaat is beveiligd tegen schade door droogkoken. Een beveiliging schakelt het apparaat automatisch uit als er niet meer voldoende water is of als het verwarmingselement te heet wordt.

Het filter-koffiezetapparaat is beveiligd tegen schade door kalkaanslag. Een beveiliging schakelt het apparaat automatisch uit als er teveel kalkaanslag is ontstaan. Als de AAN/UIT-knop (15) rood oplicht, moet u het koffiezetapparaat ontkalken, aangezien het apparaat niet meer werkt tot dit gebeurd is.

### VOOR HET EERSTE GEBRUIK

Maak het apparaat eerst schoon voordat u het in gebruik neemt. Vul hiertoe het waterreservoir (2) tot de MAX-lijn met water en laat het apparaat doorlopen met de filterhouder (6), het koffiefilter (7) en de thermoskan (8), maar zonder gemalen koffie. Na afloop gooit u het water eenvoudig weg.

### KOFFIE ZETTEN

- Open het deksel (4) van het waterreservoir en vul het reservoir met de gewenste hoeveelheid koud water. Vul nooit verder dan de MAX-lijn. Sluit het deksel (4).
- U kunt het waterreservoir (2) ook helemaal loshalen om het onder de kraan te vullen of als u het apparaat schoonmaakt. Verwijder hiertoe het deksel (4) van het waterreservoir en til het reservoir (2) voorzichtig aan het handvat (3) recht omhoog uit het koffiezetapparaat.

**Let op:** Als het waterreservoir leeg is of niet is geplaatst, zal het apparaat om veiligheidsredenen niet inschakelen, zodat het verwarmingselement niet heet wordt terwijl het droog staat.

**Waarschuwing:** vul het waterreservoir (2) alleen met koud, helder water. Voeg geen melk of andere vloeistoffen toe aan het reservoir.



- Verwijder de thermoskan (8) uit het koffiezetapparaat. Haal nu voorzichtig de filterhouder (6) met daarin het koffiefilter (7) uit de behuizing (1) van het filter-koffiezetapparaat. Als u een kan koffie wilt zetten vult u het koffiefilter (7) met ongeveer 8 BODUM® maatlepels (16) filtermalingskoffie. Pas de hoeveelheid gemalen koffie aan als u minder koffie wilt zetten. (Zie de tabel met informatie over de "Aanbevolen dosering".) Laat nu voorzichtig de filterhouder (6) met daarin het koffiefilter (7) terug in de behuizing (1) van het filter-koffiezetapparaat glijden.

**WAARSCHUWING:** gebruik alleen het koffiefilter (7) dat bij het apparaat is meegeleverd. Gebruik nooit papieren filters.

- Plaats de thermoskan (8) in het koffiezetapparaat, met het doseerdeksel (9) en het kandeksel (10) op de kan. Controleer of de thermoskan (8) precies onder de filterhouder (6) staat.

**Let op:** de veiligheidsschakelaar (14) controleert of de thermoskan (8) op de juiste plaats staat. Als de thermoskan niet of niet juist in het koffiezetapparaat is geplaatst, kan het apparaat niet worden ingeschakeld.

- Druk op de AAN/UIT-knop (15). De AAN/UIT-knop licht tijdens het koffiezetten groen op.
- Na een paar seconden stroomt water door de koffiesproeier (11) in de filterhouder (6) en vervolgens in de thermoskan (8). Dit proces duurt ongeveer 6 minuten voor een volle kan koffie (1,2 liter).
- Het koffiezetapparaat schakelt automatisch uit zodra het waterreservoir (2) leeg is.

**Let op:** Het koffiezetapparaat wordt ook automatisch uitgeschakeld zodra de thermoskan (8) uit het apparaat wordt verwijderd tijdens het koffiezetten.

- Als u verder wilt gaan met koffiezetten, drukt u gewoon weer op de AAN/UIT-knop (15) als de thermoskan (8) weer is teruggezet op de juiste plaats in het koffiezetapparaat.

## HET KOFFIEZETAPPARAAT REINIGEN

- Gebruik nooit chemische reinigingsmiddelen, schuursponsen of schuurmiddelen om het filter-koffiezetapparaat schoon te maken.
- Maak de ombouw alleen schoon met een vochtige doek.
- Dompel de behuizing nooit onder in water. Onthoud dat dit een elektrisch apparaat is.

**Let op:** haal altijd de stekker uit het stopcontact voordat u het apparaat schoonmaakt.

- Reinig het filter-koffiezetapparaat indien mogelijk na elk gebruik. De volgende onderdelen kunnen in de vaatwasmachine (alleen in het bovenste gedeelte van de vaatwasmachine):

- 2 Waterreservoir
- 3 Handvat van waterreservoir
- 4 Deksel van waterreservoir
- 6 Filterhouder
- 7 Koffiefilter
- 9 Doseerdeksel
- 10 Kandeksel
- 11 Koffiesproeier
- 12 Grote stopper
- 13 Kleine stopper
- 16 Maatlepel

- Snel schoonmaken: schroef het doseerdeksel (9) los van de thermoskan (8). Spoel de thermoskan (8) na gebruik grondig schoon met warm water.

**Waarschuwing:** de thermoskan (8) is niet geschikt voor de vaatwasmachine. Dompel de thermoskan niet onder in water:

- Het kandeksel (10) kan voor gemakkelijk schoonmaken worden verwijderd door het van het doseerdeksel (9) te trekken. Zowel het doseerdeksel als het kandeksel zijn geschikt voor de vaatwasmachine.

## ONDERHOUD

### HET KOFFIEZETAPPARAAT ONTKALKEN

- Het filter-koffiezetapparaat kan alleen correct werken als regelmatig de kalkaanslag wordt verwijderd. Hoe vaak dit moet gebeuren, is afhankelijk van de hardheid van het water. Dit verschilt van land tot land. Wij adviseren u de machine telkens na 100 keer gebruiken te ontkalken.

**Belangrijk:** als u de kalkaanslag van het koffiezetapparaat niet verwijdert, kan het apparaat beschadigd raken!

- Als te veel kalkaanslag wordt opgebouwd, wordt de AAN/UIT-knop (15) automatisch uitgeschakeld en rood verlicht. Verwijder dan onmiddellijk de kalkaanslag, anders zal het apparaat niet meer werken.
- Regelmatig ontkalken kan de levensduur van het product verlengen en storingen voorkomen. Bovendien levert het regelmatig verwijderen van de kalkaanslag minder stoomvorming, snellere werkingstijden en energiebesparing op.
- Kalkaanslag dient te worden verwijderd met een in de winkel verkrijgbare ontkalker voor huishoudelijke apparatuur of met een oplossing van water en azijn (20% azijn en 80% water). Controleer bij in de winkel verkrijgbare ontkalkers of deze geschikt zijn voor zowel koperen verwarmingselementen als siliconen. (Volg de specificaties en doseringsinstructies van de fabrikant nauwgezet.)
- Vul het waterreservoir (2) met de ontkalker- of de azijnoplossing (niet boven de MAX-lijn) en plaats de koffiesproeier (11), de filterhouder (6), het koffiefilter (7) (zonder koffie) en de thermoskan (8) met het doseerdeksel (9/10) op de juiste manier in het apparaat.

- Spoel naderhand de afzonderlijke onderdelen grondig af met koud water en laat het apparaat ten minste twee keer doorlopen met koud, helder water. Voordat u het apparaat laat doorlopen, moet u controleren of alle onderdelen op de juiste manier zijn teruggeplaatst in het koffiezetapparaat.
- Andere onderhouds- of reparatiewerkzaamheden mogen alleen worden uitgevoerd door een bevoegde reparateur.

## **DE KOFFIESPROEIER REINIGEN**

De koffiesproeier (11) kan afzonderlijk worden gereinigd en ontkalkt. Verwijder hiertoe het bovendeksel (5) van de behuizing (1) van het koffiezetapparaat. Til de koffiesproeier (11) vervolgens voorzichtig recht omhoog uit het apparaat. Verwijder nu de grote stopper (12) en de kleine stopper (13) door ze voorzichtig uit de koffiesproeier te trekken. Maak alle onderdelen grondig schoon met een kalkverwijderaar. Spoel alle onderdelen daarna grondig af met helder water en zet de koffiesproeier voorzichtig weer in elkaar. Controleer of de grote en de kleine stopper stevig op de goede plaats zitten. Plaats de koffiesproeier terug in het koffiezetapparaat en sluit het bovendeksel.

**WAARSCHUWING:** gebruik bij het reinigen van de koffiesproeier geen harde borstels of puntige of scherpe objecten, aangezien deze het siliconen oppervlak kunnen krassen of beschadigen.

**BELANGRIJK:** de garantie is ongeldig als het apparaat niet is ontkalkt of het ontkalken niet is uitgevoerd volgens de instructies.

## **OPSLAG**

Haal altijd de stekker uit het stopcontact als het koffiezetapparaat niet wordt gebruikt.

## TECHNISCHE GEGEVENS

Netspanning Europa	220 - 240 V~ 50/60 Hz
Netspanning VS	120 V~ 60 Hz
Nominaal vermogen Europa	1450 W
Nominaal vermogen VS	1450 W
Lengte netsnoer	80 cm
Capaciteit	1,2 liter / 40 fl. oz
Testkeurmerken	GS, CE, ETL, CETL

## SERVICE- EN GARANTIEVOORWAARDEN

Alle BODUM® producten zijn vervaardigd van duurzame kwaliteitsmaterialen. Als het echter nodig is om onderdelen te vervangen, neem dan contact op met de BODUM® dealer, een BODUM® winkel of de algemene BODUM® vertegenwoordiger in uw land, of kijk op [www.bodum.com](http://www.bodum.com).

**Garantie:** BODUM® geeft vanaf de aankoopdatum twee jaar garantie op het „BISTRO“ filter-koffiezetapparaat. Deze garantie omvat materiaalfouten en storingen die kunnen worden herleid tot fabricage- en ontwerpfouten. Reparaties worden gratis uitgevoerd als aan alle garantievoorwaarden is voldaan. Restitutie is niet mogelijk.

Garantievoorwaarden: het garantiecertificaat moet volledig worden ingevuld door de verkoper ten tijde van de aankoop. De garantie van BODUM® dekt geen schade die is veroorzaakt door onjuist gebruik, normale slijtage, onvoldoende of onjuist onderhoud, oneigenlijk gebruik, of gebruik door onbevoegde personen.

## MILIEUVRIENDELIJKE AFVOER

Elektrische apparatuur mag niet bij het huisvuil worden weggeworpen. Deze apparaten moeten apart worden afgevoerd. Particulieren kunnen de apparaten gratis aanbieden bij gemeentelijke milieustations. De eigenaar is verplicht de gebruikte elektrische apparaten naar verzamelstations te brengen of aan te bieden voor correcte verwijdering. Dit is een kleine moeite en zorgt ervoor dat waardevolle grondstoffen worden hergebruikt en dat schadelijke stoffen op de juiste manier worden verwerkt.

## Välkommen till BODUM®

*Gratulerar! Du är nu den stolta ägaren till en BISTRO automatisk strilkaffebruggare från BODUM®. Läs dessa anvisningar noggrant innan du börjar använda din automatiska kaffebruggare.*

## VIKTIGA SÄKERHETSANVISNINGAR

- Läs all information innan du börjar använda apparaten för första gången. Om du inte följer anvisningarna och säkerhetsinformationen kan farliga situationer uppstå.
- Kontrollera att produkten inte är skadad när den har packats upp. Om du är osäker på om den är skadad eller ej, bör du inte använda den utan i stället kontakta din återförsäljare.
- Håll förpackningsmaterialet (kartong, plastpåse etc.) utom räckhåll för barn (risk för kvävning eller skada).
- Apparaten får endast användas för sitt avsedda ändamål.
- Denna automatiska strilkaffebruggare är endast avsedd för hushållsbruk inomhus. Använd den ej utomhus.
- Ställ inte apparaten på eller nära en brinnande gaslåga eller inkopplad elplatta, eller i en föruppvärmd ugn.
- Tillverkaren åtar sig inget ansvar för material- eller personskada till följd av felaktigt eller oavsett bruk. Använd apparaten endast för sitt avsedda ändamål.
- Låt inte barn leka med apparaten.
- Håll noga tillsyn på apparaten när den används i närheten av barn eller personer som inte är bekanta med apparaten.
- Apparaten får inte användas av barn eller av oerfarna eller på något sätt fysiskt eller mentalt handikappade personer, om dessa inte har erhållit tillräckliga anvisningar om dess bruk av en person som är ansvarig för deras säkerhet och som övervakar dem medan de använder apparaten. Barn måste övervakas för att se till att de inte använder apparaten som en leksak.
- Låt inte apparaten komma i kontakt med fuktiga eller våta händer. Vidrör inte nätsladden eller kontakten med våta händer.
- Vidrör inga heta delar. Grip termoskannan och filterhållaren endast vid handtaget.
- Använd inga tillbehör eller tillsatser som inte rekommenderas av apparatens tillverkare. Detta kan orsaka brand, elektriska stötar eller kroppsskada.
- För USA - Kanada: Denna apparat har en polariserad kontakt (ett blad är bredare än det andra). För att minska risken för en elektrisk stöt, passar kontakten endast i en riktning i ett polariserat uttag. Vänd på kontakten om den inte passar helt i uttaget. Om den fortfarande inte passar, kontakta en kvalificerad elektriker. Ändra inte kontakten på något sätt.
- Apparaten får inte startas utan vatten.
- Fyll inte vattenbehållaren (2) över markeringen MAX.

- Apparaten får aldrig kopplas in utan strilhuvudet (11) och filterhållaren (6) på plats.
- Undvik kontakt med ångan som uppstår medan kaffet bryggs. Annars finns det risk att du skållar dig.
- Du kan även skålla dig om du avlägsnar locket medan bryggning pågår.
- Kokande vatten kan orsaka brännskada.
- Se till att strömbrytaren (15) alltid är lätt åtkomlig.
- VARNING: För att undvika att apparaten skadas får den inte rengöras med ett alkaliskt rengöringsmedel. Använd en mjuk trasa och ett mildt tvålmedel.
- Sänk aldrig apparaten i vatten. Tänk på att detta är en elektrisk apparat.
- Rengör höljet (1) endast med en fuktig trasa.
- Tryck på strömbrytaren (15) och dra ut kontakten ur nätuttaget för att stänga av apparaten.
- Dra alltid i kontakten och inte i sladden för att koppla lös apparaten från nätuttaget.
- Låt inte nätsladden hänga över kanten av ett bord eller en arbetsbänk och låt den inte komma i kontakt med heta ytor.
- Dra ut kontakten ur nätuttaget när kaffebryggaren inte används och innan du rengör den. Låt apparaten svalna före rengöring och innan du placerar eller avlägsnar delar.
- Starta aldrig en elektrisk apparat om sladden eller kontakten är skadad, efter ett funktionsfel eller om själva apparaten har skadats på något sätt. Lämna i så fall in apparaten hos närmaste auktoriserade serviceombud för kontroll, reparation eller justering.
- Försök aldrig själv byta ut apparatens nätsladd. För detta ändamål krävs särskilda verktyg. Låt reparation av apparaten eller byte av nätsladden endast utföras av ett servicecenter som är godkänt av tillverkaren, detta garanterar apparatens säkra funktion.
- Sänk aldrig nätsladden, kontakten eller apparaten i vatten eller någon annan vätska; detta kan orsaka brand, elchock eller personskada.
- Kontrollera före bruk att underlaget där du ställer apparaten är torrt.
- Håll alltid höljets lock (5), filterhållaren (6) och kaffefiltret (7) på plats på apparaten under bruk.

## INSTALLATION

- Placera apparaten på ett stabilt, jämnt underlag som varken är hett eller nära en värmekälla. Ytan måste vara torr. Håll apparaten och nätsladden utom räckhåll för barn.
- Medan den automatiska kaffebryggaren är i bruk får höljet (1) aldrig stå på en metallbricka eller något annat underlag av metall.
- Kontrollera att apparatens typskylt anger en nätspänning som överensstämmer med det lokala elnätet. Apparaten får endast kopplas till ett väl jordat uttag med en utgående strömstyrka på minst 6 A. (Använd en jordfelsbrytare [RCD]. Rådgör vid behov med en elektriker.) Under bruk av apparaten är det viktigt att nätuttaget är lätt åtkomligt om en nödsituatuion skulle uppstå. Tillverkaren åtar sig inget ansvar för olyckor till följd av att apparaten är otillräckligt eller felaktigt jordad.
- Om apparatens nätkontakt inte passar i det lokala nätuttaget, måste den bytas ut av en kvalificerad elektriker.

## FÖRVARA DENNA BRUKSANVISNING PÅ EN SÄKER PLATS

- 1 Hölje
- 2 Vattenbehållare
- 3 Vattenbehållarens handtag
- 4 Vattenbehållarens lock
- 5 Höljets lock
- 6 Filterhållare
- 7 Kaffefilter
- 8 Termoskanna
- 9 Doseringslock
- 10 Lockets kåpa
- 11 Strilhuvud
- 12 Stor propp
- 13 Liten propp
- 14 Skyddsomkopplare
- 15 Strömbrytare och kalksignal
- 16 BODUM måttsked

## VIKTIG INFORMATION

### NÄTSLADD

- Apparaten är försedd med en kort nätsladd för att reducera risken att någon fastnar i sladden eller snubblar över den.
- På villkor att du är tillräckligt försiktig kan en förlängningsladd användas.
- Om en förlängningsladd används måste denna uppfylla minst samma värden som gäller för själva apparaten. Om apparaten är jordad måste förlängningsladden vara en trepolig, jordad kabel. Den längre kabeln ska ledas så att den inte hänger över en bordskant eller hörnet av en arbetsbänk, så att barn inte kan dra i den och så att ingen kan snubbla över den.

### STÄNGA AV DEN AUTOMATISKA STRILKAFFEBRYGGAREN MANUELLT

Med strömbrytaren (15) kan den automatiska strilkafebryggaren stängas av när som helst.

### SKYDDSAVSTÄNGNING

Den automatiska kaffe­bryggaren är skyddad mot skada till följd av en otillräcklig mängd vatten. En skyddskrets stänger av apparaten automatiskt om den löper torr eller om värmeelementet blir för hett.

Den automatiska kaffe­bryggaren är skyddad mot skada till följd av kalkavsättning. En skyddskrets stänger av apparaten om den är för svårt nedkalkad. Om strömbrytaren (15) lyser med rött ljus måste kaffe­bryggaren avkalkas, den kommer inte att fungera förrän detta har skett.

### INNAN DU BÖRJAR ANVÄNDA STRILKAFFEBRYGGAREN

Rengör apparaten innan den används för första gången. Detta sker genom att fylla vatten­behållaren (2) med vatten till markeringen MAX och låta apparaten löpa med filter­hållaren (6), kaffefiltret (7) och termoskannen (8) på plats, men utan malt kaffe i filtret. Håll sedan bort vattnet.

### ANVÄNDNING AV DEN AUTOMATISKA STRILKAFFEBRYGGAREN

- Öppna vatten­behållarens lock (4) och fyll den med önskad mängd kallt vatten. Fyll den dock inte förbi markeringen MAX. Stäng locket (4).
- Du kan även lyfta ut vatten­behållaren (2) för att fylla den med vatten eller när du rengör apparaten. Avlägsna i så fall locket (4) från vatten­behållaren och lyft behållaren (2) försiktigt vid handtaget (3) rakt uppåt och ut ur kaffe­bryggaren.

**Obs!** Om vatten­behållaren (2) är tom eller inte finns på plats, kan apparaten av säkerhetsskäl inte starta för att undvika att värmeelementet löper torrt.

**Varning:** Fyll endast på vatten­behållaren (2) med rent, kallt vatten. Tillfoga aldrig mjölk eller någon annan vätska i vatten­behållaren.



- Tag ut termoskannan (8) ur kaffebryggaren. Tag sedan försiktigt ut filterhållaren (6) med isatt kaffefilter (7) ur kaffebryggarens hölje (1). För att brygga en kanna kaffe fyller du kaffefiltret (7) med ca. 8 BODUM® måttskedar (16) med bryggmalet kaffe. För en mindre mängd kaffe använder du en förhållandevis mindre mängd malt kaffe. (Se tabellen med information om "Rekommenderad dosering".) Skjut sedan försiktigt tillbaka filterhållaren (6) med isatt kaffefilter (7) i kaffebryggarens hölje.

**WARNING!** Använd endast kaffefiltret (7) som medföljer apparaten. Använd aldrig pappersfilter.

- För in termoskannan (8) i den automatiska strilkaffebryggaren med doseringslocket (9) och lockets kåpa (10) på plats. Se till att termoskannan (8) står rakt under filterhållaren (6).

**Obs!** Skyddsomkopplaren (14) registrerar om termoskannan (8) finns på plats i apparaten. Om termoskannan inte står i rätt läge i kaffebryggaren kan bryggaren inte startas.

- Tryck på strömbrytaren (15). Strömbrytaren lyser med grönt ljus medan brygning pågår.
- Efter några sekunder börjar vattnet löpa genom strilhuvudet (11) till filterhållaren (6) och därifrån ned i termoskannan (8). Processen dröjer ca. 6 minuter för en kanna kaffe (1,2 L/40 oz).
- Kaffebryggaren stängs av automatiskt så snart vattenbehållaren (2) har tömts på vatten.

**Obs!** Kaffebryggaren kommer även att stängas av automatiskt om termoskannan (8) avlägsnas ur apparaten medan brygning pågår.

- För att starta processen på nytt trycker du helt enkelt än en gång på strömbrytaren (15), sedan du först har satt tillbaka termoskannan (8) i rätt läge i kaffebryggaren.

## RENGÖRING AV DEN AUTOMATISKA STRILKAFFEBRYGGAREN

- Använd vid rengöring av den automatiska strilkaffebryggaren aldrig kemikalier, stålull eller aggressiva rengöringsmedel.
- Rengör höljet (1) endast med en fuktig trasa.
- Sänk aldrig höljet i vatten. Tänk på att detta är en elektrisk apparat.

**Obs!** Koppla alltid lös apparaten från elnätet innan du börjar rengöra den.

- Rengör kaffebryggaren om möjligt efter varje användning. Följande delar kan diskas i maskin (endast i diskmaskinens översta fack):

- 2 Vattenbehållare
- 3 Vattenbehållarens handtag
- 4 Vattenbehållarens lock
- 6 Filterhållare
- 7 Kaffefilter
- 9 Doseringslock
- 10 Lockets kåpa
- 11 Strilhuvud
- 12 Stor propp
- 13 Liten propp
- 16 Måttsked

- För enkel rengöring skruvar du lös doseringslocket (9) från termoskannan (8). Skölj termoskannan (8) grundligt med varmt vatten efter bruk.

**Varning:** Termoskannan (8) är inte lämpad att diskas i maskin. Sänk inte termoskannan i vatten:

- Lockets kåpa (10) kan avlägsnas genom att dra lös den från doseringslocket (9) för enklare rengöring. Både doseringslocket och kåpan kan diskas i maskin.

## UNDERHÅLL OCH SKÖTSEL

### AVKALKNING AV DEN AUTOMATISKA STRILKAFFEBRYGGAREN

- För att garantera den automatiska strilkafeebryggarens goda funktion, måste den hållas fri från kalkrester. Hur ofta detta bör ske beror på vattnets hårdhet och varierar därför lokalt. Vi rekommenderar att maskinen avkalkas efter 100 användningar.

**Viktigt:** Om kaffebruggaren inte avkalkas kan detta orsaka skada!

- Om apparaten stängs av automatiskt på grund av för svår nedkalkning, kommer strömbrytaren (15) att lysa med rött ljus. I så fall måste du genast avkalka kaffebruggaren, annars kommer den inte att fungera.
- Regelbunden avkalkning kan förlänga produktens livslängd och garanterar dess felfria funktion. Dessutom leder regelbunden avkalkning till mindre ångbildning, snabbare brygningstider och besparad energi.
- Nedkalkningen kan avlägsnas med en handelsprodukt för avkalkning av kaffebruggare, eller med en lösning av ättika i vatten (20% ättika och 80% vatten). Om du använder ett kommersiellt avkalkningsmedel måste du kontrollera att detta är lämpat för bruk med värmeelement av koppar och silikonmaterial. (Läs tillverkarens specifikationer och doseringsanvisningar noggrant.)
- Fyll vattenbehållaren (2) med avkalkningslösning eller vatten med ättika (fyll inte över markeringen MAX) och placera strilhuvudet (11), filterhållaren (6), kaffefiltret (7) (utan malt kaffe) och termoskannan (8) med doseringslocket (9/10) på sina respektive platser i apparaten.

- Skölj sedan de olika delarna separat med kallt vatten och skölj apparaten genom att köra den minst två gånger med rent, kallt vatten. Se först till att alla delar har satts tillbaka på rätt sätt i kaffebyggaren.
- Allt övrigt underhåll ska utföras av ett auktoriserat serviceombud.

### RENGÖRING AV STRILHUVUDET

Strilhuvudet (11) kan rengöras och avkalkas separat. För att göra detta avlägsnar du höljets lock (5) från den automatiska strilkaffebyggaren hölje (1). Lyft sedan strilhuvudet (11) försiktigt rakt uppåt och ut ur kaffebyggaren. Avlägsna sedan den stora proppen (12) och den lilla proppen (13) genom att dra ut dem långsamt ur strilhuvudet. Rengör alla delar noggrant med avskalningslösning. Skölj sedan alla delar grundligt med rent vatten innan du försiktigt sätter ihop strilhuvudet igen. Se till att den stora och den lilla proppen sitter ordentligt och stadigt på plats. Sätt sedan tillbaka strilhuvudet i kaffebyggaren och sätt höljets lock ordentligt på plats.

**VARNING!** Använd inga hårda borstar eller vassa eller spetsiga föremål till att rengöra strilhuvudet, dessa kan repa eller på annat sätt skada silikonytan.

**VIKTIGT:** Garantin förfaller om apparaten inte avkalkas, eller om avkalkning inte sker enligt anvisningarna.

### FÖRVARING

Koppla alltid lös den automatiska strilkaffebyggaren från elnätet när den inte används.

## TEKNISKA DATA

Nätspänning EUROPA	220 - 240 V~ 50/60 Hz
Nätspänning USA	120 V~ 60 Hz
Nominell effekt EUROPA	1450 W
Nominell effekt USA	1450 W
Kabellängd	80 cm
Volymkapacitet	1,2 liter/40 fl. oz
Testmarkeringar	GS, CE, ETL, CETL

## SERVICE OCH GARANTIVILLKOR

Alla BODUM® produkter är tillverkade av hållbara material av hög kvalitet. Om du ändå skulle behöva byta ut någon del, var god kontakta din BODUM® återförsäljare, en BODUM® butik, den allmänna BODUM® representanten i ditt land eller besök [www.bodum.com](http://www.bodum.com).

**Garanti:** BODUM® ger en garanti för 2 år på en automatiska strilkkaffebyggaren "BISTRO", giltig från inköpsdatum. Garantin täcker materialfel och funktionsfel till följd av fabriks- eller konstruktionsfel. Om alla garantivillkor har uppfyllts, sker reparation kostnadsfritt. Återbetalning sker ej.

**Garantivillkor:** Garanti-intyget måste vara fullständigt ifyllt av återförsäljaren vid tiden för inköpet. BODUM® ger ingen garanti över skada till följd av oavsett bruk, felaktigt bruk, normalt slitage, bristande eller felaktig skötsel och underhåll, felaktig användning eller hantering av obehöriga personer.

## MILJÖVÄNLIG KASTNING

Elektriska apparater får aldrig kastas tillsammans med allmänt hushållsavfall, utan måste lämnas in separat. Privatpersoner kan lämna in dem gratis vid lokala insamlingsstationer. Ägaren till förbrukade apparater måste obligatoriskt lämna in dem hos sin lokala insamlingsstation eller på annat sätt erbjuda dem för lämpad behandling. På så sätt kan du med ett litet personligt besvär lämna ett bidrag till att värdefulla råvaror kan återanvändas och att skadliga substanser behandlas på rätt sätt.

## Bem-vindo à BODUM®

***Parabéns! Você é o orgulhoso proprietário de uma Cafeteira com Filtro da BODUM®. Leia estas instruções atentamente antes de utilizar a Cafeteira com Filtro.***

## INSTRUÇÕES DE SEGURANÇA IMPORTANTES

- Leia toda a informação antes de usar a cafeteira pela primeira vez. O aparelho pode provocar lesões ou situações perigosas caso não leia e siga estas instruções e informação de segurança.
- Depois de retirar da embalagem, verifique se o aparelho está danificado. Se não tiver a certeza se o aparelho está danificado, não o use e contacte o revendedor.
- Mantenha a embalagem e o que a acompanha (caixa, sacos plásticos, etc.) fora do alcance das crianças (risco de asfixia ou lesões).
- Use o aparelho apenas para o fim a que se destina.
- Esta cafeteira com filtro destina-se apenas a uso doméstico. Não a utilize ao ar livre.
- Não coloque o aparelho sobre ou junto a bicos de gás ou discos eléctricos que estejam acesos ou ligados ou num forno pré-aquecido.
- O fabricante não será responsável por danos ou lesões que ocorrem da má utilização ou uso não vigiado do aparelho. Use o aparelho exclusivamente para o fim a que se destina.
- Não deixe que as crianças brinquem com ele.
- Quando usar o aparelho junto de crianças ou pessoas que não saibam como funcionar com ele, vigie-as permanentemente.
- Este aparelho não deve ser usado por pessoas (incluindo crianças) que tenham incapacidades físicas, sensoriais ou mentais ou que não possuem a experiência ou o conhecimento de funcionar com o aparelho, excepto de forem devidamente instruídas por um aduto responsável pela sua segurança e que as vigie durante a utilização. As crianças devem estar vigiadas para se assegurar que não brincam com o aparelho.
- Não toque no aparelho com as mãos húmidas ou molhadas. Não toque no fio eléctrico com as mãos húmidas.
- Não toque nas superfícies quentes. Pegue no jarro termo e no suporte do filtro apenas pela pega.
- Não use nenhuns acessórios que não tenham sido recomendados pelo fabricante do aparelho. Caso contrário, pode provocar incêndio, choque eléctrico ou lesões.
- Para EUA - Canadá: Este aparelho possui uma ficha polarizada (uma lâmina é mais larga do que a outra). Para se reduzir o risco de choque eléctrico, esta ficha caberá numa tomada polarizada apenas de uma forma. Se a ficha não couber inteiramente na tomada, inverta a ficha. Se mesmo assim não couber,

- contacte um electricista qualificado. Não modifique a ficha seja de que forma for.
- O aparelho não deve estar ligado à corrente sem água.
  - Não encha o reservatório com água (2) acima da linha MAX.
  - O aparelho nunca deve estar ligado à corrente sem o chuveiro do café (11) e o suporte do filtro (6).
  - Evite o contacto com vapor gerado durante a fervura. De outro modo, pode escaldar-se.
  - Pode escaldar-se se tirar a tampa durante os ciclos de fervura.
  - A água a ferver pode causar queimaduras.
  - Veja se o botão ON/OFF (Ligar/Desligar) (15) está sempre acessível.
  - **ATENÇÃO:** Para evitar danos no aparelho não use agentes de limpeza alcalinos, mas sim um pano macio e um detergente suave.
  - Nunca meta o aparelho em água. Lembre-se que é um aparelho eléctrico.
  - Limpe a base apenas (1) com um pano húmido.
  - Prima o botão ON/OFF (Ligar/Desligar) (15) e tire a ficha da tomada eléctrica para desligar completamente o aparelho.
  - Faça sempre pressão na ficha e não no cabo quando tirar da tomada eléctrica para desligar.
  - Não deixe o cabo eléctrico pendurado de mesas ou da banca da cozinha nem o deixe em contacto com superfícies quentes.
  - Desligue a ficha da tomada eléctrica se não for usar a cafeteira ou antes de limpá-la. Deixe o aparelho arrefecer antes de o limpar ou de retirar algumas das peças.
  - Nunca ponha um aparelho eléctrico a funcionar se o cabo ou a ficha estiverem danificados, se deixar de funcionar em boas condições ou se o próprio aparelho estiver danificado de alguma forma. Nessas circunstâncias, leve o aparelho ao revendedor mais próximo de si para inspecção, reparação ou regulação.
  - Nunca tente substituir você mesmo o cabo do aparelho. São necessárias ferramentas especiais para o fazer. Só mande reparar o aparelho ou trocar o cabo num centro aprovado pelo fabricante, tendo a garantia de que o aparelho fica seguro.
  - Não meta o fio eléctrico ou a ficha em água ou outros líquidos porque isso poderia causar incêndio, choque eléctrico ou lesão grave.
  - Seja se a superfície onde vai colocar o aparelho está bem seca.
  - Ponha sempre a tampa (5), o suporte do filtro (6) e o filtro do café (7) no aparelho antes de o pôr a funcionar.

**MONTAGEM**

- Coloque o aparelho numa superfície estável e plana que não esteja quente nem junto a uma fonte de calor. A superfície tem de estar seca. Mantenha o aparelho e o fio eléctrico fora do alcance das crianças.
- Quando usar a cafeteira com filtro nunca coloque a base (1) num tabuleiro metálico ou outra superfície metálica.
- Verifique que a chapa de identificação indica a voltagem da corrente eléctrica na sua região. Ligue só o aparelho a uma tomada profissional com terra e com uma saída de pelo menos 6 A. (Use um interruptor residual de corrente [RCD]. Se necessário, chame um electricista). Enquanto usar o aparelho é necessário ter sempre a tomada eléctrica acessível em caso de emergência, O fabricante não se responsabiliza por quaisquer acidentes que ocorram devido a ligação terra deficiente ou defeituosa do aparelho.
- Se a tomada não for a correcta para a ficha do seu aparelho, deverá substituí-la por um electricista qualificado.

## GUARDE ESTAS INSTRUÇÕES DE OPERAÇÃO EM LOCAL SEGURO

- 1 Base
- 2 Reservatório da água
- 3 Pega do reservatório da água
- 4 Tampa do reservatório da água
- 5 Tampa da base
- 6 Suporte do filtro
- 7 Filtro do café
- 8 Jarro térmico
- 9 Tampa de dosagem
- 10 Coroa da tampa
- 11 Chuveiro do café
- 12 Rolha grande
- 13 Rolha pequena
- 14 Interruptor de segurança
- 15 Botão ON/OFF e indicação de escala
- 16 Colher de medida BODUM

## INFORMAÇÃO IMPORTANTE

### CABO ELÉCTRICO

- O aparelho é fornecido com um cabo eléctrico curto, a fim de reduzir o risco de tropeçar e preso num cabo mais comprido.
- Embora com extrema cautela, é possível usar uma extensão eléctrica.
- Se for usada uma extensão eléctrica os valores nominais indicados na extensão devem cumprir os mínimos do aparelho. Se o aparelho tiver ligação terra, a extensão eléctrica deve ter então um circuito triplo com terra. Um cabo eléctrico nunca deve ficar pendurado nas bordas de mesas ou cantos de bancas de trabalho, para que as crianças não consigam puxá-lo ou que as pessoas tropecem nele.

### DESLIGAR MANUALMENTE A CAFETEIRA COM FILTRO

Com o botão ON/OFF (15) pode-se desligar em qualquer altura a cafeteira com filtro.

### ENCERRAMENTO DE SEGURANÇA

A cafeteira com filtro está protegida contra danos causados por insuficiência de água. Um encerramento de segurança desliga o aparelho se estiver vazio sem água ou se a resistência aquecer demasiado.

A cafeteira com filtro está protegida contra danos causados por depósitos de calcário. Um encerramento de segurança desliga o aparelho automaticamente se tiver depósitos de calcário. Se o botão ON/OFF (Ligar/Desligar) (15) acender a luz vermelha, terá de retirar os depósitos de calcário da cafeteira com filtro porque, caso contrário, a máquina não funcionará.

### ANTES DE USAR A CAFETEIRA COM FILTRO

Antes de usar pela primeira vez, limpe bem o aparelho. Para isso, encher o reservatório de água (2) com a água até à linha MAX e ponha o aparelho a funcionar com o suporte do filtro (6), filtro do café (7) e jarro térmico (8) colocados mas sem café moído. Depois basta deitar fora a água.

### COMO USAR A CAFETEIRA COM FILTRO

- Abra a tampa (4) do reservatório da água e enche com o volume desejado de água fria. Mas nunca encha acima da linha MAX. Feche a tampa (4).
- Também pode retirar o reservatório da água (2) para o encher ou limpar o aparelho. Para retirar a tampa (4) do reservatório da água e levante-o (2) com cuidado na vertical e para fora da cafeteira com filtro, pela pega (3).

**Nota:** Se o reservatório da água (2) estiver vazio ou fora do sítio, o aparelho não ligará por razões de segurança, a fim de evitar o aquecimento excessivo da resistência.

**Aviso:** Deite no reservatório da água (2) apenas água boa e fria. Não adicione leite nem outros líquidos no reservatório da água.



- Retire o jarro térmico (8) da cafeteira com filtro. Retire agora o suporte do filtro (6) com o filtro do café dentro (7) com cuidado da base (1) da cafeteira com filtro. Para fazer um jarro de café encha o filtro do café (7) com cerca de 8 colheres de medida BODUM® (16) de café moído normal. Para uma quantidade menor de café, terá de reduzir proporcionalmente a medida de café moído fino ou normal. (Observe a tabela com informação «Dosagem recomendada».) Retire agora o suporte do filtro (6) com o filtro do café dentro (7) com cuidado da base da cafeteira com filtro.

**ATENÇÃO:** Use apenas os filtros de café (7) fornecidos com o aparelho. Nunca use filtros de papel.

- Guia o jarro térmico (8) para a cafeteira com filtro com a tampa de dosagem (9) e a coroa da tampa (10) no sítio. Assegure-se de que o jarro térmico (8) está colocado exactamente por debaixo do suporte do filtro (6).

**Nota:** O interruptor de segurança (14) detecta o jarro térmico quando este está no sítio correcto. Se o jarro térmico não estiver bem colocado na cafeteira com filtro, a máquina não liga.

- Prima o botão ON/OFF (Ligar/Desligar) (15). O botão ON/OFF (Ligar/Desligar) acende a luz verde durante o processo de fervura do café.
- Ao fim de uns segundos a água começa a fluir pelo chuveiro do café (11) para o suporte do filtro (6) e subsequentemente para dentro do jarro térmico (8). O processo requer aproximadamente 6 minutos para um jarro de café (1,2l/40 oz).
- A cafeteira com filtro desliga automaticamente logo que o reservatório da água (2) estiver esvaziado de água.

**Nota:** A cafeteira com filtro também desligará automaticamente assim que o jarro térmico (8) seja retirado do aparelho durante o processo de fervura.

- Para abreviar o processo de fervura basta premir o botão ON/OFF (Ligar/Desligar) (15) novamente quando o jarro térmico (8) voltar a ser colocado na posição correcta do aparelho.

## LIMPEZA DA CAFETEIRA COM FILTRO

- Sempre que limpar a cafeteira com filtro nunca use químicos, palha de aço ou agentes de limpeza abrasivos.
- Limpe a base apenas (1) com um pano húmido.
- Nunca meta o aparelho em água. Lembre-se que é um aparelho eléctrico.

**Nota:** Desligue sempre a cafeteira com filtro da tomada eléctrica antes de a limpar.

- Sempre que possível, limpe a cafeteira com filtro depois de utilizar. As seguintes partes podem ir à máquina de lavar loiça (só no compartimento superior da máquina):

- 2 Reservatório da água
- 3 Pega do reservatório da água
- 4 Tampa do reservatório da água
- 6 Suporte do filtro
- 7 Filtro do café
- 9 Tampa de dosagem
- 10 Coroa da tampa
- 11 Chuveiro do café
- 12 Rolha grande
- 13 Rolha pequena
- 16 Colher de medida

- Para uma limpeza simples desaparafuse a tampa de dosagem (9) do jarro térmico (8). Enxagúe o jarro térmico (8) com bastante água tépida após utilização.

**Aviso:** O jarro térmico (8) não deve ser lavado na máquina de lavar loiça. Não mergulhe o jarro térmico em água.

- A coroa da tampa (10) pode ser retirada puxando-a da tampa de dosagem (9) para mais fácil limpeza. Tanto a tampa de dosagem como a coroa da tampa podem ser lavadas à máquina.

## MANUTENÇÃO E ASSISTÊNCIA

### LIMPEZA DOS DEPÓSITOS DE CALCÁRIO DA CAFETEIRA COM FILTRO

- Para garantir que a cafeteira com filtro funciona correctamente, não deve ter o mínimo depósito de calcário. O ciclo óptimo depende da dureza da água, que varia de país para país e de região para região. Recomendamos uma limpeza dos depósitos de calcário em cada 100 utilizações.

**Importante:** Se não retirar os depósitos de calcário pode danificar a sua cafeteira com filtro!

- Se houver muito depósito de calcário, desliga automaticamente o botão ON/OFF (Ligar/Desligar) e acende a luz vermelha. Deve proceder então imediatamente à limpeza anti-calcário da sua cafeteira com filtro porque senão nunca mais funcionará.
- A limpeza regular anti-calcária pode aumentar a vida útil do produto e garante uma funcionalidade perfeita. Mais ainda, a limpeza regular anti-calcário provocará menos vapor, tempos de fervura mais rápidos e poupança de energia.
- Os depósitos devem ser retirados com uma solução disponível no mercado para cafeteiras ou com uma solução de água e vinagre (20% de vinagre e 80% de água). Quando usar soluções anti-calcário disponíveis no mercado verifique se são adequados para usar em resistências de cobre ou materiais em silicone. (verifique com cuidado as especificações e instruções de dosagem do fabricante).

- Encha o reservatório de água (2) com a solução anti-calcário ou solução de água e vinagre (não encha acima da linha MAX) e coloque o chuveiro de café (11), o suporte do filtro (6), o filtro do café (7) (sem café moído) e o jarro térmico (8) com a tampa de dosagem (9/10) nas suas posições correctas.
- Enxague de seguida as várias peças separadas com bastante água fria e enxague o aparelho debaixo de água fria pelo menos duas vezes. Antes de o fazer, verifique se todas as partes separadas foram bem montadas na cafeteira com filtro.
- Qualquer outro tipo de assistência deverá ser realizada por um representante de assistência autorizado.

## LIMPEZA DO CHUVEIRO DE CAFÉ

O chuveiro de café (11) pode ser limpo e retirado o depósito de calcário separadamente. Para isso, retire a tampa (5) da base (1) da cafeteira com filtro. Levante depois o chuveiro do café (11) na vertical com cuidado, para cima e para fora da cafeteira com filtro. Retire agora a rolha maior (12) e a rolha mais pequena (13) puxando-as devagar para fora do chuveiro do café. Limpe todas as peças com cuidado e com a solução anti-calcário. Enxagúe todas as partes com bastante água antes de colocar outra vez o chuveiro do café. Verifique se a rolha maior e a rolha mais pequena estão bem metidas e firmemente no sítio. Coloque agora o chuveiro do café de volta na cafeteira com filtro e volte a pô-lo com cuidado a tampa da base.

**ATENÇÃO:** Quando limpar o chuveiro do café não use escovas duras nem objectos afiados ou pontiagudos porque podem arranhar ou danificar a superfície em silicone.

**IMPORTANTE:** A garantia não será válida se a limpeza anti-calcário não for feita ou não for feita de acordo com as instruções de operação.

## COMO GUARDAR

Desligue sempre a cafeteira com filtro da tomada eléctrica quando não estiver a usar.

## ESPECIFICAÇÕES TÉCNICAS

Corrente EURO	220 - 240 V~ 50/60 Hz
Corrente EUA	120V~ 60 Hz
Potência nominal EURO	1450W
Potência nominal EUA	1450W
Comprimento do cabo eléctrico	80 cm
Capacidade volumétrica	1,2 litro / 40 fl. oz
Marcas de ensaio	GS, CE, ETL, CETL

## ASSISTÊNCIA E CONDIÇÕES DE GARANTIA

Todos os produtos BODUM® são fabricados com materiais duráveis e da melhor qualidade. No entanto, se for necessário substituir peças, contacte o revendedor BODUM®, uma loja BODUM®, o agente oficial BODUM® no seu país ou visite [www.bodum.com](http://www.bodum.com).

**Garantia:** A BODUM® dá 2 anos de garantia para a cafeteira com filtro «BISTRO», válida a partir da data da aquisição. A garantia cobre materiais defeituosos ou mau funcionamento do aparelho atribuíveis ao fabricante ou design defeituoso. Se todas as condições da garantia tiverem sido cumpridas, as reparações serão gratuitas. Não se fazem reembolsos.

**Garantia:** O certificado de garantia deve ser preenchido e carimbado pelo comprador na altura da compra. A BODUM® não presta garantia contra danos devido a utilização incorrecta, mau funcionamento, desgaste normal, cuidados e manutenção deficientes ou inadequados, funcionamento incorrecto ou manuseamento por terceiros não autorizados.

## ELIMINAÇÃO PROTEGENDO O MEIO AMBIENTE

É proibido eliminar qualquer aparelho eléctrico juntamente com lixo doméstico; deve ser sempre recolhido separadamente. A eliminação deste tipo de aparelhos é gratuita para as pessoas privadas nos centros de recolha de resíduos. O proprietário de aparelhos eléctricos usados é obrigado a levar os aparelhos eléctricos velhos aos centros de recolha ou mandá-los recolher. Com esta pequena intervenção da sua parte você está a contribuir para a reciclagem das matérias primas e as substâncias danosas são convenientemente tratadas.

## Tervetuloa BODUM®-laitteen käyttäjäksi

*Onneksi olkoon! Olet nyt pour over -tekniikalla varustetun BODUM®-kahvinkeitin yläpuolella omistaja. Lue nämä ohjeet huolellisesti ennen pour over -tekniikalla varustetun kahvinkeitin käyttöä.*

### TÄRKEITÄ TURVALLISUUSOHJEITA

- Lue kaikki ohjeet ennen laitteen ensimmäistä käyttöä. Ohjeiden ja turvallisuutta koskevien tietojen noudattamatta jättäminen voi johtaa vaarallisiin tilanteisiin.
- Tarkasta laite vaurioiden varalta pakkauksesta poistamisen jälkeen. Jos et ole varma, onko laite vaurioitunut, älä käytä sitä, vaan ota yhteys jälleenmyyjään.
- Pidä pakkausmateriaali (pahvi, muovipussit jne.) lasten ulottumattomissa (tukehtumis- tai tapaturmavaara).
- Älä käytä laitetta muuhun kuin sen alkuperäiseen käyttötarkoitukseen.
- Tämä pour over -tekniikalla varustettu kahvinkeitin on tarkoitettu käyttöön vain sisätiloissa. Älä käytä sitä ulkona.
- Älä sijoita laitetta kuuman kaasun tai sähkölieden tai päällä olevan esilämmitetyn uunin läheisyyteen.
- Valmistaja ei ole vastuussa vauriosta tai loukkaantumisesta, joka johtuu virheellisestä tai tarkoituksesta poikkeavasta käytöstä. Käytä laitetta vain sen alkuperäiseen käyttötarkoitukseen.
- Älä anna lasten leikkiä laitteella.
- Kun käytät laitetta lasten tai sen käyttöön tottumattomien aikuisten läheisyydessä, varmista, että laitetta valvotaan koko ajan.
- Tätä laitetta ei ole tarkoitettu sellaisten henkilöiden (myös lasten) käyttöön, joiden ruumiilliset, henkiset tai aisteihin liittyvät kyvyt ovat alentuneet tai joilta puuttuu kokemusta ja tietoja, ellei heidän turvallisuudestaan vastaava henkilö valvo heitä tai anna heille ohjausta laitteen käytössä. Lapsia on valvottava, jotta varmistetaan, etteivät he leiki laitteella.
- Älä koske laitteeseen kosteilla tai märillä käsillä. Älä koske virtajohtoon tai pistokkeeseen märillä käsillä.
- Älä kosketa kuumia pintoja. Pidä termoskannua ja suodatinpidintä vain kahvasta.
- Älä liitä laitteeseen mitään muita kuin valmistajan suosittelemia lisävarusteita. Tämä voi johtaa tulipaloon, sähköiskuun tai loukkaantumiseen.
- Yhdysvallat – Kanada Laitteessa on polarisoitu pistoke (toinen piikki on toista leveämpi). Sähköiskuvaaran rajoittamiseksi pistoke sopii pistorasiaan vain yhdellä tavalla. Jos pistoke ei sovi pistorasiaasi, käännä pistoketta. Jos se ei siltikään sovi, ota yhteys sähköasentajaan. Älä muokkaa pistoketta millään tavalla.
- Laitetta ei saa kytkeä päälle ilman vettä.
- Älä täytä vesisäiliötä (2) enimmäisrajan (MAX) yläpuolelle.

- Laitetta ei saa koskaan kytkeä päälle ilman kahvisuihkua (11) ja suodatinpidintä (6).
- Vältä kosketusta höyryyn, joka kehittyi suodatusprosessin aikana, sillä tämä voi aiheuttaa palovamman.
- Kannen poistaminen keittämisen aikana voi aiheuttaa palovammoja.
- Kiehuva vesi voi aiheuttaa palovammoja.
- Varmista, että virtakytkin (15) on koko ajan helposti käytettävissä.
- VAROITUS: Älä käytä emäksisiä puhdistusaineita, ettei laite vaurioidu. Käytä puhdistuksessa pehmeää liinaa ja mietoa pesuainetta.
- Älä koskaan upota laitetta veteen. Muista, että tämä on sähkölaite.
- Puhdista kotelo (1) vain kostealla liinalla.
- Katkaise laitteen virta painamalla virtakytkintä (15) ja irrottamalla pistoke pistorasiasta.
- Kohdista aina voima pistokkeeseen eikä johtoon, kun irrotat laitteen verkkovirrasta.
- Älä anna virtajohton roikkua pöydän tai työtasojen reunan yli tai joutua kosketuksiin kuumien pintojen kanssa.
- Irrota pistoke pistorasiasta, jos kahvinkeitin ei ole käytössä tai jos aiot puhdistaa sen. Anna laitteen jäähtyä ennen puhdistusta tai ennen kuin laitat siihen osia tai poistat niitä.
- Älä koskaan käytä sähkölaitetta, jos virtajohto tai pistoke on vaurioitunut, jos laitteessa on ilmennyt toimintahäiriöitä tai jos itse laite on millään tavalla vaurioitunut. Vie laite tällaisissa tapauksissa lähimpään valtuutettuun huoltokeskukseen tutkittavaksi, korjattavaksi tai säädettäväksi.
- Älä koskaan yritä vaihtaa laitteen virtajohtoa. Tähän tarvitaan erikoistyökaluja. Anna vain valmistajan hyväksymän huoltokeskuksen korjata laite tai vaihtaa virtajohto, jotta laitteen käyttö pysyy turvallisena.
- Älä koskaan upota johtoa tai pistoketta veteen tai muuhun nesteeseen, sillä tämä voi aiheuttaa tulipalon, sähköiskun tai tapaturman.
- Varmista, että taso, johon laite sijoitetaan, on puhdas ennen käyttöä.
- Aseta aina kotelon kansi (5), suodatinpidin (6) ja kahvisuodatin (7) laitteeseen käytön ajaksi.

**ASENNUS**

- Aseta laite tukevalle ja tasaiselle pinnalle, joka ei ole kuuma tai lämpölähteen läheisyydessä. Pinnan on oltava kuiva. Pidä laite ja virtajohto lasten ulottumattomissa.
- Kun käytät pour over -tekniikalla varustettua kahvinkeitintä älä koskaan laita koteloa (1) metallitarjottimelle tai muulle metallipinnalle.
- Varmista, että laitteen tyyppikilpi ilmoittaa alueesi verkkovirran jännitteen. Kytke laite vain oikein maadoitettuun pistorasiaan, jonka lähtönormitus on vähintään 6 A. (Käytä vikavirtasuojalaitetta [RCD]. Kysy tarvittaessa neuvoa sähköasentajalta.) Pistorasian on laitteen käytön aikana oltava helposti käytettävissä hätätapausten varalta. Valmistaja ei vastaa mahdollisista onnettomuuksista, jotka johtuvat laitteen puutteellisesta tai viallisesta maadoituksesta.
- Jos pistorasia ei sovi laitteen pistokkeelle, hyväksytyyn sähköasentajan on vaihdettava pistorasia.

## SÄILYTÄ NÄITÄ KÄYTTÖOHJEITA VARMASSA PAIKASSA

- 1 Kotelo
- 2 Vesisäiliö
- 3 Vesisäiliön kahva
- 4 Vesisäiliön kansi
- 5 Kotelon kansi
- 6 Suodatinpidin
- 7 Kahvisuodatin
- 8 Termoskannu
- 9 Annostelukansi
- 10 Kannen peitelevy
- 11 Kahvisuihku
- 12 Suuri korkki
- 13 Pieni korkki
- 14 Turvakytkin
- 15 Virtakytkin ja kalkinilmaisin
- 16 BODUM-mittalusikka

## TÄRKEITÄ TIETOJA

### VIRTAJOHTO

- Laitteessa on lyhyt virtajohto pitkään johtoon sotkeentumisen tai kompastumisen välttämiseksi.
- Jatkojohtoa voidaan käyttää varovaisuutta noudattaen.
- Jos jatkojohtoa käytetään, sen nimellisarvojen on noudatettava laitteen vähimmäisnimellisarvoja. Jos laite maadoitetaan, jatkojohdon on oltava kolmijohtiminen maadoitettu johto. Pitempi johto on asetettava niin, ettei se roiku pöydän reunojen tai työtasojen kulmien yli, että lapset eivät voi vetää sitä ja ettei siihen voi kompastua.

### POUR OVER -TEKNIKALLA VARUSTETUN KAHVINKEITTIMEN VIRRRAN KATKAISEMINEN MANUAALISESTI

Pour over -tekniikalla varustetun kahvinkeitTIMEN virta voidaan katkaista milloin tahansa virtakytkimestä (15).

### VIRRRAN TURVAKATKAISU

Pour over -tekniikalla varustettu kahvinkeitin on suojattu riittämättömän veden aiheuttamalta vauriolta. Virran turvakatkaisu katkaisee laitteen virran automaattisesti, kun siinä ei ole vettä tai jos kuumennuselementti kuumenee liikaa.

Pour over -tekniikalla varustettu kahvinkeitin on suojattu kalkin aiheuttamalta vauriolta. Virran turvakatkaisu katkaisee laitteen virran automaattisesti, jos siinä on kalkkia. Jos virtakytkin (15) palaa punaisena, pour over -tekniikalla varustetun kahvinkeitTIMEN kalkki on poistettava, sillä laite ei toimi, ennen kuin tämä on tehty.

### ENNEN POUR OVER -TEKNIKALLA VARUSTETUN KAHVINKEITTIMEN KÄYTTÖÄ

Puhdista laite ennen ensimmäistä käyttöä. Täytä vesisäiliö (2) vedellä enimmäisrajaan (MAX) asti ja anna laitteen toimia niin, että suodatinpidin (6), kahvisuodatin (7) ja termoskannu (8) ovat paikallaan, mutta ilman jauhettua kahvia. Kaada vesi tämän jälkeen pois.

### POUR OVER -TEKNIKALLA VARUSTETUN KAHVINKEITTIMEN KÄYTTÖ

- Avaa vesisäiliön kansi (4) ja täytä säiliö halutulla määrällä kylmää vettä. Älä kuitenkaan täytä MAX-rajaa yli. Sulje kansi (4).
- Voit myös ottaa vesisäiliön (2) pois vedellä täyttämistä varten tai laitetta puhdistaessasi. Poista tätä varten vesisäiliön kansi (4) ja nosta vesisäiliö (2) varovasti kahvasta pystysuunnassa ylöspäin ja pois pour over -tekniikalla varustetusta kahvinkeitTIMESTÄ (3).

**Huomautus:** Jos vesisäiliö (2) on tyhjä tai se ei ole paikallaan, laite ei ole kytkeytynyt päälle turvallisuussyistä, jotta kuumennuselementti ei toimisi kuivana.

**Varoitus:** Lisää vesisäiliöön (2) kylmää ja puhdasta vettä. Älä lisää vesisäiliöön maitoa tai muita nesteitä.



- Poista termoskannu (8) pour over -tekniikalla varustetusta kahvinkeitimestä. Ota nyt suodatinpidin (6), jossa on kahvisuodatin (7), varovasti pois pour over -tekniikalla varustetun kahvinkeitimen kotelosta (1). Voit tehdä täyden kannullisen kahvia täyttämällä kahvisuodattimeen (7) noin 8 BODUM®-mittalusikallista (16) keskikarkeaksi jauhettua kahvia. Pienempään kahvimäärään tarvitaan sopivasti vähennetty määrä keskikarkeaksi jauhettua kahvia. (Huomaa taulukko, jossa on annostelusuositukset.) Liu'uta nyt suodatinpidin (6), jossa on kahvisuodatin (7), varovasti takaisin automaattisen suihkupäällä varustetun kahvinkeitimen koteloon.

**VAROITUS:** Käytä vain laitteen mukana toimitettua kahvisuodatinta (7). Älä koskaan käytä paperisuodattimia.

- Laita termoskannu (8) pour over -tekniikalla varustettuun kahvinkeitimeen niin, että sekä annostelukansi (9) että kannen peitelevy (10) ovat paikallaan. Varmista, että termoskannu (8) on aivan suodatinpitimen (6) alapuolella.

**Huomautus:** Turvakytkin (14) tunnistaa termoskannun (8), kun se on paikallaan laitteessa. Jos termoskannua ei sijoiteta oikein pour over -tekniikalla varustettuun kahvinkeitimeen, se ei kytkeydy päälle.

- Paina virtapainiketta (15). Virtakytkin palaa vihreänä koko kahvin valmistuksen ajan.
- Muutaman sekunnin kuluttua vesi alkaa virrata kahvisuihkun (11) läpi suodatinpitimeen (6) ja sieltä termoskannuun (8). Tämä vie noin 6 minuuttia täyttää pannua (1,2 l / 40 nesteunssia) kohti.
- Pour over -tekniikalla varustetun kahvinkeitimen virta katkeaa automaattisesti, kun vesisäiliössä (2) ei enää ole vettä.

**Huomautus:** Pour over -tekniikalla varustetun kahvinkeitimen virta katkeaa automaattisesti myös silloin, jos termoskannu (8) poistetaan laitteesta kahvin valmistuksen aikana.

- Voit jatkaa valmistusta painamalla virtakytkintä (15) uudelleen heti kun termoskannu (8) on laitettu oikeassa asennossa takaisin pour over -tekniikalla varustettuun kahvinkeitimeen.

## POUR OVER -TEKNIIKALLA VARUSTETUN KAHVINKEITTIMEN PUHDISTUS

- Älä koskaan käytä kemikaaleja, teräsvillaa tai hankaavia aineita automaattisen suihkupäällä varustetun kahvinkeitimen puhdistukseen.
- Puhdista kotelo (1) vain kostealla liinalla.
- Älä koskaan upota koteloa veteen. Muista, että tämä on sähkölaite.

**Huomautus:** Irrota aina pour over -tekniikalla varustettu kahvinkeitin verkkovirrasta ennen puhdistusta.

- Puhdista pour over -tekniikalla varustettu kahvinkeitin käytön jälkeen aina, kun se on mahdollista. Seuraavat osat ovat konepestäviä (vain astianpesukoneen yläosastossa):

- 2 Vesisäiliö
- 3 Vesisäiliön kahva
- 4 Vesisäiliön kansi
- 6 Suodatinpidin
- 7 Kahvisuodatin
- 9 Annostelukansi
- 10 Kannen peitelevy
- 11 Kahvisuihku
- 12 Suuri korkki
- 13 Pieni korkki
- 16 Mittalusikka

– Kierrä annostelukansi (9) pois termoskannusta (8) puhdistuksen helpottamiseksi. Huuhtelee termoskanu (8) perusteellisesti lämpimällä vedellä käytön jälkeen.

**Varoitus:** Termoskannua (8) ei saa pestä astianpesukoneessa. Älä upota termoskannua veteen.

– Kannen peitelevy (10) voidaan poistaa annostelukannesta (9) puhdistuksen helpottamiseksi. Sekä annostelukansi että kannen peitelevy ovat konepestäviä.

## HOITO

### POUR OVER -TEKNIKALLA VARUSTETUN KAHVINKEITTIMEN KALKINPOISTO

– Jotta pour over -tekniikalla varustettu kahvinkeitin toimisi oikein, on varmistettava, että laite pysyy kalkittomana. Optimaalinen kalkinpoistoväli riippuu veden kovuudesta, joka vaihtelee maittain. On suositeltavaa poistaa kalkki aina 100 käyttökerran jälkeen.

**Tärkeää:** Jos et poista kalkkia pour over -tekniikalla varustetusta kahvinkeittimestä, se voi vaurioitua.

– Jos liiallinen kalkki kytkee laitteen pois päältä automaattisesti, virtakytkin (15) palaa punaisena. Poista tällöin heti pour over -tekniikalla varustetun kahvinkeittimen kalkki, sillä laite ei enää toimi.

– Säännöllinen kalkinpoisto voi pidentää tuotteen ikää, ja se takaa sen virheettömän toiminnan. Lisäksi säännöllinen kalkinpoisto johtaa vähäisempään höyryn muodostumiseen, nopeampiin valmistusajoihin ja energiasäästöihin.

– Jäämät on poistettava kaupallisesti saatavilla olevalla kahvinkeittimille tarkoitettulla kalkinpoistoliuksella tai etikka- ja vesiliuksella (20 % etikkaa ja 80 % vettä). Jos käytät kaupallisesti saatavilla olevia liuoksia, varmista, että ne sopivat kuparista valmistetuille kuumennuselementeille ja silikonimateriaaleille. (Tarkista huolellisesti valmistajan tuotetiedot ja annosteluohjeet).

– Täytä vesisäiliö (2) kalkinpoistoliuksella tai etikka- ja vesiliuksella (älä täytä MAX-rajan yli) ja aseta kahvisuihku (11), suodatinpidin (6), kahvisuodatin (7) (ilman jauhettua kahvia) ja termoskanu (8) annostelukansi (9/10) kiinni niille tarkoitetuille paikoille laitteessa.

- Huuhtele tämän jälkeen erilliset osat perusteellisesti kylmällä vedellä sekä huuhtele laite antamalla kylmän ja puhtaan veden juosta laitteen läpi ainakin kahdesti. Varmista tätä ennen, että kaikki erilliset osat on koottu oikein pour over -tekniikalla varustettuun kahvinkeittimeen .
- Valtuutetun huoltoedustajan on tehtävä kaikki muut huoltotoimet.

### **KAHVISUIHKUN PUHDISTUS**

Kahvisuihku (11) voidaan puhdistaa ja siinä oleva kalkki poistaa erikseen. Poista tätä varten pour over -tekniikalla varustetun kahvinkeitimen kotelon kansi (5) kotelosta (1). Nosta tämän jälkeen kahvisuihku (11) huolellisesti pystysuunnassa ylöspäin ja pois pour over -tekniikalla varustetusta kahvinkeitimestä. Poista seuraavaksi suuri korkki (12) ja pieni korkki (13) vetämällä ne hitaasti pois kahvisuihkusta. Puhdista kaikki osat perusteellisesti kalkinpoistoliuoksella. Huuhtele tämän jälkeen kaikki osat perusteellisesti puhtaalla vedellä ennen kuin kokoat kahvisuihkun huolellisesti takaisin. Varmista, että suuri korkki ja pieni korkki on asetettu oikein ja tukevasti paikalleen. Sijoita kahvisuihku takaisin pour over -tekniikalla varustettuun kahvinkeittimeen ja aseta kotelon kansi huolellisesti paikalleen.

**VAROITUS:** Älä käytä kahvisuihkun puhdistamiseen kovia harjoja tai teräviä esineitä, sillä ne voivat vaurioittaa silikonipintaa.

**TÄRKEÄÄ:** Takuu mitätöityy, jos kalkkia ei poisteta tai kalkinpoistoa ei tehdä käyttöohjeiden mukaisesti.

### **VARASTOINTI**

Irrota aina pour over -tekniikalla varustettu kahvinkeitin verkkovirrasta, kun se ei ole käytössä.

## TEKNISET TIEDOT

Verkkovirran jännite, Eurooppa	220–240 V ~ 50/60 Hz
Verkkovirran jännite, Yhdysvallat	120 V ~ 60 Hz
Nimellisteho, Eurooppa	1450 W
Nimellisteho, Yhdysvallat	1450 W
Kaapelin pituus	80 cm
Tilavuus	1,2 litraa / 40 nesteussia
Testimerkinnät	GS, CE, ETL, CETL

## HUOLTO- JA TAKUUEHDOT

Kaikki BODUM®-tuotteet on valmistettu korkealaatuisista ja kestävästä materiaaleista. Jos osia joudutaan kuitenkin vaihtamaan, ota yhteys BODUM®-jälleenmyyjääsi, BODUM®-myymälään, maasi yleiseen BODUM®-edustajaan tai käy osoitteessa [www.bodum.com](http://www.bodum.com).

**Takuu:** BODUM® tarjoaa pour over -tekniikalla varustetulle BISTRO-kahvinkeitinille 2 vuoden takuun, joka on voimassa ostopäivästä alkaen. Tämä kattaa materiaali- ja toimintaviat, joiden voidaan katsoa olevan valmistus- tai suunnitteluvikoja. Jos kaikki takuun ehdot täyttyvät, korjaukset toteutetaan veloitusetta. Maksun palautus ei ole mahdollista.

Takuuehdot: Ostajan on täytettävä takuutodistus kokonaisuudessaan oston yhteydessä. BODUM®-takuu ei kata virheellisen käsittelyn, virheellisen käytön, normaalin kulumisen, puutteellisen tai virheellisen hoidon, väärän käytön tai valtuuttamattomien henkilöiden sormeilun aiheuttamaa vauriota.

## YMPÄRISTÖÄ SÄÄSTÄVÄ HÄVITTÄMINEN

Sähkölaitteiden hävittäminen talousjätteiden kanssa ei ole sallittua, vaan ne on kerättävä erikseen. Yksityishenkilöt voivat hävittää ne jätteenkeräyskeskuksissa ilmaiseksi. Käytettyjen laitteiden omistajan velvollisuutena on viedä sähkölaitteet keräyskeskuksiin tai toimittaa ne sopivaan keräykseen. Tällä vähäisellä henkilökohtaisella vaivannäöllä varmistat, että raaka-aineet kierrätetään ja haitalliset aineet käsitellään oikein.

## Вас приветствует BODUM®

*Поздравляем! Вы стали счастливым обладателем капельной кофеварки BISTRO от BODUM®. Перед использованием капельной кофеварки внимательно прочтите это руководство по эксплуатации.*

## ВАЖНЫЕ УКАЗАНИЯ ПО ТЕХНИКЕ БЕЗОПАСНОСТИ

- Перед тем, как воспользоваться электроприбором в первый раз, прочтите все инструкции. Несоблюдение инструкций и указаний по технике безопасности может привести к опасным ситуациям.
- Распаковав электроприбор, проверьте его на наличие повреждений. Если вы не уверены в исправности электроприбора, не пользуйтесь им, а обратитесь к вашему дилеру.
- Храните упаковочные материалы (картон, пластиковые пакеты, и т. д.) в месте, недоступном для детей (опасность удушья или травмы).
- Используйте электроприбор только по назначению.
- Эта капельная кофеварка предназначена только для домашнего пользования. Не пользуйтесь электроприбором вне помещения.
- Не размещайте электроприбор вблизи от включенной или горячей газовой или электрической плиты или в разогретой печи.
- Производитель не несет ответственности за повреждения или травмы, вызванные неправильным использованием прибора или использованием его не по назначению. Используйте электроприбор только по назначению.
- Не позволяйте детям играть с электроприбором.
- Не оставляйте электроприбор без присмотра вблизи от детей или лиц, незнакомых с его работой.
- Этот электроприбор не предназначен для использования лицами (включая детей) с пониженными физическими, сенсорными или умственными способностями или с недостатком опыта и знаний, за исключением случаев, когда такие лица находятся под присмотром или получили инструкции по использованию электроприбора от лица, ответственного за их безопасность. Не позволяйте детям играть с электроприбором.
- Не касайтесь электроприбора влажными или мокрыми руками. Не касайтесь кабеля питания или штепсельной вилки мокрыми руками.
- Не касайтесь горячих поверхностей. Держите термос-контейнер и фильтродержатель только за ручку.
- Не используйте сменные насадки, не рекомендованные производителем электроприбора. Это может стать причиной пожара, поражения электрическим током или травмы.
- Для США – Канады: Вилка этого электроприбора является поляризованной (один контакт шире, чем другой). Чтобы снизить риск поражения электрическим током, эта вилка вставляется в поляризованную розетку. Если вилка не входит в розетку полностью, переверните вилку другой стороной. Если и после этого

- вилка не входит в розетку, обратитесь к квалифицированному электрику. Не пытайтесь тем или иным способом придать вилке другую форму.
- Не включайте электроприбор при отсутствии воды.
  - Не наполняйте емкость для воды (2) выше отметки MAX.
  - Никогда не включайте электроприбор без головки-распылителя (11) и фильтродержателя (6).
  - Избегайте контакта с паром, выделяемым в процессе варки. В противном случае существует риск обваривания.
  - Не открывайте крышку во время работы, иначе можно обжечься.
  - Кипящая вода может быть причиной ожогов.
  - Не закрывайте доступ к кнопке ВКЛ/ВЫКЛ (15).
  - **ОСТОРОЖНО:** Во избежание повреждения электроприбора, не используйте щелочные моющие средства. При чистке используйте мягкую ткань и мягкодействующее моющее средство.
  - Не опускайте устройство в воду. Помните, что это - электрический прибор.
  - Чистите корпус (1) только с помощью влажной тряпки.
  - Чтобы выключить электроприбор, нажмите кнопку ВКЛ/ВЫКЛ (15) и вытащите вилку из розетки.
  - Всегда тяните за вилку, а не за кабель при отсоединении электроприбора от сети.
  - Не допускайте, чтобы кабель питания свешивался через край стола или столешницы или касался горячих поверхностей.
  - Вытащите вилку из розетки, если кофеварка не используется, или перед ее чисткой. Дайте электроприбору охладиться перед его чисткой и перед установкой или снятием деталей.
  - Никогда не включайте электроприбор, если повреждены кабель питания или вилка, после появления неисправностей или когда сам электроприбор получил какое-либо повреждение. В таких случаях доставьте электроприбор в ближайший авторизованный сервисный центр для проверки, ремонта или регулировки.
  - Не пытайтесь заменять кабель питания электроприбора. Для этого требуются специальные инструменты. Чтобы гарантировать безопасность электроприбора, его ремонт или замена кабеля питания должны производиться только в сервисном центре, уполномоченном производителем.
  - Не опускайте кабель питания, штепсельную вилку или электроприбор в воду или другие жидкости, так как это может стать причиной пожара, поражения электрическим током или травмы.
  - Перед использованием убедитесь, что поверхность, на которой устанавливается электроприбор, сухая.
  - При работе с электроприбором всегда должны быть установлены крышка корпуса (5), фильтродержатель (6) и фильтр для кофе (7).

## УСТАНОВКА

- Установите электроприбор на устойчивой, ненагревающейся ровной поверхности, вдали от источников высоких температур. Поверхность должна быть сухой. Храните электроприбор и кабель питания в недоступном для детей месте.
- При использовании капельной кофеварки не ставьте корпус (1) на металлический поднос или другую металлическую поверхность.
- Проверьте, соответствует ли напряжение, указанное на заводской табличке электроприбора, напряжению сети в вашем регионе. Подсоединяйте электроприбор только к правильно заземленной розетке с выходным током не менее 6 А. (Используйте устройство защитного отключения [УЗО]. При необходимости, обратитесь за советом к электрику). Во время использования электроприбора должен быть обеспечен легкий доступ к розетке на случай чрезвычайных ситуаций. Производитель не несет ответственности за любые несчастные случаи, вызванные плохим заземлением или отсутствием заземления электроприбора.
- Если штепсельная розетка не подходит для использования с вилкой электроприбора, розетка должна заменяться квалифицированным электриком.

## ХРАНИТЕ ЭТО РУКОВОДСТВО ПО ЭКСПЛУАТАЦИИ В НАДЕЖНОМ МЕСТЕ

- 1 Корпус
- 2 Емкость для воды
- 3 Ручка емкости для воды
- 4 Крышка емкости для воды
- 5 Крышка корпуса
- 6 Фильтродержатель
- 7 Фильтр для кофе
- 8 Термос-контейнер
- 9 Дозирующая крышка
- 10 Закрывающая крышка
- 11 Головка-распылитель
- 12 Большая заглушка
- 13 Малая заглушка
- 14 Предохранительный выключатель
- 15 Выключатель ВКЛ/ВЫКЛ и индикатор накипи
- 16 Мерная ложка BODUM

## ВАЖНАЯ ИНФОРМАЦИЯ

### КАБЕЛЬ ПИТАНИЯ

- В комплект поставки электроприбора входит короткий кабель питания, чтобы снизить риски от запутывания или спотыкания людей о длинный кабель.
- При соблюдении надлежащей осторожности можно использовать кабель-удлинитель.
- При использовании кабеля-удлинителя указанные номинальные электрические параметры кабеля-удлинителя как минимум должны соответствовать номинальным параметрам электроприбора. Если электроприбор заземлен, то в качестве удлинителя необходимо использовать трехжильный заземленный кабель. Более длинный кабель должен прокладываться так, чтобы он не свешивался через край стола или столешницы, чтобы до него не могли дотянуться дети и чтобы об него не могли споткнуться проходящие.

### РУЧНОЕ ВЫКЛЮЧЕНИЕ КАПЕЛЬНОЙ КОФЕВАРКИ

С помощью выключателя ВКЛ/ВЫКЛ (15) капельную кофеварку можно выключить в любое время.

### ЗАЩИТНОЕ ОТКЛЮЧЕНИЕ

Капельная кофеварка имеет защиту от повреждений, вызываемых недостаточным количеством воды. Защитное реле автоматически отключает электроприбор, когда израсходована вся вода или нагревательный элемент становится слишком горячим.

Капельная кофеварка имеет защиту от повреждений, вызываемых образованием накипи. Защитное реле автоматически отключает электроприбор при чрезмерном образовании накипи. Если выключатель ВКЛ/ВЫКЛ (15) горит красным цветом, капельную кофеварку следует очистить от накипи, и только после этого машину можно снова запустить в работу.

### ПЕРЕД ИСПОЛЬЗОВАНИЕМ КАПЕЛЬНОЙ КОФЕВАРКИ

Очистите электроприбор перед первым использованием. Для этого наполните водой емкость для воды (2) до отметки MAX и дайте электроприбору поработать с установленным фильтродержателем (6), фильтром для кофе (7) и термосом-контейнером (8), но без молотого кофе. После этого просто слейте воду.

### КАК ПОЛЬЗОВАТЬСЯ КАПЕЛЬНОЙ КОФЕВАРКОЙ

- Откройте крышку (4) емкости для воды и залейте требуемое количество холодной воды. Но не наполняйте емкость выше отметки MAX. Закройте крышку (4).
- Вы можете также снять емкость для воды (2) для того, чтобы долить воду или очистить устройство. Для этого снимите крышку (4) емкости для воды, осторожно поднимите емкость для воды (2) вертикально вверх и вытащите из капельной кофеварки за ручку (3).

Примечание: Если емкость для воды (2) пустая или не установлена, то электроприбор не будет включаться, чтобы предотвратить работу нагревательного элемента в сухую.



Внимание: Заливайте в емкость для воды (2) только холодную, чистую воду. Не добавляйте в емкость для воды молоко или другие жидкости.

– Снимите с капельной кофеварки термос-контейнер (8). Теперь осторожно вытащите из корпуса (1) капельной кофеварки фильтродержатель (6) со вставленным фильтром для кофе (7). На контейнер кофе насыпьте в фильтр для кофе (7) примерно 8 мерных ложек BODUM® (16) молотого кофе среднего помола. Для приготовления меньшего количества кофе вам соответственно потребуется меньше мерных ложек молотого кофе среднего помола. (Соблюдайте данные таблицы «Рекомендуемая дозировка».) Теперь осторожно вставьте обратно в корпус капельной кофеварки фильтродержатель (6) с установленным фильтром для кофе (7).

**ОСТОРОЖНО:** Используйте только фильтр для кофе (7), входящий в комплект поставки электроприбора. Никогда не используйте бумажные фильтры.

– Вставьте в капельную кофеварку термос-контейнер (8) с установленной дозирующей крышкой (9) и закрывающей крышкой (10). Убедитесь, что термос-контейнер (8) расположен точно под фильтродержателем (6).

Примечание: Предохранительный выключатель (14) распознает, находится ли в устройстве термос-контейнер (8). Если термос-контейнер размещен в капельной кофеварке неправильно, то кофеварка не включится.

– Нажмите на выключатель ВКЛ/ВЫКЛ (15). Выключатель ВКЛ/ВЫКЛ горит зеленым цветом в течение всего процесса варки.

– Через несколько секунд вода через головку-распылитель (11) начинает протекать в фильтродержатель (6) и затем в термос-контейнер (8). Этот процесс требует примерно 6 минут для приготовления контейнера кофе (1,2 л/40 унций).

– Капельная кофеварка выключается автоматически, как только в емкости для воды (2) заканчивается вода.

Примечание: Капельная кофеварка также выключается автоматически, как только в процессе варки с устройства снимается термос-контейнер (8).

– Чтобы возобновить процесс варки, просто снова нажмите на выключатель ВКЛ/ВЫКЛ (15) после того, как термос-контейнер (8) поставлен назад в капельную кофеварку в правильном положении.

## ОЧИСТКА КАПЕЛЬНОЙ КОФЕВАРКИ

– Для очистки капельной кофеварки не используйте химические вещества, стальную мочалку или абразивные чистящие средства.

– Чистите корпус (1) только с помощью влажной тряпки.

– Не опускайте корпус устройства в воду. Помните, что это - электрический прибор.

Примечание: Перед очисткой устройства всегда отсоединяйте капельную кофеварку от сети.

– По возможности, очищайте капельную кофеварку после каждого использования. Следующие детали пригодны для мойки в посудомоечной машине (только в верхнем отделении посудомоечной машины):

- 2 Емкость для воды
- 3 Ручка емкости для воды
- 4 Крышка емкости для воды
- 6 Фильтродержатель
- 7 Фильтр для кофе
- 9 Дозирующая крышка
- 10 Закрывающая крышка
- 11 Головка-распылитель
- 12 Большая заглушка
- 13 Малая заглушка
- 16 Мерная ложка

– Для простой очистки открутите дозирующую крышку (9) с термоса-контейнера (8). Тщательно промойте термос-контейнер (8) после использования теплой водой.

Внимание: Термос-контейнер (8) не пригоден для мойки в посудомоечной машине. Не опускайте термос-контейнер в воду.

– Для облегчения очистки можно снять закрывающую крышку (10), вынув ее из дозирующей крышки (9). И дозирующая крышка, и закрывающая крышка пригодны для мойки в посудомоечной машине.

## УХОД И ОБСЛУЖИВАНИЕ

### ОЧИСТКА КАПЕЛЬНОЙ КОФЕВАРКИ ОТ НАКИПИ

– Чтобы гарантировать правильную работу капельной кофеварки, машину необходимо регулярно очищать от накипи. Оптимальный цикл удаления накипи зависит от жесткости воды соответствующей страны. Мы рекомендуем очищать машину от накипи через каждые 100 завтраков.

Внимание: Если не очищать капельную кофеварку от накипи, это может привести к серьезному повреждению!

– Если при чрезмерном образовании накипи устройство автоматически отключается, выключатель ВКЛ/ВЫКЛ (15) загорается красным цветом. Капельную кофеварку можно снова включить только после удаления накипи.

– Регулярное удаление накипи может продлить срок службы изделия и гарантирует его безупречное функционирование. Кроме того, регулярное удаление накипи приводит к меньшему образованию пара, сокращению времени приготовления и экономии энергии.

– Отложения следует удалять с помощью имеющегося в продаже раствора для удаления накипи для кофемашин или раствора уксуса с водой (20% уксуса и 80% воды). При использовании имеющихся в продаже растворов для удаления накипи убедитесь, что они пригодны для использования с нагревательными элементами, изготовленными из меди, а также силиконовых материалов. (Строго соблюдайте спецификации и указания производителя по дозировке).

– Наполните емкость для воды (2) раствором для удаления накипи или раствором уксуса с водой (не наполняйте выше отметки MAX) и установите в устройство головку-распылитель (11), фильтродержатель (6), фильтр для кофе

(7) (без молотого кофе) и термос-контейнер (8) с дозирующей крышкой (9/10) в предусмотренные для них положения.

- Затем тщательно промойте отдельные детали холодной водой и как минимум два раза прополощите устройство в холодной, чистой воде. Перед этим убедитесь, что все отдельные детали правильно смонтированы в капельной кофеварке.
- Любое другое обслуживание выполняется в авторизованном сервисном центре.

## **ОЧИСТКА ГОЛОВКИ-РАСПЫЛИТЕЛЯ**

Головку-распылитель (11) можно очищать и удалять с нее накипь отдельно. Для этого снимите крышку (5) с корпуса (1) капельной кофеварки. Затем осторожно поднимите головку-распылитель (11) вертикально вверх и извлеките из капельной кофеварки. Теперь снимите большую заглушку (12) и малую заглушку (13), медленно извлекая их из головки-распылителя. Тщательно очистите все детали раствором для удаления накипи. Затем тщательно промойте все детали чистой водой перед повторной сборкой головки-распылителя. Убедитесь, что большая и малая заглушки правильно и плотно сидят на месте. Теперь снова установите головку-распылитель в капельную кофеварку и осторожно поставьте на место крышку корпуса.

**ОСТОРОЖНО:** Для очистки головки-распылителя не используйте жесткие щетки или заостренные или острые предметы, так как они могут поцарапать или повредить силиконовую поверхность.

**ВНИМАНИЕ:** Гарантия теряет силу, если не выполняется удаление накипи или это производится не в соответствии с руководством по эксплуатации.

## **ХРАНЕНИЕ**

Всегда отсоединяйте капельную кофеварку от сети, если она не используется.

## WARRANTY SERVICE FOR USA – CANADA

For more information or questions, warranty claim and return authorization  
FREE CALL – 1.800.23.BODUM/WARRANTY@BODUMUSA.COM

**WARRANTY CLAIM CAN NOT BE DONE WITHOUT PROOF OF PURCHASE.**

BODUM® warrants the original purchaser from defects in materials and workmanship (parts & labor) for the period of two years from the date of original consumer purchase. To be eligible for warranty coverage the product must be purchased from an authorized BODUM® dealer and proof of purchase must be provided.

**2 YEARS LIMITED WARRANTY CERTIFICATE. POUR OVER COFFEE MACHINE**  
**CERTIFICAT DE GARANTIE LIMITÉE DE 2 ANS. CAFETIÈRE FILTRE AUTOMATIQUE**  
**CERTIFICADO DE GARANTÍA LIMITADA DE 2 AÑOS. CAFETERA DE FILTRO**

Proof of purchase  
Firmenstempel  
Cachet du revendeur  
Firmastempel  
Sello de la empresa  
Timbro del rivenditore  
Stempel van de zaak  
Firmastämpel  
Carimbo da empresa  
Ostotodistus  
Доказательство покупки

Date  
Datum  
Date  
Dato  
Fecha  
Data  
Datum  
Datum  
Data  
Päivämäärä  
Дата

### 11001 BISTRO

**GUARANTEE CERTIFICATE – GUARANTEE: 2 YEARS. POUR OVER COFFEE MACHINE**  
**GARANTIEZERTIFIKAT – GARANTIE: 2 JAHRE. AUFBRÜH-KAFFEEMASCHINE**  
**CERTIFICAT DE GARANTIE – GARANTIE: 2 ANS. CAFETIÈRE FILTRE AUTOMATIQUE**  
**GARANTIBEVIS – GARANTI: 2 ÅR. KAFFEBRYGGER MED OVERHÆLDNING**  
**CERTIFICADO DE GARANTIA – GARANTÍA: 2 AÑOS. CAFETERA DE FILTRO**  
**CERTIFICATO DI GARANZIA – GARANZIA: 2 ANNI. CAFFETTIERA AUTOMATICA PER INFUSIONE**  
**GARANTIECERTIFICAAT – GARANTIE: 2 JAAR. FILTER-KOFFIEZETAPPARAAT**  
**GARANTIBEVIS – GARANTI: 2 ÅR. AUTOMATISK STRILKAFFEBRYGGARE**  
**CERTIFICADO DE GARANTIA – GARANTIA: 2 ANOS. CAFETEIRA COM FILTRO**  
**TAKUUTODISTUS - TAKUU: 2 VUOTTA. KAHVINKEITIN POUR OVER -TEKNIKALLA**  
**СЕРТИФИКАТ ГАРАНТА - ГАРАНТИЯ: 2 ГОДА: КАПЕЛЬНАЯ КОФЕВАРКА**



[www.bodum.com](http://www.bodum.com)

## ТЕХНИЧЕСКИЕ ДАННЫЕ

Номинальное напряжение для Европы	220 - 240 В~ 50/60 Гц
Номинальное напряжение для США	120 В~ 60 Гц
Номинальная мощность для Европы	1450 Вт
Номинальная мощность для США	1450 Вт
Длина кабеля	80 см
Объемная вместимость	1,2 литра / 40 жидких унций
Знаки приемки	GS, CE, ETL, CETL

## УСЛОВИЯ ЭКСПЛУАТАЦИИ И ГАРАНТИИ

Продукция BODUM® производится из высококачественных, износостойких материалов. Однако, если потребуется замена деталей, обратитесь к вашему дилеру BODUM®, к розничному продавцу BODUM®, в генеральное представительство компании BODUM® в вашей стране или посетите веб-сайт по адресу [www.bodum.com](http://www.bodum.com).

Гарантия: Компания BODUM® дает на капельную кофеварку «BISTRO» гарантию сроком на 2 года, действующую с даты покупки. Она охватывает дефекты материалов и неисправности, которые могут быть связаны с дефектами при изготовлении или проектировании. При выполнении всех условий гарантии ремонт вашего электроприбора будет производиться бесплатно. Расходы не подлежат возмещению.

Условия гарантии: Гарантийное свидетельство должно быть заполнено в полном объеме продавцом в момент приобретения. Гарантия компании BODUM® не распространяется на повреждения, вызванные нецелевым использованием, неправильной эксплуатацией, нормальным износом, ошибочным или неправильным уходом или обслуживанием, неправильным обращением или вмешательством неправомочных лиц.

## ЭКОЛОГИЧНАЯ УТИЛИЗАЦИЯ

Не разрешается выбрасывать старые электроприборы вместе с обычными бытовыми отходами; они должны утилизироваться отдельно. Их утилизация в центрах по сбору и удалению отходов является бесплатной для частных лиц. Владелец использованных электроприборов обязан доставить электроприборы в центры по сбору отходов или передать их для соответствующего сбора. С помощью этих незначительных затрат времени вы вносите свой вклад, обеспечивая повторное использование ценных сырьевых материалов и надлежащую переработку вредных веществ.