

SALORA

**OPERATING INSTRUCTIONS
MODE D'EMPLOI
GEBRUIKSAANWIJZING**



19LED8000T

**COLOUR TELEVISION WITH REMOTE CONTROL
TELEVISEUR COULEUR A TELECOMMANDE
KLEURENTELEVISIE MET AFSTANDBEDIENING**



Contents

Safety Information	1
Getting Started	2
Notifications & Features & Accessories.....	2
Features	2
Control Buttons on the TV	2
Connect Power	3
Remote Control	4
Connections.....	5
Media Browser Menu.....	6
Quick Menu	6
TV Menu Features and Functions	7
General TV Operation	9
Using the Channel List	9
Configuring Parental Settings.....	9
Electronic Programme Guide (EPG)	9
Software Upgrade.....	10
Troubleshooting & Tips.....	10
PC Input Typical Display Modes	11
Supported File Formats for USB Mode	11
AV and HDMI Signal Compatibility	11

mental capabilities or lack of experience and / or knowledge use electrical devices unsupervised.

- For ventilation purposes, leave a free space of at least 10 cm all around the set.
- **Do not** block ventilation holes.
- **Do not** place the TV on sloping or unstable surfaces, the TV may tip over.
- Use this device in moderate climates.
- The power cord plug should be easily accessible. **Do not** place the TV, furniture, etc. on the power cord. A damaged power cord/plug can cause fire or give you an electric shock. Handle the power cord by the plug, **do not** unplug the TV by pulling the power cord. Never touch the power cord/plug with wet hands as this could cause a short circuit or electric shock. Never make a knot in the power cord or tie it with other cords. When damaged it must be replaced, this should only be done by qualified personnel.
- **Do not** use this TV in a humid or damp place. Do not expose the TV to liquids. If any liquid falls into the cabinet unplug the TV and have it checked by qualified personnel before operating it any further.
- **Do not** expose the TV to direct sunlight or other heat sources. 
- The TV should not be placed near to open flames or sources of intense heat such as an electric heater.
- Excessive sound pressure from earphones and headphones can cause hearing loss. 
- Ensure that no open flame sources, such as lit candles, are placed on top of the TV.
- To prevent injury, this TV must be securely attached to the wall in accordance with the installation instructions (if the option is available).
- Occasionally, a few non-active pixels may appear on the screen as a fixed blue, green or red point. Please note that this does not affect the performance of your product. Take care not to scratch the screen with fingernails or other hard objects.
- Before cleaning, unplug the TV from the wall socket. Only use a soft, dry cloth while cleaning.

Safety Information

	CAUTION RISK OF ELECTRIC SHOCK DO NOT OPEN	
<p>CAUTION: TO REDUCE THE RISK OF ELECTRIC SHOCK DO NOT REMOVE COVER (OR BACK). NO USER-SERVICEABLE PARTS INSIDE. REFER SERVICING TO QUALIFIED SERVICE PERSONNEL.</p>		

To operate your TV in extreme ambient conditions may cause the damage of the device.



If there is lightning or storms, or if the TV is not going to be used for a while (e.g. if going away on holiday), disconnect the TV set from the mains. The mains plug is used to disconnect TV set from the mains and therefore it must remain readily operable.








The exclamation point within an equilateral triangle is intended to alert the user to the presence of important operating and maintenance (servicing) instructions in the literature accompanying the appliance.

Note : Follow the on screen instructions for operating the related features.



IMPORTANT - Please read these instructions fully before installing or operating

WARNING: Never let people (including children) with reduced physical, sensory or

 Warning	Serious injury or death risk
 Risk of electric shock	Dangerous voltage risk
 Caution	Injury or property damage risk
 Important	Correctly the system operate
 Notice	Additional notes marked

Getting Started

Notifications & Features & Accessories

Environmental Information

This television is designed to consume less energy to help save the environment. To reduce energy consumption, you should take the following steps:

If you set the Power Save Mode as **Eco**, the TV will switch to energy-saving mode. The Power Save Mode settings can be found in the 'Picture' section of the Main Menu. Note that some picture settings will be unavailable to be changed.

If **Picture Off** is selected, "Screen will be off in 3 seconds." message will be displayed. Select **PROCEED** and press **OK** to continue. The screen will be off immediately.

When the TV is not in use, please switch off or disconnect the TV from the mains plug. This will also reduce energy consumption.

Standby Notifications

1. If the TV does not receive any input signal (e.g. from an aerial or HDMI source) for 5 minutes, the TV will go into standby. When you next switch-on, the following message will be displayed: "**Standby Cause No Signal**" Press **OK** to continue.
2. If the TV has been left on and not been operated for a while, the TV will go into standby. When you next switch-on, the following message will be displayed. "**Standby Cause No Operation**" Press **OK** to continue.

Features

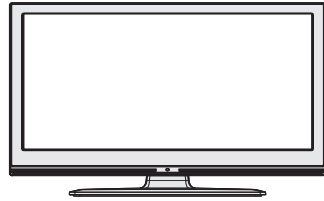
- Remote controlled colour TV.
- Fully integrated digital (DVB-T).
- HDMI inputs are for connecting a device that has a HDMI socket.
- USB input.
- OSD menu system.
- Scart socket for external devices (such as DVD Players, PVR, video games, etc.)
- Stereo sound system.
- Teletext.
- Headphone connection.
- Automatic programming system.
- Manual tuning.
- Automatic power down after up to six hours.
- Sleep timer.
- Child lock.
- Automatic sound mute when no transmission.
- NTSC playback.

- AVL (Automatic Volume Limiting).
- PLL (Frequency Search).
- PC input.
- Plug&Play for Windows 98, ME, 2000, XP, Vista, Windows 7.
- Game Mode (Optional).

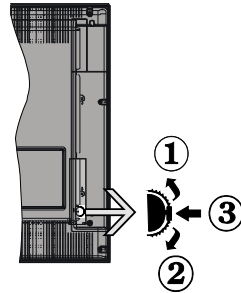
Accessories Included

- Remote Control
- Batteries: 2 x AAA
- Instruction Book

Control Buttons on the TV



TV Control Switch & Operation



1. Up direction
2. Down direction
3. Programme/Volume / AV / Standby-On selection switch

The Control button allows you to control the Volume/ Programme/ Source and Standby-On functions of the TV.

To change volume: Increase the volume by pushing the button up. Decrease the volume by pushing the button down.

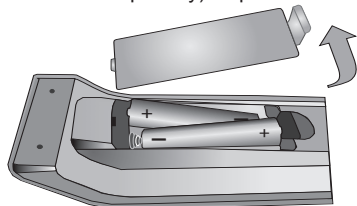
To change channel: Press the middle of the button, the channel information banner will appear on screen. Scroll through the stored channels by pushing the button up or down

To change source: Press the middle of the button twice, the source list will appear on screen. Scroll through the available sources by pushing the button up or down.

To turn the TV off: Press the middle of the button down and hold it down for a few seconds, the TV will turn into standby mode.

Inserting the Batteries into the Remote

Lift the cover on the back of the remote upward gently. Install two **AAA** batteries. Make sure to match the + and - ends of the batteries in the battery compartment (observe the correct polarity) Replace the cover.

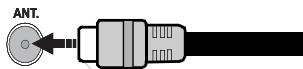


Connect Power

IMPORTANT: The TV set is designed to operate on **220-240V AC, 50 Hz** socket. After unpacking, allow the TV set to reach the ambient room temperature before you connect the set to the mains. Plug the power cable to the mains socket outlet.

Antenna Connection

Connect the "aerial" plug to the **AERIAL INPUT (ANT)** socket located on the back of the TV.



Notification

Manufactured under license from Dolby Laboratories.

TRADEMARK ACKNOWLEDGMENT

"Dolby" and the double-D symbol are trademarks of Dolby Laboratories.



"HDMI, the HDMI logo and High-Definition Multimedia Interface are trademarks or registered trademarks of HDMI Licensing LLC."

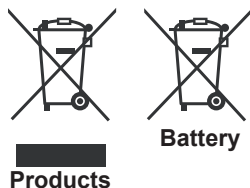


Information for Users on Disposal of Old Equipment and Batteries

[European Union only]

These symbols indicate that equipment with these symbols should not be disposed of as general household waste. If you want to dispose of the product or battery, please consider the collection systems or facilities for appropriate recycling.

Notice: The sign Pb below the symbol for batteries indicates that this battery contains lead.

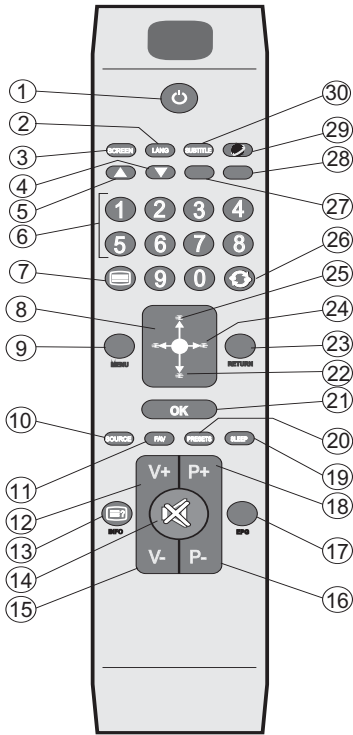


Specification

TV Broadcasting	PAL B/G D/K K
Receiving Channels	VHF (BAND I/III) - UHF (BAND U) - HYPERBAND
Number of Preset Channels	1000
Channel Indicator	On Screen Display
RF Aerial Input	75 Ohm (unbalanced)
Operating Voltage	220-240V AC, 50Hz.
Audio	German+Nicam Stereo
Audio Output Power (WRMS.) (10% THD)	2 x 2,5
Power Consumption	35 W
Weight	2,90
TV Dimensions DxLxH (with foot)	134 x 451 x 331
TV Dimensions DxLxH (without foot)	35 x 451 x 296
Operation temperature and operation humidity:	5°C up to 45°C, 85% humidity max

Getting Started

Remote Control



Teletext

Press button to enter. Press again to activate mix mode. Press once more to exit. Follow the instructions displayed on digital teletext screen.


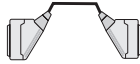

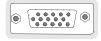


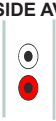
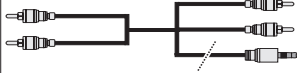







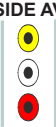











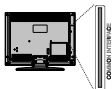


Digital Teletext (for UK only)


Press button to view digital teletext information. Operate it with the coloured buttons, cursor buttons and the **OK** button. The operation method may differ depending on the contents of the digital teletext. Follow the instructions displayed on the digital teletext screen. When the button is pressed again, the TV returns to television broadcast.

1. Standby
2. Mono/Stereo - Dual I-II / Current language
3. Image size
4. Green button
5. Red button
6. Numeric buttons
7. Teletext - Mix
8. Cursor left
9. Menu on/off
10. AV / Source
11. Favourite mode selection
12. Volume up
13. Info / Reveal (in TXT mode)
14. Mute
15. Volume down
16. Programme down / Page up
17. Electronic Programme Guide (EPG)
18. Programme up / Page down
19. Sleep timer
20. Picture mode selection
21. OK / Select / Hold (in TXT mode) / Channel list
22. Cursor down
23. Return / Index page (in TXT mode)
24. Cursor right / Subpage (in TXT mode)
25. Cursor up
26. Previous programme
27. Yellow button
28. Blue button
29. No function
30. Subtitle on-off / Subtitle (in Media Browser mode)

Getting Started

Connections

Connector	Type	Cables	Device
	SCART Connection (back)		
	VGA Connection (back)		
SIDE AV 	PC/YPbPr Audio Connection (side)	 Side Audio YPbPr or PC Connection Cable (Not supplied)	
	HDMI Connection (back)		
 SPDIF	SPDIF Connection (back)		
SIDE AV 	Side AV (Audio/Video) Connection (side)	 (Not supplied)	
 HEADPHONE	Headphone Connection (side)		
	YPbPr Video Connection (back)	 PC to YPbPr Connection Cable (Not supplied)	
 USB	USB Connection (side)		
	CI Connection (side)		

 **NOTE:** When connecting a device via the Side AV input, you must use the supplied connection cables to enable connection. See the illustrations above. You can use YPbPr to VGA cable (not supplied) to enable YPbPr signal via VGA input. You cannot use VGA and YPbPr at the same time. To enable PC audio, you will need to use the SIDE AV CONNECTION cable's WHITE & RED inputs. If an external device is connected via the SCART socket, the TV will automatically switch to AV mode. When receiving DTV channels (Mpeg4 H.264) or while in Media Browser mode, output will not be available via the scart socket. When using the wall mounting kit (optional), we recommend that you plug all your cables into the back of the TV before mounting on the wall. Insert or remove the CI module only when the TV is SWITCHED OFF. You should refer to the module instruction manual for details of the settings.

Getting Started

First Time Installation - USB Connections

Switching On/Off

To Switch the TV On

Connect the power cord to the 220-240V AC, 50 Hz.

To switch on the TV from standby mode either:

Press the "⏻" button, **P+** / **P-** or a numeric button on the remote control.

Press the side function switch until the TV comes on from standby.

To Switch the TV Off

Press the "⏻" button on the remote control or press the side function switch until the TV switches into standby mode.

To power down the TV completely, unplug the power cord from the mains socket.

Note: When the TV is switched to standby mode, the standby LED can blink to indicate that features such as Standby Search, Over Air Download or Timer is active. The LED can also blink when you switch on the TV from standby mode.

First Time Installation

When turned on for the first time, the language selection screen is displayed. Select the desired language and press OK.

The First Time Installation (FTI) screen will be displayed next. Set your preferences using the navigation buttons and when finished, press OK to continue.

You can activate **Store mode** option to be available in "Other settings" menu and your TV's features will be illustrated on the top of the screen. A confirmation screen will be displayed. Select **YES** to proceed.

If Home Mode is selected, Store mode will not be available after the First Time Installation. Press **OK** button to continue.

Default PIN code can change depending on the selected country.

If you are asked to enter a PIN code for viewing a menu option, use one of the following codes: **4725**, **0000** or **1234**.

Aerial Installation

If you select **AERIAL** option from the **Search Type** screen, the television will search for digital terrestrial TV broadcasts.

 **NOTE:** You can press **MENU** button to cancel.

After all the available stations are stored, the Channel List will be displayed on the screen. If you like how the channels are sorted according to the LCN (*), please select "Yes" and then press **OK**.

Press **MENU** button to quit channel list and watch TV. (* LCN is the Logical Channel Number system that organizes available broadcasts in accordance with a recognizable channel sequence (if available).

Media Playback via USB Input



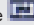


You can connect a 2.5" and 3.5" inch (hdd with external power supply) external hard disk drives or USB memory stick to your TV by using the USB inputs of the TV.

IMPORTANT! Back up your files before making any connections to the TV. Manufacturer will not be responsible for any file damage or data loss. Certain types of USB devices (e.g. MP3 Players) or USB hard disk drives/memory sticks may not be compatible with this TV. The TV supports FAT32 and NTFS disk formatting.

While formatting a USB hard disk that has 1TB (Tera Byte) or more file capacity, you can experience problems with the formatting process. Do not repeatedly quickly plug and unplug the drive. This may cause physical damage to the USB player and USB device itself. Do not pull out USB module while playing a file.

Media Browser Menu

You can play photo, music, and movie files stored on a USB disk by connecting it to your TV. Connect a USB disk to one of the USB inputs located on the side of the TV. Pressing the **MENU** button while in the Media Browser mode will access the Picture, Sound and Settings menu options. Pressing the **MENU** button again will exit from this screen. You can set your Media Browser preferences by using the Settings Menu.

Loop/Shuffle Mode Operation	
Start playback with  and activate 	TV plays next file and loop the list.
Start playback with OK and activate 	the same file will be played in a loop (repeat).
Start playback with OK/  and activate 	the file will be played in a shuffle.

Picture Menu Contents	
Mode	You can change the picture mode to suit your preference or requirements. Picture mode can be set to one of these options: Cinema, Game, Dynamic and Natural .
Contrast	Sets contrast level of the screen.
Brightness	Sets the brightness value for the screen.
Sharpness	Sets the sharpness value for the objects displayed on the screen.
Colour	Sets the color saturation.
Power Save Mode	To set the Power Save Mode as Eco, Picture Off and Disabled. (When the Mode is Dynamic, Power Save mode is automatically set as disabled.)
Backlight (Optional)	This setting controls the backlight level. The backlight function will be inactive if the Power Save Mode is set to Eco. The backlight cannot be activated in VGA, Media Browser mode or while the picture mode is set to Game.
Noise Reduction	If the broadcast signal is weak and the picture is noisy, use the Noise Reduction setting to reduce the amount of noise.
Advanced Settings	
Dynamic Contrast	You can change the Dynamic Contrast ratio to desired value.
Colour Temp	Sets the color temperature.
Picture Zoom	Sets the desired picture size from picture zoom menu. Note: Auto (Only available in Scart mode with SCART PIN8 high voltage/low voltage switching)
Film Mode	Films are recorded at a different number of frames per second to normal television programmes. Turn this feature on when you are watching films to see the fast motion scenes clearly.
Skin Tone	Skin tone can be changed between -5 and 5.
Colour Shift	With this option you can adjust the color shift to green or to red.
RGB Gain	You can configure the colour temperature values using the RGB Gain feature.
Reset	Resets the picture settings to factory default settings.(Except Game Mode)
Autoposition (in PC mode)	Automatically optimizes the display. Press OK to optimize.
H Position (in PC mode)	This item shifts the image horizontally to the right hand side or left hand side of the screen.
V Position (in PC mode)	This item shifts the image vertically towards the top or bottom of the screen.
Dot Clock (in PC mode)	Dot Clock adjustments correct the interference that appear as vertical banding in dot intensive presentations like spreadsheets or paragraphs or text in smaller fonts.
Phase (in PC mode)	Depending on the resolution and scan frequency that you input to the TV set, you may see a hazy or noisy picture on the screen. In such a case you can use this item to get a clear picture by trial and error method.
<i>While in VGA (PC) mode, some items in Picture menu will be unavailable. Instead, VGA mode settings will be added to the Picture Settings while in PC mode.</i>	

TV Menu Features and Functions

Sound Menu Contents	
Volume	Adjusts the volume level.
Equalizer	Selects the equalizer mode. Custom settings can be made only when in user mode.
Balance	This setting is used for emphasizing left or right speaker balance.
Headphone	Sets headphone volume.
Sound Mode	You can select a sound mode. (If the selected channel supports).
AVL (Automatic Volume Limiting)	Function sets the sound to obtain fixed output level between programmes.
Digital Out	Sets digital out audio type.
Settings Menu Contents	
Conditional Access	Controls conditional access modules when available.
Language	Configures language settings (may change depending on the country selected) Preferred and current settings will be available. Current settings can be changed only if the broadcaster supports.
Parental	Enter correct password to change parental settings. You can easily adjust menu lock, maturity lock (may change depending on the country selected) and child lock in this menu. You can also set new pin number.
Timers	Sets sleep timer to turn off the TV after a certain time. Sets timers for selected programmes.
Date/Time	Sets date and time.
Sources	Enables or disables selected source options.
Other Settings: Displays other setting options of the TV set:	
Menu Timeout	Changes timeout duration for menu screens.
Scan Encrypted Channels	When this setting is on, the search process will locate the encrypted channels as well.
Blue Background	Activates or deactivates the blue background system when the signal is weak or absent.
Software Upgrade	To ensure that your TV always has the most up to date firmware.
Application Version	Displays application version.
Hard of Hearing	Enables any special feature sent from the broadcaster.
Audio Description	<p>Audio description refers to an additional narration track for blind and visually impaired viewers of visual media, including television and movies. You can use this feature, only if the broadcaster supports that additional narration track.</p> <p><i>Note: Audio description sound feature cannot be available in recording or time shifting mode.</i></p>
Auto TV Off	You can set the timeout value of auto off feature. When the timeout value is reached and the TV has not been operated for a selected time, the TV will go into standby mode.

TV Menu Features and Functions

Standby Search (Optional)	If the Standby Search is set to On, when the TV is in standby mode, available broadcasts will be searched. If the TV locates any new or missing broadcasts, a menu screen will be displayed, asking you whether or not to execute these changes. Channel list will be updated and changed after this process.
Store Mode	If you are displaying the TV in a store, you can activate this mode. Whilst Store Mode is enabled, some items in the TV menu may not be available.
Power Up Mode	This setting configures the power up mode preference.
Install and Retune Menu Contents	
Automatic Channel Scan (Retune) (If available)	Displays automatic tuning options. Digital Aerial: Searches and stores aerial DVB stations. Analogue: Searches and stores analogue stations. Digital Aerial & Analogue: Searches and stores aerial DVB and analogue stations.
Manual Channel Scan	This feature can be used for direct broadcast entry.
Network Channel Scan	Searches for the linked channels in the broadcast system.
Analogue Fine Tune	You can use this setting for fine tuning analogue channels. This feature is not available if no analogue channels are stored.
First Time Installation	Deletes all stored channels and settings, resets TV to factory settings.

General TV Operation

Using the Channel List

The TV sorts all stored stations in the Channel List. You can edit this channel list, set favourites or set active stations to be listed by using the Channel List options.

Configuring Parental Settings

To prohibit viewing of certain programmes, channels and menus can be locked by using the parental control system.

To display parental lock menu options, the PIN number should be entered. The factory default PIN number is **0000**. After coding the correct PIN number, parental settings menu will be displayed.

Menu Lock (Optional): Menu lock setting enables or disables the menu access.

Maturity Lock (Optional): When set, this option gets the maturity information from the broadcast and if this maturity level is disabled, disables access to the broadcast.


Child Lock (Optional): When Child Lock is set, the TV can only be controlled by the remote control. In this case the control panel buttons will not work.

Set PIN: Defines a new PIN number.

Default PIN code can change depending on the selected country.

If you are asked to enter a PIN code for viewing a menu option, use one of the following codes: 4725, 0000 or 1234.

Electronic Programme Guide (EPG)



Some, but not all channels send information about the current and next programmes. Press the **GUIDE** button to view the  menu.


Red button (Prev Day): Displays the programmes of previous day.

Green button (Next day): Displays the programmes of the next day.

Yellow button (Zoom): Expands programme information.

Blue button (Filter): Views filtering options.

: Press  button to view Select Genre menu. Using this feature, you can search the programme guide database in accordance with the genre. Info available in the programme guide will be searched and results matching your criteria will be listed.

: Displays, in detailed, information on the programme selected.

Numeric buttons (Jump): Jumps to the preferred channel directly via numeric buttons.

OK: Displays programme options.

Text (Search): Displays "**Guide Search**" menu.

 (**Now**): Shows the current programme.

Programme Options

In **EPG** menu, press the **OK** button to enter the **Event Options** menu.

Select Channel

In **EPG** menu, using this option, you can switch to the selected channel.

Software Upgrade

Your TV is capable of finding and updating automatically via the Aerial/Cable signal.

Software upgrade search via user interface

Simply navigate on your main menu. Choose **Settings** and select **Other Settings** menu. In **Other Settings** menu navigate on to the **Software for Upgrade** item and press **OK** button to check for a new software upgrade.

3 AM search and upgrade mode

While the TV is connected to an aerial signal. If Automatic scanning in the Upgrade Options menu is enabled, the TV wakes up at 03:00 and searches broadcast channels for new software upgrades. If new software is found and downloaded successfully, the next time the TV powers up, it will have the new software version.

Note: If the TV fails to come on after the upgrade unplug the TV for 2 minutes and plug in again.

Troubleshooting & Tips

Tv will not turn on

Make sure the power cord is plugged in securely to wall outlet. The batteries in the remote control may be exhausted. Press the Power button on the TV.

Poor picture


- Have you selected the correct TV system?
- Low signal level can cause picture distortion. Please check antenna access.
- Check if you have entered the correct channel frequency if you have done manual tuning.

- The picture quality may degrade when two devices are connected to the TV at the same time. In such a case, disconnect one of the devices.

No picture

- No Picture means that your TV is not receiving a transmission. Have you selected the correct button on the remote control? Try once more. Also make sure the correct input source has been selected.
- Is the antenna connected properly?
- Is the antenna cable damaged?
- Are suitable plugs used to connect the antenna?
- If you are in doubt, consult your dealer.

No sound

- Has the TV been set to mute? To cancel mute, press the "" button, or increase the volume level.
- Sound is coming from only one speaker. Is the balance set to one extreme? See Sound Menu section.

Remote control - does not operate

- The batteries may be exhausted. Replace the batteries.

Input sources - can not be selected

- If you cannot select an input source, it is possible that no device is connected. if not
- Check the AV cables and connections if you have tried to connect a device.

PC Input Typical Display Modes

The following table is an illustration of some of the typical video display modes. Your TV may not support all resolutions. Your TV supports up to 1920x1080.

Index	Resolution	Frequency
1	1024x768	60 Hz
2	1280x768	60 Hz
3	1360x768	60 Hz
4	800x600	56 Hz
5	800x600	60 Hz
6	1024x768	60 Hz
7	1024x768	66 Hz
8	1280x768	60 Hz
9	1360x768	60 Hz
10	1280x1024	60 Hz
11	1280x960	60 Hz
12	1280x1024	60 Hz
13	1400x1050	60 Hz
14	1600x1200	60 Hz
15	1920x1080	60 Hz

AV and HDMI Signal Compatibility

Source	Supported Signals	Available	
EXT (SCART)	PAL 50/60	O	
	NTSC 60	O	
	RGB 50	O	
	RGB 60	O	
Side AV	PAL 50/60	O	
	NTSC 60	O	
PC/ YPbPr	480I, 480P	60Hz	O
	576I, 576P	50Hz	O
	720P	50Hz,60Hz	O
	1080I	50Hz,60Hz	O
	1080P	50Hz,60Hz	O
HDMI1	480I	60Hz	O
	480P	60Hz	O
	576I, 576P	50Hz	O
	720P	50Hz,60Hz	O
	1080I	50Hz,60Hz	O
	1080P	24Hz, 25Hz 30Hz, 50Hz, 60Hz	O

(X: Not Available, O: Available)

In some cases a signal on the TV may not be displayed properly. The problem may be an inconsistency with standards from the source equipment (DVD, Set-top box, etc.). If you do experience such a problem please contact your dealer and also the manufacturer of the source equipment.

Supported File Formats for USB Mode

Media	File Extension	Format		Remarks
		Video	Audio	(Maximum resolution/Bit rate etc.)
Movie	mpg, mpeg	MPEG1, MPEG2		MPEG1: 768x576 @30P MPEG2:1920x1080 @ 30P
	vob	MPEG2		1920x1080 @ 30P
	mp4	MPEG4, Xvid, H.264		
	mkv	H.264, MPEG4,VC-1		
	avi	MPEG2, MPEG4, Xvid, H.264		
	flv	H.264/VP6/Sorenson		H.264/VP6:1920x1080 @ 30P Sorenson: 352x288 @30P
3gp	MPEG4, H.264		1920x1080 @ 30P	
Music	.mp3	-	MPEG 1 Layer 1 / 2 (MP3)	32Kbps ~ 320Kbps(Bit rate) 32K, 44.1k, 48k Hz,16K, 22.05K, 24K Hz,8K, 11.025K, 12K Hz(Sampling rate)
Photo	.jpg .jpeg	Baseline JPEG	-	max WxH = 17000x10000 4147200bytes
	.	Progressive JPEG	-	max WxH = 4000x4000 3840000bytes
	.bmp	-	-	max WxH = 5760x4096 3840000bytes
Subtitle	.sub .srt	-	-	-

Table des matières

Consignes de sécurité	12
Mise en route	14
Notifications & Caractéristiques & Accessoires	14
Fonctions	14
Boutons de commande du téléviseur	14
Branchez le câble d'alimentation	15
Télécommande	16
Connexions (Connections)	17
Menu Navigateur média	19
Options et fonctions du menu TV	20
Fonctionnement général de la TV	23
Utilisation de la liste de chaînes	23
Configuration des paramètres parentaux	23
Guide électronique de programmes (EPG)	23
Mise à jour du logiciel	23
Dépannage et astuces.....	23
Modes d'affichage typiques d'une entrée de PC .	25
Formats de fichier pris en charge pour le mode USB	25
Compatibilité des signaux AV et HDMI	25

Consignes de sécurité

	AVERTISSEMENT RISQUE D'ELECTROCUTION NE PAS OUVRIR	
ATTENTION: TPOUR EVITER TOUT RISQUE D'ELECTROCUTION, NE RETIREZ PAS LE COUVERCLE. (OU LE ARRIERE). L'ENTRETIEN DES PIÈCES INTERNES EST INTERDIT AUX UTILISATEURS. VEUILLEZ CONFIER L'ENTRETIEN A UN PERSONNEL QUALIFIE.		

Le fait de faire fonctionner votre téléviseur TV dans des conditions ambiantes extrêmes peut l'endommager.



Si la tempête ou les éclairs surviennent ou si la TV ne sera pas utilisée pendant un bon bout de temps, (si par exemple vous partez en vacances) veuillez débrancher l'appareil de l'alimentation secteur. La prise d'alimentation est utilisée pour débrancher le téléviseur de l'alimentation secteur et doit donc rester facilement opérable.





Le point d'exclamation à l'intérieur d'un triangle équilatéral a pour fonction d'alerter l'utilisateur de la présence d'instructions importantes pour le bon fonctionnement et l'entretien (maintenance) dans la documentation fournie avec l'appareil.

Remarque: Veuillez suivre les instructions qui s'affichent à l'écran en ce qui concerne l'activation des fonctionnalités connexes.








Veillez lire complètement ces consignes avant d'installer ou d'utiliser.

⚠ AVERTISSEMENT: Ne jamais permettre aux personnes (y compris les enfants) souffrant de déficiences physiques, sensorielles ou mentales et / ou manquant de connaissances appropriées, d'utiliser un appareil électrique sans être encadrées par une autre personne responsable de leur sécurité!

- Pour la ventilation, laissez un espace d'au moins 10 cm autour du poste.
- **N'obstruez pas** les trous de ventilation.
- **Évitez** de placer le téléviseur sur des pentes ou surfaces instable, car il pourrait basculer.
- Utilisez cet appareil sous des climats modérés.
- Le cordon d'alimentation doit être facilement accessible. **Évitez** de placer le téléviseur ou le coffre, etc. sur le cordon d'alimentation. Un cordon/prise de raccordement endommagé peut causer un incendie ou vous infliger une décharge électrique. Tenez le cordon d'alimentation par la prise, et, **évitez** de débrancher le téléviseur en tirant le cordon d'alimentation. Ne touchez jamais le cordon/la prise d'alimentation avec des mains humides, car cela pourrait causer un court-circuit ou une commotion électrique. Ne faites jamais de nœud au niveau du cordon d'alimentation, et ne le liez pas à d'autres cordes. Si le cordon d'alimentation est endommagé, il doit être remplacé par un technicien qualifié. **N'utilisez pas** cette TV dans un environnement humide ou mouillé. N'exposez pas la TV aux liquides. Si un liquide se déverse à l'intérieur du poste, débranchez-la TV et faites-la vérifier par un personnel qualifié avant de continuer à l'utiliser.
- **N'exposez pas** le téléviseur directement à la lumière solaire ou à des sources de chaleur 
- L'appareil ne doit pas être placé à côté des flammes nues ou à proximité des sources de grande chaleur à l'instar d'un radiateur.
- Une pression sonore excessive provenant des écouteurs et du casque peut provoquer une perte auditive.
- Assurez-vous qu'aucune source de flamme vive, telles que des bougies allumées, n'est placée sur le téléviseur. 
- Pour éviter toute blessure, le téléviseur doit être solidement fixé au mûr conformément aux instructions d'installation (si l'option est disponible).

- Occasionnellement, quelques pixels non actifs peuvent apparaître à l'écran comme un point fixe bleu, vert ou rouge. Veuillez noter que ceci n'affecte pas les performances de votre appareil. veuillez à ne pas rayer l'écran avec les ongles ou autres objets durs.
- Avant de nettoyer, débranchez le poste TV de la prise murale. Nettoyez la TV avec un tissu doux et sec.

 Avertissement	Risque de blessure grave ou de mort
 R i s q u e d'électrocution.	Risque de tension dangereuse
 Attention	Risque de blessure ou de dommage matériel
 Important !	Bon fonctionnement du système
 Attention	Notes supplémentaires relevées

Mise en route

Notifications & Caractéristiques & Accessoires

Informations à caractère environnemental

Ce téléviseur est conçu pour consommer moins d'énergie afin de protéger l'environnement. Pour réduire effectivement votre consommation électrique, vous devez suivre les étapes ci-après :

Si vous réglez le mode d'économie d'énergie à **Eco**, la TV va passer en mode d'économie d'énergie. Le mode d'économie d'énergie se trouve au niveau du sous menu 'Image' dans le menu principal. Sachez que les réglages de certaines images ne pourront pas être accessibles pour modification.

Si l'option Image désactivée est sélectionnée, le message **"l'écran s'éteindra dans 15 secondes"** s'affichera à l'écran. Sélectionnez l'option **POURSUIVRE** et appuyez sur **OK** pour continuer. L'écran va immédiatement s'éteindre.

Veuillez mettre le téléviseur hors tension et le débrancher du secteur lorsque vous ne vous en servez pas. Cette bonne pratique vous permet aussi d'économiser de l'énergie.

Notifications de veille

1. Lorsque le téléviseur ne reçoit aucun signal d'entrée (par exemple une antenne ou une source HDMI) pendant 5 minutes, il passe en veille. Au prochain démarrage, le message suivant s'affichera : **"Mode veille en cas d'absence de signal"** Appuyez sur **OK** pour continuer.
2. Lorsque le téléviseur est resté inactif pendant 4 heures, il passe en mode veille. Au prochain démarrage, le message suivant s'affichera : **"Mode veille en cas d'absence de signal"** Appuyez sur **OK** pour continuer.

Fonctions

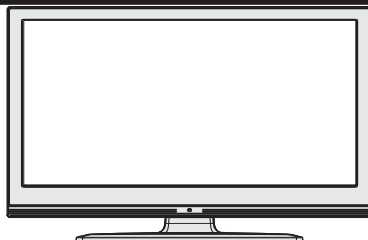
- Ecran de couleur contrôlé à distance.
- TV numérique (DVB-T).
- Les entrées HDMI sont réservées à un périphérique doté d'une prise HDMI.
- Entrée USB.
- Menu de paramétrage OSD.
- Prise péritel pour appareils externes (appareil vidéo, jeu vidéo, appareil audio, etc.)
- Système de son stéréo.
- Télétexte.
- Branchement du casque
- Système d'auto programmation.
- Réglage manuel.
- L'arrêt automatique après plus de six heures de temps.

- Arrêt programmé.
- Verrouillage parental.
- Coupure du son automatique quand il n'y a aucune transmission.
- Lecture NTSC.
- AVL (Limitation Automatique du Volume)
- PLL (Recherche de Fréquence).
- Entrée PC.
- Plug&Play (branchement et utilisation instantanée) pour Windows 98, ME, 2000, XP, Vista.
- Mode Jeux (en option).

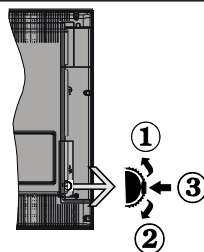
Accessoires inclus.

- Télécommande
- Batteries : 2 x AAA
- Manuel d'utilisation

Boutons de commande du téléviseur



le bouton de contrôle & Fonctionnement de TV



1. Direction précédente
2. Direction suivante
3. Programme/Volume / AV / Veille sur commande de sélection

Le commutateur vous permet de contrôler les fonctions de volume/Programme/Source et activation du mode veille de votre téléviseur.

Pour ajuster le volume: Augmentez le volume en appuyant sur le bouton Haut. Diminuez le volume en appuyant sur le bouton Bas.

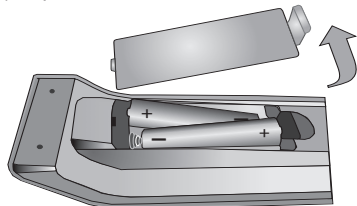
Pour changer de chaîne: Appuyer sur la partie centrale du bouton pour faire apparaître à l'écran les informations sur la canal. Parcourez les chaînes mémorisées en appuyant sur le bouton Haut ou Bas.

Pour modifier la source: Appuyer deux fois sur la partie centrale du bouton pour faire apparaître à l'écran la liste de sources. Parcourez les sources disponibles en appuyant sur le bouton Haut ou Bas.

Pour éteindre le téléviseur : Appuyez au milieu du bouton Bas et maintenez-le enfoncé pendant quelques secondes jusqu'à ce que le téléviseur passe en mode Veille.

Insertion des piles dans la télécommande

Soulever le couvercle situé à l'arrière de la télécommande. Insérer deux piles **AAA**. S'assurer que les extrémités + et - des piles correspondent dans le compartiment de piles (respecter la bonne polarité). replacer le couvercle de la télécommande.

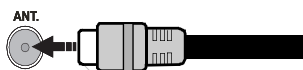


Branchez le câble d'alimentation

IMPORTANT: Le téléviseur a été conçu uniquement pour fonctionner avec une prise de **220-240V AC, 50 Hz** Après avoir retiré la TV de l'emballage, attendez un moment pour que la TV atteigne la température ambiante avant de brancher la TV à la prise de courant. Branchez le câble d'alimentation à la prise secteur.

Branchement de l'antenne

Branchez l'antenne ou à la prise d'ENTRÉE DE L'ANTENNE (ANT) située à l'arrière de la TV.



Notification

Fabriqué sous licence de Dolby Laboratories.

RECONNAISSANCE DE MARQUE COMMERCIALE

“Dolby” et le symbole du double D sont des marques commerciales de Dolby Laboratories.



HDMI, le logo de HDMI et l'Interface des médias multiples de haute définition sont des appellations ou des appellations enregistrées de HDMI Licensing LLC.



Informations applicables aux utilisateurs concernant la mise au rebut de l'ancien appareil et des piles

[Seulement Union européenne]

Ce symbole indique que l'équipement ne doit pas être éliminé comme un déchet domestique. Si vous devez éliminer le poste ou les piles, veuillez considérer les systèmes ou infrastructures de collecte pour un recyclage approprié.

Remarque: Le signe Pb qui se trouve au dessus des piles indique que la batterie en question concerne du plomb.

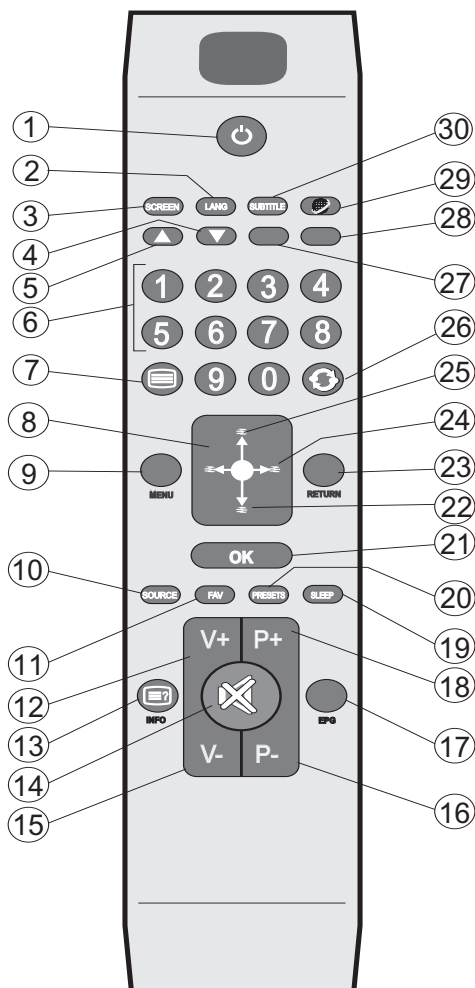


Batterie

Produits


Détails techniques

Emission TV	VHF (BAND I/III) - UHF (BAND U) - HYPERBAND
Chaînes réceptrives	1000
Nombre de chaînes prédéfinies	Affichage à l'écran
Indicateur de chaîne (Channel Indicator)	75 Ohms (Non équilibré)
Entrée d'antenne RF	220-240V AC, 50Hz.
Voltage de fonctionnement	Allemand+Nicam Stéréo
Audio	German+Nicam Stereo
PUISSANCE DE SORTIE AUDIO (WRMS.) (10% THD)	2 x 2,5
Consommation d'énergie	35 W
Poids	2,90
TV Dimensions DxLxH (with foot)	134 x 451 x 331
TV Dimensions DxLxH (without foot)	35 x 451 x 296
Humidité et température de fonctionnement :	de 5°C à 45°C, 85% d'humidité

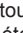









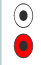
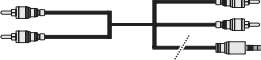







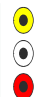






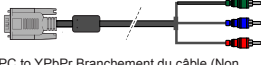
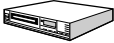


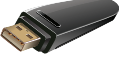



1. Veille
2. Mono-stéréo / Dual I-II / Langue courante
3. Taille de l'image
4. Touche verte
5. Touche rouge
6. Touches numériques
7. Télétexte / Mix
8. Touche directionnelle gauche
9. Menu marche/arrêt
10. Source / AV
11. Mode de sélection préféré
12. Hausser le Volume
13. Info / Afficher (en mode TXT)
14. Muet
15. Baisser le volume
16. Programme suivant / Page précédente
17. Guide électronique de programmes (EPG)
18. Programme haut / Page suivante
19. Minuteur de mise en veille
20. Sélection du mode Image
21. OK / Sélectionner / Pause (en mode TXT) / Liste des chaînes
22. Curseur vers le bas
23. Retour / Page d'index (en mode TXT)
24. Curseur droit / Sous-page (en mode TXT)
25. Curseur vers le haut
26. Programme précédent
27. Touche jaune
28. Touche bleue
29. Aucune fonction
30. Sous-titrage activé-désactivé /Sous-titrage (le menu « Navigateur Média)

Télétexte

Appuyez sur la touche  pour entrer. Appuyez à nouveau pour activer le mode Mélanger. Appuyez une nouvelle fois pour quitter. Suivre les instructions affichées à l'écran télétexte numérique.

Télétexte numérique (Réservé au RU)

Appuyez sur la touche  pour afficher les informations relatives au télétexte numérique. Utilisez les touches colorées, les touches du curseur et la touche **OK**. La méthode de fonctionnement peut différer selon le contenu du télétexte numérique. Suivre les instructions affichées à l'écran télétexte numérique. Quand le bouton  est pressé, la TV revient à la diffusion télévisée.

Connecteur	Type	Câbles	Appareil
	Péritel Branchement (arrière)		
	VGA Branchement (arrière)		
AV SUR CÔTÉ 	PC/YPbPr Audio Branchement (côté)	 Audio Câble de connexion YPbPr (Non fourni)	
	HDMI Branchement (arrière)		
SPDIF 	SPDIF Branchement (arrière)		
AV SUR CÔTÉ 	AV latéral Audio / Vidéo Branchement (côté)	 (Non fourni)	
CASQUE 	Casque Branchement (côté)		
	YPbPr Video Branchement (arrière)	 PC to YPbPr Branchement du câble (Non fourni)	
USB 	USB Branchement (côté)		
	CI Branchement (côté)		

REMARQUE: Quand vous branchez un périphérique via l'entrée AV latérale, vous devez utiliser le branchement des câbles pour activer la connexion Voir l'illustration ci-dessus | Vous pouvez utiliser un câble YPbPr à VGA (non fourni) pour activer le signal YPbPr via l'entrée du VGA. | Vous ne saurez utiliser le VGA et le YPbPr de façon interchangeable. | Pour activer audio PC, vous devrez utiliser Les entrées rouges et blanches du câble pour prise AV latérale fourni | Si un périphérique externe est branché à l'aide des prises PÉRITEL, le téléviseur passe automatiquement en mode AV. | Pendant la réception des chaînes DTV (Mpeg 4 H. 264) ou en mode Navigateur multimédia, la sortie ne sera pas disponible à travers la prise péritel. | Lorsque vous utilisez le kit de montage mural fourni, Il est recommandé de brancher tous vos câbles à l'arrière du téléviseur avant tout montage mural. | Insérez ou effacez le module CI uniquement lorsque le téléviseur est ETEINT. Consultez le manuel d'instructions du module pour plus d'informations sur les réglages.

Installation initiale- Connexions USB

Mise sous/hors tension

Mise sous tension du téléviseur

Branchez le cordon d'alimentation à une prise de 220-240V AC, 50 Hz.

Pour allumer le téléviseur à partir du mode veille, vous pouvez soit :

Presser le bouton "⏻", **P+/P-** ou un bouton numérique sur la télécommande.

Appuyez le commutateur de la fonction côté jusqu'à ce que la TV passe en mode de veille.

Éteindre le téléviseur

Appuyez sur le bouton "⏻" de la télécommande ou sur le commutateur de la fonction de cotés jusqu'à ce que la TV passe en mode de veille.

Pour éteindre complètement le téléviseur, débranchez le cordon d'alimentation de la prise secteur.

Remarque: Lorsque le téléviseur est en mode veille, le voyant lumineux du mode veille clignote pour signifier que des options comme Recherche en mode veille, téléchargement automatique ou Minuterie sont actives. La DEL peut également clignoter lorsque vous allumez le téléviseur à partir du mode de veille.

Première installation

Lorsque le téléviseur est mis en marche pour la première fois, le menu pour la sélection de la langue apparaît. Sélectionnez la langue de votre choix et appuyez sur OK.

L'écran d'installation initiale (FTI) s'affiche lors de la première installation. Réglez vos préférences en utilisant les boutons de navigation. Lorsque vous aurez terminé, appuyez sur OK pour continuer.

Vous pouvez activer le **mode de mémorisation** dans le menu "Autres paramètres" et les fonctionnalités de votre téléviseur s'afficheront dans la partie supérieure de l'écran. Une boîte de dialogue de confirmation s'affiche. Sélectionnez **OUI** pour continuer.


Si le mode Domicile est sélectionné, le mode de Mémorisation ne sera plus disponible après la première installation. Appuyez sur la touche **OK** pour continuer.

Le code PIN par défaut peut changer en fonction du pays sélectionné.

Si un code PIN est exigé pour afficher une option du menu, entrez l'un des codes suivants : 4725. 0000 ou 1234.

Installation de l'antenne

Si vous sélectionnez l'option **ANTENNE** à partir de l'écran **Type de recherche** la télévision numérique recherchera les diffusions terrestres numériques.

 **REMARQUE:** Vous pouvez appuyer sur la touche **MENU** pour annuler.

Une fois toutes les stations disponibles enregistrées, la liste des chaînes s'affichera à l'écran. Si les chaînes retrouvées vous intéressent, en fonction du LCN(*), veuillez sélectionner Oui, puis appuyez sur **OK**.

Appuyez sur le bouton **MENU** pour quitter la liste des chaînes et regarder la télé.

(*) LCN Système de numéro de chaîne logique qui organise les diffusions disponibles conformément à la séquence de chaîne reconnaissable (si disponible).

Lecture de média via entrée USB

Vous pouvez connecter des disques durs externes de 2,5" et 3,5"pouces (disques durs avec câble d'alimentation externe) ou une carte mémoire à votre TV via les entrées USB de votre TV.







IMPORTANT ! Sauvegardez vos fichiers avant d'effectuer tout branchement à la TV. Veuillez remarquer que la responsabilité du fabricant ne saurait être engagée en cas de dommage de fichier ou de perte de données. Certains types de périphériques USB (à l'exemple des lecteurs MP3) ou des lecteurs de disque dur/cartes mémoires USB peuvent être incompatibles avec ce téléviseur.

Pendant le formatage d'un disque dur USB d'une capacité de 1TO (Tera Octet), il peut arriver que vous soyez confronté à certains problèmes au cours du processus de formatage. Évitez de brancher et de débrancher le lecteur avec une certaine rapidité. Ceci peut physiquement endommager le lecteur USB et surtout le périphérique USB lui-même. Ne jamais enlever l'USB durant la lecture d'un fichier.

Menu Navigateur média

Vous pouvez lire les fichiers de photo, de musique, et de film stockés sur un disque USB en connectant ce dernier à votre téléviseur. Branchez un disque USB à l'une des entrées USB située sur le côté du téléviseur. En appuyant le bouton **MENU** lorsque vous êtes encore en mode navigateur média, vous aurez accès aux options d'image, de son et menus de réglage. En appuyant une fois de plus sur le bouton **MENU** l'écran disparaîtra. Vous pouvez régler les préférences de votre navigateur média via votre menu de réglages.

Fonctionnement du mode Aléatoire/Boucle

Démarrez la lecture avec  et activez 	Le téléviseur lit le fichier suivant et boucle la liste.
Démarrez la lecture avec  et activez 	le même fichier sera lu dans une boucle (répété).
Démarrez la lecture avec OK/  et activez 	le fichier sera lu de manière aléatoire.

Contenu du menu Image	
Mode	Vous pouvez modifier le mode d'image selon vos préférences ou exigences. Le mode Image peut être réglé sur l'une de ces options: Cinéma , Jeu , Dynamique et Naturel .
Contraste	Règle les valeurs de l'éclairage et de l'obscurité de l'écran.
Luminosité	Règle la valeur de luminosité de l'écran.
Netteté	Définit la valeur de netteté des objets affichés à l'écran.
Couleur	Règle la valeur de la couleur, règle les couleurs.
Mode Économie d'énergie	Définir le mode Economie d'énergie sur Eco, Image Désactivée, et Désactivé. (Lorsque le mode est dynamique, l'économie d'énergie est automatiquement désactivé.)
Rétro éclairage (en option)	Ce paramètre contrôle le niveau de rétro éclairage. La fonction de rétro éclairage sera inactive si le mode Économie d'énergie est réglé sur Éco. Le mode rétro éclairage ne peut être activé en mode VGA, mode Navigateur multimédia ou lorsque le mode Image est défini sur Jeu.
Réduction du bruit	Si le signal de diffusion est faible et que l'image est bruyante, utilisez la fonctionnalité réduction du bruit pour réduire l'intensité du bruit.
Paramètres avancés	
Contraste dynamique	Vous pouvez régler le rapport de contraste dynamique à votre guise.
Température de couleur	Règle le ton de la couleur désirée.
Zoom image	Régalez la taille des images dans le menu de zoom des images. <i>Remarque: Auto (Disponible uniquement en mode Scart avec SCART PIN8 commutateur tension élevée/faible)</i>
HDMI True Black	Lorsque vous regardez le téléviseur à partir de la source HDMI, cette option est visible dans le menu Paramètres de l'image. Vous pouvez utiliser cette option pour renforcer la noirceur de l'image.
Mode Film	Les films sont enregistrés à un nombre d'images par seconde différent des programmes de télévision normaux. Activez cette fonction lorsque vous regardez des films afin de mieux visualiser les images accélérées.
Couleur de peau	La fonction skin tone peut être modifiée entre -5 et 5.
Changer de couleur	Règle le ton de la couleur désirée.
Gain RGB	Vous pouvez configurer les valeurs de la température de couleur à l'aide de la fonctionnalité Gain RGB.
Réinitialiser	Réinitialise les paramètres d'image aux valeurs par défaut.(sauf en mode Jeu)
Autoposition (en mode PC)	Optimise automatiquement l'affichage. Appuyez sur OK pour optimiser.
Position H (en mode PC)	Cette rubrique change l'image horizontalement vers le côté droit ou gauche de l'écran.
Position V (en mode PC)	Cet élément déplace l'image verticalement vers le haut ou le bas de l'écran.
Fréquence pilote (en mode PC)	Les réglages de la fréquence pilote corrigent les interférences qui apparaissent comme des lignes verticales dans l'image pour des présentations telles que les feuilles de calcul, les paragraphes ou les textes dans des polices plus petites.
Phase (en mode PC)	Selon la résolution et la fréquence de balayage que vous saisissez pour le téléviseur, vous pouvez voir une image voilée ou bruitée à l'écran. Dans un tel cas vous pouvez utiliser cet élément pour obtenir une image claire par essais et erreurs.
<i>En mode VGA (PC), certains éléments du menu Image seront indisponibles. Au contraire, les paramètres du mode VGA seront ajoutés aux paramètres Image en mode PC.</i>	

Contenu du menu Son	
Volume	Ajuste le niveau du volume.
Égaliseur	Sélectionne le mode égaliseur Les paramètres personnalisés ne peuvent être actifs que lorsque vous êtes en mode utilisateur.
Balance	Ce paramètre s'utilise pour accentuer la balance des haut-parleurs gauche ou droit.
Casque	Règle le volume du casque.
Mode Son	Vous pouvez sélectionner un mode de son. (Si la chaîne sélectionnée supporte).
AVL (Limitation Automatique du Volume)	Cette fonction règle le son pour obtenir le niveau de sortie prévue entre les programmes.
Sortie Digitale	Règle le type de sortie audio numérique.
Contenu du menu Réglages	
Accès conditionnel	Contrôle les modules d'accès conditionnel lorsqu'ils sont disponibles.
Langue	Configure les paramètres linguistiques (-peuvent varier en fonction du pays sélectionné). Les paramètres préférés et ceux en cours seront disponibles. Les réglages en cours ne peuvent être modifiés que si le diffuseur les prend en charge.
Parental	Entrez le mot de passe correct pour modifier les réglages du contrôle parental. Vous pouvez facilement régler le verrouillage du menu, le contrôle parental (peut varier en fonction du pays sélectionné) à partir de ce menu. Vous pouvez également entrer un nouveau code pin.
Minuteries	Définit la minuterie sommeil pour éteindre le téléviseur après un certain temps. Règle les minuteries des programmes sélectionnés.
Date/Heure	Sélection de la date et de l'heure.
Sources	Active ou désactive les options sources sélectionnées.
Autres réglages: Affiche les autres options de réglage du téléviseur :	
Temporisation du menu	Change la durée de temporisation des écrans de menu.
Recherche chaînes codées	Lorsque ce paramètre est ACTIVÉ, le processus de recherche localisera également les chaînes cryptées.
Fond bleu	Active ou désactive le système du fond bleu quand le signal est faible ou absent.
Mise à jour du logiciel	Pour garantir que votre TV dispose toujours d'informations actualisées.
Version de l'application:	Affiche Version de l'application.
Malentendant	Active toute fonctionnalité spéciale envoyé par le diffuseur.
Description Audio	La description audio renvoie à une piste de narration supplémentaire réservée aux déficients visuels et malentendants. Vous ne pouvez utiliser cette option que si le diffuseur la prend en charge. <i>Remarque: La fonctionnalité de description audio du son ne peut pas être disponible lors de l'enregistrement ou quand on est en mode décalage temporel.</i>

Options et fonctions du menu TV

Mise hors tension automatique du téléviseur	Vous pouvez définir la valeur de temporisation de l'option de mise hors tension automatique du téléviseur. Après avoir atteint la valeur de temporisation, si le téléviseur ne fonctionne pas suivant l'heure sélectionnée, il passera en mode de veille.
Recherche en mode Veille (en option)	Si l'option Recherche en mode de veille est définie sur Activé, lorsque le téléviseur est en mode de veille, les chaînes disponibles seront recherchées. Si le téléviseur trouve des chaînes manquantes ou nouvelles, un écran de menu s'affichera, vous demandant si vous souhaitez appliquer ou non ces changements. La liste des chaînes sera mise à jour et modifiée après ce processus.
Mode Magasin	Si vous regardez la télévision dans un magasin, vous pouvez activer ce mode. Whilst Store Lorsque ce mode est activé, certains éléments du menu de la TV ne peuvent pas être disponibles.
Allumer le mode	Ce paramètre permet de configurer les préférences du mode de mise sous tension.
Installation et Réglage Le Contenu du Menu	
Balayage de chaîne automatique (Nouveau réglage) (si disponible)	Affiche les options de réglage automatique. Antenne numérique : Recherche et enregistre les chaînes DVB. Analogique : Recherche et mémorise les stations analogiques. Antenne analogique et numérique : Recherche et enregistre les chaînes DVB et analogiques .
Balayage de chaîne manuel	Cette fonction peut être utilisée pour une entrée de diffusion directe.
Recherche des chaînes réseau	Recherche les chaînes liées dans le système de diffusion.
Réglage fin (analogique)	Vous pouvez utiliser ce réglage pour la recherche fine de chaînes analogiques. Cette option est disponible uniquement si des chaînes analogiques sont mémorisées.
Première installation	Supprime toutes les chaînes et réglages enregistrées, reprogramme la TV en fonction des réglages de l'entreprise.

Fonctionnement général de la TV

Utilisation de la liste de chaînes

Le téléviseur trie toutes les stations mémorisées dans la liste des chaînes. Vous pouvez modifier cette liste de chaînes, configurer les favoris ou les stations actives à inclure dans la liste en utilisant les options Liste de chaînes.

Configuration des paramètres parentaux

Pour éviter que certains programmes soient regardés, des chaînes et des menus peuvent être verrouillés grâce au système de contrôle parental.

Pour afficher les options du menu de verrouillage, saisissez le code PIN. Par défaut, ce code est réglé en usine à **0000**. Après avoir saisi le code PIN approprié, le menu Paramètres parentaux s'affichera :

Verrouillage Menu: L'option Verrouillage Menu active ou désactive l'accès au menu.

Verrouillage Maturité: Après installation, cette option recherche l'information relative aux émissions parentales et si ce niveau parental a été inactivé, l'accès à la diffusion n'est pas activé.


Verrouillage parental: Lorsque l'option Verrouillage Parental est sélectionnée, le téléviseur peut uniquement être contrôlé à l'aide de la télécommande. Dans ce cas, les boutons du panneau de contrôle ne fonctionneront pas.

Paramétrage du code PIN: Définit un nouveau code PIN.

Le code PIN par défaut peut changer en fonction du pays sélectionné.

Si un code PIN est exigé pour afficher une option du menu, entrez l'un des codes suivants : 4725, 0000 ou 1234.

Guide électronique de programmes (EPG)



Certaines chaînes, mais pas toutes, affichent des informations portant sur l'émission en cours et l'émission suivante. Appuyez sur le bouton  pour accéder au menu EPG.


Touche rouge (Jour précédent) affiche les programmes du jour précédent.

Touche verte (Jour suivant): affiche les programmes du jour suivant.

Touche jaune (Zoom): Affiche davantage d'informations concernant le programme.

Touche bleue (Filtre) : Affiche les options de filtre.

 : Appuyez sur la touche  pour voir le menu du genre sélectionné. En utilisant cette fonctionnalité vous pouvez interroger la base de données du guide de programme selon le genre sélectionné. Les informations disponibles dans le guide des programmes seront recherchées et les résultats correspondants à vos critères seront listés.

 : Affiche des informations détaillées sur le programme sélectionné.

Boutons numériques (Sauter): aller directement à la chaîne préférée via des boutons numériques.

OK : Affiche les options de répétition.

Texte (Chercher): Affiche le menu "**Guide Search**" (Recherche guide).

SWAP(Maintenant) : Affiche le programme en cours.

Mise à jour du logiciel

Votre TV peut grâce à l'antenne ou au câble rechercher et effectuer les mises à jour.

Recherche de mise à jour de logiciels à travers l'interface utilisateur

Parcourez simplement le menu principal. Choisissez **Paramètres** et sélectionnez le menu **Autres paramètres**. Dans le menu **Autres paramètres**, sélectionnez l'élément **Mise à jour de logiciel** et appuyez sur le bouton **OK** pour ouvrir le menu Options de mise à jour

3 Recherche et mode de mise à jour

Lorsque la TV reçoit le signal de l'antenne. Si l'option Recherche automatique du menu Options de mise à jour est active, le téléviseur se met automatiquement en marche à 3 heures du matin et lance la recherche de chaînes de diffusion pour la mise à jour du nouveau logiciel. Si un nouveau logiciel est trouvé et téléchargé avec succès, le téléviseur commence à fonctionner avec la nouvelle version du logiciel au prochain démarrage.

Remarque: Si la TV ne s'allume pas après la mise à jour, débranchez la pour 2 minutes avant de la débrancher.

Dépannage et astuces

La TV va s'allumer

Veillez à ce que le câble d'alimentation soit branché en toute sécurité dans la prise murale. Les piles qui se trouvent dans la télécommande peuvent être déchargées. Appuyez sur l'interrupteur du téléviseur ou

Mauvaise qualité d'image

- Avez-vous sélectionné le système de TV approprié ?
- Un niveau de signal faible peut impacter négativement sur la qualité de l'image. Veuillez vérifier l'entrée de l'antenne.
- Si vous avez effectué un réglage manuel, vérifiez que vous avez entré la bonne fréquence de la chaîne
- La qualité d'image peut se dégrader lorsque deux périphériques sont connectés au téléviseur en même temps. Dans un tel cas, déconnectez l'un des appareils.

Pas d'image

- Aucune image signifie que votre téléviseur ne reçoit aucune transmission. Avez-vous appuyé sur les boutons appropriés de la télécommande? Essayez une nouvelle fois. Assurez-vous également que la bonne source d'entrée a été sélectionnée.
- Est-ce que l'antenne est correctement branchée ?
- Est-ce que le câble d'antenne est endommagé ?
- Les fiches appropriées sont-elles utilisées pour brancher l'antenne?
- En cas d'incertitudes, veuillez contacter votre fournisseur.

Pas de son

- Est-ce que le téléviseur est réglé pour couper le son? Pour annuler la coupure de son, appuyez sur le bouton "X", ou augmenter le volume.
- Le son sort d'un seul haut-parleur. Est-ce que la balance est à l'extrémité d'une direction ? Consultez le menu Son.

La télécommande - ne fonctionne pas

- Les piles peuvent être déchargées. Remplacez les piles.

Les sources d'entrée - ne peuvent pas être sélectionnées.

- Si vous ne pouvez sélectionner aucune source d'entrée, il est possible qu'aucun périphérique ne soit connecté.
- Vérifiez les câbles AV et les branchements si vous avez essayé de brancher un appareil.

Modes d'affichage typiques d'une entrée de PC

Le tableau ci-après est une illustration de quelques modes d'affichage vidéo typiques. Votre téléviseur ne peut pas prendre en charge toutes les résolutions. Votre téléviseur prend en charge jusqu'à 1920x1080.

Index	Resolution	Frequency
1	1024x768	60 Hz
2	1280x768	60 Hz
3	1360x768	60 Hz
4	800x600	56 Hz
5	800x600	60 Hz
6	1024x768	60 Hz
7	1024x768	66 Hz
8	1280x768	60 Hz
9	1360x768	60 Hz
10	1280x1024	60 Hz
11	1280x960	60 Hz
12	1280x1024	60 Hz
13	1400x1050	60 Hz
14	1600x1200	60 Hz
15	1920x1080	60 Hz

Compatibilité des signaux AV et HDMI

Source	Signaux pris en charge		Disponible
EXT SCART	PAL 50/60		O
	NTSC 60		O
	RGB 50		O
	RGB 60		O
AV latéral	PAL 50/60		O
	NTSC 60		O
PC/YPBPR	480i, 480P	60Hz	O
	576i, 576P	50Hz	O
	720P	50Hz 0,60Hz	O
	1080i	50Hz 0,60Hz	O
	1080P	50Hz 0,60Hz	O
HDMI1	480i	60Hz	O
	480P	60Hz	O
	576i, 576P	50Hz	O
	720P	50Hz 0,60Hz	O
	1080i	50Hz 0,60Hz	O
	1080P	24Hz, 25Hz 30Hz, 50Hz, 60Hz	O

(X: Non disponible, O: Disponible)

Dans certains cas, un signal sur l'écran du téléviseur peut ne pas s'afficher correctement. Le problème peut être une incompatibilité avec les normes de l'équipement source (DVD, décodeur, etc.). Si vous rencontrez un tel problème, veuillez contacter votre fournisseur et le fabricant de l'appareil source.

Formats de fichier pris en charge pour le mode USB

Média	Extension de fichier	Format		Remarques (Résolution maximale/Débit binaire, etc.)
		Vidéo	Audio	
Film	mpg, mpeg	MPEG1, MPEG2		MPEG1 : 768x576 @30P MPEG2 :1920x1080 @ 30P
	vob	MPEG2		1920x1080 @ 30P
	mp4	MPEG4, Xvid , H.264		
	mkv	H.264, MPEG4,VC-1		
	avi	MPEG2, MPEG4, Xvid , H.264		
	flv	H.264/VP6/Sorenson		H.264/VP6:1920x1080 @ 30P Sorenson: 352x288 @30P
	3gp	MPEG4, H.264		1920x1080 @ 30P
Musique	.mp3	-	MPEG 1 Layer 1 / 2 (MP3)	32Kbps ~ 320Kbps(Débit binaire)32K, 44.1k, 48k Hz,16K, 22.05K, 24K Hz,8K, 11.025K, 12K Hz(Taux d'échantillonnage) max WxH = 17000x10000
Photo	.jpg .jpeg	JPEG de base	-	4147200octets max WxH = 4000x4000
	.	JPEG Progressif	-	3840000octets
	.bmp	-	-	max WxH = 9600x6400 3840000octets
Sous-titre	.sub .srt	-	-	-

Inhoudsopgave

Veiligheidsinformatie.....	26
Meldingen & Kenmerken & Accessoires.....	28
Functies.....	28
Bedieningstoetsen op de TV.....	28
Hoe te beginnen.....	28
Stroom aansluiten.....	29
Afstandbediening.....	30
Aansluitingen.....	31
Mediabrowser menu.....	33
TV menukenmerken en functies.....	34
Algemene tv-bediening.....	37
Het gebruik van de zenderlijst.....	37
Ouderlijk toezicht instellingen configureren.....	37
Elektronische zendergids (EZG).....	37
Uaktualnienie oprogramowania.....	38
Probleemoplossen & tips.....	38
PC-invoer normale weergavemodi.....	39
Ondersteunde bestandsformaten voor de USB- modus.....	39
AV en HDMI- signaal compatibiliteit.....	39

Veiligheidsinformatie

	LET OP! RISICO OP ELEKTRISCHE SCHOKKEN NIET OPENEN	
LET OP: OM HET RISICO OP ELEKTRISCHE SCHOKKEN TE BEPERKEN, MAG U HET DEKSEL NIET VERWIJDEREN (OF HET ACHTERPANEEL). BINNENIN BEVINDEN ZICH GEEN ONDERDELEN DIE DOOR DE GEBRUIKER BEDIEND KUNNEN WORDEN. LAAT ONDERHOUD EN REPARATIES OVER AAN BEVOEGD ONDERHOUDSPERSONEEL.		

Uw LCD TV in extreme milieu omstandigheden te bedienen, kan leiden tot schade aan het apparaat.



Bij bliksem of storm, of als de tv gedurende een langere periode niet zal worden gebruikt (bijv. als u op vakantie vertrekt), moet u de stekker van de tv uit het stopcontact verwijderen. De stekker dient om het tv-toestel los te koppelen van het elektriciteitsnet en moet daarom gemakkelijk te bedienen zijn.



Het uitroepteken in een gelijke driehoek dient om de gebruiker te wijzen op de aanwezigheid van belangrijke bedienings- en onderhoudsinstructies in de begeleidende documentatie van het apparaat.

Note : Volg de instructies op het scherm om de betrokken functies te bedienen.





BELANGRIJK – Lees deze instructies volledig voor u de TV installeert en in gebruik neemt



WAARSCHUWING: Laat nooit personen (inclusief kinderen) met fysieke, gevoelsmatige of mentale zwakheden of met gebrek aan ervaring en / of kennis het elektrische apparaat gebruiken zonder toezicht!

- Voor een correcte ventilatie moet u minimum 10 cm vrije ruimte laten rond het toestel.
- **Blokkeer** de ventilatieopeningen niet.
- **Plaats** de tv niet op een hellende of onstabiele oppervlakte. De tv zou kunnen kantelen.
- Gebruik dit apparaat in een gematigd klimaat.
- De stekker van het netsnoer moet gemakkelijk bereikbaar zijn. **Plaats** het toestel, een meubelstuk of andere objecten niet op het netsnoer. Een beschadigd snoer/stekker kan brand veroorzaken of een elektrische schok veroorzaken. Neem het netsnoer beet bij de stekker en verwijder de stekker **niet** uit het stopcontact door aan het snoer te trekken. Raak het netsnoer/de stekker nooit aan met natte handen want dit kan kortsluitingen of elektrische schokken veroorzaken. Leg geen knopen in het snoer of bind het niet samen met andere snoeren. Indien beschadigd, moet het worden vervangen. Dit moet worden uitgevoerd door deskundig personeel. **Gebruik de tv niet** in een vochtige locatie. Stel de tv niet bloot aan vloeistoffen. Indien een vloeistof in de kast terecht komt, koppel de TV los en laat het door bekwame vakmensen nakijken alvorens opnieuw in gebruik te nemen.
- **Stel de tv niet bloot** aan direct zonlicht of andere warmtebronnen. 
- De set mag niet in de nabijheid van open vlammen en intense hitte, zoals een elektrische verwarmder, geplaatst worden.
- Overmatige geluidsdruk van een hoofdtelefoon kan gehoorverlies veroorzaken.
- Zorg ervoor dat er geen open vlambronnen, zoals aangestoken kaarsen, op het tv-toestel worden geplaatst. 
- Om het risico op letsels te voorkomen, moet deze tv stevig bevestigd zijn aan de muur volgens de installatierichtlijnen (indien deze optie beschikbaar is).
- Het is mogelijk dat een aantal inactieve pixels als een onbeweeglijk blauw, groen of rood punt op het scherm verschijnen. Dit heeft dit geen invloed op de prestaties van uw toestel. Zorg ervoor het scherm niet te krassen met vingernagels of andere harde voorwerpen.

- Voor u het toestel schoonmaakt, moet u de stekker van de tv uit het stopcontact verwijderen. Gebruik een zachte en droge doek bij het reinigen.

 Waarschuwing	Risico op ernstige letsels of fatale gevolgen
 Risico op elektrische schokken	Risico op gevaarlijke spanningen
 Opgelet	Risico op letsels of schade aan eigendom
 Belangrijk	Het systeem correct bedienen
 Opgelet	Bijkomende aantekeningen gemarkeerd

Meldingen & Kenmerken & Accessoires

Milieu-informatie

Deze televisie is ontworpen om minder energie te verbruiken om het milieu te besparen. Om het energieverbruik te verlagen, kunt u de volgende stappen uitvoeren:

Als u de Power Save modus instelt op **Eco** schakelt de tv over op de energiebesparing modus. De Power Save modus instellingen staan vermeld in de "Beeld" sectie van het hoofdmenu. Merk op dat bepaalde beeldinstellingen niet kunnen worden gewijzigd.

Als **Beeld uit** geselecteerd is, verschijnt het bericht "Scherm schakelt uit in 3 seconden." op het scherm. Selecteer **DOORGAAN** en druk op **OK** om door te gaan. Het scherm schakelt onmiddellijk uit.

Als de TV niet in gebruik is, moet u de tv uitschakelen of verwijderen uit het stopcontact. Dit vermindert het energieverbruik.

Stand-by meldingen

1. Als tv geen ingangssignaal ontvangt (bijv. van een antenne of HDMI-bron) gedurende 5 minuten schakelt de tv op stand-by. Wanneer u de tv de volgende maal inschakelt, verschijnt het volgende bericht: "**Stand-by oorzaak geen signaal**" Druk op **OK** om door te gaan.
2. Als de tv ingeschakeld is gebleven en gedurende een poosje niet heeft gewerkt, schakelt de tv over op stand-by. Wanneer u de tv de volgende maal inschakelt, verschijnt het volgende bericht. "**Stand-by oorzaak geen werking**" Druk op **OK** om door te gaan.

Functies

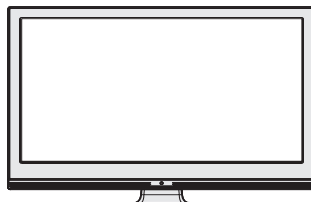
- Kleuren-tv met afstandsbediening.
- Volledig geïntegreerde digitale/kabel TV (DVB-T/C)
- HDMI Invoeren dienen om te verbinden met een toestel dat een HDMI-aansluiting heeft.
- USB-ingang.
- Instelmenu op scherm (On-screen Display).
- Scart aansluiting voor externe apparaten (zoals DVD-spelers, PVR, videospelletjes, audioset, etc.).
- Stereo geluidssysteem.
- Teletekst.
- Aansluiting voor hoofdtelefoon.
- Automatisch programmeersysteem.
- Manuele afstemming.
- Automatische uitschakeling na zes uur.
- Slaap timer
- Kinderslot.

- Automatische geluidsdemping indien geen uitzending.
- NTSC-weergave.
- AVL (Automatische volumebegrenzing).
- PLL (frequentie zoeken).
- Pc-ingang.
- Plug&Play voor Windows 98, ME, 2000, XP, Vista, windows 7.
- Spelmodus (optioneel).

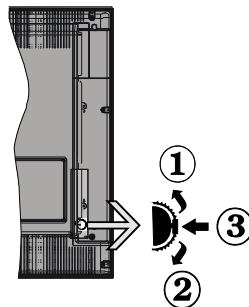
Accessoires inbegrepen

- Afstandbediening
- Batterijen: 2 X AAA
- Gebruikshandleiding

Bedieningsstoetsen op de TV



TV bedieningsknoppen & bewerking



1. Omhoog
2. Omlaag
3. Zender/Volume / AV / Stand-by-Aan selectieschakelaar

De bedieningsstoets biedt u de mogelijkheid het Volume/Programma/Bron en de Stand-by aan functies te bedienen van de tv.

Volume wijzigen: Verhoog het volume door de knop in te drukken. Verlaag het volume door de knop neer te drukken.

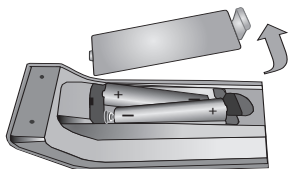
Zenders wijzigen: Druk in het midden van de knop en het kanaal informatievaandel verschijnt op het scherm. Blader doorheen de opgeslagen zenders door de knop omhoog of omlaag te drukken

De bron wijzigen: Druk twee maal in het midden van de knop en de bronlijst verschijnt op het scherm. Blader doorheen de beschikbare bronnen door de knop omhoog of omlaag te drukken

Om de TV uit te schakelen: Druk de middelste knop in en houd hem ingedrukt gedurende een aantal seconden. De TV schakelt over op de stand-by modus.

De batterijen aanbrengen in de afstandsbediening

Til het deksel omhoog aan de achterkant van de afstandsbediening. Installeer twee **AAA** batterijen. Zorg ervoor dat de + en – uiteinden van de batterijen in het batterijcompartiment overeenstemmen (observeer de correcte polariteit). Breng het deksel opnieuw aan.

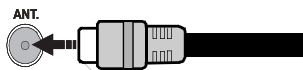


Stroom aansluiten

BELANGRIJK: Het tv-toestel is ontworpen voor een stopcontact met een vermogen van **220-240V AC, 50 Hz**. Laat na het uitpakken het tv- toestel op kamertemperatuur komen voor u het op de netstroom schakelt. Steek het netsnoer in het stopcontact.

Antenne/Kabel aansluitingen

Sluit de antenne of de kabel TV stekker aan op de ANTENNE INPUT (ANT) aan de achterzijde van de TV.



Melding

Geproduceerd onder licentie door Dolby Laboratories.

ERKENNING VAN HANDELSMERK

"Dolby" en het dubbele-D symbool zijn handelsmerken van de Dolby Laboratories.



"HDMI, het HDMI™ logo en de High-Definition Multimedia Interface zijn handelsmerken of geregistreerde handelsmerken van HDMI™ Licensing LLC."



Informatie voor de gebruiker betreffende het wegwerpen van oude apparatuur en batterijen

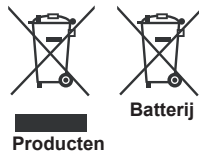
[Enkel Europese Unie]

Deze symbolen geven aan dat apparatuur met deze symbolen niet weggeruimd mogen worden als

algemeen huishoudelijk afval. Als u het product of de batterij wilt wegruimen, moet u de ophaalsystemen of faciliteiten overwegen voor een correcte recyclage.

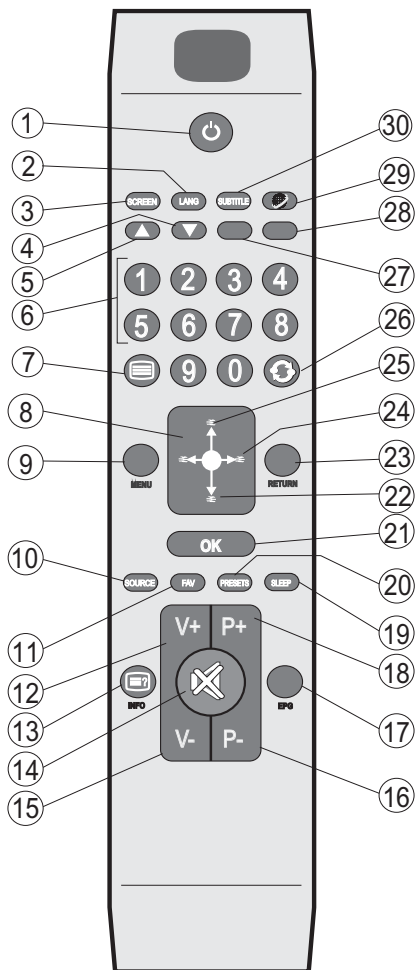
Opgelet: Het Pb-symbool onder het symbool voor de batterijen geeft aan

dat deze batterij lood bevat



Specificaties

TV-UITZENDING	PAL B/G D/K K
Kanalen ontvangen	VHF (BAND I/III) - UHF (BAND U) - HYPERBAND
Aantal instelbare kanalen	1000
Kanaalindicator	Menu Weergave op het scherm.
RF Antenne-Input	75 ohm (niet gebalanceerd)
Werkingsspanning	220-240V Wisselstroom, 50Hz.
Audio	Duits+Nicam Stereo
Geluidsuitgang stroom (WRMS.) (10% THD)	2 x 2,5
Stroomverbruik	35 W
Gewicht	2,90
TV afmetingen BxLxH (met voet)	134 x 451 x 331
TV afmetingen BxLxH (zonder voet)	35 x 451 x 296
Operationele temperatuur en operationele vochtigheid	5°C tot 45°C, 85% rel. Vochtigheid max.



1. Stand-by
2. Mono / Stereo - Dual I-II / Huidige taal
3. Opnamegrootte
4. Groene toets
5. Rode toets
6. Numerieke toetsen
7. Teletekst / Mengen
8. Cursor links
9. Menu Aan/Uit
10. AV / Bron
11. Favorietmodus
12. Volume hoger
13. Info / Weergeven (in TXT-modus)
14. Geluid dempen
15. Volume lager
16. Programma omlaag / Programma omhoog
17. Elektronische zendergids (EZG)
18. Programma omhoog / Pagina omlaag
19. Slaap timer
20. Beeldmodus selectie
21. OK/ Selectie/ Houden (in Tkst-modus) / Kanaallijst
22. Cursor omlaag
23. Terugkeren / Indexpagina (in TXT-modus)
24. Cursor rechts / Subpagina (in TXT-modus)
25. Cursor omhoog
26. Vorig programma
27. Gele toets
28. Blauwe toets
29. Geen functie
30. Ondertiteling aan-uit/ondertiteling (in mediabrowser)

Teletekst


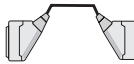
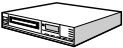



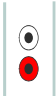




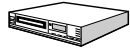



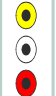







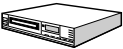


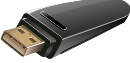
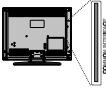


Druk op de **TXT** toets voor toegang. Druk opnieuw om de mix-modus in te schakelen. Druk opnieuw om af te sluiten. Volg de instructies op het digitale teletekstscherf.

Digitale teletekst (** uitsluitend voor het VK)

Druk op de **TXT** toets om de digitale teletekstinformatie weer te geven. U kunt dit menu bedienen met de gekleurde toetsen, cursor toetsen en de **OK** toets. De bedieningsmethode kan verschillen afhankelijk van de inhoud van de digitale teletekst. Volg de instructies op het digitale teletekstscherf. Wanneer de **"TXT"** toets ingedrukt wordt, keert de TV terug naar de televisie uitzending.

Hoe te beginnen

Aansluitingen

Connector	Type	Kabels	Apparaat
	Scart Verbindingen (achterzijde)		
	VGA Verbindingen (achterzijde)		
ZIJDE AV 	PC/YPbPr Audio Verbindingen (zijde)	 Zijde Audio YPbPr verbindingskabel (Nietgeleverd)	
	HDMI Verbindingen (achterzijde)		
 SPDIF	SPDIF Verbindingen (achterzijde)		
ZIJDE AV 	Zijde AV Geluid/Video Verbindingen (zijde)	 (Niet geleverd)	
 KOPTELEFOON	Koptelefoon Verbindingen (zijde)		
	YPbPr video Verbindingen (achterzijde)	 PbPr verbindingskabel (Niet geleverd)	
	USB Verbindingen (zijde)		
	CI Verbindingen (zijde)		

OPMERKING: Indien u een apparaat aansluit via de YPbPr of Zijde AV ingang moet u de geleverde verbindingskabels gebruiken om een verbinding in te schakelen. Raadpleeg de illustraties hierboven. | U kunt YPbPr naar VGA kabel (niet geleverd) gebruiken om het YPbPr signaal in te schakelen via VGA ingang. | U kunt geen VGA en YPbPr gelijktijdig gebruiken. | Om PC audio in te schakelen, moet u de WITTE & RODE ingangen gebruiken van de geleverde ZIJDE AV VERBINDING kabel. | Indien een extern apparaat verbonden is via de SCART-aansluiting schakelt de TV automatisch op de AV-modus. | Als u DTV-zenders ontvangt (Mpeg4 H.264) of in de Mediabrowser modus is de uitgang niet beschikbaar via de scartaansluiting. | Wanneer u de wandmontage kit (optioneel) gebruikt, raden we aan alle kabels in de achterzijde van de tv te steken voor u het toestel monteert op de wand. | Verwijder of voeg de CI module enkel in wanneer de tv UITGESCHAKELD is. Voor details over de instellingen raadpleegt u de handleiding van de module.

Hoe te beginnen

Eerste installatie - USB-aansluiting

In-/uitschakelen

De tv inschakelen

Sluit het netsnoer aan op 220-240V AC wisselstroom 50 Hz.

Om de tv in te schakelen vanuit stand-by-modus, doet u het volgende:

Druk op de "⏻" toets, **P+** / **P-** of een numeriek toets van de afstandsbediening.

Druk op de zijdelingse functieschakelaar tot de tv inschakelt van stand-by.

De tv uitschakelen

Druk op de "⏻" knop op de afstandsbediening of druk op de zijdelingse functieschakelaar tot de tv inschakelt van de stand-by modus.

Om de tv volledig uit te schakelen, trekt u de stekker van de tv uit het stopcontact.

Opmerking: Wanneer de tv in stand-by-modus staat, knippert het stand-byindicatorlampje om aan te geven dat functies zoals 'Stand-by zoeken', 'Downloaden over de ether' of 'Timer' actief zijn. De LED-indicator kan ook knipperen wanneer u de TV overschakelt van de stand-by modus.

Eerste ingebruikneming

Indien ingeschakeld voor de eerste maal verschijnt het "taalselectie" scherm. Selecteer de gewenste taal en druk op OK.

Het Eerste installatie (FTI) verschijnt op het scherm. Stel uw voorkeuren in met de navigatieknoppen en klik daarna op OK om door te gaan.

Als de **Winkelmodus** geselecteerd is, is de Winkelmodus beschikbaar in het andere instellingen menu en de functies van uw tv worden weergegeven bovenin het scherm. Een bevestiging verschijnt. Druk op **YES** om door te gaan.


Als Thuismodus geselecteerd is, is de Opslagmodus niet beschikbaar na de eerste installatie. Druk op **OK** om door te gaan.

De standaard PIN-code kan wijzigen naargelang het geselecteerde land.

Als u wordt gevraagd een PIN-code in te voeren om een menu-optie kunt u een van de volgende codes gebruiken: 4725, 0000 of 1234.

Installatie van de antenne

Als u de **ANTENNE**optie selecteert in **Zoektype** scherm zoekt de televisie digitale aardse televisie-uitzendingen.

 **OPMERKING:** Om te annuleren, drukt u op de **MENU**-knop.

Nadat alle kanalen zijn opgeslagen, verschijnt een zenderlijst op het scherm. Als u de zenders wilt sorteren volgens de LCN(*) selecteert u "Ja" en daarna drukt u op **OK**.

Druk op de **MENU**knop om de kanalenlijst te verlaten en tv te kijken.

(*) LCN is het Logical Channel Number systeem (logisch kanaalnummer) dat de beschikbare uitzendingen organiseert op basis van een herkenbare zendervolgorde.

Installatie van de kabel

Als u de **KABEL** optie selecteert en druk op **OK** op de afstandsbediening. Om door te gaan, selecteer **JA** en druk op **OK**. Om de bewerking te annuleren, selecteer nee en druk op **OK**. In dit scherm kunt u een frequentiebereik selecteren.

Voer het frequentiebereik handmatig in met de numerieke toetsen.

Opmerking: De duur van de zoekopdracht hangt af van de geselecteerde zoekstap.






Media afspelen via USB-ingang

U kunt een 2.5" en 3.5" inch (hdd met externe voeding) externe harde schijven of USB geheugensticks aansluiten op uw tv via de USB ingangen van de tv.

BELANGRIJK! Maak een backup van uw bestanden voor u aansluitingen uitvoert op de tv. De fabrikant is niet aansprakelijk is voor eventuele schade aan bestanden of gegevensverlies. Sommige types USB-apparaten (bv. MP3-spelers) of USB-harde schijven/geheugensticks zijn mogelijk niet compatibel met deze tv. Bij de formattering van een USB harde schijf van 1 TB (Tera Byte) of meer vermogen kunt u problemen ondervinden tijdens de formatteerprocedure. Steek de USB-driver er niet snel en herhaaldelijk in en uit. Dit kan materiële schade veroorzaken aan de USB-speler en in het bijzonder aan het USB-apparaat zelf. Verwijder de USB-module niet tijdens de weergave van een bestand.

Mediabrowser menu

U kunt foto's, muziek en filmbestanden afspelen die opgeslagen zijn op een USB-schijf door ze aan te sluiten op uw tv. Sluit een USB schijf aan op een van de USB ingangen op de zijkant van de tv. Druk op de **MENU** knop in de Media Browser modus voor toegang tot de foto, geluid en instellingen menu opties. Druk opnieuw op de **MENU** knop om dit scherm af te sluiten. U kunt uw mediabrowser voorkeuren instellen met het Instellingen menu.

<i>Lus/Willekeurige weergave bediening</i>	
U kunt de weergave starten met  en 	De tv speelt het volgende bestand af en speelt de lijst in een lus weer.
U kunt de weergave starten met OK en inschakelen 	hetzelfde bestand wordt in een lus afgespeeld (herhalen).
U kunt de weergave starten met  en 	het bestand wordt afgespeeld in willekeurige volgorde.

Beeldmenu inhoud	
Modus	U kunt de beeldmodus wijzigen naargelang uw voorkeuren of vereisten. De beeldmodus kan worden ingesteld op een van deze opties: Cinema , Spel , Dynamisch en Natuurlijk .
Contrast	Om het contrast tussen donker en licht van het scherm in te stellen.
Helderheid	Om de helderheid van het scherm in te stellen.
Scherpte	Om de scherpte van de objecten op het scherm in te stellen.
Kleur	Om de kleurwaarden in te stellen
Power Save modus	Om de Power Save modus in te stellen als Eco, Beeld uit en Uitgeschakeld. (Als de modus ingesteld is op Dynamisch wordt de Power Save modus automatisch uitgeschakeld).
Achtergrond (optioneel):	Deze instelling bestuurt de achtergrondverlichting. De achtergrondverlichting functie is niet actief wanneer de Power Save modus ingeschakeld is op Eco. De achtergrondverlichting mag niet ingeschakeld zijn in de VGA of mediabrowser modus of wanneer de beeldmodus ingesteld is op Spel.
Geluid Reductie	Indien het uitzendesignaal zwak is en het beeld ruis bevat, kunt u de Ruisreductie instelling gebruiken om de hoeveelheid ruis te onderdrukken.
Geavanceerde instellingen	
Dynamisch contrast	U kunt de Dynamische contrastverhouding instellen op de gewenste waarde.
Kleurtemp	Om de kleurtoon in te stellen.
Beeld scherpstellen	Stelt de gewenste beeldgrootte in op basis van het beeldzoom menu. <i>Opmerking: Automatisch (Enkel beschikbaar in Scartmodus met SCART PIN8 hoogspanning/ laagspanning omschakeling)</i>
Filmmodus	Films worden aan een ander aantal frames per seconde opgenomen dan normale televisieprogramma's. Schakel deze functie aan wanneer u films bekijkt om de snel bewegende scènes duidelijk weer te geven.
Huidtoon	De huidtoon kan worden gewijzigd tussen -5 en 5.
Kleurverschuiving	De gewenste kleurtoon aanpassen.
RGB verhoging	U kunt de kleurtemperatuurwaarden configureren met de RGB verhoging functie.
Reset	Om het beeldformaat terug op de fabrieksmatige standaardinstelling te zetten. (Behalve Spelmodus)
Automatisch positioneren (in PC mode)	Optimaliseert het scherm automatisch. Druk op OK om te selecteren.
H positie (in PC-modus)	Dit item verschuift het beeld horizontaal naar de rechter of linkerzijde van het scherm.
V positie (in PC-modus)	Dit item verschuift het beeld verticaal naar de boven of onderzijde van het scherm.
Pixelrequentie (in PC-modus)	Dit corrigeert de storingen die zich voordoen als verticale banden in presentaties met een hoog aantal pixels zoals rekenbladen, paragrafen of tekst in kleinere lettertypen.
Fase (in PC mode)	Afhankelijk van de resolutie en de scanfrequentie die u instelt op het TV toestel kan een onzuiver beeld op het scherm verschijnen. In dat geval kunt u deze functie gebruiken om een zuiver beeld te ontvangen via de proefondervindelijke methode.
<i>In VGA (pc)-modus, zijn sommige opties in het menu Beeld niet beschikbaar. In plaats daarvan worden in pc-modus de VGA-modusinstellingen toegevoegd aan Beeldinstelling.</i>	

Geluidsmenu inhoud	
Volume	Past het volumeniveau aan.
Equalizer	Selecteert de equalizer modus. Aangepaste instellingen kunnen enkel in de gebruiker modus worden uitgevoerd.
Balans	Deze instelling wordt gebruikt om de linkse of rechtse luidspreker meer te benadrukken.
Koptelefoon	Stelt het geluidsvolume van de hoofdtelefoon in.
Geluidsmodus	U kunt een geluidsmodus selecteren. (als het geselecteerde kanaal dit ondersteunt).
AVL (Automatische volumebeperking)	Deze functie stelt het geluid in om een vast uitvoerniveau te bereiken tussen programma's.
Digitale uitgang:	Om het type van digitale audiouitgang in te stellen.
Instellingen Menu Inhoud	
Voorwaardelijke toegang	Bestuurt modules met voorwaardelijke toegang indien aanwezig.
Taal	Configureert de taalinstellingen (kan wijzigen naargelang het geselecteerde land). De Voorkeur en huidige instellingen zijn beschikbaar. Deze instellingen kunnen worden veranderd wanneer de uitzender dit ondersteunt.
Ouderlijk	Voer het correcte wachtwoord in om de ouderlijke instellingen te wijzigen. U kunt de menuvergrendeling, maturiteitsvergrendeling (kan wijzigen naargelang het geselecteerde land) en het kinderslot in dit menu eenvoudig aanpassen. U kunt ook een nieuw pin-nummer instellen.
Timers	Stelt de slaaptimer in om de tv uit te schakelen na een bepaalde periode. Stelt de timers in voor bepaalde programma's. (USB opname)
Datum/tijd:	Stelt datum en tijd in
Bronnen	Activeert of deactiveert bepaalde bronopties.
Andere instellingen: Geeft de andere instellopties voor het tv-toestel weer:	
Menu time-out	Om de time-out voor menuschermen te wijzigen.
Gecodeerde kanalen scannen	Wanneer deze instelling is ingeschakeld, zal het zoekproces ook de gecodeerde kanalen vinden.
Blauwe achtergrond	Activeert of deactiveert het blauweachtergrondstelsel wanneer het signaal zwak of niet aanwezig is.
Bijwerking van software	Om zeker te zijn dat uw TV steeds de meest recente firmware bevat.
Applicatie versie	Geeft de applicatie versie.
Hardhorenden	Schakelt iedere speciale functie in die wordt verzonden door de uitzender.
Geluid beschrijving	Audiobeschrijving verwijst naar een bijkomende verhaaltrack voor blinden en slechtziende kijkers van visuele media, inclusief televisie en films. U kunt deze functie gebruiken, enkel als de uitzender die bijkomende verhaaltracks ondersteunt. <i>Opmerking: Het is mogelijk dat de audio beschrijving geluidsfunctie niet beschikbaar is in de opname of time shifting modus.</i>
Auto tv uit	U kunt de time-out waarde instellen als automatisch uit. Wanneer de timeout waarde wordt bereikt en de Tv gedurende de geselecteerde tijdsduur niet wordt bediend, schakelt de tv over op de stand-by modus.

TV menukenmerken en functies

Stand-by Zoeken (optioneel)	Als Stand-by zoeken is ingesteld op Aan wanneer de TV in stand-by modus staat, worden de beschikbare uitzendingen gezocht. Als de TV nieuwe of ontbrekende uitzendingen vindt, verschijnt een scherm met de vraag of u deze wijzigingen al of niet wilt uitvoeren. De zenderlijst wordt bijgewerkt en gewijzigd na deze procedure.
Opslagmoduss	Als u de tv tentoonstelt in een winkel kunt u deze modus inschakelen. Wanneer de winkelmodus ingeschakeld is, is het mogelijk dat sommige items in het tv-menu onbeschikbaar zijn.
Inschakelmodus	Deze instelling configureert de inschakelmodus voorkeur.
Installeer de menu-inhoud en stem opnieuw af	
Automatische zenderscan (opnieuw afstemmen) (indien beschikbaar)	Geeft automatisch afstemmingsopties weer. Digitaal aards: Zoekt antenne DVB-zenders en slaat ze op. Digitale kabel: Zoekt kabel DVB-zenders en slaat ze op. Analoo: Zoekt analoge stations en slaagt ze op. Digitaal aards & analoo: Zoekt zowel analoge antenne DVB en analoge zenders en slaat ze op. Digitaal aards & analoo: Zoekt zowel analoge kabel DVB en analoge zenders en slaat ze op.
Handmatige kanaalscan	Deze functie kan worden gebruikt voor het opslagen van rechtstreekse uitzendingen.
Netwerk zenderscan	Zoekt de gekoppelde zenders in het uitzendsysteem.
Analoge fijnafstemmen	U kunt deze instelling gebruiken om analoge zenders fijn af te stemmen. Deze functie is niet beschikbaar indien er geen analoge zenders opgeslagen zijn.
Eerste ingebruikneming	Verwijdert alle opgeslagen zenders en instellingen, voert een reset uit van de tv naar de fabrieksinstellingen.

Algemene tv-bediening

Het gebruik van de zenderlijst

Het tv-toestel sorteert alle opgeslagen zenders in een zenderlijst. Aan de hand van de opties van de zenderlijst, kunt u deze zenderlijst bewerken, uw favoriete kanalen instellen of de actieve kanalen selecteren die u wenst op te nemen in de lijst.

Ouderlijk toezicht instellingen configureren

Om te vermijden dat bepaalde programma's toegankelijk zouden zijn, kunnen bepaalde kanalen en menu worden vergrendeld aan de hand van het besturingssysteem voor ouderlijk toezicht.

Om de menuopties voor ouderlijk toezicht weer te geven, dient u een pin-nummer in te voeren. Het standaard PIN-nummer ingesteld in de fabriek is **0000**. Als u het correcte pin-nummer invoert, verschijnt het ouderlijke instellingenmenu.

Blokada menu: Deze functie vergrendelt of ontgrendelt de toegang tot het menu.

Volwassenen vergrendeling: Als dit ingesteld is, wordt informatie over leeftijdsbeperking ingewonnen bij de zender, en indien het desbetreffende leeftijdsniveau is uitgeschakeld, worden het beeld en het geluid niet weergegeven.

Kinderslot: Als het kinderslot is ingesteld, kan de TV enkel worden bediend met de afstandsbediening. In dat geval werken de toetsen van het configuratiepaneel niet.

PIN instellen: Om een nieuw pin-nummer vast te leggen.

De standaard PIN-code kan wijzigen naargelang het geselecteerde land.

*Als u wordt gevraagd een PIN-code in te voeren om een menu-optie kunt u een van de volgende codes gebruiken: **4725, 0000 of 1234.***

Elektronische zendergids (EZG)

Een aantal, maar niet alle, zenders versturen informatie over de huidige en volgende programma's. Druk op de **GUIDE** toets om het EPG menu weer te geven.

Rode toets (Vorige dag): Geeft de programma's weer van de vorige dag.

Groene toets (Volgende dag): Geeft de programma's weer van de volgende dag.

Gele toets (Zoom): Breidt de zenderinformatie uit.

Blauwe toets (Filter): Geeft filteropties weer.


ONDERT: Druk op de **ONDERT** toets om het Genre selecteren menu weer te geven. Gebruik deze functie om de zendergids databank te doorzoeken in overeenstemming met het genre. De beschikbare informatie in de programmagids wordt doorzocht en de resultaten die overeenstemmen met uw criteria verschijnen in een lijst.

INFO: Geeft in detail informatie weer van het geselecteerde programma.

Numerieke toetsen (Springen): Springt naar de voorkeuzender rechtstreeks via de numerieke toetsen.

OK: Geeft zenderopties weer.

Tekst (Zoeken): Geeft "Gids zoeken" menu weer.

 **(Nu) :** Geeft de huidige zender weer.

Bijwerking van software

Uw tv kan automatisch zoeken en bijwerken via het Antenne/Kabel signaal.

Software upgrade zoeken via gebruikersinterface

Navigeer eenvoudig naar uw hoofdmenu. Selecteer **Instellingen** en selecteer **Overige instellingen** menu. In het **Overige instellingen** menu navigeert u naar het **Software upgrade** item en u drukt op de **OK** toets om te controleren of er een nieuwe software upgrade beschikbaar is.

3) AM zoeken en upgrade modus

Wanneer de tv aangesloten is op een antennesignaal. Als Automatisch scannen is ingeschakeld in het Upgrade opties menu schakelt de TV in om 03:00 en zoek zenders voor een nieuwe software upgrade. Indien nieuwe software wordt gevonden en gedownload, opent de TV de volgende maal met de nieuwe software versie.

***Opmerking:** Als de tv niet inschakelt na de upgrade moet u de stekker van de tv 2 minuten uit het stopcontact verwijderen en opnieuw invoeren.*

Probleemoplossen & tips

De tv schakelt niet in

Zorg ervoor dat het netsnoer stevig in het stopcontact is gevoerd. Het is mogelijk dat de batterijen in de afstandsbediening leeg zijn. Druk op de powerknop van de Tv.

Zwakke beeldkwaliteit

- Hebt u het verkeerde tv-systeem geselecteerd?
- Een laag signaalniveau kan een beeldvervorming veroorzaken. Controleer de antennetoegang.
- Controleer of u de correcte kanaalfrequentie hebt ingevoerd als u een handmatige afstemming hebt uitgevoerd.
- De beeldkwaliteit kan verminderen wanneer twee randapparaten gelijktijdig aangesloten zijn op de tv. In dat geval kunt u en van beide apparaten loskoppelen.

Geen beeld

- Geen beeld betekent dat uw TV geen uitzending ontvangt. Hebt u de juiste knoppen van de

afstandsbediening geselecteerd? Probeer het opnieuw. Zorg er ook voor dat de correcte invoerbron geselecteerd werd.

- Is de antenne correct aangesloten?
- Is de antennekabel beschadigd?
- Werden de correcte stekkers gebruikt voor de aansluiting van de antenne?
- Indien u twijfelt, neemt u contact op met de verdeler.

Geen geluid

- Werd het geluid van de TV gedempt? Om het geluid dempen te annuleren, drukt u op de "M" knop of u verhoogt het volume.
- Het geluid komt slechts uit één van de luidsprekers. Is de balans ingesteld op en uiteinde? Raadpleeg het Geluidsmenu.

Afstandsbediening – werkt niet

- Het is mogelijk dat de batterijen leeg zijn. Batterijen vervangen.

Invoerbronnen – kunnen niet worden geselecteerd

- Indien u geen invoerbronnen kunt selecteren, is het mogelijk dat het toestel niet is aangesloten. zo niet
- Controleer de AV-kabels en verbindingen als u geprobeerd hebt een toestel aan te sluiten.

PC-invoer normale weergavemodi

Onderstaande tabel is een illustratie van een aantal van de normale video schermmodi. Het is mogelijk dat uw TV niet alle resoluties ondersteunt. Uw TV ondersteunt tot 1920x1080.

Inhoudsopgave	Resolutie	Frequentie
3	1024x768	60 Hz
4	1280x768	60 Hz
5	1360x768	60 Hz
7	800x600	56 Hz
8	800x600	60 Hz
9	1024x768	60 Hz
10	1024x768	66 Hz
11	1280x768	60 Hz
12	1360x768	60 Hz
13	1280x1024	60 Hz
14	1280x960	60 Hz
15	1280x1024	60 Hz
16	1400x1050	60 Hz
17	1600x1200	60 Hz
18	1920x1080	60 Hz

AV en HDMI- signaal compatibiliteit

Bron	Ondersteunde signalen	Beschikbaar	
EXT (SCART)	PAL 50/60	O	
	NTSC 60	O	
	RGB 50	O	
	RGB 60	O	
Zijde AV	PAL 50/60	O	
	NTSC 60	O	
PC/ YPbPr	480I, 480P	60Hz	O
	576I, 576P	50Hz	O
	720P	50Hz, 60Hz	O
	1080I	50Hz, 60Hz	O
	1080P	50Hz, 60Hz	O
HDMI1	480I	60Hz	O
	480P	60Hz	O
	576I, 576P	50Hz	O
	720P	50Hz, 60Hz	O
	1080I	50Hz, 60Hz	O
	1080P	24Hz, 25Hz, 30Hz, 50Hz, 60Hz	O

(X: Niet beschikbaar, O: Beschikbaar)

In bepaalde gevallen kan een signaal op de tv incorrect worden weergegeven. Het probleem kan een onverenigbaarheid zijn met de standaarden van het brontoestel (DVD, set-top-box, etc.) Indien een dergelijk probleem zich voordoet, neemt u contact op met uw verdeler en de fabrikant van het bronmateriaal.

Ondersteunde bestandsformaten voor de USB-modus

Media	Bestandsextensie	Indeling		Opmerkingen (Maximum resolutie/Bitrate etc.)
		Video	Audio	
Film	mpg, mpeg	MPEG1, MPEG2		MPEG1: 768x576 @30P MPEG2:1920x1080 @ 30P
	vob	MPEG2		1920x1080 @ 30P
	mp4	MPEG4, Xvid , H.264		
	mkv	H.264, MPEG4, VC-1		
	avi	MPEG2, MPEG4, Xvid , H.264		
	flv	H.264/VP6/Sorenson		H.264/VP6:1920x1080 @ 30P Sorenson: 352x288 @30P
	3gp	MPEG4, H.264		1920x1080 @ 30P
wmv,asf	MPEG4 , VC-1		1920x1080 @ 30P	
Muziek	.mp3	-	MPEG 1 Layer 1 / 2 (MP3)	32Kbps ~ 320Kbps(Bit rate)32K, 44.1k, 48k Hz,16K, 22.05K, 24K Hz,8K, 11.025K, 12K Hz(Sampling rate)
Foto	.jpg .jpeg	Basislijn JPEG	-	max WxH = 17000x10000 4147200bytes
	.	Progressieve JPEG	-	max WxH = 4000x4000 3840000bytes
	.bmp	-	-	max WxH = 5760x4096 3840000bytes
Ondertiteling	.sub .srt	-	-	-

Productfiche	
Commercieel merk: SALORA	
Productnr.	10084858
Modelnr.	19LED8000T
Energie efficiëntie klasse	A
Zichtbare schermgrootte (diagonaal)	19 inches / 48 cm
Aan-modus gemiddeld stroomverbruik	18
Jaarlijks energieverbruik	26
Stand-by stroomverbruik	0,5W
Uit-modus stroomverbruik	0 W
Schermmresolutie	1366 x 768

Product fiche	
Comercial Brand: SALORA	
Product No.	10084858
Model No.	19LED8000T
Energy efficiency class	A
Visible screen size (diagonal)	19 inches / 48 cm
On mode average power consumption	18
Annual energy consumption	26
Standby power consumption	0,5W
Off mode power consumption	0 W
Display resolution	1366 x 768

Fiche du produit	
Marque commerciale : SALORA	
Produit N°	10084858
Modèle N°	19LED8000T
Classe d'efficacité énergétique	A
Taille d'écran visible (diagonale)	19 inches / 48 cm
Consommation énergétique moyenne en mode « marche »	18
Consommation énergétique annuelle	26
Consommation d'énergie en veille	0,5W
Consommation d'énergie en mode « arrêt »	0 W
Résolution de l'écran	1366 x 768



50248764