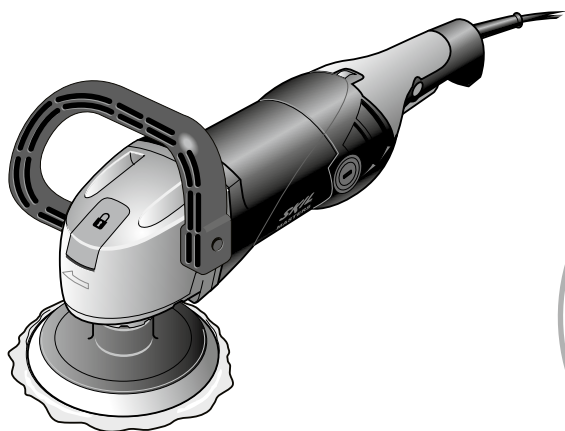


SKIL MASTERS

PROFESSIONAL POWER TOOLS

POLISHER
9955 (F0159955..)



GB	ORIGINAL INSTRUCTIONS	4	UA	ОРИГІНАЛЬНА ІНСТРУКЦІЯ З ЕКСПЛУАТАЦІЇ	75
F	NOTICE ORIGINALE	8	GR	ΠΡΩΤΟΤΥΠΟ ΟΔΗΓΙΩΝ ΧΡΗΣΗΣ	80
D	ORIGINALBETRIEBSANLEITUNG	12	RO	INSTRUCȚIUNI DE FOLOSIRE ORIGINALE	85
NL	ORIGINELE GEBRUIKSAANWIJZING	17	BG	ОРИГИНАЛНО РЪКОВОДСТВО ЗА ЕКСПЛОАТАЦИЯ	90
S	BRUKSANVISNING I ORIGINAL	22	SK	PŔOVODNÝ NÁVOD NA POUŽITIE	95
DK	ORIGINAL BRUGSANVISNING	26	HR	ORIGINALNE UPUTE ZA RAD	100
N	ORIGINAL BRUKSANVISNING	30	SRB	ORIGINALNO UPUTSTVO ZA RAD	104
FIN	ALKUPERÄISET OHJEET	34	SLO	IZVIRNA NAVODILA	108
E	MANUAL ORIGINAL	38	EST	ALGUPÄRANE KASUTUSJUHEND	112
P	MANUAL ORIGINAL	43	LV	ORIĢINĀLĀ LIETOŠANAS PAMĀCĪBA	116
I	ISTRUZIONI ORIGINALI	47	LT	ORIGINALI INSTRUKCIJA	121
H	EREDETI HASZNÁLATI UTASÍTÁS	52	MK	ИЗБОРНО УПАТСТВО ЗА РАБОТА	125
CZ	PŔVODNÍM NÁVODEM K POUŽÍVÁNÍ	57	AL	UDHËZIMET ORIGINALE	130
TR	ORİJİNAL İŞLETME TALİMATI	61	AR	دليل الاستعمال	141
PL	INSTRUKCJA ORYGINALNA	65	FA	راهنمای اصلی	138
RU	ПОДЛИННИК РУКОВОДСТВА ПО ЭКСПЛУАТАЦИИ	70			

www.skilmasters.com





1

9955


1300
Watt



EPTA 01/2003
2,9 kg


n
3000/min


n₀
600-
3000/min


M14


MAX.
Ø 180 mm

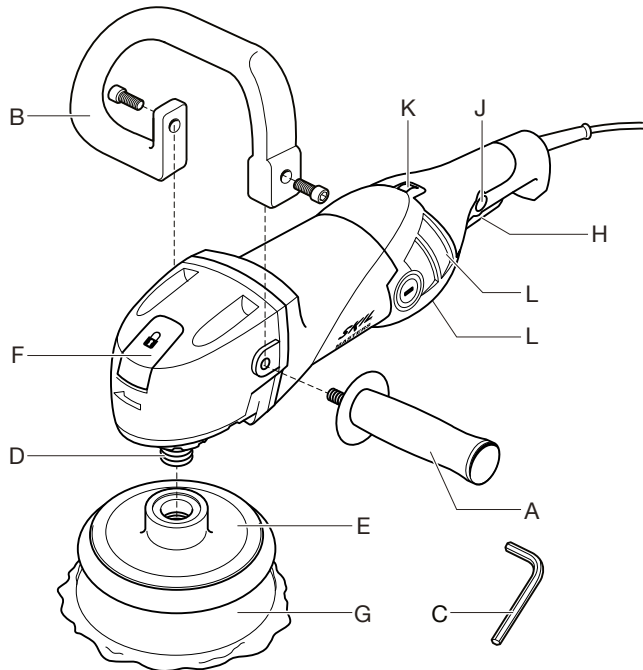

4m
RUBBER

220
240
V~
50-60 Hz

2

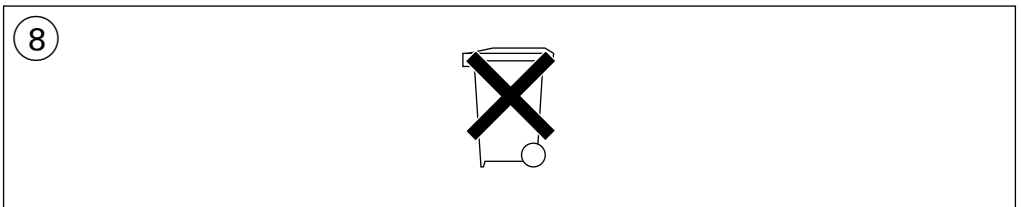
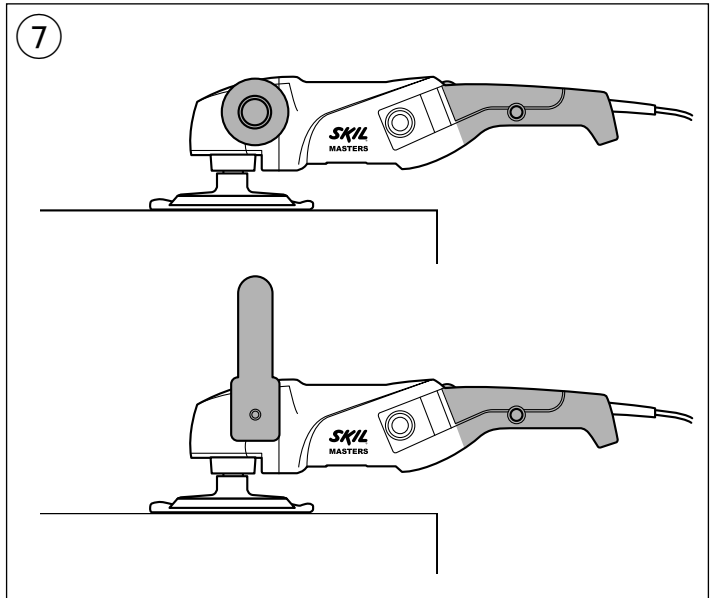
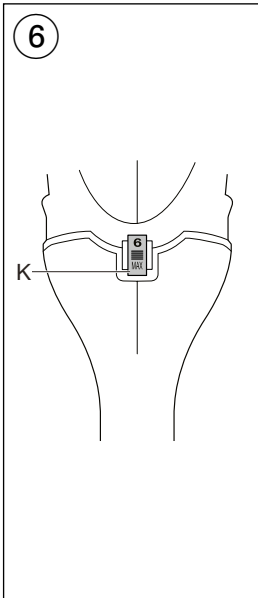
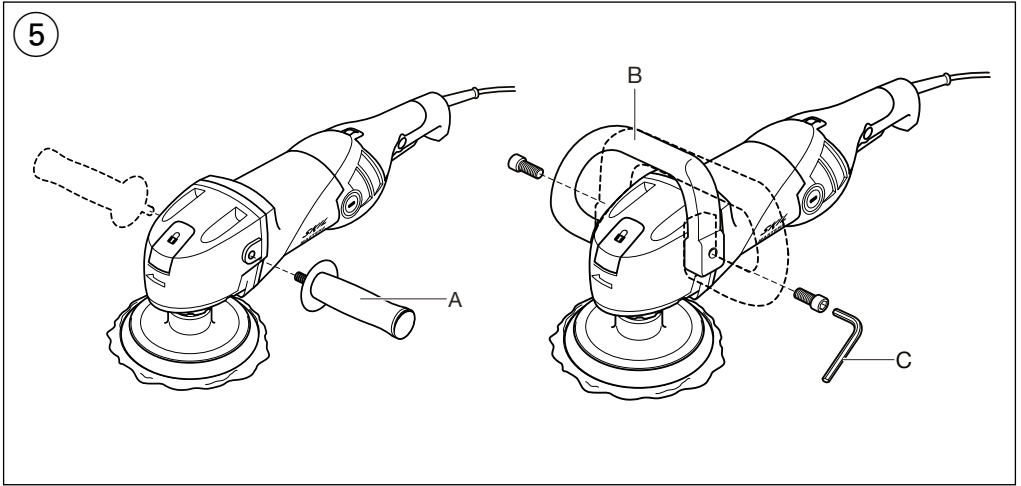


3



4





INTRODUCTION

- This tool is intended for polishing metal, plastic and coated surfaces as well as for the polishing of stone materials without the use of water
- Read and save this instruction manual ②

TECHNICAL DATA ①

TOOL ELEMENTS ③

- A Auxiliary handle
- B Auxiliary handle (type D)
- C Hex key
- D Spindle
- E Backing pad (VELCRO)
- F Spindle-lock button
- G Wool bonnet
- H On/off switch
- J Knob for locking on/off switch
- K Wheel for maximum speed control
- L Ventilation slots

SAFETY

GENERAL SAFETY INSTRUCTIONS

⚠ WARNING! Read all safety warnings and all instructions. Failure to follow the warnings and instructions may result in electric shock, fire and/or serious injury. **Save all warnings and instructions for future reference.** The term "power tool" in the warnings refers to your mains-operated (corded) power tool or battery-operated (cordless) power tool.

1) WORK AREA SAFETY

- a) **Keep work area clean and well lit.** Cluttered or dark areas invite accidents.
- b) **Do not operate power tools in explosive atmospheres, such as in the presence of flammable liquids, gases or dust.** Power tools create sparks which may ignite the dust or fumes.
- c) **Keep children and bystanders away while operating a power tool.** Distractions can cause you to lose control.

2) ELECTRICAL SAFETY

- a) **Power tool plugs must match the outlet. Never modify the plug in any way. Do not use any adapter plugs with earthed (grounded) power tools.** Unmodified plugs and matching outlets will reduce risk of electric shock.
- b) **Avoid body contact with earthed or grounded surfaces such as pipes, radiators, ranges and refrigerators.** There is an increased risk of electric shock if your body is earthed or grounded.
- c) **Do not expose power tools to rain or wet conditions.** Water entering a power tool will increase the risk of electric shock.

- d) **Do not abuse the cord. Never use the cord for carrying, pulling or unplugging the power tool. Keep cord away from heat, oil, sharp edges or moving parts.** Damaged or entangled cords increase the risk of electric shock.
- e) **When operating a power tool outdoors, use an extension cord suitable for outdoor use.** Use of a cord suitable for outdoor use reduces the risk of electric shock.
- f) **If operating a power tool in a damp location is unavoidable, use an earth leakage circuit breaker.** Use of an earth leakage circuit breaker reduces the risk of electric shock.

3) PERSONAL SAFETY

- a) **Stay alert, watch what you are doing and use common sense when operating a power tool. Do not use a power tool while you are tired or under the influence of drugs, alcohol or medication.** A moment of inattention while operating power tools may result in serious personal injury.
 - b) **Use personal protective equipment. Always wear eye protection.** Protective equipment such as dust mask, non-skid safety shoes, hard hat, or hearing protection used for appropriate conditions will reduce personal injuries.
 - c) **Prevent unintentional starting. Ensure the switch is in the off-position before connecting to power source and/or battery pack, picking up or carrying the tool.** Carrying power tools with your finger on the switch or energising power tools that have the switch on invites accidents.
 - d) **Remove any adjusting key or wrench before turning the power tool on.** A wrench or a key left attached to a rotating part of the power tool may result in personal injury.
 - e) **Do not overreach. Keep proper footing and balance at all times.** This enables better control of the power tool in unexpected situations.
 - f) **Dress properly. Do not wear loose clothing or jewelry. Keep your hair, clothing and gloves away from moving parts.** Loose clothes, jewelry or long hair can be caught in moving parts.
 - g) **If devices are provided for the connection of dust extraction and collection facilities, ensure these are connected and properly used.** Use of dust collection can reduce dust-related hazards.
- #### 4) POWER TOOL USE AND CARE
- a) **Do not force the power tool. Use the correct power tool for your application.** The correct power tool will do the job better and safer at the rate for which it was designed.
 - b) **Do not use the power tool if the switch does not turn it on and off.** Any power tool that cannot be controlled with the switch is dangerous and must be repaired.
 - c) **Disconnect the plug from the power source and/or the battery pack from the power tool before making any adjustments, changing accessories, or storing power tools.** Such preventive safety measures reduce the risk of starting the power tool accidentally.
 - d) **Store idle power tools out of the reach of children and do not allow persons unfamiliar with the power tool or these instructions to operate the power tool.**

Power tools are dangerous in the hands of untrained users.

- e) **Maintain power tools. Check for misalignment or binding of moving parts, breakage of parts and any other condition that may affect the power tool's operation. If damaged, have the power tool repaired before use.** Many accidents are caused by poorly maintained power tools.
 - f) **Keep cutting tools sharp and clean.** Properly maintained cutting tools with sharp cutting edges are less likely to bind and are easier to control.
 - g) **Use the power tool, accessories and tool bits etc., in accordance with these instructions, taking into account the working conditions and the work to be performed.** Use of the power tool for operations different from those intended could result in a hazardous situation.
- 5) **SERVICE**
- a) **Have your power tool serviced by a qualified repair person using only identical replacement parts.** This will ensure that the safety of the power tool is maintained.

SAFETY INSTRUCTIONS FOR POLISHERS

1) SAFETY INSTRUCTIONS FOR ALL OPERATIONS

- a) **This power tool is intended to function as a polisher. Read all safety warnings, instructions, illustrations and specifications provided with this power tool.** Failure to follow all instructions listed below may result in electric shock, fire and/or serious injury.
- b) **This power tool is not recommended for grinding, sanding, wire brushing or cutting off operations.** Operations for which the power tool was not designed may create a hazard and cause personal injury.
- c) **Do not allow any loose portion of the polishing bonnet or its attachment strings to spin freely. Tuck away or trim any loose attachment strings.** Loose and spinning attachment strings can entangle your fingers or snag on the workpiece.
- d) **Do not use accessories which are not specifically designed and recommended by the tool manufacturer.** Just because the accessory can be attached to your power tool, it does not assure safe operation.
- e) **The rated speed of the accessory must be at least equal to the maximum speed marked on the power tool.** Accessories running faster than their rated speed can fly apart.
- f) **The outside diameter and the thickness of your accessory must be within the capacity rating of your power tool.** Incorrectly sized accessories cannot be adequately guarded or controlled.
- g) **Threaded mounting of accessories must match the grinder spindle thread. For accessories mounted by flanges, the arbour hole of the accessory must fit the locating diameter of the flange.** Accessories that do not match the mounting hardware of the power tool will run out of balance, vibrate excessively and may cause loss of control.
- h) **Do not use a damaged accessory. Before each use inspect the accessory such as abrasive wheels for chips and cracks, backing pads for cracks, tear or excess wear, wire brushes for loose or cracked wires. If the power tool or accessory is dropped,**

inspect for damage or install an undamaged accessory. After inspecting and installing an accessory, position yourself and bystanders away from the plane of the rotating accessory and run the power tool at maximum no load speed for one minute. Damaged accessories will normally break apart during this test time.

- i) **Wear personal protective equipment ④. Depending on application, use face shield, safety goggles or safety glasses. As appropriate, wear dust mask, hearing protectors, gloves and shop apron capable of stopping small abrasive or workpiece fragments.**
The eye protection must be capable of stopping flying debris generated by various operations. The dust mask or respirator must be capable of filtering particles generated by your operation. Prolonged exposure to high intensity noise may cause hearing loss.
 - j) **Keep bystanders a safe distance away from work area. Anyone entering the work area must wear personal protective equipment.** Fragments of the workpiece or of a broken accessory may fly away and cause injury beyond the immediate area of operation.
 - k) **Position the cord clear of the spinning accessory.** If you lose control, the cord may be cut or snagged and your hand or arm may be pulled into the spinning accessory.
 - l) **Never lay the power tool down until the accessory has come to a complete stop.** The spinning accessory may grab the surface and pull the power tool out of your control.
 - m) **Do not run the power tool while carrying it at your side.** Accidental contact with the spinning accessory could snag your clothing, pulling the accessory into your body.
 - n) **Regularly clean the power tool's air vents.** The motor's fan will draw the dust inside the housing and excessive accumulation of powdered metal may cause electrical hazards.
 - o) **Do not operate the power tool near flammable materials.** Sparks could ignite these materials.
 - p) **Do not use accessories that require liquid coolants.** Using water or other liquid coolants may result in electrocution or shock.
- ### **2) KICKBACK AND RELATED WARNINGS**
- Kickback is a sudden reaction to a pinched or snagged rotating wheel, backing pad, brush or any other accessory. Pinching or snagging causes rapid stalling of the rotating accessory which in turn causes the uncontrolled power tool to be forced in the direction opposite of the accessory's rotation at the point of the binding.
 - For example, if an abrasive wheel is snagged or pinched by the workpiece, the edge of the wheel that is entering into the pinch point can dig into the surface of the material causing the wheel to climb out or kick out. The wheel may either jump toward or away from the operator, depending on the direction of the wheel's movement at the point of pinching. Abrasive wheels may also break under these conditions.
 - Kickback is the result of power tool misuse and/or incorrect operating procedures or conditions and can be avoided by taking proper precautions as given below.

- a) **Maintain a firm grip on the power tool and position your body and arm to allow you to resist kickback forces. Always use auxiliary handle, if provided, for maximum control over kickback or torque reaction during start-up.** The operator can control torque reactions or kickback forces, if proper precautions are taken.
- b) **Never place your hand near the rotating accessory.** The accessory may kickback over your hand.
- c) **Do not position your body in the area where power tool will move if kickback occurs.** Kickback will propel the tool in the direction opposite to the wheel's movement at the point of snagging.
- d) **Use special care when working corners, sharp edges etc. Avoid bouncing and snagging the accessory.** Corners, sharp edges or bouncing have a tendency to snag the rotating accessory and cause loss of control or kickback.
- e) **Do not attach a saw chain woodcarving blade or toothed saw blade.** Such blades create frequent kickback and loss of control.

GENERAL

- Only use this tool for dry polishing
- Only use the flanges which are supplied with this tool
- This tool should not be used by people under the age of 16 years
- **Always disconnect plug from power source before making any adjustment or changing any accessory**
- **Do not work materials containing asbestos** (asbestos is considered carcinogenic)

ACCESSORIES

- SKIL can assure flawless functioning of the tool only when the correct accessories are used which can be obtained from your SKIL dealer
- For mounting/using non-SKIL accessories observe the instructions of the manufacturer concerned
- Use only accessories with an allowable speed matching at least the highest no-load speed of the tool
- Never use accessories with a "blind" threaded hole smaller than M14 x 21 mm
- Do not use damaged, deformed or vibrating accessories

OUTDOOR USE

- When used outdoors, connect the tool via a fault current (FI) circuit breaker with a triggering current of 30 mA maximum, and only use an extension cord which is intended for outdoor use and equipped with a splashproof coupling-socket

BEFORE USE

- Always check that the supply voltage is the same as the voltage indicated on the nameplate of the tool (tools with a rating of 230V or 240V can also be connected to a 220V supply)
- Always mount auxiliary handle A ③ or B ③; never use the tool without it
- Dust from material such as paint containing lead, some wood species, minerals and metal may be harmful (contact with or inhalation of the dust may cause allergic reactions and/or respiratory diseases to the operator or bystanders); **wear a dust mask and work with a dust extraction device when connectable**

- Certain kinds of dust are classified as carcinogenic (such as oak and beech dust) especially in conjunction with additives for wood conditioning; **wear a dust mask and work with a dust extraction device when connectable**
- Follow the dust-related national requirements for the materials you want to work with
- **Secure the workpiece** (a workpiece clamped with clamping devices or in a vice is held more securely than by hand)
- Do not clamp the tool in a vice
- Use completely unrolled and safe extension cords with a capacity of 16 Amps (U.K. 13 Amps)

DURING USE

- When working, always hold the tool firmly with both hands and take a secure stance
- Always keep the cord away from moving parts of the tool; direct the cord to the rear, away from the tool
- If the cord is damaged or cut through while working, do not touch the cord, but immediately disconnect the plug
- Never use the tool when cord is damaged; have it replaced by a qualified person
- In case of electrical or mechanical malfunction, immediately switch off the tool and disconnect the plug
- In case of current interruption or when the plug is accidentally pulled out, release switch H ③ in order to prevent uncontrolled restarting

AFTER USE

- Before you put down the tool, switch off the motor and ensure that all moving parts have come to a complete standstill
 - After switching off the tool, never stop the rotation of the accessory by a lateral force applied against it
- WHEN CONNECTING NEW 3-PIN PLUG (U.K. ONLY):
- Do not connect the blue (= neutral) or brown (= live) wire in the cord of this tool to the earth terminal of the plug
 - If for any reason the old plug is cut off the cord of this tool, it must be disposed of safely and not left unattended

USE

- Mounting of auxiliary handles ⑤
 - ! **disconnect the plug**
 - screw auxiliary handle A on the right or the left of the tool (depending on the work to be carried out)
 - mount auxiliary handle B as illustrated and tighten both screws supplied with hex key C
- Mounting of accessories ③
 - ! **disconnect the plug**
 - clean spindle D and all parts to be mounted
 - screw VELCRO backing pad E onto spindle D while pushing spindle-lock button F
 - ! **push spindle-lock button F only when spindle D is at a standstill**
 - simply press wool bonnet G onto VELCRO backing pad E
 - for removing accessories handle vice-versa
- Before using the tool
 - ensure that accessory is correctly mounted and firmly tightened
 - check if accessory runs freely by turning it by hand

- test-run tool for at least 30 seconds at highest no-load speed in a safe position
- stop immediately in case of considerable vibration or other defects and check tool to determine the cause
- On/off
 - switch on/off the tool by pulling/releasing trigger H ③
- Electronic soft-start

Ensures reaching the maximum speed smoothly without a sudden impact when tool is switched on
- Switch locking for continuous use
 - pull trigger H
 - press knob J with your thumb
 - unlock the switch by pulling again trigger H and then releasing it
- Speed control ⑥
 - with wheel K the maximum speed can be adjusted from low to high (1-MAX)
 - start with wheel K in position 1 (lower speed)
 - if needed, select a higher speed while the tool runs
 - the optimal working speed depends on the material and can be determined with practical trials
- Operating the tool
 - switch on the tool
 - place the tool fully on the surface to be polished and move it evenly by sections
 - one move should overlap the previous move by one half
 - do not stop at a single spot to avoid burning the coating
 - do not move the tool in circles to avoid staining or burning the coating

! before switching off the tool, you should lift it from the workpiece

! the accessory continues to rotate for a short time after the tool has been switched off
- Holding and guiding the tool ⑦
 - ! while working, always hold the tool at the grey-coloured grip area(s)**
 - always hold the tool firmly with both hands, so you will have full control of the tool at all times
 - provide for a secure stance
 - ! do not apply so much pressure on the tool that it comes to a standstill**
 - keep ventilation slots L ③ uncovered

MAINTENANCE / SERVICE

- Protect the tool from impact, shock and grease
- Always keep tool and cord clean (especially ventilation slots L ③)
 - ! disconnect the plug before cleaning**
 - ! do not attempt to clean ventilation slots by inserting pointed objects through openings**
- If the tool should fail despite the care taken in manufacturing and testing procedures, repair should be carried out by an after-sales service centre for SKIL power tools
 - send the tool **undismantled** together with proof of purchase to your dealer or the nearest SKIL service station (addresses as well as the service diagram of the tool are listed on www.skilmasters.com)

ENVIRONMENT

- **Do not dispose of electric tools, accessories and packaging together with household waste material** (only for EU countries)
 - in observance of European Directive 2002/96/EC on waste of electric and electronic equipment and its implementation in accordance with national law, electric tools that have reached the end of their life must be collected separately and returned to an environmentally compatible recycling facility
 - symbol ⑧ will remind you of this when the need for disposing occurs

DECLARATION OF CONFORMITY C E

- We declare under our sole responsibility that the product described under "Technical data" is in conformity with the following standards or standardization documents: EN 60745, EN 61000, EN 55014, in accordance with the provisions of the directives 2004/108/EC, 2006/42/EC, 2011/65/EU
- **Technical file at:** SKIL Europe BV (PT-SEU/ENG1), 4825 BD Breda, NL

Marijn van der Hoofden
Operations & Engineering

Olaf Dijkgraaf
Approval Manager




SKIL Europe BV, 4825 BD Breda, NL

19.08.2013

NOISE/VIBRATION

- Measured in accordance with EN 60745 the sound pressure level of this tool is 86 dB(A) and the sound power level 97 dB(A) (standard deviation: 3 dB), and the vibration 8.5 m/s² (hand-arm method; uncertainty K = 1.5 m/s²)
- The vibration emission level has been measured in accordance with a standardised test given in EN 60745; it may be used to compare one tool with another and as a preliminary assessment of exposure to vibration when using the tool for the applications mentioned
 - using the tool for different applications, or with different or poorly maintained accessories, may significantly **increase** the exposure level
 - the times when the tool is switched off or when it is running but not actually doing the job, may significantly **reduce** the exposure level
- ! protect yourself against the effects of vibration by maintaining the tool and its accessories, keeping your hands warm, and organizing your work patterns**

INTRODUCTION

- Cet outil est conçu pour polir les surfaces métalliques, plastiques et revêtues ainsi que pour polir certains matériaux minéraux sans utiliser d'eau
- Lisez et conservez ce manuel d'instruction ②

CARACTERISTIQUES TECHNIQUES ①

ELEMENTS DE L'OUTIL ③

- A Poignée auxiliaire
- B Poignée auxiliaire (type D)
- C Clé hexagonale
- D Arbre
- E Support plateau (VELCRO)
- F Bouton de blocage de l'arbre
- G Bonnet de laine
- H Interrupteur marche/arrêt
- J Bouton de verrouillage de l'interrupteur marche/arrêt
- K Molette de réglage de la vitesse maximum
- L Fentes de ventilation

SECURITE

INSTRUCTIONS GENERALES DE SECURITE

⚠ ATTENTION! Lisez tous les avertissements de sécurité et toutes les instructions. Ne pas suivre les avertissements et instructions peut entraîner un choc électrique, un incendie et/ou de graves blessures sur les personnes. **Conservez tous les avertissements et toutes les instructions pour pouvoir s'y reporter ultérieurement.** La notion d'"outil électroportatif" dans les avertissements se rapporte à des outils électriques raccordés au secteur (avec câble de raccordement) et à des outils électriques à batterie (sans câble de raccordement).

1) SECURITE DE LA ZONE DE TRAVAIL

- a) **Maintenez l'endroit de travail propre et bien éclairé.**
Un lieu de travail en désordre ou mal éclairé augmente le risque d'accidents.
- b) **N'utilisez pas l'appareil dans un environnement présentant des risques d'explosion et où se trouvent des liquides, des gaz ou poussières inflammables.** Les outils électroportatifs génèrent des étincelles risquant d'enflammer les poussières ou les vapeurs.
- c) **Tenez les enfants et autres personnes éloignés durant l'utilisation de l'outil électroportatif.** En cas d'inattention vous risquez de perdre le contrôle sur l'appareil.

2) SECURITE RELATIVE AU SYSTEME ELECTRIQUE

- a) **La fiche de secteur de l'outil électroportatif doit être appropriée à la prise de courant. Ne modifiez en aucun cas la fiche. N'utilisez pas de fiches d'adaptateur avec des appareils avec mise à la**

terre. Les fiches non modifiées et les prises de courant appropriées réduisent le risque de choc électrique.

- b) **Evitez le contact physique avec des surfaces mises à la terre telles que tuyaux, radiateurs, fours et réfrigérateurs.** Il y a un risque élevé de choc électrique au cas où votre corps serait relié à la terre.
- c) **N'exposez pas l'outil électroportatif à la pluie ou à l'humidité.** La pénétration d'eau dans un outil électroportatif augmente le risque d'un choc électrique.
- d) **N'utilisez pas le câble à d'autres fins que celles prévues, n'utilisez pas le câble pour porter l'appareil ou pour l'accrocher ou encore pour le débrancher de la prise de courant. Maintenez le câble éloigné des sources de chaleur, des parties grasses, des bords tranchants ou des parties de l'appareil en rotation.** Un câble endommagé ou torsadé augmente le risque d'un choc électrique.
- e) **Au cas où vous utiliseriez l'outil électroportatif à l'extérieur, utilisez une rallonge autorisée homologuée pour les applications extérieures.** L'utilisation d'une rallonge électrique homologuée pour les applications extérieures réduit le risque d'un choc électrique.
- f) **Si l'usage d'un outil dans un emplacement humide est inévitable, utilisez un disjoncteur de fuite à la terre.** L'utilisation d'un disjoncteur de fuite à la terre réduit le risque de choc électrique.

3) SECURITE DES PERSONNES

- a) **Restez vigilant, surveillez ce que vous faites. Faites preuve de bon sens en utilisant l'outil électroportatif. N'utilisez pas l'appareil lorsque vous êtes fatigué ou après avoir consommé de l'alcool, des drogues ou avoir pris des médicaments.** Un moment d'inattention lors de l'utilisation de l'appareil peut entraîner de graves blessures sur les personnes.
- b) **Portez des équipements de protection. Portez toujours des lunettes de protection.** Le fait de porter des équipements de protection personnels tels que masque anti-poussières, chaussures de sécurité antidérapantes, casque de protection ou protection acoustique suivant le travail à effectuer, réduit le risque de blessures.
- c) **Evitez tout démarrage intempestif. S'assurez que l'interrupteur est en position arrêt avant de brancher l'outil au secteur et/ou au bloc de batteries, de le ramasser ou de le porter.** Porter les outils en ayant le doigt sur l'interrupteur ou brancher des outils dont l'interrupteur est en position marche est source d'accidents.
- d) **Enlevez tout outil de réglage ou toute clé avant de mettre l'appareil en fonctionnement.** Une clé ou un outil se trouvant sur une partie en rotation peut causer des blessures.
- e) **Ne surestimez pas vos capacités. Veillez à garder toujours une position stable et équilibrée.** Ceci vous permet de mieux contrôler l'appareil dans des situations inattendues.
- f) **Portez des vêtements appropriés. Ne portez pas de vêtements amples ni de bijoux. Maintenez cheveux, vêtements et gants éloignés des parties de l'appareil en rotation.** Des vêtements amples, des

bijoux ou des cheveux longs peuvent être happés par des pièces en mouvement.

- g) **Si des dispositifs servant à aspirer ou à recueillir les poussières doivent être utilisés, vérifiez que ceux-ci soient effectivement raccordés et qu'ils sont correctement utilisés.** L'utilisation des collecteurs de poussière réduit les dangers dus aux poussières.

4) UTILISATION ET EMPLOI SOIGNEUX DE L'OUTIL ELECTROPORTATIF

- a) **Ne surchargez pas l'appareil. Utilisez l'outil électroportatif approprié au travail à effectuer.** Avec l'outil électroportatif approprié, vous travaillerez mieux et avec plus de sécurité à la vitesse pour laquelle il est prévu.
- b) **N'utilisez pas un outil électroportatif dont l'interrupteur est défectueux.** Un outil électroportatif qui ne peut plus être mis en ou hors fonctionnement est dangereux et doit être réparé.
- c) **Débranchez la fiche de la source d'alimentation en courant et/ou le bloc de batteries de l'outil avant tout réglage, changement d'accessoires ou avant de ranger l'outil.** Cette mesure de précaution empêche une mise en fonctionnement par mégarde.
- d) **Gardez les outils électroportatifs non utilisés hors de portée des enfants. Ne permettez pas l'utilisation de l'appareil à des personnes qui ne se sont pas familiarisées avec celui-ci ou qui n'ont pas lu ces instructions.** Les outils électroportatifs sont dangereux lorsqu'ils sont utilisés par des personnes non initiées.
- e) **Prenez soin des outils électroportatifs. Vérifiez que les parties en mouvement fonctionnent correctement et qu'elles ne soient pas coincées, et contrôlez si des parties sont cassées ou endommagées de telle sorte que le bon fonctionnement de l'appareil s'en trouve entravé. Faites réparer les parties endommagées avant d'utiliser l'appareil.** De nombreux accidents sont dus à des outils électroportatifs mal entretenus.
- f) **Maintenez les outils de coupe aiguisés et propres.** Des outils soigneusement entretenus avec des bords tranchants bien aiguisés se coincent moins souvent et peuvent être guidés plus facilement.
- g) **Utilisez les outils électroportatifs, les accessoires, les outils à monter etc. conformément à ces instructions. Tenez compte également des conditions de travail et du travail à effectuer.** L'utilisation des outils électroportatifs à d'autres fins que celles prévues peut entraîner des situations dangereuses.

5) SERVICE

- a) **Ne faites réparer votre outil électroportatif que par un personnel qualifié et seulement avec des pièces de rechange d'origine.** Ceci permet d'assurer la sécurité de l'appareil.

INSTRUCTIONS DE SECURITE POUR POLISSEUSES

1) INSTRUCTIONS DE SECURITE POUR TOUS LES UTILISATIONS

- a) **Cet outil électroportatif est à utiliser en tant que polisseuse. Respecter tous les avertissements, instructions, représentations et données qui sont fournis avec l'outil électroportatif.** Un non-respect des

instructions suivantes peut entraîner un choc électrique et / ou de graves blessures.

- b) **Cet outil électrique n'est pas recommandé pour réaliser des opérations de meulage, de ponçage, de brossage métallique ou de découpage.** Les opérations pour lesquelles cet outil électrique n'a pas été conçu peuvent constituer un risque et provoquer des blessures.
- c) **Eviter absolument que des éléments du capot de polissage, surtout des cordes de fixation, ne dépassent. Ranger ou raccourcir les cordes de fixation.** Les cordes qui dépassent tournent avec l'outil peuvent happer vos doigts ou se coincer dans la pièce.
- d) **Ne pas utiliser des accessoires qui ne sont pas spécialement prévus et recommandés par le fabricant pour cet outil électroportatif.** Le fait de pouvoir monter les accessoires sur votre outil électroportatif ne garantit pas une utilisation en toute sécurité.
- e) **La vitesse de rotation admissible de l'accessoire doit être au moins égale à la vitesse de rotation maximale de l'outil électroportatif.** Les accessoires qui tournent à une vitesse de rotation supérieure à celle qui est admise risquent d'être détruits.
- f) **Le diamètre extérieur et la largeur de l'accessoire doivent correspondre aux cotes de votre outil électroportatif.** Les accessoires de mauvaises dimensions ne peuvent pas être protégés ni contrôlés de façon suffisante.
- g) **Le montage fileté d'accessoires doit être adapté au filet de l'arbre de la meuleuse. Pour les accessoires montés avec des flasques, l'alésage central de l'accessoire doit s'adapter correctement au diamètre du flasque.** Les accessoires qui ne correspondent pas aux éléments de montage de l'outil électrique seront en déséquilibre, vibreront de manière excessive et pourront provoquer une perte de contrôle.
- h) **Ne pas utiliser des accessoires endommagés. Avant chaque utilisation, contrôler les accessoires tels que meules pour détecter des éclats et des fissures, les plateaux de ponçage pour détecter des fissures, une certaine usure ou des signes de forte usure, les brosses métalliques pour détecter des fils détachés ou cassés. Au cas où l'outil électroportatif ou l'accessoire tomberait, contrôler s'il est endommagé ou utiliser un accessoire intact. Après avoir contrôlé et monté l'accessoire, se tenir à distance du niveau de l'accessoire en rotation ainsi que les personnes se trouvant à proximité et laisser tourner l'outil électroportatif à la vitesse maximale pendant une minute.** Dans la plupart des cas, les accessoires endommagés cassent pendant ce temps d'essai.
- i) **Porter des équipements de protection personnels**
④. **Selon l'utilisation, porter une protection complète pour le visage, une protection oculaire ou des lunettes de protection. Si nécessaire, porter un masque anti-poussière, une protection acoustique, des gants de protection ou un tablier spécial qui vous protège de petites particules de matériau causées par le meulage.** Protéger vos yeux de corps étrangers projetés dans l'air lors des différentes utilisations. Les masques anti-poussière ou les masques

respiratoires doivent filtrer la poussière générée lors de l'utilisation. Une exposition trop longue au bruit fort peut entraîner une perte d'audition.

- j) **Garder une distance de sécurité suffisante entre votre zone de travail et les personnes se trouvant à proximité. Toute personne entrant dans la zone de travail doit porter un équipement de protection individuel.** Des fragments de pièces ou d'accessoires cassés peuvent être projetés et causer des blessures même en dehors de la zone directe de travail.
- k) **Garder le câble de secteur à distance des accessoires en rotation.** Si vous perdez le contrôle de l'outil, le câble de secteur peut être sectionné ou happé et votre main ou votre bras risquent d'être happés par l'accessoire en rotation.
- l) **Déposer l'outil électroportatif seulement après l'arrêt total de l'accessoire.** L'accessoire en rotation peut toucher la surface sur laquelle l'outil est posé, ce qui risque de vous faire perdre le contrôle de l'outil électroportatif.
- m) **Ne pas laisser tourner l'outil électroportatif pendant que vous le portez.** Suite à un contact involontaire, vos vêtements peuvent être happés par l'accessoire en rotation, et l'accessoire peut rentrer dans votre corps.
- n) **Nettoyer régulièrement les ouïes de ventilation de votre outil électroportatif.** La ventilation du moteur aspire de la poussière dans le carter, et de la poussière de métal en trop grande quantité peut causer des dangers électriques.
- o) **Ne pas utiliser l'outil électroportatif lorsqu'il y a des matériaux inflammables à proximité.** Les étincelles risquent d'enflammer ces matériaux.
- p) **Ne pas utiliser des accessoires qui nécessitent des liquides de refroidissement.** L'utilisation d'eau ou d'autres liquides de refroidissement peut entraîner un choc électrique.

2) CONTRECOUP ET AVERTISSEMENTS CORRESPONDANTS

- Un contrecoup est une réaction soudaine causée par un accessoire en rotation qui s'accroche ou qui se bloque, tels que meule, plateau de ponçage, brosse métallique, etc. Un coinçage ou un blocage entraîne un arrêt soudain de l'accessoire en rotation. Il en résulte que l'outil électroportatif incontrôlé est accéléré à l'endroit du blocage dans le sens inverse de l'accessoire.
 - Par ex., si une meule s'accroche ou si elle se bloque dans la pièce, le bord de la meule qui entre dans la pièce peut se coincer et faire que la meule se déplace ou causer un contrecoup. En fonction du sens de rotation de la meule à l'endroit de blocage, la meule s'approche ou s'éloigne alors de l'utilisateur. Les meules peuvent également casser.
 - Un contrecoup est la suite d'une mauvaise utilisation ou une utilisation incorrecte de l'outil électroportatif. Il peut être évité en prenant des mesures de précaution comme celles décrites ci-dessous.
- a) **Bien tenir l'outil électroportatif et se mettre dans une position permettant de faire face à des forces de contrecoup. Utiliser toujours la poignée supplémentaire, s'il y en a une, pour contrôler au maximum les forces de contrecoup ou les couples de réaction lors de l'accélération à pleine vitesse.**

Par des mesures de précaution appropriées, la personne travaillant avec l'outil peut contrôler le contrecoup et les forces du contrecoup.

- b) **Ne pas mettre votre main à proximité des accessoires en rotation.** Lors d'un contrecoup, l'accessoire risque de passer sur votre main.
- c) **Éviter de vous placer dans la zone dans laquelle l'outil électroportatif ira lors d'un contrecoup.** Le contrecoup entraîne l'outil électroportatif dans le sens opposé au mouvement de la meule à l'endroit de blocage.
- d) **Être extrêmement vigilant lors du travail de coins, d'arêtes coupantes etc. Éviter que les accessoires ne rebondissent contre pièce à travailler et ne se coincent.** L'accessoire en rotation a tendance à se coincer aux coins, arêtes coupantes ou quand il rebondit. Ceci cause une perte de contrôle ou un contrecoup.
- e) **Ne pas utiliser de lames de scie à chaînes ou dentées.** De tels accessoires risquent de produire un contrecoup ou une perte de contrôle de l'outil électroportatif.

GENERALITES

- Utilisez uniquement cet outil pour le polissage à sec
- Utilisez uniquement les brides livrées avec l'outil
- Cet outil ne doit pas être utilisé par des personnes de moins de 16 ans
- **Débranchez toujours l'outil avant tout réglage ou changement d'accessoire**
- **Ne travaillez pas de matériaux contenant de l'amiante** (l'amiante est considérée comme étant cancérigène)

ACCESSOIRES

- SKIL ne peut se porter garant du bon fonctionnement de cet outil que s'il a été utilisé avec les accessoires appropriés en vente chez votre distributeur SKIL
- Pour le montage et l'utilisation d'accessoires n'étant pas de la marque SKIL, observez les instructions du fabricant concerné
- La vitesse admissible des accessoires utilisées doit être au moins aussi élevée que la vitesse à vide maximale de l'outil
- Ne jamais utilisez d'accessoires avec un orifice fileté borgne plus petit que M14 x 21 mm
- N'utilisez jamais d'accessoires endommagés, déformés ou qui vibrent

UTILISATION A L'EXTERIEUR

- En cas d'usage à l'extérieur, branchez l'outil par l'intermédiaire d'un coupe-circuit (FI) avec courant de réaction de 30 mA au maximum, et utilisez uniquement un câble de prolongement spécial pour l'extérieur équipé d'une prise résistant aux éclaboussures

AVANT L'USAGE

- Contrôlez toujours si la tension secteur correspond à la tension indiquée sur la plaquette signalétique de l'outil (les outils conçus pour une tension de 230V ou 240V peuvent également être branchés sur 220V)
- Placez toujours la poignée auxiliaire A ③ ou B ③;
- n'utilisez jamais l'outil sans avoir pris ces dispositions
- La poussière de matériaux, tels que la peinture contenant du plomb, certaines espèces de bois, certains minéraux et différents métaux, peut être nocive (le contact avec la

poussière ou son inhalation peut provoquer des réactions allergiques et/ou des maladies respiratoires chez l'opérateur ou des personnes se trouvant à proximité); **portez un masque antipoussières et travaillez avec un appareil de dépoussiérage lorsqu'il est possible d'en connecter un**

- Certains types de poussières sont classifiés comme étant cancérogènes (tels que la poussière de chêne ou de hêtre), en particulier en combinaison avec des additifs de traitement du bois; **portez un masque antipoussières et travaillez avec un appareil de dépoussiérage lorsqu'il est possible d'en connecter un**
- Suivez les directives nationales relatives au dépoussiérage pour les matériaux à travailler
- **Fixez solidement la pièce à travailler** (une pièce fixée à l'aide de dispositifs de fixation est davantage assurée que si elle était tenue à la main)
- Ne pas serrez l'outil dans un étai
- Utilisez un câble de prolongement complètement déroulé et de bonne qualité d'une capacité de 16 A

PENDANT L'USAGE

- En travaillant, toujours tenez fermement l'outil à l'aide des deux mains et adoptez une position de travail stable et sûre
- Tenez toujours le câble éloigné des parties mobiles de l'outil; orientez le câble vers l'arrière le plus loin possible de l'outil
- Si le câble est endommagé ou rompu pendant le travail, n'y touchez pas, mais débranchez immédiatement la prise
- N'utilisez jamais d'outil avec un câble endommagé; faites-le remplacer par un technicien qualifié
- En cas de dysfonctionnement électrique ou mécanique, mettez directement l'outil hors service et débranchez la fiche
- En cas d'interruption de courant ou de débranchement accidentel de la fiche, relâchez l'interrupteur H ③ pour éviter une remise en route non contrôlée

APRES L'USAGE

- Avant de déposer l'outil, mettez le moteur hors service et s'assurez que toutes les pièces mobiles se sont complètement arrêtées
- Après la mise hors service de l'outil, ne jamais arrêtez la rotation de l'accessoire en y appliquant une force latérale

UTILISATION

- Montage de les poignées auxiliaires ⑤
! débranchez la fiche
 - vissez la poignée auxiliaire A à droite ou à gauche de l'outil (selon le travail à effectuer)
 - montez la poignée auxiliaire B comme illustré et serrez les deux vis fournies avec la clé hexagonale C
- Montage des accessoires ③
! débranchez la fiche
 - nettoyez l'arbre D ainsi que toutes les pièces à monter
 - vissez le support plateau VELCRO E sur l'arbre D tout en poussant le bouton de blocage de l'arbre F
 - ! poussez uniquement le bouton de blocage de l'arbre F lorsque l'arbre D est à l'arrêt**

- appuyez simplement le tampon en laine G sur le support plateau VELCRO E
- procédez dans l'ordre inverse pour démonter les accessoires
- Avant toute utilisation
 - assurez-vous que l'accessoire soit correctement monté et fermement serré
 - arrêtez manuellement que l'accessoire tourne aisément
 - testez l'outil à vide au moins 30 secondes à vitesse maximum dans une position de sécurité
 - arrêtez l'outil immédiatement dans le cas de vibrations considérables ou la présence d'autres défauts et vérifiez l'outil pour en déterminer la cause
- Marche/arrêt
 - mettez en marche/arrêtez votre outil en poussant/relâchant la gâchette H ③
- Démarrage progressif électronique
Permet d'atteindre progressivement la vitesse maximum sans provoquer d'à-coups au moment de la mise en marche de l'outil
- Blocage de l'interrupteur pour marche continue
 - appuyez sur la gâchette H
 - poussez le bouton J à l'aide du pouce
 - déverrouillez l'interrupteur en appuyant à nouveau sur la gâchette H puis en le relâchant
- Contrôle de la vitesse ⑥
 - la molette K vous permet de régler la vitesse maximum de lente à rapide (1-MAX)
 - commencez en réglant la molette K sur la position 1 (basse vitesse)
 - si nécessaire, sélectionnez une vitesse supérieure pendant le fonctionnement de l'outil
 - la vitesse de travail optimale dépend du matériau et peut être déterminée par des essais pratiques
- Utilisation de l'outil
 - mettez en marche l'outil
 - posez entièrement l'outil sur la surface à polir et déplacez-le de manière uniforme par section
 - un déplacement doit chevaucher le déplacement précédent de moitié
 - ne laissez pas l'outil fonctionner sans le déplacer régulièrement, au risque de brûler le revêtement
 - ne faites pas faire à l'outil des mouvements circulaires, au risque de foncer ou de brûler le revêtement
 - ! avant d'arrêter l'outil, vous devriez le soulever de la pièce à travailler**
 - ! l'accessoire continue à tourner quelques temps après que l'outil ait été arrêté**
- Tenue et guidage de l'outil ⑦
 - ! lorsque vous travaillez, tenez toujours l'outil par la(les) zone(s) de couleur grise**
 - toujours tenez l'outil fermement à deux mains pour bien le maîtriser dans toutes les circonstances et à tout moment
 - veillez à ce que votre position soit bien stable
 - ! ne pas exercer une pression excessive sur l'outil, de sorte qu'il s'arrête**
 - veillez à ce que les fentes de ventilation L ③ soient découvertes

ENTRETIEN / SERVICE APRES-VENTE

- Protégez l'outil contre les impacts, les chocs et la graisse
- Gardez toujours votre outil et le câble propres (spécialement les aérations L ③)

! débranchez la fiche avant le nettoyage
! ne tentez pas de nettoyer les aérations en introduisant des objets pointus par les fentes

- Si, malgré tous les soins apportés à la fabrication et au contrôle de l'outil, celui-ci devait avoir un défaut, la réparation ne doit être confiée qu'à une station de service après-vente agréée pour outillage SKIL
 - retournez l'outil **non démonté** avec votre preuve d'achat au revendeur ou au centre de service après-vente SKIL le plus proche (les adresses ainsi que la vue éclatée de l'outil figurent sur www.skilmasters.com)

ENVIRONNEMENT

- **Ne jetez pas les outils électriques, les accessoires et l'emballage dans les ordures ménagères** (pour les pays européens uniquement)

- conformément à la directive européenne 2002/96/EG relative aux déchets d'équipements électriques ou électroniques, et à sa transposition dans la législation nationale, les outils électriques usés doivent être collectés séparément et faire l'objet d'un recyclage respectueux de l'environnement
- le symbole ② vous le rappellera au moment de la mise au rebut de l'outil

DÉCLARATION DE CONFORMITÉ CE

- Nous déclarons sous notre propre responsabilité que le produit décrit sous "Caractéristiques techniques" est en conformité avec les normes ou documents normatifs suivants: EN 60745, EN 61000, EN 55014, conformément aux termes des réglementations en vigueur 2004/108/CE, 2006/42/CE, 2011/65/UE
- **Dossier technique auprès de:** SKIL Europe BV (PT-SEU/ENG1), 4825 BD Breda, NL

Marijn van der Hoofden
Operations & Engineering

Olaf Dijkgraaf
Approval Manager

SKIL Europe BV, 4825 BD Breda, NL

19.08.2013

BRUIT/VIBRATION

- Mesuré selon EN 60745 le niveau de la pression sonore de cet outil est 86 dB(A) et le niveau de la puissance sonore 97 dB(A) (déviations standard: 3 dB), et la vibration 8,5 m/s² (méthode main-bras; incertitude K = 1,5 m/s²)
- Le niveau de vibrations émises a été mesuré conformément à l'essai normalisé de la norme EN 60745; il peut être utilisé pour comparer plusieurs outils et pour réaliser une évaluation préliminaire de l'exposition aux vibrations lors de l'utilisation de l'outil pour les applications mentionnées

- l'utilisation de l'outil dans d'autres applications, ou avec des accessoires différents ou mal entretenus, peut considérablement **augmenter** le niveau d'exposition
- la mise hors tension de l'outil et sa non-utilisation pendant qu'il est allumé peuvent considérablement **réduire** le niveau d'exposition
- ! protégez-vous contre les effets des vibrations par un entretien correct de l'outil et de ses accessoires, en gardant vos mains chaudes et en structurant vos schémas de travail**

D

Polierer

9955

EINLEITUNG

- Dieses Werkzeug dient zum Polieren von Metall-, Kunststoff- und beschichteten Oberflächen sowie für das Polieren von Steinmaterialien ohne Wasser
- Bitte diese Bedienungsanleitung sorgfältig lesen und aufbewahren ②

TECHNISCHE DATEN ①

WERKZEUGKOMPONENTEN ③

- A Zusatzgriff
- B Zusatzgriff (Typ D)
- C Sechskantschlüssel
- D Spindel
- E Schleifteller (VELCRO)
- F Spindelarretierungsknopf
- G Wollhaube
- H Ein/Aus-Schalter
- J Knopf zum Verriegeln des Ein/Aus-Schalters
- K Rad zur Maximalgeschwindigkeits-Kontrolle
- L Lüftungsschlitze

SICHERHEIT

ALLGEMEINE SICHERHEITSHINWEISE

⚠ ACHTUNG! Lesen Sie alle Sicherheitshinweise und Anweisungen. Versäumnisse bei der Einhaltung der Sicherheitshinweise und Anweisungen können elektrischen Schlag, Brand und/oder schwere Verletzungen verursachen. **Bewahren Sie alle Sicherheitshinweise und Anweisungen für die Zukunft auf.** Der in den Sicherheitshinweisen verwendete Begriff "Elektrowerkzeug" bezieht sich auf netzbetriebene Elektrowerkzeuge (mit Netzkabel) und auf akkubetriebene Elektrowerkzeuge (ohne Netzkabel).

1) ARBEITSPLATZSICHERHEIT

- a) **Halten Sie Ihren Arbeitsbereich sauber und gut beleuchtet.** Unordnung oder unbeleuchtete Arbeitsbereiche können zu Unfällen führen.
- b) **Arbeiten Sie mit dem Gerät nicht in explosionsgefährdeter Umgebung, in der sich brennbare Flüssigkeiten, Gase oder Stäube**

- befinden. Elektrowerkzeuge erzeugen Funken, die den Staub oder die Dämpfe entzünden können.
- c) **Halten Sie Kinder und andere Personen während der Benutzung des Elektrowerkzeugs fern.** Bei Ablenkung können Sie die Kontrolle über das Gerät verlieren.
- 2) ELEKTRISCHE SICHERHEIT**
- a) **Der Anschlussstecker des Gerätes muss in die Steckdose passen. Der Stecker darf in keiner Weise verändert werden. Verwenden Sie keine Adapterstecker gemeinsam mit schutzgeerdeten Geräten.** Unveränderte Stecker und passende Steckdosen verringern das Risiko eines elektrischen Schlages.
- b) **Vermeiden Sie Körperkontakt mit geerdeten Oberflächen, wie von Rohren, Heizungen, Herden und Kühlschränken.** Es besteht ein erhöhtes Risiko durch elektrischen Schlag, wenn Ihr Körper geerdet ist.
- c) **Halten Sie das Gerät von Regen oder Nässe fern.** Das Eindringen von Wasser in ein Elektrogerät erhöht das Risiko eines elektrischen Schlages.
- d) **Zweckfremden Sie das Kabel nicht, um das Gerät zu tragen, aufzuhängen oder um den Stecker aus der Steckdose zu ziehen. Halten Sie das Kabel fern von Hitze, Öl, scharfen Kanten oder sich bewegendem Geräteteilen.** Beschädigte oder verwickelte Kabel erhöhen das Risiko eines elektrischen Schlages.
- e) **Wenn Sie mit einem Elektrowerkzeug im Freien arbeiten, verwenden Sie nur Verlängerungskabel, die auch für den Außenbereich zugelassen sind.** Die Anwendung eines für den Außenbereich geeigneten Verlängerungskabels verringert das Risiko eines elektrischen Schlages.
- f) **Wenn der Betrieb des Elektrowerkzeuges in feuchter Umgebung nicht vermeidbar ist, verwenden Sie einen Fehlerstromschutzschalter.** Der Einsatz eines Fehlerstromschutzschalters vermindert das Risiko eines elektrischen Schlages.
- 3) SICHERHEIT VON PERSONEN**
- a) **Seien Sie aufmerksam, achten Sie darauf, was Sie tun, und gehen Sie mit Vernunft an die Arbeit mit einem Elektrowerkzeug. Benutzen Sie das Gerät nicht, wenn Sie müde sind oder unter dem Einfluss von Drogen, Alkohol oder Medikamenten stehen.** Ein Moment der Unachtsamkeit beim Gebrauch des Gerätes kann zu ernsthaften Verletzungen führen.
- b) **Tragen Sie persönliche Schutzausrüstung und immer eine Schutzbrille.** Das Tragen persönlicher Schutzausrüstung, wie Staubmaske, rutschfeste Sicherheitsschuhe, Schutzhelm oder Gehörschutz, je nach Art und Einsatz des Elektrowerkzeuges, verringert das Risiko von Verletzungen.
- c) **Vermeiden Sie eine unbeabsichtigte Inbetriebnahme. Vergewissern Sie sich, dass das Elektrowerkzeug ausgeschaltet ist, bevor Sie es an die Stromversorgung und/oder den Akku anschließen, es aufnehmen oder tragen.** Wenn Sie beim Tragen des Elektrowerkzeuges den Finger am Schalter haben oder das Gerät eingeschaltet an die Stromversorgung anschließen, kann dies zu Unfällen führen.
- d) **Entfernen Sie Einstellwerkzeuge oder Schraubenschlüssel, bevor Sie das Gerät einschalten.** Ein Werkzeug oder Schlüssel, der sich in einem drehenden Geräteteil befindet, kann zu Verletzungen führen.
- e) **Überschätzen Sie sich nicht. Sorgen Sie für einen sicheren Stand und halten Sie jederzeit das Gleichgewicht.** Dadurch können Sie das Gerät in unerwarteten Situationen besser kontrollieren.
- f) **Tragen Sie geeignete Kleidung. Tragen Sie keine weite Kleidung oder Schmuck. Halten Sie Haare, Kleidung und Handschuhe fern von sich bewegendem Teilen.** Lockere Kleidung, Schmuck oder lange Haare können von sich bewegendem Teilen erfasst werden.
- g) **Wenn Staubabsaug- und -auffangeinrichtungen montiert werden können, vergewissern Sie sich, dass diese angeschlossen sind und richtig verwendet werden.** Verwendung einer Staubabsaugung verringert Gefährdungen durch Staub.
- 4) SORGFÄLTIGER UMGANG UND GEBRAUCH VON ELEKTROWERKZEUGEN**
- a) **Überlasten Sie das Gerät nicht. Verwenden Sie für Ihre Arbeit das dafür bestimmte Elektrowerkzeug.** Mit dem passenden Elektrowerkzeug arbeiten Sie besser und sicherer im angegebenen Leistungsbereich.
- b) **Benutzen Sie kein Elektrowerkzeug, dessen Schalter defekt ist.** Ein Elektrowerkzeug, das sich nicht mehr ein- oder ausschalten lässt, ist gefährlich und muss repariert werden.
- c) **Ziehen Sie den Stecker aus der Steckdose und/oder entfernen Sie den Akku, bevor Sie Geräteeinstellungen vornehmen, Zubehörteile wechseln oder das Gerät weglegen.** Diese Vorsichtsmaßnahme verhindert den unbeabsichtigten Start des Gerätes.
- d) **Bewahren Sie unbenutzte Elektrowerkzeuge außerhalb der Reichweite von Kindern auf. Lassen Sie Personen das Gerät nicht benutzen, die mit diesem nicht vertraut sind oder diese Anweisungen nicht gelesen haben.** Elektrowerkzeuge sind gefährlich, wenn Sie von unerfahrenen Personen benutzt werden.
- e) **Pflegen Sie das Gerät mit Sorgfalt. Kontrollieren Sie, ob bewegliche Geräteteile einwandfrei funktionieren und nicht klemmen, ob Teile gebrochen oder so beschädigt sind, dass die Funktion des Gerätes beeinträchtigt ist. Lassen Sie beschädigte Teile vor dem Einsatz des Gerätes reparieren.** Viele Unfälle haben ihre Ursache in schlecht gewarteten Elektrowerkzeugen.
- f) **Halten Sie Schneidwerkzeuge scharf und sauber.** Sorgfältig gepflegte Schneidwerkzeuge mit scharfen Schneidkanten verklemmen sich weniger und sind leichter zu führen.
- g) **Verwenden Sie Elektrowerkzeug, Zubehör, Einsatzwerkzeuge usw. entsprechend diesen Anweisungen. Berücksichtigen Sie dabei die Arbeitsbedingungen und die auszuführende Tätigkeit.** Der Gebrauch von Elektrowerkzeugen für andere als die vorgesehenen Anwendungen kann zu gefährlichen Situationen führen.

5) SERVICE

- a) Lassen Sie Ihr Gerät nur von qualifiziertem Fachpersonal und nur mit Original-Ersatzteilen reparieren. Damit wird sichergestellt, dass die Sicherheit des Geräts erhalten bleibt.

SICHERHEITSHINWEISE FÜR WINKELPOLIERER

1) SICHERHEITSHINWEISE FÜR ALLE ANWENDUNGEN

- a) **Dieses Elektrowerkzeug ist zu verwenden als Polierer. Beachten Sie alle Warnhinweise, Anweisungen, Darstellungen und Daten, die Sie mit dem Werkzeug erhalten.** Wenn Sie die folgenden Anweisungen nicht beachten, kann es zu elektrischem Schlag, Feuer und/oder schweren Verletzungen kommen.
- b) **Dieses Elektrowerkzeug wird nicht zum Schleifen, Schmirgeln, Bürsten oder Schneiden empfohlen.** Anwendungen, für die dieses Elektrowerkzeug nicht ausgelegt ist, stellen ein Risiko dar; es besteht Verletzungsgefahr.
- c) **Lassen Sie keine losen Teile der Polierhaube, insbesondere Befestigungsschnüre, zu. Verstauen und kürzen Sie die Befestigungsschnüre.** Lose, sich mitdrehende Befestigungsschnüre können Ihre Finger erfassen oder sich im Werkstück verfangen.
- d) **Verwenden Sie kein Zubehör, das vom Hersteller nicht speziell für dieses Elektrowerkzeug vorgesehen und empfohlen wurde.** Nur weil Sie das Zubehör an Ihrem Elektrowerkzeug befestigen können, garantiert das keine sichere Verwendung.
- e) **Die zulässige Drehzahl des Zubehörs muss mindestens so hoch sein wie die auf dem Elektrowerkzeug angegebene Höchstzahl.** Zubehör, das sich schneller als zulässig dreht, kann zerstört werden.
- f) **Außendurchmesser und Dicke des Zubehörs müssen den Maßangaben Ihres Elektrowerkzeugs entsprechen.** Falsch bemessenes Zubehör kann nicht ausreichend abgeschirmt oder kontrolliert werden.
- g) **Einsatzwerkzeuge mit Gewindeeinsatz müssen genau auf das Gewinde der Schleifspindel passen. Bei Einsatzwerkzeugen, die mittels Flansch montiert werden, muss der Lochdurchmesser des Einsatzwerkzeuges zum Aufnahmedurchmesser des Flansches passen.** Einsatzwerkzeuge, die nicht genau am Elektrowerkzeug befestigt werden, drehen sich ungleichmäßig, vibrieren sehr stark und können zum Verlust der Kontrolle führen.
- h) **Verwenden Sie kein beschädigtes Zubehör. Kontrollieren Sie vor jeder Verwendung Zubehör wie Schleifscheiben auf Absplittierungen und Risse, Schleifteller auf Risse, Verschleiß oder starke Abnutzung, Drahtbürsten auf lose oder gebrochene Drähte. Wenn das Elektrowerkzeug oder das Zubehör herunterfällt, überprüfen Sie, ob es beschädigt ist, oder verwenden Sie ein unbeschädigtes Zubehör. Wenn Sie das Zubehör kontrolliert und eingesetzt haben, halten Sie und in der Nähe befindliche Personen sich außerhalb der Ebene des rotierenden Zubehörs und lassen Sie das Werkzeug eine Minute lang mit Höchstzahl laufen.** Beschädigtes Zubehör bricht meist in dieser Testzeit.

- i) **Tragen Sie persönliche Schutzausrüstung ④. Verwenden Sie je nach Anwendung Vollgesichtsschutz, Augenschutz oder Schutzbrille. Soweit angemessen, tragen Sie Staubmaske, Gehörschutz, Schutzhandschuhe oder Spezialschürze, die kleine Schleif- und Materialpartikel von Ihnen fernhält.** Die Augen sollen vor herumfliegenden Fremdkörpern geschützt werden, die bei verschiedenen Anwendungen entstehen. Staub- oder Atemschutzmaske müssen den bei der Anwendung entstehenden Staub filtern. Wenn Sie lange lautem Lärm ausgesetzt sind, können Sie einen Hörverlust erleiden. Verwenden Sie je nach Anwendung Vollgesichtsschutz, Augenschutz oder Schutzbrille. Soweit angemessen, tragen Sie Staubmaske, Gehörschutz, Schutzhandschuhe oder Spezialschürze, die kleine Schleif- und Materialpartikel von Ihnen fernhält. Die Augen sollen vor herumfliegenden Fremdkörpern geschützt werden, die bei verschiedenen Anwendungen entstehen. Staub- oder Atemschutzmaske müssen den bei der Anwendung entstehenden Staub filtern. Wenn Sie lange lautem Lärm ausgesetzt sind, können Sie einen Hörverlust erleiden.
- j) **Achten Sie bei anderen Personen auf sicheren Abstand zu Ihrem Arbeitsbereich. Jeder, der den Arbeitsbereich betritt, muss persönliche Schutzausrüstung tragen.** Bruchstücke des Werkstücks oder gebrochenes Zubehör können wegfliegen und Verletzungen auch außerhalb des direkten Arbeitsbereichs verursachen.
- k) **Halten Sie das Netzkabel von sich drehenden Zubehör fern.** Wenn Sie die Kontrolle über das Werkzeug verlieren, kann das Netzkabel durchtrennt oder erfasst werden und Ihre Hand oder Ihr Arm in das sich drehende Zubehör geraten.
- l) **Legen Sie das Elektrowerkzeug niemals ab, bevor das Zubehör völlig zum Stillstand gekommen ist.** Das sich drehende Zubehör kann in Kontakt mit der Ablagefläche geraten, wodurch Sie die Kontrolle über das Elektrowerkzeug verlieren können.
- m) **Lassen Sie das Elektrowerkzeug nicht laufen, während Sie es tragen.** Ihre Kleidung kann durch zufälligen Kontakt mit dem sich drehenden Zubehör erfasst werden, und das Zubehör sich in Ihren Körper bohren.
- n) **Reinigen Sie regelmäßig die Lüftungsschlitze Ihres Elektrowerkzeugs.** Das Motorgebläse zieht Staub in das Gehäuse, und eine starke Ansammlung von Metallstaub kann elektrische Gefahren verursachen.
- o) **Verwenden Sie das Elektrowerkzeug nicht in der Nähe brennbarer Materialien.** Funken können diese Materialien entzünden.
- p) **Verwenden Sie kein Zubehör, das flüssige Kühlmittel erfordern.** Die Verwendung von Wasser oder anderen flüssigen Kühlmitteln kann zu einem elektrischen Schlag führen.
- ### 2) RÜCKSCHLAG UND ENTSPRECHENDE WARNHINWEISE
- Rückschlag ist die plötzliche Reaktion infolge eines hakenden oder blockierten drehenden Zubehörs, wie Schleifscheibe, Schleifteller, Drahtbürste usw. Verhaken oder Blockieren führt zu einem abrupten Stopp des

rotierenden Zubehörs. Dadurch wird ein unkontrolliertes Elektrowerkzeug gegen die Drehrichtung des Zubehörs an der Blockierstelle beschleunigt.

- Wenn z. B. eine Schleifscheibe im Werkstück hakt oder blockiert, kann sich die Kante der Schleifscheibe, die in das Werkstück eintaucht, verfangen und dadurch die Schleifscheibe ausbrechen oder einen Rückschlag verursachen. Die Schleifscheibe bewegt sich dann auf die Bedienperson zu oder von ihr weg, je nach Drehrichtung der Scheibe an der Blockierstelle. Hierbei können Schleifscheiben auch brechen.
 - Ein Rückschlag ist die Folge eines falschen oder fehlerhaften Gebrauchs des Elektrowerkzeugs. Er kann durch geeignete Vorsichtsmaßnahmen, wie nachfolgend beschrieben, verhindert werden.
- a) **Halten Sie das Elektrowerkzeug gut fest und bringen Sie Ihren Körper und Ihre Arme in eine Position, in der Sie die Rückschlagkräfte abfangen können. Verwenden Sie immer den Zusatzgriff, falls vorhanden, um die größtmögliche Kontrolle über Rückschlagkräfte oder Reaktionsmomente beim Hochlauf zu haben.** Die Bedienperson kann durch geeignete Vorsichtsmaßnahmen die Rückschlag- und Reaktionskräfte beherrschen.
- b) **Bringen Sie Ihre Hand nie in die Nähe sich drehendes Zubehör.** Das Zubehör kann sich beim Rückschlag über Ihre Hand bewegen.
- c) **Meiden Sie mit Ihrem Körper den Bereich, in den das Elektrowerkzeug bei einem Rückschlag bewegt wird.** Der Rückschlag treibt das Elektrowerkzeug in die Richtung entgegengesetzt zur Bewegung der Schleifscheibe an der Blockierstelle.
- d) **Arbeiten Sie besonders vorsichtig im Bereich von Ecken, scharfen Kanten usw. Verhindern Sie, dass Zubehör vom Werkstück zurückprallt und verklemt.** Das rotierende Zubehör neigt bei Ecken, scharfen Kanten oder wenn es abprallt, dazu, sich zu verklemmen. Dies verursacht einen Kontrollverlust oder Rückschlag.
- e) **Verwenden Sie kein Ketten- oder gezähntes Sägeblatt.** Solches Zubehör verursacht häufig einen Rückschlag oder den Verlust der Kontrolle über das Elektrowerkzeug.

ALLGEMEINES

- Dieses Werkzeug nur zum Trockenpolieren verwenden
- Nur die mit diesem Werkzeug mitgelieferten Flansche verwenden
- Der Benutzer dieses Werkzeuges sollte älter als 16 Jahre sein
- **Ziehen Sie grundsätzlich den Netzstecker, bevor Sie beliebige Änderungen an den Einstellungen oder einen Zubehörwechsel vornehmen**
- **Bearbeiten Sie kein asbesthaltiges Material** (Asbest gilt als krebserregend)

ZUBEHÖR

- SKIL kann nur dann die einwandfreie Funktion des Werkzeuges zusichern, wenn das entsprechende Zubehör verwendet wird, welches bei ihren Fachhändlern erhältlich ist
- Bei Verwendung von Fremdfabrikaten beim Zubehör bitte die Hinweise des Herstellers beachten

- Nur Zubehör verwenden, dessen zulässige Drehzahl mindestens so hoch ist wie die höchste Leerlaufdrehzahl des Werkzeuges
- Verwenden Sie niemals Zubehör mit geschlossenem Gewinde unter einer Größe von M14 x 21 mm
- Kein rissiges, verformtes oder vibrierendes Zubehör benutzen

ANWENDUNG IM FREIEN

- Bei Anwendung im Freien das Werkzeug über einen Fehlerstrom- (FI) Schutzschalter mit einem Auslösestrom von 30 mA max. anschließen, und nur ein Verlängerungskabel benutzen, das für die Anwendung im Freien vorgesehen und mit einer spritzwassergeschützten Anschlußstelle versehen ist

VOR DER ANWENDUNG

- Stets nachprüfen, daß die Netzspannung mit der auf dem Typenschild des Werkzeuges angegebenen Spannung übereinstimmt (mit 230V oder 240V beschriftete Werkzeuge können auch an 220V betrieben werden)
- Immer den Zusatzgriff A ③ oder B ③ anbringen; das Werkzeug nie ohne ihn verwenden
- Staub von Materialien wie Farbe, die Blei enthält, einigen Holzarten, Mineralien und Metall kann schädlich sein (Kontakt mit oder Einatmen des Staubs kann zu allergischen Reaktionen und/oder Atemwegserkrankungen beim Bediener oder Umstehenden führen); **tragen Sie eine Staubmaske und arbeiten Sie mit einem Staubabsaugungssystem, wenn ein solches angeschlossen werden kann**
- Bestimmte Arten von Staub sind als karzinogen klassifiziert (beispielsweise Eichen- und Buchenholzstaub), insbesondere in Verbindung mit Zusätzen für die Holzvorbehandlung; **tragen Sie eine Staubmaske und arbeiten Sie mit einem Staubabsaugungssystem, wenn ein solches angeschlossen werden kann**
- Beachten Sie die für Ihr verwendetes Verbrauchsmaterial gültigen nationalen Staubschutzvorgaben
- **Sichern Sie das Werkstück** (ein mit Spannvorrichtungen oder Schraubstock festgehaltenes Werkstück ist sicherer gehalten als mit der Hand)
- Das Werkzeug darf nicht in einen Schraubstock gespannt werden
- Bei Benutzung von Verlängerungskabeln ist darauf zu achten, daß das Kabel vollständig abgerollt ist und eine Kapazität von 16 A hat

WÄHREND DER ANWENDUNG

- Beim Arbeiten das Werkzeug immer mit beiden Händen festhalten und einen sicheren Stand einnehmen
- Das Kabel immer von umlaufenden Teilen des Werkzeuges fernhalten; das Kabel nach hinten vom Werkzeug weg führen
- Wird bei der Arbeit das Kabel beschädigt oder durchtrennt, Kabel nicht berühren, sondern sofort den Netzstecker ziehen
- Werkzeug nicht weiter verwenden, wenn das Kabel beschädigt ist; lassen Sie dieses von einem anerkannten Elektrofachmann ersetzen
- Bei elektrischer oder mechanischer Fehlfunktion das Werkzeug sofort ausschalten und den Netzstecker ziehen

- Bei Unterbrechung der Stromversorgung oder versehentlichem Ziehen des Netzsteckers Schalter H ③ loslassen um unkontrolliertes Wiederaanlaufen zu verhindern

NACH DER ANWENDUNG

- Sobald Sie sich von Ihrem Werkzeug entfernen, sollte dieses ausgeschaltet werden und sollten die sich bewegenden Teile vollkommen zum Stillstand gekommen sein
- Zubehör darf nach dem Ausschalten des Antriebes nicht durch seitliches Gegendrücken gebremst werden

BEDIENUNG

- Montieren der Zusatzgriffe ⑤
 - ! **Netzstecker ziehen**
 - Zusatzgriff A kann rechts oder links am Werkzeug angeschraubt werden (je nach auszuführender Arbeit)
 - Zusatzgriff B wie in der Abbildung anbringen und beide beigefügten Schrauben mit Sechskantschlüssel C anziehen
- Montieren des Zubehörs ③
 - ! **Netzstecker ziehen**
 - Spindel D und alle zu montierenden Teile reinigen
 - schrauben Sie den Schleifteller mit dem VELCRO-Klettgewebe E auf Spindel D, während Sie Spindelarretierungsknopf F drücken
 - ! **Spindelarretierungsknopf F nur dann drücken, wenn Spindel D stillsteht**
 - drücken Sie einfach Wollhaube G auf VELCRO-Schleifteller E
 - zum Entfernen des Zubehörs in umgekehrter Reihenfolge vorgehen
- Vor dem Gebrauch Ihres Werkzeuges
 - sicherstellen, daß das Zubehör richtig montiert und fest angezogen ist
 - den freien Lauf des montierten Zubehörs durch Drehen von Hand überprüfen
 - einen Probelauf vornehmen, bei dem Sie das Werkzeug in einer sicheren Position mindestens 30 Sekunden mit höchster Geschwindigkeit unbelastet laufen lassen
 - bei beträchtlichen Vibrationen oder anderen Defekten das Werkzeug sofort ausschalten und die mögliche Ursache herausfinden
- Ein/Aus
 - das Werkzeug wird durch Druck auf/Loslassen von Schalter H ③ ein-/ausgeschaltet
- Elektronischer Sanftanlauf

Sichert das Erreichen der Maximalgeschwindigkeit ohne den plötzlichen Ruck beim Einschalten des Werkzeuges
- Arretierung des Schalters für Dauerlauf
 - Schalter H drücken
 - Knopf J mit Ihrem Daumen drücken
 - lösen Sie die Feststellung durch wieder auf Schalter H zu drücken und diese dann loszulassen
- Drehzahlregelung ⑥
 - mit dem Rad K wird die Maximalgeschwindigkeit von niedrig bis hoch eingestellt (1-MAX)
 - Rad K in Position 1 (niedrigste Geschwindigkeit) einschalten

- bei Bedarf eine höhere Geschwindigkeit bei laufendem Werkzeug wählen
- die optimale Arbeitsgeschwindigkeit hängt vom Material ab und kann durch praktische Versuche festgestellt werden
- Bedienung des Werkzeuges
 - das Werkzeug einschalten
 - Werkzeug vollständig auf zu polierende Oberfläche setzen und gleichmäßig in Abschnitten darüber bewegen
 - ein Durchgang sollte den vorherigen um die Hälfte überlappen
 - auf keinen Fall in der Bewegung an einer Stelle innehalten, um Brandflecken auf der Beschichtung zu vermeiden
 - das Werkzeug nicht kreisförmig bewegen, um eine Fleckenbildung oder Brandflecken auf der Beschichtung zu vermeiden
 - ! **vor dem Ausschalten des Werkzeuges sollte dieses vom Werkstück abgenommen werden**
 - ! **nach dem Ausschalten des Werkzeuges dreht sich das Zubehör noch einige Sekunden weiter**
- Halten und Führen des Werkzeuges ⑦
 - ! **Werkzeug beim Arbeiten immer am grauen Griffbereich fassen**
 - halten Sie das Werkzeug mit beiden Händen fest, um es stets unter Kontrolle zu haben
 - auf sicheren Stand achten
 - ! **nicht soviel Druck auf das Werkzeug ausüben, daß es zum Stillstand kommt**
 - Lüftungsschlitze L ③ unbedeckt halten

WARTUNG / SERVICE

- Werkzeug vor Stoß-, Schlag- und Fetteinwirkung schützen
- Halten Sie Werkzeug und Kabel immer sauber (insbesondere die Lüftungsschlitze L ③)
 - ! **Netzstecker vor dem Säubern ziehen**
 - ! **versuchen Sie nicht zu reinigen indem Sie spitze Gegenstände durch die Lüftungsschlitze stecken**
- Sollte das Elektrowerkzeug trotz sorgfältiger Herstellungs- und Prüfverfahren einmal ausfallen, ist die Reparatur von einer autorisierten Kundendienststelle für SKIL-Elektrowerkzeuge ausführen zu lassen
 - das Werkzeug **unzerlegt**, zusammen mit dem Kaufbeleg, an den Lieferer oder die nächste SKIL-Vertragswerkstätte senden (die Adressen so wie die Ersatzteilzeichnung des Werkzeuges finden Sie unter www.skilmasters.com)

UMWELT

- **Elektrowerkzeuge, Zubehör und Verpackungen nicht in den Hausmüll werfen** (nur für EU-Länder)
 - gemäss Europäischer Richtlinie 2002/96/EG über Elektro- und Elektronik- Altgeräte und Umsetzung in nationales Recht müssen nicht mehr gebrauchsfähige Elektrowerkzeuge getrennt gesammelt und einer umweltgerechten Wiederverwertung zugeführt werden
 - hieran soll Sie Symbol ⑧ erinnern

KONFORMITÄTSERKLÄRUNG CE

- Wir erklären in alleiniger Verantwortung, daß das unter "Technische Daten" beschriebene Produkt mit den folgenden Normen oder normativen Dokumenten übereinstimmt: EN 60745, EN 61000, EN 55014, gemäß den Bestimmungen der Richtlinien 2004/108/EG, 2006/42/EG, 2011/65/EU
- **Technische Unterlagen bei:** SKIL Europe BV (PT-SEU/ENG1), 4825 BD Breda, NL

Marijn van der Hoofden
Operations & Engineering

Olaf Dijkgraaf
Approval Manager

SKIL Europe BV, 4825 BD Breda, NL

19.08.2013

GERÄUSCH/VIBRATION

- Gemessen gemäß EN 60745 beträgt der Schalldruckpegel dieses Gerätes 86 dB(A) und der Schalleistungspegel 97 dB(A) (Standardabweichung: 3 dB), und die Vibration $8,5 \text{ m/s}^2$ (Hand-Arm Methode; Unsicherheit $K = 1,5 \text{ m/s}^2$)
 - Die Vibrationsemissionsstufe wurde mit einem standardisierten Test gemäß EN 60745 gemessen; Sie kann verwendet werden, um ein Werkzeug mit einem anderen zu vergleichen und als vorläufige Beurteilung der Vibrationsexposition bei Verwendung des Werkzeugs für die angegebenen Anwendungszwecke
 - die Verwendung des Werkzeugs für andere Anwendungen und mit anderem oder schlecht gewartetem Zubehör kann die Expositionsstufe erheblich **erhöhen**
 - Zeiten, zu denen das Werkzeug ausgeschaltet ist, oder wenn es läuft aber eigentlich nicht eingesetzt wird, können die Expositionsstufe erheblich **verringern**
- ! schützen Sie sich vor den Auswirkungen der Vibration durch Wartung des Werkzeugs und des Zubehörs, halten Sie Ihre Hände warm und organisieren Sie Ihren Arbeitsablauf**

NL

Polijstmachine

9955

INTRODUCTIE

- Deze machine is bestemd voor het polijsten van metalen, kunststof en gecoate oppervlakken en voor het polijsten van stenen materialen zonder gebruik van water
- Lees en bewaar deze gebruiksaanwijzing ②

TECHNISCHE GEGEVENS ①

MACHINE-ELEMENTEN ③

- A Extra handgreep
- B Extra handgreep (type D)

- C Zeskantsleutel
- D As
- E Steunschijf (VELCRO)
- F Asvergrendelknop
- G Wollen vacht
- H Aan/uit schakelaar
- J Knop voor vergrendelen van aan/uit schakelaar
- K Instelwielje voor maximum-snelheid/koppel
- L Ventilatie-openingen

VEILIGHEID

ALGEMENE VEILIGHEIDSVORSCHRIFTEN

⚠ LET OP! Lees alle veiligheidswaarschuwingen en alle voorschriften. Als de waarschuwingen en voorschriften niet worden opgevolgd, kan dit een elektrische schok, brand of ernstig letsel tot gevolg hebben. **Bewaar alle waarschuwingen en voorschriften voor toekomstig gebruik.** Het in de waarschuwingen gebruikte begrip "elektrisch gereedschap" heeft betrekking op elektrische gereedschappen voor gebruik op het stroomnet (met netsnoer) en op elektrische gereedschappen voor gebruik met een accu (zonder netsnoer).

1) VEILIGHEID VAN DE WERKOMGEVING

- a) **Houd uw werkomgeving schoon en opgeruimd.** Een rommelige of onverlichte werkomgeving kan tot ongevallen leiden.
- b) **Werk met het gereedschap niet in een omgeving met explosiegevaar waarin zich brandbare vloeistoffen, gassen of stof bevinden.** Elektrische gereedschappen veroorzaken vonken die het stof of de dampen tot ontsteking kunnen brengen.
- c) **Houd kinderen en andere personen tijdens het gebruik van het elektrische gereedschap uit de buurt.** Wanneer u wordt afgeleid, kunt u de controle over het gereedschap verliezen.

2) ELEKTRISCHE VEILIGHEID

- a) **De aansluitstekker van het gereedschap moet in het stopcontact passen. De stekker mag in geen geval worden veranderd. Gebruik geen adapterstekkers in combinatie met gearde gereedschappen.** Onveranderde stekkers en passende stopcontacten beperken het risico van een elektrische schok.
- b) **Voorkom aanraking van het lichaam met gearde oppervlakken, bijvoorbeeld van buizen, verwarmingen, fornuizen en koelkasten.** Er bestaat een verhoogd risico door een elektrische schok wanneer uw lichaam geaard is.
- c) **Houd het gereedschap uit de buurt van regen en vocht.** Het binnendringen van water in het elektrische gereedschap vergroot het risico van een elektrische schok.
- d) **Gebruik de kabel niet voor een verkeerd doel, om het gereedschap te dragen of op te hangen of om de stekker uit het stopcontact te trekken. Houd de kabel uit de buurt van hitte, olie, scherpe randen en bewegende gereedschappdelen.** Beschadigde of in de war geraakte kabels vergroten het risico van een elektrische schok.

- e) **Wanneer u buitenshuis met elektrisch gereedschap werkt, dient u alleen verlengkabels te gebruiken die voor gebruik buitenshuis zijn goedgekeurd.** Het gebruik van een voor gebruik buitenshuis geschikte verlengkabel beperkt het risico van een elektrische schok.
- f) **Als het gebruik van het elektrische gereedschap in een vochtige omgeving onvermijdelijk is, dient u een aardlekschakelaar te gebruiken.** Het gebruik van een aardlekschakelaar vermindert het risico van een elektrische schok.

3) VEILIGHEID VAN PERSONEN

- a) **Wees alert, let goed op wat u doet en ga met verstand te werk bij het gebruik van het elektrische gereedschap. Gebruik het gereedschap niet wanneer u moe bent of onder invloed staat van drugs, alcohol of medicijnen.** Een moment van onoplettendheid bij het gebruik van het gereedschap kan tot ernstige verwondingen leiden.
- b) **Draag persoonlijke beschermende uitrusting en altijd een veiligheidsbril.** Het dragen van persoonlijke beschermende uitrusting zoals een stofmasker, slipvaste werkschoenen, een veiligheidshelm of gehoorbescherming, afhankelijk van de aard en het gebruik van het elektrische gereedschap, vermindert het risico van verwondingen.
- c) **Voorkom per ongeluk inschakelen. Controleer dat het elektrische gereedschap uitgeschakeld is voordat u de stekker in het stopcontact steekt of de accu aansluit en voordat u het gereedschap oppakt of draagt.** Wanneer u bij het dragen van het elektrische gereedschap uw vinger aan de schakelaar hebt of wanneer u het gereedschap ingeschakeld op de stroomvoorziening aansluit, kan dit tot ongevallen leiden.
- d) **Verwijder instelgereedschappen of schroefslutels voordat u het gereedschap inschakelt.** Een instelgereedschap of sleutel in een draaiend deel van het gereedschap kan tot verwondingen leiden.
- e) **Probeer niet ver te reiken. Zorg ervoor dat u stevig staat en steeds in evenwicht blijft.** Daardoor kunt u het gereedschap in onverwachte situaties beter onder controle houden.
- f) **Draag geschikte kleding. Draag geen loshangende kleding of sieraden. Houd haren, kleding en handschoenen uit de buurt van bewegende delen.** Loshangende kleding, sieraden en lange haren kunnen door bewegende delen worden meegenomen.
- g) **Wanneer stofzuigings- of stofopvangvoorzieningen kunnen worden gemonteerd, dient u zich ervan te verzekeren dat deze zijn aangesloten en juist worden gebruikt.** Het gebruik van een stofzuiging beperkt het gevaar door stof.

4) GEBRUIK EN ONDERHOUD VAN ELEKTRISCHE GEREEDSCHAPPEN

- a) **Overbelast het gereedschap niet. Gebruik voor uw werkzaamheden het daarvoor bestemde elektrische gereedschap.** Met het passende elektrische gereedschap werkt u beter en veiliger binnen het aangegeven capaciteitsbereik.
- b) **Gebruik geen elektrisch gereedschap waarvan de schakelaar defect is.** Elektrisch gereedschap dat niet

meer kan worden in- of uitgeschakeld, is gevaarlijk en moet worden gerepareerd.

- c) **Trek de stekker uit het stopcontact of neem de accu uit het elektrische gereedschap voordat u het gereedschap instelt, toebehoren wisselt of het gereedschap weglegt.** Deze voorzorgsmaatregel voorkomt onbedoeld starten van het gereedschap.
 - d) **Bewaar niet-gebruikte elektrische gereedschappen buiten bereik van kinderen. Laat het gereedschap niet gebruiken door personen die er niet mee vertrouwd zijn en deze aanwijzingen niet hebben gelezen.** Elektrische gereedschappen zijn gevaarlijk wanneer deze door onervaren personen worden gebruikt.
 - e) **Verzorg het gereedschap zorgvuldig. Controleer of bewegende delen van het gereedschap correct functioneren en niet vastklemmen en of onderdelen zodanig gebroken of beschadigd zijn dat de werking van het gereedschap nadelig wordt beïnvloed. Laat beschadigde delen repareren voordat u het gereedschap gebruikt.** Veel ongevallen hebben hun oorzaak in slecht onderhouden elektrische gereedschappen.
 - f) **Houd snijdende inzetgereedschappen scherp en schoon.** Zorgvuldig onderhouden snijdende inzetgereedschappen met scherpe snijkanten klemmen minder snel vast en zijn gemakkelijker te geleiden.
 - g) **Gebruik elektrische gereedschappen, toebehoren, inzetgereedschappen en dergelijke volgens deze aanwijzingen. Let daarbij op de arbeidsomstandigheden en de uit te voeren werkzaamheden.** Het gebruik van elektrische gereedschappen voor andere dan de voorziene toepassingen kan tot gevaarlijke situaties leiden.
- ### 5) SERVICE
- a) **Laat het gereedschap alleen repareren door gekwalificeerd en vakkundig personeel en alleen met originele vervangingsonderdelen.** Daarmee wordt gewaarborgd dat de veiligheid van het gereedschap in stand blijft.

VEILIGHEIDSinSTRUCTIES VOOR POLIJSTERS

1) VEILIGHEIDSVoORSCHRIFTEN VOOR ALLE TOEPASSINGEN

- a) **Dit elektrische gereedschap is bestemd voor gebruik als polijstmachine. Neem alle waarschuwingen, aanwijzingen, afbeeldingen en gegevens die u bij het elektrische gereedschap ontvangt in acht.** Als u de volgende aanwijzingen niet in acht neemt, kunnen een elektrische schok, brand en/of ernstig letsel het gevolg zijn.
- b) **Dit elektrische gereedschap moet niet worden gebruikt voor slijpen, schuren, draadborstelen of afsnijden.** Gebruik van het elektrische gereedschap voor toepassingen waarvoor het niet is ontworpen, kan gevaarlijk zijn en tot letsel leiden.
- c) **De polijstkap mag geen losse delen hebben, in het bijzonder geen losse bevestigingssnoeren. Maak de bevestigingssnoeren vast of kort deze in.** Losse, meedraaiende bevestigingssnoeren kunnen uw vingers meenemen of in het werkstuk vasthaken.
- d) **Gebruik uitsluitend toebehoren dat door de fabrikant speciaal voor dit elektrische gereedschap**

- is voorzien en geadviseerd.** Het feit dat u het toebehoren aan het elektrische gereedschap kunt bevestigen, waarborgt nog geen veilig gebruik.
- e) **Het toegestane toerental van het inzetgereedschap moet minstens zo hoog zijn als het maximale toerental dat op het elektrische gereedschap is aangegeven.** Toebehoren dat sneller draait dan is toegestaan, kan onherstelbaar worden beschadigd.
- f) **De buitendiameter en de dikte van het inzetgereedschap moeten overeenkomen met de maatgegevens van het elektrische gereedschap.** Inzetgereedschappen met onjuiste afmetingen kunnen niet voldoende afgeschermd of gecontroleerd worden.
- g) **Inzetgereedschappen met schroefdraadinzetstuk moeten nauwkeurig op de schroefdraad van de uitgaande as passen. De gatdiameter van met een flens gemonteerde inzetgereedschappen moet passen bij de opnamediameter van de flens.** Inzetgereedschappen die niet nauwkeurig op het elektrische gereedschap bevestigd worden, draaien ongelijkmatig, trillen sterk en kunnen tot verlies van de controle leiden.
- h) **Gebruik geen beschadigde inzetgereedschappen. Controleer voor het gebruik altijd inzetgereedschappen zoals slijpschijven op afsplinteringen en scheuren, steunschijven op scheuren of sterke slijtage en draadborstels op losse of gebroken draden. Als het elektrische gereedschap of het inzetgereedschap valt, dient u te controleren of het beschadigd is, of gebruik een onbeschadigd inzetgereedschap. Als u het inzetgereedschap hebt gecontroleerd en ingezet, laat u het elektrische gereedschap een minuut lang met het maximale toerental lopen. Daarbij dient u en dienen andere personen uit de buurt van het ronddraaiende inzetgereedschap te blijven.** Beschadigde inzetgereedschappen breken meestal gedurende deze testtijd.
- i) **Draag persoonlijke beschermende uitrusting ④. Gebruik afhankelijk van de toepassing een volledige gezichtsbescherming, oogbescherming of veiligheidsbril. Draag voor zover van toepassing een stofmasker, een gehoorbescherming, werkhandschoenen of een speciaal schort dat kleine slijp- en metaaldeeltjes tegenhoudt.** Uw ogen moeten worden beschermd tegen wegvliegende deeltjes die bij verschillende toepassingen ontstaan. Een stof- of adembeschermingsmasker moet het bij de toepassing ontstaande stof filteren. Als u lang wordt blootgesteld aan luid lawaai, kan uw gehoor worden beschadigd.
- j) **Let erop dat andere personen zich op een veilige afstand bevinden van de plaats waar u werkt. Iedereen die de werkomgeving betreedt, moet persoonlijke beschermende uitrusting dragen.** Brokstukken van het werkstuk of gebroken inzetgereedschappen kunnen wegvliegen en verwondingen veroorzaken, ook buiten de directe werkomgeving.
- k) **Houd de stroomkabel uit de buurt van draaiende inzetgereedschappen.** Als u de controle over het elektrische gereedschap verliest, kan de stroomkabel worden doorgesneden of meegenomen en uw hand of arm kan in het ronddraaiende inzetgereedschap terechtkomen.
- l) **Leg het elektrische gereedschap nooit neer voordat het inzetgereedschap volledig tot stilstand is gekomen.** Het draaiende inzetgereedschap kan in contact komen met het oppervlak, waardoor u de controle over het elektrische gereedschap kunt verliezen.
- m) **Laat het elektrische gereedschap niet lopen terwijl u het draagt.** Uw kleding kan door toevallig contact met het draaiende inzetgereedschap worden meegenomen en het inzetgereedschap kan zich in uw lichaam boren.
- n) **Reinig regelmatig de ventilatieopeningen van het elektrische gereedschap.** De motorventilator trekt stof in de behuizing en een sterke ophoping van metaalstof kan elektrische gevaren veroorzaken.
- o) **Gebruik het elektrische gereedschap niet in de buurt van brandbare materialen.** Vonken kunnen deze materialen ontsteken.
- p) **Gebruik geen inzetgereedschappen waarvoor vloeibare koelmiddelen vereist zijn.** Het gebruik van water of andere vloeibare koelmiddelen kan tot een elektrische schok leiden.
- ## 2) TERUGSLAG EN BIJBEHORENDE WAARSCHUWINGEN
- Terugslag is de plotselinge reactie als gevolg van een vasthakend of geblokkeerd draaiend inzetgereedschap, zoals een slijpschijf, steunschijf, draadborstel, enz. Vasthaken of blokkeren leidt tot abrupte stilstand van het ronddraaiende inzetgereedschap. Daardoor wordt een ongecontroleerd elektrisch gereedschap tegen de draairichting van het inzetgereedschap versneld op de plaats van de blokkering.
 - Als bijvoorbeeld een slijpschijf in het werkstuk vasthaakt of blokkeert, kan de rand van de slijpschijf die in het werkstuk invalt, zich vastgrijpen. Daardoor kan de slijpschijf uitbreken of een terugslag veroorzaken. De slijpschijf beweegt zich vervolgens naar de bediener toe of van de bediener weg, afhankelijk van de draairichting van de schijf op de plaats van de blokkering. Hierbij kunnen slijpschijven ook breken.
 - Een terugslag is het gevolg van het verkeerd gebruik of onjuiste gebruiksomstandigheden van het elektrische gereedschap. Terugslag kan worden voorkomen door geschikte voorzorgsmaatregelen, zoals hieronder beschreven.
- a) **Houd het elektrische gereedschap goed vast en breng uw lichaam en uw armen in een positie waarin u de terugslagkrachten kunt opvangen. Gebruik altijd de extra handgreep, indien aanwezig, om de grootste mogelijke controle te hebben over terugslagkrachten of reactiemomenten bij het op toeren komen.** De bediener kan door geschikte voorzorgsmaatregelen de terugslag- en reactiekrachten beheersen.
- b) **Breng uw hand nooit in de buurt van draaiende inzetgereedschappen.** Het inzetgereedschap kan bij de terugslag over uw hand bewegen.
- c) **Mijd met uw lichaam het gebied waarheen het elektrische gereedschap bij een terugslag wordt bewogen.** De terugslag drijft het elektrische gereedschap in de richting die tegengesteld is aan de

beweging van de slijpschijf op de plaats van de blokkering.

- d) **Werk bijzonder voorzichtig in de buurt van hoeken, scherpe randen, enz. Voorkom dat inzetgereedschappen van het werkstuk terugspringen en vastklemmen.** Het ronddraaiende inzetgereedschap neigt er bij hoeken, scherpe randen of wanneer het terugspringt toe om zich vast te klemmen. Dit veroorzaakt een controleverlies of terugslag.
- e) **Gebruik geen kettingblad of getand zaagblad.** Zulke inzetgereedschappen veroorzaken vaak een terugslag of het verlies van de controle over het elektrische gereedschap.

ALGEMEEN

- Gebruik deze machine alleen voor droog polijsten
- Gebruik alleen de bij deze machine geleverde flenzen/spanmoeren
- Deze machine mag niet worden gebruikt door personen onder de 16 jaar
- **Trek altijd de stekker uit het stopcontact voordat u een instelling verandert of een accessoire verwisselt**
- **Bewerk geen asbesthoudend materiaal** (asbest geldt als kankerverwekkend)

ACCESSOIRES

- SKIL kan alleen een correcte werking van de machine garanderen, indien de juiste accessoires worden gebruikt, die verkrijgbaar zijn bij de vakhandel
- Neem voor het monteren/gebruiken van niet-SKIL accessoires de instructies van de betreffende fabrikant in acht
- Gebruik alleen accessoires met een toegestaan toerental, dat minstens even hoog is als het hoogste onbelaste toerental van de machine
- Gebruik nooit accessoires met een "blind" gat, waarvan de schroefdraad kleiner is dan M14 x 21 mm
- Gebruik geen beschadigde, vervormde of trillende accessoires

GEbruik BUITENSHUIS

- Sluit uw machine, bij gebruik buitenshuis, aan via een aardlekschakelaar (FI) met maximaal 30 mA uitschakelstroom, en gebruik alleen voor buitenshuis gebruik goedgekeurde verlengsnoeren, voorzien van een spatwaterdichte contactstop

VOÓR GEbruik

- Controleer altijd het voltage, dat vermeld staat op het typeplaatje van de machine, overeenkomt met de netspanning (met 230V of 240V aangeduide machines kunnen ook op 220V aangesloten worden)
- Monteer altijd extra handgreep A ③ of B ③; gebruik de machine nooit zonder deze handgreep
- Stof van materiaal zoals loodhoudende verf, sommige houtsoorten, mineralen en metaal kunnen schadelijk zijn (contact met of inademing van de stof kan allergische reacties en/of ademhalingsziekten bij gebruiker of omstanders veroorzaken); **draag een stofmasker en werk met een stofopvang-voorziening als die kan worden aangesloten**
- Bepaalde soorten stof zijn geclassificeerd als kankerverwekkend (zoals stof van eiken en beuken), met name in combinatie met toevoegingsmiddelen voor

houtverzorging; **draag een stofmasker en werk met een stofopvang-voorziening als die kan worden aangesloten**

- Neem voor de door u te bewerken materialen de nationale voorschriften aangaande stofopvang in acht
- **Zet het werkstuk vast** (een werkstuk, dat is vastgezet met klemmen of in een bankschroef, zit steviger vast dan wanneer het met de hand wordt vastgehouden)
- Klem de machine niet vast in een bankschroef
- Gebruik volledig uitgerolde en veilige verlengsnoeren met een capaciteit van 16 Ampère

TIJDENS GEbruik

- Houd de machine tijdens het werken altijd stevig met beide handen vast en zorg ervoor, dat u stevig staat
- Houd het snoer altijd verwijderd van de bewegende delen van uw machine; richt het snoer naar achteren, van de machine weg
- Raak het snoer niet aan, als dit tijdens de werkzaamheden wordt beschadigd of doorgesneden, maar trek onmiddellijk de stekker uit het stopcontact
- Gebruik de machine niet, wanneer het snoer beschadigd is; laat dit door een erkende vakman vervangen
- In geval van elektrische of mechanische storing, de machine onmiddellijk uitschakelen en de stekker uit het stopcontact trekken
- Als de stroom is uitgevallen of de stekker per ongeluk uit het stopcontact wordt getrokken, schakelaar H ③ loslaten om ongecontroleerd herstarten te voorkomen

NA GEbruik

- Voordat u de machine wegzet, moet de motor uitgeschakeld zijn en alle bewegende delen tot stilstand zijn gekomen
- Na uitschakeling van uw machine, nooit een draaiend accessoire stoppen door er aan de zijkant iets tegenaan te drukken

GEbruik

- Monteren van extra handgrepen ⑤
 - ! **trek de stekker uit het stopcontact**
 - schroef zijhandgreep A aan de rechter- of linkerkant van de machine (afhankelijk van het werk dat gedaan moet worden)
 - monteer extra handgreep B zoals aangegeven en draai beide meegeleverde schroeven aan met zeskantsleutel C
- Monteren van accessoires ③
 - ! **trek de stekker uit het stopcontact**
 - maak as D en alle te monteren delen schoon
 - schroef VELCRO-steunschijf E op as D terwijl u op asvergrendelknop F drukt
 - ! **druk asvergrendelknop F alleen in, als as D volledig stilstaat**
 - druk eenvoudigweg wollen vacht G op VELCRO-steunschijf E
 - voor verwijderen van accessoires vice-versa handelen
- Voór gebruik van de machine
 - zorg ervoor, dat het accessoire correct gemonteerd en stevig vastgemaakt wordt
 - controleer, of het accessoire vrij loopt door het met de hand rond te draaien

- proefdraai de machine onbelast gedurende minstens 30 seconden op de hoogste snelheid in een veilige positie
 - stop onmiddellijk indien de machine hevig trilt, of bij andere defecten, en controleer de machine teneinde de oorzaak te vinden
 - Aan/uit
 - zet uw machine aan/uit door schakelaar H ③ in te drukken/los te laten
 - Electronisch geregelde langzame start
Laat het toerental van de machine langzaam oplopen, zonder dat men bij het inschakelen een reactiekracht waarneemt
 - Vastzetten van schakelaar voor continu gebruik
 - druk trekker H in
 - druk op knop J met uw duim
 - ontgrendel schakelaar door trekker H nog eens in te drukken en dan los te laten
 - Toerentalregeling ⑥
 - met wielte K kan een maximum-snelheid van laag tot hoog ingesteld worden (1-MAX)
 - start met wielte K in stand 1 (lage snelheid)
 - selecteer zo nodig een hogere snelheid terwijl de machine is ingeschakeld
 - de optimale werksnelheid is afhankelijk van het materiaal en kan proefondervindelijk worden vastgesteld
 - Werken met de machine
 - zet de machine aan
 - plaats de machine volledig op het te polijsten oppervlak en beweeg deze gelijkmatig per gedeelte
 - laat elke beweging de vorige beweging met de helft overlappen
 - stop niet op één plek om verbranden van de coating te voorkomen
 - beweeg de machine niet in cirkels om vlekken of verbranden van de coating te voorkomen
- ! voordat u de machine uitschakelt, dient u deze van het werkstuk op te lichten**
- ! het accessoire draait nog even door nadat de machine is uitgeschakeld**
- Vasthouden en leiden van de machine ⑦
 - ! houd de machine tijdens het werk altijd vast bij het(de) grijs-gekleurde greepvlak(ken)**
 - houd de machine altijd stevig met twee handen vast, zodat u deze altijd volledig onder controle hebt
 - zorg dat u stevig staat
 - ! belast de machine niet zó sterk, dat deze tot stilstand komt**
 - houd ventilatie-openingen L ③ onbedekt

ONDERHOUD / SERVICE

- Bescherm de machine tegen slagen, stoten, en vet
- Houd machine en snoer altijd schoon (met name de ventilatie-openingen L ③)
 - ! trek de stekker uit het stopcontact vóór het reinigen**
 - ! geen puntige voorwerpen door de ventilatie-openingen steken**
- Mocht het elektrische gereedschap ondanks zorgvuldige fabricage- en testmethoden toch defect raken, dient de reparatie te worden uitgevoerd door een erkende klantenservice voor SKIL elektrische gereedschappen

- stuur de machine **ongedemonteerd**, samen met het aankoopbewijs, naar het verkoopadres of het dichtstbijzijnde SKIL service-station (de adressen evenals de onderdeeltekening van de machine vindt u op www.skilmasters.com)

MILIEU

- **Geef electrisch gereedschap, accessoires en verpakkingen niet met het huisvuil mee** (alleen voor EU-landen)
 - volgens de Europese richtlijn 2002/96/EG inzake oude elektrische en elektronische apparaten en de toepassing daarvan binnen de nationale wetgeving, dient afgedankt electrisch gereedschap gescheiden te worden ingezameld en te worden afgevoerd naar een recycle-bedrijf, dat voldoet aan de geldende milieu-eisen
 - symbool ⑧ zal u in het afdankstadium hieraan herinneren

CONFORMITEITSVERKLARING CE

- Wij verklaren als alleen verantwoordelijke, dat het onder "Technische gegevens" beschreven product voldoet aan de volgende normen of normatieve documenten: EN 60745, EN 61000, EN 55014, overeenkomstig de bepalingen van de richtlijnen 2004/108/EG, 2006/42/EG, 2011/65/EU
- **Technisch dossier bij:** SKIL Europe BV (PT-SEU/ENG1), 4825 BD Breda, NL

Marijn van der Hoofden
Operations & Engineering

Olaf Dijkgraaf
Approval Manager



SKIL Europe BV, 4825 BD Breda, NL

19.08.2013

GELUID/VIBRATIE

- Gemeten volgens EN 60745 bedraagt het geluidsdrumniveau van deze machine 86 dB(A) en het geluidsvermogen-niveau 97 dB(A) (standaard deviatie: 3 dB), en de vibratie 8,5 m/s² (hand-arm methode; onzekerheid K = 1,5 m/s²)
- Het trillingsemissieniveau is gemeten in overeenstemming met een gestandaardiseerde test volgens EN 60745; deze mag worden gebruikt om twee machines met elkaar te vergelijken en als voorlopige beoordeling van de blootstelling aan trilling bij gebruik van de machine voor de vermelde toepassingen
 - gebruik van de machine voor andere toepassingen, of met andere of slecht onderhouden accessoires, kan het blootstellingsniveau aanzienlijk **verhogen**
 - wanneer de machine is uitgeschakeld of wanneer deze loopt maar geen werk verricht, kan dit het blootstellingsniveau aanzienlijk **reduceren**
- ! bescherm uzelf tegen de gevolgen van trilling door de machine en de accessoires te onderhouden, uw handen warm te houden en uw werkwijze te organiseren**

Poleringsmaskin

9955

INTRODUKTION

- Denna maskin är avsedd att polera metall-, plast- och belagda ytor samt stenmaterial utan att använda vatten
- Läs och spara denna instruktionsbok ②

TEKNISKA DATA ①

VERKTYGSELEMENT ③

- A Hjälpbandtag
- B Hjälpbandtag (typ D)
- C Sexkantssnyckel
- D Spindel
- E Underlagsplatta (VELCRO)
- F Spindellåsknapp
- G Ullhuva
- H Till/från strömbrytare
- J Låsknapp för strömbrytare
- K Ratt för justering av maximalvarvtalet
- L Ventilationsöppningar

SÄKERHET

ALLMÄNNA SÄKERHETSANVISNINGAR

⚠ OBS! Läs noga igenom alla anvisningar. Fel som uppstår till följd av att anvisningarna nedan inte följts kan orsaka elstöt, brand och/eller allvarliga kroppsskador.

Förvara alla varningar och anvisningar för framtida bruk. Nedan använt begrepp "elverktyg" hänför sig till nätdrivna elverktyg (med nätsladd) och till batteridrivna elverktyg (sladdlösa).

1) ARBETSPLATSSÄKERHET

- a) **Håll arbetsplatsen ren och välbelyst.** Oordning på arbetsplatsen eller dåligt belyst arbetsområde kan leda till olyckor.
- b) **Använd inte elverktyget i explosionsfarlig omgivning med brännbara vätskor, gaser eller damm.** Elverktygen alstrar gnistor som kan antända dammet eller gaserna.
- c) **Håll under arbetet med elverktyget barn och obehöriga personer på betryggande avstånd.** Om du störs av obehöriga personer kan du förlora kontrollen över elverktyget.

2) ELEKTRISK SÄKERHET

- a) **Elverktygets stickpropp måste passa till vägguttaget. Stickproppen får absolut inte förändras. Använd inte adapterkontakter tillsammans med skyddsjordade elverktyg.** Oförändrade stickproppar och passande vägguttag reducerar risken för elektriskt slag.
- b) **Undvik kroppskontakt med jordade ytor som t. ex. rör, värmeelement, spisar och kylskåp.** Det finns en större risk för elektriskt slag om din kropp är jordad.
- c) **Skydda elverktyget mot regn och väta.** Tränger vatten in i ett elverktyg ökar risken för elektriskt slag.

- d) **Missbruka inte nätsladden och använd den inte för att bära eller hänga upp elverktyget och inte heller för att dra stickproppen ur vägguttaget. Håll nätsladden på avstånd från värme, olja, skarpa kanter och rörliga maskindelar.** Skadade eller tilltrasslade ledningar ökar risken för elektriskt slag.
- e) **När du arbetar med ett elverktyg utomhus använd endast förlängningssladdar som är godkända för utomhusbruk.** Om en lämplig förlängningssladd för utomhusbruk används minskar risken för elektriskt slag.
- f) **Använd en jordfelsbrytare om det inte är möjligt att undvika elverktygets användning i fuktig miljö.** Genom att använda en jordfelsbrytare minskas risken för elstöt.

3) PERSONSÄKERHET

- a) **Var uppmärksam, kontrollera vad du gör och använd elverktyget med förnuft. Använd inte elverktyget när du är trött eller om du är påverkad av droger, alkohol eller mediciner.** Under användning av elverktyg kan även en kort ouppmärksamhet leda till allvarliga kroppsskador.
- b) **Bär alltid personlig skyddsutrustning och skyddsglasögon.** Användning av personlig skyddsutrustning som t. ex. dammfiltermask, halkfria säkerhetsskor, skyddshjälm och hörselskydd reducerar alltefter elverktygets typ och användning risken för kroppsskada.
- c) **Undvik oavsiktlig igångsättning. Kontrollera att elverktyget är fränkopplat innan du ansluter stickproppen till vägguttaget och/eller ansluter/tar bort batteriet, tar upp eller bär elverktyget.** Om du bär elverktyget med fingret på strömställaren eller ansluter påkopplat elverktyg till nätströmmen kan olycka uppstå.
- d) **Ta bort alla inställningsverktyg och skruvnycklar innan du kopplar på elverktyget.** Ett verktyg eller en nyckel i en roterande komponent kan medföra kroppsskada.
- e) **Överskatta inte din förmåga. Se till att du står stadigt och håller balansen.** I detta fall kan du lättare kontrollera elverktyget i oväntade situationer.
- f) **Bär lämpliga kläder. Bär inte löst hängande kläder eller smycken. Håll håret, kläderna och handskarna på avstånd från rörliga delar.** Löst hängande kläder, smycken och långt hår kan dras in av roterande delar.
- g) **Vid elverktyg med dammsugnings- och uppsamlingsutrustning kontrollera att anordningarna är rätt monterade och används på korrekt sätt.** Användning av dammsugning minskar de risker damm orsakar.

4) OMSORGSFULL HANTERING OCH ANVÄNDNING AV ELVERKTYG

- a) **Överbelasta inte elverktyget. Använd för aktuellt arbete avsett elverktyg.** Med ett lämpligt elverktyg kan du arbeta bättre och säkrare inom angivet effektområde.
- b) **Ett elverktyg med defekt strömställare får inte längre användas.** Ett elverktyg som inte kan kopplas in eller ur är farligt och måste repareras.
- c) **Dra stickproppen ur vägguttaget och/eller ta bort batteriet innan inställningar utförs, tillbehörsdelar byts ut eller elverktyget lagras.** Denna skyddsåtgärd förhindrar oavsiktlig inkoppling av elverktyget.

- d) Förvara elverktygen oåtkomliga för barn. Låt elverktyget inte användas av personer som inte är förtrogna med dess användning eller inte läst denna anvisning. Elverktygen är farliga om de används av oerfarna personer.
- e) Sköt elverktyget omsorgsfullt. Kontrollera att rörliga komponenter fungerar felfritt och inte kärvar, att komponenter inte brustit eller skadats; orsaker som kan leda till att elverktygets funktioner påverkas menligt. Låt skadade delar repareras innan elverktyget återanvänds. Många olyckor orsakas av dåligt skötta elverktyg.
- f) Håll skärverktygen skarpa och rena. Omsorgsfullt skötta skärverktyg med skarpa eggar kommer inte så lätt i kläm och går lättare att styra.
- g) Använd elverktyget, tillbehör, insatsverktyg osv. enligt dessa anvisningar. Ta hänsyn till arbetsvillkoren och arbetsmomenten. Används elverktyget på icke ändamålsenligt sätt kan farliga situationer uppstå.

5) SERVICE

- a) Låt elverktyget repareras endast av kvalificerad fackpersonal och med originalreservdelar. Detta garanterar att elverktygets säkerhet upprätthålls.

SÄKERHETSANVISNINGAR FÖR POLERINGSVERKTYG

1) SÄKERHETSANVISNINGAR FÖR ALLA ARBETEN

- a) Elverktyget är avsett att fungera som poleringsmaskin. Beakta alla säkerhetsanvisningar, anvisningar, illustrationer och data som levereras med elverktyget. Om nedanstående anvisningar ignoreras finns risk för att elstöt, brand och/eller allvarliga personskador uppstår.
- b) Elverktyget rekommenderas inte för slipning, stålborstning eller kapning. Åtgärder som elverktyget inte har konstruerats för kan skapa fara och orsaka personskador.
- c) Se till att inga lösa delar finns på polerhatten t.ex. fastspänningsband. Kläm in eller kapa fastspänningsbanden. Lösa roterande fastspänningsband kan gripa tag i fingren eller dras in i arbetsstycket.
- d) Använd inte tillbehör som tillverkaren inte uttryckligen godkänt och rekommenderat för detta elverktyg. Även om tillbehör kan fästas på elverktyget finns det ingen garanti för en säker användning.
- e) Insatsverktygets tillåtna varvtal måste åtminstone motsvara elverktygets angivna högsta varvtal. Tillbehör med en högre rotationshastighet kan förstöras.
- f) Insatsverktygets yttre diameter och tjocklek måste motsvara elverktygets dimensioner. Feldimensionerade insatsverktyg kan inte på betryggande sätt avskämmas och kontrolleras.
- g) Insatsverktyg med gänginsats måste passa exakt till slipspindelns gänga. Vid insatsverktyg som monteras med fläns måste insatsverktygets håldiameter passa till flänsens infästningsdiameter. Insatsverktyg som inte exakt passar till elverktyget roterar ojämnt, vibrerar kraftigt och kan leda till att du förlorar kontrollen över verktyget.

- h) Använd aldrig skadade insatsverktyg. Kontrollera före varje användning insatsverktygen som t.ex. slipskivor avseende splitterskador och sprickor, sliprindeller avseende sprickor, repor eller kraftig nedslitning, stålborstar avseende lösa eller brustna trådar. Om elverktyget eller insatsverktyget skulle falla ned kontrollera om skada uppstått eller montera ett oskadat insatsverktyg. Du och andra personer i närheten ska efter kontroll och montering av insatsverktyg stå utanför insatsverktygets rotationsradie; låt sedan elverktyget rotera en minut med högsta varvtal. Skadade insatsverktyg går i de flesta fall sönder vid denna provkörning.
- i) Använd personlig skyddsutrustning ④. Använd alltefter avsett arbete ansiktsskärm, ögonskydd eller skyddsglasögon. Om så behövs använd dammfiltermask, hörselskydd, skyddshandskar eller skyddsförkläde som skyddar mot utslungade slip- och materialpartiklar. Ögonen ska skyddas mot utslungade främmande partiklar som kan uppstå under arbetet. Damm- och andningsskydd måste kunna filtrera bort det damm som eventuellt uppstår under arbetet. Risk finns för hörselskada under en längre tids kraftigt buller.
- j) Se till att obehöriga personer hålls på betryggande avstånd från arbetsområdet. Alla som rör sig inom arbetsområdet måste använda personlig skyddsutrustning. Brottstycken från arbetsstycket eller insatsverktygen kan slungas ut och orsaka personskada även utanför arbetsområdet.
- k) Håll nätsladden på avstånd från roterande insatsverktyg. Om du förlorar kontrollen över elverktyget kan nätsladden kapas eller dras in varvid risk finns för att din hand eller arm dras mot det roterande insatsverktyget.
- l) Lägg aldrig bort elverktyget innan insatsverktyget stannat fullständigt. Det roterande insatsverktyget kan komma i beröring med underlaget varvid risk finns att du förlorar kontrollen över elverktyget.
- m) Elverktyget får inte rotera när det bärs. Kläder kan vid tillfällig kontakt med det roterande insatsverktyget dras in varvid insatsverktyget dras mot din kropp.
- n) Rengör regelbundet elverktygets ventilationsöppningar. Motorfläkten drar in damm i huset och en kraftig anhopning av metalldamm kan orsaka farliga elströmmar.
- o) Använd inte elverktyget i närheten av brännbara material. Risk finns för att gnistor antänder materialet.
- p) Använd inte insatsverktyg som kräver flytande kylmedel. Vatten eller andra kylvätskor kan medföra elstöt.

2) VARNING FÖR BAKSLAG

- Ett bakslag är en plötslig reaktion hos insatsverktyget när t.ex. slipskivan, sliprindellen, stålborsten hakar upp sig eller blockerar. Detta leder till abrupt uppbromsning av det roterande insatsverktyget. Härvid accelererar ett okontrollerat elverktyg mot insatsverktygets rotationsriktning vid inklämningsstället.
- Om t.ex. en slipskiva hakar upp sig eller blockerar i arbetsstycket kan slipskivans kant i arbetsstycket klämmas fast varvid slipskivan bryts sönder eller orsakar bakslag. Slipskivan rör sig nu mot eller bort från användaren beroende på skivans rotationsriktning vid

inklänningsstället. Härvid kan slipskivan även brytas sönder.

- Bakslag uppstår till följd av missbruk eller felaktig hantering av elverktyget. Detta kan undvikas genom skyddsåtgärder som beskrivs nedan.
- a) **Håll stadigt i elverktyget samt kroppen och armarna i ett läge som är lämpligt för att motstå bakslagskrafter. Använd alltid stödhandtaget för bästa möjliga kontroll av bakslagskrafter och reaktionsmoment vid start.** Användaren kan genom lämpliga försiktighetsåtgärder bättre behärska bakslags- och reaktionskrafterna.
- b) **Håll alltid handen på betryggande avstånd från det roterande insatsverktyget.** Insatsverktyget kan vid ett bakslag gå mot din hand.
- c) **Undvik att hålla kroppen inom det område elverktyget vid ett bakslag rör sig.** Bakslaget kommer att driva elverktyget i motsatt riktning till slipskivans rörelse vid inklänningsstället.
- d) **Var särskilt försiktig vid bearbetning av hörn, skarpa kanter osv. Håll emot så att insatsverktyget inte studsar ut från arbetsstycket eller kommer i kläm.** På hörn, skarpa kanter eller vid studsning tenderar det roterande insatsverktyget att komma i kläm. Detta kan leda till att kontrollen förloras eller att bakslag uppstår.
- e) **Använd aldrig kedje- eller tandade sågklingor.** Dessa insatsverktyg orsakar ofta ett bakslag eller förlust av kontrollen över elverktyget.

ALLMÄNT

- Använd denna maskin endast för torr polering
- Använd endast de flansar som medföljer maskinen
- Den här maskinen ska inte användas av personer under 16 år
- **Dra alltid ur stickkontakten från väggurtaget innan du gör någon justering eller byter tillbehör**
- **Asbesthaltigt material får inte bearbetas** (asbest anses vara cancerframkallande)

TILLBEHÖR

- SKIL kan endast garantera att maskinen fungerar felfritt om rätt tillbehör används som du kan köpa hos närmaste SKIL-återförsäljare
- Vid montering av tillbehör från andra tillverkare än SKIL skall anvisningarna från vederbörande tillverkare följas
- Använd endast tillbehör vilkas tillåtna varvtal åtminstone motsvarar maskinens högsta tomgångsvarvtal
- Använd aldrig tillbehör med ett "blint" gängat hål som är mindre än M14 x 21 mm
- Använd inte skadade, deformerade eller vibrerande tillbehör

ANVÄNDNING UTMOMHUS

- Om maskinen används utomhus skall den vara ansluten till en jordfelsbrytare (FI) på högst 30 mA; använd bara en förlängningskabel avsedd för utomhusbruk och utrustad med en stänkskyddad kontakt

FÖRE ANVÄNDNINGEN

- Kontrollera alltid att den tillförda strömtypen stämmer med spänningen som anges på maskinens märkplåt (maskiner med beteckningen 230V eller 240V kan även anslutas till 220V)
- Montera alltid extrahandtaget A ③ eller B ③; använd aldrig verktyget utan det

- Viss typ av damm, exempelvis färg som innehåller bly, vissa träsorter, mineraler och metaller kan vara hälsovådliga om de inhaleras (hudkontakt eller inhalering kan ge allergisk reaktion och/eller luftvägsproblem/ sjukdom hos personer i närheten); **använd andningsskydd och arbeta med en dammuppsamlare om sådan anslutning finns**
- Vissa typer av damm är klassificerade så som carcinogena (t.ex. ek- och björkdamm) särskilt i kombination med tillsatser för träbehandling; **använd andningsskydd och arbeta med en dammuppsamlare om sådan anslutning finns**
- Följ de nationella krav, som finns angående damm, för de material du skall arbeta med
- **Sätt fast arbetsstycket** (ett arbetsstycke fastsatt med skruvtingar eller i ett skruvstöd är mera stabilt än om det hålls fast för hand)
- Spänn inte fast maskinen i ett stöd
- Använd helt uttrulade och säkra förlängningskabelar med kapacitet på 16 A

UNDER ANVÄNDNINGEN

- Vid arbete håll alltid maskinen stadigt med båda händerna och se till att du står stadigt
- Håll alltid sladden på säkert avstånd från rörliga maskindelar; för sladden bakåt bort från maskinen
- Skadas eller kapas nåtsladden under arbetet, för inte vid sladden utan dra genast ut stickkontakten
- Använd ej maskinen om sladden är trasig; låt den byta ut av en kvalificerad person
- I händelse av onormala elektriska eller mekaniska störningar, stäng genast av maskinen och dra ur stickkontakten
- Om det blir strömavbrott eller kontakten dras ut av misstag skall brytaren H ③ släppas upp, så att maskinen inte kan starta upp igen obehåvet

EFTER ANVÄNDNINGEN

- Innan du ställer från dig maskinen måste du stänga av motorn och se till att alla rörliga delar har stannat helt
- Få aldrig tillbehöret att sluta rotera genom att utöva kraft på det från sidan efter det att maskinen har stängts av

ANVÄNDNING

- Montering av extrahandtag ⑤
 - ! **drag ur stickkontakten**
 - skruva extrahandtaget A på maskinens högra eller vänstra sida (beroende på arbetet som skall utföras)
 - montera extrahandtaget B enligt bilden och dra åt båda de medföljande skruvarna med sexkantnyckeln C
- Montering av tillbehör ③
 - ! **drag ur stickkontakten**
 - gör ren spindeln D och alla delar som skall monteras
 - skruva fast underlagsplattan av kardborrematerial E på spindeln D och tryck samtidigt på spindelns låsknapp F
 - ! **tryck bara på spindellåsknappen F när spindeln D står stilla**
 - tryck på ullhuvun G på underlagsplattan av kardborrematerial E
 - för borttagning av tillbehör utförs förfarandet i omvänd ordning

- Före användning av maskinen
 - försäkra dig om att tillbehöret är korrekt monterat och ordentligt åtskruvat
 - kontrollera att tillbehöret rör sig obehindrat genom att vrida det för hand
 - testkör maskinen i minst 30 sekunder på maximalt tillåtna obelastade varvtal i en säker position
 - stanna omedelbart maskinen vid kraftig vibration eller om andra fel uppstått och kontrollera maskinen för att bedöma orsaken
- Till/från
 - starta/stäng av maskinen genom att trycka in/släppa på avtryckaren H ③
- Elektronisk mjukstart

För att mjukt och jämnt nå fram till maximalhastighet utan att maskinen rycker till när den startas
- Låsning av strömbrytare för kontinuerlig drift
 - tryck in avtryckaren H
 - tryck in knappen J med tummen
 - koppla ur låsningen genom att trycka in avtryckaren H en gång till och sedan släppa den igen
- Hastighetskontroll ⑥
 - med ratten K kan maximalvarvtalet justeras steglöst från lågt till högt (1-MAX)
 - starta med ratten K i position 1 (lägre varvtal)
 - välj ett högre varvtal vid behov när verktyget körs
 - bästa arbetshastighet är beroende på materialet och kan bäst avgöras genom att prova sig fram
- Användning av maskinen
 - starta maskinen
 - placera verktyget helt på ytan som ska poleras och flytta det i jämn takt sektion för sektion
 - en rörelse ska överlappa den tidigare till hälften
 - stoppa inte på en enda punkt för att förhindra att beläggningen bränns
 - rör inte verktyget i cirklar för att undvika att fläcka eller bränna beläggningen
- ! **maskinen skall tas bort från arbetsstycket innan den stängs av**
- ! **tillbehöret fortsätter att rotera en kort stund efter att maskinen stängts av**
- Fattning och styrning av maskinen ⑦
 - ! **under arbetet, håll alltid verktyget i det grå greppet**
 - håll alltid stadigt i maskinen med båda händerna, så att du hela tiden har full kontroll över maskinen
 - se till att du står stadigt
 - ! **utöva inte så mycket tryck på maskinen att den stannar**
 - håll ventilationsöppningarna L ③ ej övertäckta

UNDERHÅLL / SERVICE

- Skydda maskinen från slag, stötar och fett
- Håll alltid din maskin och sladden ren (speciellt ventilationsöppningarna L ③)
 - ! **drag ur stickkontakten innan rengöring**
 - ! **rengöring får ej göras genom att föra spetsiga föremål genom ventilationsöppningarna**
- Om i elverktyget trots exakt tillverkning och sträng kontroll störning skulle uppstå, bör reparation utföras av auktoriserad serviceverkstad för SKIL elverktyg

- sänd in verktyget i **odemonterat skick** tillsammans med inköpsbevis till försäljaren eller till närmaste SKIL serviceverkstad (adresser till servicestationer och sprängskisser av maskiner finns på www.skilmasters.com)

MILJÖ

- **Elektriska verktyg, tillbehör och förpackning får inte kastas i hushållssoporna** (gäller endast EU-länder)
 - enligt direktivet 2002/96/EG som avser äldre elektrisk och elektronisk utrustning och dess tillämpning enligt nationell lagstiftning ska uttjänta elektriska verktyg sorteras separat och lämnas till miljövänlig återvinning
 - symbolen ⑧ kommer att påminna om detta när det är tid att kassera

FÖRSÄKRAN OM ÖVERENSSTÄMMELSE CE

- Vi försäkrar härmed under exklusivt ansvar att denna produkt som beskrivs i "Tekniska data" överensstämmer med följande normer eller normativa dokument: EN 60745, EN 61000, EN 55014, enligt bestämmelserna i direktiven 2004/108/EG, 2006/42/EG, 2011/65/EU
- **Teknisk tillverkningsdokumentation finns hos:** SKIL Europe BV (PT-SEU/ENG1), 4825 BD Breda, NL

Marijn van der Hoofden Olaf Dijkgraaf
Operations & Engineering Approval Manager




SKIL Europe BV, 4825 BD Breda, NL

19.08.2013

LJUD/VIBRATION

- Ljudtrycksnivån som uppmätts enligt EN 60745 är på denna maskin 86 dB(A) och ljudeffektnivån 97 dB(A) (standard deviation: 3 dB), och vibration 8,5 m/s² (hand-arm metod; onoggrannhet K = 1,5 m/s²)
- Vibrationsemissionsvärdet har uppmätts enligt ett standardiserat test i enlighet med EN 60745; detta värde kan användas för att jämföra vibrationen hos olika verktyg och som en ungefärlig uppskattning av hur stor vibration användaren utsätts för när verktyget används enligt det avsedda syftet
 - om verktyget används på ett annat än det avsedda syftet eller med fel eller dåligt underhållna tillbehör kan detta drastiskt **öka** vibrationsnivån
 - när verktyget stängs av eller är på men inte används, kan detta avsevärt **minska** vibrationsnivån
- ! **skydda dig mot vibration genom att underhålla verktyget och dess tillbehör, hålla händerna varma och styra upp ditt arbetssätt**

Poleremaskine

9955

INLEDNING

- Dette værktøj er beregnet til at polere metal, plastik og coatede overflader samt til at polere stenmaterialer uden brug af vand
- Læs og gem denne betjeningsvejledning ②

TEKNISKE DATA ①

VÆRKTØJETS DELE ③

- A Støtthåndtag
- B Støtthåndtag (type D)
- C Sekskantnøgle
- D Spindel
- E Sål (VELCRO)
- F Spindellåseknop
- G Uldhætte
- H Tænd/sluk afbryder
- J Knap til fastlåsning af tænd/sluk afbryderen
- K Hjul til justering af maximal-hastighed
- L Ventilationshuller

SIKKERHED

GENERALE SIKKERHEDSINSTRUKSER

⚠ VIGTIGT! Læs alle advarsels-henvisninger og instrukser. I tilfælde af manglende overholdelse af advarsels-henvisningerne og instrukserne er der risiko for elektrisk stød, brand og/eller alvorlige kvæstelser. **Opbevar alle advarsels-henvisninger og instrukser til senere brug.** Det i advarsels-henvisningerne benyttede begreb "el værktøj" refererer til netdrevet el værktøj (med netkabel) og akkudrevet el værktøj (uden netkabel).

1) SIKKERHED PÅ ARBEJDSPLADSEN

- a) **Sørg for, at arbejdsområdet er rent og ryddeligt.** Uorden eller uoplyste arbejdsområder øger faren for uheld.
- b) **Brug ikke maskinen i eksplosionsfarlige omgivelser, hvor der er brændbare væsker, gasser eller støv.** El-værktøj kan slå gnister, der kan antænde støv eller dampe.
- c) **Sørg for, at andre personer og ikke mindst børn holdes væk fra arbejdsområdet, når maskinen er i brug.** Hvis man distraheres, kan man miste kontrollen over maskinen.

2) ELEKTRISK SIKKERHED

- a) **Maskinens stik skal passe til kontakten. Stikket må under ingen omstændigheder ændres. Brug ikke adapterstik sammen med jordforbundne maskiner.** Uændrede stik, der passer til kontakterne, nedsætter risikoen for elektrisk stød.
- b) **Undgå kropskontakt med jordforbundne overflader som f.eks. rør, radiatorer, komfurer og køleskabe.** Hvis din krop er jordforbundet, øges risikoen for elektrisk stød.

- c) **Maskinen må ikke udsættes for regn eller fugt.** Indtrængning af vand i maskinen øger risikoen for elektrisk stød.
 - d) **Brug ikke ledningen til formål, den ikke er beregnet til (f.eks. må man aldrig bære maskinen i ledningen, hænge maskinen op i ledningen eller rykke i ledningen for at trække stikket ud af kontakten).** **Beskyt ledningen mod varme, olie, skarpe kanter eller maskindele, der er i bevægelse.** Beskadigede eller udviklede ledninger øger risikoen for elektrisk stød.
 - e) **Hvis maskinen benyttes i det fri, må der kun benyttes en forlængerledning, der er godkendt til udendørs brug.** Brug af forlængerledning til udendørs brug nedsætter risikoen for elektrisk stød.
 - f) **Hvis det ikke kan undgås at bruge maskinen i fugtige omgivelser, skal der bruges et HFI-relæ.** Brug af et HFI-relæ reducerer risikoen for at få elektrisk stød.
- #### 3) PERSONLIG SIKKERHED
- a) **Det er vigtigt at være opmærksom, se, hvad man laver, og bruge maskinen fornuftigt. Man bør ikke bruge maskinen, hvis man er træt, har nydt alkohol eller er påvirket af medicin eller euforiserende stoffer.** Få sekunders uopmærksomhed ved brug af maskinen kan føre til alvorlige personskader.
 - b) **Brug beskyttelsesudstyr og hav altid beskyttelsesbriller på.** Brug af sikkerhedsudstyr som f. eks. støvmaske, skridsikkert fodtøj, beskyttelseshjelm eller høreværn afhængig af maskintype og anvendelse nedsætter risikoen for personskader.
 - c) **Undgå utilsigtet igangsætning. Kontrollér, at el værktøjet er slukket, før du tilslutter det til strømtilførslen og/eller akkuen, løfter eller bærer det.** Undgå at bære el værktøjet med fingeren på afbryderen og sørg for, at el værktøjet ikke er tændt, når det slutes til nettet, da dette øger risikoen for personskader.
 - d) **Fjern indstillingsværktøj eller skruenøgle, inden maskinen tændes.** Hvis et stykke værktøj eller en nøgle sidder i en roterende maskindel, er der risiko for personskader.
 - e) **Overvurder ikke dig selv. Sørg for at stå sikkert, mens der arbejdes, og kom ikke ud af balance.** Det er derved nemmere at kontrollere maskinen, hvis der skulle opstå uventede situationer.
 - f) **Brug egnet arbejdstøj. Undgå løse beklædningsgenstande eller smykker. Hold hår, tøj og handsker væk fra dele, der bevæger sig.** Dele, der er i bevægelse, kan gribe fat i løstsiddende tøj, smykker eller langt hår.
 - g) **Hvis støvudsugnings- og opsamlingsudstyr kan monteres, er det vigtigt, at dette tilsluttes og benyttes korrekt.** Brug af en støvopsugning nedsætter risikoen for personskader som følge af støv.
- #### 4) OMHYGGEJG OMGANG MED OG BRUG AF EL-VÆRKTØJ
- a) **Undgå overbelastning af maskinen. Brug altid en maskine, der er beregnet til det stykke arbejde, der skal udføres.** Med den rigtige maskine arbejder man bedst og mest sikkert inden for det angivne effektområde.

- b) **Brug ikke en maskine, hvis afbryder er defekt.** En maskine, der ikke kan startes og stoppes, er farlig og skal repareres.
 - c) **Træk stikket ud af stikkontakten og/eller fjern akkuen, inden maskinen indstilles, der skiftes tilbehørsdele, eller maskinen lægges fra.** Disse sikkerhedsforanstaltninger forhindrer utilsigtet start af maskinen.
 - d) **Opbevar ubenyttet el-værktøj uden for børns rækkevidde. Lad aldrig personer, der ikke er fortrolige med maskinen eller ikke har gennemlæst disse instrukser, benytte maskinen.** El-værktøj er farligt, hvis det benyttes af ukyndige personer.
 - e) **Maskinen bør vedligeholdes omhyggeligt. Kontroller, om bevægelige dele fungerer korrekt og ikke sidder fast, og om delene er brækket eller beskadiget, således at maskinens funktion påvirkes. Få beskadigede dele repareret, inden maskinen tages i brug.** Mange uheld skyldes dårligt vedligeholdte maskiner.
 - f) **Sørg for, at skæreværktøjer er skarpe og rene.** Omhyggeligt vedligeholdte skæreværktøjer med skarpe skærekanter sætter sig ikke så hurtigt fast og er nemmere at føre.
 - g) **Brug el-værktøj, tilbehør, indsatsværktøj osv. iht. disse instrukser. Tag hensyn til arbejdsforholdene og det arbejde, der skal udføres. I tilfælde af anvendelse af værktøjet til formål, som ligger uden for det fastsatte anvendelsesområde, kan der opstå farlige situationer.**
- 5) SERVICE**
- a) **Sørg for, at maskinen kun repareres af kvalificerede fagfolk, og at der kun benyttes originale reservedele.** Dermed sikres størst mulig maskinsikkerhed.

SIKKERHEDSINSTRUKSER FOR POLEREMASKINE

1) SIKKERHEDSINSTRUKSER FOR ALLE ARBEJDE

- a) **Dette el-værktøj kan anvendes som poleremaskine. Læs og overhold alle advarsler, instruktioner, illustrationer og data, som du modtager i forbindelse med el-værktøjet.** Overholder du ikke følgende instruktioner, kan du få elektrisk stød, der kan opstå brand og /eller du kan blive kvæstet alvorligt.
- b) **Dette elektriske værktøj anbefales ikke til slibning, finslibning, stålborstning eller skæring.** Hvis man anvender det elektriske værktøj til andet end det beregnede formål, kan der opstå fare og personskade.
- c) **Undgå løse dele på poleringshætten, især fastgørelsesnøre. Afkort fastgørelsesnøre eller gem dem væk.** Løse, meddrejende fastgørelsesnøre kan gribe fat i dine fingre eller sætte sig fast i emnet.
- d) **Anvend kun tilbehør, hvis det er beregnet til dette el-værktøj og anbefalet af fabrikanten.** En mulig fastgørelse af tilbehøret til el-værktøjet sikrer ikke en sikker anvendelse.
- e) **Den tilladte hastighed for indsatsværktøjet skal mindst være så høj som den max. hastighed, der er angivet på el-værktøjet.** Tilbehør, der drejer hurtigere end tilladt, kan blive ødelagt.
- f) **Indsatsværktøjets udvendige diameter og tykkelse skal svare til målene på dit el-værktøj.** Forkert målte

indsatsværktøjer kan ikke afskærmes eller kontrolleres tilstrækkeligt.

- g) **Indsatsværktøj med gevindindsats skal passe nøjagtigt på slibespindlens gevind. Ved indsatsværktøj, der monteres med en flange, skal indsatsværktøjets huldiameter passe til flangens holdediameter.** Indsatsværktøj, der ikke fastgøres nøjagtigt på el-værktøjet, drejer ujævnt, vibrerer meget stærkt og kan medføre, at man taber kontrollen.
- h) **Brug ikke el-værktøjet, hvis det er beskadiget.**
- h) **Kontrollér altid før brug indsatsværktøj som f.eks. slibeskiver for afsplintninger og revner, slibebagskiver for revner, slid eller stærkt slid, trådbørster for løse eller brækkede tråde. Tabes el-værktøjet eller indsatsværktøjet på jorden, skal du kontrollere, om det er beskadiget; anvend evt. et ubeskadiget indsatsværktøj. Når indsatsværktøjet er kontrolleret og indsat, skal du holde dig selv og personer, der befinder sig i nærheden, uden for det niveau, hvor indsatsværktøjet roterer, og lad el-værktøjet køre i et minut ved højeste hastighed.** Beskadiget indsatsværktøj brækker for det meste i denne testtid.
- i) **Brug personligt beskyttelsesudstyr ④. Brug helmaske til ansigtet, øjenværn eller beskyttelsesbriller, afhængigt af det udførte arbejde. Brug afhængigt af arbejdets art støvmaske, høreværn, beskyttelseshandsker eller specialforklæde, der beskytter dig mod små slibe- og materialepartikler. Øjenene skal beskyttes mod fremmede genstande, der flyver rundt i luften og som opstår i forbindelse med forskelligt arbejde. Støv- eller åndedrætsmaske skal filtrere det støv, der opstår under arbejdet. Udsættes du for høj støj i længere tid, kan du lide høretab.**
- j) **Sørg for tilstrækkelig afstand til andre personer under arbejdet. Enhver, der betræder arbejdsområdet, skal bruge personligt beskyttelsesudstyr.** Brudstykker fra emnet eller brækkede indsatsværktøjer kan flyve væk og føre til kvæstelser også uden for det direkte arbejdsområde.
- k) **Hold netkablet væk fra roterende indsatsværktøj.** Taber du kontrollen over el-værktøjet, kan netkablet skæres over eller rammes, og din hånd eller din arm kan trækkes ind i det roterende indsatsværktøj.
- l) **Læg aldrig el-værktøjet til side, før indsatsværktøjet står helt stille.** Det roterende indsatsværktøj kan komme i kontakt med fralægningsfladen, hvorved du kan tabe kontrollen over el-værktøjet.
- m) **Lad ikke el-værktøjet køre, mens det bæres.** Dit tøj kan blive fanget ved en tilfældig kontakt med det roterende indsatsværktøj, hvorved indsatsværktøjet kan bore sig ind i din krop.
- n) **Rengør ventilationsåbningerne på dit el-værktøj med regelmæssige mellemrum.** Motoren trækker støv ind i huset, og store mængder metalstøv kan være farligt rent elektrisk.
- o) **Brug ikke el-værktøjet i nærheden af brændbare materialer.** Gnister kan sætte ild i materialer.
- p) **Brug ikke indsatsværktøj, der transporterer flydende kølemiddel.** Brug af vand eller andre flydende kølemidler kan føre til elektrisk stød.

2) TILBAGESLAG OG TILSVARENDE ADVARSLER

- Tilbageslag er en pludselig reaktion, som skyldes, at et roterende indsatsværktøj (slibemaskine, slibebagskive, trædbørste osv.) har sat sig fast eller blokerer. Fastsættelse eller blokering fører til et pludseligt stop af det roterende indsatsværktøj. Derved accelererer et ukontrolleret el-værktøj mod indsatsværktøjets drejeretning på blokeringsstedet.
 - Sidder f.eks. en slibeskive fast eller blokerer i et emne, kan kanten på slibeskiven, der dykker ned i emnet, blive siddende, hvorved slibeskiven brækker af eller fører til et tilbageslag. Slibeskiven bevæger sig så hen imod eller væk fra betjeningspersonen, afhængigt af skivens drejeretning på blokeringsstedet. I denne forbindelse kan slibeskiver også brække.
 - Et tilbageslag skyldes forkert eller fejlbehæftet brug af el-værktøjet. Det kan forhindres ved at træffe egnede forsigtighedsforanstaltninger, der beskrives i det følgende.
- a) **Hold godt fast i el-værktøjet og sørg for at både krop og arme befinder sig i en position, der kan klare tilbageslagskræfterne. Anvend altid ekstrahåndtaget, hvis et sådant findes, for at have så meget kontrol som muligt over tilbageslagskræfterne eller reaktionsmomenterne, når maskinen kører op i hastighed.** Betjeningspersonen kan beherske tilbageslags- og reaktionskræfterne med egnede forsigtighedsforanstaltninger.
- b) **Sørg for at din hånd aldrig kommer i nærheden af de roterende indsatsværktøjer.** Indsatsværktøjet kan bevæge sig hen over din hånd i forbindelse med et tilbageslag.
- c) **Undgå at din krop befinder sig i det område, hvor el-værktøjet bevæger sig i forbindelse med et tilbageslag.** Tilbageslaget driver el-værktøjet i modsat retning af slibeskivens bevægelse på blokeringsstedet.
- d) **Arbejd særlig forsigtig i områder som f.eks. hjørner, skarpe kanter osv. Forhindre at indsatsværktøjer slår tilbage fra emnet og sætter sig fast.** Det roterende indsatsværktøj har tendens til at sætte sig fast, når det anvendes i hjørner, skarpe kanter eller hvis det springer tilbage. Dette medfører, at man taber kontrollen eller til tilbageslag.
- e) **Brug ikke kædesavklinger eller tandede savklinger.** Sådan indsatsværktøj fører hyppigt til tilbageslag eller at man taber kontrollen over el-værktøjet.

GENERELT

- Anvend kun dette værktøj til tør polering
- Anvend kun flangerne, der leveres med dette værktøj
- Dette værktøj må ikke bruges af personer under 16 år
- **Fjern altid først stikket fra kontakten, før De foretager nogle ændringer eller skifter tilbehør**
- **Bearbejd ikke asbestholdigt materiale** (asbest er kræftfremkaldende)

TILBEHØR

- SKIL kan kun sikre en korrekt funktion af værktøjet, hvis der benyttes den rigtige tilbehør, som kan fås hos SKIL-forhandleren

- Ved montering/anvendelse af tilbehør, der ikke er fremstillet af SKIL, skal den pågældende producents instruktioner overholdes nøje
- Der må kun benyttes tilbehør, hvis godkendte omdrejningstal er mindst så højt som værktøjets max. omdrejningstal i ubelastet tilstand
- Brug aldrig tilbehør med et "blindt" gevindhul, der er mindre end M14 x 21 mm
- Anvend aldrig beskadigede, deformerede eller vibrerende tilbehør

UDENDØRS BRUG

- Når værktøjet anvendes udendørs, skal det forbindes via en fejlstrømsafbryder (FI) med en triggestrøm på 30 mA maksimum, og man må kun anvende en forlængerledning, som er beregnet til udendørs brug og er udstyret med en stænkbeskyttet koblings-stikkontakt

INDEN BRUG

- Kontrollér altid at forsyningsspændingen er den samme som den spænding, der er anført på værktøjets navneskilt (værktøj med betegnelsen 230V eller 240V kan også tilsluttes til 220V)
- Monter altid støttegrebet A ③ eller B ③; anvend aldrig værktøjet uden støttegrebet
- Støv fra materiale som f.eks. maling, der indeholder bly, nogle træsorter, mineraler og metal kan være skadeligt (kontakt med eller indånding af støvet kan forårsage allergiske reaktioner og/eller sygdomme i luftvejene hos den, der anvender værktøjet, eller hos omkringstående); **bær en støvmaske og arbejd med en støvudsugningsanordning, hvor en sådan kan sluttes til**
- Visse slags støv er klassificeret som kræftfremkaldende (som f.eks. støv fra eg og bøg) især i forbindelse med tilsætningsstoffer til træbehandling; **bær en støvmaske og arbejd med en støvudsugningsanordning, hvor en sådan kan sluttes til**
- Følg de nationale krav, hvad angår støv, for de materialer, du ønsker at arbejde med
- **Fastgør emnet** (det er sikrere at holde emner i en fastgøringsanordning eller skruestik end med hånden)
- Spænd ikke værktøjet fast i en skruestik
- Anvend helt udrullede og sikre forlængerledninger med en kapacitet på 16 A

UNDER BRUG

- Ved arbejde hav altid et solidt greb på værktøjet med begge hænder og sørg for at stå sikkert
- Hold altid ledningen væk fra værktøjets bevægelige dele; før altid ledningen bagud, væk fra værktøjet
- Hvis kablet beskadiges eller skæres over under arbejdet, ikke berør kablet, og straks træk ud stikket
- Brug ikke værktøjet, hvis kablet er beskadiget; få det skiftet ud af en anerkendt fagmand
- I tilfælde af elektrisk eller mekanisk fejlfunktion skal afbryderen straks afbrydes og stikket tages ud af kontakten
- I tilfælde af strømafbrydelse eller når stikket ved et uheld trækkes ud af stikkontakten, skal afbryderen H ③ udløses for at forhindre utilsigtet start

EFTER BRUG

- Før man lægger værktøjet fra sig, man slukke for motoren og sikre, at alle bevægelige dele er standset helt

- Efter at man har slukket for værktøjet, må man aldrig standse tilbehørets rotation ved at påføre en sidelæns kraft mod det

BETJENING

- Montering af støttegreb ⑤
 - ! **træk stikket ud af kontakten**
 - skru støttegrebet A på højre eller venstre side af værktøjet (afhængig af det arbejde, der skal udføres)
 - monter støttegrebet B som illustreret og stram begge medfølgende skruer med stiftnøglen C
- Montering af tilbehør ③
 - ! **træk stikket ud af kontakten**
 - rengør spindlen D og alle de dele, der skal monteres
 - skru VELCRO-sålen E på spindlen D, mens du trykker på knappen til at låse spindlen F
 - ! **tryk kun på spindellåseknappen F, når spindlen D ikke bevæger sig**
 - tryk uldhætten G fast på VELCRO-sålen E
 - ved afmontering af tilbehørsgreb og omvendt
- Før ibrugtagning af værktøjet
 - vær sikker, at tilbehøret er rigtigt monteret og sidder godt fast
 - check at tilbehøret løber frit ved at dreje det rundt med hånden
 - test værktøjet i min. 30 sekunder på nøjeste omdrejningstal i en sikker position
 - ved anselig vibration eller andre defekter, stop straks værktøjet og check værktøjet for at finde den mulige årsag hertil
- Tænd/sluk
 - start/sluk værktøj ved at trække/slippe aftrækker H ④
- Elektronisk blød start

Den bløde acceleration sikrer at maksimalhastigheden nås uden et pludselig ryk i værktøjet, når det startes
- Fastlåsnings af afbryderen til vedvarende drift
 - træk aftrækker H
 - tryk knappen J ind med tommelfingeren
 - fastlåsnings udløses ved at trække på aftrækker H igen og derefter slippe den
- Hastighedskontrol ⑥
 - ved hjælp af hjulet K kan maksimalhastigheden justeres trinløst fra lav til høj (1-MAX)
 - start med hjulet K i position 1 (laveste hastighed)
 - om nødvendigt kan man vælge en højere hastighed, mens værktøjet kører
 - den optimale hastighed afhænger af materialet og kan bestemmes ud fra praktiske forsøg
- Betjening af værktøjet
 - tænd værktøjet
 - anbring værktøjet med fuldstændig kontakt på den overflade, der skal poleres, og bevæg det ensartet i små områder ad gangen
 - hver bevægelse bør overlape den foregående med en halv bevægelse
 - for at undgå at brænde den coatede overflade må man ikke stoppe værktøjet et enkelt sted
 - for at undgå pletter eller at brænde den coatede overflade må man ikke bevæge værktøjet i cirkler
 - ! **før der slukkes for værktøjet, skal det løftes op fra arbejdsemnet**

! **tilbehøret fortsætter med at dreje rundt få sekunder efter at værktøjet er slukket**

- Håndtering og styring af værktøjet ⑦
 - ! **under arbejde, hold altid om værktøjet på de grå markerede grebsområde(r)**
 - man skal altid holde godt fast i værktøjet med begge hænder, så man har fuldt herredømme over værktøjet på alle tidspunkter
 - man skal stille sig sådan, at man står godt og sikkert
 - ! **påfør ikke så meget tryk på værktøjet, at det standser**
 - hold ventilationshullerne L ③ utildækkede

VEDLIGEHOLDELSE/SERVICE

- Beskyt værktøjet mod slag, stød og fedt
- Hold værktøjet og ledningen ren (især ventilationshullerne L ③)
 - ! **træk stikket ud før rensning**
 - ! **prøv ikke at rengøre ved at stikke spidse genstande igennem hullerne**
- Skulle el værktøjet trods omhyggelig fabrikation og kontrol holde op med at fungere, skal reparationen udføres af et autoriseret serviceværksted for SKIL-elektroværktøj
 - send den **uskilte** værktøjet sammen med et købsbevis til forhandleren eller nærmeste SKIL serviceværksted (adresser og reservedelstegning af værktøjet findes på www.skilmasters.com)

MILJØ

- **Elværktøj, tilbehør og emballage må ikke bortskaffes som almindeligt affald** (kun for EU-lande)
 - i henhold til det europæiske direktiv 2002/96/EF om bortskaffelse af elektriske og elektroniske produkter og gældende national lovgivning, skal brugt elværktøj indsamles separat og bortskaffes på en måde, der skåner miljøet mest muligt
 - symbolet ⑧ erindrer dig om dette, når udskiftning er nødvendig

OVERENSSTEMMELSESERKLÆRING CE

- Vi erklærer under almindeligt ansvar, at det produkt, der er beskrevet under "Tekniske data", er i overensstemmelse med følgende standarder eller normative dokumenter: EN 60745, EN 61000, EN 55014, i henhold til bestemmelserne i direktiverne 2004/108/EF, 2006/42/EF, 2011/65/EU
- **Teknisk dossier hos:** SKIL Europe BV (PT-SEU/ENG1), 4825 BD Breda, NL

Marijn van der Hoofden
Operations & Engineering

Olaf Dijkgraaf
Approval Manager



SKIL Europe BV, 4825 BD Breda, NL

19.08.2013

STØJ/VIBRATION

- Måles etter EN 60745 er lydtrykkniveau af dette værktøj 86 dB(A) og lydeffektniveau 97 dB(A) (standard deviation: 3 dB), og vibrationsniveauet 8,5 m/s² (hånd-arm metoden; usikkerhed K = 1,5 m/s²)
 - Det vibrationsniveau er målt i henhold til den standardiserte test som anført i EN 60745; den kan benyttes til at sammenligne to stykker værktøj og som en foreløbig bedømmelse af udsættelsen for vibrationer, når værktøjet anvendes til de nævnte formål
 - anvendes værktøjet til andre formål eller med andet eller dårligt vedligehold tilbehør, kan dette **øge** udsættelsesniveauet betydeligt
 - de tidsrum, hvor værktøjet er slukket, eller hvor det kører uden reelt at utføre noget arbejde, kan **reducere** udsættelsesniveauet betydeligt
- ! beskyt dig selv imod virkningerne af vibrationer ved at vedligeholde værktøjet og dets tilbehør, ved at holde dine hender varme og ved at organisere dine arbeidsmønstre**

N

Poleringsmaskin

9955

INTRODUKSJON

- Dette verktøyet er ment for polering av metall, plast og behandlede overflater så vel som polering av steinmaterialer uten bruk av vann
- Les og ta vare på denne brukerveiledningen ②

TEKNISKE DATA ①

VERKTØYELEMENTER ③

- A Støttehåndtak
- B Støttehåndtak (type D)
- C Sekskantnøkkel
- D Spindel
- E Bakpute (VELCRO-borrelås)
- F Spindellåseknapp
- G Ullrondell
- H Av/på bryter
- J Knapp til låsing av av/på-bryter
- K Hjul for maksimumshastighetsregulering
- L Ventilasjonsåpninger

SIKKERHET

GENERELLE SIKKERHETSANVISNINGER

⚠ OBS! Les gjennom alle advarslene og anvisningene. Feil ved overholdelsen av advarslene og nedenstående anvisninger kan medføre elektriske støt, brann og/eller alvorlige skader. **Ta godt vare på alle advarslene og informasjonene.** Det nedenstående anvendte uttrykket "elektroverktøy" gjelder for strømledende elektroverktøy (med ledning) og batteridrevne elektroverktøy (uten ledning).

1) SIKKERHET PÅ ARBEIDSPLASSEN

- a) **Hold arbeidsområdet rent og ryddig.** Rotete arbeidsområder eller arbeidsområder uten lys kan føre til ulykker.
- b) **Ikke arbeid med maskinen i eksplosjonsutsatte omgivelser – der det befinner seg brennbare væsker, gass eller støv.** Elektroverktøy lager gnister som kan antenne støv eller damper.
- c) **Hold barn og andre personer unna når elektroverktøyet brukes.** Hvis du blir forstyrret under arbeidet, kan du miste kontrollen over maskinen.

2) ELEKTRISK SIKKERHET

- a) **Støpselet til maskinen må passe inn i stikkkontakten. Støpselet må ikke forandres på noen som helst måte. Ikke bruk adapterstøpsler sammen med jordede maskiner.** Bruk av støpsler som ikke er forandret på og passende stikkontakter reduserer risikoen for elektriske støt.
- b) **Unngå kroppskontakt med jordede overflater slik som rør, ovner, komfyrer og kjøleskap.** Det er større fare ved elektriske støt hvis kroppen din er jordet.
- c) **Hold maskinen unna regn eller fuktighet.** Dersom det kommer vann i et elektroverktøy, øker risikoen for elektriske støt.
- d) **Ikke bruk ledningen til andre formål, f.eks. til å bære maskinen, henge den opp eller trekke den ut av stikkkontakten. Hold ledningen unna varme, olje, skarpe kanter eller maskindeler som beveger seg.** Med skadede eller opphopede ledninger øker risikoen for elektriske støt.
- e) **Når du arbeider utendørs med et elektroverktøy, må du kun bruke en skjøteledning som er godkjent til utendørs bruk.** Når du bruker en skjøteledning som er egnet for utendørs bruk, reduseres risikoen for elektriske støt.
- f) **Hvis det ikke kan unngås å bruke elektroverktøyet i fuktige omgivelser, må du bruke en jordfeilbryter.** Bruk av en jordfeilbryter reduserer risikoen for elektriske støt.

3) PERSONSIKKERHET

- a) **Vær oppmerksom, pass på hva du gjør, gå fornuftig frem når du arbeider med et elektroverktøy. Ikke bruk maskinen når du er trett eller er påvirket av narkotika, alkohol eller medikamenter.** Et øyeblikks uoppmerksomhet ved bruk av maskinen kan føre til alvorlige skader.
- b) **Bruk personlig verneutstyr og husk alltid å bruke vernebriller.** Bruk av personlig sikkerhetsutstyr som støvmaske, sklifaste arbeidssko, hjelm eller hørselvern – avhengig av type og bruk av elektroverktøyet – reduserer risikoen for skader.
- c) **Unngå å starte verktøyet ved en feiltagelse. Forviss deg om at elektroverktøyet er slått av før du kobler det til strømmen og/eller batteriet, løfter det opp eller bærer det.** Hvis du holder fingeren på bryteren når du bærer elektroverktøyet eller kobler elektroverktøyet til strømmen i innkoblet tilstand, kan dette føre til uhell.
- d) **Fjern innstillingsverktøy eller skrunøkler før du slår på elektroverktøyet.** Et verktøy eller en nøkkel som befinner seg i en roterende maskindel, kan føre til skader.

- e) **Ikke overvurder deg selv. Sørg for å stå stødig og i balanse.** Dermed kan du kontrollere maskinen bedre i uventede situasjoner.
 - f) **Bruk alltid egnete klær. Ikke bruk vide klær eller smykker. Hold hår, tøy og hansker unna deler som beveger seg.** Løstsittende tøy, smykker eller langt hår kan komme inn i deler som beveger seg.
 - g) **Hvis det kan monteres støvavsug- og oppsamlingsinnretninger, må du forvise deg om at disse er tilkoblet og brukes på korrekt måte.** Bruk av et støvavsug reduserer faren på grunn av støv.
- 4) AKTSOM HÅNDTERING OG BRUK AV ELEKTROVERKTØY**
- a) **Ikke overbelast maskinen. Bruk et elektroverktøy som er beregnet til den type arbeid du vil utføre.** Med et passende elektroverktøy arbeider du bedre og sikrere i det angitte effektområdet.
 - b) **Ikke bruk elektroverktøy med defekt på-/avbryter.** Et elektroverktøy som ikke lenger kan slås av eller på, er farlig og må repareres.
 - c) **Trekk støpselet ut av stikkkontakten og/eller fjern batteriet før du utfører innstillinger på elektroverktøyet, skifter tilbehørsdeler eller legger maskinen bort.** Disse tiltakene forhindrer en utilsiktet startung av maskinen.
 - d) **Elektroverktøy som ikke er i bruk må oppbevares utilgjengelig for barn. Ikke la maskinen brukes av personer som ikke er fortrolig med dette eller ikke har lest disse anvisningene.** Elektroverktøy er farlige når de brukes av uerfarne personer.
 - e) **Vær nøye med vedlikeholdet av maskinen. Kontroller om bevegelige maskindeler fungerer feilfritt og ikke klemmes fast, og om deler er brukt eller skadet, slik at dette innvirker på maskinens funksjon. La skadede deler repareres før maskinen brukes.** Dårlig vedlikeholdte elektroverktøy er årsaken til mange uhell.
 - f) **Hold skjæreverktøyene skarpe og rene.** Godt stelte skjæreverktøy med skarpe skjær setter seg ikke så ofte fast og er lettere å føre.
 - g) **Bruk elektroverktøy, tilbehør, verktøy osv. i henhold til disse anvisningene. Ta hensyn til arbeidsforholdene og arbeidet som skal utføres.** Bruk av elektroverktøy til andre formål enn det som er angitt kan føre til farlige situasjoner.
- 5) SERVICE**
- a) **Maskinen din skal alltid kun repareres av kvalifisert fagpersonale og kun med originale reservedeler.** Slik opprettholdes maskinens sikkerhet.

SIKKERHETSINSTRUKSJONER FOR POLERINGSMASKINER

1) SIKKERHETSANVISNINGER FOR ALLE ARBEIDERE

- a) **Dette elektroverktøyet skal brukes som poleringsmaskin. Følg alle advarsler, anvisninger, bilder og data som du får levert sammen med elektroverktøyet.** Hvis du ikke følger følgende anvisninger, kan det oppstå elektriske støt, ild og/eller store skader.
- b) **Dette elektriske verktøyet bør ikke brukes til sliping, sandpussing, stålbørsting eller kapping.** Hvis verktøyet brukes til operasjoner som det ikke er

konstruert for, kan det føre til farlige situasjoner og personskader.

- c) **Det må aldri finnes løse deler på polerhetten, spesielt ikke festesnorere. Putt unna eller kapp festesnorene.** Løse roterende festesnorere kan gripe tak i fingrene dine eller vikle seg inn i arbeidsstykket.
- d) **Ikke bruk tilbehør som ikke er spesielt beregnet og anbefalt av produsenten for dette elektroverktøyet.** Selv om du kan feste tilbehøret på elektroverktøyet ditt, garanterer dette ingen sikker bruk.
- e) **Det godkjente turtalet til innsatsverktøyet må være minst like høyt som det maksimale turtalet som er angitt på elektroverktøyet.** Tilbehør som dreies hurtigere enn godkjent, kan ødelegges.
- f) **Utvendig diameter og tykkelse på innsatsverktøyet må tilsvare målene for elektroverktøyet.** Gale innsatsverktøy kan ikke sikres eller kontrolleres tilstrekkelig.
- g) **Det godkjente verktøy med gjengeinnsats må passe nøyaktig på slipespindelens gjenger. Ved innsatsverktøy som monteres ved hjelp av en flens må hulldiametere til innsatsverktøyet passe til festediameteren til flensen.** Innsatsverktøy som ikke kan festes nøyaktig på elektroverktøyet, roterer uregelmessig, vibrerer svært sterkt og kan føre til at du mister kontrollen.
- h) **Ikke bruk skadede innsatsverktøy. Sjekk før hver bruk om innsatsverktøy slik som slipeskiver er splintret eller revnet, om slipetallerkener er revnet eller svært slitt, om stålbørster har løse eller har brukkede tråder. Hvis elektroverktøyet eller innsatsverktøyet faller ned, må du kontrollere om det er skadet eller bruk et ikke skadet innsatsverktøy. Når du har kontrollert og satt inn innsatsverktøyet, må du holde personer som oppholder seg i nærheten unna det roterende innsatsverktøyet og la elektroverktøyet gå i ett minutt med maksimalt turtalet.** Som regel brykker skadede innsatsverktøy i løpet av denne testtiden.
- i) **Bruk personlig beskyttelsesutstyr ④. Avhengig av typen bruk må du bruke visir, øyebeskyttelse eller vernebriller. Om nødvendig må du bruke støvmaske, hørselvern, vernehansker eller spesialforkle som holder små slipe- og materialpartikler unna kroppen din.** Øynene bør beskyttes mot fremmedlegemer som kan fly rundt ved visse typer bruk. Støv- eller pustevernmasker må filtrere den typen støv som oppstår ved denne bruken. Hvis du er utsatt for sterk støv over lengre tid, kan du miste hørselen.
- j) **Pass på at andre personer holder tilstrekkelig avstand til arbeidsområdet ditt. Alle som går inn i arbeidsområdet må bruke personlig verneutstyr.** Bruke deler til verktøyet eller brukne innsatsverktøy kan slynges ut og derfor også forårsake skader utenfor det direkte arbeidsområdet.
- k) **Hold strømledningen unna roterende innsatsverktøy.** Hvis du mister kontrollen over elektroverktøyet kan strømledningen kappes eller komme inn i rotetøyet, og hånden eller armen din kan komme inn i det roterende innsatsverktøyet.
- l) **Legg aldri elektroverktøyet ned før innsatsverktøyet er stanset helt.** Det roterende innsatsverktøyet kan

- komme i kontakt med overflaten der maskinen legges ned, slik at du kan miste kontrollen over elektroverktøyet.
- m) **La aldri elektroverktøyet være innkoblet mens du bærer det.** Tøyet ditt kan komme inn i det roterende innsatsverktøyet hvis det tilfeldigvis kommer i kontakt med verktøyet og innsatsverktøyet kan da bore seg inn i kroppen din.
- n) **Rengjør ventilasjonsåpningene til elektroverktøyet med jevne mellomrom.** Motorviften trekker støv inn i huset, og en stor oppsamling av metallstøv kan medføre elektrisk fare.
- o) **Ikke bruk elektroverktøyet i nærheten av brennbare materialer.** Gnister kan antenne disse materialene.
- p) **Bruk ikke innsatsverktøy som krever flytende kjølemidler.** Bruk av vann eller andre flytende kjølemidler kan føre til elektriske støt.
- 2) TILBAKESLAG OG TILSVARENDE ADVARSLER**
- Tilbakeslag er innsatsverktøyets plutselige reaksjon etter at det har hengt seg opp eller blokkerer. Dette kan gjelde slipeskiven, slipetallerkenen, stålborsten osv.. Opphenging eller blokkering fører til at det roterende innsatsverktøyet stanser helt plutselig. Slik akselerer et ukontrollert elektroverktøy i motsatt retning av innsatsverktøyets dreieretning på blokkeringsstedet.
 - Hvis f.eks. en slipeskive henger seg opp eller blokkerer i arbeidsstykket, kan kanten på slipeskiven som dykker inn i arbeidsstykket, henge seg opp og slik brekker slipeskiven eller forårsaker et tilbakeslag. Slipeskiven beveger seg da mot eller bort fra brukeren, avhengig av skivens dreieretning på blokkeringsstedet. Slipeskiver kan da også brekke.
 - Et tilbakeslag er resultat av en gal eller feilaktig bruk av elektroverktøyet. Det kan unngås ved å følge egnede sikkerhetstiltak som beskrevet nedenstående.
- a) **Hold elektroverktøyet godt fast og plasser kroppen og armene dine i en stilling som kan ta imot tilbakeslagskrefter. Bruk alltid ekstrahåndtaket – hvis dette finnes – for å ha størst mulig kontroll over tilbakeslagskrefter eller reaksjonsmomenter ved oppkjøring.** Brukeren kan beherske tilbakeslags- og reaksjonsmomenter med egnede tiltak.
- b) **Hold aldri hånden i nærheten av det roterende innsatsverktøyet.** Innsatsverktøyet kan bevege seg over hånden din ved tilbakeslag.
- c) **Unngå at kroppen din befinner seg i området der elektroverktøyet vil bevege seg ved et tilbakeslag.** Tilbakeslaget driver elektroverktøyet i motsatt retning av slipeskivens dreieretning på blokkeringsstedet.
- d) **Vær spesielt forsiktig i hjørner, på skarpe kanter osv. Du må forhindre at innsatsverktøyet avpelles fra arbeidsstykket eller klemmes fast.** Det roterende innsatsverktøyet har en tendens til å klemmes fast i hjørner, på skarpe kanter eller hvis det avpelles. Dette forårsaker kontrolltap eller tilbakeslag.
- e) **Bruk ikke kjedesagblad eller tannet sagblad.** Slike innsatsverktøy fører ofte til tilbakeslag eller til at man mister kontrollen over elektroverktøyet.

GENERELL

- Dette verktøyet skal kun brukes til tørrpolering
- Bruk kun flensene som følger med verktøyet
- Verktøyet må ikke brukes av personer under 16 år

- Ta alltid ut kontakten før du forandrer innstillinger på saken eller skifter tilbehør**
- Ikke bearbeid asbestholdig material** (asbest kan fremkalle kreft)

TILBEHØR

- SKIL kan kun garantere et feilfritt verktøy dersom riktig tilbehør brukes, som leveres fra SKIL-forhandleren på stedet
- For montering og bruk av ikke-originalt SKIL tilbehør, henvises det til brukerveiledning fra aktuell produsent
- Bruk kun tilbehør med et godkjent turtall som er minst like høyt som verktøyets høyeste tomgangsturtall
- Bruk aldri tilbehør med et "blindt" gjenget sentrumshull mindre enn M14 x 21 mm
- Bruk ikke skadet, deformert eller vibrerende tilbehør

BRUK

- Når verktøyet skal brukes utendørs, må det koples til en feilstrømbryter (FI) feilstrømbryter som vil kople ut på 30 mA maksimum; det skal også bare brukes skjøteledning som er beregnet for bruk utendørs og som er utstyrt med sprutsikker stikkontakt

FØR BRUK

- Sjekk alltid at tilført spenningen er den samme som oppgitt på verktøyets merkeplate (verktøy som er betegnet med 230V eller 240V kan også koples til et 220V strømuttak)
- Monter alltid sidehåndtaket A ③ eller B ③; bruk aldri verktøyet uten dette
- Støv fra materialer som blyholdig maling, visse tresorter, mineraler og metall kan være skadelig (kontakt med eller inhalering av støv kan gi allergiske reaksjoner og/eller sykdommer i åndedrettsorganene for brukeren eller personer i nærheten); **bruk støvmaske og arbeid med støvfjerningsutstyr når det er mulig**
- Visse typer støv er klassifisert som kreftfremkallende (som f.eks. støv fra eik og bøk), spesielt sammen med tilsetningsstoffer for trebehandling; **bruk støvmaske og arbeid med støvfjerningsutstyr når det er mulig**
- Følg de nasjonale krav, når det gjelder støv for de materialer du ønsker å arbeide med
- Sett fast arbeidsstykket** (et arbeidsstykke som er sikret med klemmer, sitter sikrere enn om det holdes fast for hånd)
- Verktøyet må ikke spennes fast i en skrustikke
- Bruk helt utrullet og sikker skjøteledning med en kapasitet på 16 A

UNDER BRUK

- Under arbeid hold alltid verktøyet fast med begge hender og pass på å stå stødig
- Hold alltid kablen borte fra bevegelige deler på verktøyet; før kablen bakover bort fra verktøyet
- Hvis kablen skades eller kappes under arbeid må kablen ikke berøres, men støpselet straks trekkes ut
- Bruk ikke verktøyet dersom kabel er skadet; få den skiftet ut af en anerkendt fagmand
- I tilfelle en elektrisk eller mekanisk svikt, skal verktøyet med en gang slås av og støpset trekkes ut
- I tilfelle strømbrydd, eller hvis støpselet trekkes ut tilfeldig, slipp bryteren H ③ for å unngå utilsikket starting igjen

ETTER BRUK

- Før du legger verktøyet fra deg, slå av motoren og forsikre deg om at alle roterende deler har stoppet helt
- Etter at verktøyet er slått av, prøv aldri å stoppe tilbehøret rotasjonen med bruk av sideveis kraft

BRUK

- Montering av sidehåndtak ⑤
 - ! **trekk ut støpslet av stikkkontakten**
 - skru sidehåndtak A på høyre eller venstre side av verktøyet (avhengig av arbeidet som skal utføres)
 - monter sidehåndtaket B slik det er vist, og trekk til begge skruene med sekskantnøkkelen C
- Montering av tilbehør ③
 - ! **trekk ut støpslet av stikkkontakten**
 - foreta rengjøring av spindel D og alle delene som skal monteres
 - skru borrelåsbakputen E på spindelen D samtidig som du skyver spindellåseknappen F
 - ! **spindellås F skal bare skyves når spindel D er stillestående**
 - press ullskiven G på borrelåsbakputen E
 - demontering av tilbehør skjer i motsatt rekkefølge
- Før bruk
 - vær sikker på at tilbehør er korrekt montert og festet skikkelig
 - sjekk om tilbehøret roterer fritt ved å snurre den ved hånd
 - test verktøyet i minimum 30 sekunder på høyeste hastighet i en sikker stilling uten å berøre arbeidsstykket
 - stopp øyeblikkelig dersom verktøyet vibrerer unormalt mye eller andre problemer oppstår, og sjekk verktøyet nøye
- Av/på
 - slå på/av verktøyet ved å trekke inn/frigjøre bryter H ③
- Elektronisk myk-start
 - For en jevn økning av maksimum hastigheten uten et plutselig rykk når verktøyet starter
- Låsning av bryteren for permanent drift
 - trykk inn bryteren H
 - trykk inn knappen J med tommelen
 - løsne låsen ved å trykke inn bryter H og frigjøre den
- Hastighetsregulering ⑥
 - maksimumshastighet kan justeres trinnløs fra lav til høy med hjelp av hjulet K (1-MAX)
 - start med hjulet K i posisjon 1 (sakte)
 - ved behov velger du høyere hastighet mens verktøyet går
 - den optimale arbeidshastigheten avhenger av materialet, og kan bestemmes gjennom praktiske forsøk
- Bruk av verktøyet
 - slå på verktøyet
 - legg verktøyet helt an mot overflaten som skal poleres, og beveg det jevnt område for område
 - den ene bevegelsen skal overlape den forrige med 50 %
 - du må ikke stoppe på ett sted da det kan brenne belegget
 - du må ikke bevege verktøyet i sirkler da det kan lage merker i eller brenne belegget

- ! **før verktøyet slås av, løft det bort fra arbeidsstykket**
- ! **skiven fortsetter å rotere i en kort periode etter at verktøyet er slått av**
- Grep og styring av verktøyet ⑦
 - ! **under arbeid, hold verktøyet alltid i grått(gråe) grepsområde(r)**
 - hold verktøyet godt fast med begge hender slik at du alltid har full kontroll over verktøyet
 - sørg for at verktøyet holdes stødig
 - ! **sett ikke så mye press på verktøyet at det stopper rotasjonen**
 - hold ventilasjonsåpningen L ③ utildekket

VEDLIKEHOLD / SERVICE

- Beskytt verktøyet fra slag, støt og fett
- Hold alltid verktøyet og kabelen ren (spesielt ventilasjonshullene L ③)
 - ! **dra ut støpselet før rengjøring**
 - ! **ikke forsøk å rengjøre ved å stikke spise gjenstander gjennom ventilasjonshullen**
- Hvis elektroverktøyet til tross for omhyggelige produksjons- og kontrollmetoder en gang skulle svikte, må reparasjonen utføres av et autorisert serviceverksted for SKIL-elektroverktøy
 - send verktøyet i **montert** tilstand sammen med kjøpebevis til forhandleren eller nærmeste SKIL servicesenter (adresser liksom service diagram av verktøyet finner du på www.skilmasters.com)

MILJØ

- **Kast aldri elektroverktøy, tilbehør og emballasje i husholdningsavfallet** (kun for EU-land)
 - i henhold til EU-direktiv 2002/96/EF om kasserte elektriske og elektroniske produkter og direktivets iverksetting i nasjonal rett, må elektroverktøy som ikke lenger skal brukes, samles separat og returneres til et miljøvennlig gjenvinningsanlegg
 - symbolet ⑧ er påtrykt som en påminnelse når utskiftning er nødvendig

SAMSVARSERKLÆRING CE

- Vi erklærer som eneansvarlig at produktet som beskrives under "Tekniske data" stemmer overens med følgende normer eller normative dokumenter: EN 60745, EN 61000, EN 55014, jf. bestemmelsene i direktivene 2004/108/EF, 2006/42/EF, 2011/65/EU
- **Tekniske underlag hos:** SKIL Europe BV (PT-SEU/ENG1), 4825 BD Breda, NL

Marijn van der Hoofden Olaf Dijkstraaf
Operations & Engineering Approval Manager

SKIL Europe BV, 4825 BD Breda, NL

19.08.2013

STØY/VIBRASJON

- Målt ifølge EN 60745 er lydtrykknivået av dette verktøyet 86 dB(A) og lydstyrkenivået 97 dB(A) (standard deviasjon: 3 dB), og vibrasjonsnivået 8,5 m/s² (hånd-arm metode; usikkerhet K = 1,5 m/s²)
- Det avgitte vibrasjonsnivået er blitt målt i samsvar med en standardisert test som er angitt i EN 60745; den kan brukes til å sammenligne et verktøy med et annet, og som et foreløpig overslag over eksponering for vibrasjoner ved bruk av verktøyet til de oppgavene som er nevnt
 - bruk av verktøyet til andre oppgaver, eller med annet eller mangelfullt vedlikeholdt utstyr, kan gi en vesentlig **økning** av eksponeringsnivået
 - tidsrommene når verktøyet er avslått eller når det går men ikke arbeider, kan gi en vesentlig **reduksjon** av eksponeringsnivået
- ! beskytt deg selv mot virkningene av vibrasjoner ved å vedlikeholde verktøyet og utstyret, holde hendene varme og organisere arbeidsmåten din**

FIN

Kiillotin

9955

ESITTELY

- Tämä työkalu on tarkoitettu metallin, muovin ja päällystettyjen pintojen sekä kivimateriaalien kiillottamiseen vettä käyttämättä
- Lue ja säilytä tämä ohjekirja

TEKNISET TIEDOT ①

LAITTEEN OSAT ③

- A Apukahva
- B Apukahva (malli D)
- C Kuusiokoloavain
- D Kara
- E Hiomalautanen (VELCRO)
- F Karanlukituspainike
- G Villasuojus
- H Virtakytkin
- J Virtakytkimen lukitusnappi
- K Pyörä maksiminopeuden säätämistä varten
- L Ilmanvaihto-aukot

TURVALLISUUS

YLEISET TURVALLISUUSOHJEET

⚠ HUOMIO! Lue kaikki turvallisuus- ja muut ohjeet. Turvallisuusohjeiden noudattamisen laiminlyönti saattaa johtaa sähköiskuun, tulipaloon ja/tai vakavaan loukkaantumiseen. **Säilytä kaikki turvallisuus- ja muut ohjeet tulevaisuutta varten.** Turvallisuusohjeissa käytetty käsite "sähkötyökalu" käsittää verkkokäyttöisiä sähkötyökaluja (verkkojohdolla) ja akkukäyttöisiä sähkötyökaluja (ilman verkkojohtoa).

1) TYÖPAIKAN TURVALLISUUS

- Pidä työskentelyalue puhtaana ja hyvin valaistuna.** Työpaikan epäjärjestys tai valaisemattomat työalueet voivat johtaa tapaturmiin.
- Älä työskentele sähkötyökalulla räjähdyssaltiltiissa ympäristössä, jossa on palavaa nestettä, kaasua tai pölyä.** Sähkötyökalu muodostaa kipinöitä, jotka saattavat sytyttää pölyn tai höyryt.
- Pidä lapset ja sivulliset loitolla sähkötyökalua käyttäessäsi.** Voit menettää laitteesi hallinnan, huomiosi suuntautuu muualle.

2) SÄHKÖTURVALLISUUS

- Sähkötyökalun pistotulpan tulee sopia pistorasiaan. Pistotulppaa ei saa muuttaa millään tavalla. Älä käytä mitään pistorasia-adaptoreita maadoitettujen sähkötyökalujen kanssa.** Alkuperäisessä kunnossa olevat pistotulpat ja sopivat pistorasiat vähentävät sähköiskun vaaraa.
- Vältä koskettamasta maadoitettuja pintoja, kuten putkia, pattereita, liesiä tai jääkaappeja.** Sähköiskun vaara kasvaa, jos kehosi on maadoitettu.
- Älä aseta sähkötyökalua alttiiksi sateelle tai kosteudelle.** Veden tunkeutuminen sähkötyökalun sisään kasvattaa sähköiskun riskiä.
- Älä käytä verkkojohtoa väärin. Älä käytä sitä sähkötyökalun kantamiseen, vetämiseen tai pistotulpan irrottamiseen pistorasiasta. Pidä johto loitolla kuumuudesta, öljystä, terävistä reunoista ja liikkuvista osista.** Vahingoittuneet tai sotkeutuneet johdot kasvattavat sähköiskun vaaraa.
- Käyttäessäsi sähkötyökalua ulkona, käytä ainoastaan ulkokäyttöön soveltuvaa jatkojohtoa.** Ulkokäyttöön soveltuvan jatkojohdon käyttö pienentää sähköiskun vaaraa.
- Jos sähkötyökalun käyttö kosteassa ympäristössä ei ole vältettävissä, tulee käyttää maavuotokatkaisijaa.** Maavuotokatkaisijan käyttö vähentää sähköiskun vaaraa.

3) HENKILÖTURVALLISUUS

- Ole valpas, kiinnitä huomiota työskentelyysi ja noudata tervettä järkeä sähkötyökalua käyttäessäsi. Älä käytä sähkötyökalua, jos olet väsynyt tai huumeiden, alkoholin tahi lääkkeiden vaikutuksen alaisena.** Hetken tarkkaamattomuus sähkötyökalua käytettäessä, saattaa johtaa vakavaan loukkaantumiseen.
- Käytä suojavarusteita. Käytä aina suojalaseja.** Henkilökohtaisen suojavarustuksen käyttö, kuten pölynaamarin, luistamattomien turvakenkien, suojakypärän tai kuulonsuojaimien, riippuen sähkötyökalun lajista ja käyttötavasta, vähentää loukaantumisriskiä.
- Vältä tahatonta käynnistämistä. Varmista, että sähkötyökalu on poiskytkettynä, ennen kuin liität sen sähköverkkoon ja/tai liität akun, otat sen käteen tai kannat sitä.** Jos kannat sähkötyökalua sormi käynnistyskytkimellä tai kytket sähkötyökalun pistotulpan pistorasiaan, käynnistyskytkimen ollessa käyntiasennossa, altistat itsesi onnettomuuksille.
- Poista kaikki säätötyökalut ja ruuvitalat, ennen kuin käynnistät sähkötyökalun.** Työkalu tai avain, joka

sijaitsee laitteen pyöriässä osassa, saattaa johtaa loukkaantumiseen.

- e) **Älä yliarvioi itseäsi.** Huolehdi aina **tukevasta seisoma-asennosta ja tasapainosta.** Täten voit paremmin hallita sähkötyökäluä odottamattomissa tilanteissa.
- f) **Käytä tarkoitukseen soveltuvia vaatteita. Älä käytä löysiä työvaatteita tai koruja. Pidä hiukset, vaatteet ja käsineet loitolla liikkuvista osista.** Väljät vaatteet, korut ja pitkät hiukset voivat takertua liikkuviin osiin.
- g) **Jos pölynimu- ja keräilylaitteita voidaan asentaa, tulee sinun tarkistaa, että ne on liitetty ja että ne käytetään oikealla tavalla.** Pölynimulaitteiston käyttö vähentää pölyn aiheuttamia vaaroja.

4) SÄHKÖTYÖKALUJEN KÄYTTÖ JA HOITO

- a) **Älä ylikuormita laitetta. Käytä järkeiseen työhön tarkoitettua sähkötyökäluä.** Sopivaa sähkötyökäluä käyttäen työskentelet paremmin ja varmemmin tehoalueella, jolle sähkötyökälu on tarkoitettu.
- b) **Älä käytä sähkötyökäluä, jota ei voida käynnistää ja pysäyttää käynnistyskytkimestä.** Sähkötyökälu, jota ei enää voida käynnistää ja pysäyttää käynnistyskytkimellä, on vaarallinen ja se täytyy korjata.
- c) **Irrota pistotulppa pistorasiasta, ennen kuin suoritat säätöjä, vaihdat tarvikkeita tai siirät sähkötyökäluen varastoitavaksi.** Nämä turvatoimenpiteet pienentävät sähkötyökäluen tahattoman käynnistysriskin.
- d) **Säilytä sähkötyökälu poissa lasten ulottuvilta, kun niitä ei käytetä. Älä anna sellaisten henkilöiden käyttää sähkötyökäluä, jotka eivät tunne sitä tai jotka eivät ole lukeneet tätä käyttöohjetta.** Sähkötyökälu ovat vaarallisia, jos niitä käyttävät kokemattomat henkilöt.
- e) **Hoida sähkötyökäluasi huolella. Tarkista, että liikkuvat osat toimivat moitteettomasti, eivätkä ole puristuksessa sekä, että siinä ei ole murtuneita tai vahingoittuneita osia, jotka saattaisivat vaikuttaa haitallisesti sähkötyökäluen toimintaan. Anna korjauttaa mahdolliset viat ennen käyttöönnottoa.** Monen taturman syyt löytyvät huonosti huolletuista laitteista.
- f) **Pidä leikkausterät terävinä ja puhtaina.** Huolellisesti hoidetut leikkaustyökälu, joiden leikkausreunat ovat teräviä, eivät tartu helposti kiinni ja niitä on helpompi hallita.
- g) **Käytä sähkötyökäluja, tarvikkeita, vaihtotyökäluja jne. näiden ohjeiden mukaisesti. Ota tällöin huomioon työolosuhteet ja suoritettava toimenpide.** Sähkötyökäluen käyttö muuhun kuin sille määrättyyn käyttöön, saattaa johtaa vaarallisiin tilanteisiin.

5) HUOLTO

- a) **Anna koulutettujen ammattihenkilöiden korjata sähkötyökäluasi ja hyväksy korjauksiin vain alkuperäisiä varaosia.** Täten varmistat, että sähkötyökälu säilyy turvallisena.

KIILLOTTIMEN TURVALLISUUSOHJEET

1) TURVALLISUUSOHJEET ERI KÄYTTÖTARKOITUKSILLE

- a) **Tätä sähkötyökäluä tulee käyttää kiillotuskoneena. Ota huomioon kaikki varo-ohjeet, ohjeet, piirustukset ja tiedot, joita saat sähkötyökäluen kanssa.** Ellet noudata seuraavia ohjeita, saattaa se

johtaa sähköiskuun, tulipaloon ja/tai vaikeisiin loukkaantumisiin.

- b) **Tätä sähkötyökäluä ei suositella hiomiseen, hiekkapaperihiontaan, teräsharjaukseen tai leikkaamiseen.** Käyttötavat, joihin sähkötyökäluä ei ole suunniteltu, voivat aiheuttaa vaaratilanteen ja johtaa loukkaantumiseen.
- c) **Älä hyväksy mitään irtonaisia osia kiillotushupussa, esim. kiinnitysnauhjoja. Piilota tai lyhennä kiinnitysnauhat.** Irtonaiset pyörivät kiinnitysnauhat voivat tarttua sormeesi tai työkalupaleeseen.
- d) **Älä käytä mitään lisälaitteita, joita ei valmistaja ole tarkoitannut tai suositellut nimenomaan tälle sähkötyökäluille.** Vain se, että pystyt kiinnittämään lisätarvikkeen sähkötyökäluusi ei takaa sen turvallista käyttöä.
- e) **Vaihtotyökäluen sallitun kierrosluvun tulee olla vähintään yhtä suuri kuin sähkötyökäluasi mainittu suurin kierrosluuku.** Lisätarvike, joka pyörii sallittua suuremmalla nopeudella, saattaa tuhoutua.
- f) **Vaihtotyökäluen ulkohalkaisijan ja paksuuden tulee vastata sähkötyökäluen mittatietoja.** Väärin mitoitettuja vaihtotyökäluja ei voida suojata tai hallita riittävästi.
- g) **Hiomalaikkojen ja laippojen tulee sopia tarkasti sähkötyökäluasi hiomakaraan. Käytettäessä vaihtotyökäluja, jotka liitetään laippaan, tulee vaihtotyökäluen reiän halkaisijan sopia laipan kiinnityshalkaisijaan.** Vaihtotyökälu, joita ei kiinnitetä oikein sähkötyökäluun, pyörivät epätasaisesti, tärisevät voimakkaasti ja saattavat johtaa hallinnan menettämiseen.
- h) **Älä käytä vaurioituneita vaihtotyökäluja.** Tarkista ennen jokaista käyttöä, ettei vaihtotyökäluassa, kuten hiomalaikoissa ole pirstoutumia tai halkemia, hiomalautasessa halkeamia tai voimakasta kulumista, teräsharjassa irtonaisia tai katkenneita lankoja. Jos sähkötyökälu tai vaihtotyökälu putoaa, tulee tarkistaa, että se on kunnossa tai sitten käyttää ehjää vaihtotyökäluä. Kun olet tarkistanut ja asentanut vaihtotyökäluen, pidä itsesi ja lähistöllä olevat henkilöt poissa pyörivän vaihtotyökäluen tasosta ja anna sähkötyökäluen käydä minuutti täydellä kierrosluvulla. Vaurioituneet vaihtotyökäluat menevät yleensä rikki tässä ajassa.
- i) **Käytä henkilökohtaisia suojavarusteita ④. Käytä käytöstä riippuen kokokasvonaamiota, silmäsuojata tai suojalaseja. Jos mahdollista, käytä pölynaamiaria, kuulonsuojainta, suojakäsineitä tai erikoissuojavaatetta, joka suojaa sinut pieniltä hioma- ja materiaalihiukkasilta.** Silmät tulee suojata lenteleviltä vierailta esineiltä, jotka saattavat syntyä eri käytössä. Pöly- tai hengityssuojajanaamareiden täytyy suodattaa pois työstössä syntyvä pöly. Jos olet pitkään alltiina voimakkaalle melulle, saattaa se vaikuttaa heikentävästi kuuloon.
- j) **Varmista, että muut henkilöt pysyvät turvallisella etäisyydellä työalueeltasi. Jokaisella, joka tulee työalueelle, tulee olla henkilökohtaiset suojavarusteet.** Työkappaleen tai murtuneen vaihtotyökäluen osia saattavat sinkoutua kauemmas ja vahingoittaa ihmisiä myös varsinaisen työalueen ulkopuolella.

k) **Pidä sähköjohto poissa pyörivistä vaihtotyökaluista.**

Jos menetät sähkötyökalun hallinnan, saattaa verkkojohto tulla katkaistuksi tai tarttua kiinni ja vetää kätesi tai käsivartesi kiinni pyörivään vaihtotyökaluun.

l) **Älä aseta sähkötyökalua pois, ennen kuin vaihtotyökalu on pysähtynyt kokonaan.** Pyörivä vaihtotyökalu saattaa koskettaa lepopintaa ja voit menettää sähkötyökalusi hallinnan.

m) **Älä koskaan pidä sähkötyökalua käynnissä sitä kantaessasi.** Vaatteesi voi hetkellisen kosketuksen seurauksena tarttua kiinni pyörivään vaihtotyökaluun, joka saattaa porautua kehoosi.

n) **Puhdista sähkötyökalusi tuuletusaukkoja säännöllisesti.** Moottorin tuuletin imee pölyä työkalun koteloon, ja voimakas metallipölyn kasautuma voi synnyttää sähköisiä vaaratilanteita.

o) **Älä käytä sähkötyökalua palavien aineiden lähellä.** Kipinät voivat syyttää näitä aineita.

p) **Älä käytä vaihtotyökaluja, jotka tarvitsevat nestemäistä jäähdysainetta.** Veden tai muiden nestemäisten jäähdysaineiden käyttö saattaa johtaa sähköiskuun.

2) TAKAISKU JA VASTAAVAT VARO-OHJEET

- Takaisku on äkillinen reaktio, joka syntyy pyörivän vaihtotyökalun, kuten hiomalaikan, hiomalautasen tai teräsharjan tarttuessa kiinni tai jäädessä puristukseen. Tarttuminen tai puristukseen joutuminen johtaa pyörivän vaihtotyökalun äkilliseen pysähtymykseen. Tällöin hallitsematon sähkötyökalu sinkoutuu tarttumakohdasta vaihtotyökalun kiertosuunnasta vastakkaiseen suuntaan.

- Jos esim. hiomalaikka tarttuu tai joutuu puristukseen työkappaleeseen, saattaa hiomalaikan reuna, joka on uponnut työkappaleeseen, juuttua kiinni aiheuttaen hiomalaikan ponnahduksen ulos työkappaleesta tai aiheuttaa takaiskun. Hiomalaikka liikkuu silloin käyttävää henkilöä vasten tai pois päin hänestä, riippuen laikan kiertosuunnasta tarttumakohdassa. Tällöin hiomalaikka voi myös murtua.

- Takaisku johtuu sähkötyökalun vääriinkäytöstä tai käytöstä vääraän tarkoitukseen. Se voidaan estää sopivien varotoimin, joita selostetaan seuraavassa.

a) **Pitele sähkötyökalua tukevasti ja saata kehosi ja käsivartesi asentoon, jossa pystyt vastaamaan takaiskuvoimiin.** Käytä aina lisäkahvaa, jos sinulla on sellainen, jotta pystyisit parhaalla mahdollisella tavalla hallitsemaan takaiskuvoimia tai vastamomentteja työkalun ryntökäynnissä. Käyttävä henkilö pystyy hallitsemaan takaisku ja vastamomenttivoimat noudattamalla sopivia suojatoimenpiteitä.

b) **Älä koskaan tuo kättäsi lähelle pyörivää vaihtotyökalua.** Vaihtotyökalu saattaa takaiskun sattuessa liikkuu kätesi yli.

c) **Vältä pitämästä kehoasi alueella, johon sähkötyökalu liikkuu takaiskun sattuessa.** Takaisku pakottaa sähkötyökalun vastakkaiseen suuntaan hiomalaikan liikkeeseen nähdessä tarttumiskohdassa.

d) **Työskentele erityisen varovasti kulmien, terävien reunojen jne. alueella, estä vaihtotyökalua ponnahtamasta takaisin työkappaleesta ja juuttumasta kiinni.** Pyörivällä vaihtotyökalulla on taipumus juuttua kiinni kulmissa, terävissä reunoissa tai

saadessaan kimmokkeen. Tämä johtaa hallinnan pettämiseen tai takaiskuun.

e) **Älä käytä ketjuteriä tai hammastettuja sahanteriä.** Tällaiset vaihtotyökalut aiheuttavat usein takaiskun tai sähkötyökalun hallinnan menettämisen.

YLEISTÄ

- Käytä tätä työkalua vain kiillottamiseen kuivana
- Käytä vain tämä työkalun yhteydessä toimitettuja laippoja
- Tätä työkalua saavat käyttää vain 16 vuotta täyttäneet henkilöt
- **Irrota aina pistotulppa pistorasiasta, ennen kuin suoritat laitteelle mitään säätöjä tai vaihdat tarviketta**
- **Älä koskaan työstä asbestipitoista ainetta** (asbestia pidetään karsinogeenisena)

VARUSTEET

- SKIL pystyy takaamaan työkalun moitteettoman toiminnan vain, kun käytetään oikeita tarvikkeita, jotka ovat saatavana SKIL-myyntiliikkeestä
 - Muita kuin SKIL-varusteita kiinnitettäessä/käytettäessä noudata kyseisen valmistajan antamia ohjeita
 - Käytä vain tarvikkeita, joiden sallittu kierrosluku on vähintään yhtä suuri kuin laitteen suurin tyhjäkäyntikierrosluku
 - Älä koskaan käytä varusteita, joiden "sokea" kierteytysreikä on pienempi kuin M14 x 21 mm
 - Älä käytä vaurioituneita, taittuneita tai tariseviä varusteita
- KÄYTTÖ ULKOTILASSA**

- Ulkotilassa käytettäessä liitä työkalu vikavirran (FI) piirikatkaisimen kautta laukaisuvirtaan, jonka maksimi on 30 mA ka; käytä vain sellaista jatkojohtoa, joka on tarkoitettu ulkotilassa käytettäväksi ja varustettu roiskevedenpitävällä kytkentäliittimellä

ENNEN KÄYTTÖÄ

- Tarkista aina, että syöttöjännite on sama kuin työkalun nimiltaan osoittama jännite (työkalut, joiden jännitetaso on 230V tai 240V, voidaan kytkeä myös 220V tason jännitteeseen)
- Kiinnitä laitteeseen aina apukahva A ③ tai B ③; älä koskaan käytä työkalua ilman sitä
- Materiaaleista, kuten lyijyittöinen maali, jotkut puulajit, mineraalit ja metalli, tuleva pöly voi olla vahingollista (kosketuksiin joutuminen pölyn kanssa tai sen sisään hengittäminen voi aiheuttaa käyttäjälle tai sivustakatsojille allergiareaktioita ja/tai hengitysvaivoja); **käytä pölynaamaria ja työskentele pölynpoistolaitteen kanssa, kun sellainen on liitettävissä**
- Tietynyyppiset pölyt on luokiteltu karsinogeenisiksi (kuten tammi- ja pyökkipöly) erityisesti puun käsittelyyn käytettävien lisäaineiden yhteydessä; **käytä pölynaamaria ja työskentele pölynpoistolaitteen kanssa, kun sellainen on liitettävissä**
- Noudata maakohtaisia pölyyn liittyviä sääntöjä
- **Kiinnitä työstettävä kappale** (kiinnittimeen tai puristimeen kiinnitetty työstettävä kappale pysyy tukevammin paikoillaan kuin käsin pidettäessä)
- Älä aseta työkalua ruuvipuristimeen
- Käytä täysin rullaamattomia ja turvallisia jatkejohtoja, joiden kapasiteetti on 16 ampeeria

KÄYTÖN AIKANA

- Pidä käytössä laitteesta tukevasti kiinni molemmilla käsillä ja asetaudu tukevaan asentoon
- Pidä johto aina poissa työkalun liikkuvien osien läheisyydestä; kohdista johto takaosaa kohti pois työkalusta
- Jos sähköjohto vahingoittuu tai katkeaa työn aikana ei johtoa saa koskettaa, vaan pistotulppa on välittömästi irrotettava pistorasiasta
- Älä käytä työkalua, kun johto on vioittunut; vaan toimita se valtuutettuun huoltoliikkeeseen
- Jos huomaat sähköisen tai mekaanisen vian, sammuta kone heti ja irroita liitosjohto pistorasiasta
- Virtakatkon aiheutuessa tai jos kosketin vedetään vahingossa irti pistorasiasta, vapauta kytkin H ③ kontrolloimattoman uudelleenkäynnistyksen estämiseksi

KÄYTÖN JÄLKEEN

- Ennen työkalun laskemista maahan katkaise moottorin toiminta ja varmista, että kaikki liikkuvat osat pysähtyvät täysin
- Työkalu irtikytkettyäsi älä koskaan pysäytä varusteen pyörintää siihen kohdistetulla poikittaisella voimalla

KÄYTTÖ

- Apukahvojen kiinnittäminen ⑤
! **vedä pistoke pistorasiasta**
 - ruuvaa apukahva A työkalun oikealle tai vasemmalle puolelle (riippuen suoritettavasti tehtävästä)
 - kiinnitä apukahva B kuten kuvassa ja kiristä molemmat mukana tulleet ruuvit kuusiokulma-avaimella C
- Tarvikkeita kiinnittäminen ③
! **vedä pistoke pistorasiasta**
 - puhdista kara D ja kaikki kiinnitettävät osat
 - kierrä VELCRO-hiomalautanen E karaan D samalla kun painat karanlukituspainiketta F**! paina karan lukituspainiketta F vain, kun kara D on pysäytettyä**
 - riittää kun painat villakuvun G VELCRO-hiomalautasen päälle E
 - tarvikkeita poistettaessa tee se päinvastoin
- Ennen työkalun käyttöä
 - varmista, että tarvike on asetettu paikoilleen oikein ja kiinnitetty tiukasti
 - tarkista, että tarvike pääsee vapaasti liikkumaan, kääntämällä sitä käsin
 - koekäytä työkalua antamalla sen käydä vähintään 30 sekuntia maksiminopeudella kuormittamattomana
 - jos ilmenee voimakasta värinää tai muita vikoja, työkalu on heti kytkettävä pois päältä ja vian syy selvitettävä
- Käynnistys/pysäytys
 - käynnistä/sammuta koneesi painamalla/vapauttamalla kytkintä H ③
- Elektroninen pehmeäkäynnistys
Saavuttaa halutun maksiminopeuden ilman äkillistä nykäystä
- Kytkimen lukitseminen jatkuvaa käyttöä varten
 - paina kytkintä H
 - paina nuppia J peukalollasi
 - irroita lukitus painamalla uudelleen kytkintä H ja vapauttamalla se

- Nopeudensäätö ⑥
 - maksiminopeus voidaan säätää portaattomasti alimmasta korkeimpaan säätöpyörästä K (1-MAX)
 - aloita pyörä K asennossa 1 (pieni nopeus)
 - valitse suurempi nopeus tarvittaessa työkalun ollessa käynnissä
 - paras työskentelynopeus riippuu materiaalista ja se voidaan määrittää käytännön kokeilla
- Työkalun käyttö
 - käynnistä kone
 - aseta työkalu kokonaan kiillotettavalle pinnalle ja liikuta sitä tasaisesti alueittain
 - kunkin liikkeen tulisi mennä puoliiksi edellisen kanssa päällekkäin
 - älä pysähdy yhteen kohtaan, ettei pinnoite pala
 - älä liikuta työkalua pyörivin liikkein, jotta pinnoite ei tahraantuisi tai palaisi**! ennen koneen sammuttamista se tulee nostaa irti työkalupaleesta**
! kun työkalu on kytketty pois päältä, tarvitseen liike jatkuu vielä muutamia sekunteja
- Koneen pitäminen ja ohjaaminen ⑦
! pidä työkalusta kiinni aina työskentelyn aikana harmaan värisestä kädensija(o)ista
 - pidä työkalusta aina kiinni molemmin käsin niin että pystyt kontrolloimaan työkalua koko ajan
 - varmista tukeva asento**! älä käytä niin paljon painetta työkaluun nähden, että se pysähtyy**
 - pidä ilmanvaihto-aukkoja L ③ peittämättöminä

HOITO / HUOLTO

- Suojaa työkalu iskuilta, törmäyksiltä ja rasvaantumiselta
- Pidä työkalu ja johto puhtaina (varmista erityisesti ilma-aukkojen puhtaus L ③)
! irrota liitosjohto aina puhdistuksen ajaksi pistorasiasta
! älä yritä puhdistaa laitetta terävillä esineillä ilmanvaihtoreiät kautta
- Jos sähkötyökalussa, huolellisesta valmistuksesta ja koestuksenetelystä huolimatta esiintyy vikaa, tulee korjaus antaa SKIL sopimushuollon tehtäväksi
 - toimita työkalu sitä osiin **purkamatta** lähimpään SKIL-huoltoon (osoitteet ja työkalun huoltokaava ovat tarjolla web-osoitteessa www.skilmasters.com) ostotodiste mukaan liitettynä

YMPÄRISTÖNSUOJELU

- **Älä hävitä sähkötyökalua, tarvikkeita tai pakkausta tavallisen kotitalousjätteen mukana** (koskee vain EU-maita)
 - vanhoja sähkö- ja elektroniikkalaitteita koskevan EU-direktiivin 2002/96/ETY ja sen maakohtaisten sovellusten mukaisesti käytetyt sähkötyökalut on toimitettava ongelmajätteen keräyspisteeseen ja ohjattava ympäristöystävälliseen kierrätykseen
 - symboli ⑧ muistuttaa tästä, kun käytöstä poisto tulee ajankohtaiseksi

VAATIMUSTEN- MUKAISUUSVAKUUTUS

- Vakuutamme yksin vastaavamme siitä, että kohdassa "Tekniset tiedot" selostettu tuote vastaa seuraavia standardeja tai standardoituja asiakirjoja: EN 60745, EN 61000, EN 55014 direktiivien 2004/108/EY, 2006/42/EY, 2011/65/EU määräysten mukaan
- Tekninen tiedosto kohdasta:** SKIL Europe BV (PT-SEU/ENG1), 4825 BD Breda, NL

Marijn van der Hoofden
Operations & Engineering

Olaf Dijkgraaf
Approval Manager

SKIL Europe BV, 4825 BD Breda, NL

19.08.2013

MELUTÄRINÄ

- Mitattuna EN 60745 mukaan työkalun melutaso on 86 dB(A) ja yleensä työkalun äänen voimakkuus on 97 dB(A) (keskihajonta: 3 dB), ja tärinän voimakkuus 8,5 m/s² (käsi-käsivarsii metodi; epävarmuus K = 1,5 m/s²)
 - Tärinäsäteilytaso on mitattu standardin EN 60745 mukaisen standarditestin mukaisesti; sitä voidaan käyttää verrattaessa yhtä laitetta toiseen sekä alustavana tärinälle altistumisen arviona käytettäessä laitetta manituissa käyttötarkoituksissa
 - laitteen käyttö eri käyttötarkoituksiin tai erilaisten tai huonosti ylläpidettyjen lisälaitteiden kanssa voi **lisätä** merkittävästi altistumistasoa
 - laitteen ollessa sammuksissa tai kun se on käynnissä, mutta sillä ei tehdä työtä, altistumistaso voi olla huomattavasti **pienempi**
- ! suojaudu tärinän vaikutuksilta ylläpitämällä laite ja sen lisävarusteet, pitämällä kädet lämpiminä ja järjestämällä työmenetelmät**

E

Pulidora

9955

INTRODUCCIÓN

- Esta herramienta esta concebida para el pulido de superficies metálicas, de plástico y con recubrimiento, así como para el pulido de materiales de piedra sin el empleo de agua
- Lea y conserve este manual de instrucciones ②

DATOS TÉCNICOS ①

ELEMENTOS DE LA HERRAMIENTA ③

- A Empuñadura auxiliar
- B Empuñadura auxiliar (typo D)
- C Llave hexagonal
- D Eje
- E Disco de apoyo (VELCRO)
- F Botón de bloqueo del eje

- G Sombrero de lana
- H Interruptor de activación/desactivación
- J Botón de bloqueo del interruptor On/off
- K Rueda para regular la velocidad máxima
- L Ranuras de ventilación

SEGURIDAD

INSTRUCCIONES GENERALES DE SEGURIDAD

⚠ ¡ATENCIÓN! Lea íntegramente estas advertencias de peligro e instrucciones. En caso de no atenerse a las advertencias de peligro e instrucciones siguientes, ello puede ocasionar una descarga eléctrica, un incendio y/o lesión grave. **Guardar todas las advertencias de peligro e instrucciones para futuras consultas.** El término "herramienta eléctrica" empleado en las siguientes advertencias de peligro se refiere a herramientas eléctricas de conexión a la red (con cable de red) y a herramientas eléctricas accionadas por acumulador (o sea, sin cable de red).

1) SEGURIDAD DEL PUESTO DE TRABAJO

- Mantenga limpia y bien iluminada su área de trabajo.** El desorden o una iluminación deficiente en las áreas de trabajo pueden provocar accidentes.
- No utilice la herramienta eléctrica en un entorno con peligro de explosión, en el que se encuentren combustibles líquidos, gases o material en polvo.** Las herramientas eléctricas producen chispas que pueden llegar a inflamar los materiales en polvo o vapores.
- Mantenga alejados a los niños y otras personas de su área de trabajo al emplear la herramienta eléctrica.** Una distracción le puede hacer perder el control sobre la herramienta.

2) SEGURIDAD ELÉCTRICA

- El enchufe de la herramienta debe corresponder a la toma de corriente utilizada. No es admisible modificar el enchufe en forma alguna. No emplear adaptadores en herramientas dotadas con una toma de tierra.** Los enchufes sin modificar adecuados a las respectivas tomas de corriente reducen el riesgo de una descarga eléctrica.
- Evite que su cuerpo toque partes conectadas a tierra como tuberías, radiadores, cocinas y refrigeradores.** El riesgo a quedar expuesto a una descarga eléctrica es mayor si su cuerpo tiene contacto con tomas de tierra.
- No exponga las herramientas eléctricas a la lluvia o a condiciones de humedad.** Existe el peligro de recibir una descarga eléctrica si penetran líquidos en la herramienta.
- No utilice el cable de red para transportar o colgar la herramienta, ni tire de él para sacar el enchufe de la toma de corriente. Mantenga el cable de red alejado del calor, aceite, esquinas cortantes o piezas móviles.** Los cables de red dañados o enredados pueden provocar una descarga eléctrica.
- Al trabajar con la herramienta eléctrica en la intemperie utilice solamente cables de prolongación homologados para su uso en exteriores. La**

utilización de un cable de prolongación adecuado para su uso en exteriores reduce el riesgo de una descarga eléctrica.

- f) **Si el funcionamiento de una herramienta eléctrica en un lugar húmedo fuese inevitable, utilice un cortacircuito de fuga a tierra.** El uso de un cortacircuito de fuga a tierra reduce el riesgo de descarga eléctrica.
- 3) SEGURIDAD DE PERSONAS**
- a) **Esté atento y emplee la herramienta con prudencia. No utilice la herramienta eléctrica si estuviese cansado, ni bajo los efectos de alcohol, drogas o medicamentos.** El no estar atento durante el uso de una herramienta eléctrica puede provocarle serias lesiones.
- b) **Utilice un equipo de protección personal y en todo caso unas gafas de protección.** El riesgo a lesionarse se reduce considerablemente si, dependiendo del tipo y la aplicación de la herramienta eléctrica empleada, se utiliza un equipo de protección adecuado como una mascarilla antipolvo, zapatos de seguridad con suela antideslizante, casco, o protectores auditivos.
- c) **Evite una puesta en marcha fortuita. Asegurarse de que la herramienta eléctrica esté desconectada antes de conectarla a la toma de corriente y/o al montar el acumulador, al recogerla, y al transportarla.** Si transporta la herramienta eléctrica sujetándola por el interruptor de conexión/desconexión, o si introduce el enchufe en la toma de corriente con la herramienta eléctrica conectada, ello puede dar lugar a un accidente.
- d) **Retire las herramientas de ajuste o llaves fijas antes de conectar la herramienta eléctrica.** Una herramienta o llave colocada en una pieza rotativa puede producir lesiones graves al accionar la herramienta eléctrica.
- e) **Sea precavido. Trabaje sobre una base firme y mantenga el equilibrio en todo momento.** Ello le permitirá controlar mejor la herramienta eléctrica en caso de presentarse una situación inesperada.
- f) **Lleve puesta una vestimenta de trabajo adecuada. No utilice vestimenta amplia ni joyas. Mantenga su pelo, vestimenta y guantes alejados de las piezas móviles.** La vestimenta suelta, las joyas y el pelo largo se pueden enganchar con las piezas en movimiento.
- g) **Siempre que sea posible utilizar equipos de aspiración o captación de polvo, asegúrese que éstos estén montados y que sean utilizados correctamente.** El empleo de estos equipos reduce los riesgos derivados del polvo.
- 4) CUIDADO Y UTILIZACIÓN DE HERRAMIENTAS ELÉCTRICAS**
- a) **No sobrecargue la herramienta. Use la herramienta prevista para el trabajo a realizar.** Con la herramienta adecuada podrá trabajar mejor y con mayor seguridad dentro del margen de potencia indicado.
- b) **No utilice herramientas con un interruptor defectuoso.** Las herramientas que no se puedan conectar o desconectar son peligrosas y deben repararse.
- c) **Saque el enchufe de la red y/o desmonte el acumulador antes de realizar un ajuste en la herramienta eléctrica, cambiar de accesorio o al guardar la herramienta eléctrica.** Esta medida

preventiva reduce el riesgo de conectar accidentalmente la herramienta.

- d) **Guarde las herramientas fuera del alcance de los niños y de las personas que no estén familiarizadas con su uso.** Las herramientas utilizadas por personas inexpertas son peligrosas.
- e) **Cuide sus herramientas con esmero. Controle si funcionan correctamente, sin atascarse, las partes móviles de la herramienta, y si existen partes rotas o deterioradas que pudieran afectar al funcionamiento de la herramienta. Si la herramienta eléctrica estuviese defectuosa haga repararla antes de volver a utilizarla.** Muchos de los accidentes se deben a herramientas con un mantenimiento deficiente.
- f) **Mantenga los útiles limpios y afilados.** Los útiles mantenidos correctamente se dejan guiar y controlar mejor.
- g) **Utilice herramientas eléctricas, accesorios, útiles, etc. de acuerdo con estas instrucciones, teniendo en cuenta las condiciones de trabajo y la tarea a realizar.** El uso de herramientas eléctricas para trabajos diferentes de aquellos para los que han sido concebidas puede resultar peligroso.
- 5) SERVICIO**
- a) **Únicamente haga reparar su herramienta eléctrica por un profesional, empleando exclusivamente piezas de repuesto originales.** Solamente así se mantiene la seguridad de la herramienta eléctrica.

INSTRUCCIONES DE SEGURIDAD PARA PULIDORAS

1) INSTRUCCIONES DE SEGURIDAD PARA TODOS LOS TRABAJOS

- a) **Esta herramienta eléctrica está concebida para funcionar como pulidora. Observe todas las advertencias de peligro, instrucciones, ilustraciones y especificaciones técnicas que se suministran con la herramienta eléctrica.** En caso de no atenerse a las instrucciones siguientes, ello puede provocar una electrocución, incendio y/o lesiones serias.
- b) **No se recomienda el uso de esta herramienta eléctrica para operaciones de rectificado, de pulido con arena, de corte o de cepillado de cables.** Las operaciones para las que no está diseñada la herramienta eléctrica pueden generar riesgos y provocar daños personales.
- c) **Evite partes sueltas en la caperuza para pulir, especialmente el cordón de sujeción. Recoja o corte los cabos del cordón de sujeción.** Los cabos del cordón pueden engancharse con sus dedos o en la pieza de trabajo.
- d) **No emplee accesorios diferentes de aquellos que el fabricante haya previsto o recomendado especialmente para esta herramienta eléctrica.** El mero hecho de que sea acoplable un accesorio a su herramienta eléctrica no implica que su utilización resulte segura.
- e) **Las revoluciones admisibles del útil deberán ser como mínimo iguales a las revoluciones máximas indicadas en la herramienta eléctrica.** Aquellos accesorios que giren a unas revoluciones mayores a las admisibles pueden llegar a romperse.

- f) **El diámetro exterior y el grosor del útil deberán corresponder con las medidas indicadas para su herramienta eléctrica.** Los útiles de dimensiones incorrectas no pueden protegerse ni controlarse con suficiente seguridad.
- g) **Los útiles de fijación a rosca deberán ajustar exactamente en la rosca del husillo. En los útiles de fijación por brida su diámetro de encaje deberá ser compatible con el de alojamiento en la brida.** Los útiles que no vayan fijados exactamente sobre la herramienta eléctrica giran descentrados, vibran mucho, y pueden hacerle perder el control sobre la herramienta.
- h) **No use útiles dañados. Antes de cada uso inspeccione el estado de los útiles con el fin de detectar, p. ej., si están desportillados o fisurados los útiles de amolar, si está agrietado o muy desgastado el plato lijador, o si las púas de los cepillos de alambre están flojas o rotas. Si se le cae la herramienta eléctrica o el útil, inspeccione si han sufrido algún daño o monte otro útil en correctas condiciones. Una vez controlado y montado el útil sítuese Vd. y las personas circundantes fuera del plano de rotación del útil y deje funcionar la herramienta eléctrica en vacío, a las revoluciones máximas, durante un minuto.** Por lo regular, aquellos útiles que estén dañados suelen romperse al realizar esta comprobación.
- i) **Utilice un equipo de protección personal ④. Dependiendo del trabajo a realizar use una careta, una protección para los ojos, o unas gafas de protección. Dependiendo del trabajo a realizar, emplee una mascarilla antipolvo, protectores auditivos, guantes de protección o un mandil especial adecuado para protegerle de los pequeños fragmentos que pudieran salir proyectados.** Las gafas de protección deberán ser indicadas para protegerle de los fragmentos que pudieran salir despedidos al trabajar. La mascarilla antipolvo o respiratoria deberá ser apta para filtrar las partículas producidas al trabajar. La exposición prolongada al ruido puede provocarle sordera.
- j) **Cuide que las personas en las inmediaciones se mantengan a suficiente distancia de la zona de trabajo. Toda persona que acceda a la zona de trabajo deberá utilizar un equipo de protección personal.** Podrían ser lesionadas, incluso fuera del área de trabajo inmediato, al salir proyectados fragmentos de la pieza de trabajo o del útil.
- k) **Mantenga el cable de red alejado del útil en funcionamiento.** En caso de que Vd. pierda el control sobre la herramienta eléctrica puede llegar a cortarse o enredarse el cable de red con el útil y lesionarle su mano o brazo.
- l) **Jamás deposite la herramienta eléctrica antes de que el útil se haya detenido por completo.** El útil en funcionamiento puede llegar a tocar la base de apoyo y hacerle perder el control sobre la herramienta eléctrica.
- m) **No deje funcionar la herramienta eléctrica mientras la transporta.** El útil en funcionamiento podría lesionarle al engancharse accidentalmente con su vestimenta o pelo.
- n) **Limpie periódicamente las rejillas de refrigeración de su herramienta eléctrica.** El ventilador del motor

aspira polvo hacia el interior de la carcasa, y en caso de una acumulación fuerte de polvo metálico ello le puede provocar una descarga eléctrica.

- o) **No utilice la herramienta eléctrica cerca de materiales combustibles.** Las chispas producidas al trabajar pueden llegar a incendiar estos materiales.
- p) **No emplee útiles que requieran ser refrigerados con líquidos.** La aplicación de agua u otros refrigerantes líquidos puede comportar una descarga eléctrica.
- 2) CAUSAS DEL RECHAZO Y ADVERTENCIAS AL RESPECTO**
- El rechazo es una reacción brusca que se produce al atascarse o engancharse el útil, como un disco de amolar, plato lijador, cepillo de alambre, etc. Al atascarse o engancharse el útil en funcionamiento, éste es frenado bruscamente. Ello puede hacerle perder el control sobre la herramienta eléctrica y hacer que ésta salga impulsada en dirección opuesta al sentido de giro que tenía el útil.
 - En el caso de que, p. ej., un disco amolador se atasque o bloquee en la pieza de trabajo, puede suceder que el canto del útil que penetra en el material se enganche, provocando la rotura del útil o el rechazo del aparato. Según el sentido de giro y la posición del útil en el momento de bloquearse puede que éste resulte despedido hacia, o en sentido opuesto al usuario. En estos casos puede suceder que el útil incluso llegue a romperse.
 - El rechazo es ocasionado por la aplicación o manejo incorrecto de la herramienta eléctrica. Es posible evitarlo ateniéndose a las medidas preventivas que a continuación se detallan.
 - a) **Sujete con firmeza la herramienta eléctrica y mantenga su cuerpo y brazos en una posición propicia para resistir las fuerzas de reacción. Si forma parte del aparato, utilice siempre la empuñadura adicional para poder soportar mejor las fuerzas derivadas del rechazo y los pares de reacción en la puesta en marcha.** El usuario puede controlar la fuerza de rechazo y de reacción si toma unas medidas preventivas oportunas.
 - b) **Jamás aproxime su mano al útil en funcionamiento.** En caso de un rechazo el útil podría lesionarle la mano.
 - c) **No se sitúe dentro del área hacia el que se moverá la herramienta eléctrica al ser rechazada.** Al resultar rechazada la herramienta eléctrica saldrá despedida desde el punto de bloqueo en dirección opuesta al sentido de giro del útil.
 - d) **Tenga especial precaución al trabajar esquinas, cantos afilados, etc. Evite que el útil de amolar rebote contra la pieza de trabajo o que se atasque.** En las esquinas, cantos afilados, o al rebotar, el útil en funcionamiento tiende a atascarse. Ello puede hacerle perder el control o causar un rechazo del útil.
 - e) **No utilice hojas de sierra para madera ni otros útiles dentados.** Estos útiles son propensos al rechazo y pueden hacerle perder el control sobre la herramienta eléctrica.

GENERAL

- Utilice esta herramienta sólo para pulido en seco
- Utilice únicamente las bridas que se entregan con esta herramienta

- Esta herramienta no debe utilizarse por personas menores de 16 años
- **Desenchufar siempre la herramienta antes de realizar cualquier ajuste o cambiar algún accesorio**
- **No trabaje materiales que contengan amianto** (el amianto es cancerígeno)

ACCESORIOS

- SKIL únicamente puede garantizar un funcionamiento correcto de la herramienta, cuando se utilicen los accesorios adecuados que podrá obtener de su proveedor de SKIL
- Cuando monte/utilice accesorios distintos de la marca SKIL, respete las instrucciones del fabricante
- Utilice únicamente accesorios cuyo límite de revoluciones permitido sea como mínimo igual a las revoluciones en vacío máximas de la herramienta
- Nunca utilice accesorios con un agujero "ciego" roscado inferior a M14 x 21 mm
- No utilice accesorios dañados, deformados o que vibran

USO EXTERIOR

- Cuando utilice la herramienta en el exterior, enchúfela a través del interruptor de la corriente (FI) con un interruptor diferencial de 30 mA como máximo; sólo utilice un cable de extensión apropiado para su uso en el exterior y equipado con un enchufe a prueba de salpicaduras

ANTES DEL USO

- Compruebe siempre que la tensión de alimentación es la misma que la indicada en la placa de características de la herramienta (las herramientas de 230V o 240V pueden conectarse también a 220V)
- Instale siempre la empuñadura auxiliar A ③ o B ③; no utilice nunca la herramienta sin el mismo
- El polvo del material, como por ejemplo la pintura que contiene plomo, algunas especies de madera, minerales y metal podrían ser dañinos (el contacto o inhalación del polvo podría producir reacciones alérgicas y/o trastornos respiratorios al operador u otras personas cerca); **utilice una máscara contra el polvo y trabaje con un dispositivo de extracción de polvo cuando lo conecte**
- Ciertos tipos de polvo están catalogados como cancerígenos (por ejemplo el polvo de roble y de haya) especialmente junto con aditivos para el acondicionamiento de la madera; **utilice una máscara contra el polvo y trabaje con un dispositivo de extracción de polvo cuando lo conecte**
- Siga la normativa nacional en cuanto a extracción de polvo, en función de los materiales que vayan a ser utilizados
- **Asegure la pieza de trabajo** (una pieza de trabajo fijada con unos dispositivos de sujeción o en un tornillo de banco, se mantiene sujeta de forma mucho más segura que con la mano)
- No sujete la herramienta a un banco
- Utilice cables de extensión seguros y completamente desenrollados con una capacidad de 16 amperios

DURANTE EL USO

- Cuando trabaje mantenga siempre firme la herramienta con ambas manos y adopte una posición estable
- Mantenga siempre el cable lejos de las partes móviles de la herramienta; mantenga el cable detrás de usted, lejos de la herramienta

- Si llega a dañarse o cortarse el cable eléctrico durante el trabajo, no tocar el cable, sino extraer inmediatamente el enchufe de la red
- No utilizar la herramienta cuando el cable esté dañado; hágalo cambiar por una persona calificada
- En el caso de que se produjera un mal funcionamiento eléctrico o mecánico, apague inmediatamente la herramienta y desconecte el enchufe
- En caso de producirse un corte de corriente o cuando el enchufe se desconecta accidentalmente, suelte el interruptor H ③ con el fin de prevenir que se vuelva a poner en marcha de manera descontrolada

DESPUÉS DEL USO

- Antes de poner la herramienta en el suelo, apague el motor y asegúrese de que todas las piezas móviles están completamente paradas
- Después de apagar la herramienta, nunca detenga la rotación del accesorio ejerciendo una fuerza lateral contra él

USO

- Montaje de empuñaduras auxiliares ⑤
 - ! **desenchufar la herramienta**
 - enrosque la empuñadura auxiliar A en uno de los lados de la herramienta (según el tipo de trabajo que vaya a realizar)
 - monte la empuñadura auxiliar B como se ilustra y apriete los tornillos suministrados con la llave hexagonal C
 - Montaje de accesorios ③
 - ! **desenchufar la herramienta**
 - limpie el eje D y todas las piezas que vaya a montar
 - enrosque el disco de apoyo VELCRO E en el eje D mientras aprieta el botón de bloqueo del eje F
 - ! **sólo pulse el botón de bloqueo del eje F cuando el eje D esté inmóvil**
 - simplemente presione el sombrerete de lana G sobre el disco de apoyo VELCRO E
 - para desmontar los accesorios, proceda de modo inverso
 - Antes de utilizar la herramienta
 - asegúrese de que el accesorio esté correctamente montado y firmemente apretado
 - compruebe que el accesorio se mueve libremente al girarlo con la mano
 - pruebe la herramienta al dejarla funcionar en una posición segura durante al menos 30 segundos a la máxima velocidad en vacío
 - deténgala inmediatamente en caso de vibraciones considerables u otros defectos, y examine la herramienta para determinar su posible causa
 - Encendido/apagado
 - ponga en marcha/pare su herramienta apretando/soltando el gatillo H ③
- Arranque suave electrónico
Asegura el alcance de la velocidad máxima suavemente sin la reacción súbita de la herramienta al conectarla
- Bloqueo del interruptor para uso permanente
 - apriete el gatillo H
 - apriete el botón J con su dedo pulgar
 - apaga la herramienta apretando el gatillo H una vez más y luego soltándolo

- Control de velocidad ⑥
 - con la rueda K puede regularse, sin escalonamientos, la velocidad máxima desde la posición más baja hasta la más alta (1-MAX)
 - comience con la rueda K en la posición 1 (velocidad inferior)
 - si es necesario, seleccione una velocidad mayor mientras funciona la herramienta
 - la velocidad óptima de trabajo depende del material y puede determinarse con la práctica
- Utilización de la herramienta
 - ponga en marcha la herramienta
 - apoye la herramienta completamente sobre la superficie a pulir y desplácela uniformemente por secciones
 - cada desplazamiento debe presentar un solape de la mitad respecto al anterior desplazamiento
 - no la detenga en un punto concreto para evitar que se queme el recubrimiento
 - no desplace la herramienta en círculos para evitar que se manche o se queme el recubrimiento
- ! antes de desactivar la herramienta, debe retirarla de la pieza de trabajo**
- ! después de haber apagado la herramienta el accesorio continuará girando durante un corte período de tiempo**
- Sujección y manejo de la herramienta ⑦
 - ! durante el trabajo, sujete siempre la herramienta por la(s) zona(s) de empuñadura de color gris**
 - sujete siempre firmemente la herramienta con ambas manos para tener el control todo el tiempo
 - adopte una postura segura
 - ! no aplique mucha presión sobre la herramienta para evitar que se pare**
 - mantenga las ranuras de ventilación L ③ descubiertas

MANTENIMIENTO / SERVICIO

- Proteja la herramienta frente a golpes, choques y grasa
- Mantenga limpio el cable eléctrico y la herramienta (sobre todo las ranuras de ventilación L ③)
 - ! desenchufar la herramienta antes de limpiar**
 - ! no intentar limpiar insertando objetos puntiagudos a través de las ranuras de ventilación**
- Si a pesar de los esmerados procesos de fabricación y control, la herramienta llegase a averiarse, la reparación deberá encargarse a un servicio técnico autorizado para herramientas eléctricas SKIL
 - envíe la herramienta **sin desmontar** junto con una prueba de su compra a su distribuidor o a la estación de servicio más cercana de SKIL (los nombres así como el despiece de piezas de la herramienta figuran en www.skilmasters.com)

AMBIENTE

- No deseche las herramientas eléctricas, los accesorios y embalajes junto con los residuos domésticos** (sólo para países de la Unión Europea)
 - de conformidad con la Directiva Europea 2002/96/CE sobre residuos de aparatos eléctricos y electrónicos y su aplicación de acuerdo con la legislación nacional,

las herramientas eléctricas cuya vida útil haya llegado a su fin se deberán recoger por separado y trasladar a una planta de reciclaje que cumpla con las exigencias ecológicas

- símbolo ⑧ llamará su atención en caso de necesidad de tirarlas

DECLARACIÓN DE CONFORMIDAD CE

- Declaramos bajo nuestra sola responsabilidad que el producto descrito bajo "Datos técnicos" está en conformidad con las normas o documentos normalizados siguientes: EN 60745, EN 61000, EN 55014, de acuerdo con las disposiciones en las directivas 2004/108/CE, 2006/42/CE, 2011/65/UE
- Expediente técnico en:** SKIL Europe BV (PT-SEU/ENG1), 4825 BD Breda, NL

Marijn van der Hoofden Olaf Dijkgraaf
Operations & Engineering Approval Manager




SKIL Europe BV, 4825 BD Breda, NL

19.08.2013

RUIDOS/VIBRACIONES

- Medido según EN 60745 el nivel de la presión acústica de esta herramienta se eleva a 86 dB(A) y el nivel de la potencia acústica a 97 dB(A) (desviación estándar: 3 dB), y la vibración a 8,5 m/s² (método brazo-mano; incertidumbre K = 1,5 m/s²)
- El nivel de emisión de vibraciones ha sido medido según una prueba estándar proporcionada en EN 60745; puede utilizarse para comparar una herramienta con otra y como valoración preliminar de la exposición a las vibraciones al utilizar la herramienta con las aplicaciones mencionadas
 - al utilizarla para distintas aplicaciones o con accesorios diferentes o con un mantenimiento deficiente, podría **augmentar** de forma notable el nivel de exposición
 - en las ocasiones en que se apaga la herramienta o cuando está funcionando pero no está realizando ningún trabajo, se podría **reducir** el nivel de exposición de forma importante
- ! protéjase contra los efectos de la vibración realizando el mantenimiento de la herramienta y sus accesorios, manteniendo sus manos calientes y organizando sus patrones de trabajo**



Máquina de polir

9955

INTRODUÇÃO

- Esta ferramenta serve para polir superfícies metálicas, plásticas e revestidas, assim como para polir materiais de pedra sem a utilização de água
- Leia e guarde este manual de instruções ②

DADOS TÉCNICOS ①

ELEMENTOS DA FERRAMENTA ③

- A Punho auxiliar
- B Punho auxiliar (tipo D)
- C Chave sextavada
- D Veio
- E Prato de borracha (VELCRO)
- F Botão de bloqueio do veio
- G Cobertura de lâ
- H Interruptor para ligar/desligar
- J Botão do interruptor para bloquear/desbloquear
- K Roda para controle da velocidade máxima
- L Aberturas de ventilação

SEGURANÇA

INSTRUÇÕES GERAIS DE SEGURANÇA

⚠ ATENÇÃO! Devem ser lidas todas as indicações de advertência e todas as instruções. O desrespeito das advertências e instruções apresentadas abaixo pode causar choque eléctrico, incêndio e/ou graves lesões. **Guarde bem todas as advertências e instruções para futura referência.** O termo “ferramenta eléctrica” utilizado a seguir nas indicações de advertência, refere-se a ferramentas eléctricas operadas com corrente de rede (com cabo de rede) e a ferramentas eléctricas operadas com acumulador (sem cabo de rede).

1) SEGURANÇA DA ÁREA DE TRABALHO

- a) **Mantenha a sua área de trabalho limpa e arrumada.** Desordem ou áreas de trabalho com fraca iluminação podem causar acidentes.
- b) **Não trabalhar com a ferramenta eléctrica em áreas com risco de explosão, nas quais se encontrem líquidos, gases ou pós inflamáveis.** Ferramentas eléctricas produzem faíscas que podem provocar a ignição de pó e vapores.
- c) **Mantenha crianças e outras pessoas afastadas da ferramenta eléctrica durante o trabalho com a ferramenta.** Distrações podem causar a falta de controle sobre o aparelho.

2) SEGURANÇA ELÉCTRICA

- a) **A ficha da ferramentas eléctricas devem caber na tomada. A ficha não deve ser modificada de modo algum. Não utilize quaisquer fichas de adaptação junto com ferramentas eléctricas ligadas à terra.** Fichas sem modificações e tomadas adequadas reduzem o risco de choques eléctricos.

- b) **Evite que o corpo entre em contacto com superfícies ligadas à terra, como por exemplo tubos, radiadores, fogões e geladeiras.** Há um risco elevado de choques eléctricos, caso o corpo for ligado à terra.
- c) **A ferramenta eléctrica não deve ser exposta à chuva nem humidade.** A penetração de água na ferramenta eléctrica aumenta o risco de choques eléctricos.
- d) **O cabo do aparelho não deve ser utilizado para o transporte, para pendurar o aparelho, nem para puxar a ficha da tomada. Mantenha o cabo afastado de calor, óleo, cantos afiados ou partes em movimento do aparelho.** Cabos danificados ou torcidos aumentam o risco de choques eléctricos.
- e) **Ao trabalhar com a ferramenta eléctrica ao ar livre, use um cabo de extensão apropriado para áreas externas.** O uso de um cabo apropriado para áreas externas reduz o risco de choques eléctricos.
- f) **Se não for possível evitar o funcionamento da ferramenta eléctrica em áreas húmidas, deverá ser utilizado uma disjuntor de corrente de avaria.** A utilização de um disjuntor de corrente de avaria reduz o risco de um choque eléctrico.

3) SEGURANÇA DE PESSOAS

- a) **Esteja alerta, observe o que está a fazer, e tenha prudência ao trabalhar com a a ferramenta eléctrica. Não use a ferramenta eléctrica se estiver fatigado ou sob a influência de drogas, álcool ou medicamentos.** Um momento de falta de atenção durante a operação da ferramenta eléctrica pode causar graves lesões.
- b) **Utilizar equipamento de protecção pessoal e sempre óculos de protecção.** A utilização de equipamento de protecção pessoal, como máscara de protecção contra pó, sapatos de segurança antiderrapantes, capacete de segurança ou protecção auricular, de acordo com o tipo e aplicação da ferramenta eléctrica, reduz o risco de lesões.
- c) **Evitar uma colocação em funcionamento involuntária. Assegure-se de que a ferramenta eléctrica esteja desligada, antes de conectá-la à alimentação de rede e/ou ao acumulador, antes de levantá-la ou de transportá-la.** Se tiver o dedo no interruptor ao transportar a ferramenta eléctrica ou se o aparelho for conectado à alimentação de rede enquanto estiver ligado, poderão ocorrer acidentes.
- d) **Remover chaves de ajustes ou chaves de fenda, antes de ligar a ferramenta eléctrica.** Uma chave de fenda ou chave de ajuste que se encontre numa parte móvel do aparelho, pode levar a lesões.
- e) **Não se sobrestime. Mantenha uma posição firme e mantenha sempre o equilíbrio.** Desta forma poderá ser mais fácil controlar o aparelho em situações inesperadas.
- f) **Use roupa apropriada. Não use roupa larga ou jóias. Mantenha o cabelo, roupa e luvas afastadas de partes em movimento.** Roupas largas, jóias ou cabelos longos podem ser agarradas por partes em movimento.
- g) **Se for prevista a montagem de dispositivos de aspiração de pó e de dispositivos de recolha, assegure-se de que estão conectados e que sejam**

utilizados de forma correcta. A utilização de uma aspiração de pó pode reduzir o perigo devido ao pó.

4) USO E TRATAMENTO DE FERRAMENTAS ELÉCTRICAS

- a) **Não sobrecarregue a ferramenta eléctrica. Use para o seu trabalho a ferramenta eléctrica correcta.** A ferramenta correcta realizará o trabalho de forma melhor e mais segura dentro da faixa de potência indicada.
- b) **Não utilize a ferramenta eléctrica se o interruptor não puder ser ligado nem desligado.** Qualquer ferramenta eléctrica que não possa ser controlada através do interruptor de ligar-desligar, é perigosa e deve ser reparada.
- c) **Puxar a ficha da tomada e/ou remover o acumulador antes de executar ajustes na ferramenta, de substituir acessórios ou de guardar a ferramenta.** Esta medida de segurança evita que a ferramenta eléctrica seja ligada acidentalmente.
- d) **Guarde ferramentas eléctricas que não estiverem sendo utilizadas, for a do alcance de crianças. Não permita que o aparelho seja utilizado por pessoas não familiarizadas com o mesmo ou que não tenham lido estas instruções.** Ferramentas eléctricas são perigosas nas mãos de pessoas sem treinamento.
- e) **Trate a sua ferramenta eléctrica com cuidado. Verifique se as partes móveis do aparelho funcionam perfeitamente e não emperram, se há peças quebradas ou danificadas, que possam influenciar o funcionamento do aparelho. Peças danificadas devem ser reparadas antes da utilização do aparelho.** Muitos acidentes tem como causa uma manutenção insuficiente das ferramentas eléctricas.
- f) **Mantenha as ferramentas de corte sempre afiadas e limpas.** Ferramentas de cortes devidamente tratadas, com cantos afiados travam com menos frequência e podem ser controladas com maior facilidade.
- g) **Use a ferramenta eléctrica, os acessórios os bits da ferramenta etc., de acordo com estas instruções. Considere também as condições de trabalho e o trabalho a ser efectuado.** A utilização da ferramenta eléctrica para outros fins que os previstos, pode resultar em situações perigosas.

5) SERVIÇO

- a) **A sua ferramenta eléctrica só deve ser reparada por pessoal qualificado e só devem ser colocadas peças sobressalentes originais.** Desta forma é assegurada a segurança da ferramenta eléctrica.

INSTRUÇÕES DE SEGURANÇA PARA MÁQUINAS DE POLIR

1) INSTRUÇÕES DE SEGURANÇA PARA TODAS AS APLICAÇÕES

- a) **Esta ferramenta eléctrica pode ser utilizada como máquina para polir. Observar todas as indicações de aviso, instruções, apresentações e dados fornecidos com a ferramenta eléctrica.** O desrespeito das seguintes instruções pode levar a um choque eléctrico, incêndio e/ou graves lesões.
- b) **Esta ferramenta eléctrica não é recomendada para operações de rectificação, lixagem, escovagem ou corte.** As operações para as quais a ferramenta eléctrica

não foi concebida podem criar perigo e provocar lesões pessoais.

- c) **Não permitir que hajam partes soltas da boina de polimento, principalmente cordões de fixação. Os cordões de fixação devem ser bem arrumados ou cortados.** Cordões de fixação soltos e em rotação podem agarrar os seus dedos ou prender-se na peça a ser trabalhada.
- d) **Não utilizar acessórios, que não foram especialmente previstos e recomendados pelo fabricante para esta ferramenta eléctrica.** O facto de poder fixar o acessório a esta ferramenta eléctrica, não garante uma aplicação segura.
- e) **O número de rotação admissível da ferramenta de trabalho deve ser no mínimo tão alto quanto o máximo número de rotação indicado na ferramenta eléctrica.** Acessórios que girem mais rápido do que permitido, podem ser destruídos.
- f) **O diâmetro exterior e a espessura da ferramenta de trabalho devem corresponder às indicações de medida da sua ferramenta eléctrica.** Ferramentas de trabalho incorrectamente medidas podem não ser suficientemente blindadas nem controladas.
- g) **Ferramentas de trabalho com encaixe roscado devem caber exactamente na rosca do veio de rectificação.** Para ferramentas de trabalho montadas com flange é necessário que o diâmetro do furo da ferramenta de trabalho tenha as dimensões apropriadas para o flange. Ferramentas de trabalho, que não são fixas exactamente na ferramenta eléctrica, giram de forma irregular, vibram fortemente e podem levar à perda de controlo.
- h) **Não utilizar ferramentas de trabalho danificadas.** Antes de cada utilização deverá controlar as ferramentas de trabalho, e verificar se por exemplo os discos abrasivos apresentam fissuras e estilhaços, se pratos abrasivos apresentam fissuras, se há desgaste ou forte atrição, se as escovas de arame apresentam arames soltos ou quebrados. Se a ferramenta eléctrica ou a ferramenta de trabalho caírem, deverá verificar se sofreram danos, ou deverá utilizar uma ferramenta de trabalho intacta. Após ter controlado e introduzido a ferramenta de trabalho, deverá manter a própria pessoa e as pessoas que se encontrem nas proximidades, fora do nível de rotação da ferramenta de trabalho e permitir que a ferramenta eléctrica funcione durante um minuto com o máximo número de rotação. A maioria das ferramentas de trabalho danificadas quebram durante este período de teste.
- i) **Utilizar um equipamento de protecção pessoal ④.** De acordo com a aplicação, deverá utilizar uma protecção para todo o rosto, protecção para os olhos ou um óculos protector. Se for necessário, deverá utilizar uma máscara contra pó, protecção auricular, luvas de protecção ou um avental especial, que mantenha afastadas pequenas partículas de amoladura e de material. Os olhos devem ser protegidos contra partículas a voar, produzidas durante as diversas aplicações. A máscara contra pó ou a máscara de respiração deve ser capaz de

filtrar o pó produzido durante a respectiva aplicação. Se for sujeito durante longo tempo a fortes ruídos, poderá sofrer a perda da capacidade auditiva.

- j) **Observe que as outras pessoas mantenham uma distância segura em relação ao seu local de trabalho. Cada pessoa que entrar na área de trabalho, deverá usar um equipamento de protecção pessoal.** Estilhaços da peça a ser trabalhada ou ferramentas de trabalho quebradas podem voar e causar lesões fora da área imediata de trabalho.
- k) **Mantenha o cabo de rede afastado de ferramentas de trabalho em rotação.** Se perder o controlo sobre a ferramenta eléctrica, é possível que o cabo de rede seja cortado ou enganchado e a sua mão ou braço sejam puxados contra a ferramenta de trabalho em rotação.
- l) **Jamais deposite a ferramenta eléctrica, antes que a ferramenta de trabalho esteja completamente parada.** A ferramenta de trabalho em rotação pode entrar em contacto com a superfície de apoio, provocando uma perda de controlo da ferramenta eléctrica.
- m) **Não permitir que a ferramenta eléctrica funcione enquanto estiver a transportá-la.** A sua roupa pode ser agarrada devido a um contacto acidental com a ferramenta de trabalho em rotação, de modo que a ferramenta de trabalho possa ferir o seu corpo.
- n) **Limpar regularmente as aberturas de ventilação da sua ferramenta eléctrica.** A ventoinha do motor puxa pó para dentro da carcaça, e uma grande quantidade de pó de metal pode causar perigos eléctricos.
- o) **Não utilizar a ferramenta eléctrica perto de materiais inflamáveis.** Faiscas podem incendiar estes materiais.
- p) **Não utilizar ferramentas de trabalho que necessitem agentes de refrigeração líquidos.** A utilização de água ou de outros agentes de refrigeração líquidos pode provocar um choque eléctrico.
- 2) CONTRA-GOLPE E RESPECTIVAS INDICAÇÕES DE AVISO**
- Contra-golpe é uma repentina reacção devido a uma ferramenta de trabalho travada ou bloqueada, como por exemplo um disco abrasivo, um prato abrasivo, uma escova de arame etc. Um travamento ou um bloqueio levam a uma parada abrupta da ferramenta de trabalho em rotação. Desta forma, uma ferramenta eléctrica descontrolada é acelerada no local do bloqueio, no sentido contrário da rotação da ferramenta de trabalho.
 - Se por exemplo um disco abrasivo travar ou bloquear numa peça a ser trabalhada, o canto do disco abrasivo pode mergulhar na peça a ser trabalhada e encravar-se, quebrando o disco abrasivo ou causando um contra-golpe. O disco abrasivo se movimenta então no sentido do operador ou para longe deste, dependendo do sentido de rotação do disco no local do bloqueio. Também é possível que os discos abrasivos quebrem.
 - Um contra-golpe é a consequência de uma utilização incorrecta ou indevida da ferramenta eléctrica. Ele pode ser evitado por apropriadas medidas de cuidado, como descrito a seguir.
- a) **Segurar firmemente a ferramenta eléctrica e posicionar o seu corpo e os braços de modo que possa resistir às forças de um contra-golpe. Sempre**

utilizar o punho adicional, se existente, para assegurar o máximo controlo possível sobre as forças de um contra-golpe ou sobre momentos de reacção durante o arranque. O operador pode controlar as forças de contra-golpe e as forças de reacção através de medidas de cuidado apropriadas.

- b) **Jamais permita que as suas mãos se encontrem perto de ferramentas de trabalho em rotação.** No caso de um contra-golpe a ferramenta de trabalho poderá passar pela sua mão.
- c) **Evite que o seu corpo se encontre na área, na qual a ferramenta eléctrica possa ser movimentada no caso de um contra-golpe.** O contra-golpe força a ferramenta eléctrica no sentido contrário ao movimento do disco abrasivo no local do bloqueio.
- d) **Trabalhar com especial cuidado na área ao redor de esquinas, cantos afiados etc. Evite que ferramentas de trabalho sejam ricocheteadas pela peça a ser trabalhada e travadas.** A ferramenta de trabalho em rotação tende a travar em esquinas, em cantos afiados ou se for ricocheteada. Isto causa uma perda de controlo ou um contra-golpe.
- e) **Não utilizar lâminas de serra de correias ou dentadas.** Estas ferramentas de trabalho causam frequentemente um contra-golpe ou a perda de controlo sobre a ferramenta eléctrica.

GENERAL

- Utilize esta ferramenta apenas para polimento a seco
- Utilize apenas os anéis fornecidos com a ferramenta
- Esta ferramenta não deve ser utilizada por pessoas menores de 16 anos
- **Desligue sempre a ficha da tomada antes de proceder a qualquer ajustamento ou troca de acessório**
- **Não processar material que contenha asbesto** (asbesto é considerado como sendo cancerígeno)

ACESSÓRIOS

- A SKIL só pode garantir um funcionamento perfeito da ferramenta, quando utilizada com os acessórios adequados que poderá adquirir nos revendedores autorizados SKIL
- Para montar/usar acessórios de outras marcas que não sejam SKIL, respeite as instruções do respectivo fabricante
- Utilize apenas acessórios com um número de rotação admissível no mínimo tão alto como o mais alto número de rotação em vazio da ferramenta
- Nunca utilize acessórios com uma abertura "fechada" de rosca inferior a M14 x 21 mm
- Não utilize acessórios que estejam danificados, deformados ou que vibrem

UTILIZAÇÃO NO EXTERIOR

- Quando utilizar a ferramenta no exterior, ligue-a utilizando um disjuntor de corrente de falha (FI) com uma corrente de disparo de 30 mA no máximo e utilize apenas uma extensão destinada a utilização no exterior e que esteja equipada com uma tomada de união à prova de salpicos

ANTES DA UTILIZAÇÃO

- Certifique-se sempre de que a tensão de alimentação está de acordo com a tensão indicada na placa de identificação da ferramenta (ferramentas com a indicação de 230V ou 240V também podem ser ligadas a uma fonte de 220V)
- Monte sempre a pega auxiliar A ③ ou B ③; nunca utilize a ferramenta sem a pega
- O pó do material, como tinta com chumbo, algumas espécies de madeira, minerais e metais, pode ser prejudicial (contacto ou inalação do pó pode provocar reacções alérgicas e/ou doenças respiratórias ao operador ou às pessoas presentes); **use máscara respiratória e trabalhe com um dispositivo de extracção de pó quando ligado a**
- Determinados tipos de pó são classificados como substâncias cancerígenas (como pó de carvalho e faia), em especial, juntamente com aditivos para acondicionamento da madeira; **use máscara respiratória e trabalhe com um dispositivo de extracção de pó quando ligado a**
- Siga o regulamento nacional quanto a extração de pó, em função dos materiais que vão ser utilizados
- **Fixe a peça de trabalho** (uma peça de trabalho fixa com dispositivos de fixação ou num torno fica melhor fixa do que manualmente)
- Não fixe a ferramenta num torno
- Utilize extensões completamente desenroladas e seguras, com uma capacidade de 16 Amp

DURANTE A UTILIZAÇÃO

- Durante o trabalho segure sempre a ferramenta firmemente com ambas as mãos e mantenha uma posição firme
- Mantenha sempre o fio afastado das peças rotativas da ferramenta; coloque o fio para trás, fora do alcance da ferramenta
- Caso o fio for danificado ou cortado durante o trabalho, não toque no fio, mas tire imediatamente a ficha da tomada
- Não utilizar ferramenta caso o fio esteja danificado; mandando-o substituir por pessoal qualificado
- Em caso de anomalias eléctricas ou mecânicas, desligue imediatamente a ferramenta e tire a ficha da tomada
- Em caso de interrupção na corrente ou se a ficha for retirada da tomada por engano, solte o interruptor H ④ por forma a impedir que a ferramenta volte a arrancar descontroladamente

APÓS A UTILIZAÇÃO

- Antes de descansar a ferramenta, desligue o motor e certifique-se de que todas as peças rotativas estão paradas
- Depois de desligar a ferramenta, nunca páre a rotação do acessório exercendo força lateral sobre o mesmo

MANUSEAMENTO

- Montagem de pegas auxiliares ⑤
! desligar a ferramenta da fonte de corrente
- aparafuse a pega lateral A do lado direito ou esquerdo da ferramenta (dependendo do trabalho que vá efectuar)

- monte a pega auxiliar B conforme ilustrado e aperte ambos os parafusos fornecidos com a chave hexagonal C
- Montagem de acessórios ③
! desligar a ferramenta da fonte de corrente
- limpe o veio D e todas as peças que vão ser montadas
- aparafuse o disco de suporte VELCRO E no veio D enquanto empurra o botão de fecho do veio F
! carregue no botão de fecho do veio F apenas quando o veio D estiver parado
- prima a cobertura de lâ G contra o disco de suporte VELCRO E
- para a desmontagem de acessórios, proceda ao contrário
- Antes de utilizar a ferramenta
- assegure-se que o acessório está correctamente montado e apertado com firmeza
- verifique que o acessório gira livremente rodando-o com a mão
- ligue a ferramenta em vazio durante pelo menos 30 segundos na rotação máxima e numa posição de segurança
- desligue imediatamente a ferramenta em caso de vibração excessiva ou outros defeitos de funcionamento, e verifique a causa do sucedido
- Ligar/desligar
- ligue/desligue a ferramenta premindo/soltando o gatilho H ③
- Arranque suave electrónico
Para conseguir suavemente a velocidade máxima sem o impacto súbito que o arranque origina
- Fixação do interruptor para utilização contínua
- premir o gatilho H
- apertar o botão J com o polegar
- desligue o interruptor apertando de novo o gatilho H e soltando-o de seguida
- Controle de velocidade ⑥
- com a roda K pode regular-se gradualmente a velocidade máxima da baixa até alta (1-MAX)
- comece com a roda K na posição 1 (velocidade mais baixa)
- se for necessário, seleccione uma velocidade mais elevada com a ferramenta em funcionamento
- a velocidade de trabalho óptima depende do material e pode ser determinada pelas tentativas práticas
- Utilização da ferramenta
- ligue a ferramenta
- coloque a ferramenta completamente na superfície que pretende polir e mova-a uniformemente por secções
- um movimento deve sobrepor o movimento anterior numa metade
- não pare num local para evitar a queimadura do revestimento
- não mova a ferramenta em círculos para evitar manchas ou queimaduras no revestimento
! antes de desligar a ferramenta, deve levantá-la da peça de trabalho
! o acessório continua a sua rotação durante um curto período de tempo, mesmo depois de a ferramenta já ter sido desligada

- Segurar e guiar a ferramenta ⑦
- ! **durante o trabalho, segure sempre a ferramenta na(s) área(s) de fixação cinzenta(s)**
- segure sempre a ferramenta com firmeza utilizando ambas as mãos, por forma a ter sempre o controlo total da ferramenta
- mantenha uma posição estável
- ! **não aplique demasiada pressão na ferramenta que a faça parar**
- mantenha as aberturas de ventilação L ③ destapadas

MANUTENÇÃO / SERVIÇO

- Proteja a ferramenta contra impactos, choques e gordura
- Mantenha a ferramenta e o fio sempre limpos (especialmente as ranhuras de respiração L ③)
- ! **desligar a ferramenta da fonte de corrente antes de limpar**
- ! **evitar utilizar objectos pontiagudos na limpeza das ranhuras de respiração**
- Se a ferramenta falhar apesar de cuidadosos processos de fabricação e de teste, a reparação deverá ser executada por uma oficina de serviço autorizada para ferramentas eléctricas SKIL
- envie a ferramenta **sem desmontar**, juntamente com a prova de compra, para o seu revendedor ou para o centro de assistência SKIL mais próximo (os endereços assim como a mapa de peças da ferramenta estão mencionados no www.skilmasters.com)

AMBIENTE

- **Não deite ferramentas eléctricas, acessórios e embalagem no lixo doméstico** (apenas para países da UE)
- de acordo com a directiva europeia 2002/96/CE sobre ferramentas eléctricas e electrónicas usadas e a transposição para as leis nacionais, as ferramentas eléctricas usadas devem ser recolhidas em separado e encaminhadas a uma instalação de reciclagem dos materiais ecológica
- símbolo ⑧ lhe avisará em caso de necessidade de arranjar-las

DECLARAÇÃO DE CONFORMIDADE CE

- Declaramos sob nossa exclusiva responsabilidade que o produto descrito em "Dados técnicos" cumpre as seguintes normas ou documentos normativos: EN 60745, EN 61000, EN 55014, conforme as disposições das directivas 2004/108/CE, 2006/42/CE, 2011/65/UE
- **Processo técnico em:** SKIL Europe BV (PT-SEU/ENG1), 4825 BD Breda, NL

Marijn van der Hoofden
Operations & Engineering

Olaf Dijkgraaf
Approval Manager

SKIL Europe BV, 4825 BD Breda, NL

19.08.2013

RÚIDO/VIBRAÇÕES

- Medido segundo EN 60745 o nível de pressão acústica desta ferramenta é 86 dB(A) e o nível de potência acústica 97 dB(A) (espaço de erro: 3 dB), e a vibração 8,5 m/s² (método braço-mão; incerteza K = 1,5 m/s²)
- O nível de emissão de vibrações foi medido de acordo com um teste normalizado fornecido na EN 60745; pode ser utilizado para comparar uma ferramenta com outra e como uma avaliação preliminar de exposição à vibração quando utilizar a ferramenta para as aplicações mencionadas
- utilizar a ferramenta para diferentes aplicações ou com acessórios diferentes ou mantidos deficientemente, pode **umentar** significativamente o nível de exposição
- o número de vezes que a ferramenta é desligada ou quando estiver a trabalhar sem fazer nada, pode **reduzir** significativamente o nível de exposição
- ! **proteja-se contra os efeitos da vibração, mantendo a ferramenta e os acessórios, mantendo as mãos quentes e organizando os padrões de trabalho**

I

Lucidatrice

9955

INTRODUZIONE

- Questo utensile serve per lucidare superfici in metallo, plastica e verniciate, oltre che per lucidare materiali di pietra senza l'uso di acqua
- Leggete e conservate questo manuale di istruzione ②

DATI TECNICI ①

ELEMENTI UTENSILE ③

- A Impugnatura ausiliaria
- B Impugnatura ausiliaria (tipo D)
- C Chiave esagonale
- D Albero
- E Platorello (VELCRO)
- F Tasto di bloccaggio dell'albero
- G Platorello in lana
- H Interruttore di acceso/spento
- J Pulsante di bloccaggio dell'interruttore
- K Rotella di controllo della velocità massima
- L Feritoie di ventilazione

SICUREZZA

ISTRUZIONI GENERALI DI SICUREZZA

ATTENZIONE! Leggere tutte le avvertenze di pericolo e le istruzioni operative. In caso di mancato rispetto delle avvertenze di pericolo e delle istruzioni operative si potrà creare il pericolo di scosse elettriche, incendi e/o incidenti gravi. **Conservare tutte le avvertenze di pericolo e le istruzioni operative per ogni esigenza futura.** Il termine "elettroutensile" utilizzato nelle avvertenze di pericolo si riferisce ad utensili elettrici alimentati dalla rete

(con linea di allacciamento) ed ad utensili elettrici alimentati a batteria (senza linea di allacciamento).

1) SICUREZZA DELLA POSTAZIONE DI LAVORO

- a) **Mantenere pulito ed ordinato il posto di lavoro.** Il disordine o le zone di lavoro non illuminate possono essere fonte di incidenti.
- b) **Evitare d'impiegare l'utensile in ambienti soggetti al rischio di esplosioni nei quali si trovino liquidi, gas o polveri infiammabili.** Gli utensili elettrici producono scintille che possono far infiammare la polvere o i gas.
- c) **Mantenere lontani i bambini ed altre persone durante l'impiego dell'utensile elettrico.** Eventuali distrazioni potranno comportare la perdita del controllo sull'utensile.

2) SICUREZZA ELETTRICA

- a) **La spina per la presa di corrente dovrà essere adatta alla presa. Evitare assolutamente di apportare modifiche alla spina. Non impiegare spine adattatrici assieme ad utensili con collegamento a terra.** Le spine non modificate e le prese adatte allo scopo riducono il rischio di scosse elettriche.
- b) **Evitare il contatto fisico con superfici collegate a terra, come tubi, riscaldamenti, cucine elettriche e frigoriferi.** Sussiste un maggior rischio di scosse elettriche nel momento in cui il corpo è messo a massa.
- c) **Custodire l'utensile al riparo dalla pioggia o dall'umidità.** L'eventuale infiltrazione di acqua in un utensile elettrico va ad aumentare il rischio d'insorgenza di scosse elettriche.
- d) **Non usare il cavo per scopi diversi da quelli previsti al fine di trasportare o appendere l'utensile, oppure di togliere la spina dalla presa di corrente. Mantenere l'utensile al riparo da fonti di calore, dall'olio, dagli spigoli o da pezzi in movimento.** I cavi danneggiati o aggrovigliati aumentano il rischio d'insorgenza di scosse elettriche.
- e) **Qualora si voglia usare l'utensile all'aperto, impiegare solo ed esclusivamente cavi di prolunga omologati per l'impiego all'esterno.** L'uso di un cavo di prolunga omologato per l'impiego all'esterno riduce il rischio d'insorgenza di scosse elettriche.
- f) **Qualora non fosse possibile evitare di utilizzare l'utensile in ambiente umido, utilizzare un interruttore di messa a terra.** L'uso di un interruttore di messa a terra riduce il rischio di una scossa elettrica.

3) SICUREZZA DELLE PERSONE

- a) **È importante concentrarsi su ciò che si sta facendo e a maneggiare con giudizio l'utensile durante le operazioni di lavoro. Non utilizzare l'utensile in caso di stanchezza o sotto l'effetto di droghe, bevande alcoliche e medicinali.** Un attimo di distrazione durante l'uso dell'utensile potrà causare lesioni gravi.
- b) **Indossare sempre equipaggiamento protettivo individuale. Usare sempre protezioni per gli occhi.** Se si avrà cura d'indossare equipaggiamento protettivo individuale come la maschera antipolvere, la calzatura antisdrucchiolevole di sicurezza, il casco protettivo o la protezione dell'udito, a seconda dell'impiego previsto per l'utensile elettrico, si potrà ridurre il rischio di ferite.
- c) **Evitare l'accensione involontaria dell'utensile. Prima di collegarlo alla rete di alimentazione elettrica e/o**

alla batteria ricaricabile, prima di prenderlo oppure prima di iniziare a trasportarlo, assicurarsi che l'utensile sia spento. Tenendo il dito sopra l'interruttore mentre si trasporta l'utensile oppure collegandolo all'alimentazione di corrente con l'interruttore inserito, si vengono a creare situazioni pericolose in cui possono verificarsi seri incidenti.

- d) **Togliere gli attrezzi di regolazione o la chiave inglese prima di accendere l'utensile.** Un utensile o una chiave inglese che si trovino in una parte dell'utensile in rotazione potranno causare lesioni.
 - e) **È importante non sopravvalutarsi. Avere cura di mettersi in posizione sicura e di mantenere l'equilibrio.** In tale maniera sarà possibile controllare meglio l'utensile in situazioni inaspettate.
 - f) **Indossare vestiti adeguati. Evitare di indossare vestiti lenti o gioielli. Tenere i capelli, i vestiti ed i guanti lontani da pezzi in movimento.** Vestiti lenti, gioielli o capelli lunghi potranno impigliarsi in pezzi in movimento.
 - g) **Se sussiste la possibilità di montare dispositivi di aspirazione o di captazione della polvere, assicurarsi che gli stessi siano stati installati correttamente e vengano utilizzati senza errori.** L'utilizzo di un'aspirazione polvere può ridurre lo svilupparsi di situazioni pericolose dovute alla polvere.
- ### 4) MANEGGIO ED IMPIEGO ACCURATO DI UTENSILI ELETTRICI
- a) **Non sovraccaricare l'utensile. Impiegare l'utensile elettrico adatto per sbrigare il lavoro.** Utilizzando l'utensile elettrico adatto si potrà lavorare meglio e con maggior sicurezza nell'ambito della gamma di potenza indicata.
 - b) **Non utilizzare utensili elettrici con interruttori difettosi.** Un utensile elettrico che non si può più accendere o spegnere è pericoloso e dovrà essere riparato.
 - c) **Prima di procedere ad operazioni di regolazione sull'utensile, prima di sostituire parti accessorie oppure prima di posare l'utensile al termine di un lavoro, estrarre sempre la spina dalla presa della corrente e/o estrarre la batteria ricaricabile.** Tale precauzione eviterà che l'utensile possa essere messo in funzione inavvertitamente.
 - d) **Custodire gli utensili elettrici non utilizzati al di fuori della portata dei bambini. Non fare usare l'utensile a persone che non sono abituate ad usarlo o che non abbiano letto le presenti istruzioni.** Gli utensili elettrici sono pericolosi se utilizzati da persone inesperte.
 - e) **Effettuare accuratamente la manutenzione dell'utensile. Verificare che le parti mobili dell'utensile funzionino perfettamente e non s'incepino, che non ci siano pezzi rotti o danneggiati al punto tale da limitare la funzione dell'utensile stesso. Far riparare le parti danneggiate prima d'impiegare l'utensile.** Numerosi incidenti vengono causati da utensili elettrici la cui manutenzione è stata effettuata poco accuratamente.
 - f) **Mantenere affilati e puliti gli utensili da taglio.** Gli utensili da taglio curati con particolare attenzione e con taglienti affilati s'incepiscono meno frequentemente e sono più facili da condurre.

g) **Utilizzare utensili elettrici, accessori, attrezzi, ecc. in conformità con le presenti istruzioni. Osservare le condizioni di lavoro ed il lavoro da eseguirsi durante l'impiego.** L'impiego di utensili elettrici per usi diversi da quelli consentiti potrà dar luogo a situazioni di pericolo.

5) ASSISTENZA

a) **Fare riparare l'utensile solo ed esclusivamente da personale specializzato e solo impiegando pezzi di ricambio originali.** In tale maniera potrà essere salvaguardata la sicurezza dell'utensile.

ISTRUZIONI DI SICUREZZA PER LUCIDATRICI

1) ISTRUZIONI DI SICUREZZA PER TUTTE LE APPLICAZIONI

a) **Questo elettroutensile è previsto per essere utilizzato come lucidatrice. Attenersi a tutte le avvertenze di pericolo, istruzioni, rappresentazioni e dati che si ricevono insieme all' elettroutensile.** In caso di mancata osservanza delle seguenti istruzioni vi è il pericolo di provocare una scossa elettrica, di sviluppare incendi e/o di provocare seri incidenti.

b) **Questo elettroutensile non è consigliato per operazioni di smerigliatura, sabbatura, spazzolatura metallica o taglio.** Qualsiasi operazione per la quale l'utensile non è stato concepito, potrebbe creare un pericolo e causare delle lesioni alla persona.

c) **Evitare assolutamente che parti della cappa lucidatura restino staccate e prestare in modo particolare attenzione alle cordicelle di fissaggio. Raccogliere per bene oppure tagliare le cordicelle di fissaggio ad una lunghezza adatta.** Cordicelle di fissaggio che girino con la cappa possono far presa sulle dita dell'operatore oppure rimanere impigliate nel pezzo in lavorazione.

d) **Non utilizzare nessun accessorio che la casa costruttrice non abbia esplicitamente previsto e raccomandato per questo elettroutensile.** Il semplice fatto che un accessorio possa essere fissato al Vostro elettroutensile non è una garanzia per un impiego sicuro.

e) **Il numero di giri ammesso dell'accessorio impiegato deve essere almeno tanto alto quanto il numero massimo di giri riportato sull'elettroutensile.** Un accessorio che giri più rapidamente di quanto consentito può essere danneggiato.

f) **Il diametro esterno e lo spessore dell'accessorio montato devono corrispondere ai dati delle dimensioni dell'elettroutensile in dotazione.** In caso di utilizzo di portautensili e di accessori di dimensioni sbagliate non sarà possibile schermanli oppure controllarli a sufficienza.

g) **Accessori con filetto riportato devono essere adatti in modo preciso alla filettatura dell'alberino. Negli accessori che vengono montati tramite flangia, il diametro del foro dell'accessorio deve corrispondere al diametro di alloggiamento della flangia.** Accessori che non vengono fissati in modo preciso all'elettroutensile non ruotano in modo uniforme, vibrano molto forte e possono provocare la perdita del controllo.

h) **Non utilizzare mai portautensili od accessori danneggiati. Prima di ogni utilizzo controllare i portautensili e gli accessori ed accertarsi che sui dischi abrasivi non vi siano scheggiature o crepature, che il platorello non sia soggetto ad incrinature, crepature o forte usura e che le spazzole metalliche non abbiano fili metallici allentati oppure rotti. Se l'elettroutensile oppure l'accessorio impiegato dovesse sfuggire dalla mano e cadere, accertarsi che questo non abbia subito nessun danno oppure utilizzare un accessorio intatto. Una volta controllato e montato il portautensili o accessorio, far funzionare l'elettroutensile per la durata di un minuto con il numero massimo di giri avendo cura di tenersi lontani e di impedire anche ad altre persone presenti di avvicinarsi al portautensili o accessorio in rotazione.** Nella maggior parte dei casi i portautensili o accessori danneggiati si rompono nel corso di questo periodo di prova.

i) **Indossare abbigliamento di protezione ④. A seconda dell'applicazione in corso utilizzare una visiera completa, maschera di protezione per gli occhi oppure occhiali di sicurezza. Per quanto necessario, portare maschere per polveri, protezione acustica, guanti di protezione oppure un grembiule speciale in grado di proteggervi da piccole particelle di levigatura o di materiale.** Gli occhi dovrebbero essere protetti da corpi estranei scaraventati per l'aria nel corso di diverse applicazioni. La maschera antipolvere e la maschera respiratoria devono essere in grado di filtrare la polvere provocata durante l'applicazione. Estandosi per lungo tempo ad un rumore troppo forte vi è il pericolo di perdere l'udito.

j) **Avere cura di evitare che altre persone possano avvicinarsi alla zona in cui si sta lavorando. Ogni persona che entra nella zona di operazione deve indossare un abbigliamento protettivo personale.** Frammenti del pezzo in lavorazione oppure utensili rotti possono volar via oppure provocare incidenti anche al di fuori della zona diretta di lavoro.

k) **Tenere il cavo di collegamento elettrico sempre lontano da portautensili o accessori in rotazione.** Se si perde il controllo sull'elettroutensile vi è il pericolo di troncarsi o di colpire il cavo di collegamento elettrico e la Vostra mano o braccio può arrivare a toccare il portautensili o accessorio in rotazione.

l) **Mai poggiare l'elettroutensile prima che il portautensili o l'accessorio impiegato non si sia fermato completamente.** L'utensile in rotazione può entrare in contatto con la superficie di appoggio facendo Vi perdere il controllo sull'elettroutensile

m) **Mai trasportare l'elettroutensile mentre questo dovesse essere ancora in funzione.** Attraverso un contatto casuale l'utensile in rotazione potrebbe fare presa sugli indumenti oppure sui capelli dell'operatore e potrebbe arrivare a ferire seriamente il corpo dell'operatore.

n) **Pulire regolarmente le feritoie di ventilazione dell'elettroutensile in dotazione.** Il ventilatore del motore attira polvere nella carcassa ed una forte raccolta di polvere di metallo può provocare pericoli di origine elettrica.

o) **Non utilizzare mai l'elettrotensile nelle vicinanze di materiali infiammabili.** Le scintille possono far prendere fuoco questi materiali.

p) **Non utilizzare mai accessori che richiedano refrigeranti liquidi.** L'utilizzo di acqua o di altri liquidi refrigeranti può provocare una scossa di corrente elettrica.

2) CONTRACCOLPO E RELATIVE AVVERTENZE DI PERICOLO

• Un contraccolpo è l'improvvisa reazione in seguito ad agganciamento oppure blocco di accessorio in rotazione come può essere un disco abrasivo, platorello, spazzola metallica ecc.. Agganciandosi oppure bloccandosi il portautensili o accessorio provoca un arresto improvviso della rotazione dello stesso. In questo caso l'operatore non è più in grado di controllare l'elettrotensile ed al punto di blocco si provoca un rimbalzo dello stesso che avviene nella direzione opposta a quella della rotazione del portautensili o dell'accessorio.

• Se p.es. un disco abrasivo resta agganciato o bloccato nel pezzo in lavorazione, il bordo del disco abrasivo che si abbassa nel pezzo in lavorazione può rimanere impigliato provocando in questo modo una rottura oppure un contraccolpo del disco abrasivo. Il disco abrasivo si avvicina o si allontana dall'operatore a seconda della direzione di rotazione che ha nel momento in cui si blocca. In tali situazioni è possibile che le mole abrasive possano anche rompersi.

• Un contraccolpo è la conseguenza di un utilizzo non appropriato oppure non corretto dell'elettrotensile. Esso può essere evitato soltanto prendendo misure adatte di sicurezza come dalla descrizione che segue.

a) **Tenere sempre ben saldo l'elettrotensile e portare il proprio corpo e le proprie braccia in una posizione che Vi permetta di compensare le forze di contraccolpo. Se disponibile, utilizzare sempre l'impugnatura supplementare in modo da poter avere sempre il maggior controllo possibile su forze di contraccolpi oppure momenti di reazione che si sviluppano durante la fase in cui la macchina raggiunge il regime di pieno carico.** Prendendo appropriate misure di precauzione l'operatore può essere in grado di tenere sotto controllo le forze di contraccolpo e quelle di reazione a scatti.

b) **Mai avvicinare la propria mano alla zona degli utensili in rotazione.** Nel corso dell'azione di contraccolpo il portautensili o accessorio potrebbe passare sulla Vostra mano.

c) **Evitare di avvicinarsi con il proprio corpo alla zona in cui l'elettrotensile viene mosso in caso di un contraccolpo.** Un contraccolpo provoca uno spostamento improvviso dell'elettrotensile che si sviluppa nella direzione opposta a quella della rotazione della mola abrasiva al punto di blocco.

d) **Operare con particolare attenzione in prossimità di spigoli, spigoli taglienti ecc.. Avere cura di impedire che portautensili o accessori possano rimbalzare dal pezzo in lavorazione oppure possano rimanervi bloccati.** L'utensile in rotazione ha la tendenza a rimanere bloccato in angoli, spigoli taglienti oppure in caso di rimbalzo. Ciò provoca una perdita del controllo oppure un contraccolpo.

e) **Non utilizzare seghe a catena e neppure lame dentellate.** Questo tipo di accessori provocano spesso un contraccolpo oppure la perdita del controllo sull'elettrotensile.

NOTE GENERALI

- Usare questo utensile solo per operazioni di lucidatura a secco
- Usare solamente le flange fornite con questo utensile
- Questo utensile non dev'essere utilizzato da persone di età inferiore ai 16 anni
- **Staccate sempre la spina dell'utensile prima di effettuare regolazioni o cambiare gli accessori**
- **Non lavorare mai materiali contenenti amianto** (l'amianto è ritenuto materiale cancerogeno)

ACCESSORI

- La SKIL garantisce un perfetto funzionamento dell'utensile soltanto se vengono utilizzati accessori corretti che si possono ottenere presso il vostro negoziante
- Per il montaggio/uso di accessori non di produzione SKIL, osservare le istruzioni del fabbricante interessato
- Utilizzate solo accessori il cui numero massimo di giri corrisponda almeno al massimo dei numeri di giri dell'utensile
- Non usare mai accessori con un foro "cieco" filettato di dimensione inferiore a M14 x 21 mm
- Non usare accessori danneggiati, deformati, o vibranti

USO ALL'ESTERNO

- Quando usato l'esterno, collegare l'utensile ad un interruttore automatico di rete (FI) con una corrente di scatto di 30 mA massimo, ed usare solamente il cavo di prolunga inteso per uso esterno e munito di una presa antispruzzo

PRIMA DELL'USO

- Controllare che la tensione dell'alimentazione sia la stessa di quella indicata sulla targhetta dell'utensile (gli utensili con l'indicazione di 230V o 240V possono essere collegati anche alla rete di 220V)
- Montare sempre l'impugnatura ausiliaria A ③ o B ③; non usare mai l'utensile senza l'impugnatura
- Le polveri di materiali come vernici contenenti piombo, alcune specie di legno, minerali e metallo possono essere nocive (il contatto con queste polveri o la loro inalazione possono causare reazioni allergiche e/o disturbi respiratori all'operatore o ad altre persone presenti sul posto); **indossare una maschera protettiva per la polvere e utilizzare un dispositivo per l'estrazione della polvere se è presente una presa di collegamento**
- Alcuni tipi di polvere sono classificati come cancerogeni (quali le polveri di quercia e faggio) specialmente se associate ad additivi per il trattamento del legno; **indossare una maschera protettiva per la polvere e utilizzare un dispositivo per l'estrazione della polvere se è presente una presa di collegamento**
- Rispettare le istruzioni nazionali riguardanti l'estrazione della polvere per i materiali in lavorazione
- **Fissare il pezzo da lavorare** (un pezzo in lavorazione rimane bloccato in posizione con maggiore sicurezza se fissato con appositi dispositivi di serraggio o con una morsa e non tenendolo con la mano)

- Non serrare l'utensile in una morsa
- Usare cavi di prolunga completamente srotolati e sicure con una capacità di 16 Amp

DURANTE L'USO

- Durante le operazioni di lavoro tenete sempre l'utensile con ambedue le mani ed assumete una sicura posizione di lavoro
- Mantenere sempre il cavo distante dalle parti in movimento dell'utensile; spingere il cavo verso la parte posteriore, distante dall'utensile
- Se durante un'operazione di lavoro viene danneggiato oppure troncato il cavo, non toccare il cavo ma estrarre immediatamente la spina dalla presa
- Non usare l'utensile quando il cavo è danneggiato; farlo sostituire da personale qualificato
- Nel caso di cattivo funzionamento elettrico o meccanico, spegnete subito l'utensile e staccate la spina
- In caso di mancata corrente oppure quando la spina viene tirata fuori accidentalmente, rilasciate l'interruttore H ③ onde impedire riavvio incontrollato

DOPO L'USO

- Prima di riporre l'utensile, spegnere il motore ed assicurarsi che tutte le parti in movimento si siano arrestate completamente
- Dopo aver spento l'utensile, non arrestare mai la rotazione dell'accessorio applicandovi una forza laterale

USO

- Montaggio delle impugnature ausiliarie ⑤
 - ! **estrarre la spina dalla presa**
 - avvitare l'impugnatura ausiliaria A sul lato destro dell'utensile (secondo il lavoro da effettuare)
 - montare l'impugnatura ausiliaria B come illustrato e serrare entrambe le viti fornite con la chiave esagonale C
- Montaggio degli accessori ③
 - ! **estrarre la spina dalla presa**
 - pulire l'albero D e tutte le parti che si devono montare
 - avvitare il piattello di VECRO E sull'albero D premendo il pulsante di bloccaggio dell'albero F
 - ! **spinger il tasto F di bloccaggio dell'albero solo quando l'albero D è fermo**
 - premere semplicemente il disco di lana G sul piattello di VECRO E
 - per smontare gli accessori invertire la procedura
- Prima di utilizzare l'utensile
 - assicurarsi che l'accessorio sia montato correttamente e fissato saldamente
 - controllate che l'accessorio giri liberamente, facendolo ruotare con la mano
 - fare girare a vuoto l'utensile per almeno 30 secondi alla velocità massima in una posizione sicura
 - arrestare immediatamente in caso di forti vibrazioni o altri difetti e cercare di determinare la causa
- Acceso/spento
 - per accendere/spegnere il vostro utensile schiacciare/ rilasciare l'interruttore H ③
- Partenza dolce elettronica

Per raggiungere lentamente la velocità massima senza l'impatto improvviso provocato dall'accensione dell'utensile

- Blocco dell'interruttore per il funzionamento continuo
 - schiacciare l'interruttore H
 - premere il pulsante J con il pollice
 - per sbloccarlo schiacciare nuovamente l'interruttore H e poi rilasciarlo
- Controllo della velocità ⑥
 - con la rotella K potete scegliere progressivamente la velocità massima da bassa ad alta (1-MAX)
 - iniziare con la rotellina K in posizione 1 (velocità più bassa)
 - se necessario, selezionare una velocità superiore mentre l'utensile gira
 - la velocità di esercizio ottimale dipende dal materiale e può essere stabilita mediante prove pratiche
- Uso dell'utensile
 - accendete l'utensile
 - posizionare bene l'utensile sulla superficie da lucidare e spostarlo in modo uniforme avanzando per sezioni
 - ogni movimento deve sovrapporre il movimento precedente di una metà
 - non fermarsi su un singolo punto per evitare di bruciare la verniciatura
 - non spostare l'utensile in cerchi per evitare di macchiare o bruciare la verniciatura
- ! **prima di spegnere l'utensile, dovrete sollevarlo dal pezzo di lavorazione**
- ! **l'accessorio continua a ruotare per un certo tempo dopo che l'utensile è stato spento**
- Tenuta e guida dell'utensile ⑦
 - ! **durante la lavorazione, impugna l'utensile sempre in corrispondenza della(e) area(e) grigia(e)**
 - impugnare sempre l'utensile con entrambe le mani, in modo da averne completo controllo in qualsiasi momento
 - prevedere una posizione sicura
 - ! **non applicare troppa pressione sull'utensile che si ferma**
 - tenere scoperte le feritoie di ventilazione L ③


MANUTENZIONE / ASSISTENZA

- Proteggere l'utensile da impatti, urti e grasso
- Tenete sempre puliti utensile e cavo (soprattutto le feritoie di ventilazione L ③)
 - ! **prima di pulire estrarre la spina dalla presa**
 - ! **non cercate di pulire inserendo oggetti nelle feritoie di ventilazione**
- Se nonostante gli accurati procedimenti di produzione e di controllo l'utensile dovesse guastarsi, la riparazione va fatta effettuare da un punto di assistenza autorizzato per gli elettro utensili SKIL
 - inviare l'utensile **non smontato** assieme alle prove di acquisto al rivenditore oppure al più vicino centro assistenza SKIL (l'indirizzo ed il disegno delle parti di ricambio dell'utensile sono riportati su www.skilmasters.com)

TUTELA DELL'AMBIENTE

- **Non gettare l'utensile elettrico, gli accessori e l'imballaggio tra i rifiuti domestici** (solo per paesi UE)
 - secondo la Direttiva Europea 2002/96/CE sui rifiuti di utensili elettrici ed elettronici e la sua attuazione in

conformità alle norme nazionali, gli utensili elettrici esausti devono essere raccolti separatamente, al fine di essere reimpiegati in modo eco-compatibile

- il simbolo  vi ricorderà questo fatto quando dovrete eliminarle

DICHIARAZIONE DEI CONFORMITÀ CE

- Assumendone la piena responsabilità, dichiariamo che il prodotto descritto nei "Dati tecnici" è conforme alle seguenti normative ed ai relativi documenti: EN 60745, EN 61000, EN 55014 in base alle prescrizioni delle direttive 2004/108/EG, 2006/42/EG, 2011/65/UE
- **Fascicolo tecnico presso:** SKIL Europe BV (PT-SEU/ENG1), 4825 BD Breda, NL

Marijn van der Hoofden
Operations & Engineering

Olaf Dijkgraaf
Approval Manager

SKIL Europe BV, 4825 BD Breda, NL

19.08.2013

RUMOROSITÀ/VIBRAZIONE


- Misurato in conformità al EN 60745 il livello di pressione acustica di questo utensile è 86 dB(A) ed il livello di potenza acustica 97 dB(A) (deviazione standard: 3 dB), e la vibrazione $8,5 \text{ m/s}^2$ (metodo mano-braccio; incertezza $K = 1,5 \text{ m/s}^2$)
 - Il livello di emissione delle vibrazioni è stato misurato in conformità a un test standardizzato stabilito dalla norma EN 60745; questo valore può essere utilizzato per mettere a confronto un l'utensile con un altro o come valutazione preliminare di esposizione alla vibrazione quando si impiega l'utensile per le applicazioni menzionate
 - se si utilizza l'utensile per applicazioni diverse, oppure con accessori differenti o in scarse condizioni, il livello di esposizione potrebbe **umentare** notevolmente
 - i momenti in cui l'utensile è spento oppure è in funzione ma non viene effettivamente utilizzato per il lavoro, possono contribuire a **ridurre** il livello di esposizione
- ! proteggersi dagli effetti della vibrazione effettuando la manutenzione dell'utensile e dei relativi accessori, mantenendo le mani calde e organizzando i metodi di lavoro**

H

Polirozó

9955

BEVEZETÉS

- Ez a szerszám fém, műanyag és bevonattal rendelkező felületek, valamint köanyagok víz alkalmazása nélkül történő polírozására készült
- Olvassa el figyelmesen és őrizze meg a használati utasítást 


MŰSZAKI ADATOK

SZERSZÁMGÉP ELEMEI

- A Oldalfogantyú
- B Oldalfogantyú (D típus)
- C Hatszögkulcs
- D Tengely
- E Tányér (VELCRO)
- F Elfordulás elleni gomb
- G Gyapjú burkolat
- H Be/ki kapcsológomb
- J Bekapcsolást rezeselő gomb
- K A maximális sebesség beállítására szolgáló kerék
- L Szellőzőnyílások

BIZTONSÁG

ÁLTALÁNOS BIZTONSÁGI ELŐÍRÁSOK

 **FIGYELEM!** Olvassa el az összes biztonsági figyelmeztetést és előírást. A következőkben leírt előírások betartásának elmulasztása áramütésekhez, tűzhez és/vagy súlyos testi sérülésekhez vezethet. **Kérjük a későbbi használatra gondosan őrizze meg ezeket az előírásokat.** Az alább alkalmazott elektromos kéziszerszám fogalom a hálózati elektromos kéziszerszámokat (hálózati csatlakozó kábelrel) és az akkumulátoros elektromos kéziszerszámokat (hálózati csatlakozó kábel nélkül) foglalja magában.

1) MUNKAHELYI BIZTONSÁG

- Tartsa tisztán és tartsa rendben a munkahelyét.**
Rendetlen munkahelyek vagy megvilágítatlan munkaterületek balesetekhez vezethetnek.
- Ne dolgozzon az elektromos kéziszerszámmal olyan robbanásveszélyes környezetben, ahol éghető folyadékok, gázok vagy porok vannak.** Az elektromos kéziszerszámok szikrákat bocsáthatnak ki, amelyek meggyújthatják a port vagy a gőzöket.
- Tartsa távol a gyerekeket és az idegen személyeket a munkahelytől, ha az elektromos kéziszerszámot használja.** Ha elvonják a figyelmét a munkától, könnyen elvesztheti az uralmát a berendezés felett.

2) ELEKTROMOS BIZTONSÁGI ELŐÍRÁSOK

- A készülék csatlakozó dugójának bele kell illeszkednie a dugaszolóaljzatba. A csatlakozó dugót semmilyen módon sem szabad megváltoztatni. Védőföldeléssel ellátott készülékekkel kapcsolatban ne használjon csatlakozó adaptert.** A változtatás nélküli csatlakozó dugók és a megfelelő dugaszoló aljzatok csökkentik az áramütés kockázatát.
- Ne érjen hozzá földelt felületekhez, mint csövekhez, fűtőtestekhez, kályhákhoz és hűtőszekrényekhez.**
Az áramütési veszély megnövekszik, ha a teste le van földelve.
- Tartsa távol az elektromos kéziszerszámot az esőtől és a nedvesség hatásaitól.** Ha víz hatol be egy elektromos kéziszerszámba, ez megnöveli az áramütés veszélyét.
- Ne használja a kábelt a rendeltetésétől eltérő célokra, vagyis a szerszámot soha ne hordozza**

vagy akassza fel a kábelnél fogva, és soha ne húzza ki a hálózati csatlakozó dugót a kábelnél fogva.

Tartsa távol a kábelt hőforrásoktól, olajtól, éles élektől, sarkaktól és mozgó gépkatrészekről. Egy megrongálódott vagy csomókkal teli kábel megnöveli az áramütés veszélyét.

e) **Ha egy elektromos kéziszerszámmal a szabad ég alatt dolgozik, csak a szabadban való használatra engedélyezett hosszabbítót használjon.** A szabadban való használatra engedélyezett hosszabbító használata csökkenti az áramütés veszélyét.

f) **Ha nem lehet elkerülni az elektromos kéziszerszám nedves környezetben való használatát, alkalmazzon egy földzárlat megszakítót.** Egy földzárlat megszakító alkalmazása csökkenti az áramütés kockázatát.

3) SZEMÉLYI BIZTONSÁGI ELŐÍRÁSOK

a) **Munka közben mindig figyeljen, ügyeljen arra, amit csinál, és megdölgödjön az elektromos kéziszerszámmal. Ha fáradt, ha kábítószerek vagy alkohol hatása alatt áll, vagy orvosságokat vett be, ne használja a berendezést.** A berendezéssel végzett munka közben már egy pillanatnyi figyelmetlenség is komoly sérülésekhez vezethet.

b) **Viseljen személyi védőfelszerelést és mindig viseljen védőszemüveget.** A személyi védőfelszerelések, mint porvédő álarc, csúszásbiztos védőcipő, védősapka és fülvédő használata az elektromos kéziszerszám használata jellegének megfelelően csökkenti a személyes sérülések kockázatát.

c) **Kerülje el a készülék akaratlan üzembe helyezését. Győződjön meg arról, hogy az elektromos kéziszerszám ki van kapcsolva, mielőtt bedugná a csatlakozó dugót a dugaszolóaljzatba, csatlakoztatná az akkumulátor-csomagot, és mielőtt feltenné és vinni kezdené az elektromos kéziszerszámot.** Ha az elektromos kéziszerszám felemelése közben az újjat a kapcsolón tartja, vagy ha a készüléket bekapcsolt állapotban csatlakoztatja az áramforráshoz, ez balesetekhez vezethet.

d) **Az elektromos kéziszerszám bekapcsolása előtt okvetlenül távolítsa el a beállító szerszámokat vagy csavarkulcsokat.** Az elektromos kéziszerszám forgó részeiben felejtett beállító szerszám vagy csavarkulcs sérüléseket okozhat.

e) **Ne bocsúljon túl önmagát. Kerülje el a normálistól eltérő testtartást, ügyeljen arra, hogy mindig biztosan álljon és az egyensúlyát megtartsa.** Így az elektromos kéziszerszám felett váratlan helyzetekben is jobban tud uralkodni.

f) **Viseljen megfelelő ruhát. Ne viseljen bő ruhát vagy ékszereket. Tartsa távol a haját, a ruháját és a kesztyűjét a mozgó részekről.** A bő ruhát, az ékszereket és a hosszú haját a mozgó alkatrészek magukkal ránthatják.

g) **Ha az elektromos kéziszerszámra fel lehet szerelni a por elszívásához és összegyűjtéséhez szükséges berendezéseket, ellenőrizze, hogy azok megfelelő módon hozzá vannak kapcsolva a készülékhez és rendeltetésüknek megfelelően működnek.** A porgyűjtő berendezések használata csökkenti a munka során keletkező por veszélyes hatását.

4) AZ ELEKTROMOS KÉZISZERSZÁMOK GONDOS KEZELÉSE ÉS HASZNÁLATA

- a) **Ne terhelje túl az elektromos kéziszerszámot. A munkájához csak az arra szolgáló elektromos kéziszerszámot használja.** Egy alkalmas elektromos kéziszerszámmal a megadott teljesítménytartományon belül jobban és biztonságosabban lehet dolgozni.
- b) **Ne használjon olyan elektromos kéziszerszámot, amelynek a kapcsolója elromlott.** Egy olyan elektromos kéziszerszám, amelyet nem lehet sem be-, sem kikapcsolni, veszélyes és meg kell javíttatni.
- c) **Húzza ki a csatlakozó dugót a dugaszolóaljzattól és/vagy az akkumulátor-csomagot az elektromos kéziszerszámból, mielőtt az elektromos kéziszerszámon beállítási munkákat végez, tartozékokat cserél vagy a szerszámot tárolásra elteszi.** Ez az elővigyázatossági intézkedés meggátolja a szerszám akaratlan üzembe helyezését.
- d) **A használaton kívüli elektromos kéziszerszámokat olyan helyen tárolja, ahol azokhoz gyerekek ne férhessenek hozzá. Ne hagyja, hogy olyan személyek használják az elektromos kéziszerszámot, akik nem ismerik a szerszámot, vagy nem olvasták el ezt az útmutatót.** Az elektromos kéziszerszámok veszélyesek, ha azokat gyakorlatlan személyek használják.
- e) **A készüléket gondosan ápolja. Ellenőrizze, hogy a mozgó alkatrészek kifogástalanul működnek-e, nincsenek-e beszorulva, és nincsenek-e eltörve vagy megrongálódva olyan alkatrészek, amelyek hatással lehetnek az elektromos kéziszerszám működésére. A megrongálódott részeket a készülék használatára előtt javíttassa meg.** Sok olyan baleset történik, amelyet az elektromos kéziszerszám nem megfelelő tartózkodására lehet visszavezetni.
- f) **Tartsa tisztán és éles állapotban a vágószerszámokat.** Az éles vágóélekkel rendelkező és gondosan ápolott vágószerszámok ritkábban ékelődnek be és azokat könnyebben lehet vezetni és irányítani.
- g) **Az elektromos kéziszerszámokat, tartozékokat, betétszerszámokat stb. csak ezen előírásoknak használja. Vegye figyelembe a munkafeltételeket és a kivitelezendő munka sajátosságait.** Az elektromos kéziszerszám eredeti rendeltetésétől eltérő célokra való alkalmazása veszélyes helyzetekhez vezethet.

5) SZERVIZ

- a) **Az elektromos kéziszerszámot csak szakképzett személyzet és csak eredeti pótalkatrészek felhasználásával javíthatja.** Ez biztosítja, hogy az elektromos kéziszerszám biztonságos szerszám maradjon.

BIZTONSÁGI ELŐÍRÁSOK POLÍROZÓKHOZ

1) BIZTONSÁGI ELŐÍRÁSOK AZ ÖSSZES MŰVELETRE

- a) **Ez az elektromos szerszám polírozóként történő használatra készült. Ügyeljen minden figyelmeztető jelzésre, előírásra, ábrára és adatra, amelyet az elektromos kéziszerszámmal együtt megkapott.** Ha nem tartja be a következő előírásokat, akkor ez áramütéshez, tűzhöz és/vagy súlyos személyi sérülésekhez vezethet.

- b) **A szerszámot nem javasoljuk köszörülésre, csiszolásra, drótkorongozásra és vágási műveletekre.** A szerszám nem tervezett módon történő használata veszélyes lehet, személyi sérüléssel járhat.
- c) **Ne tegye lehetővé, hogy a polirozóburán laza részek, mindenekelőtt rögzítő zsinórok legyenek. Megfelelően rögzítse, vagy rövidítse le a rögzítő zsinórokat.** A géppel együtt forgó laza rögzítő zsinórok bekapathatják a kezelő ujjait, vagy beakadhatnak a munkadarabba.
- d) **Ne használjon olyan tartozékokat, amelyeket a gyártó ehhez az elektromos kéziszerszámhoz nem irányzott elő és nem javasolt.** Az a tény, hogy a tartozékok rögzíteni tudja az elektromos kéziszerszámra, nem garantálja annak biztonságos alkalmazását.
- e) **A betétszerszám megengedett fordulatszámának legalább akkorának kell lennie, mint az elektromos kéziszerszám megadott legnagyobb fordulatszáma.** A megengedettnél gyorsabban forgó tartozékok széttörhetnek.
- f) **A betétszerszám külső átmérőjének és vastagságának meg kell felelnie az Ön elektromos kéziszerszámán megadott méreteknek.** A hibásan méretezett betétszerszámokat nem lehet megfelelően eltakarni, vagy irányítani.
- g) **A menetes betéttel ellátott betétszerszám menetének meg kell felelnie az orsó menetének. A karima segítségével befogásra kerülő betétszerszámok esetén a betétszerszám furatátmérőjének pontosan meg kell felelnie a karima befogási átmérőjének.** Az olyan betétszerszámok, amelyek nem kerülnek pontosan rögzítésre az elektromos kéziszerszámhoz, egyenletlenül forognak, erősen berezegnék és a készülék feletti uralom megszűnéséhez vezethetnek.
- h) **Ne használjon megrongálódott betétszerszámokat. Vizsgálja meg minden egyes használat előtt a betétszerszámokat: ellenőrizze, nem patnogzott-e le és nem repedt-e meg a csiszolókorong, nincs-e eltörve, megrepedve, vagy nagy mértékben elhasználódva a csiszoló tányér, nincsenek-e a drótkéfében kilazult, vagy eltörött drótok. Ha az elektromos kéziszerszám a betétszerszám leesik, vizsgálja felül, nem rongálódott-e meg, vagy használjon egy hibátlan betétszerszámot. Miután ellenőrizte, majd behelyezte a készülékbe a betétszerszámot, tartózkodjon Ön sajátmaga és minden más a közelben található személy is a forgó betétszerszám síkján kívül és járassa egy percig az elektromos kéziszerszámot a legnagyobb fordulatszámmal. A megrongálódott betétszerszámok ezalatt a próbaidő alatt általában már széttörnek.**
- i) **Viseljen személyi védőfelszerelést ④. Használjon az alkalmazásnak megfelelő teljes védőólarcot, szemvédőt vagy védőszemüveget. Amennyiben célszerű, viseljen porvédő álarcot, zajtompító fülvédőt, védő kesztyűt vagy különleges kötényt, amely távol tartja a csiszolószerszám- és anyagrészeket. Mindenképpen védje meg a szemét a kirepülő idegen anyagoktól, amelyek a különböző alkalmazások során keletkeznek. A porvagy védőólarcnak meg kell szűrnie a használat során**

- keletkező port. Ha hosszú ideig ki van téve az erős zaj hatásának, elvesztheti a hallását.
- j) **Ügyeljen arra, hogy a többi személy biztonságos távolságban maradjon az Ön munkaterületétől. Minden olyan személynek, aki belép a munkaterületre, személyi védőfelszerelést kell viselnie.** A munkadarab letört részei vagy a széttört betétszerszámok kirepülhetnek és a közvetlen munkaterületen kívül is személyi sérülést okozhatnak.
- k) **Tartsa távol a hálózati csatlakozó kábelt a forgó betétszerszámoktól.** Ha elveszti az uralmát az elektromos kéziszerszám felett, az átvághatja, vagy bekapathatja a hálózati csatlakozó kábelt és az Ön keze vagy karja is a forgó betétszerszámhoz érhet.
- l) **Sohase tegye le az elektromos kéziszerszámot, mielőtt a betétszerszám teljesen leállna.** A forgásban lévő betétszerszám megérintheti a támasztó felületet, és Ön ennek következtében könnyen elvesztheti az uralmát az elektromos kéziszerszám felett.
- m) **Ne járassa az elektromos kéziszerszámot, miközben azt a kezében tartja.** A forgó betétszerszám egy véletlen érintkezés során bekapathatja a ruháját és a betétszerszám belefűrődhet a testébe.
- n) **Tisztítsa meg rendszeresen az elektromos kéziszerszáma szellőzőnyílásait.** A motor ventilátorra beszívja a port a házba, és nagyobb mennyiségű fémport felhalmozódása elektromos veszélyekhez vezethet.
- o) **Ne használja az elektromos kéziszerszámot éghető anyagok közelében.** A szikrák ezeket az anyagokat meggyújthatják.
- p) **Ne használjon olyan betétszerszámokat, amelyek alkalmazásához folyékony hűtőanyagra van szükség.** Víz és egyéb folyékony hűtőanyagok alkalmazása áramütéshez vezethet.
- 2) VISSZARÚGÁS ÉS MEGFELELŐ FIGYELMEZTETŐ TÁJÉKOZTATÓK**
- A visszarúgás a beékelődő vagy leblokkoló forgó betétszerszám, például csiszolókorong, csiszoló tányér, drótkéfe stb. hirtelen reakciója. A beékelődés vagy leblokkolás a forgó betétszerszám hirtelen leállításához vezet. Ez az irányítatlan elektromos kéziszerszámot a betétszerszámra a leblokkolási ponton fennálló forgási irányával szembeni irányban felgyorsítja.
 - Ha például egy csiszolókorong beékelődik, vagy leblokkol a megmunkálásra kerülő munkadarabban, a csiszolókorongnak a munkadarabra bemeülő éle leáll és így a csiszolókorong kiugorhat vagy egy visszarúgást okozhat. A csiszolókorong ekkor a korongnak a leblokkolási pontban fennálló forgásirányától függően a kezelő személy felé, vagy attól távolodva mozog. A csiszolókorongok ilyenkor el is törhetnek.
 - Egy visszarúgás az elektromos kéziszerszám hibás vagy helytelen használatának következménye. Ezt az alábbiakban leírásra kerülő megfelelő óvatossági intézkedésekkel meg lehet gátolni.
- a) **Tartsa szorosan fogva az elektromos kéziszerszámot, és hozza a testét és a karjait olyan helyzetbe, amelyben fel tudja venni a visszaütő erőket. Használja mindig a pótfogantyút, amennyiben létezik, hogy a lehető legjobban tudjon uralkodni a visszarúgási erők, illetve felfutáskor a reakciós nyomaték felett. A kezelő személy megfelelő**

óvatossági intézkedésekkel uralkodni tud a visszarugási és reakcióerők felett.

- b) **Sohase vigye a kezét a forgó betétszerszám közelébe.** A betétszerszám egy visszarugás esetén a kezéhez érhet.
- c) **Kerülje el a testével azt a tartományt, ahová egy visszarugás az elektromos kéziszerszámot mozgatja.** A visszarugás az elektromos kéziszerszámot a csiszolókorongnak a leblokkolási pontban fennálló forgásirányával ellentétes irányba hajtja.
- d) **A sarkok és élek közelében különösen óvatosan dolgozzon, akadályozza meg, hogy a betétszerszám lepattanjon a munkadarabról, vagy beékelődjön a munkadarabra.** A forgó betétszerszám a sarkoknál, éleknél és lepattanás esetén könnyen beékelődik. Ez a készülék feletti uralom elvesztéséhez, vagy egy visszarugáshoz vezet.
- e) **Ne használjon fafűrészlapot, vagy fogazott fűrészlapot.** Az ilyen betétszerszámok gyakran visszarugáshoz vezetnek, vagy a kezelő elvesztheti az uralmát az elektromos kéziszerszám felett.

ÁLTALÁNOS TUDNIVALÓK

- Ezt a szerszámot kizárólag száraz polírozásra használja
- Csak a szerszámmal együtt szállított gyűrűket használja
- A készüléket csak 16 éven felüli személyek használják
- **Mindig húzza ki a dugaszolóaljzatot mielőtt tartozékot cserélné vagy bármit változtatna a gép beállításán**
- **Ne munkáljon meg a berendezéssel azbesztes tartalmazó anyagokat** (az azbesztesnek rákkeltő hatása van)

TARTOZÉKOK

- A SKIL cég kizárólag eredeti alkatrészek és kiegészítők alkalmazása esetén tudja garantálni a gép problémamentes működését, melyek a SKIL-márkakereskedőknél kaphatók
- Ha nem SKIL-tartozékokat szerel fel/használ, az adott gyártó előírásait tartsa be
- Csak olyan tartozékot használjon, amelyek legmagasabb megengedett fordulatszáma legalább akkora, mint a berendezés legmagasabb üresjárati fordulatszáma
- Tilos olyan tartozékot használni, melynek zárt menetes lyukmérete kisebb mint M14 x 21 mm
- Ne használjon károsodott, deformálódott vagy rezgő tartozékokat

KÜLTÉRI HASZNÁLAT

- Amennyiben szabadban használja a szerszámot (F1), 30 mA indítóáramú hibaáram megszakítón keresztül csatlakozzon a hálózathoz, és csak olyan hosszabbító vezetékét használjon, mely szabadterí használatra készült, és freccsenő víz ellen védett csatlakozóaljzata va

HASZNÁLAT ELŐTT

- Mindig ellenőrizze, hogy a hálózati feszültség megegyezik-e a gép adattábláján feltüntetett értékkel (a 230V vagy 240V jelzésű gépek 220V feszültségre is csatlakoztathatók)
- Mindig szerelje fel az A ③ vagy B ③ oldalfogantyút; ne használja nélküle a szerszámot
- Az anyagból származó por (mint például az ólmot, néhány fafajtát, ásványi anyagokat és fémet tartalmazó

festék) káros lehet (a por érintése vagy belégzése allergiás reakciókat és/vagy légzőszervi betegségeket okozhat a kezelő, illetve a közelben állók esetében);

viseljen pormaszkot és amennyiben csatlakoztatható, dolgozzon porelcsívő berendezéssel

- Bizonyos porfajták rákkeltő besorolással rendelkeznek (ilyen például a tölgy- és a bükkfa pora), különösen a fa kondicionálására szolgáló adalékokkal együtt; **viseljen pormaszkot és amennyiben csatlakoztatható, dolgozzon porelcsívő berendezéssel**
- Kövesse a por kezelésével kapcsolatos helyi előírásokat azon termékkel kapcsolatosan, amellyel dolgozni kíván
- **Rögzítse a munkadarabot** (befogókészülékkel vagy statuval befogott munkadarabot sokkal biztonságosabban lehet rögzíteni mint a kézzel tartottat)
- A gépet tilos satuba fogni
- Használjon teljesen leteker és biztonságos hosszabbítókábelt, 16 A-es teljesítménnyel

HASZNÁLAT KÖZBEN

- Tartsa mindig két kézzel, erősen a gépet, s válasszon stabil és biztonságos
- A gép mozgó részétől mindig tartsa távol az elektromos kábelt; terelje a tápkábelt a gép hátulja felé, a géptől elfelé
- Ha a kábel munka közben megsérül vagy el van vága, ne érjen a kábelhoz, hanem azonnal húzza ki a konektorból
- Soha ne használja a szerszámot ha a kábel sérült; cseréltesse ki szakértő által
- Normálistól eltérő működés valamint szokatlan, idegen hangok esetén a készüléket azonnal kapcsolja ki és a kábelt húzza ki a fali dugaszoló aljzatból
- Ha áramszünet következik be, vagy ha a dugós csatlakozót véletlenül kihúzza, a gép akaratlan újraindításának megelőzésére azonnal oldja fel a kapcsoló H ③ engedje ki

A HASZNÁLATOT KÖVETŐEN

- Mielőtt leteszi a gépet, kapcsolja ki a motort és bizonyosodjon meg arról, hogy minden mozgó alkatrész teljesen megállt
- Miután kikapcsolta a gépet, a tartozék forgását sose annak síkjára merőleges erővel állítsa meg

KEZELÉS

- Az oldalfogantyúk felszerelése ⑤
 - ! **húzzuk ki a kábel dugóját a csatlakozóaljzatból**
 - csavarozza az A jelű oldalfogantyút a gép jobb vagy bal oldalára (az elvégzendő munkától függően)
 - csavarozza fel a B jelű fogantyút az ábra szerint, majd húzza meg mindkét mellékelt csavart a C imbuszkulccsal
- Tartozékok felszerelése ③
 - ! **húzzuk ki a kábel dugóját a csatlakozóaljzatból**
 - tisztítsa meg az D jelű tengelyt és az összes felszerelendő alkatrészt
 - csavarozza fel a tépőzáras csiszolóanyagért E a tengelyre D miközben benyomja a tengelyt reteszelő gombot F
 - ! **csak akkor nyomja meg a F jelű, elfordulás elleni gombot, amikor az D jelű tengely mozdulatlanul áll**

- egyszerűen nyomja rá a gyapjú sapkát G a tépózáras csiszolóférra E
- tartozékok levételéhez fordított sorrendben ismételje meg az előző lépéseket
- Mielőtt üzembe helyezné a gépet
 - ellenőrizze, hogy a tartozék helyesen legyen felszerelve, valamint a csavarokkal megfelelően rögzítve legyenek
 - kézzel ellenőrizze, hogy a vágótárcsa szabadon mozogjon
 - egy próba bekapcsolást végezzen el úgy, hogy a gép legalább 30 másodpercig a legmagasabb fordulatszámon terhelés nélkül üzemeljen biztonságos körülmények között
 - erős vibrálásnál vagy más hibák észlelésekor gépet rögtön kapcsolja ki és ellenőrizze a gép előírásnak megfelelően került üzemeltetésre
- Be/Ki
 - a gépet az H ③ kapcsoló lenyomásával bekapcsoljuk és felengedésével kikapcsoljuk
- Elektronikus késleltető

A késleltető a max. fordulatszámot biztosítja, hogy a gép bekapcsolásakor ne rántsön nagyot
- Kapcsolórögzítő folyamatos használat esetére
 - nyomjuk be az H kapcsolót
 - nyomjuk be a J gombot
 - a rögzítés kioldása az H kapcsoló újbóli lenyomásával történik
- Sebességszabályozása ⑥
 - a K kerék segítségével állítható be fokozatmentesen a legnagyobb fordulatszám, az alacsonytól a magasig (1-MAX)
 - kezdje a munkát az K kerék 1-es pozícióban (alacsonyabb fordulatszámon)
 - szükség esetén válasszon menet közben magasabb fordulatszámot
 - az optimális sebesség az anyagtól függ, és próbálkozásokkal határozható meg
- A gép üzemeltetése
 - kapcsolja be a gépet
 - illesze a szerszámot teljes felületével a fényesíteni kívánt felületre, és mozgassa szakaszonként egyenletesen
 - az egyik menet legyen félig átfedésben a következő menettel
 - ne tartsa egyhelyben a szerszámot, mert megéghet a felület
 - a szerszámot ne körkörösén mozgassa, mert a felület foltos lehet, vagy megéghet
- ! **kikapcsolás előtt készülékét távolítsa el a munkadarabtól**
- ! **a gép kikapcsolása után a tárcsa egy pár másodpercig tovább forog**
- A gép vezetése és tartása ⑦
 - ! **munka közben mindvégig tartsa gépet a szürke színű markolati terület(ek)en**
 - a gépet mindig mindkét kézzel erősen fogva tartsa, hogy így mindenkor teljesen ellenőrzése alatt legyen a gép
 - gondoskodjon szilárd támaszról
 - ! **soha ne fejtessen ki akkora nyomást a gépre, hogy az megálljon**
 - a szellőzőnyílásokat L ③ mindig tartsa szabadon

KARBANTARTÁS / SZERVIZ

- A szerszámot védje az ütődésektől és a kenőanyagoktól
- Mindig tartsa tisztán a gépet és a vezetékét (különös tekintettel a szellőzőnyílásokra L ③)
- ! **tisztítás előtt húzza ki a csatlakozódugót**
- ! **tisztításnál a levegőnyílásokra ne használjon hegyes tárgyakat**
- Ha a gép a gondos gyártási és ellenőrzési eljárás ellenére egyszer mégis meghibásodna, akkor a javítással csak SKIL elektromos kéziszerszám-műhely ügyfélszolgálatát szabad megbízni
 - küldje az **összeszerelt** gépet a vásárlást bizonyító számlával együtt a kereskedő vagy a legközelebbi SKIL szervizállomás címére (a címlista és a gép szervizdiagramja a www.skilmasters.com címen található)

KÖRNYEZET

- **Az elektromos kéziszerszámokat, tartozékokat és csomagolást ne dobja a háztartási szemétkébe** (csak EU-országok számára)
 - a használt villamos és elektronikai készülékekről szóló 2002/96/EK irányelv és annak a nemzeti jogba való átültetése szerint az elhasznált elektromos kéziszerszámokat külön kell gyűjteni, és környezetbarát módon újra kell hasznosítani
 - erre emlékeztet a ⑧ jelzés, amennyiben felmerül az intézkedésre való igény

MEGFELELŐSÉGI NYILATKOZAT CÉ

- Egyedüli felelősséggel kijelentjük, hogy a "Műszaki adatok" alatt leírt termék megfelel a következő szabványoknak, illetve irányadó dokumentumoknak: EN 60745, EN 61000, EN 55014 a 2004/108/EK, 2006/42/EK, 2011/65/EU irányelveknek megfelelően
- **A műszaki dokumentáció a következő helyen található:** SKIL Europe BV (PT-SEU/ENG1), 4825 BD Breda, NL

Marijn van der Hoofden
Operations & Engineering

Olaf Dijkgraaf
Approval Manager




SKIL Europe BV, 4825 BD Breda, NL

19.08.2013

ZAJ/REZGÉS

- Az EN 60745 alapján végzett mérések szerint ezen készülék hangnyomás szintje 86 dB(A) a hangteljesítmény szintje 97 dB(A) (normál eltérés: 3 dB), a rezgésszám 8,5 m/s² (kézre-ható érték; szórás K = 1,5 m/s²)
- A rezgés-kibocsátási szint mérése az EN 60745 szabványban meghatározott szabványosított teszttel összhangban történt; ez egy eszköznek egy másik eszközzel történő összehasonlítására, illetve a rezgéssel való kitettség előzetes felmérésére

használható fel az eszközne az említett alkalmazásokra történő felhasználása során

- az eszközne eltérő alkalmazásokra, vagy eltérő, illetve rosszul karbantartott tartozékokkal történő felhasználása jelentősen **emelheti** a kitettségszintjét
 - az idő, amikor az eszköz ki van kapcsolva, vagy amikor ugyan működik, de ténylegesen nem végez munkát, jelentősen **csökkenti** a kitettségszintjét
- ! az eszköz és tartozékai karbantartásával, kezének melegen tartásával, és munkavégzésének megszervezésével védje meg magát a rezgések hatásaitól**

CZ

Leštička

9955

ÚVOD

- Tento nástroj je určen k leštění kovových, plastových, potažených a kamenných povrchů bez použití vody
- Tento návod s pokyny si pečlivě přečtete a uschovejte ②

TECHNICKÁ DATA ①

SOUČÁSTI NÁSTROJE ③

- A Pomocná rukojeť
- B Pomocná rukojeť (typ D)
- C Sestihanný klíč
- D Vřeteno
- E Unašeč (VELCRO)
- F Tlačítko k zajištění vřetena
- G Vlněný návlak
- H Spínač "zapnuto/vypnuto"
- J Knoflík pro zajištění hlavního spínače "zapnuto/vypnuto"
- K Kolečko na kontrola maximální rychlosti
- L Větrací štěrby

BEZPEČNOST

VŠEOBECNÉ BEZPEČNOSTNÍ PŘEDPISY

⚠ POZOR! Čtete všechna varovná upozornění a pokyny. Zanedbání při dodržování varovných upozornění a pokynů mohou mít za následek úder elektrickým proudem, požár a/nebo těžká poranění. **Všchna varovná upozornění a pokyny do budoucna uschovejte.** Ve varovných upozorněních použitý pojem "elektronářadí" se vztahuje na elektronářadí provozované na el. síti (se síťovým kabelem) a na elektronářadí provozované na akumulátoru (bez síťového kabelu).

1) BEZPEČNOST PRACOVNÍHO MÍSTA

- Udržujte Vaše pracovní místo čisté a uklizené.** Nepořádek nebo neosvětlené pracovní oblasti mohou vést k úrazům.
- Se strojem nepracujte v prostředích ohrožených explozí, kde se nacházejí hořlavé kapaliny, plyny nebo prach.** Elektronářadí vytváří jiskry, které mohou prach nebo páry zapálit.

- Děti a jiné osoby udržujte při použití elektronářadí daleko od Vašeho pracovního místa.** Při rozptýlení můžete ztratit kontrolu nad strojem.

2) ELEKTRICKÁ BEZPEČNOST

- Připojovací zástrčka stroje musí lícovat se zásuvkou. Zástrčka nesmí být žádným způsobem upravena. Společně se stroji s ochranným uzemněním nepoužívejte žádné adaptérové zástrčky.** Neupravené zástrčky a vhodné zásuvky snižují riziko elektrického úderu.
 - Zabraňte kontaktu těla s uzemněnými povrchy, jako např. potrubí, topení, sporáky a chladničky.** Je-li Vaše tělo uzemněno, existuje zvýšené riziko elektrického úderu.
 - Chraňte stroj před deštěm a vlhkem.** Vniknutí vody do elektrického stroje zvyšuje nebezpečí elektrického úderu.
 - Dbejte na účel kabelu, nepoužívejte jej k nošení či zavěšení stroje nebo vytažení zástrčky ze zásuvky.** Udržujte kabel daleko od tepla, oleje, ostrých hran nebo pohyblivých dílů stroje. Poškozené nebo spletené kabely zvyšují riziko elektrického úderu.
 - Pokud pracujete s elektronářadím venku, použijte pouze takové prodlužovací kabely, které jsou schváleny i pro venkovní použití.** Použití prodlužovacího kabelu, jež je vhodný pro použití venku, snižuje riziko elektrického úderu.
 - Pokud se nelze vyhnout provozu elektronářadí ve vlhkém prostředí, použijte ochranný jistič.** Nasazení ochranného jističe snižuje riziko úderu elektrickým proudem.
- ### 3) BEZPEČNOST OSOB
- Buďte pozorní, dávejte pozor na to, co děláte a přistupujte k práci s elektronářadím rozumně. Stroj nepoužívejte pokud jste unavení nebo pod vlivem drog, alkoholu nebo léků.** Moment nepozornosti při použití elektronářadí může vést k vážným poraněním.
 - Noste osobní ochranné pomůcky a vždy ochranné brýle.** Nošení osobních ochranných pomůcek jako maska proti prachu, bezpečnostní obuv s protiskluzovou podrážkou, ochranná přilba nebo sluchátka, podle druhu nasazení elektronářadí, snižují riziko poranění.
 - Zabraňte neúmyslnému uvedení do provozu. Přesvědčte se, že je elektronářadí vypnuté dříve než jej uchopíte, poneseťe či připojíte na zdroj proudu a/ nebo akumulátor.** Máte-li při nošení elektronářadí prst na spínači nebo pokud stroj připojíte ke zdroji proudu zapnutý, pak to může vést k úrazům.
 - Než stroj zapnete, odstraňte seřizovací nástroje nebo šroubovák.** Nástroj nebo klíč, který se nachází v otáčivém dílu stroje, může vést k poranění.
 - Nepřeceňujte se. Zajistěte si bezpečný postoj a vždy udržujte rovnováhu.** Tím můžete stroj v neočekávaných situacích lépe kontrolovat.
 - Noste vhodný oděv. Nenoste žádný volný oděv nebo šperky. Vlasy, oděv a rukavice udržujte daleko od pohybujících se dílů.** Volný oděv, šperky nebo dlouhé vlasy mohou být zachyceny pohybujícími se díly.
 - Lze-li namontovat odsávací či zachycující přípravky, přesvědčte se, že jsou připojeny a správně použity.** Použití odsávání prachu může snížit ohrožení prachem.

4) SVĚDOMITÉ ZACHÁZENÍ A POUŽÍVÁNÍ ELEKTRONÁRAĐÍ

- a) **Stroj nepřetěžujte. Pro svou práci použijte k tomu určený stroj.** S vhodným elektronářadím budete pracovat v udané oblasti výkonu lépe a bezpečněji.
- b) **Nepoužívejte žádné elektronářadí, jehož spínač je vadný.** Elektronářadí, které nelze zapnout či vypnout je nebezpečné a musí se opravit.
- c) **Než provedete seřízení stroje, výměnu dílů příslušenství nebo stroj odložíte, vytáhnete zástrčku ze zásuvky a/nebo odstraňte akumulátor.** Toto preventivní opatření zabrání neúmyslnému zapnutí stroje.
- d) **Uchovávejte nepoužívané elektronářadí mimo dosah dětí. Nechte stroj používat osobám, které se strojem nejsou seznámeny nebo nečetly tyto pokyny.** Elektronářadí je nebezpečné, je-li používáno nezkušenými osobami.
- e) **Pečujte o stroj svědomitě. Zkontrolujte, zda pohyblivé díly stroje bezvadně fungují a nevzpříčují se, zda díly nejsou zlomené nebo poškozené tak, že je omezena funkce stroje. Poškozené díly nechte před nasazením stroje opravit.** Mnoho úrazů má příčinu ve špatně udržovaném elektronářadí.
- f) **Rezné nástroje udržujte ostré a čisté.** Pečlivě ošetrované rezné nástroje s ostrými reznými hranami se méně vzpříčují a dají se lehčeji vést.
- g) **Používejte elektronářadí, příslušenství, nasazovací nástroje apod. podle těchto pokynů. Respektujte přitom pracovní podmínky a prováděnou činnost.** Použití elektronářadí pro jiné než určující použití může vést k nebezpečným situacím.

5) SERVIS

- a) **Nechte Váš stroj opravit pouze kvalifikovaným odborným personálem a pouze s originálními náhradními díly.** Tím bude zajištěno, že bezpečnost stroje zůstane zachována.

BEZPEČNOSTNÍ POKYNY PRO LEŠTIČKY

1) BEZPEČNOSTNÍ PŘEDPISY PRO VŠECHNY ČINNOSTI

- a) **Toto elektronářadí se používá jako leštička. Dbejte všech varovných upozornění, pokynů, zobrazení a údajů, jež jste s elektronářadím obdrželi.** Pokud následující pokyny nedodržíte, může to vést k úderu elektrickým proudem, požáru nebo těžkým poraněním.
- b) **Nedoporučujeme používat toto elektronářadí k broušení, kartáčování ani řezání.** Činnosti, k jejichž provádění nebylo toto elektronářadí určeno, mohou způsobit nebezpečné situace a zranění osob.
- c) **Nepřipusťte žádné uvolněné části na leštícím potahu, zvláště upevňovací provázek. Upevňovací provázky dobře urovnejte nebo zkraťte.** Volné, spolu se otáčející upevňovací provázky mohou zachytit Vaše prsty nebo se zamotat do obrobku.
- d) **Nepoužívejte žádné příslušenství, které není výrobcem pro toto elektronářadí speciálně určeno a doporučeno.** Pouze to, že můžete příslušenství na Vaše elektronářadí upevnit, nezaručuje bezpečné použití.
- e) **Dovolené otáčky nasazovacího nástroje musí být nejméně tak vysoké jako nejvyšší otáčky uvedené na elektronářadí.** Příslušenství, jež se otáčí rychleji než je dovoleno, může být zničeno.

- f) **Vnější rozměr a tloušťka nasazovacího nástroje musí odpovídat rozměrovým údajům Vašeho elektronářadí.** Špatně dimenzované nasazovací nástroje nemohou být dostatečně stíněny nebo kontrolovány.
- g) **Nasazovací nástroje se závitovou vložkou musejí přesně lícovat na závit brusného vřetene. U nasazovacích nástrojů, jež jsou montovány prostřednictvím příruby, musí průměr otvoru nasazovacího nástroje lícovat na upínací průměr příruby.** Nasazovací nástroje, které nejsou na elektronářadí upevněné přesně, se nerovnoměrně otáčejí, velmi silně vibrují a mohou vést ke ztrátě kontroly.
- h) **Nepoužívejte žádné poškozené nasazovací nástroje.** Zkontrolujte před každým použitím nasazovací nástroje jako brusné kotouče na odštěpky a trhliny, brusné talíře na trhliny, otěr nebo silné opotřebení, drátěné kartáče na uvolněné nebo zlomené dráty. Spadne-li elektronářadí nebo nasazovací nástroj z výšky, zkontrolujte zda není poškozený nebo použijte nepoškozený nasazovací nástroj. Pokud jste nasazovací nástroj zkontrolovali a nasadili, držte se Vy a v blízkosti nacházející se osoby mimo rovinu rotujícího nasazovacího nástroje a nechte elektronářadí běžet jednu minutu s nejvyššími otáčkami. Poškozené nasazovací nástroje většinou v této době testování prasknou.
- i) **Noste osobní ochranné vybavení ④. Podle aplikace použijte ochranu celého obličje, ochranu očí nebo ochranné brýle. Taktéž adekvátně noste ochrannou masku proti prachu, ochranu sluchu, ochranné rukavice nebo speciální zástěru, jež Vás ochrání před malými částicemi brusiva a materiálu.** Oči mají být chráněny před odletujícími cizími tělisky, jež vznikají při různých nasazeních. Protiprachová maska či respirátor musejí při nasazení vznikající prach odfiltrovat. Pokud jste dlouhou vystavení silnému hluku, můžete utrpět ztrátu sluchu.
- j) **Dbejte u ostatních osob na bezpečnou vzdálenost k Vaší pracovní oblasti. Každý, kdo vstoupí do této pracovní oblasti, musí nosit osobní ochranné vybavení.** Úlomky obrobku nebo zlomené nasazovací nástroje mohou odletnout a způsobit poranění i mimo přímou pracovní oblast.
- k) **Držte síťový kabel daleko od otáčejících se nasazovacích nástrojů.** Když ztratíte kontrolu nad elektronářadím, může být přerušeno nebo zachycen síťový kabel a Vaše paže nebo ruka se může dostat do otáčejícího se nasazovacího nástroje.
- l) **Nikdy neodkládejte elektronářadí dříve, než se nasazovací nástroj dostal zcela do stavu klidu.** Otáčející se nasazovací nástroj se může dostat do kontaktu s odkládací plochou, čímž můžete ztratit kontrolu nad elektronářadím.
- m) **Nenechte elektronářadí běžet po dobu, co je nesete.** Váš oděv může být náhodným kontaktem s otáčejícím se nasazovacím nástrojem zachycen a nasazovací nástroj se může zavrtat do Vašeho těla.
- n) **Čistěte pravidelně větrací otvory Vašeho elektronářadí.** Ventilátor motoru vtahuje do tělesa prach a silné nahromadění kovového prachu může způsobit elektrická rizika.

- o) **Nepoužívejte elektronářadí v blízkosti hořlavých materiálů.** Jiskry mohou tyto materiály zapálit.
- p) **Nepoužívejte žádné nasazovací nástroje, které vyžadují kapalných chladících prostředky.** Použití vody nebo jiných kapalných chladících prostředků může vést k úderu elektrickým proudem.

2) ZPĚTNÝ RÁZ A ODPOVÍDAJÍCÍ VAROVNÁ UPOZORNĚNÍ

- Zpětný ráz je náhlá reakce v důsledku zaseknutého nebo zablokovaného otáčejícího se nasazovacího nástroje, jako je brusný kotouč, brusný talíř, drátěný kartáč atd. Zaseknutí nebo zablokování vede k náhlému zastavení rotujícího nasazovacího nástroje. Tím nekontrolované elektronářadí akceleruje v místě zablokování proti směru otáčení nasazovacího nástroje.
- Pokud se např. přičí nebo blokuje brusný kotouč v obrobku, může se hrana brusného kotouče, která se zanoří do obrobku, zakusnout a tím brusný kotouč vylomit nebo způsobit zpětný ráz. Brusný kotouč se potom pohybuje k nebo od obsluhující osoby, podle směru otáčení kotouče na místě zablokování. Při tom mohou brusné kotouče i prasknout.
- Zpětný ráz je důsledek nesprávného nebo chybného použití elektronářadí. Lze mu zabránit vhodnými preventivními opatřeními, jak je následně popsáno.

a) **Držte elektronářadí dobře pevně a dejte Vaše tělo a paže do polohy, ve které můžete zachytit síly zpětného rázu. Je-li k dispozici, používejte vždy**

- **přidavnou rukojeť, abyste měli co největší možnost kontroly nad silami zpětného rázu nebo reakčních momentů při rozběhu.** Obsluhující osoba může vhodnými preventivními opatřeními zvládnout síly zpětného rázu a reakčního momentu.

b) **Nedávejte Vaši ruku do blízkosti otáčejících se nasazovacích nástrojů.** Nasazovací nástroj se při zpětném rázu může pohybovat přes Vaši ruku.

- c) **Vyhýbejte se Vaším tělem oblastí, kam se bude elektronářadí při zpětném rázu pohybovat.** Zpětný ráz vhání elektronářadí v místě zablokování do opačného směru k pohybu brusného kotouče.

d) **Zvlášť opatrně pracujte v místech rohů, ostrých hran apod. Zabraňte, aby se nasazovací nástroje odrazil od obrobku a vzpříčil.** Rotující nasazovací nástroj je u rohů, ostrých hran a pokud se odrazí náchylný na vzpříčení se. Toto způsobí ztrátu kontroly nebo zpětný ráz.

- e) **Nepoužívejte žádný článkový nebo ozubený pilový kotouč.** Takovéto nasazovací nástroje způsobují často zpětný ráz nebo ztrátu kontroly nad elektronářadím.

OBCENĚ

- Používejte tento nástroj pouze k broušení za sucha
- Používejte pouze příruby dodávané s tímto nástrojem
- Tento nástroj nesmí používat osoby mladší 16 let
- **Před seřizováním, měněním pilových listů a příslušenství, vždy vytáhněte zástrčku nářadí z el. sítě**
- **Nepracovávajte žádný materiál obsahující azbest (azbest je karcinogenní)**

PŘÍSLUŠENSTVÍ

- SKIL zajistí bezchybnou funkci nářadí pouze tehdy, používáte-li odpovídající příslušenství, které obdržíte u svého prodejce SKIL
- Při montáži nebo používání jiného příslušenství než značky SKIL se řiďte pokyny daného výrobce
- Používejte pouze příslušenství, jejichž dovolené otáčky jsou alespoň tak vysoké jako nejvyšší otáčky stroje naprázdno
- Nikdy nepoužívejte příslušenství se "slepým" závitovým otvorem menším než M14 x 21 mm
- Nepoužívejte poškozené, deformované ani vibrující příslušenství

VENKOVNÍ POUŽITÍ

- Při venkovním použití zapojte nástroj přes jistič poruchového proudu (FI) se spouštěcím proudem max. 30 mA, a používejte pouze takovou prodlužovací šňůru, která je určena pro venkovní použití a je vybavena spojovací zásuvkou chráněnou proti stříkající vodě

PŘED POUŽITÍM

- Vždy zkontrolujte, zda je napájecí napětí stejné jako napětí uvedené na typovém štítku nástroje (nářadí určené k napájení 230V nebo 240V lze použít též v síti 220V)
- Vždy upevněte pomocnou rukojeť A ③ nebo B ③; nikdy nástroj nepoužívejte bez ní
- Prach z látek, jako jsou barvy obsahující olovo, některé druhy dřeva, minerály a kovy, může být škodlivý (kontakt s prachem nebo jeho vdechnutí může způsobit alergickou reakci a/nebo vyvolat respirační choroby u obsluhy nebo přihlížejících); **noše protiprachovou masku a pracujte se zařízením na odsávání prachu, pokud je možné jej připojit**
- Některé druhy prachu jsou klasifikovány jako karcinogenní (například dubový a bukový prach) zejména ve spojení s přísadami pro úpravu dřeva; **noše protiprachovou masku a pracujte se zařízením na odsávání prachu, pokud je možné jej připojit**
- Dodržujte stanovená nařízení pro práci v prašném prostředí
- **Zajistěte obráběný díl** (obráběný díl uchycený pomocí upínacích zařízení nebo ve svěráku je mnohem bezpečnější než v ruce)
- Neupínejte nástroj do svěráku
- Používejte zcela rozvinutá a bezpečně prodlužovací šňůry o kapacitě 16 ampér

BĚHEM POUŽITÍ

- Při práci nástroj držte vždy oběma rukama a pevně se postavte
- Šňůru udržujte vždy mimo dosah pohyblivých částí nástroje; šňůru nasměrujte dozadu, pryč od nástroje
- Jestliže přívodní šňůru při práci podkódníte nebo proříznete, nedotýkejte se jí a okamžitě ji vytáhněte ze síťové zásuvky
- Pila se nesmí používat, je-li její přívodní šňůra poškozená; nechte si je kvalifikovaným pracovníkem vyměnit
- V případě atypického chování nebo cizích hluků ihned vypněte nářadí a vytáhněte zástrčku
- V případě přerušení proudu nebo při náhodném vytažení ze zásuvky ihned uvolněte spínač H ③, aby nedošlo k nekontrolovanému opětovnému spuštění

PO POUŽITÍ

- Než nástroj odložíte, vypněte motor a přesvědčete se, že se všechny pohyblivé části úplně zastavily
- Po vypnutí nástroje nikdy nezastavujte otáčení příslušenství tlakem ze strany

OBSLUHA

- Připevnění pomocných rukojetí ⑤
 - ! **rozpojte přívodní šňůru**
 - našroubujte pomocnou rukojeť A na pravou nebo levou stranu nástroje (podle práce, kterou budete provádět)
 - upevněte pomocnou rukojeť B tak, jak je znázorněno na obrázku, a utáhněte oba dodané šrouby pomocí šestihranného klíče C
- Připevnění příslušenství ③
 - ! **rozpojte přívodní šňůru**
 - vycistěte vřeteno D a všechny části, které mají být připevněny
 - našroubujte VELCRO našeč E na vřeteno D, zatímco tlačíte na blokovací tlačítko vřetene F
 - ! **zajišťovací tlačítko vřetena F stiskněte pouze tehdy, je-li vřeteno D v klidu**
 - jednoduše přitlačte vlněný kotouč G na VELCRO našeč E
 - při odstraňování příslušenství postupujte obráceně
- Před použitím nářadí
 - ujistěte se, že kotouč je správně usazen a pevně utažen
 - překontrolujte, zda se kotouč volně neprotáčí
 - bezpečně vyzkoušejte chod nářadí spuštěním alespoň na 30 vteřin v nejvyšším výkonu bez zatížení
 - okamžitě nářadí vypněte v případě velké vibrace nebo jiné závady, překontrolujte nářadí k zamezení těchto závad
- Zapnuto/vypnuto
 - zapněte/vypněte nářadí stisknutím/uvolněním vypínače H ③
- Pozvolný rozběh
 - Vestavěná elektronika zajistí pozvolný rozběh brusky, bez velkého rázu po zapnutí
- Aretace spínače pro nepřetržitě použití
 - stiskem vypínače H
 - stiskněte knoflík J palcem
 - dalším stisknutím vypínače H se knoflík uvolní
- Kontrola rychlosti ⑥
 - pomocí ovladače K se reguluje plynule maximální rychlost od nízké až po vysokou (1-MAX)
 - zahajte práci s ovládacím kolečkem K v poloze 1 (nižší rychlost)
 - v případě potřeby zvolte vyšší rychlost, když je nástroj již spuštěn
 - optimální pracovní rychlost závisí na daném materiálu a můžete ji zjistit praktickými pokusy
- Použití nástroje
 - zapněte nářadí
 - položte nástroj zcela na leštěný povrch a pohybujte jím rovnoměrně po jednotlivých částech
 - jeden pohyb by měl překrývat předchozí pohyb o jednu polovinu
 - nezastavujte se na jednom místě, aby nedošlo ke spálení povrchu
 - nepohybujte nástrojem v kruzích, aby nedošlo k vytvoření skvrn nebo ke spálení povrchu

- ! **před vypnutím nářadí nejprve odejměte od obrobku**
- ! **po vypnutí nářadí kotouč pokračuje v otáčivém pohybu, vyčkejte proto do úplného zastavení kotouče**
- Držení a vedení nástroje ⑦
 - ! **při práci vždy držte nástroj v šedě zbarvené oblasti rukojeti**
 - nástroj držte vždy pevně oběma rukama, jen tak budete mít v každém okamžiku nad nástrojem plnou kontrolu
 - zaujměte bezpečný postoj
 - ! **nevyvíjejte na nástroj takový tlak, při kterém by došlo k jeho zastavení**
 - udržujte větrací štěrbyin L ③ nezakryté

ÚDRŽBA / SERVIS

- Chraňte nástroj před nárazy, oťřesy a mastnotou
- Nástroj a přívodní šňůru udržujte čisté (zejména větrací štěrbyin L ③)
 - ! **před čištěním odpojte zástrčku**
 - ! **nepokoušejte se je čistit tak, že strčíte hroty předmětů mezi větrací štěrbyin**
- Pokud dojde i přes pečlivou výrobu a náročnou kontroly k poruše nástroje, svěťte provedení opravy autorizovanému servisnímu středisku pro elektronnářadí firmy SKIL
 - zašlete nástroj **nerozebraný** spolu s potvrzením o nákupu své prodejně nebo nejbližšímu servisu značky SKIL (adresy a servisní schéma nástroje najdete na www.skilmasters.com)

ŽIVOTNÍ PROSTŘEDÍ

- **Elektrické nářadí, doplňky a balení nevyhazujte do komunálního odpadu** (jen pro státy EU)
 - podle evropské směrnice 2002/96/EG o nakládání s použitými elektrickými a elektronickými zařízeními a odpovídajících ustanovení právních předpisů jednotlivých zemí se použítá elektrická nářadí, musí sbírat odděleně od ostatního odpadu a podrobit ekologicky šetrnému recyklování
 - symbol ⑧ na to upozorňuje

PROHLÁŠENÍ O SHODĚ CE

- Prohlašujeme v plné naší zodpovědnosti, že v odstavci "Technická data" popsaný výrobek je v souladu s následujícími normami nebo normativními dokumenty: EN 60745, EN 61000, EN 55014, podle ustanovení směrnic 2004/108/ES, 2006/42/ES, 2011/65/EU
- **Technická dokumentace u:** SKIL Europe BV (PT-SEU/ENG1), 4825 BD Breda, NL

Marijn van der Hoofden Olaf Dijkgraaf
Operations & Engineering Approval Manager

SKIL Europe BV, 4825 BD Breda, NL

19.08.2013

HLUČNOSTI/VIBRACÍ

- Měřeno podle EN 60745 číni tlak hlukové vlny tohoto přístroje 86 dB(A) a dávka hlučnosti 97 dB(A) (standardní odchylka: 3 dB), a vibrací 8,5 m/s² (metoda ruka-paže; nepřesnost K = 1,5 m/s²)
- Úroveň vibrací byla měřena v souladu se standardizovaným testem podle EN 60745; je možné ji použít ke srovnání jednoho přístroje s druhým a jako předběžné posouzení vystavování se vibracím při používání přístroje k uvedeným aplikacím
 - používání přístroje k jiným aplikacím nebo s jiným či špatně udržovaným příslušenstvím může zásadně **zvýšit** úroveň vystavení se vibracím
 - doba, kdy je přístroj vypnutý nebo kdy běží, ale ve skutečnosti není využíván, může zásadně **snížit** úroveň vystavení se vibracím
- ! **chraňte se před následky vibrací tak, že budete dbát na údržbu přístroje a příslušenství, budete si udržovat teplé ruce a uspořádáte si své pracovní postupy**

TR

Cila makinesi

9955

GİRİŞ

- Bu alet, metal, plastik ve kaplanmış yüzeyleri ve aynı zamanda taş malzemeleri su kullanmadan parlatmak için tasarlanmıştır
- Bu kullanma kılavuzunu okuyun ve saklayın ②

TEKNİK VERİLER ①

ALET BİLEŞENLERİ ③

- A Yedek tutamak
- B Yedek tutamak (tip D)
- C Altıgen anahtar
- D Mil
- E Zımpara tablası (VELCRO)
- F Mil kilitleme düğmesi
- G Yün başlık
- H Açma/kapama şalteri
- J Açma/kapama şalteri kilit düğmesi
- K Maksimum hızı ayar düğmesi
- L Havalandırma yuvaları

GÜVENLİK

GENEL GÜVENLİK TALİMATI

⚠ DİKKAT! Bütün uyarıları ve talimat hükümlerini okuyun. Açıklanan uyarılara ve talimat hükümlerine uyulmadığı takdirde elektrik çarpmalarına, yangınlara ve/veya ağır yaralanmalara neden olunabilir. **Bütün uyarıları ve talimat hükümlerini ileride kullanmak üzere saklayın.** Uyarı ve talimat hükümlerinde kullanılan “elektrikli el aleti” kavramı, akım şebekesine bağlı (şebeke bağlantı kablosu ile) aletlerle akü ile çalışan aletleri (akım şebekesine bağlantısı olmayan aletler) kapsamaktadır.

1) ÇALIŞMA YERİ GÜVENLİĞİ

- a) **Çalıştığınız yeri temiz ve düzenli tutun.** İşyerindeki düzensizlik veya yetersiz aydınlatma kazalara neden olabilir.
- b) **Yanıcı sıvıların, gazların veya tozların bulunduğu patlama tehlikesi olan yer ve mekânlarda aletinizle çalışmayın.** Elektrikli el aletleri, toz veya buharların tutuşmasına veya yanmasına neden olan kıvılcımlar çıkarırlar.
- c) **Elektrikli el aletinizle çalışırken çocukları ve başkalarını çalışma alanınızın uzağında tutun.** Yakınızdaki bulunan kişiler dikkatinizi dağıtabilir ve bu da alet üzerindeki kontrolünüzü kaybetmenize neden olabilir.

2) ELEKTRİKSEL GÜVENLİK

- a) **Aletinizi bağlantı fişi prize uymalıdır. Fişi hiçbir şekilde değiştirmeyin. Koruyucu topraklamalı aletlerle adaptörlü fiş kullanmayın.** Değiştirilmemiş, orijinal fiş ve uygun prizler elektrik çarpma tehlikesini azaltır.
- b) **Borular, kalorifer tesisatı, ısıtıcılar ve buzdolapları gibi topraklanmış yüzeylerle bedensel temasa gelmekten kaçınınız.** Eğer bedeniniz topraklanacak olursa yüksek bir elektrik çarpma tehlikesi ortaya çıkar.
- c) **Aletinizi yağmur ve nemden koruyun.** Elektrikli el aletinin içine suyun sızması elektrik çarpma tehlikesini yükseltir.
- d) **Kabloyu kendi amacı dışında kullanmayın; örneğin aleti kablodan tutarak taşımayın, aleti kablo ile asmayın veya kablodan çekerek fişi prizden çıkarmayın. Kabloyu aşırı sıcaktan, yağlardan, keskin kenarlı cisimlerden veya aletin hareketli parçalarından uzak tutun.** Hasarlı veya dolaşmış kablo elektrik çarpma tehlikesini yükseltir.
- e) **Elektrikli el aletinizle açık havada çalışırken mutlaka açık havada kullanılmaya müsadeleli uzatma kablosu kullanınız.** Açık havada kullanılmaya uygun ve müsadeleli uzatma kablosunun kullanılması elektrik çarpma tehlikesini azaltır.
- f) **Elektrikli el aletinin nemli ortamlarda çalıştırılması şartsa, mutlaka toprak kaçağı devre kesicisi kullanınız.** Toprak kaçağı devre kesicisi kullanımı elektrik çarpma tehlikesini azaltır.

3) KİŞİLERİN GÜVENLİĞİ

- a) **Dikkatli olun, ne yaptığınızı dikkat edin ve elektrikli el aletinizle çalışırken makul hareket edin.** Yorgunsanız, hap, ilaç veya alkol almışsanız aletinizle kullanmayınız. Aletinizi kullanırken bir anlık dikkatsizliğiniz ciddi yaralanmalara yol açabilir.
- b) **Daima kişisel korunma donanımları ve bir koruyucu gözlük kullanınız.** Elektrikli el aletinin türü ve kullanımına uygun olarak kullanacağınız toz maskesi, kaymayan sağlam iş ayakkabıları, koruyucu kask veya koruyucu kulaklık gibi kişisel korunma donanımlarını kullanmanız yaralanma tehlikesini büyük ölçüde azaltır.
- c) **Aleti yanlışlıkla çalıştırmaktan kaçınınız. Akım ikmal şebekesine ve/veya aküye bağlamadan, elinize alıp taşımadan önce elektrikli el aletinin kapalı durumda olduğundan emin olun.** Elektrikli el aletini parmağınız şalter üzerinde dururken taşırsanız ve alet açıkken fişi prize sokarsanız kazalara neden olabilirsiniz.
- d) **Aleti çalıştırmadan önce ayar aletlerini veya tornavidaları aletten uzaklaştırınız.** Dönen alet

parçasına temas halinde bulunan bir uç veya anahtar yaralanmalara neden olabilir.

- e) **Kendinize çok fazla güvenmeyin. Duruşunuzun güvenli olmasına dikkat edin ve daima denginizi koruyun.** Bu sayede aletinizi beklenmedik durumlarda daha iyi kontrol edersiniz.
- f) **Uygun iş giysileri giyin. Çalışırken çok bol giysiler giymeyin ve takı takmayın. Saçlarınızı, giysilerinizi ve eldivenlerinizi aletin hareketli parçalarından uzak tutun.** Bol giysiler, takılar veya uzun saçlar aletin hareketli parçaları tarafından tutulabilir.
- g) **Aletinize toz emme donanımı ve toz tutma donanımı takılabiliyorsa, bunların bağlı olup olmadığını ve doğru işlev görüp görmediklerini kontrol edin.** Toz emme donanımının kullanımı tozdan kaynaklanabilecek tehlikeleri azaltır.
- 4) **ELEKTRİKLİ EL ALETLERİYLE DİKKATLİ ÇALIŞMAK VE ALETİ DOĞRU KULLANMAK**
 - a) **Aletinizi aşırı ölçüde zorlamayın. İşinize uygun elektrikli el aletini kullanın.** Uygun elektrikli el aleti ile belirtilen performans alanında daha iyi ve daha güvenli çalışırsınız.
 - b) **Açma/kapama şalteri arızalı olan elektrikli el aletini kullanmayın.** Açılıp kapanamayan bir elektrikli el aleti tehlikelidir ve onarılması gerekir.
 - c) **Alette bir ayarlama işleme başlamadan ve/veya aküyü çıkarmadan önce, herhangi bir aksesuarı değiştirirken veya aleti elinizden bırakırken fişi prizden çekin.** Bu önlem, aletin kontrolünüz dışında ve istenmeden çalışmasını önler.
 - d) **Kullanım dışında iken elektrikli el aletinizi çocukların ulaşamayacağı bir yerde saklayın. Aleti kullanmayı bilmeyen veya bu güvenlik talimatını okumayan kişilerin aleti kullanmasına izin vermeyin.** Deneyimsiz kişiler tarafından kullanıldıkları takdirde elektrikli el aletleri tehlikeli olabilirler.
 - e) **Aletin bakımını özenle yapın. Aletin hareketli parçalarının kusursuz işlev görüp görmediklerini ve sıkışmadıklarını, parçalarını kırık veya hasarlı olup olmadıklarını kontrol edin, aksi takdirde alet işlevini tam olarak yerine getiremez. Aletinizi kullanmadan önce hasarlı parçaları onartın.** Birçok iş kazası aletlerin kötü ve yetersiz bakımından kaynaklanır.
 - f) **Kesici uçları keskin ve temiz tutun.** İyi bakım görmüş kesici uçlar daha ender sıkışır ve daha iyi yönlendirilirler.
 - g) **Elektrikli el aletlerini, aksesuarı, uçları ve benzerlerini bu güvenlik talimatına uygun olarak kullanın. Aletinizi kullanırken çalışma koşullarını ve yaptığınızı işi daima dikkate alın.** Elektrikli el aletlerini kendileri için öngörülen işlerin dışında kullanmak tehlikeli durumların ortaya çıkmasına neden olabilir.
- 5) **SERVİS**
 - a) **Aletinizi sadece uzman bir elemana ve orijinal yedek parçalar kullanılarak onartın.** Böylelikle aletin güvenliğini korumuş olursunuz.

CİLA MAKİNESİ İÇİN GÜVENLİK TALİMATLARI

1) BÜTÜN İŞLEMLER İÇİN GÜVENLİK TALİMATLARI

- a) **Bu elektrikli alet cila makinesi olarak tasarlanmıştır. Elektrikli el aleti ile birlikte teslim edilen bütün uyarılara, talimata, şekillere ve verilere uyun hareket**

edin. Aşağıdaki talimat hükümlerine uymadığınız takdirde elektrik çarpması, yangın veya ağır yaralanma tehlikesi ile karşılaşabilirsiniz.

- b) **Bu elektrikli alet, taşlama, zımparalama, telli fırçalama veya kesme işleri için tavsiye edilmez.** Bu elektrikli aletin yapması için tasarlandığı işlerin dışında kullanılması hasara ve kişisel yaralanmalara neden olabilir.
- c) **Özellikle tespit ipi olmak üzere polisaj kapağında gevşek parça bırakmayın. Tespit iplerini düzgünce yerleştirin veya kısaltın.** Birlikte dönen tespit ipleri parmaklarınızı kapabilir veya iş parçasına sarılabilir.
- d) **Üretici tarafından bu alet için öngörülmemiş ve tavsiye edilmeyen hiçbir aksesuar kullanmayın.** Çünkü aletinize takabileceğiniz her aksesuar güvenli kullanımı garanti etmez.
- e) **Bu aletle kullanacağınız uçların müsaade edilen devir sayıları az zından alet üzerinde belirtilen en yüksek devir sayısı kadar olmalıdır.** Müsaade edilen daha yüksek devir sayısı ile çalışan uçlar hasar görebilir.
- f) **Uçların dış çapları ve kalınlıkları elektrikli el aletinizin ölçülerine uymalıdır.** Yanlış ölçülere sahip uçlar yeterli ölçüde kontrol edilemez.
- g) **Dişli adaptör parçaları olan uçlar zımpara miline tam olarak uymalıdır. Flanş yardımı ile takılan uçlarda uçların delik çapı flanşın bağlama çapına uygun olmalıdır.** Elektrikli el aletine tam ve hassas biçimde tespit edilmeyen uçlar düzensiz dönerler, aşırı ölçüde titreşim yaparlar ve aletin kontrolünün kaybına neden olurlar.
- h) **Hasarlı uçları kullanmayın. Her kullanımdan önce taşlama disklerini soyulma ve çizik, zımpara tabularını çizik, aşınma ve yıpranma, tel fırçaları gevşek ve kopuk tel açısından kontrol edin. Elektrikli el aleti veya uç yere düşecek olursa, hasar görüp görmediklerini kontrol edin veya hasar görmemiş bir uç kullanın. Ucu kontrol edip taktıktan sonra çevrede bulunanları uzaklaştırın ve elektrikli el aletini denemek üzere bir dakika kadar en yüksek devir sayısında çalıştırın. Hasarlı uçlar genellikle bu test çalışmasında kırılır.**
- i) **Kişisel korunma donanımı kullanın ④. Yaptığınız işe uygun olarak tam koruyucu yüz siperi, göz siperi veya koruyucu gözlük kullanın. Eğer uygunsuz ve gerekiyorsa, küçük taşlama ve malzeme parçacıklarını sizden uzak tutacak olan toz maskesi, koruyucu kulaklık, koruyucu iş eldiveni veya özel çalışma önlüğü kullanın.** Gözler, çeşitli çalışma türleri sırasında ortaya çıkan ve çevreye savrulan nesnelere korunmalıdır. Toz veya soluma maskesi çalışma sırasında ortaya çıkan tozu filtre eder. Uzun süre aşırı ve çok yüksek gürültü altında kalırsanız işitme kaybına uğrayabilirsiniz.
- j) **Başkalarını çalışma yerinizden yeterli uzaklıkta tutun. Çalışma alanınıza giren herkes kişisel koruyucu donanım kullanmalıdır.** İş parçasından kopan parçalar veya kırılan uçlar fırlatabilir ve çalışma alanınızın dışında da yaralanmalara neden olabilir.
- k) **Şebeke baştağı kablosunu dönen uçtan uzak tutun.** Elektrikli el aletinin kontrolünü kaybederseniz şebeke

kablosu uç tarafından kesilebilir veya yakalanabilir, eliniz veya kolunuz dönmekte olan uca temas edebilir.

- l) **Uç tam olarak durmadan elektrikli el aletinin hiçbir zaman elinizden bırakmayın.** Dönmekte olan uç aletin bıraktığı zemine temas edebilir ve elektrikli el aletinin kontrolünü kaybedebilirsiniz.
 - m) **Elektrikli el aletini taşırken çalıştırmayın.** Giysileriniz dönmekte olan uç tarafından tutulabilir ve elektrikli el aleti bedeninizde delme yapabilir.
 - n) **Elektrikli el aletinizin havalandırma deliklerini düzenli olarak temizleyin.** Motor fanı tozları aletin gövdesine çeker ve biriken metal tozları elektrik çarpmasına neden olabilir.
 - o) **Elektrikli el aletini yanabilir malzemelerin yakınında kullanmayın.** Kivılcıklar bu malzemeyi tutuşturabilir.
 - p) **Sıvı soğutucu madde gerektiren uçları kullanmayın.** Su veya diğer sıvı soğutucu maddelerin kullanımı elektrik çarpmasına neden olabilir.
- 2) GERİ TEPME VE BUNA İLİŞKİN UYARILAR**
- Geri tepme, taşlama diski, zımpara tablası, tel fırça ve benzeri uçların takılması veya bloke olması sonucu ortaya çıkan ani bir tepkidir. Takılma veya bloke olma dönmekte olan ucun ani olarak durmasına neden olur. Bunun sonucunda da kontrolden çıkan elektrikli el aleti blokaj yerinde ucun dönme yönünün tersine doğru ivmelenir.
 - Örneğin bir taşlama diski iş parçası içinde takılır veya bloke olursa, taşlama diskinin iş parçası içine giren kenarı tutulur ve bunun sonucunda da disk kırılır veya bir geri tepme kuvveti oluşturabilir. Taşlama diski blokaj yerinde dönme yönüne göre kullanıcıya doğru veya onun bulunduğu yerin tersine doğru hareket eder. Bu durumda taşlama diski kırılabilir.
 - Geri tepme elektrikli el aletinin yanlış veya hatalı kullanımının bir sonucudur. Geri tepme kuvveti aşağıda belirtilen önlemlerle önenebilir.
- a) **Elektrikli el aletini sıkıca tutun ve bedeninizle kollarınızı geri tepme kuvvetlerini karşılayabilecek konuma getirin. Yüksek devirlerde geri tepme kuvvetlerini veya reaksiyon momentlerini kontrol edebilmek için eğer varsa daima ek tutamağı kullanın.** Kullanıcı kişi uygun önlemler alarak geri tepme kuvvetlerinin veya reaksiyon momentlerinin üstesinden gelebilir.
 - b) **Elinizi hiçbir zaman dönmekte olan ucun yakınına getirmeyin.** Aletin ucu geri tepme durumlarında elinize doğru hareket edebilir.
 - c) **Bedeninizi elektrikli el aletinin geri tepme kuvveti sonucu hareket edebileceği alandan uzak tutun.** Geri tepme kuvveti blokaj yerinde elektrikli el aletini taşlama diskinin dönüş yönünün tersine doğru hareket ettirin.
 - d) **Özellikle köşeler, keskin kenarlı nesnelere ve benzeri yerlerde çok dikkatli çalışın. Uçun iş parçasına çarpıp geri çıkmasını ve sıkışmasını önleyin.** Dönmekte olan uç köşelerde, keskin kenarlarda veya çarpma durumunda sıkışmaya eğilimlidir. Bu durum kontrol kaybına veya geri tepme kuvvetlerinin oluşmasına neden olur.
 - e) **Zincirli veya dişli testere bıçağı kullanmayın.** Bu tip uçlar sık sık geri tepme kuvvetinin oluşmasına veya elektrikli el aletinin kontrolünün kaybına neden olur.

GENEL

- Bu aleti yalnız kuru parlatma işlemi için kullanın
- Verilen kulakları yalnız bu araçla kullanın
- Bu alet 16 yaşının altındaki kişiler tarafından kullanılmamalıdır
- **İstedığınız ayar değişikliklerini ve aksesuar değişikliklerini yapmadan önce mutlaka şebeke fişini prizden çekin**
- **Bu aletle asbest içeren malzemeleri işlemeyin** (asbest kanserojen bir madde kabul edilir)

AKSESUARLAR

- SKIL sadece SKIL satıcınızdan temin edeceğiniz uygun aksesuarlar kullanıldığında aletin düzgün çalışmasını garanti eder
- SKIL olmayan aksesuarların montajı/kullanımı için üreticisi tarafından verilen açıklamaları inceleyin
- Bu aletle kullanacağınız aksesuar edilen devir sayısı en azından aletin boşta en yüksek devir sayısı kadar olmalıdır
- M14 x 21 mm'den küçük "kör" diş çukuru olan aksesuarlar kullanmayın
- Hasarlı, şekli bozulmuş veya titreyen aksesuarları kullanmayın

DISARIDA KULLANIM

- Açık havada kullanırken, cihazı maksimum 30 mA tetikleyici akımı olan bir hatalı akım (FI) devre kesicisine bağlayın ve yalnızca açık havada kullanıma uygun ve su geçirmez ara prize olan bir uzatma kablosu kullanın

KULLANMADAN ÖNCE

- Güç geriliminin, aletin özellik plakasında belirtilen voltaj değeriyle aynı olduğunu sık sık kontrol edin (230V veya 240V aletler 220V kaynağa bağlanabilir)
- Daima yardımcı tutamağı A ③ veya B ③ takın; bunlardan bir olmadan asla aleti kullanmayın
- Kurşun içeren boya, bazı ahşap türleri, mineral ve metal gibi malzemelerden çıkan toz zararlı olabilir (tozla temasta bulunulması veya solunması operatörde veya yakında bulunan kişilerde alerjik reaksiyonlara ve/veya solunum yolu hastalıklarına neden olabilir); **toz maskesi takın ve toz ekstraksiyon cihazıyla çalışın (bağlanabiliyorsa)**
- Bazı toz tipleri (örneğin meşe ve kayın ağacı tozu), bilhassa ahşap yenileme katki maddeleriyle birlikte, kanserojenik olarak sınıflandırılır; **toz maskesi takın ve toz ekstraksiyon cihazı ile çalışın (bağlanabiliyorsa)**
- Çalışmak istediğiniz malzemelerin, toz ile ilgili ulusal taleplerini takip edin
- **Çalıştığınız parçayı sabitleyin** (kıskaçlarla ya da mengeneyle sabitlenmiş bir iş parçası elle tutulan işten daha güvenlidir)
- Aleti mengeneyle sıkıştırmayın
- Tamamen kusursuz ve güvenli 16 Amp uzatma kabloları kullanın

KULLANIM SIRASINDA

- Aleti daima iki elinizle sıkıca tutun ve güvenli bir duruş alın
- Kabloyu her zaman aletin hareketli parçalarından uzak tutun; kabloyu arka tarafta araçtan uzakta bulundurun
- Eğer cihazı kullanırken kordon hasar görür yada kesilirse, kordona kesinlikle dokunmayınız ve derhal fişi çekiniz
- Kordon hasarlı iken cihazı kesinlikle kullanmayınız; uzman bir kişi tarafından değiştiriniz

- Elektriksel veya mekaniksel hatalı çalışma durumunda aleti hemen kapatın ve fişi çekin
- Akım kesilmesi sırasında veya fişin yanlışlıkla yerinden çıkması durumunda H ③ şalterin bırakın beklenmeyen bir anda çalışmaya başlamasını engellemek için

KULLANIMDAN SONRA

- Aleti yerleştirmeden önce motoru kapatın ve tüm hareketli parçaların durduğundan emin olun
- Aleti patlattıktan sonra hiçbir zaman yandan güç vererek aksesuarın dönüşünü durdurmayın

KULLANIM

- Yardımcı tutamakların takılması ⑤
 - ! **şebeke fişini çekin**
 - A yardımcı kulpunu aracın soluna veya sağına vidalayın (yapılacak işe bağlı olarak)
 - yardımcı tutamağı B gösterildiği şekilde takın ve her iki vidayı da verilen altıgen anahtarla C sıkın
- Aksesuarların takılması ③
 - ! **şebeke fişini çekin**
 - D milini ve takılan tüm parçaları temizleyin
 - F mil kilitleme düğmesine basarken E VELCRO zımpara tablasını D mile takın
 - ! **F mil kilidini yalnızca D mili hareketsizken itin**
 - yün polisaj ucunu G VELCRO zımpara tablasına E bastırın
 - aksesuarları çıkartmak için tersini yapın
- Aletinizi kullanmadan önce
 - aksesuarların doğru olarak monte edildiğinden ve iyice sıkılmış olduğundan emin olunuz
 - monte edilen aksesuarın serbestçe işleyip işlemediğini el ile döndürerek kontrol ediniz
 - aleti güvenli bir pozisyonda tutup, en az 30 saniye maksimum hızda ve boşta çalıştırarak bir deneme işletimi yapın
 - hissedilir derecede titreşim veya başka bozukluklar olması halinde aleti hemen kapatın ve muhtemel bozuklukların nedenlerini tespit edin
- Açma/kapama
 - bu alet H ③ şalterine basmak ve bu şalteri bırakmak suretiyle açip kapanır
- Elektronik kontrollü yumuşak ilk hareket
Bu sistem, alet açıldıktan sonra sarsıntısız ve geri tepmesiz biçimde en yüksek devir sayısına ulaşılmasını sağlar
- Sürekli kullanım için anahtar kilitleme
 - H şalterine basın
 - J düğmesine başparmağınızla bastırın
 - H şalterine tekrar basıp bırakmak suretiyle şalteri sabit konumdan kurtarın
- Hız kontrolü ⑥
 - ayar düğmesi K ile maksimum hız en en düşük değerden en yüksek değere kadar kademesiz olarak ayarlanabilir (1-MAX)
 - ayar düğmesini K konum 1'de başlatın (düşük hız)
 - gerikirse, alet çalışırken daha yüksek bir hızı seçin
 - ideal çalışma hızı malzemeye bağlı olup, pratik denemelerle belirlenebilir
- Aletin çalıştırılması
 - aleti çalıştırın
 - aleti parlatılacak yüzeye tamamen yerleştirin ve eşit bölümler halinde hareket ettirin

- bir hareket bir önceki hareketin bir buşuk katı kadar üstüne binmeli
- kaplamanın yanmasını önlemek için bir noktada durmayın
- kaplamanın lekelenmesini ya da yanmasını önlemek için aleti dairesel olarak hareket ettirmeyin
- ! **aleti kapatmadan önce iş parçası üzerinden kaldırın**
- ! **aleti kapattıktan sonra, aksesuar bir kaç saniye dana dönmeye devam eder**
- Aletin tutulması ve kullanılması ⑦
 - ! **çalışma esnasında, aleti daima gri renkli bölge(ler)den tutun(uz)**
 - aleti her zaman iki elinizle sıkıca tutun, böylece aletin kontrolü her zaman sizde olacaktır
 - sağlam bir yüzeyde çalışın
 - ! **cihazın hareketsiz kalmasını neden olacak kadar basınç uygulamayın**
 - havalandırma yuvalarını L ③ açık tutun

BAKIM / SERVİS

- Aleti çarpmalardan, darbelerden ve yağlı ortamlardan koruyun
- Aleti ve kablosunu daima temiz tutun (özellikle havalandırma yuvalarını L ③)
 - ! **temizlemeden önce, cihazın fişini prizden çekin**
 - ! **havalandırma yuvalarını sivri uçlu nesnelere sokarak temizlemeyi denemeyin**
- Dikkatli biçimde yürütülen üretim ve test yöntemlerine rağmen aleti arıza yapacak olursa, onarım SKIL elektrikli aletleri için yetkili bir serviste yapılmalıdır
 - aleti ambalajıyla birlikte satın alma belgenizde ekleyerek satıcınıza veya en yakın SKIL servisine ulaştırın (adresler ve aletin servis şemaları www.skilmasters.com adresinde listelenmiştir)

ÇEVRE

- **Elektrikli aletlerini, aksesuarları ve ambalajları evdeki çöp kutusuna atmayınız** (sadece AB ülkeleri için)
 - kullanılmış elektrikli aletleri, elektrik ve elektronik eski cihazlar hakkındaki 2002/96/EC Avrupa yönergelerine göre ve bu yönergeler ulusal hukuk kurallarına göre uyarlanarak, ayrı olarak toplanmalı ve çevre şartlarına uygun bir şekilde tekrar değerlendirmeye gönderilmelidir
 - sembol ⑧ size bunu anımsatmalıdır

UYGUNLUK BEYANI CE

- Tek sorumlu olarak "Teknik veriler" bölümünde tanımlanan ürünün aşağıdaki norm veya normatif belgelere uygunluğunu beyan ederiz: EN 60745, EN 61000, EN 55014 yönetmelik hükümleri uyarınca 2004/108/EG, 2006/42/EG, 2011/65/EU

- **Teknik belgelerin bulunduğu merkez:** SKIL Europe BV (PT-SEU/ENG1), 4825 BD Breda, NL

Marijn van der Hoofden
Operations & Engineering

Olaf Dijkgraaf
Approval Manager

SKIL Europe BV, 4825 BD Breda, NL

19.08.2013

GÜRÜLTÜ/TİTREŞİM

- Ölçülen EN 60745 göre ses basıncı bu makinanın seviyesi 86 dB(A) ve çalışma sırasındaki gürültü 97 dB(A) (standart sapma: 3 dB), ve titreşim 8,5 m/s² (el-kol metodu; tolerans K = 1,5 m/s²)
- Titreşim emisyon seviyesi EN 60745'te sunulan standart teste göre ölçülmüştür; bu seviye, bir aleti bir başkasıyla karşılaştırmak amacıyla ve aletin söz konusu uygulamalarda kullanılması sırasında titreşime maruz kalma derecesinin ön değerlendirmesi olarak kullanılabilir
 - aletin farklı uygulamalar için veya farklı ya da bakımı yetersiz yapılmış aksesuarlarla kullanılması, maruz kalma seviyesini belirgin biçimde **artırabilir**
 - aletin kapalı olduğu veya çalıştığı ancak gerçek anlamda iş yapmadığı zamanlarda, maruz kalma seviyesi belirgin biçimde **azalabilir**
- ! **aletin ve aksesuarlarının bakımını yaparak, ellerinizi sıcak tutarak ve iş modellerinizi düzenleyerek kendinizi titreşimin etkilerinden koruyun**

PL

Maszyny do polerowania 9955

WSTĘP

- Narzędzie jest przeznaczone do szlifowania powierzchni metalowych, plastikowych, powlekanych oraz do szlifowania kamienia, bez użycia wody
- Przeczytać i zachować niniejszą instrukcję obsługi ②

DANE TECHNICZNE ①

ELEMENTY NARZĘDZIA ③

- A Uchwyt dodatkowy
- B Uchwyt dodatkowy (typ D)
- C Klucz sześciokątny
- D Wrzeciono
- E Talerz szlifierski (VELCRO "narzępe")
- F Przycisk blokady wrzeciona
- G Osłona welniana
- H Włącznik/wyłącznik
- J Przycisk blokady przełącznika zasilania
- K Pokrętko do kontrola maksymalnej prędkości obrotowej
- L Szczeliny wentylacyjne

BEZPIECZEŃSTWO

OGÓLNE PRZEPISY BEZPIECZEŃSTWA

UWAGA! Należy przeczytać wszystkie wskazówki i przepisy. Błędy w przestrzeganiu poniższych wskazówek mogą spowodować porażenie prądem, pożar i/lub ciężkie obrażenia ciała. **Należy starannie przechowywać wszystkie przepisy i wskazówki bezpieczeństwa dla dalszego zastosowania.** Użyte w poniższym tekście pojęcie "elektronarzędzie" odnosi się do elektronarzędzi zasilanych energią elektryczną z sieci (z przewodem zasilającym) i do elektronarzędzi zasilanych akumulatorami (bez przewodu zasilającego).

1) BEZPIECZEŃSTWO MIEJSCA PRACY

- a) **Miejsce pracy należy utrzymywać w czystości i dobrze oświetlone.** Nieporządek lub nie oświetlone miejsce pracy mogą doprowadzić do wypadków.
- b) **Nie należy pracować tym narzędziem w otoczeniu zagrożonym wybuchem, w którym znajdują się np. łatwopalne ciecze, gazy lub pyły.** Elektronarzędzia wytwarzają iskry, które mogą podpalić ten pył lub pary.
- c) **Elektronarzędzie trzymać podczas pracy z daleka od dzieci i innych osób.** Przy nieuwadze można stracić kontrolę nad narzędziem.

2) BEZPIECZEŃSTWO ELEKTRYCZNE

- a) **Wtyczka urządzenia musi pasować do gniazda. Nie wolno modyfikować wtyczki w jakikolwiek sposób. Nie należy używać wtyczek adapterowych razem z uziemnionymi narzędziami.** Niezmienione wtyczki i pasujące gniazda zmniejszają ryzyko porażenia prądem.
 - b) **Należy unikać kontaktu z uziemnionymi powierzchniami jak rury, grzejniki, piece i lodówki.** Istnieje zwiększone ryzyko porażenia prądem, gdy Państwa ciało jest uziemnione.
 - c) **Urządzenie należy przechowywać zabezpieczone przed deszczem i wilgocią.** Wniknięcie wody do elektronarzędzia podwyższa ryzyko porażenia prądem.
 - d) **Nigdy nie należy używać kabla do innych czynności. Nigdy nie używać kabla do noszenia urządzenia za kabel, zawieszenia lub do wyciągania wtyczki z gniazda. Kabel należy trzymać z daleka od wysokich temperatur, oleju, ostrych krawędzi lub ruchomych części urządzenia.** Uszkodzone lub poplątane kable zwiększają ryzyko porażenia prądem.
 - e) **W przypadku, kiedy elektronarzędziem pracuje się na świeżym powietrzu należy używać kabla przedłużającego, który dopuszczony jest do używania na zewnątrz.** Użycie dopuszczonego do używania na zewnątrz kabla przedłużającego zmniejsza ryzyko porażenia prądem.
 - f) **Jeżeli nie da się uniknąć zastosowania elektronarzędzia w wilgotnym otoczeniu, należy użyć wyłącznika ochronnego różnicowo-prądowego.** Zastosowanie wyłącznika ochronnego różnicowo-prądowego zmniejsza ryzyko porażenia prądem.
- ### 3) BEZPIECZEŃSTWO OSÓB
- a) **Należy być uważnym, uważać na to co się robi i pracę elektronarzędziem rozpoczynać z rozsądkiem. Nie należy używać urządzenia gdy jest się zmęczonym lub pod wpływem narkotyków, alkoholu**

- lub lekarstw.** Moment nieuwagi przy użyciu urządzenia może doprowadzić do poważnych urażeń ciała.
- b) **Należy nosić osobiste wyposażenie ochronne i zawsze okulary ochronne.** Noszenie osobistego wyposażenia ochronnego jak maska przeciwypyłowa, nie ślizgające się buty robocze, hełm ochronny lub ochrona słuchu, w zależności od rodzaju i zastosowania elektronarzędzia zmniejsza ryzyko obrażeń ciała.
 - c) **Należy unikać niezamierzonego uruchomienia narzędzia. Przed włożeniem wtyczki do gniazdka i/ lub podłączeniem do akumulatora, a także przed podniesieniem lub przeniesieniem elektronarzędzia, należy upewnić się, że elektronarzędzie jest wyłączone.** Trzymanie palca na wyłączniku podczas przenoszenia elektronarzędzia lub podłączenie do prądu włączonego narzędzia, może stać się przyczyną wypadków.
 - d) **Zanim urządzenie zostanie włączone należy usunąć narzędzia nastawcze lub klucze.** Narzędzie lub klucz, które znajdują się w ruchomych częściach urządzenia mogą doprowadzić do obrażeń ciała.
 - e) **Nie należy przeceniać swoich możliwości. Należy dbać o bezpieczną pozycję pracy i zawsze utrzymywać równowagę.** Przez to możliwa jest lepsza kontrola urządzenia w nieprzewidywanych sytuacjach.
 - f) **Należy nosić odpowiednie ubranie. Nie należy nosić luźnego ubrania lub biżuterii. Włosy, ubranie i rękawice należy trzymać z daleka od ruchomych elementów.** Luźne ubranie, biżuteria lub długie włosy mogą zostać pociągnięte przez poruszające się części.
 - g) **W przypadku, kiedy możliwe jest zamontowanie urządzeń odsysających lub podchwytujących należy upewnić się, czy są one właściwie podłączone i prawidłowo użyte.** Użycie urządzenia odsysającego pył może zmniejszyć zagrożenie pyłami.
- 4) UWAGA OBCOWANIE ORAZ UŻYCIE ELEKTRONARZĘDZIA**
- a) **Nie należy przeciążać urządzenia. Do pracy używać należy elektronarzędzia, które jest do tego przewidziane.** Odpowiednim narzędziem pracuje się lepiej i bezpieczniej w podanym zakresie sprawności.
 - b) **Nie należy używać elektronarzędzia, którego włącznik/wyłącznik jest uszkodzony.** Elektronarzędzie, którego nie można włączyć lub wyłączyć jest niebezpieczne i musi zostać naprawione.
 - c) **Przed regulacją urządzenia, wymianą osprzętu lub po zaprzestaniu pracy narzędziem, należy wyciągnąć wtyczkę z gniazda i/lub usunąć akumulator.** Ten środek ostrożności zapobiega niezamierzonemu włączeniu się urządzenia.
 - d) **Nie używane elektronarzędzia należy przechowywać poza zasięgiem dzieci. Nie należy udostępniać narzędzia osobom, które jego nie umieją lub nie przeczytały tych przepisów.** Używane przez niedoświadczone osoby elektronarzędzia są niebezpieczne.
 - e) **Urządzenie należy starannie konserwować. Należy kontrolować, czy ruchome części urządzenia funkcjonują bez zarzutu i nie są zablokowane, czy części nie są pęknięte lub uszkodzone, co mogłoby mieć wpływ na prawidłowe funkcjonowanie urządzenia. Uszkodzone narzędzie należy przed**

- użyciem urządzenia oddać do naprawy.** Wiele wypadków spowodowanych jest przez niewłaściwą konserwację elektronarzędzi.
- f) **Osprzęt tnący należy utrzymywać ostry i czysty.** Starannie pielęgnowany osprzęt tnący z ostrzymi krawędziami tnącymi blokuje się rzadziej i łatwiej się używa.
 - g) **Elektronarzędzia, osprzęt, narzędzia itd. należy używać odpowiednio do tych przepisów. Uwzględnić należy przy tym warunki pracy i czynność do wykonania.** Użycie elektronarzędzi do innych niż przewidziane prace może doprowadzić do niebezpiecznych sytuacji.
- 5) SERWIS**
- a) **Naprawę urządzenia należy zlecić jedynie kwalifikowanemu fachowcowi i przy użyciu oryginalnych części zamiennych.** To gwarantuje, że bezpieczeństwo użytkowania zostanie zachowane.

PRZEPISY DOTYCZĄCE BEZPIECZEŃSTWA PRACY ZE SZLIFIERKĄ

- 1) PRZEPISY BEZPIECZEŃSTWA DOTYCZĄCE WSZYSTKICH ZASTOSOWAŃ**
- a) **Elektronarzędzie należy używać jako maszyny do polerowania. Należy przestrzegać wszystkich wskazówek ostrzegawczych, przepisów, opisów i danych, które otrzymali Państwo wraz z elektronarzędziem.** Jeśli nie będą przestrzegane następujące przepisy, może dojść do porażenia prądem, pożaru i/lub ciężkich obrażeń ciała.
 - b) **Nie powinno być używane do ścierania, piaskowania, czyszczenia szczotką metalową czy cięcia.** Stosowanie elektronarzędzia w operacjach, do których nie jest przeznaczone, może spowodować zagrożenie i obrażenia ciała.
 - c) **Nie wolno pozwolić na to, by przy pokrywie polerskiej znajdowały się luźne części, przede wszystkim sznurki mocujące. Sznurki mocujące należy schować lub skrócić.** Luźne, kręcące się razem sznurki mocujące mogą uchwycić Państwa palce lub zaplątać się w obrabianym przedmiocie.
 - d) **Nie należy używać osprzętu, który nie jest przewidziany i polecany przez producenta specjalnie do tego elektronarzędzia.** To, że można przymocować osprzęt do elektronarzędzia, nie gwarantuje bezpiecznego użycia.
 - e) **Dopuszczalna prędkość obrotowa używanego narzędzia musi być co najmniej tak wysoka jak największa prędkość obrotowa podana na elektronarzędziu.** Osprzęt, który obraca się szybciej niż jest to dopuszczalne, może zostać zniszczony.
 - f) **Średnica zewnętrzna i grubość używanego narzędzia muszą odpowiadać danym wymiarom Państwa elektronarzędzia.** Używanych narzędzi o niewłaściwych wymiarach nie można wystarczająco ostrożnie kontrolować.
 - g) **Narzędzia robocze z wkładką gwintowaną muszą dokładnie pasować na gwint na wrzecionie. W przypadku narzędzi roboczych, mocowanych przy użyciu kołnierza średnica otworu narzędzia roboczego musi być dopasowana do średnicy kołnierza. Narzędzia robocze, które nie mogą być**

- dokładnie osadzone na elektronarzędziu, obracają się nierównomiernie, bardzo mocno wibrują i mogą spowodować utratę kontroli nad elektronarzędziem.
- h) **Nie należy używać żadnych narzędzi, które są uszkodzone. Należy skontrolować przed każdym użyciem używane narzędzia takie jak ściernice pod względem odprysków i pęknięć, talerze szlifierskie pod względem pęknięć, starcia lub silnego zużycia, szczotki druciane pod względem luźnych lub złamanych drutów. W przypadku, gdy elektronarzędzie lub używane narzędzie upadnie, należy skontrolować, czy nie jest uszkodzone, lub użyć narzędzia, które jest nieuszkodzone. Jeśli narzędzie zostało sprawdzone i umocowane, powinni przebywać Państwo i osoby znajdujące się w pobliżu poza obszarem obracającego się narzędzia, a elektronarzędzie należy pozostawić włączone przez minutę na najwyższych obrotach. Uszkodzone narzędzia łamią się w tym czasie próbny.**
- i) **Należy nosić osobiste wyposażenie ochronne 4. W zależności od użycia, należy nosić maskę ochronną pokrywającą całą twarz, ochronę oczu lub okulary ochronne. Gdy jest to stosowne, należy nosić maskę przeciwpylewą, ochronę słuchu, rękawice ochronne lub specjalny fartuch, który utrzymuje z daleka od Państwa małe cząstki ściieranego i obrabianego materiału. Oczy muszą być chronione przed poruszającymi się w powietrzu ciałami obcymi, które powstają przy różnych sposobach użycia. Maski przeciwpylewa i ochronna dróg oddechowych muszą filtrować powstający podczas pracy pył. W przypadku, gdy pozostaje się długo pod wpływem hałasu, można utracić słuch.**
- j) **Należy uważać, by inne osoby znajdowały się w bezpiecznym oddaleniu od Państwa zakresu pracy. Każdy, kto wkroczy w zakres pracy, musi nosić osobiste wyposażenie ochronne. Odłamki obrabianego przedmiotu lub złamanych używanych narzędzi mogą zostać odrzucone i spowodować obrażenia również poza bezpośrednim zakresem pracy.**
- k) **Kabel zasilający należy trzymać z dala od obracającego się narzędzia. Jeśli straci się kontrolę nad narzędziem, kabel zasilający może zostać przecięty lub ujęty i dłoń lub ręka może dostać się w obracające się używane narzędzie.**
- l) **Nigdy nie wolno odkładać elektronarzędzia zanim narzędzie się zupełnie nie zatrzyma. Obracające się narzędzie może wejść w kontakt z powierzchnią, na którą jest odłożone, przez co można stracić kontrolę nad elektronarzędziem.**
- m) **Nie wolno pozostawiać elektronarzędzia włączonego podczas przenoszenia. Ubranie może zostać ujęte przez przypadkowy kontakt z obracającym się narzędziem, i narzędzie może się wwiercić w Państwa ciało.**
- n) **Należy regularnie czyszczyć szczylinę wentylacyjną Państwa elektronarzędzia. Dmuchawa silnika wciąga pył do obudowy, a duże nagromadzenie pyłu metalowego może spowodować zagrożenie elektryczne.**
- o) **Nie należy używać elektronarzędzia w pobliżu materiałów łatwopalnych.** Iskry mogą zapalić te materiały.
- p) **Nie należy używać narzędzi, które wymagają płynnych środków chłodzących.** Użycie wody lub innych płynnych środków chłodzących może doprowadzić do porażenia prądem.
- ## 2) ODRZUT I ODPOWIEDNIE WSKAZÓWKI OSTRZEGAWCZE
- Odrzut to nagła reakcja na zaczepiające się lub zablokowane obracające się narzędzie, takie jak ściernica, talerz szlifierski, szczotka druciana itd. Zaczepienie się lub zablokowanie prowadzi do nagłego zatrzymania się obracającego się narzędzia. Niekontrolowane elektronarzędzie zostanie przez to w miejscu zablokowania przyspieszone w kierunku przeciwnym do kierunku obrotu narzędzia.
 - Gdy, np. ściernica zahaczy lub zablokuje się w obrabianym przedmiocie, krawędź ściernicy, która wgłębia się w obrabiany przedmiot, może zapłatać się i przez to ściernica wyłamać i spowodować odrzut. Ściernica porusza się wzdłuż kierunku osoby obsługującej lub od niej, w zależności od kierunku obrotów ściernicy w miejscu zablokowania. Przy tym ściernice mogą się również złamać.
 - Odrzut jest następstwem niewłaściwego lub błędnego użycia elektronarzędzia. Można go uniknąć przez zachowanie odpowiednich środków ostrożności, takich jak niżej opisane.
- a) **Elektronarzędzie należy mocno trzymać, a ciało i ręce ustawić w pozycji, w której można złagodzić siły odrzutu. Należy zawsze używać uchwytu dodatkowego, jeśli jest, żeby mieć jak największą kontrolę nad siłami odrzutu lub momentem reakcji podczas rozruchu.** Osoba obsługująca urządzenie może opanować siły odrzutu i reakcji poprzez zachowanie odpowiednich środków ostrożności.
- b) **Nigdy nie należy trzymać rąk w pobliżu obracających się używanych narzędzi.** Używane narzędzie może przy odrzucie poruszać się przez Państwa rękę.
- c) **Należy unikać ciała z zasięgu, w który porusza się elektronarzędzie podczas odrzutu.** Odrzut przemieszcza elektronarzędzie w kierunku przeciwnym do ruchu ściernicy w miejscu zablokowania.
- d) **Należy pracować szczególnie ostrożnie w zakresach kątów, ostrych krawędzi itd. Należy zapobiec, by używane narzędzia mogły zostać odrzucone od obrabianego przedmiotu i mogły się zablokować.** Obracające się używane narzędzie skłonne jest w kątach, przy ostrych krawędziach lub gdy zostaje odrzucone do tego by się zahaczyć. To powoduje utratę kontroli nad odrzutem.
- e) **Nie należy używać brzeszczotu łańcuchowego lub zębatego.** Takie narzędzia często powodują odrzut lub utratę kontroli nad elektronarzędziem.
- ## OGÓLNE
- Narzędzia należy używać wyłącznie do szlifowania na sucho
 - Należy stosować wyłącznie konierze dostarczone wraz z narzędziem

- Narzędzie nie powinny używać dzieci poniżej 16 roku życia
- Przed przystąpieniem do wykonywania jakichkolwiek czynności przy narzędziu, w czasie przerw w pracy jak również po jej zakończeniu wyjąć wtyczkę z gniazda sieciowego**
- Nie należy obrabiać materiału zawierającego azbest** (azbest jest rakotwórczy)

AKCESORIA

- SKIL może zagwarantować bezawaryjne działanie narzędzia tylko przy korzystaniu z odpowiedniego wyposażenia dodatkowego, dostępnego u dystrybutorów produktów SKIL
- Montując/używając akcesoriów innych producentów, należy przestrzegać instrukcji określonych przez danego producenta
- Używać tylko akcesoriów, których dopuszczalna prędkość obrotowa jest co najmniej tak wysoka jak największa prędkość obrotowa urządzenia na biegu bez obciążenia
- Nigdy nie należy stosować akcesoriów ze "ślepyimi" gwintowanymi otworami mniejszymi niż M14 x 21 mm
- Nie należy stosować akcesoriów, które są uszkodzone, zniekształcone lub niewłaściwie osadzone

STOSOWANIE NA DWORZE

- Pracując na otwartym powietrzu podłączyć urządzenie za pośrednictwem wyłącznika prądu zakłóceniuowego (FI), wyzwalanego prądem o natężeniu nie przekraczającym 30 mA; używać wyłącznie specjalnego przedłużacza do pracy na otwartym powietrzu wyposażonego w bryzgoszczelne gniazdo sprzęgające

PRZED UŻYCIEM

- Każdorazowo należy sprawdzać, czy napięcie zasilania jest zgodne z napięciem podanym na tabliczce znamionowej urządzenia (narzędzia na napięcie znamionowe 230V lub 240V zasilane można także napięciem 220V)
- Należy zawsze korzystać z uchwytu pomocniczego A ^③ lub B ^③; nie wolno używać tego narzędzia bez tych uchwytów
- Pył pochodzący z takich materiałów, jak farby zawierające ołów, niektóre gatunki drzewa, minerały i metal może być szkodliwy (kontakt z nim lub wdychanie takiego pyłu może powodować reakcje alergiczne i/lub niewydolność oddechową u operatora lub osób towarzyszących); **należy zakładać maskę przeciwpyłową i pracować z urządzeniem odsysającym, jeżeli można je podłączyć**
- Niektóre rodzaje pyłu są zaklasyfikowane jako rakotwórcze (takie, jak pył dębu i buka) szczególnie w połączeniu z dodatkami do kondycjonowania drewna; **należy zakładać maskę przeciwpyłową i pracować z urządzeniem odsysającym pył, jeżeli można je podłączyć**
- Należy stosować się do lokalnych wymogów dotyczących pracy w otoczeniu pyłu powstającego podczas obróbki materiału
- Należy zabezpieczyć miejsce przeznaczone do zszycia** (miejsce przeznaczone do zszycia umieszczone w zaciskach lub imadle jest utrzymywane w miejscu bezpieczniej niż w rękę)
- Nie należy zaciskać narzędzia w imadle

- W przypadku korzystania z kabla przedłużającego należy zwrócić uwagę, aby był maksymalnie nawinięty na bęben oraz był przystosowany do przewodzenia prądu o natężeniu przynajmniej 16 A

PODCZAS UŻYWANIA

- Podczas pracy trzeba mocno trzymać narzędzie obiema rękami i zachowywać bezpieczną odległość
- Kabel zasilający powinien stale znajdować się w bezpiecznej odległości od wirującej części elektronarzędzia; kabel zasilający zawsze prowadzić z tyłu elektronarzędzia
- W przypadku uszkodzenia lub przecięcia przewodu podczas pracy, nie wolno go dotykać, tylko należy natychmiast wyciągnąć z gniazda wtyczkę
- Pod żadnym pozorem nie wolno korzystać z narzędzia z uszkodzonym przewodem; zleć jego wymianę wykwalifikowanej osobie
- W przypadku wadliwego działania mechanicznych lub elektrycznych elementów urządzenia, należy bezzwocznie odłączyć narzędzie i wyjąć wtyczkę
- W przypadku przerwy w zasilaniu na przykład na skutek nieumyślnego wyciągnięcia wtyczki, zwolnić włącznik H ^③ aby uniknąć nieoczekiwane uruchomienia narzędzia

PO UŻYCIU

- Przed odłożeniem narzędzia należy wyłączyć silnik i upewnić się, że wszystkie ruchome elementy zostały całkowicie zatrzymane
- Po wyłączeniu narzędzia nigdy nie należy zatrzymywać wirujących elementów działając na nie z bocznie przyłożoną siłą

UŻYTKOWANIE

- Montowanie uchwytów pomocniczych ^⑤
 - ! wyjąć wtyk z gniazda sieciowego**
 - przykręcić uchwyt pomocniczy A po lewej lub prawej stronie narzędzia (w zależności od pracy, która ma być wykonywana)
 - zamontować uchwyt pomocniczy B zgodnie z ilustracją i przykręcić obydwie śruby (dostarczone w zestawie) kluczem sześciokątnym C
- Montowanie akcesoriów ^③
 - ! wyjąć wtyk z gniazda sieciowego**
 - oczyszczyć wrzeciono D i wszystkie elementy, które mają zostać zamontowane
 - przykręcić talerz szlifierski VELCRO E na wrzeciono D, naciskając przycisk blokady wrzeciona F
 - ! przycisk blokady wrzeciona F należy wcisnąć tylko gdy wrzeciono D jest w spoczynku**
 - docisnąć polerkę wełnianą G na talerz szlifierski VELCRO E
 - aby zdemontować element, należy postępować w odwrotnej kolejności
- Przed przystąpieniem do pracy
 - sprawdzić prawidłowość zamocowania narzędzia roboczego
 - skontrolować bieg tarczy wymuszając ruch ręką
 - uruchomić próbnie elektronarzędzie w biegu luzem w ciągu przynajmniej 30 sekund z maksymalną prędkością obrotową
 - w przypadku stwierdzenia wibracji lub innej nieprawidłowości elektronarzędzie natychmiast wyłączyć i usunąć przyczynę

- Włącznik/wyłącznik
 - elektronarzędzie włączane/wyłączane jest poprzez wciśnięcie/zwolnienie włącznika/wyłącznika H ③
 - Rozruch elektroniczny
 - Zapewnia osiągnięcie maksymalnej prędkości obrotowej bez szarpnięcia podczas rozruchu elektronarzędzia
 - Blokada włącznika dla pracy ciągłej
 - wcisnąć włącznik/wyłącznik H
 - kciukiem wcisnąć przycisk J
 - zwalnianie blokady następuje poprzez ponowne wciśnięcie i zwolnienie włącznika/wyłącznika H
 - Kontrola prędkości ⑥
 - pokrętło K umożliwia dokonanie bezstopniowego wyboru maksymalnej prędkości obrotowej od wartości minimalnych do maksymalnych (1-MAX)
 - uruchomić narzędzie przy pokrętle K ustawionym w położeniu 1 (niska prędkość)
 - w razie potrzeby można wybrać wyższą prędkość podczas pracy narzędzia
 - optymalna prędkość robocza zależy od materiału
 - należy ją ustalić metodą prób i błędów
 - Obsługa narzędzia
 - włączyć narzędzie
 - przyłożyć dokładnie narzędzie do szlifowanej powierzchni i poruszać nim równymi odcinkami
 - każdy kolejny ruch powinien zachodzić na połowę obszaru szlifowanego w poprzednim ruchu
 - nie należy zatrzymywać narzędzia w jednym miejscu, ponieważ może to spowodować spalenie powłoki
 - nie należy poruszać narzędziem po okręgu, ponieważ może to spowodować powstanie plam lub spalenie powłoki
- ! przed wyłączeniem narzędzia należy unieść je ponad obrabiany przedmiot**
- ! po wyłączeniu elektronarzędzia tarcza obraca się jeszcze kilka sekund**
- Utrzymywanie i prowadzenie narzędzia ⑦
 - ! podczas pracy zawsze trzymać narzędzie za uchwyt(y) ograniczone szarym kolorem**
 - zawsze należy mocno trzymać przyrząd obiema rękami, aby prowadzić je w sposób kontrolowany przez cały czas
 - należy zachować bezpieczną postawę
- ! nie należy naciskać na przyrząd z siłą powodującą unieruchomienie narzędzia**
- szczeliny wentylacyjne L ③ powinny być odkryte

KONSERWACJA / SERWIS

- Urządzenie należy chronić przed uderzeniami, wstrząsami i działaniem tłustych substancji
- Zawsze dbać o czystość narzędzia i przewodu zasilającego (a szczególnie otworów wentylacyjnych L ③)
 - ! przed przystąpieniem do czyszczenia należy wyjąć wtyk z gniazda sieciowego**
 - ! nie czyścić elektronarzędzia wkładając ostre przedmioty w szczeliny wentylacyjne**
- Jeśli narzędzie, mimo dokładnej i wszechstronnej kontroli produkcyjnej ulegnie kiedykolwiek awarii, naprawę powinien przeprowadzić autoryzowany serwis elektronarzędzi firmy SKIL

- odesłać **nierozebrany** narzędzie, wraz z dowodem zakupu, do dealera lub do najbliższego punktu usługowego SKIL (adresy oraz diagram serwisowy narzędzenia znajdują się na stronach www.skilmasters.com)

ŚRODOWISKO

- **Nie wyrzucaj elektronarzędzi, akcesoriów i opakowania wraz z odpadami z gospodarstwa domowego** (dotyczy tylko państw UE)
 - zgodnie z Europejską Dyrektywą 2002/96/WE w sprawie zużytego sprzętu elektrotechnicznego i elektronicznego oraz dostosowaniem jej do prawa krajowego, zużyte elektronarzędzia należy posegregować i zutylizować w sposób przyjazny dla środowiska
 - w przypadku potrzeby pozbycia się narzędzia, akcesoriów i opakowania - symbol ⑧ przypomni Ci o tym

DEKLARACJA ZGODNOŚCI CE

- Oświadczamy z pełną odpowiedzialnością, że produkt, przedstawiony w "Dane techniczne", odpowiada wymaganiom następujących norm i dokumentów normatywnych: EN 60745, EN 61000, EN 55014, zgodnie z wymaganiami dyrektywy 2004/108/EU, 2006/42/EU, 2011/65/EU
- **Dokumentacja techniczna:** SKIL Europe BV (PT-SEU/ENG1), 4825 BD Breda, NL

Marijn van der Hoofden
Operations & Engineering

Olaf Dijkgraaf
Approval Manager




SKIL Europe BV, 4825 BD Breda, NL

19.08.2013

HAŁASU/WIBRACJE

- Pomiarów dokonano zgodnie z normą EN 60745 ciśnienie akustyczne narzędzia wynosi 86 dB(A) zaś poziom mocy akustycznej 97 dB(A) (poziom odchylenie: 3 dB), zaś wibracje 8,5 m/s² (metoda dłoń-ręka; błąd pomiaru K = 1,5 m/s²)
 - Poziom emisji wibracji został zmierzony zgodnie z testem standaryzowanym podanym w EN 60745; może służyć do porównania jednego narzędzia z innym i jako ocena wstępna narażenia na wibracje w trakcie używania narzędzia do wymienionych zadań
 - używanie narzędzia do innych zadań, lub z innymi albo źle utrzymanymi akcesoriami, może znacząco **zwiększyć** poziom narażenia
 - przypadki, kiedy narzędzie jest wyłączone lub jest czynne, ale aktualnie nie wykonuje zadania, mogą znacząco **zmniejszyć** poziom narażenia
- ! należy chronić się przed skutkami wibracji przez konserwację narzędzia i jego akcesoriów, zakładanie rękawic i właściwą organizację pracy**

Полировальная машина 9955

ВВЕДЕНИЕ

- Данный инструмент предназначен для полирования металлических и пластмассовых поверхностей, поверхностей с покрытием, а также каменных материалов без применения воды
- Прочитайте и сохраните с данной инструкцией ②

ТЕХНИЧЕСКИЕ ДАННЫЕ ①

ДЕТАЛИ ИНСТРУМЕНТА ③

- A Вспомогательная ручка
- B Вспомогательная ручка (тип D)
- C Ключ-шестигранник
- D Шпиндель
- E Опорная колодка (VELCRO)
- F Кнопка блокировки шпинделя
- G Шерстяной полировальный круг
- H Выключатель вкл/выкл
- J Фиксатор выключателя
- K Колесико регулятора максимальной скорости
- L Вентиляционные отверстия

БЕЗОПАСНОСТЬ

ОСНОВНЫЕ ИНСТРУКЦИИ ПО ТЕХНИКЕ БЕЗОПАСНОСТИ

⚠ ВНИМАНИЕ! Прочтите все указания и инструкции по технике безопасности. Упущения, допущенные при соблюдении указаний и инструкций по технике безопасности, могут стать причиной электрического поражения, пожара и тяжелых травм.

Сохраняйте эти инструкции и указания для будущего использования. Используемое в настоящих инструкциях и указаниях понятие “электроинструмент” распространяется на электроинструмент с питанием от сети (с кабелем питания от электросети) и на аккумуляторный электроинструмент (без кабеля питания от электросети).

1) БЕЗОПАСНОСТЬ РАБОЧЕГО МЕСТА

- a) **Соблюдайте чистоту и поддерживайте надлежащую освещенность на рабочем месте.** Беспорядок на рабочем месте или его плохое освещение могут привести к несчастным случаям.
- b) **Не используйте с электроинструментом во взрывоопасной среде, т.е. в непосредственной близости от легковоспламеняющихся жидкостей, газов или пыли.** В процессе работы электроинструмент искрит и искры могут воспламенить газы или пыль.
- c) **При работе с электроинструментом не допускайте детей или посторонних на Ваше рабочее место.** Отвлечение Вашего внимания

может привести к потере контроля над работой инструмента.

2) ЭЛЕКТРИЧЕСКАЯ БЕЗОПАСНОСТЬ

- a) **Штепсельная вилка кабеля питания электроинструмента должна соответствовать розетке электросети. Не вносите никаких изменений в конструкцию вилки. Не используйте адапторы для электроинструмента с защитным заземлением.** Заводские штепсельные вилки и соответствующие им сетевые розетки существенно снижают вероятность электрошока.
 - b) **Избегайте механических контактов с такими заземленными поверхностями, как трубопроводы, системы отопления, плиты и холодильники.** При соприкосновении человека с заземленными предметами во время работы инструментом вероятность электрошока существенно возрастает.
 - c) **Оберегайте электроинструмент от воздействия дождя и влаги.** Попадание воды в электроинструмент повышает вероятность электрического удара.
 - d) **Используйте кабель строго по назначению. Не допускается тянуть и передвигать электроинструмент за кабель или использовать кабель для вытягивания вилки из розетки. Оберегайте кабель инструмента от воздействия высоких температур, масла, острых кромок или движущихся частей электроинструмента.** Поврежденный или спутанный кабель повышает возможность электрического удара.
 - e) **При работе на улице используйте удлинитель, предназначенный для работы вне помещения.** Использование такого удлинителя снижает вероятность электрического удара.
 - f) **Если невозможно избежать применения электроинструмента в сыром помещении, то устанавливайте устройство защиты от утечки в землю.** Использование устройства защиты от утечки в землю снижает риск электрического поражения.
- #### 3) ЛИЧНАЯ БЕЗОПАСНОСТЬ
- a) **Будьте внимательны, следите за тем, что Вы делаете и выполняйте работу обдуманно. Не пользуйтесь электроинструментом, если Вы устали или находитесь под воздействием транквилизаторов, алкоголя или медицинских препаратов.** Секундная потеря концентрации в работе с электроинструментом может привести к серьезным травмам.
 - b) **Используйте средства индивидуальной защиты. Защитные очки обязательны.** Средства индивидуальной защиты, такие как противопылевой респиратор, нескользящая защитная обувь, шлем-каска, средства защиты органов слуха применяются в соответствующих условиях работы обстоятельствах и минимизируют возможность получения травм.
 - c) **Предотвращайте непреднамеренное включение электроинструмента. Перед подключением электроинструмента к электропитанию и/или к аккумулятору убедитесь в выключенном**

- состоянии электроинструмента. Если Вы при транспортировке электроинструмента держите палец на выключателе или включенный электроинструмент подключаете к сети питания, то это может привести к несчастному случаю.
- d) **Во избежание травм перед включением инструмента удалите регулировочный или гаечный ключ из вращающейся части инструмента.**
- e) **Не переоценивайте свои возможности. Твердо стойте на ногах и удерживайте равновесие.** В таком положении вы сможете лучше контролировать инструмент в неожиданных ситуациях.
- f) **Используйте подходящую рабочую одежду. Не надевайте свободную одежду и украшения. Волосы, одежда и перчатки должны находиться подальше от движущихся частей электроинструмента.** Свободная одежда, украшения или длинные волосы легко могут попасть в движущиеся части электроинструмента.
- g) **При наличии пылеотсасывающих и пылесборных приспособлений убедитесь в том, что они подсоединены и используются надлежащим образом.** Применение пылеотсоса может снизить опасности, создаваемые пылью.
- 4) ЭКСПЛУАТАЦИЯ И УХОД ЗА ЭЛЕКТРОИНСТРУМЕНТОМ**
- a) **Не перегружайте инструмент. Используйте тот инструмент, который предназначен для данной работы.** С подходящим инструментом Вы выполните работу лучше и надежней, используя весь диапазон его возможностей.
- b) **Не используйте инструмент с неисправным выключателем.** Инструмент с неисправным выключателем опасен и подлежит ремонту.
- c) **До начала наладки электроинструмента, замены принадлежностей или прекращения работы отключайте штепсельную вилку от розетки сети и/или выньте аккумулятор.** Данная мера предосторожности предотвращает случайное включение инструмента.
- d) **Храните неиспользуемый электроинструмент в недоступном для детей месте и не позволяйте использовать его лицам, не умеющим с ним обращаться или не ознакомленным с инструкцией по эксплуатации.** Электроинструменты представляют собой опасность в руках неопытных пользователей.
- e) **Электроинструмент требует надлежащего ухода. Проверяйте безупречность функций подвижных частей, лёгкость их хода, целостность всех частей и отсутствие повреждений, которые могут негативно сказаться на работе инструмента. При обнаружении повреждений сдайте инструмент в ремонт.** Большое число несчастных случаев связано с неудовлетворительным уходом за электроинструментом.
- f) **Режущие части инструмента необходимо поддерживать в заточенном и чистом состоянии.** При надлежащем уходе за режущими принадлежностями с острыми кромками они режут

заклиниваются и инструмент лучше поддается контролю.

- g) **Используйте электроинструмент, принадлежности, биты и т.д. в соответствии с данными инструкциями, исходя из особенностей условий и характера выполняемой работы.** Использование электроинструмента не по назначению может привести к опасным последствиям.
- 5) СЕРВИСНОЕ ОБСЛУЖИВАНИЕ**
- a) **Передавайте инструмент на сервисное обслуживание только квалифицированному персоналу, использующему только подлинные запасные части.** Это обеспечит сохранение безопасности электроинструмента.

УКАЗАНИЯ ПО ТЕХНИКЕ БЕЗОПАСНОСТИ ДЛЯ ПОЛИРОВАЛЬНЫХ МАШИН

- 1) УКАЗАНИЯ ПО БЕЗОПАСНОСТИ ДЛЯ ВСЕХ РАБОТ**
- a) **Настоящий электроинструмент предназначен для применения в качестве полировальной машины. Учитывайте все предупреждающие указания, инструкции, иллюстрации и данные, которые Вы получите с электроинструментом.** При несоблюдении нижеприведенных указаний возможно поражение электротоком, возникновение пожара и/или получение серьезных травм.
- b) **Не рекомендуется использовать данный электроинструмент для выполнения операций шлифования, зачистки шлифовальной шкуркой, очистки металлической щеткой или отрезания.** Операции, для которых этот электроинструмент не предназначен, могут создать опасность и причинить травму.
- c) **Убирайте незакрепленные части колпака полировального тампона, особенно тесемки крепления. Спрячьте или укоротите тесемки крепления.** Висящие, вращающиеся тесемки крепления могут захватить Ваши пальцы или намотаться на деталь.
- d) **Не применяйте принадлежности, которые не предусмотрены изготовителем специально для настоящего электроинструмента и не рекомендуются им.** Только возможность крепления принадлежностей в Вашем электроинструменте не гарантирует еще его надежного применения.
- e) **Допустимое число оборотов рабочего инструмента должно быть не менее указанного на электроинструменте максимального числа оборотов.** Принадлежности, вращающиеся с большей, чем допустимо скоростью, могут разорваться.
- f) **Наружный диаметр и толщина рабочего инструмента должны соответствовать размерам Вашего электроинструмента.** Неправильно соразмеренные рабочие инструменты не могут быть в достаточной степени защищены или контролироваться.
- g) **Сменные рабочие инструменты с резьбой должны точно подходить к резьбе**

- шлифовального шпинделя. В сменных рабочих инструментах, монтируемых с помощью фланца, диаметр отверстий рабочего инструмента должен подходить к диаметру отверстий во фланце. Сменные рабочие инструменты, которые не точно крепятся на электроинструменте, вращаются неравномерно, очень сильно вибрируют и могут выйти из-под контроля.
- h) **Не применяйте поврежденные рабочие инструменты.** Проверьте каждый раз перед использованием рабочие инструменты, как то, шлифовальные круги на сколы и трещины, шлифовальные тарелки на трещины, риски или сильный износ, проволочные щетки на незакрепленные или поломанные проволочки. После падения электроинструмента или рабочего инструмента проверяйте последний на повреждения и при надобности установите неповрежденный рабочий инструмент. После контроля и закрепления рабочего инструмента, займите сами, и все находящиеся вблизи лица, положение за пределами плоскости вращения рабочего инструмента и включите электроинструмент на одну минуту на максимальное число оборотов. Поврежденные рабочие инструменты разбиваются, в большинстве случаев, за это время контроля.
- i) **Применяйте средства индивидуальной защиты** ④. В зависимости от выполняемой работы применяйте защитный щиток для лица, защитное средство для глаз или защитные очки. Насколько уместно, применяйте противопылевой респиратор, средства защиты органов слуха, защитные перчатки или специальный фартук, которые защищают Вас от абразивных частиц и частиц материала. Глаза должны быть защищены от летающих в воздухе посторонних тел, которые возникают при выполнении различных работ. Противопылевой респиратор или защитная маска органов дыхания должны задерживать возникающую при работе пыль. Продолжительное воздействие сильного шума может привести к потере слуха.
- j) **Следите за тем, чтобы все лица находились на безопасном расстоянии к Вашему рабочему участку.** Каждое лицо в пределах рабочего участка должно иметь средства индивидуальной защиты. Осколки детали или разорванных рабочих инструментов могут отлететь в сторону и стать причиной травм также и за пределами непосредственного рабочего участка.
- k) **Держите шнур подключения питания в стороне от вращающегося рабочего инструмента.** Если Вы потеряете контроль над инструментом, то шнур подключения питания может быть перерезан или захвачен вращающейся частью и Ваша кисть или рука может попасть под вращающийся рабочий инструмент.
- l) **Никогда не выпускайте электроинструмент из рук, пока рабочий инструмент полностью не остановится.** Вращающийся рабочий инструмент может зацепиться за опорную поверхность и Вы можете потерять контроль над электроинструментом.
- m) **Выключайте электроинструмент при транспортировании.** Ваша одежда может быть случайно захвачена вращающимся рабочим инструментом и последний может нанести Вам травму.
- n) **Регулярно очищайте вентиляционные прорези Вашего электроинструмента.** Вентилятор двигателя затягивает пыль в корпус и большое скопление металлической пыли может привести к электрической опасности.
- o) **Не пользуйтесь электроинструментом вблизи горючих материалов.** Искры могут воспламенить эти материалы.
- p) **Не применяйте рабочие инструменты, требующие применение жидких охлаждающих средств.** Применение воды или других жидких охлаждающих средств может привести к поражению электротоком.
- 2) ОБРАТНЫЙ УДАР И СООТВЕТСТВУЮЩИЕ ПРЕДУПРЕЖДАЮЩИЕ УКАЗАНИЯ**
- Обратный удар это внезапная реакция в результате заедания или блокирования вращающегося рабочего инструмента, как то, шлифовального круга, шлифовальной тарелки, проволочной щетки и т. д. Заедание или блокирование ведет к резкому останову рабочего инструмента. При этом неконтролируемый электроинструмент приходит в движение в направлении, противоположном направлению вращения рабочего инструмента в месте блокирования.
 - Например, если шлифовальный круг заест или заблокирует в детали, то кромка шлифовального круга, которая погружается в деталь, может врезаться в деталь, круг будет заторможен и в результате выскочит из детали или возникает обратный удар. При этом шлифовальный круг движется на оператора или от него, в зависимости от направления вращения круга на месте блокирования. При этом шлифовальный круг может разломаться.
 - Обратный удар является следствием неправильного использования электроинструмента или ошибки оператора. Его можно предотвратить подходящими мерами предосторожности, описанными ниже.
- a) **Крепко держите электроинструмент и займите Вашим телом и руками положение, в котором Вы можете противодействовать обратным силам. При наличии, всегда применяйте дополнительную рукоятку, чтобы как можно лучше противодействовать обратным силам или реакционным моментам при наборе оборотов.** Оператор может подходящими мерами предосторожности противодействовать обратным и реакционным силам.
- b) **Ваша рука никогда не должна быть вблизи вращающегося рабочего инструмента.** При обратном ударе рабочий инструмент может пойти по Вашей руке.
- c) **Держитесь в стороне от участка, в котором при обратном ударе будет двигаться**

электроинструмент. Обратный удар ведет электроинструмент в противоположном направлении к движению шлифовального круга в месте блокирования.

- d) **Особенно осторожно работайте на углах, острых кромках и т. д. Предотвращайте отскок рабочего инструмента от детали и его заклинивание.** Вращающийся рабочий инструмент склонен на углах, острых кромках и при отскоке к заклиниванию. Это вызывает потерю контроля или обратный удар.
- e) **Не применяйте цепные пилы или зубчатые пильные полотна.** Такие рабочие инструменты часто становятся причиной обратного удара или потери контроля над электроинструментом.

ОБЩЕЕ

- Используйте данный инструмент только для сухого полирования
- Используйте только фланцы, поставляемые с инструментом
- Инструмент нельзя использовать лицам в возрасте до 16 лет
- Перед регулировкой или сменой принадлежности обязательно выньте вилку из сетевой розетки**
- Не обрабатывайте материалы с содержанием асбеста** (асбест считается канцерогеном)

НАСАДКИ

- SKIL обеспечивает надёжную работу инструмента только при использовании соответствующей оснастки, которую можно приобрести у Вашего дилера фирмы SKIL
- При установке/использовании насадок не от фирмы SKIL, соблюдайте инструкции соответствующего завода-изготовителя
- Использовать только принадлежности, предельно допустимая скорость вращения которых не меньше, чем максимальная скорость вращения прибора на холостом ходу
- Запрещается применение насадок с “глухим” отверстием меньшим, чем M14 x 21 мм
- Не используйте поврежденные, деформированные или вибрирующие принадлежности

ИСПОЛЬЗОВАНИЕ ВНЕ ПОМЕЩЕНИЯ

- При работе вне помещения, подключайте электроинструмент через предохранитель короткого замыкания (FI) с максимальным пусковым током 30 мА и используйте только удлинительный кабель, предназначенный для внешних работ и оборудованный защищенной от брызг розеткой

ПЕРЕД ИСПОЛЬЗОВАНИЕМ

- Обязательно убедитесь, что напряжение питания соответствует напряжению, указанному на фирменном штепеле инструмента (инструменты, рассчитанные на напряжение 230 В или 240 В, можно подключать к питанию 220 В)
- Всегда ставьте вспомогательную рукоятку А ③ или В ③; никогда не используйте инструмент без нее
- Пыль от таких материалов, как свинцовосодержащая краска, некоторые породы дерева, минералы и металл, может быть вредна (контакт с такой пылью или ее вдыхание может стать причиной

возникновения у оператора или находящихся рядом лиц аллергических реакций и/или респираторных заболеваний); **надевайте респиратор и работайте с пылеудаляющим устройством при включении инструмента**

- Некоторые виды пыли классифицируются как канцерогенные (например, дубовая или буковая пыль), особенно в сочетании с добавками для кондиционирования древесины; **надевайте респиратор и работайте с пылеудаляющим устройством при включении инструмента**
 - Следуйте принятым в вашей стране требованиям/нормативам относительно пыли для тех материалов, с которыми вы собираетесь работать
 - Закрепите обрабатываемую деталь** (обрабатываемая деталь, зафиксированная посредством зажимных устройств или тисков, закрепляется лучше, нежели при помощи рук)
 - Не зажимайте инструмент в тисках
 - Используйте полностью размотанные и безопасные удлинители, рассчитанные на ток не менее 16 А
- ## ВО ВРЕМЯ ИСПОЛЬЗОВАНИЯ
- При работе крепко держите инструмент обеими руками и займите устойчивое положение
 - Следите за тем, чтобы сетевой шнур не находился рядом с движущимися деталями инструмента; нужно всегда направлять электрический шнур к задней части инструмента, исключая его захват инструментом
 - При повреждении или разрезании сетевого шнура во время работы не прикасайтесь к нему, и немедленно выньте вилку из розетки
 - Никогда не используйте инструмент, если сетевой шнур повреждён; необходимо, чтобы квалифицированный специалист заменил сетевой шнур
 - В случае любой электрической или механической неисправности немедленно выключите инструмент и выньте вилку из розетки
 - В случае прекращения электроснабжения, либо при случайном выпадении вилки из розетки, освободите выключатель Н ③ для предотвращения неожиданного включения

ПОСЛЕ ИСПОЛЬЗОВАНИЯ

- Перед тем как опустить инструмент, выключите двигатель и убедитесь, что все его движущиеся части полностью остановились
- После выключения инструмента никогда не пытайтесь остановить вращение насадок приложением поперечной силы

ИСПОЛЬЗОВАНИЕ

- Установка вспомогательных рукояток ⑤
 - ! разъедините штепсельный разъём**
 - вкрутите боковую ручку А с левой или с правой стороны инструмента (в зависимости от выполняемой работы)
 - установите вспомогательную рукоятку В, как показано на рисунке, и затяните оба прилагаемых винта ключом-шестигранником С

- Установка насадок ③
 - ! **разъединить штепсельный разъём**
 - очистите шпindel D и все устанавливаемые детали
 - установите опорный круг VELCRO E с помощью винтов на шпindel D при нажатой кнопке блокировки шпинделя F
 - ! **нажимайте кнопку блокировки шпинделя F только после полной остановки шпинделя D**
 - просто прижмите подушку из шерсти G к опорному кругу VELCRO E
 - снятие насадок производится в обратном порядке
- Перед использованием инструмента
 - убедитесь, что режущая насадка правильно установлена и надежно закреплена
 - проверьте плавность вращения режущей насадки, вращая ее рукой
 - опробуйте работу инструмента в течение не менее 30 секунд на максимальной скорости без нагрузки в безопасном положении
 - в случае значительной вибрации или других дефектов немедленно остановите инструмент и проверьте его для определения причины дефекта
- Включение/выключение
 - включение/отключение инструмента производится нажатием/отпуском курка выключателя H ③
- Электронный программируемый старт
 - Обеспечивает плавное достижение максимальной скорости без резких толчков при включении инструмента
- Блокировка выключателя для продолжительного использования
 - нажмите на курок выключателя H
 - нажмите на кнопку J большим пальцем
 - снимите блокировку, нажав снова на курок выключателя H и отпустив его
- Регулятор скорости ⑥
 - маховиком K максимальную скорость вращения можно плавно от низкой до высокой (1-MAX)
 - установив поворотный регулятор K в положении 1 (низкая скорость), запустите
 - если необходимо, выберите более высокую скорость во время работы инструмента
 - оптимальная рабочая скорость зависит от используемого материала и может быть определена на практике
- Использование инструмента
 - включите инструмент
 - приложив инструмент полностью к полируемой поверхности, равномерно перемещайте его участок за участком
 - каждый проход должен перекрывать предыдущий наполовину
 - во избежание прижога покрытия не задерживайтесь в каком-либо месте
 - чтобы избежать пятен или прижога покрытия, не водите инструмент кругами
 - ! **перед тем как выключить инструмент, его следует поднять над обрабатываемым изделием**
 - ! **режущая насадка продолжает вращаться некоторое время после отключения инструмента**

- Удерживание и направление инструмента ⑦
 - ! **во время работы, всегда держите инструмент за места правильного хвата, которые обозначены серым цветом**
 - для обеспечения контроля над инструментом всегда держите его крепко, обеими руками
 - выберите безопасное положение для работы
 - ! **не прилагайте на инструмент чрезмерного усилия, которое может вызвать его заклинивание**
 - содержите вентиляционные отверстия L ③ не закрытыми

ТЕХОБСЛУЖИВАНИЕ / СЕРВИС

- Берегите инструмент от ударов, сотрясений и загрязнения
- Всегда содержите инструмент и его шнур в чистоте (особенно вентиляционные отверстия L ③)
 - ! **перед чисткой инструмента выньте вилку из розетки**
 - ! **не пытайтесь производить чистку путем введения через эти вентиляционные отверстия острых предметов**
- Если инструмент, несмотря на тщательные методы изготовления и испытания, выйдет из строя, то ремонт следует производить силами авторизованной сервисной мастерской для электроинструментов фирмы SKIL
 - отправьте **неразобранный** инструмент со свидетельством покупки Вашему дилеру или в ближайшую станцию обслуживания фирмы SKIL (адреса и схема обслуживания инструмента приведены в вебсайте www.skilmasters.com)

ОХРАНА ОКРУЖАЮЩЕЙ СРЕДЫ

- **Не выкидывайте электроинструмент, принадлежности и упаковку вместе с бытовым мусором** (только для стран ЕС)
 - во исполнение европейской директивы 2002/96/ЕС об утилизации отслужившего свой срок электрического и электронного оборудования и в соответствии с действующим законодательством, утилизация электроинструментов производится отдельно от других отходов на предприятиях, соответствующих условиям экологической безопасности
 - значок ⑧ напомним Вам об этом, когда появится необходимость сдать электроинструмент на утилизацию

ДЕКЛАРАЦИЯ О СООТВЕТСТВИИ СТАНДАРТАМ СЕ

- С полной ответственностью мы заявляем, что описанный в разделе "Технические данные" продукт соответствует нижеследующим стандартам или нормативным документам: EN 60745, EN 61000, EN 55014 согласно положениям директив 2004/108/ЕС, 2006/42/ЕС, 2011/65/ЕС

- **Техническая документация у:** SKIL Europe BV (PT-SEU/ENG1), 4825 BD Breda, NL

Marijn van der Hoofden
Operations & Engineering

Olaf Dijkgraaf
Approval Manager

SKIL Europe BV, 4825 BD Breda, NL

19.08.2013

- Информация о сертификате соответствия расположена на последней странице настоящей Инструкции
- Сертификаты соответствия хранятся по адресу: ООО "Роберт Бош" ул. Акад. Королёва, 13, стр. 5 Россия, 129515, Москва
С января 2014 г. Вашутинское шоссе, влад. 36 Россия, 141446 г.о. Химки
- Дата производства указана на табличке инструмента в формате ММ/ГГГГ (месяц/год)

ШУМНОСТИ/ВИБРАЦИИ

- При измерении в соответствии со стандартом EN 60745 уровень звукового давления для этого инструмента составляет 86 дБ (А) и уровень звуковой мощности - 97 дБ (А) (стандартное отклонение: 3 дБ), и вибрации - 8,5 м/с² (по методу для рук; недостоверность К = 1,5 м/с²)
 - Уровень вибрации был измерен в соответствии со стандартизированным испытанием, содержащимся в EN 60745; данная характеристика может использоваться для сравнения одного инструмента с другим, а также для предварительной оценки воздействия вибрации при использовании данного инструмента для указанных целей
 - при использовании инструмента в других целях или с другими/неисправными вспомогательными приспособлениями уровень воздействия вибрации может значительно **повышаться**
 - в периоды, когда инструмент отключен или функционирует без фактического выполнения работы, уровень воздействия вибрации может значительно **снижаться**
- ! защищайте себя от воздействия вибрации, поддерживая инструмент и его вспомогательные приспособления в исправном состоянии, поддерживая руки в тепле, а также правильно организуя свой рабочий процесс**

UA

Полірувальна машина

9955

ВСТУП

- Даний інструмент призначений для полірування металевих і пластмасових поверхонь, поверхонь з покриттям, а також кам'яних матеріалів без використання води
- Прочитайте і збережіть цю Інструкцію з експлуатації ②

ТЕХНІЧНІ ДАНІ ①

ЕЛЕМЕНТИ ІНСТРУМЕНТА ③

- A** Додаткова ручка
- B** Додаткова ручка (тип D)
- C** Шестигранный ключ
- D** Шпинделя
- E** Опорна накладка (VELCRO)
- F** Кнопка блокування шпинделя
- G** Вовняне полірувальне коло
- H** Вимикач живлення
- J** Ручка блокування вимикача
- K** Маховик для регулювання максимальної швидкості обертання
- L** Вентиляційні отвори

БЕЗПЕКА

ЗАГАЛЬНІ ВКАЗІВКИ З ТЕХНІКИ БЕЗПЕКИ

⚠ УВАГА! Прочитайте всі попередження і вказівки. Недодержання попереджень і вказівок може призводити до удару електричним струмом, пожежі та/або серйозних травм. **Добре зберігайте на майбутнє ці попередження і вказівки.** Під поняттям "електроприлад" в цих попередженнях мається на увазі електроприлад, що працює від мережі (з електрокабелем) або від акумуляторної батареї (без електрокабелю).

1) БЕЗПЕКА НА РОБОЧОМУ МІСЦІ

- Примайте своє робоче місце в чистоті та прибирайте його.** Безлад або погане освітлення на робочому місці можуть призводити до нещасних випадків.
- Не працюйте з приладом у середовищі, де існує небезпека вибуху внаслідок присутності горючих рідин, газів або пилу.** Електроприлади можуть породжувати іскри, від яких може займатися пил або пари.
- Під час працювання з приладом не підпускайте до робочого місця дітей та інших людей.** Ви можете втратити контроль над приладом, якщо Ваша увага буде відвернута.

2) ЕЛЕКТРИЧНА БЕЗПЕКА

- Штепсель приладу повинен пасувати до розетки. Не дозволяється що-небудь міняти в штепселі. Для роботи з приладами, що мають захисне**

- заземлення, не використовуйте адаптери. Використання оригінального штепселя та належної розетки зменшує ризик удару електричним струмом.
- b) **Уникайте контакт частей тіла із заземленими поверхнями, як напр., трубами, батареями опалення, печами та холодильниками.** Коли Ваше тіло заземлене, існує збільшена небезпека удару електричним струмом.
 - c) **Захищайте прилад від дощу та вологи.** Попадання води в електроінструмент збільшує ризик удару електричним струмом.
 - d) **Не використовуйте кабелі для перенесення приладу, підвішування або витягування штепселя з розетки. Захищайте кабель від жару, олії, гострих країв та деталей приладу, що рухаються.** Пошкоджені або закручені кабелі збільшують ризик удару електричним струмом.
 - e) **Для зовнішніх робіт обов'язково використовуйте лише таний подовжувач, що допущений для зовнішніх робіт.** Використання подовжувача, що розрахований на зовнішні роботи, зменшує ризик удару електричним струмом.
 - f) **Якщо не можна запобігти використанню електроприладу у вологому середовищі, використовуйте пристрій захисту від витоків в землю.** Використання зристою захисту від витоків в землю зменшує ризик удару електричним струмом.
- 3) БЕЗПЕКА ЛЮДЕЙ**
- a) **Будьте уважними, слідуйте за тим, що Ви робите, та розсудливо поведіться під час роботи з електроприладом. Не користуйтеся приладом, якщо Ви стомлені або знаходитесь під дією наркотиків, спиртних напоїв або лік.** Мить неуважності при користуванні приладом може призводити до серйозних травм.
 - b) **Вдягайте особисте захисне спорядження та обов'язково вдягайте захисні окуляри.** Вдягання особистого захисного спорядження, як напр., - в залежності від виду робіт - захисної маски, спецзв'язки, що не ковзається, каски або навушників, зменшує ризик травм.
 - c) **Уникайте ненавмисного вмикання. Перш ніж вмикати електроприлад в електромережу або встромляти акумуляторну батарею, брати його в руки або переносити, впевніться в тому, що електроприлад вимкнений.** Тримання пальця на вмикачі під час перенесення електроприладу або встромляння в розетку увімкненого приладу може призводити до травм.
 - d) **Перед тим, як вмикати прилад, приборіть налагоджувальні інструменти та гайковий ключ.** Знаходження налагоджувального інструмента або ключа в деталі, що обертається, може призводити до травм.
 - e) **Не переоцінюйте себе. Зберігайте стійке положення та завжди зберігайте рівновагу.** Це дозволить Вам краще зберігати контроль над приладом у несподіваних ситуаціях.
 - f) **Вдягайте придатний одяг. Не вдягайте просторий одяг та прикраси. Не підставляйте волосся, одяг та рукавиці близько до деталей приладу, що рухаються.** Просторий одяга,

прикраси та довге волосся можуть попадати в деталі, що рухаються.

- g) **Якщо існує можливість монтувати пилоріздсмонтувальні або пилоувловлювальні пристрої, переконайтеся, щоб вони були добре під'єднані та правильно використовувалися.** Використання пилоріздсмонтувального пристрою може зменшити небезпеки, зумовлені пилом.
- 4) ПРАВИЛЬНЕ ПОВОДЖЕННЯ ТА КОРИСТУВАННЯ ЕЛЕКТРОПРИЛАДАМИ**
- a) **Не первантажуйте прилад. Використовуйте такий прилад, що спеціально призначений для певної роботи.** З придатним приладом Ви з меншим ризиком отримаєте кращі результати роботи, якщо будете працювати в зазначеному діапазоні потужності.
 - b) **Не користуйтеся приладом з пошкодженим вимикачем.** Прилад, який не можна увімкнути або вимкнути, є небезпечним і його треба відремонтувати.
 - c) **Перед тим, як регулювати що-небудь на приладі, міняйте приладдя або ховати прилад, витягніть штепсель із розетки та/або витягніть акумуляторну батарею.** Ці попереджувальні заходи з техніки безпеки зменшують ризик ненавмисного запуску приладу.
 - d) **Зберігайте електроприлади, якими Ви саме не користуєтесь, далеко від дітей. Не дозволяйте користуватися електроприладом особам, що не знайомі з його роботою або не читали ці вказівки.** У разі застосування недосвідченими особами прилади несуть в собі небезпеку.
 - e) **Старанно доглядайте за приладом. Перевірте, щоб рухомі деталі приладу бездоганно працювали та не заїдали, не були поламаними або настільки пошкодженими, щоб це могло вплинути на функціонування приладу. Пошкоджені деталі треба відремонтувати в авторизованій майстерні, перш ніж ними можна знову користуватися.** Велика кількість нещасних випадків спричиняється поганим доглядом за електроприладами.
 - f) **Тримайте різальні інструменти добре нагостреними та в чистоті.** Старанно доглянуті різальні інструменти з гострим різальним краєм менше застряють та їх легше вести.
 - g) **Використовуйте електроприлади, приладдя до них, робочі інструменти т.і. відповідно до цих вказівок. Беріть до уваги при цьому умови роботи та специфіку виконуваної роботи.** Використання електроприладів для робіт, для яких вони не передбачені, може призводити до небезпечних ситуацій.
- 5) СЕРВІС**
- a) **Відавайте свій прилад на ремонт лише кваліфікованим фахівцям та лише з використанням оригінальних запчастин.** Це забезпечить безпечність приладу на довгий час.

ВКАЗІВНИ З ТЕХНІКИ БЕЗПЕКИ ДЛЯ ПОЛІРУВАЛЬНИХ МАШИН

1) ПРАВИЛА ТЕХНІКИ БЕЗПЕКИ ДЛЯ ВСІХ ВИДІВ РОБІТ

- a) Цей електроприлад може використовуватися в якості полірувальної машини. Зважайте на всі попередження, вказівки, зображення приладу і його технічні дані, що Ви їх отримали разом з електроприладом. Недодержання нижчеподаних вказівок може призводити до удару електричним струмом, пожежі і/або важких тілесних ушкоджень.
- b) **Не рекомендується застосовувати даний електроінструмент для виконання операцій шліфування, зачищення шліфувальною шліркою, очищення металевою щіткою або відрізання.** Операції, для яких цей інструмент не призначений, можуть наражати на небезпеку і спричинити травму.
- c) **Не допускайте розхитання частин полірувального кожуха, зокрема, послаблення кріпильних шнурів.** Складіть або укоротіть кріпильні шнури. Слабкі кріпильні шнури, що обертаються разом з приладом, можуть зачепити Вам пальці або застрягти в оброблюваному матеріалі.
- d) **Використовуйте лише приладдя, що передбачене і рекомендоване виготовлювачем спеціально для цього електроприладу.** Сама лише можливість закріплення приладдя на Вашому електроприладі не гарантує його безпечне використання.
- e) **Допустима кількість обертів робочого інструмента повинна як мінімум відповідати максимальній кількості обертів, що зазначена на електроприладі.** Приладдя, що обертається швидше ніж допустимо, може бути зіпсоване.
- f) **Зовнішній діаметр і товщина робочого інструмента повинна відповідати параметрам Вашого електроприладу.** При неправильних розмірах робочого інструмента існує небезпека того, що робочий інструмент буде недостатньо прикриватися та Ви можете втратити контроль над ним.
- g) **Вставні робочі інструменти з різьбою повинні точно пасувати до різьби шліфувального шпинделя.** У вставних робочих інструментах, які монтується за допомогою фланця, діаметр отвору вставного робочого інструмента повинен пасувати до прийомного діаметра фланця. Вставні робочі інструменти, що не точно кріпляться на електро-інструменті, обертаються нерівномірно, сильно вібрують і можуть призвести до втрати контролю над ними.
- h) **Не використовуйте пошкоджені робочі інструменти.** Перед кожним використанням перевіряйте робочі інструменти, зокрема: шліфувальні круги на відламки та тріщини, тарілчасті шліфувальні круги на тріщини, знос або сильне притуплення, дротані щітки на розхитані або зламані дроти. Якщо електроприлад або робочий інструмент вдав, перевірте, чи не пошкодився він, або використовуйте непошкоджений робочий

- інструмент. Після перевірки і монтажу робочого інструмента Ви самі і інші особи, що знаходяться поблизу, повинні стати так, щоб не знаходитися в площині робочого інструмента, що обертається, після чого увімкніть електроприлад на одну хвилину на максимальну кількість обертів. Пошкоджені робочі інструменти більшістю ламаються під час такої перевірки.
- i) **Вдягайте особисте захисне спорядження ④.** В залежності від виду робіт використовуйте захисну маску, захист для очей або захисні окуляри. За необхідністю вдягайте респіратор, навушники, захисні рукавиці або спеціальний фартух, щоб захистити себе від невеличких частинок, що утворюються під час шліфування, та частинок матеріалу. Очі повинні бути захищені від відлетілих чужорідних тіл, що утворюються при різних видах робіт. Респіратор або маска повинні відфільтровувати пил, що утворюється під час роботи. При тривалій роботі при гучному шумі можна втратити слух.
 - j) **Слідкуйте за тим, щоб інші особи дотримувалися безпечної відстані від Вашої робочої зони.** Ножень, хто заходить у робочу зону, повинен мати особисте захисне спорядження. Уламки оброблюваного матеріалу або зламаних робочих інструментів можуть відлітати та спричинити тілесні ушкодження навіть за межами безпосередньої робочої зони.
 - k) **Тримайте шнур живлення на відстані від робочого інструмента, що обертається.** При втраті контролю над приладом може перерізатися або захопитися шнур живлення та Ваша рука може потрапити під робочий інструмент, що обертається.
 - l) **Перш, ніж покласти електроприлад, зачекайте, поки робочий інструмент повністю не зупиниться.** Робочий інструмент, що ще обертається, може зачепити поверхню, на яку Ви його кладете, через що Ви можете втратити контроль над електроприладом.
 - m) **Не залишайте електроприлад увімкнутим під час перенесення.** Ваш одяг може випадково потрапити в робочий інструмент, що обертається, та робочий інструмент може пробурати Вас
 - n) **Регулярно прочищайте вентиляційні щілини Вашого електроприладу.** Вентилятор електромотора затягне пил у корпус, сильне накопичення металевого пилю може призвести до електричної небезпеки.
 - o) **Не користуйтеся електроприладом поблизу від горючих матеріалів.** Такі матеріали можуть займатися від іскор.
 - p) **Не використовуйте робочі інструменти, що потребують охолоджувальної рідини.** Використання води або іншої охолоджувальної рідини може призвести до удару електричним струмом.
- ### 2) СІПАННЯ ТА ВІДПОВІДНІ ПОПЕРЕДЖЕННЯ
- Сіпання – це несподівана реакція приладу на зачеплення або застрягання робочого інструмента, що обертається, наприклад, шліфувального круга, тарілчастого шліфувального круга, дротяної щітки

тощо. Зачеплення або застрявання призводить до різкої зупинки робочого інструмента, що обертається. В результаті електроприлад починає неконтрольовано рухатися з прискоренням проти напрямку обертання робочого інструмента в місці застрявання.

- Якщо, наприклад, шліфувальний круг зачепиться або застряне в оброблюваному матеріалі, кромка шліфувального круга, якою той зайшов у оброблюваний матеріал, може застряти і, таким чином, шліфувальний круг може вискочити з оброблюваної поверхні або сіпнутися. В результаті шліфувальний круг починає рухатися в напрямку особи, що обслуговує прилад, або у протилежному напрямку, в залежності від напрямку обертання круга в місці застрявання. При цьому шліфувальний круг може переламатися.
- Сіпання – це результат неправильної експлуатації або помилки при роботі з електроприладом. Йому можна запобігти за допомогою належних запобіжних заходів, що описані нижче.

- a) **Міцно тримайте електрприлад, тримайте своє тіло та руки у положенні, в якому Ви зможете протистояти сіпанню. Завжди використовуйте додаткову рукоятку (за її наявності), щоб бути в стані найкращим чином справитися з сіпанням і реактивними моментами при високій частоті обертання робочого інструмента.** З сіпанням та реактивними моментами можна справитися за умови придатних запобіжних заходів.
- b) **Ніколи не тримайте руку поблизу від робочого інструмента, що обертається.** При сіпанні робочий інструмент може відскочити Вам на руку.
- c) **Уникайте своїм корпусом місць, куди в разі сіпання може відсочити електрприлад.** При сіпанні електрприлад відскакує в напрямку, протилежному руху шліфувального круга в місці застрявання.
- d) **Працюйте з особливою обережністю в кутах, на гострих краях тощо. Запобігайте відскакуванню робочого інструмента від оброблюваного матеріалу та його заклинюванню.** В кутах, на гострих краях або при відскакуванні робочий інструмент може заклинюватися. Це призводить до втрати контролю або сіпання.
- e) **Не використовуйте ланцюгові пиляльні диски та пиляльні диски з зубцями.** Такі робочі інструменти часто спричиняють сіпання або втрату контролю над електроприладом.

ЗАГАЛЬНЕ

- Використовуйте даний інструмент лише для сухого полірування
- Використовуйте тільки ті фланці, що поставляються з інструментом
- Цей інструмент не можна використовувати особам віком до 16 років
- **Перед регулюванням або заміною приладдя обов'язково вийміть вилку із сіткової розетки**
- **Не обробляйте матеріали, що містять асбест** (асбест вважається канцерогенним)

НАСАДНИ

- SKIL гарантує надійну роботу інструмента тільки при використанні відповідного приладдя, які можна отримати у Вашого дилера фірми SKIL
- При установці/використанні насадок не від фірми SKIL, дотримуйтесь інструкцій відповідного заводу-виробника
- Використовуйте лише приладдя, припустима швидкість обертання якого як мінімум відповідає найвищій швидкості інструмента без навантаження
- Заборонено використання насадок з “глухим” отвором меншим, ніж M14 x 21 мм
- Не використовуйте пошкоджене, деформоване або вібручке приладдя

ВИКОРИСТАННЯ ПОЗА ПРИМІЩЕННЯМ

- При роботі на дворі підключайте інструмент через запобіжник короткого замикання (FI) із максимальним пусковим струмом 30 мА та використовуйте подовжувач, призначений для зовнішніх робіт, що обладнаний захистом від бризів

ПЕРЕД ВИКОРИСТАННЯМ

- Перед роботою перевірте відповідність струму в мережі із струмом, позначені на інструменті (інструменти, розраховані на 230В або 240В, також можуть підключатися до мережі 220В)
- Завжди встановлюйте допоміжну рукоятку A ③ або B ③; ніколи не використовуйте інструмент без неї
- Пил від таких матеріалів, як свинцовоутримуюча фарба, деякі породи дерева, мінерали й метал, може бути шкідливим (контакт із таким пилом або його вдихання може стати причиною виникнення в оператора або осіб, що перебувають поруч, алергічних реакцій і/або респіраторних захворювань); **надягайте респіратор і працюйте з пиловидальючим пристроєм під час увімкнення інструмента**
- Деякі види пилу класифікуються як канцерогенні (наприклад, дубовий або буковий пил), особливо в сполученні з добавками для кондиціонування деревини; **надягайте респіратор і працюйте з пиловидальючим пристроєм під час увімкнення інструмента**
- Слідуйте інструкціям по роботі з матеріалами, продуцуючими пил
- **Зафіксуйте оброблювану деталь** (оброблювана деталь, зафіксована за допомогою затискних пристроїв або лещат, закріплюється краще, ніж вручну)
- Не затискайте інструмент у тискач
- Використовуйте повністю розгорнений шнур подовжувача, який може витримувати навантаження в 16 Ампер

ПІД ЧАС ВИКОРИСТАННЯ

- При роботі завжди міцно тримайте інструмент двома руками та займайте надійну позу
- Не дозволяйте шнуру живлення стикатися з рухомими частинами інструменту; завжди викладайте шнур за задньою частиною інструменту
- Якщо шнур пошкоджений або прорізаний при роботі, не доторкайтеся до нього і негайно витягніть його з розетки

- Ніколи не використовуйте інструмент з пошкодженим шнуром; його повинен замінити кваліфікований фахівець
- У разі електричної або механічної несправності, негайно відключіть інструмент і вимкніть з розетки
- У випадку припинення електропостачання, або при випадковому випаданню вилки з розетки, відпустіть вимикач Н ③ для запобігання неочікуваного ввімкнення

ПІСЛЯ ВИКОРИСТАННЯ

- Перед тим як покласти інструмент, вимкніть двигун та переконайтесь, що всі його рухомі частини повністю зупинились
- Після вимкнення інструмента ніколи не намагайтесь зупинити обертання насадок за допомогою прикладання поперечної сили

ВИКОРИСТАННЯ

- Встановлення допоміжних рукояток ⑤
 - ! **вийняти вилку з розетки**
 - пригвинтіть додаткову ручку А справа або зліва інструменту (залежно від роботи, яку треба виконати)
 - встановіть допоміжну рукоятку В, як зображено на малюнку, і затягніть обидва гвинта, що додаються, ключем-шестигранником С
- Установлення насадок ③
 - ! **вийняти вилку з розетки**
 - відчистіть шпindel D та всі деталі, що будуть встановлені
 - встановіть опорну накладку VELCRO E за допомогою гвинтів на шпindel D, натискаючи кнопку блокування шпинделя F
 - ! **натисніть кнопку блокування шпинделя F тільки після повної зупинки шпинделя D**
 - просто притисніть ковпачок з овечої шерсті G до опорної накладки VELCRO E
 - зняття насадок проводиться у зворотному порядку
- Перед використанням інструмента
 - упевніться, що приладдя правильно встановлене і міцно закріплене
 - перевірте чи приладдя вільно обертається при повертанні рукою
 - увімкніть для проби інструмент принаймні на 30 секунд на найвищих оборотах без навантаження, тримаючи його у безпечній позиції
 - негайно вимкніть інструмент у випадку значної вібрації або інших дефектів і перевірте інструмент щоб визначити причину
- Вмикання/вимкання
 - інструмент вмикається/вимикається натисканням/відпусканням гачка Н ③
- Електронний програмований старт
 - Забезпечує плавне досягнення максимальної швидкості без різких поштовхів при включенні інструменту
- Блокування вимикача для тривалої роботи
 - потягнути за гачок Н
 - натиснути на ручку J великим пальцем
 - розблокувати вимикач, знову потягнувши за гачок Н і відпустивши його

- Регулятор швидкості ⑥
 - обертання маховиком К, максимальну швидкість обертання можна плавно відрегулювати від низької до високої (1-MAX)
 - встановивши поворотний регулятор К в положення 1 (низька швидкість), запустіть
 - якщо потрібно, виберіть більш високу швидкість
 - якщо час роботи інструменту
 - оптимальна робоча швидкість залежить від матеріалу і може визначатися шляхом практичних випробувань
- Використання інструменту
 - увімкніть інструмент
 - приклавши інструмент цілком до поверхні, що має поліруватися, рівномірно пересувайте його ділянку за ділянкою
 - кожний прохід має перекривати попередній наполовину
 - не затримуйтесь в будь-якому місці, щоб уникнути припікання покриття
 - не водіть інструмент колами, щоб запобігти появі плям або припіканню покриття
 - ! **перш ніж вимкнути інструмент, його треба відвести від оброблюваного виробу**
 - ! **різуча насадна продовжує обертатись ще декілька секунд після відключення інструменту**
- Утримування і робота інструментом ⑦
 - ! **під час роботи, завжди тримайте інструмент за частини захвату сірого кольору**
 - для забезпечення контролю над інструментом завжди тримайте його міцно, двома руками
 - оберіть безпечне положення для роботи
 - ! **не докладайте на інструмент надмірного зусилля, яке може виклинути його заклинювання**
 - тримайте вентиляційні отвори L ③ незакритими

ДОГЛЯД/ОБСЛУГОВУВАННЯ

- Бережіть інструмент від ударів, струсів і бруду
- Завжди тримайте інструмент та його шнур в чистоті (особливо вентиляційні отвори L ③)
 - ! **перед чистою інструменту необхідно роз'єднати штепсельний роз'єм**
 - ! **не намагайтесь виконувати чистку шляхом уводу через ці вентиляційні отвори гострих предметів**
- Якщо незважаючи на ретельну технологію виготовлення і перевірки інструмент все-таки вийде з ладу, його ремонт дозволяється виконувати лише в авторизованій сервісній майстерні для електрприладів SKIL
 - надшліть **нерозібраний** інструмент разом з доказом купівлі до Вашого дилера або до найближчого центру обслуговування SKIL (адреси, а також діаграма обслуговування пристрою, подаються на сайті www.skilmasters.com)

ΟΧΟΡΟΝΑ ΝΑΒΚΟΛΙШНОЇ СЕРЕДИ

- **Не викидайте електроінструмент, належності та упакування разом зі звичайним сміттям** (тільки для країн ЄС)
 - відповідно до європейської директиви 2002/96/ЄС щодо утилізації старих електричних та електронних приладів, в залежності з місцевим законодавством, електроінструмент, який перебував в експлуатації повинен бути утилізований окремо, безпечним для навколишнього середовища шляхом
 - малюнок ⑧ нагадає вам про це

ДЕΚΛΑΡΑЦІЯ ΠΡΟ ΒΙΔΠΟΒΙΔΝІШΤΪ ΜΕ ΣΤΑΝΔΑΡΤΑΜ ΣΕ

- Ми заявляємо під нашу виключну відповідальність, що описаний в "Технічні дані" продукт відповідає таким нормам або нормативним документам: EN 60745, EN 61000, EN 55014 у відповідності до положень директив 2004/108/EG, 2006/42/EG, 2011/65/EC
- **Τехнічні документи в:** SKIL Europe BV (PT-SEU/ENG1), 4825 BD Breda, NL

Marijn van der Hoofden
Operations & Engineering

Olaf Dijkgraaf
Approval Manager

SKIL Europe BV, 4825 BD Breda, NL

19.08.2013

ШУМ/ΒΙΒΡΑЦІЯ

- Зміряний відповідно до EN 60745 рівень тиску звуку даного інструменту 86 дБ(А) і потужність звуку 97 дБ(А) (стандартне відхилення: 3 дБ), і вібрація 8,5 м/с² (ручна методика; похибка K = 1,5 м/с²)
 - Рівень вібрації було виміряно у відповідності зі стандартизованим випробуванням, що міститься в EN 60745; дана характеристика може використовуватися для порівняння одного інструмента з іншим, а також для попередньої оцінки впливу вібрації під час застосування даного інструмента для вказаних цілей
 - при використанні інструмента в інших цілях або з іншими/несправними допоміжними пристосуваннями рівень впливу вібрації може значно **підвищуватися**
 - у періоду, коли інструмент вимикнений або функціонує без фактичного виконання роботи, рівень впливу вібрації може значно **знижуватися**
- ! захищайте себе від впливу вібрації, підтримуючи інструмент і його допоміжні пристосування в справному стані, підтримуючи руки в теплі, а також правильно організовуючи свій робочий процес**

GR

ΣΤΙΛΒΩΤΙΚΪ ΜΗΧΑΝΪ

9955

ΕΙΣΑΓΩΓΗ

- Αυτό το εργαλείο προορίζεται για στίλβωση μετάλλου, πλαστικού και επιστρωμένων επιφανειών καθώς και για στίλβωση πέτρινων υλικών χωρίς τη χρήση νερού
- Διαβάστε και φυλάξτε αυτές τις οδηγίες χρήσεως ②

ΤΕΧΝΙΚΑ ΧΑΡΑΚΤΗΡΙΣΤΙΚΑ ①

ΜΕΡΗ ΤΟΥ ΕΡΓΑΛΕΙΟΥ ③

- A Βοηθητική λαβή
- B Βοηθητική λαβή (τύπο D)
- C Εξάγωνο κλειδί
- D Άτρακτος
- E Δίσκος συγκράτησης γυαλόχαρτου (VELCRO- αυτοκόλλητο)
- F Κομπι ασφάλισης της άτρακτου
- G Κάλυμμα από καθαρό μαλλί
- H Διακόπτης εκκίνησης/στάσης
- J Κομπι ασφάλισης του διακόπτη Εκκίνησης/Στάσης
- K Τροχήσος ρύθμισης της μέγιστης ταχύτητας
- L Σχισμές αερισμού

ΑΣΦΑΛΕΙΑ

ΓΕΝΙΚΕΣ ΥΠΟΔΕΙΞΕΙΣ ΑΣΦΑΛΕΙΑΣ

ΠΡΟΕΙΔΟΠΟΙΗΣΗ! Διαβάστε όλες τις προειδοποιητικές υποδείξεις. Αμέλειες κατά την τήρηση των προειδοποιητικών υποδείξεων μπορεί να προκαλέσουν ηλεκτροπληξία, κίνδυνο πυρκαγιάς ή/και σοβαρούς τραυματισμούς. **Φυλάξτε όλες τις προειδοποιητικές υποδείξεις και οδηγίες για κάθε μελλοντική χρήση.** Ο ρορισμός "ηλεκτρικό εργαλείο" που χρησιμοποιείται στις προειδοποιητικές υποδείξεις αναφέρεται σε ηλεκτρικά εργαλεία που τροφοδοτούνται από το ηλεκτρικό δίκτυο (με ηλεκτρικό καλώδιο) καθώς και σε ηλεκτρικά εργαλεία που τροφοδοτούνται από μπαταρία (χωρίς ηλεκτρικό καλώδιο).

1) ΑΣΦΑΛΕΙΑ ΣΤΟ ΧΩΡΟ ΕΡΓΑΣΙΑΣ

- a) Διατηρείτε το χώρο που εργάζεσθε καθαρό και καλά φωτισμένο. Αταξία στο χώρο που εργάζεσθε ή μη φωτισμένες περιοχές εργασίας μπορεί να οδηγήσουν σε ατυχήματα.
- b) Μην εργάζεσθε με το ηλεκτρικό εργαλείο σε περιβάλλον που υπάρχει κίνδυνος έκρηξης, στο οποίο υπάρχουν εύφλεκτα υγρά, αέρια ή σκόνη. Τα ηλεκτρικά εργαλεία μπορεί να δημιουργήσουν σπινθηρισμό ο οποίος μπορεί να αναφέξει τη σκόνη ή τις αναθυμώσεις.
- c) Όταν χρησιμοποιείτε το ηλεκτρικό εργαλείο κρατάτε τα παιδιά κι άλλα τυχόν πρόσωπα μακριά από το χώρο που εργάζεσθε. Σε περίπτωση που άλλα άτομα αποσπάσουν την προσοχή σας μπορεί να χάσετε τον έλεγχο του μηχανήματος.

2) ΗΛΕΚΤΡΙΚΗ ΑΣΦΑΛΕΙΑ

- a) Το φως του καλωδίου του ηλεκτρικού εργαλείου πρέπει να ταιριάζει στην αντίστοιχη πρίζα. Δεν επιτρέπεται με κανένα τρόπο η μετασκευή του φως. Μη χρησιμοποιείτε προσωποστικά φως σε συνδυασμό με ηλεκτρικά εργαλεία συνδεδεμένα με τη γη (γειωμένα). Αθικτα φως και κατάλληλες πρίζες μειώνουν τον κίνδυνο ηλεκτροπληξίας.
- b) Αποφεύγετε την επαφή του σώματος σας με γειωμένες επιφάνειες όπως σωλήνες, θερμαντικά σώματα (καλοριφέρ), κουζίνες και ψυγεία. Όταν το σώμα σας είναι γειωμένο αυξάνεται ο κίνδυνος ηλεκτροπληξίας.
- c) Μην εκθέτετε το ηλεκτρικό εργαλείο στη βροχή ή την υγρασία. Η διείσδυση νερού στο ηλεκτρικό εργαλείο αυξάνει τον κίνδυνο ηλεκτροπληξίας.
- d) Μη χρησιμοποιείτε το καλώδιο για να μεταφέρετε ή ν'αυαρτήσετε το ηλεκτρικό εργαλείο ή για να βγάλετε το φως από την πρίζα. Κρατάτε το καλώδιο μακριά από υψηλές θερμοκρασίες, λάδια, κοφτερές ακμές ή κινούμενα εξαρτήματα. Τυχόν χαλασμένα ή μπερδεμένα καλώδια αυξάνουν τον κίνδυνο ηλεκτροπληξίας.
- e) Όταν εργάζεσθε με το ηλεκτρικό εργαλείο στο ύπαιθρο χρησιμοποιείτε πάντοτε καλώδια επιμήκυνσης (μπαλαντάδες) που έχουν εγκριθεί για χρήση σε εξωτερικούς χώρους. Η χρήση καλωδίων επιμήκυνσης εγκριμένων για εργασία σε εξωτερικούς χώρους μειώνει τον κίνδυνο ηλεκτροπληξίας.
- f) Όταν η χρήση του ηλεκτρικού εργαλείου σε υγρό περιβάλλον είναι αναπόφευκτη, τότε χρησιμοποιήστε έναν προστατευτικό διακόπτη διαρροής. Η χρήση ενός προστατευτικού διακόπτη διαρροής ελαττώνει τον κίνδυνο ηλεκτροπληξίας.

3) ΑΣΦΑΛΕΙΑ ΠΡΟΣΩΠΩΝ

- a) Να είσθε πάντοτε προσεκτικός/προσεκτική, να δίνετε προσοχή στην εργασία που κάνετε και να χειρίζεσθε το ηλεκτρικό εργαλείο με περισκεψη. Μην κάνετε χρήση του ηλεκτρικού εργαλείου όταν είσθε κουρασμένος/κουρασμένη ή όταν βρίσκεσθε υπό την επιρροή ναρκωτικών, οιοπνεύματος ή φαρμάκων. Μια στιγμήα απροσεξία κατά το χειρισμό του ηλεκτρικού εργαλείου μπορεί να οδηγήσει σε σοβαρούς τραυματισμούς.
- b) Φοράτε προστατευτικά ενδύματα και πάντοτε προστατευτικά γυαλιά. Όταν φοράτε ενδύματα ασφαλείας, ανάλογα με το υπό χρήση ηλεκτρικό εργαλείο, όπως προσωπίδα προστασίας από σκόνη, αντιβιοθικά παπούτσια ασφαλείας, κράνη ή ωτασπίδες, μειώνεται ο κίνδυνος τραυματισμών.
- c) Αποφεύγετε την αθέλητη εκκίνηση. Βεβαιωθείτε ότι το ηλεκτρικό εργαλείο έχει αποσυνδεδεμένο πριν το συνδέσετε με το ηλεκτρικό δίκτυο ή/και με την μπαταρία καθώς και πριν το παραλάβετε ή το μεταφέρετε. Όταν μεταφέρετε το ηλεκτρικό εργαλείο έχοντας το δάχτυλό σας στο διακόπτη ή όταν συνδέσετε το μηχάνημα με την πηγή ρεύματος όταν αυτό είναι ακόμη συζευγμένο, τότε δημιουργείται κίνδυνος τραυματισμών.
- d) Αφαιρείτε από τα ηλεκτρικά εργαλεία πριν τα θέσετε σε λειτουργία τυχόν συναρμολογημένα

χρησιμοποιήσιμα εργαλεία ή κλειδιά. Ένα εργαλείο ή κλειδί συναρμολογημένο στο περιστρεφόμενο εξάρτημα ενός ηλεκτρικού εργαλείου μπορεί να οδηγήσει σε τραυματισμούς.

- e) Μην υπερεκτιμάτε τον εαυτό σας. Φροντίζετε για την ασφαλή στήριξη του σώματος σας και διατηρείτε πάντοτε την ισορροπία σας. Αυτό σας επιτρέπει τον καλύτερο έλεγχο το ηλεκτρικού εργαλείου σε περιπτώσεις απροσδόκητων καταστάσεων.
 - f) Φοράτε κατάλληλη ενδυμασία εργασίας. Μη φοράτε καρδιά ενδύματα ή κοσμήματα. Κρατάτε τα μαλλιά σας, τα ενδύματα σας και τα γάντια σας μακριά από τα κινούμενα εξαρτήματα. Χαλαρή ενδυμασία, κοσμήματα και μακριά μαλλιά μπορεί να εμπλακούν στα κινούμενα εξαρτήματα.
 - g) Αν υπάρχει η δυνατότητα συναρμολόγησης διατάξεων αναρρόφησης ή συλλογής σκόνης, βεβαιωθείτε αν οι διατάξεις αυτές είναι συνδεδεμένες καθώς κι αν χρησιμοποιούνται σωστά. Η χρήση μιας αναρρόφησης σκόνης μπορεί να ελαττώσει τον κίνδυνο που προκαλείται από τη σκόνη.
- ## 4) ΧΡΗΣΗ ΚΙ ΕΠΙΜΕΛΗΣ ΧΕΙΡΙΣΜΟΣ ΤΩΝ ΗΛΕΚΤΡΙΚΩΝ ΕΡΓΑΛΕΙΩΝ
- a) Μην υπερφορτώνετε το ηλεκτρικό εργαλείο. Χρησιμοποιείτε για την εκάστοτε εργασία σας το ηλεκτρικό εργαλείο που προορίζεται γι' αυτήν. Με το κατάλληλο ηλεκτρικό εργαλείο εργάζεσθε καλύτερα και ασφαλέστερα στην αναφερόμενη περιοχή ισχύος.
 - b) Μη χρησιμοποιήσετε ποτέ ένα ηλεκτρικό εργαλείο του οποίου ο διακόπτης ON/OFF είναι χαλασμένος. Ένα ηλεκτρικό εργαλείο το οποίο δεν μπορεί να τεθεί πλέον σε ή εκτός λειτουργίας είναι επικίνδυνο και πρέπει να επισκευαστεί.
 - c) Βγάzte το φως από την πρίζα και/ή αφαιρέστε την μπαταρία πριν διεξάγετε στο εργαλείο μια οποιαδήποτε εργασία ρύθμισης, πριν αλλάξετε ένα εξάρτημα ή όταν πρόκειται να διαφυλάξετε/να αποθηκεύσετε το εργαλείο. Αυτά τα προληπτικά μέτρα ασφαλείας μειώνουν τον κίνδυνο από τυχόν αθέλητη εκκίνηση του ηλεκτρικού εργαλείου.
 - d) Διαφυλάγετε τα ηλεκτρικά εργαλεία που δε χρησιμοποιείτε μακριά από παιδιά. Μην αφήνετε άτομα που δεν είναι εξοικειωμένα με το ηλεκτρικό εργαλείο ή δεν έχουν διαβάσει αυτές τις οδηγίες χρήσης να το χρησιμοποιήσουν. Τα ηλεκτρικά εργαλεία είναι επικίνδυνα όταν χρησιμοποιούνται από άπειρα πρόσωπα.
 - e) Να περιποιήστε προσεκτικά το ηλεκτρικό σας εργαλείο και να ελέγχετε, αν τα κινούμενα τμήματα του λειτουργούν άψογα και δεν μπλοκάρουν, ή μήπως έχουν χαλάσει ή σπάσει εξαρτήματα, τα οποία επηρεάζουν έτσι αρνητικά τον τρόπο λειτουργίας του ηλεκτρικού εργαλείου. Δώστε τυχόν χαλασμένα εξαρτήματα του ηλεκτρικού εργαλείου για επισκευή πριν το χρησιμοποιήσετε πάλι. Η ανεπαρκής συντήρηση των ηλεκτρικών εργαλείων αποτελεί αιτία πολλών ατυχημάτων.
 - f) Διατηρείτε τα κοπτικά εργαλεία κοφτερά και καθαρά. Τα κοπτικά εργαλεία που συντηρούνται με

προσοχή μπορούν να οδηγηθούν εύκολα και να ελεγχθούν καλύτερα.

- g) **Χρησιμοποιείτε τα ηλεκτρικά εργαλεία, τα εξαρτήματα, τα χρησιμοποιήσιμα εργαλεία κτλ. σύμφωνα με τις παρούσες οδηγίες καθώς. Λαμβάνετε ταυτόχρονα υπόψη σας τις συνθήκες εργασίας και την υπό εκτέλεση εργασία.** Η χρήση του ηλεκτρικού εργαλείου για άλλες εκτός από τις προβλεπόμενες εργασίες μπορεί να δημιουργήσει επικίνδυνες καταστάσεις.

5) SERVICE

- a) **Δίνετε το ηλεκτρικό σας εργαλείο για επισκευή από άριστα ειδικευμένο προσωπικό, μόνο με γνήσια ανταλλακτικά.** Ετσι εξασφαλίζεται η διατήρηση της ασφάλειας του ηλεκτρικού εργαλείου.

ΥΠΟΔΕΙΞΕΙΣ ΑΣΦΑΛΕΙΑΣ ΓΙΑ ΣΤΙΛΒΩΤΙΚΕΣ ΜΗΧΑΝΕΣ

1) ΥΠΟΔΕΙΞΕΙΣ ΑΣΦΑΛΕΙΑΣ ΓΙΑ ΟΛΕΣ ΤΙΣ ΕΡΓΑΣΙΕΣ

- a) Αυτό το ηλεκτρικό εργαλείο πρέπει να χρησιμοποιείται για στίλβωση. Να λαμβάνετε πάντοτε υπόψη σας όλες τις προειδοποιητικές υποδείξεις, τις οδηγίες, τις απεικονίσεις και τα στοιχεία που σας παραδίδονται μαζί με το ηλεκτρικό εργαλείο. Η μη τήρηση των οδηγιών που ακολουθούν, μπορεί να οδηγήσει σε ηλεκτροπληξία, φωτιά και/ή σε σοβαρούς τραυματισμούς.
- b) Αυτό το ηλεκτρικό εργαλείο δεν συστήνεται για λειτουργίες τροχίσματος, λείανσης, βουρτσίσματος σύρματος ή κοπής. Λειτουργίες για τις οποίες το ηλεκτρικό εργαλείο δεν έχει σχεδιαστεί μπορεί να δημιουργήσει κίνδυνο και να προκαλέσει τραυματισμό.
- c) Ο σκούφος στίλβωσης και τα διάφορα εξαρτήματά του, ιδιαίτερα ο σπάγκος πρόσδεσης, δεν επιτρέπεται να είναι χαλαρά. Να σκεπάζετε ή να κοντώνετε το σπάγκο στερέωσης του σκούφου στίλβωσης. Ένας χαλαρός, περιστρεφόμενος σπάγκος μπορεί να μπερδεύει στα δάχτυλά σας ή να εμπλακεί στο υπό καταργασία τεμάχιο.
- d) **Μη χρησιμοποιήσετε ποτέ εξαρτήματα που δεν προβλέπονται και δεν προτάθηκαν από τον κατασκευαστή ειδικά γι' αυτό το ηλεκτρικό εργαλείο.** Η διαπίστωση ότι μπορείτε να στερεώσετε ένα εξάρτημα στο ηλεκτρικό εργαλείο σας δεν εγγυάται την ασφαλή χρήση του.
- e) Ο μέγιστος επιτρεπτός αριθμός στροφών του εργαλείου που χρησιμοποιείτε πρέπει να είναι τουλάχιστον τόσο υψηλός όσο ο μέγιστος αριθμός στροφών που αναφέρεται επάνω στο ηλεκτρικό εργαλείο. Εξαρτήματα που περιστρέφονται με ταχύτητα μεγαλύτερη από την επιτρεπτή μπορεί να καταστραφούν.
- f) **Η εξωτερική διάμετρος και το πάχος του εργαλείου που χρησιμοποιείτε πρέπει να ανταποκρίνονται πλήρως στις αντίστοιχες διαστάσεις του ηλεκτρικού εργαλείου σας.** Εργαλεία με εσφαλμένες διαστάσεις δεν μπορούν να καλυφθούν ή να ελεγχθούν επαρκώς.
- g) **Εργαλεία με βιδωτή υποδοχή πρέπει να ταιριάζουν ακριβώς στο σπείρωμα του άξονα. Στα εργαλεία που συναρμολογούνται με τη βοήθεια φλάντζας πρέπει η διάμετρος της τρύπας του εργαλείου να ταιριάζει στη διάμετρο της υποδοχής της φλάντζας.** Εργαλεία που δεν μπορούν να στερεωθούν ακριβώς στο ηλεκτρικό εργαλείο περιστρέφονται ανομοιόμορφα, δονούνται ισχυρά και μπορεί να οδηγήσουν στην απώλεια του ελέγχου.
- h) **Μη χρησιμοποιείτε χαλασμένα εργαλεία. Να ελέγχετε πάντοτε τα εργαλεία που πρόκειται να χρησιμοποιήσετε, π. χ. τους δίσκους κοπής για σπασίματα και ρωγμές, τους δίσκους λείανσης για ρωγμές, φθορές ή ξεφτίσματα και τις σερματόβουρτσες για χαλαρά ή σπασμένα σύρματα. Σε περίπτωση που το ηλεκτρικό εργαλείο ή κάποιο χρησιμοποιήσιμο εργαλείο πέσει κάτω, τότε ελέγξτε το εργαλείο μήπως έχει υποστεί κάποια βλάβη ή χρησιμοποιήστε ένα άλλο, άψογο εργαλείο. Μετά τον έλεγχο και την τοποθέτηση του εργαλείου που πρόκειται να χρησιμοποιήσετε πρέπει να απομακρύνετε τυχόν παρευρισκόμενα πρόσωπα από το επίπεδο περιστροφής του εργαλείου κι ακολούθως να αφήσετε το ηλεκτρικό εργαλείο να εργαστεί ένα λεπτό υπό το μέγιστο αριθμό στροφών χωρίς φορτίο. Τυχόν χαλασμένα εργαλεία σπάνε ως επί το πλείστον κατά τη διάρκεια αυτού του δοκιμαστικού χρόνου.**
- i) **Χρησιμοποιείτε πάντοτε τη δική σας, ατομική προστατευτική ενδυμασία (4). Να χρησιμοποιείτε επίσης, ανάλογα με την εκάστοτε εργασία, προστατευτικές μάσκες, προστατευτικές διατάξεις ματιών ή προστατευτικά γυαλιά. Αν χρειαστεί, φορέστε και μάσκα προστασίας από τη σκόνη, ωασιπίδες, προστατευτικά γάντια ή μια ειδική προστατευτική ποδιά που θα σας προστατεύει από τυχόν εκσφενδονιζόμενα λειαντικά σωματίδια ή θραύσματα υλικού. Τα μάτια πρέπει να προστατεύονται από τυχόν αιωρούμενα σωματίδια που μπορεί να δημιουργηθούν κατά την εκτέλεση των διάφορων εργασιών. Οι αναπνευστικές και οι προστατευτικές μάσκες πρέπει να φιλτράρουν τον αέρα και να συγκρατούν τη σκόνη που δημιουργείται κατά την εργασία. Σε περίπτωση που εκτεθείτε για πολύ χρόνο σε ισχυρό θόρυβο μπορεί να απολέσετε την ακοή σας.**
- j) **Φροντίζετε, τυχόν παρευρισκόμενα άτομα να βρίσκονται πάντοτε σε ασφαλή απόσταση από τον τομέα που εργάζεσθε. Κάθε άτομο που μπαίνει στον τομέα που εργάζεσθε πρέπει να φορά προστατευτική ενδυμασία.** Θραύσματα του υπό καταργασία τεμαχίου ή σπασμένων εργαλείων μπορεί να εκσφενδονιστούν και να προκαλέσουν τραυματισμούς ακόμη κι εκτός του άμεσου τομέα εργασίας.
- k) **Να οδηγείτε το ηλεκτρικό καλώδιο σε ασφαλή απόσταση από τα περιστρεφόμενα εργαλεία.** Σε περίπτωση που χάσετε τον έλεγχο του ηλεκτρικού εργαλείου το ηλεκτρικό καλώδιο μπορεί να κοπεί ή να περιπλεχτεί και το χέρι σας ή το μπράτσο σας να τραβηχτεί επάνω στο περιστρεφόμενο εργαλείο.
- l) **Μην αποθέσετε ποτέ το ηλεκτρικό εργαλείο πριν το εργαλείο πάψει εντελώς να κινείται. Το περιστρεφόμενο εργαλείο μπορεί να έρθει σε επαφή με την επιφάνεια στην οποία ακουμπήσατε το ηλεκτρικό εργαλείο κι έτσι να χάσετε τον έλεγχο του μηχανήματος.**

m) **Μην αφήσετε το ηλεκτρικό εργαλείο να εργάζεται όταν το μεταφέρετε.** Τα ρούχα σας μπορεί να τυλιχτούν τυχαίως από το περιστρεφόμενο εργαλείο και να τρυπήσει το κορμί σας.

n) **Να καθαρίζετε τακτικά τις σχισμές αερισμού του ηλεκτρικού εργαλείου σας.** Ο ανεμιστήρας του κινητήρα τραβάει σκόνη μέσα στο περίβλημα και η συσσώρευση μεταλλικής σκόνης μπορεί να δημιουργήσει ηλεκτρικούς κινδύνους.

o) **Μην χρησιμοποιείτε το ηλεκτρικό εργαλείο κοντά σε εύφλετα υλικά.** Ο σπινθηρισμός μπορεί να τα αναφλέξει.

p) **Μην χρησιμοποιείτε εργαλεία που απαιτούν ψύξη με ψυκτικά υγρά.** Η χρήση νερού ή άλλων υγρών ψυκτικών μέσων μπορεί να οδηγήσει σε ηλεκτροπληξία.

2) ΚΛΟΤΣΗΜΑ ΚΑΙ ΣΧΕΤΙΚΕΣ ΠΡΟΕΙΔΟΠΟΙΗΤΙΚΕΣ ΥΠΟΔΕΙΞΕΙΣ

- Το κλότσημα είναι μια απροσδόκητη αντίδραση όταν το περιστρεφόμενο εργαλείο, π. χ. ο δίσκος κοπής, ο δίσκος λειανσης, η συρματοβούρτσα κτλ., προσκρούσει κάπου [σκοντάψει] ή μπλοκάρει. Έτσι, ένα τυχόν μη υπό έλεγχο ευρισκόμενο ηλεκτρικό εργαλείο αντιδρά στο σημείο μπλοκαρίσματος/πρόσκρουσης με σφοδρότητα και περιστρέφεται με συνεχώς αυξανόμενη ταχύτητα με φορά αντίθετη εκείνης του εργαλείου.

- Όταν π. χ. ένας δίσκος κοπής σφηνώσει ή μπλοκάρει μέσα στο υπό κατεργασία υλικό, τότε η ακμή του δίσκου που βυθίζεται μέσα στο υλικό μπορεί να στρεβλώσει και ακολούθως ο δίσκος κοπής να βγει με ορμή και ανεξέλεγκτα από το υλικό ή να προκαλέσει κλότσημα. Όταν συμβεί αυτό ο δίσκος κοπής κινείται με κατεύθυνση προς το χειριστή/τη χειρίστρια ή και αντίθετα, ανάλογα με τη φορά περιστροφής στο σημείο μπλοκαρίσματος. Σε τέτοιες περιπτώσεις δεν αποκλείεται και το σπάσιμο των δίσκων κοπής.

- Το κλότσημα είναι το αποτέλεσμα ενός εσφαλμένου ή ελλιπούς χειρισμού του ηλεκτρικού εργαλείου και μπορεί να αποφευχθεί με λήψη κατάλληλων προληπτικών μέτρων, σαν αυτά που περιγράφονται παρακάτω.

a) **Να κρατάτε το ηλεκτρικό εργαλείο πάντοτε καλά και να παίρνετε με το σώμα σας μόνο θέσεις, στις οποίες θα μπορούσατε να αποκρούσετε επιτυχώς ένα ενδεχόμενο κλότσημα. Να χρησιμοποιείτε πάντοτε την πρόσθετη λαβή, αν αυτή φυσικά υπάρχει, για να εξασφαλίσετε έτσι το μέγιστο δυνατό έλεγχο επί του ηλεκτρικού εργαλείου σε περίπτωση εμφάνισης ανάστροφων και αντίρροπων δυνάμεων [π.] κατά την εκκίνηση.** Ο χειριστής/η χειρίστρια μπορεί να αντιμετωπίσει με επιτυχία τα κλοτσήματα και τις ανίστροφες ροπές.

b) **Μη βάζετε ποτέ τα χέρια σας κοντά στα περιστρεφόμενα εργαλεία.** Σε περίπτωση κλοτσήματος το εργαλείο μπορεί να περάσει πάνω από το χέρι σας.

c) **Μην παίρνετε με το σώμα σας θέσεις προς τις οποίες θα κινηθεί το ηλεκτρικό εργαλείο σε περίπτωση κλοτσήματος.** Κατά το κλότσημα το ηλεκτρικό εργαλείο κινείται ανεξέλεγκτα με κατεύθυνση αντίθετη προς τη φορά περιστροφής του λειαντικού εργαλείου.

d) **Να εργάζεστε με ιδιαίτερη προσοχή σε γωνίες, κοφτερές ακμές κτλ.** Φροντίζετε το λειαντικό εργαλείο να μην ανατιναχτεί από το υπό κατεργασία υλικό και να μη σφηνώσει σε αυτό. Το περιστρεφόμενο λειαντικό εργαλείο σφηνώνει εύκολα κατά την εργασία σε γωνίες και κοφτερές ακμές, ή όταν ανατινάζεται. Αυτό προκαλεί κλότσημα ή απώλεια του ελέγχου.

e) **Να μην χρησιμοποιείτε τσαπραζωμένες ή οδοντωτές πριονόλαμες.** Τα εργαλεία αυτά προκαλούν συχνά κλότσημα ή οδηγούν σε απώλεια του ελέγχου του ηλεκτρικού εργαλείου.

ΓΕΝΙΚΑ

- Χρησιμοποιείτε αυτό το εργαλείο μόνο για ξηρό στίλβωμα
- Να χρησιμοποιείτε μόνο τις φλάντζες που παραδίδονται με το εργαλείο
- Αυτό το εργαλείο δεν πρέπει να χρησιμοποιείται από άτομα κάτω των 16 ετών
- **Πάντα να απουσνδέεται την πρίζα από το ηλεκτρικό δίκτυο πριν κάνετε κάποια ρύθμιση ή αλλάξετε εξάρτημα**
- **Μην κατεργάζεστε υλικά που περιέχουν αμιάντο** (το αμιάντο θεωρείται σαν καρκινογόνο υλικό)

ΕΞΑΡΤΗΜΑΤΑ

- Η SKIL εγγυάται την τέλεια λειτουργία του εργαλείου μόνο όταν χρησιμοποιούνται σωστά εξαρτήματα, τα οποία μπορείτε να προμηθευτείτε από το τοπικό κατάστημα διανομής εργαλείων SKIL
- Για τη συναρμολόγηση/χρήση εξαρτημάτων άλλου εργοστασίου, ακολουθήστε τις οδηγίες του σχετικού κατασκευαστή
- Χρησιμοποιείτε μόνο εξαρτήματα των οποίων ο ύψιστος επιτρεπτός αριθμός στροφών είναι τουλάχιστον τόσο υψηλός, όσο ο ύψιστος αριθμός στροφών χωρίς φορτίο του εργαλείου
- Ποτέ μην χρησιμοποιείτε εξαρτήματα με “τυφλή” οπή ή με σπείρωμα, μικρότερη από M14 x 21 χλστ
- Μην χρησιμοποιείτε ελαττωματικά, παραμορφωμένα ή δονομένα εξαρτήματα

ΥΠΑΙΘΡΙΑ ΧΡΗΣΗ

- Όταν χρησιμοποιείτε το εργαλείο στο ύπαιθρο, συνδέστε το χρησιμοποιώντας έναν διακόπτη ασφαλείας με μέγιστο όριο ενεργοποίησης 30 mA, και χρησιμοποιείτε μόνο καλώδιο προέκτασης ειδικό για υπαίθρια χρήση και εξοπλισμένο με αδιάβροχη πρίζα σύνδεσης

ΠΡΙΝ ΑΠΟ ΤΗ ΧΡΗΣΗ

- Βεβαιωθείτε ότι η τάση του παρεχόμενου ρεύματος είναι ίδια με την τάση που υποδεικνύεται στην πινακίδα δεδομένων του εργαλείου (εργαλεία που φέρουν την ένδειξη 230V ή 240V μπορούν να συνδεθούν επίσης σε πρίζα 220V)
- Θα πρέπει πάντοτε να τοποθετείτε την πλευρική λαβή A ③ ή B ③; μη χρησιμοποιείται ποτέ το εργαλείο χωρίς αυτήν
- Η σκόνη από υλικά όπως μογιές που περιέχουν μόλυβδο, ορισμένα είδη ξύλου, ανόργανα στοιχεία και μέταλλα μπορεί να είναι επιβλαβής (η επαφή ή η εισπνοή της σκόνης μπορεί να προκαλέσει αλλεργικές αντιδράσεις ή/και αναπνευστικές ασθένειες στον χειριστή ή σε άτομα που παρίστανται) - **να φοράτε προσωπίδα**

προστασίας από τη σκόνη και να εργάζεστε με συσκευή αφαίρεσης σκόνης όταν είναι δυνατό

- Ορισμένα είδη σκόνης ταξινομούνται ως καρκινογόνα (όπως η σκόνη από τη δρυ ή την οξιά) ιδιαίτερα σε συνδυασμό με πρόσθετα συντήρησης ξύλου - **να φοράτε προσωπίδα προστασίας από τη σκόνη και να εργάζεστε με συσκευή αφαίρεσης σκόνης όταν είναι δυνατό**
- Ακολουθήστε τις σχετικές με σκόνη εθνικές διατάξεις για τα υλικά που θέλετε να εργαστείτε
- **Στερεώστε το κομμάτι εργασίας** (το κομμάτι εργασίας συγκρατείται καλύτερα με σφιγκτήρες ή σε μέγγενη παρά με το χέρι)
- Μην σφίγγετε το εργαλείο σε μέγγενη
- Χρησιμοποιείτε ασφαλείς, τελειώς ζετυλιγμένες προεκτάσεις καλωδίου με χωρητικότητα 16 Amps

ΚΑΤΑ ΤΗ ΧΡΗΣΗ

- Κατά την εργασία να κρατάτε πάντοτε το εργαλείο σφικτά με τα δύο χέρια και φροντίστε να στέκεστε σταθερά
- Να κρατάτε πάντα το καλώδιο μακριά από τα κινούμενα μέρη του εργαλείου σας - κρατάτε το καλώδιο προς τα πίσω, μακριά από το εργαλείο
- Σε περίπτωση που υποστεί βλάβη ή κοπεί το καλώδιο κατά την εργασία, μην αγγίζετε το καλώδιο, αλλά αποσυνδέστε αμέσως το φις από την πρίζα
- Ποτέ μη χρησιμοποιείτε το εργαλείο όταν έχει υποστεί βλάβη το καλώδιο - το καλώδιο θα πρέπει να αντικατασταθεί από έναν εξειδικευμένο τεχνίτη
- Σε περίπτωση ηλεκτρικής ή μηχανικής δυσλειτουργίας, σταματήστε αμέσως το εργαλείο και βγάλτε το από την πρίζα
- Σε περίπτωση που διακοπεί το ρεύμα ή βγει το φις από την πρίζα, αφήστε τον διακόπτη Η ③ για να αποφύγετε την ακούσια επανενεργοποίηση του εργαλείου

ΜΕΤΑ ΤΗ ΧΡΗΣΗ

- Πριν ακουμπήσετε κάτω το εργαλείο, σβήστε το μετ'εξής και βεβαιωθείτε ότι όλα τα κινούμενα μέρη έχουν σταματήσει τελείως
- Μετά το σβήσιμο του εργαλείου, μην σταματάτε την περιστροφή του εξαρτήματος εφαρμόζοντας πλάγια δύναμη σ' αυτό

ΧΡΗΣΗ

- Τοποθέτηση των πλευρικών λαβών ⑤
! βγάλτε το φις από την πρίζα
 - βιδώστε την πλευρική λαβή Α στη δεξιά ή την αριστερή πλευρά του εργαλείου (ανάλογα με την εργασία που έχετε να κάνετε)
 - τοποθετήστε την πλευρική λαβή Β όπως φαίνεται στην εικόνα και σφίξτε και τις δύο βίδες που παρέχονται με το εξάγωνο κλειδί C
- Τοποθέτηση εξαρτημάτων ③
! βγάλτε το φις από την πρίζα
 - καθαρίστε την άτρακτο D και όλα τα εξαρτήματα που πρόκειται να συναρμολογηθούν
 - βιδώστε το δίσκο συγκράτησης από VELCRO E επάνω στον άξονα D πιέζοντας ταυτόχρονα το κουμπί ασφάλισης της άτρακτου F**! πιέστε το κουμπί ασφάλισης της άτρακτου F μόνο όταν είναι σταματημένη η άτρακτος D**

- απλά πιέστε το σκουφάκι G επάνω στο δίσκο συγκράτησης από VELCRO E
- για την αφαίρεση των εξαρτημάτων, εργαστείτε στην αντίστροφη σειρά
- Προτού χρησιμοποιήσετε το εργαλείο
 - βεβαιωθείτε ότι το εξάρτημα έχει τοποθετηθεί σωστά και έχει σφικτεί στη θέση του
 - ελέγξτε ότι το εξάρτημα λειτουργεί ανεμπόδιστα περιστρέφοντάς το με το χέρι
 - δοκιμάστε το εργαλείο τουλάχιστον για 30 δευτερόλεπτα δουλεύοντάς το στη μέγιστη ταχύτητα χωρίς φορτίο, από ασφαλή θέση
 - σταματήστε αμέσως το εργαλείο σε περίπτωση σοβαρής δόνησης ή άλλης ελλατωματικής λειτουργίας και ελέγξτε το για να εξακριβωθεί η αιτία
- Εκκίνηση/Σταση
 - ξεκινάτε/σταματάτε το εργαλείο σας τραβώντας/απελευθερώνοντας την σκανδάλη Η ③
- Ηλεκτρονικός έλεγχος ομαλής εκκίνησης
Εξασφαλίζει ομαλή αύξηση στη μέγιστη ταχύτητα λειτουργίας, χωρίς απότομο "κλώτσημα", όταν μπαίνει σε λειτουργία το εργαλείο
- Ασφάλιση του διακόπτη για συνεχή λειτουργία
 - τραβήξτε τη σκανδάλη Η
 - πιέστε το κουμπί J με τον αντίχειρα
 - απασφαλίζετε το διακόπτη τραβώντας πάλι τη σκανδάλη Η και μετά απελευθερώνοντας την
- Έλεγχος ταχύτητας ⑥
 - με τον τροχίσκο Κ μπορεί να ρυθμιστεί η μέγιστη ταχύτητα από τη χαμηλή στη υψηλή αδιαβαθμια (1-MAX)
 - ξεκινήστε με τον τροχίσκο Κ στη θέση 1 (χαμηλότερη ταχύτητα)
 - εάν χρειαστεί, επιλέξτε μία μεγαλύτερη ταχύτητα ενώ το εργαλείο λειτουργεί
 - η βέλτιστη ταχύτητα εργασίας εξαρτάται από το υλικό και μπορεί να καθοριστεί με δοκιμές στην πράξη
- Χειρισμός του εργαλείου
 - ενεργοποιήστε το εργαλείο
 - τοποθετήστε το εργαλείο εντελώς επάνω στην επιφάνεια για στίλβωση και μετακινήστε το ομοιόμορφα ανά τμήματα
 - μία κίνηση πρέπει να υπερκαλύψει την προηγούμενη κίνηση κατά το ήμισυ
 - μη σταματάτε σε ένα μεμονωμένο σημείο για να αποφύγετε το κάψιμο του επιστρώματος
 - μην μετακινείτε το εργαλείο σε κύκλους για να αποφύγετε τους λεκέδες ή το κάψιμο του επιστρώματος**! προτού σταματήσετε το εργαλείο πρέπει να το ανασηκώσετε από το καταγεγραμμένο κομμάτι**
! το εξάρτημα συνεχίζει να περιστρέφεται για σύντομο χρονικό διάστημα μετά τη διακοπή λειτουργίας του εργαλείου
- Πώς να κρατάτε και να οδηγείτε το εργαλείο ⑦
! ενώ εργάζεστε, να κρατάτε πάντα το εργαλείο από τη/τις λαβή/ές με γκρι χρώμα
 - κρατάτε το εργαλείο σφικτά και σταθερά με τα δυο σας χέρια, ώστε να έχετε τον πλήρη έλεγχο του εργαλείου ανά πάσα στιγμή

- φροντίστε ώστε να στέκεστε σταθερά
- ! **μην ασκείτε τόση μεγάλη δύναμη στο εργαλείο ώστε να σταματήσει να κινείται**
- κρατάτε τις σχισμές αερισμού L ③ ακάλυπτες

ΣΥΝΤΗΡΗΣΗ / ΣΕΡΒΙΣ

- Προστατέψτε το εργαλείο από κραδασμούς, δονήσεις και γρήσα
- Κρατάτε πάντοτε το εργαλείο και το καλώδιο καθαρά (και ιδιαίτερα τις θυρίδες αερισμού L ③)
- ! **αφαιρέστε την πρίζα πριν το καθάρισμα**
- ! **μην επιχειρήσετε καθαρισμό βάζοντας αιχμηρά αντικείμενα μέσα στις σχισμές αερισμού**
- Αν παρ' όλες τις επιμελημένες μεθόδους κατασκευής κι ελέγχου το εργαλείο σταματήσει κάποτε να λειτουργεί, τότε η επισκευή του πρέπει να ανατεθεί σ' ένα εξουσιοδοτημένο συνεργείο για ηλεκτρικά εργαλεία της SKIL
- στείλτε το εργαλείο **χωρίς να το αποσυναρμολογήσετε** μαζί με την απόδειξη αγοράς στο κατάστημα από το οποίο το αγοράσατε ή στον πλησιέστερο σταθμό τεχνικής εξυπηρέτησης της SKIL (θα βρείτε τις διευθύνσεις και το διάγραμμα συντήρησης του εργαλείου στην ιστοσελίδα www.skilmasters.com)

ΠΕΡΙΒΑΛΛΟΝ

- **Μην πετάτε τα ηλεκτρικά εργαλεία, εξαρτημάτα και συσκευασία στον κάδο οικιακών απορριμμάτων** (μόνο για τις χώρες της ΕΕ)
- σύμφωνα με την ευρωπαϊκή οδηγία 2002/96/ΕΚ περί ηλεκτρικών και ηλεκτρονικών συσκευών και την ενσωμάτωσή της στο εθνικό δίκαιο, τα ηλεκτρικά εργαλεία πρέπει να συλλέγονται ξεχωριστά και να επιστρέφονται για ανακύκλωση με τρόπο φιλικό προς το περιβάλλον
- το σύμβολο ③ θα σας το θυμίσει αυτό όταν έλθει η ώρα να πετάξετε τις

ΔΗΛΩΣΗ ΣΥΜΜΟΡΦΩΣΗΣ CE

- Δηλώνουμε υπευθύνως ότι το προϊόν που περιγράφεται στα "Τεχνικά χαρακτηριστικά" εκπληρώνει τους εξής κανονισμούς ή κατασκευαστικές συστάσεις: EN 60745, EN 61000, EN 55014 σύμφωνα με τις διατάξεις των οδηγιών 2004/108/ΕΚ, 2006/42/ΕΚ, 2011/65/ΕΕ
- **Τεχνικός φάκελος από:** SKIL Europe BV (PT-SEU/ENG1), 4825 BD Breda, NL

Marijn van der Hoofden
Operations & Engineering

Olaf Dijkgraaf
Approval Manager

SKIL Europe BV, 4825 BD Breda, NL

19.08.2013

ΘΟΡΥΒΟ/ΚΡΑΔΑΣΜΟΥΣ

- Μετρημένη σύμφωνα με EN 60745 η στάθμη ακουστικής πίεσης αυτού του εργαλείου ανέρχεται σε 86 dB(A) και η στάθμη ηχητικής ισχύος σε 97 dB(A) (κοινή απόκλιση: 3 dB), και ο κραδασμός σε 8,5 m/s² (μεθοδος χειρός/βραχίονα - ανασφάλεια K = 1,5 m/s²)
- Το επίπεδο παραγωγής κραδασμών έχει μετρηθεί σύμφωνα με μια τυποποιημένη δοκιμή που αναφέρεται στο πρότυπο EN 60745 - μπορεί να χρησιμοποιηθεί για τη σύγκριση ενός εργαλείου με ένα άλλο, καθώς και ως προκαταρκτική αξιολόγηση της έκθεσης στους κραδασμούς όταν το εργαλείο χρησιμοποιείται για τις εφαρμογές που αναφέρονται
 - η χρήση του εργαλείου για διαφορετικές εφαρμογές ή με διαφορετικά ή κακοσυντηρημένα εξαρτήματα μπορεί να **αυξήσει** σημαντικά το επίπεδο έκθεσης
 - όταν το εργαλείο είναι απενεργοποιημένο ή δουλεύει αλλά δεν εκτελεί την εργασία, το επίπεδο έκθεσης μπορεί να **μειωθεί** σημαντικά
- ! **προστατευτείτε από τις επιδράσεις των κραδασμών συντηρώντας σωστά το εργαλείο και τα εξαρτήματά του, διατηρώντας τα χέρια σας ζεστά και οργανώνοντας τον τρόπο εργασίας σας**

RO

Maşină de lustruit

9955

INTRODUCERE

- Această sculă este destinată pentru lustruirea metalului, plasticului și suprafețelor vopsite, precum și pentru lustruirea suprafețelor din piatră fără utilizarea apei
- Citiți și păstrați acest manual de instrucțiuni ②

DATE TEHNICE ①

ELEMENTELE SCULEI ③

- A Mână auxiliară
- B Mână auxiliară (tip D)
- C Cheia hexagonală
- D Axul
- E Platu de șlefuit (VELCRO)
- F Buton de blocare a axului
- G Husă de lână
- H Întrerupător pornit/oprit
- J Buton de blocare a întrerupătorului pornit/oprit
- K Rotiță pentru reglajul vitezei maxime
- L Fantele de ventilație

SIGURANȚA

INSTRUCȚIUNI DE SIGURANȚĂ GENERALE

⚠ ATENȚIE! Citiți toate indicațiile de avertizare și instrucțiunile. Nerespectarea indicațiilor de avertizare și a instrucțiunilor poate provoca electrocutare, incendii și/sau răni grave. **Păstrați toate indicațiile de avertizare și instrucțiunile în vederea utilizărilor viitoare.** Termenul de "sculă electrică" folosit în indicațiile de avertizare se

referă la sculele electrice alimentate de la rețea (cu cablu de alimentare) și la sculele electrice cu acumulator (fără cablu de alimentare).

1) SIGURANȚA LA LOCUL DE MUNCĂ

- a) **Păstrați-vă locul de muncă curat și bine iluminat.** Dezordinea la locul de muncă sau existența unor sectoare de lucru neiluminate poate duce la accidente.
- b) **Nu folosiți mașina în medii cu pericol de explozie, acolo unde există lichide, gaze sau pulberi inflamabile.** Sculele electrice pot produce scânteii care să aprindă pulberile sau vaporii.
- c) **Nu permiteți accesul copiilor și al altor persoane în timpul lucrului cu mașina.** Dacă vi se distrage atenția puteți pierde controlul asupra mașinii.

2) SECURITATE ELECTRICĂ

- a) **Ștecherul de racordare a mașinii trebuie să se potrivească cu priza de alimentare. Nu este permisă în nici-un caz modificarea ștecherului. Nu folosiți adaptoare pentru ștechere la mașinile legate la pământ.** Ștecherule nemodificate și prizele de curent adecvate acestora reduc riscul de electrocutare.
- b) **Evitați contactul corporal cu suprafețe legate la pământ ca țevi, radiatoare, plite electrice și frigider.** Există un risc crescut de electrocutare atunci când corpul dv. este și el legat la pământ.
- c) **Nu lăsați mașina afară în ploaie sau în mediu umed.** Riscul de electrocutare crește atunci când într-o sculă electrică pătrunde apă.
- d) **Nu trageți niciodată mașina de cordonul de alimentare pentru a o transporta, a o atârna sau a scoate ștecherul din priza de curent. Feriți cordonul de alimentare de căldură, ulei, muchi ascuțiți sau de subansamble aflate în mișcare.** Un cordon de alimentare deteriorat sau înfășurat mărește riscul de electrocutare.
- e) **Atunci când lucrați cu scula electrică în aer liber, folosiți numai cordoane prelungitoare autorizate pentru exterior.** Întrebuițarea unui cordon prelungitor adecvat utilizării în aer liber reduce riscul de electrocutare.
- f) **Atunci când nu poate fi evitată utilizarea sculei electrice în mediu umed, folosiți un întrerupător de circuit cu împământare.** Folosirea unei întrerupător de circuit cu împământare reduce riscul de electrocutare.

3) SECURITATEA PERSOANELOR

- a) **Fiți vigilenți, fiți atenți la ceea ce faceți și procedați rațional atunci când lucrați cu scula electrică. Nu folosiți mașina dacă sunteți obosiți sau vă aflați sub influența drogurilor, alcoolului sau a medicamentelor.** Un moment de neatenție în timpul lucrului cu mașina poate duce la răni grave.
- b) **Purtați echipament de protecție personală și întotdeauna ochelari de protecție.** Folosirea echipamentelor de protecție a persoanei ca mască de protecție împotriva prafului, încălțăminte antiderapantă, cască de protecție sau aparat de protecție auditivă, în funcție de tipul și domeniul de folosire al sculei electrice, reduce riscul rănilor.
- c) **Evitați o punere în funcțiune involuntară. Înainte de a introduce ștecherul în priză și/sau de a introduce acumulatorul în scula electrică, de a o ridica sau de**

a o transporta, asigurați vă că aceasta este oprită.

Dacă atunci când transportați scula electrică țineți degetul pe întrerupător sau dacă porniți scula electrică înainte de a o racorda la rețeaua de curent, puteți provoca accidente.

- d) **Înainte de a pune mașina în funcțiune scoateți afară cheile reglabile și fixe.** O cheie reglabilă sau fixă, aflată într-o componentă de mașină care se rotește, poate provoca răni.
 - e) **Nu vă supraapreciați. Asigurați-vă o poziție stabilă și păstrați-vă întotdeauna echilibrul.** Astfel veți putea controla mai bine mașina în situații neașteptate.
 - f) **Purtați îmbrăcăminte de lucru adecvată. Nu purtați haine largi sau podoabe. Țineți părul, îmbrăcămintea și mănușile departe de componente aflate în mișcare.** Îmbrăcămintea largă, podoabele și părul lung pot fi prinse de piesele aflate în mișcare.
 - g) **Dacă există posibilitatea montării de echipamente și instalații de aspirare și colectare a prafului, asigurați-vă că acestea sunt conectate și folosite corect.** Folosirea unei instalații de aspirare a prafului poate duce la reducerea poluării cu praf.
- ### 4) MANEVRAȚI ȘI FOLOSIȚI CU GRIJĂ SCULELE ELECTRICE
- a) **Nu suprasolicitați mașina. Folosiți scula electrică destinată executării lucrării dumneavoastră.** Cu scula electrică potrivită lucrați mai bine și mai sigur în domeniul de putere specificat.
 - b) **Nu folosiți scula electrică dacă are întrerupătorul defect.** O sculă electrică, care nu mai poate fi pornită sau oprită este periculoasă și trebuie reparată.
 - c) **Scoateți ștecherul afară din priză și/sau îndepărtați acumulatorul, înainte de a executa reglaje, a schimba accesorii sau de a pune mașina la o parte.** Această măsură preventivă reduce riscul unei porniri involuntare a mașinii.
 - d) **În caz de nefolosire păstrați mașinile la loc inaccesibil copiilor. Nu permiteți persoanelor care nu sunt familiarizate cu mașina sau care n-au citit prezentele instrucțiuni, să folosească mașina.** Sculele electrice sunt periculoase atunci când sunt folosite de persoane fără experiență.
 - e) **Întrețineți-vă cu grijă mașina. Controlați dacă componentele mobile funcționează corect și dacă nu se blochează, dacă nu există piese defecte sau deteriorate, care să afecteze funcționarea mașinii.** Înainte de a repune în funcțiune mașina, duceți-o la un atelier de asistență service pentru repararea sau înlocuirea pieselor deteriorate. Multe accidente s-au datorat întreținerii defectuoase a sculelor electrice.
 - f) **Păstrați accesoriile bine ascuțite și curate.** Accesoriile atent întreținute, cu muchii tăietoare bine ascuțite se blochează mai greu și pot fi conduse mai ușor.
 - g) **Folosiți sculele electrice, accesoriile, dispozitivele de lucru etc. conform prezentelor instrucțiuni. Țineți seama de condițiile de lucru și de lucrarea care trebuie executată.** Întrebuițarea unor scule electrice destinate altor utilizări decât cele preconizate, poate duce la situații periculoase.

5) SERVICE

- a) **Permiteți repararea mașinii dumneavoastră numai de către un specialist calificat și numai cu piese de schimb originale.** În acest mod este garantată menținerea siguranței de exploatare a mașinii.

INSTRUCIUNI DE SIGURANȚĂ PENTRU MAȘINILE DE LUSTRUIT

1) INSTRUCIUNI DE PROTECȚIE PENTRU TOATE TIPURILE DE UTILIZĂRI

- a) **Această sculă electrică se va folosi ca mașină de lustruire.** Respectați toate avertismentele, instrucțiunile, reprezentările și datele primite împreună cu scula electrică. În cazul în care nu veți respecta următoarele instrucțiuni, se poate ajunge la electrocutare, incendii și/sau răniri grave.
- b) **Această mașină electrică nu este recomandată pentru operațiuni de șlefuire, sablare, prelucrare a suprafețelor cu peria de sârmă sau tăiere.** Operațiunile pentru care această mașină electrică nu a fost proiectată pot implica pericole și cauza accidente.
- c) **Nu lăsați să atârne liber porțiuni ale discului de lustruit, în special șnururile de prindere ale acestuia. Îndepărtați sau scurtați șnururile de prindere.** Șnururile de prindere care atarnă liber, rotindu-se împreună cu discul de lustruit vă pot apuca degetele sau se pot agăța în piesa de lucru.
- d) **Nu folosiți accesorii care nu au fost prevăzute și recomandate în mod special de către producător pentru această sculă electrică.** Faptul în sine că accesoriul respectiv poate fi montat pe scula dumneavoastră electrică, nu garantează în nici un caz utilizarea lui sigură.
- e) **Turația admisă a dispozitivului de lucru trebuie să fie cel puțin egală cu turația nominală specificată pe scula electrică.** Un accesoriu care se rotește mai repede decât este admis, se poate distruge.
- f) **Diametrul exterior și grosimea dispozitivului de lucru trebuie să corespundă datelor dimensionale ale sculei dumneavoastră electrice.** Dispozitivele de lucru greșit dimensionate nu pot fi protejate sau controlate în suficientă măsură.
- g) **Accesoriile prevăzute cu inserție filetată trebuie să se potrivească exact pe filetul arborelui de polizat. La accesoriile montate prin flanșe, diametrul găurii accesoriului trebuie să se potrivească cu diametrul de prindere al flanșei.** Accesoriile care nu sunt fixate exact la scula electrică, se rotesc neuniform, vibrează foarte puternic și pot duce la pierderea controlului.
- h) **Nu folosiți dispozitive de lucru deteriorate. Înainte de utilizare controlați dacă dispozitivele de lucru ca discurile de șlefuit nu sunt sparte sau fisurate, dacă discurile abrazive nu sunt fisurate, uzate sau tocite puternic, dacă perile de sârmă nu prezintă fire desprinse sau rupte. Dacă scula electrică sau dispozitivul de lucru cade pe jos, verificați dacă nu cumva s-a deteriorat sau folosiți un dispozitiv de lucru nedeteriorat. După ce ați controlat și montat dispozitivul de lucru, țineți persoanele aflate în preajmă în afara planului de rotație al dispozitivului de lucru, și lăsați scula electrică să**

funcționeze un minut la turația nominală. De cele mai multe ori, dispozitivele de lucru deteriorate se rup în această perioadă de probă.

- i) **Purtați echipament personal de protecție ④. În funcție de utilizare, purtați o protecție completă a feței, protecție pentru ochi sau ochelari de protecție. Dacă este cazul purtați mască de protecție împotriva prafului, protecție auditivă, mănuși de protecție sau șorț special care să vă ferească de micile așchii și particule de material.** Ochii trebuie protejați de corpurile străine aflate în zbor, apărute în cursul diferitelor aplicații. Maska de protecție împotriva prafului sau masca de protecție a respirației trebuie să filtreze praful degajat în timpul utilizării. Dacă sunteți expuși timp îndelungat zgomotului puternic, vă puteți pierde auzul.
- j) **Aveți grijă ca celelalte persoane să păstreze o distanță sigură față de sectorul dumneavoastră de lucru. Oricine pătrunde în sectorul de lucru trebuie să poarte echipament personal de protecție.** Fragmente din piesa de lucru sau dispozitivele de lucru rupte pot zbura necontrolat și provoca răniri chiar în afara sectorului direct de lucru.
- k) **Țineți cablul de alimentare departe de dispozitivele de lucru care se rotesc.** Dacă pierdeți controlul asupra mașinii cablul de alimentare poate fi tăiat sau prins iar mâna sau brațul dumneavoastră poate nimeri sub dispozitivul de lucru care se rotește.
- l) **Nu puneți niciodată jos scula electrică înainte ca dispozitivul de lucru să se fi oprit complet.** Dispozitivul de lucru care se rotește poate ajunge în contact cu suprafața de sprijin, fapt care vă poate face să pierdeți controlul asupra sculei electrice.
- m) **Nu lăsați scula electrică să funcționeze în timp ce o transportați.** În urma unui contact accidental cu dispozitivul de lucru care se rotește, acesta vă poate prinde îmbrăcămintea și chiar pătrunde în corpul dumneavoastră.
- n) **Curățați regulat fantele de aerisire ale sculei dumneavoastră electrice.** Ventilatorul motorului atrage praf în carcasă iar acumularea puternică de pulberi metalice poate provoca pericole electrice.
- o) **Nu folosiți scula electrică în apropierea materialelor inflamabile.** Scânteile pot duce la aprinderea acestor materiale.
- p) **Nu folosiți dispozitive de lucru care necesită agenți de răcire lichizi.** Folosirea apei sau a altor agenți de răcire lichizi poate duce la electrocutare.

2) REcul și AVERTISMENTE CORESPUNZĂTOARE

- Reculul este reacția bruscă apărută la agățarea sau blocarea unui dispozitiv de lucru care se rotește, cum ar fi un disc de șlefuit, un disc abraziv, o perie de sârmă, etc. Agățarea sau blocarea duce la oprirea bruscă a dispozitivului de lucru care se rotește. Aceasta face ca scula electrică necontrolată să fie accelerată în punctul de blocare, în sens contrar direcției de rotație a dispozitivului de lucru.
- Dacă, de exemplu, un disc de șlefuit se agăță sau se blochează în piesa de lucru, marginea discului de șlefuit care penetrează direct piesa de lucru se poate agăța în aceasta și duce astfel la smulgerea discului de șlefuit sau provoca recul. Discul de șlefuit se va deplasa către

operator sau în sens opus acestuia, în funcție de direcția de rotație a discului în punctul de blocare. În această situație discurile de șlefuit se pot chiar rupe.

- Un recul este consecința utilizării greșite sate defectuoase a sculei electrice. El poate fi împiedicat prin măsuri preventive adecvate, precum cele descrise în continuare.
- a) **Țineți bine scula electrică și aduceți-vă corpul și brațele într-o poziție în care să puteți controla forțele de recul. Folosiți întotdeauna un mâner suplimentar, în caz că acesta există, pentru a avea un control maxim asupra forțelor de recul sau a momentelor de reacție la turații înalte.** Operatorul poate stăpâni forțele de recul și de reacție prin măsuri preventive adecvate.
- b) **Nu apropiați niciodată mâna de dispozitivele de lucru în mișcare de rotație.** În caz de recul dispozitivul de lucru se poate deplasa peste mâna dumneavoastră.
- c) **Evitați să staționați cu corpul în zona de mișcare a sculei electrice în caz de recul.** Reculul proiectează scula electrică într-o direcție opusă mișcării discului de șlefuit din punctul de blocare.
- d) **Lucrați extrem de atent în zona colțurilor, muchiilor ascuțite, etc. Evitați ca dispozitivul de lucru să ricoșeze după izbirea de piesa de lucru și să se blocheze.** Dispozitivul de lucru aflat în mișcare de rotație are tendința să se blocheze în colțuri, pe muchii ascuțite sau când ricoșează în urma izbirii. Aceasta duce la pierderea controlului sau la recul.
- e) **Nu folosiți pânze de ferăstrău pentru lemn sau pânze dințate.** Asemenea dispozitive de lucru provoacă frecvent recul sau duc la pierderea controlului asupra sculei electrice.

GENERALITĂȚI

- Folosiți această sculă doar pentru lustruire uscată
- Folosiți doar flansele care sunt livrate cu această sculă
- Această sculă nu trebuie să fie folosit de persoane sub 16 ani
- **Decuplați întotdeauna ștecherul de la sursa de alimentare înainte de a face o reglare sau o schimbare de accesoriu**
- **Nu prelucrați materiale care conțin azbest** (azbestul este considerat a fi cancerigen)

ACCESORII

- SKIL garantează funcționarea perfectă a sculei electrice numai dacă sunt folosite accesoriile corecte, care pot fi obținute de la dealerul dumneavoastră de produse SKIL
- Pentru montarea/utilizarea accesoriilor care nu provin de la firma SKIL respectați instrucțiunile respectivului producător
- Folosiți numai accesoriile a căror turație admisă este cel puțin egală cu turația maximă la mers în gol a aparatului
- Nu folosiți niciodată accesorii cu orificiu filetat orb mai mic decât M14x21mm
- Nu folosiți accesoriile care sunt deteriorate, deformate sau care vibrează

UTILIZARE ÎN AER LIBER

- Când se utilizează în aer liber, conectați dispozitivul prin intermediul unui întrerupător pentru curent de defect (FI) cu un curent de declanșare de maximum 30 mA, și folosiți numai un cordon prelungitor destinat pentru

folosirea în aer liber și care este prevăzut cu o priză de cuplare protejată contra stropirii

ÎNAINTEA UTILIZĂRII

- Verificați întotdeauna dacă tensiunea de alimentare este aceeași cu tensiunea indicată pe plăcuța de identificare a sculei (sculele cu o specificație de 230V și 240V pot fi conectate și la alimentare de 220V)
- Montați întotdeauna mânerul auxiliar A ③ sau B ③; nu utilizați mașina în lipsa acestuia
- Praful rezultat din materiale precum vopselea care conține plumb, unele specii de lemn, minerale și metale poate fi periculos (contactul cu praful sau inhalarea acestuia poate provoca reacții alergice și/sau afecțiuni respiratorii operatorului sau persoanelor care stau în apropiere); **purtați o mască de praf și lucrați cu un dispozitiv de extragere a prafului când poate fi conectat**
- Anumite tipuri de praf sunt clasificate ca fiind cancerigene (cum ar fi praful de stejar și fag) în special în combinație cu aditivi pentru tratarea lemnului; **purtați o mască de praf și lucrați cu un dispozitiv de extragere a prafului când poate fi conectat**
- Respectați reglementările naționale referitoare la aspirația prafului în funcție de materialele de lucru folosite
- **Securizați piesa de lucru** (o piesă de lucru fixată cu clame sau într-o menghină este ținută mult mai în siguranță decât manual)
- Nu fixați sculă în menghină
- Folosiți cabluri de prelungire derulate complet, protejate/izolate, cu o capacitate de 16 amperi

ÎN TIMPUL FUNCȚIONĂRII

- Când lucrați întotdeauna țineți aparatul cu ambele mâini cu fermitate și luați o poziție stabilă
- Feriți întotdeauna cordonul de părțile în mișcare ale sculei; orientați cordonul spre spate, la distanță de sculă
- În cazul în care cordonul este deteriorat sau secționat în timpul lucrului, nu atingeți cordonul, dar deconectați imediat de la priză
- Nu folosiți scula atunci când cordonul sau prezintă defecțiuni; înlocuirea lor se va efectua de o persoană autorizată
- În cazul unor defecțiuni electrice sau mecanice deconectați imediat instrumentul și scoateți șnurul din priză
- În caz de întrerupere a curentului atunci când ștecherul este scos din priză în mod accidental, lăsați liber întrerupătorul H ③ pentru a preveni pornirea necontrolată

DUPĂ UTILIZARE

- Înainte de a așeza sculă, întrerupeți contactul și asigurați-vă că toate părțile în mișcare s-au oprit complet
- După oprirea sculei, nu opriți niciodată rotația accesoriului aplicându-i acestuia o forță laterală

UTILIZAREA

- Montarea mânerelor auxiliare ⑤
- ! **deconectați priză**
- înșurubați mânerul auxiliar A în partea dreaptă sau cea stângă a sculei (în funcție de operația care trebuie realizată)

- montați mânerul auxiliar B în modul indicat în ilustrație și strângeți ambele șuruburi furnizate cu ajutorul cheii hexagonale C
- Montarea accesoriilor ③
 - ! **deconectați priza**
 - curățați fusul D și toate părțile care urmează a fi montate
 - înșurubați platoul de șlefuit VELCRO E pe ax D în timp ce apăsați butonul de blocare a axului F
 - ! **apăsați butonul de blocare a fusului F atunci când axul D este oprit**
 - apăsați pur și simplu calota de lână G pe platoul de șlefuit VELCRO E
 - pentru demontarea accesoriilor acționați în ordinea inversă a operațiilor
- Înainte de a folosi scula
 - asigurați-vă că accesoriul este corect montat și bine strâns
 - verificați dacă accesoriul se învârteste liber, rotindu-l cu mâna
 - testați sculă în funcționare cel puțin 30 de secunde la cea mai mare turatie de mers în gol într-o poziție sigură
 - opriți imediat în cazul unor vibrații considerabile sau al altor defecte și verificați sculă pentru a stabili cauza
- Pornit/oprit
 - porniți/opriți instrumentul prin tragerea/decuplarea declansatorului H ③
- Pornire electronică progresivă
 - Asigură creșterea progresivă a vitezei până la viteza maximă, fără șoc inițial la pornirea sculei
- Întrerupător-blocare pentru uz continuu
 - trageți declansatorul H
 - apăsați cu degetul gros butonul J
 - deblocați întrerupătorul prin tragerea din nou a declansatorului H, urmată de decuplarea acestuia
- Control de viteză ⑥
 - potențiometrul rotativ K asigură reglajul al vitezei maxime de la mică la mare (1-MAX)
 - începeți cu roțița K în poziția 1 (viteză redusă)
 - dacă este necesar, selectați o viteză superioară în timpul funcționării mașinii
 - viteza de lucru optimă depinde de material și poate fi stabilită prin teste practice
- Utilizarea sculei
 - porniți scula
 - poziționați complet mașina pe suprafața de prelucrat și deplasați-o uniform, în etape
 - fiecare mișcare trebuie să acopere jumătate din suprafața acoperită de mișcarea anterioară
 - nu vă opriți într-un anumit punct pentru a evita arderea stratului de vopsea
 - nu deplasați mașina în cercuri pentru a evita pătarea sau arderea stratului de vopsea
 - ! **înainte de oprirea scula, trebuie să o ridicați de pe piesa de prelucrat**
 - ! **accesoriul continuă să se rotească pentru o scurtă perioadă de timp după ce sculă a fost deconectată**

- Mănuirea și dirijarea sculei ⑦
 - ! **în timp ce lucrați, țineți întotdeauna scula de zonă (zonele) de prindere colorate gri**
 - țineți întotdeauna cu putere sculă cu ambele mâini, așa încât să o puteți controla în orice moment
 - mențineți o poziție sigură a corpului
 - ! **nu apăsați sculă astfel încât ea să se oprească**
 - mențineți fantele de ventilație L ③ neacoperite

ÎNTREȚINERE / SERVICE

- Feriți mașina de impacturi, șocuri și contaminare cu lubrifianți
- Păstrați aparatul și cablul curat (mai ales fantele de ventilație L ③)
 - ! **deconectați de la priză înainte de a curăța**
 - ! **nu încercați să curățați fantele de ventilație îngînd obiecte ascuțite în ele**
- Dacă în ciuda procedurilor de fabricație și control riguroase scula are totuși o pană, repararea acesteia se va face numai la un atelier de asistență service autorizat pentru scule electrice SKIL
 - trimiteți scula **în totalitatea lui** cu bonul de cumpărare la distribuitorul sau la centrul de service SKIL cel mai apropiat (adrese și diagrame de service se găsesc la www.skilmasters.com)

MEDIUL

- **Nu aruncați sculele electrice, accesoriile sau ambalajele direct la pubelele de gunoi** (numai pentru țările din Comunitatea Europeană)
 - Directiva Europeană 2002/96/EC face referire la modul de aruncare a echipamentelor electrice și electronice și modul de aplicare a normelor în conformitate cu legislația națională; sculele electrice în momentul în care au atins un grad avansat de uzură și trebuie aruncate, ele trebuie colectate separat și reciclate într-un mod ce respectă normele de protecție a mediului inconjurător
 - simbolul ⑧ vă va reaminti acest lucru

DECLARAȚIE DE CONFORMITATE CE

- Declaram pe proprie răspundere că produsul descris la paragraful "Date tehnice" este în conformitate cu următoarele standarde și documente normative: EN 60745, EN 61000, EN 55014 conform prevederilor directivelor 2004/108/CE, 2006/42/CE, 2011/65/UE
- **Documentație tehnică la:** SKIL Europe BV (PT-SEU/ENG1), 4825 BD Breda, NL

Marijn van der Hoofden
Operations & Engineering

Olaf Dijkgraaf
Approval Manager



SKIL Europe BV, 4825 BD Breda, NL

19.08.2013

ZGOMOT/VIBRAȚII

- Мăсурат ън конформитате ку EN 60745 нивелу де presiune а sunetului generat de acest instrument este de 86 dB(A) iar нивелу де putere а sunetului 97 dB(A) (abaterea standard: 3 dB), iar нивелу вибраџилор 8,5 m/s² (metoda mină-brat; incertitudine K = 1,5 m/s²)
- Nivelul emisiilor де vibraџii а fost мăсурат ън конформитате ку un test standardizat precizat ън EN 60745; poate fi folosit pentru а compara о sculă ку alta џi ca evaluare preliminară а expunerii la vibraџii atunci cānd folosiџi scula pentru aplicaџiile menџionate
 - utilizarea sculei pentru aplicaџii diferite sau cu accesorii diferite џi prost ънтреџинute poate **creџte** semnificativ нивелу де expunere
 - momentele ън care scula este oprită sau cānd funcџionează dar nu execută nicio lucrare, pot **reduce** semnificativ нивелу де expunere
- ! **protejaџi-vă ъмпotriva efectelor вибраџилор prin ънтреџinerea sculei џi а accesoriiilor sale, păstrānd māinile calde џi organizānd procesele де lucru**

BG

Полировъчна машина

9955

УВОД

- Този инструмент е предназначен за полиране на метал, пластмаса и повърхности с покритие, а също и за полиране на материали от камък, без да се използва вода
- Прочетете и пазете това ръководство за работа ②

ТЕХНИЧЕСКИ ДАННИ ①

ЕЛЕМЕНТИ НА ИНСТРУМЕНТА ③

- A Помощна ръчка
- B Помощна ръчка (тип D)
- C Шестостепенен ключ
- D Шпиндел
- E Подложки (VELCRO)
- F Бутон за заключване на шпиндела
- G Вълнена шапка
- H Прекъсвач за включване/изключване
- J Бутон за блокиране на електрическия ключ
- K Диска за регулиране на максимална скорост
- L Вентилационните отвори

БЕЗОПАСНОСТ

ОБЩИ УКАЗАНИЯ ЗА БЕЗОПАСНА РАБОТА

⚠ ВНИМАНИЕ! Прочетете внимателно всички указания. Неспазването на приведените по долу указания може да доведе до токов удар, пожар и/или тежки травми. **Съхранявайте тези указания на сигурно място.** Използваният по-долу термин "електроинструмент" се отнася до захранвани от електрическата мрежа електроинструменти (със захранващ кабел) и до захранвани от акумулаторна батерия електроинструменти (без захранващ кабел).

1) БЕЗОПАСНОСТ НА РАБОТНОТО МЯСТО

- a) **Поддържайте работното си място чисто и подредено.** Безпорядъкът или недостатъчното осветление могат да спомогнат за възникването на трудова злополука.
- b) **Не работете с електроинструмента в среда с повишена опасност от възникване на експлозия, в близост до леснозапалими течности, газове или прахообразни материали.** По време на работа в електроинструментите се отделят искри, които могат да възпламенят прахообразни материали или пари.
- c) **Дръжте деца и странични лица на безопасно разстояние, докато работите с електроинструмента.** Ако вниманието Ви бъде отклонено, може да загубите контрола над електроинструмента.

2) БЕЗОПАСНОСТ ПРИ РАБОТА С ЕЛЕКТРИЧЕСКИ ТОК

- a) **Щепселът на електроинструмента трябва да е подходящ за ползвания контакт. В никакъв случай не се допуска изменение на конструкцията на щепсела. Когато работите със занулени електроуреди, не използвайте адаптери за щепсела.** Ползването на оригинални щепсели и контакти намалява риска от възникване на токов удар.
- b) **Избягвайте допира на тялото Ви до заземени тела, напр. тръби, отоплителни уреди, пещи и хладилници.** Когато тялото Ви е заземено, рискът от възникване на токов удар е по-голям.
- c) **Предпазвайте електроинструмента си от дъжд и влага.** Проникването на вода в електроинструмента повишава опасността от токов удар.
- d) **Не използвайте захранващия кабел за цели, за които той не е предвиден, напр. за да носите електроинструмента за кабела или да извадите щепсела от контакта. Предпазвайте кабела от нагриване, омасляване, допир до остри ръбове или до подвижни звена на машини.** Повредени или усукани кабели увеличават риска от възникване на токов удар.
- e) **Когато работите с електроинструмент навън, използвайте само удължителни кабели, предназначени за работа на открито.** Използването на удължител, предназначен за работа на открито, намалява риска от възникване на токов удар.
- f) **Ако се налага използването на електроинструмента във влажна среда, използвайте предпазен прекъсвач за утечни токове.** Използването на предпазен прекъсвач за утечни токове намалява опасността от възникване на токов удар.

3) БЕЗОПАСЕН НАЧИН НА РАБОТА

- a) **Бъдете концентрирани, следете внимателно действията си и постъпвайте предпазливо и разумно. Не използвайте електроинструмента, когато сте уморени или под влиянието на наркотични вещества, алкохол или упойващи лекарства.** Един миг разсеяност при работа с

- електроинструмент може да има за последствие изключително тежки наранявания.
- b) **Работете с предпазващо работно облекло и винаги с предпазни очила.** Носенето на подходящи за ползвания електроинструмент и извършваната дейност лични предпазни средства, като дихателна маска, здрави плътнотазтворени обувки със стабилен грайфер, защитна каска или шумозаглушители (антифони), намалява риска от възникване на трудова злополука.
- c) **Избягвайте опасността от включване на електроинструмента по невнимание. Преди да включите щепсела в захранващата мрежа или да поставите акумулаторната батерия, се уверявайте, че пусковият прекъсвач е в положение изключено.** Ако, когато носите електроинструмента, държите пръста си върху пусковия прекъсвач, или ако подавате захранващо напрежение на електроинструмента, когато е включен, съществува опасност от възникване на трудова злополука.
- d) **Преди да включите електроинструмента, се уверявайте, че сте отстранили от него всички помощни инструменти и гаечни ключове.** Помощен инструмент, забравен на въртящо се зveno, може да причини травми.
- e) **Не надценявайте възможностите си. Работете в стабилен положение на тялото и във всеки момент поддържайте равновесие.** Така ще можете да контролирате електроинструмента по-добре и по-безопасно, ако възникне неочаквана ситуация.
- f) **Работете с подходящо облекло. Не работете с широки дрехи или украшения. Дръжте косата си, дрехите и ръкавици на безопасно разстояние от въртящи се звена на електроинструментите.** Широките дрехи, украшенията, дългите коси могат да бъдат захванати и увлечени от въртящи се звена.
- g) **Ако е възможно използването на външна аспирационна система, се уверявайте, че тя е включена и функционира изправно.** Използването на аспирационна система намалява рисковете, дължащи се на отделящата се при работа прах.
- 4) **ВНИМАТЕЛНО ОТНОШЕНИЕ НЪМ ЕЛЕКТРОИНСТРУМЕНТИ**
- a) **Не претоварвайте електроинструмента. Използвайте електроинструментите само съобразно тяхното предназначение.** Ще работите по-добре и по-безопасно, когато използвате подходящия електроинструмент в зададения от производителя диапазон на натоварване.
- b) **Не използвайте електроинструмент, чиито пусков прекъсвач е повреден.** Електроинструмент, който не може да бъде изключван и включван по предвидения от производителя начин, е опасен и трябва да бъде ремонтиран.
- c) **Преди да промените настройките на електроинструмента, да замените работни инструменти и допълнителни приспособления, както и когато продължително време няма да използвате електроинструмента, изключвайте щепсела от захранващата мрежа и/или изваждайте акумулаторната батерия.** Тази мярка премахва опасността от задействане на електроинструмента по невнимание.
- d) **Съхранявайте електроинструментите на места, където не могат да бъдат достигнати от деца. Не допуснете те да бъдат използвани от лица, които не са запознати с начина на работа с тях и не са прочели тези инструкции.** Когато са в ръцете на неопитни потребители, електроинструментите могат да бъдат изключително опасни.
- e) **Поддържайте електроинструментите си грижливо. Проверявайте дали подвижните звена функционират безукорно, дали не заклинват, дали има счупени или повредени детайли, които нарушават или изменят функциите на електроинструмента. Преди да използвате електроинструмента, се погрижете повредените детайли да бъдат ремонтирани.** Много от трудовете злополуки се дължат на недобре поддържани електроинструменти и уреди.
- f) **Поддържайте режещите инструменти винаги добре заточени и чисти.** Добре поддържаните режещи инструменти с остри ръбове оказват по-малко съпротивление и се водят по-леко.
- g) **Използвайте електроинструментите, допълнителните приспособления, работните инструменти и т.н., съобразно инструкциите на производителя. С дейности и процедури, евентуално предписани от различни нормативни документи.** Използването на електроинструменти за различни от предвидените от производителя приложения повишава опасността от възникване на трудова злополука.
- 5) **ПОДДЪРЖАНЕ**
- a) **Допускайте ремонтът на електроинструментите Ви да се извършва само от квалифицирани специалисти и само с използването на оригинални резервни части.** По този начин се гарантира съхраняване на безопасността на електроинструмента.

УКАЗАНИЯ ЗА БЕЗОПАСНА РАБОТА С ПОЛИРОВЪЧНА МАШИНА

1) УКАЗАНИЯ ЗА БЕЗОПАСНА РАБОТА ЗА ВСИЧКИ ПРИЛОЖЕНИЯ

- a) **Този електроинструмент може да се използва за полиране. Спазвайте всички указания и предупреждения, съобразявайте се с приведените технически параметри и изображения.** Ако не спазвате посочените по-долу указания, последствията могат да бъдат токов удар, пожар и/или тежки травми.
- b) **Този инструмент не се препоръчва за шлифоване, почистване с шкурка, почистване с телена четка или за рязане.** Дейностите, за които инструментът не е предвиден, може да създадат опасност и да причинят телесно нараняване.
- c) **Не оставайте висящи нишки или предмети по полиращото платно, напр. връв за окачване.** Ако платното има връв за окачване, предварително

- я връзвайте или отрязвайте. Въртяща се незахваната връв може да увлече пръстите Ви или да се усуче около обработвания детайл.
- d) **Не използвайте допълнителни приспособления, които не се препоръчват от производителя специално за този инструмент.** Фактът, че можете да закрепите към инструмента определено приспособление или работен инструмент, не гарантира безопасна работа с него.
- e) **Допустимата скорост на въртене на работния инструмент трябва да е не по-малка от изписаната на табелката на електроинструмента максимална скорост на въртене.** Инструменти, които се въртят с по-висока скорост от максимално допустимата, могат да се разрушат.
- f) **Външният диаметър и дебелината на работния инструмент трябва да съответстват на данните, посочени в техническите характеристики на Вашия електроинструмент.** Работни инструменти с неподходящи размери не могат да бъдат екранирани по необходимия начин или да бъдат контролирани достатъчно добре.
- g) **Работни инструменти с опасна на резба трябва да пасват точно на присъединителната резба на вала на машината.** При работни инструменти, които се монтират с помощта на фланец, диаметърът на отвора трябва да пасва точно на диаметъра на присъединителното стъпало на фланеца. Работни инструменти, които не бъдат захванати правилно към електроинструмента, се въртят неравномерно, вибрират силно и могат да предизвикат загуба на контрол над електроинструмента.
- h) **Не използвайте повредени работни инструменти.** Преди всяка употреба проверявайте работните инструменти, напр. абразивните дискове за пукнатини или откътнати ръбчета, подложните дискове за пукнатини или силно износване, телените четки за недобре захванати или счупени телчета. Ако изтървете електроинструмента или работния инструмент, ги проверявайте внимателно за увреждания или използвайте нови неповредени работни инструменти. След като сте проверили внимателно и сте монтирали работния инструмент, оставете електроинструмента да работи на максимални обороти в продължение на една минута; стойте и дръжте намиращи се наблизо лица встрани от равнината на въртене. Най-често повредени работни инструменти се чупят през този тестов период.
- i) **Работете с лични предпазни средства ④. В зависимост от приложението работете с цяла маска за лице, защита за очите или предпазни очила. Ако е необходимо, работете с дихателна маска, шумозаглушители (антифони), работни обувки или специализирана престилка, която Ви предпазва от малки откътнати при работата частички.** Очите Ви трябва да са защитени от летящите в зоната на работа частички. Противопраховата или дихателната маска филтрират възникващия при работа прах. Ако продължително време сте изложени на силен шум, това може да доведе до загуба на слух.
- j) **Внимавайте други лица да бъдат на безопасно разстояние от зоната на работа.** Всеки, който се намира в зоната на работа, трябва да носи лични предпазни средства. Откътнати парченца от обработвания детайл или работния инструмент могат в резултат на силното ускорение да отлетят надалече и да предизвикат наранявания също и извън зоната на работа.
- k) **Дръжте хранящия кабел на безопасно разстояние от въртящия се работен инструмент.** Ако изгубите контрол над електроинструмента, кабелът може да бъде прерязан или увлечен от работния инструмент и това да предизвика наранявания, напр. на ръката Ви.
- l) **Никога не оставайте електроинструмента, преди работния инструмент да спре напълно въртенето си.** Въртящият се инструмент може да допре до предмет, в резултат на което да загубите контрол над електроинструмента.
- m) **Докато пренасяте електроинструмента, не го оставайте включен.** Дрехите или косите Ви могат да бъдат увлечени от работния инструмент в резултат на неволен допир, в резултат на което работния инструмент може да се вреже в тялото Ви.
- n) **Редовно почиствайте вентилационните отвори на Вашия електроинструмент.** Турбината на електродвигателя засмуква прах в корпуса, а натрупването на метален прах увеличава опасността от токов удар.
- o) **Не използвайте електроинструмента в близост до леснозапалими материали.** Летящи искри могат да предизвикат възпламеняването на такива материали.
- p) **Не използвайте работни инструменти, които изискват прилагането на охлаждащи течности.** Използването на вода или други охлаждащи течности може да предизвика токов удар.
- 2) ОТКАТ И СЪВЕТИ ЗА ИЗБЯГВАНЕТО МУ**
- Откат е внезапната реакция на инструмента вследствие на заклиняване или блокиране на въртящия се работен инструмент, напр. абразивен диск, гумен подложен диск, телена четка и др.п. Заклиняването или блокирането води до рязкото спиране на въртенето на работния инструмент. Вследствие на това инструментът получава силно ускорение в посока, обратна на посоката на движение на инструмента в точката на блокиране, и става неуправляем.
 - Ако напр. абразивен диск се заклини или блокира в обработваното изделие, ръбът на диска, който допира детайла, може да се огъне и в резултат дискът да се счупи или да възникне откат. В такъв случай дискът се ускорява към работещия с инструмента или в обратна посока, в зависимост от посоката на въртене на диска и мястото на заклиняване. В такива случаи абразивните дискове могат и да се счупят.
 - Откат възниква в резултат на неправилно или погрешно използване на електроинструмента.

Възникването му може да бъде предотвратено чрез спазването на подходящи предпазни мерки, както е описано по-долу.

- a) **Дръжте електроинструмента здраво и дръжте ръцете и тялото си в такава позиция, че да противостоите на евентуално възникващ откат. Ако инструментът има спомагателна ръкохватка, винаги я използвайте, за да го контролирате по-добре при откат или при възникващите реакционни моменти по време на включване.** Ако предварително вземете подходящи предпазни мерки, при възникване на откат или силни реакционни моменти можете да овладеете инструмента.
- b) **Никога не поставяйте ръцете си в близост до въртящи се работни инструменти.** Ако възникне откат, инструментът може да нарани ръката Ви.
- c) **Избягвайте да заставате в зоната, в която би отскочил инструмента при възникване на откат.** Откатът премества инструмента в посока, обратна на посоката на движение на работния инструмент в зоната на блокиране.
- d) **Работете особено предпазливо в зоните на ъгли, остри ръбове и др.п. Избягвайте отблъскването или заклиняването на работните инструменти в обработвания детайл.** При обработване на ъгли или остри ръбове или при рязко отблъскване на въртящия се работен инструмент съществува повишена опасност от заклиняване. Това предизвиква загуба на контрол над инструмента или откат.
- e) **Не използвайте верижни или назъбени режещи листове.** Такива работни инструменти често предизвикват откат или загуба на контрол над електроинструмента.

ОБЩИ

- Използвайте инструмента само за сухо полиране
- Използвайте само фланците, доставени с инструмента
- Машината не трябва да се използва от лица под 16 години
- **Преди извършването на канвата и да било настройка или смяна на принадлежност винаги изваждайте щепсела от контакта на електрозахранването**
- **Не обработвайте азбестосъдържащ материал** (азбестът е канцерогенен)

ДОПЪЛНИТЕЛНИ АКСЕСОАРИ

- SKIL може да осигури безаварийна работа на електроинструмента само ако се използват подходящите консумативи, които можете да намерите при оторизираните дистрибутори на SKIL
- При монтиране и употреба на консумативи, не произведени от SKIL, следвайте инструкциите на съответния производител
- Използвайте само принадлежности, чиято допустима скорост на въртене е по-голяма или равна на максималната скорост на въртене на празен ход на електроинструмента
- Никога не използвайте консумативи с резбован отвор, по-малък M14 x 21 mm

- Не използвайте повредени, деформирани или вибриращи консумативи

УПОТРЕБА НА ОТКРИТО

- При работа на открито свързвайте електроинструмента към захранването посредством токопрекъсвач за повреда с максимален пусков ток от 30 mA и използвайте само удължител, предназначен за работа на открито и снабден със защитено от пръски щепселно гнездо

ПРЕДИ УПОТРЕБА

- Преди включване на инструмента в контакта се уверете, че мрежовото напрежение отговаря на напрежението, обозначено на фирмената табелка на инструмента (инструменти с номинално напрежение 230V или 240V могат да бъдат включени и към захранване с напрежение 220V)
- Винаги монтирайте спомагателната ръкохватка А ③ или В ③; никога не използвайте инструмента без нея
- Прахът от някои материали, като например съдържаща олово боя, някои видове дървесина, минерали и метали може да бъде вреден (контакт или вдишване на такъв прах могат да причинят алергични реакции и/или респираторни заболявания на оператора или стоящите наблизо лица); **използвайте противопрахова маска и работете с аспириращо прахта устройство, когато таква може да бъде свързано**
- Определени видове прах са класифицирани като карциногенни (като прах от дъб и бук) особено когато са комбинирани с добавки за подобряване на състоянието на дървесината; **използвайте противопрахова маска и работете с аспириращо прахта устройство, когато таква може да бъде свързано**
- Следвайте дефинираните по БДС изисквания относно запрашеността за материалите, които желаете да обработвате
- **Обезопасете работния материал** (материал, затегнат в затягащ инструмент или в менгеме е по-устойчив, отколкото ако се държи в ръка)
- Не затягайте електроинструмента в преса или менгеме
- Използвайте напълно развити и обезопасени разклонители с капацитет 16 A

ПРИ УПОТРЕБА

- При работа дръжте електроинструмента здраво с двете ръце и поддържайте устойчиво
- Винаги отвеждайте захранващият кабел далеч от движещите се звена на електроинструмента; прехвърлете кабела отзад, далеч от електроинструмента
- Ако кабелът се повреди ил среже по време на работа, не го докосвайте, веднага изключете щепсела, никога не използвайте инструмента с повреден кабел
- Не използвайте инструмента, когато е повреден шнурът; замената му следва да се извърши от квалифицирано лице
- В случай на електрическа или механична неизправност, изключете незабавно апарата и прекъснете контакта с електрическата мрежа

- В случай на прекъсване на захранването или неочаквано измъкване на щепсела, освободете прекъсвача H ③ за да избегнете рестартиране на инструмента

СЛЕД РАБОТА

- Преди да поставите инструмента, изключете мотора и се уверете, че всички подвижни части са напълно неподвижни
- След като изключите инструмента, никога не прилагайте допълнителна сила за да спрете въртенето на аксесоарите

УПОТРЕБА


- Монтиране на спомагателните ръкохватки ⑤
 - ! **изключете щепсела**
 - завъртете помощната дръжка А наляво или надясно в зависимост от това, какво ще извършвате
 - монтирайте спомагателната ръкохватка, В както е показано и затегнете двата винта от комплекта с помощта на шестостенния ключ С
- Монтиране на аксесоарите ③
 - ! **изключете щепсела**
 - почистете шпиндела D и всички части, които ще се монтират
 - завийте подложния диск от ВЕЛКРО Е върху шпиндела D, докато натискате бутона за заключване на шпиндела F
 - ! **натиснете бутона за заключване на шпиндела F само когато шпинделът D е в напълно спряно положение**
 - просто натиснете вълненото боне G върху подложния диск от ВЕЛКРО Е
 - за премахване на консумативи следвайте обратния ред
- Преди употреба
 - уверете се, че аксесоарите са правилно поставени и здраво затегнати
 - проверете дали аксесоарите се въртят свободно като ги завъртите с ръка
 - предварително тествайте инструмента, като я включите най-малко за 30 секунди на максимална скорост
 - в случай на силни вибрации или други неизправности, веднага спрете инструмента за установяване на повредата
- Включване/изключване
 - включвайте/изключвайте апарата чрез натискане/отпускане на спусък H ③
- Електронно плавно стартиране
 - Осигурява плавно достигане на максималната скорост без рязко движение при включване на инструмента
- Застопоряване на включващия спусък за непрекъсната работа
 - натиснете спусък H
 - натиснете бутон J с палеца
 - освободете механизма от застопорено положение като натиснете отново спусък H и го отпуснете

- Управление на скоростта ⑥
 - с диска K максималната скорост може да се регулира от ниска до висока (1-MAX)
 - включете инструмента в положение 1 (ниски обороти) на диска K
 - ако е необходимо изберете по-високи обороти, докато инструментът работи
 - оптималната работна скорост зависи от материала и може да бъде определена с практически опити
- Работа с инструмента
 - включете инструмента
 - поставете инструмента плътно върху повърхността, която ще полирате, и го движете равномерно на участъци
 - всяко следващо движение трябва да застъпва наполовина предходното
 - не задържайте движението на едно място, за да се избегне прегаряне на покритието
 - не движете инструмента в кръг, за да се избегне получаването на петна или прегаряне на покритието
 - ! **преди да изключите инструмента, трябва да я вдигнете от работната повърхност**
 - ! **аксесоарите продължават да се въртят известно време след изключване на инструмента**
- Държане и насочване на инструмента ⑦
 - ! **по време на работа, винаги дръжте уреда за оцветената(ите) в сиво зона(и) за хващане**
 - винаги дръжте инструмента здраво с двете ръце, така че през цялото време да сте в състояние да я управлявате сигурно
 - снабдете се с устойчива стойка
 - ! **при спиране на инструмента, не прилагайте сила**
 - оставяйте вентилационните отвори L ③ непокрити

ПОДДРЪЖКА / СЕРВИЗ

- Пазете инструмента от удари, сътресение и грес
- Поддържайте винаги електроинструмента и захранващия кабел чисти (особено вентилационните отвори L ③)
 - ! **преди почистване изключете щепсела**
 - ! **не се опитвайте да почиствате инструмента като пъхате заострени предмети в вентилационните отворите**
- Ако въпреки прецизното производство и внимателно изпитване възникне повреда, инструмента да се занесе за ремонт в оторизиран сервиз за електроинструменти на SKIL
 - занесете инструмента в неразглобен вид заедно с доказателство за покупката му в търговския обект, откъдето сте го закупили, или в най-близкия сервиз на SKIL (адресите, както и схемата за сервизно обслужване на електроинструмента, можете да намерите на адрес www.skilmasters.com)

ОПАЗВАНЕ НА ОКОЛНАТА СРЕДА

- **Не изхвърляйте електроуредите, приспособленията и опаковките заедно с битови отпадъци** (само за страни от ЕС)
 - съобразно Директивата на ЕС 2002/96/EG относно износените електрически и електронни уреди и отразяването ѝ в националното законодателство износените електроуреди следва да се събират отделно и да се предават за рециклиране според изискванията за опазване на околната среда
 - за това указва символът  тогава когато трябва да бъдат унищожени

ДЕКЛАРАЦИЯ ЗА СЪОТВЕТСТВИЕ CE

- С пълна отговорност ние декларираме, че описаният в "Технически данни" продукт съответства на следните стандарти или нормативни документи: EN 60745, EN 61000, EN 55014 съгласно изискванията на директиви 2004/108/EG, 2006/42/EG, 2011/65/EC
- **Подробни технически описания при:** SKIL Europe BV (PT-SEU/ENG1), 4825 BD Breda, NL

Marijn van der Hoofden
Operations & Engineering

Olaf Dijkgraaf
Approval Manager

SKIL Europe BV, 4825 BD Breda, NL

19.08.2013

ШУМ/ВИБРАЦИИ


- Измерено в съответствие с EN 60745 нивото на звуково налягане на този инструмент е 86 dB(A) а нивото на звукова мощност е 97 dB(A) (стандартно отклонение: 3 dB), а вибрациите са 8,5 м/с² (метод ръка-рамо; неопределеност K = 1,5 м/с²)
 - Нивото на предадените вибрации е измерено в съответствие със стандартизирания тест, определен в EN 60745; то може да се използва за сравнение на един инструмент с друг и като предварителна оценка на подлагането на вибрации при използването на инструмента за посочените приложения
 - използването на инструмента за различни от тези приложения или с други, или лошо поддържани аксесоари може значително **да повиши** нивото на което сте подложени
 - периодите от време, когато инструмента е изключен или съответно включен, но с него не се работи в момента могат значително **да намалят** нивото на което сте подложени
- ! предпазвайте се от ефектите от вибрациите, като поддържате инструмента и аксесоарите му, пазете ръцете си топли и организирате вашите модели на работа**

SK

Leštička

9955

ÚVOD

- Tento nástroj je určený na leštenie kovových, plastových a povrchovo upravených povrchov, ako aj na leštenie materiálov z kameňa bez použitia vody
- Prečítajte a uschovajte tento návod na použitie 


TECHNICKÉ ÚDAJE

ČASTI NÁSTROJA

- A Pomocné držadlo
- B Pomocné držadlo (typ D)
- C Imbusový kľuč
- D Vreteno
- E Brúsny tanier (VELCRO)
- F Gombík na uzamknutie vretena
- G Vlnená obruba
- H Spínač zapnutie/vypnutie
- J Tlačidlo na zaistenie vypínača
- K Kolesko na nastavenie maximálnej rýchlosti
- L Vetracie štrbiny

BEZPEČNOSŤ

VŠEOBECNÉ BEZPEČNOSTNÉ POKYNY

 **POZOR!** Prečítajte si všetky výstražné upozornenia a bezpečnostné pokyny. Zanedbanie dodržiavania výstražných upozornení a pokynov uvedených v nasledujúcom texte môže mať za následok zásah elektrickým prúdom, spôsobiť požiar a/alebo ťažké poranenie. **Tieto výstražné upozornenia a bezpečnostné pokyny starostlivo uschovajte na budúce použitie.** Pojem ručné "elektrické náradie" používaný v nasledujúcom texte sa vzťahuje na ručné elektrické náradie napájané zo siete (s prívodnou šnúrou) a na ručné elektrické náradie napájané akumulátorovou batériou (bez prívodnej šnúry).

1) BEZPEČNOSŤ NA PRACOVISKU

- Udržiavajte svoje pracovisko čisté a upratané.** Neporiadok na pracovisku alebo neosvetlené časti pracoviska môžu viesť k úrazom.
- Nepracujte elektrickým náradím v prostredí ohrozenom výbuchom, v ktorom sa nachádzajú horľavé kvapaliny, plyny alebo prach.** Elektrické náradie produkuje iskry, ktoré môžu prach alebo paru zapáliť.
- Deti a iné osoby udržiavajte počas práce od ručného elektrického náradia v dostatočnej vzdialenosti.** V prípade odpútania Vašej pozornosti by ste mohli stratiť kontrolu nad náradím.

2) ELEKTRICKÁ BEZPEČNOSŤ

- Zástrčka prívodnej šnúry sa musí hodiť do napájacej zásuvky. Zástrčka sa v žiadnom prípade nesmie meniť. Pri uzemnených spotrebičoch nepoužívajte spolu s nimi žiadne adaptéry.**

Nezmenená zástrčka a vhodná zásuvka znižujú riziko zásahu elektrickým prúdom.

- b) **Vyhýbajte sa telesnému kontaktu s povrchovými plochami uzemnených spotrebičov, ako sú elektrické rúry, vyhrievacie telesá, sporáky a chladničky.** Keď je Vaše telo uzemnené, riziko zásahu elektrickým prúdom je vyššie.
- c) **Chráňte ručné elektrické náradie pred dažďom a vlhkom.** Vniknutie vody do ručného elektrického náradia zvyšuje riziko zásahu elektrickým prúdom.
- d) **Nepoužívajte prírodnú šnúru na prenášanie náradia, na jeho vešanie, ani za ňu nevyťahujte zástrčku zo zásuvky.** Prírodnú šnúru chráňte pred horúčkou, olejom, ostrými hranami alebo pohybujúcimi sa časťami náradia. Poškodené alebo zauzlené šnúry zvyšujú riziko zásahu elektrickým prúdom.
- e) **Ak pracujete s ručným elektrickým náradím vonku, používajte len také predlžovacie šnúry, ktoré sú schválené pre používanie vo vonkajších priestoroch.** Používanie predlžovacej šnúry určenej do vonkajšieho prostredia znižuje riziko zásahu elektrickým prúdom.
- f) **Ak sa nedá vyhnúť použitiu ručného elektrického náradia vo vlhkom prostredí, použite prerušovač uzemňovacieho obvodu.** Používanie prerušovača uzemňovacieho obvodu znižuje riziko zásahu elektrickým prúdom.

3) BEZPEČNOSŤ OSÔB

- a) **Buďte pozorní, dávajte pozor na to, čo robíte a k práci s elektrickým náradím pristupujte rozumne. Nepoužívajte elektrické náradie, keď ste unavení alebo keď ste pod vplyvom drog, alkoholu alebo liekov.** Chvíľa nepozornosti pri používaní náradia môže viesť k vážnym poraneniam.
- b) **Noste osobné ochranné pomôcky, ochranný odev a vždy majte nasadené ochranné okuliare.** Nosenie pracovného odevu a používania ochranných pomôcok ako ochrannej dýchacej masky, bezpečnostných protišmykových topánok, prilby alebo chrániča sluchu, podľa druhu elektrického náradia, znižuje riziko poranenia.
- c) **Vyhýbajte sa neúmyselnému uvedeniu ručného elektrického náradia do činnosti. Pred zasunutím zástrčky do zásuvky a/alebo pred pripojením akumulátora, pred chytením alebo prenášaním ručného elektrického náradia sa vždy presvedčte sa, či je ručné elektrické náradie vypnuté.** Ak budete mať pri prenášaní ručného elektrického náradia prst na vypínači, alebo ak ručné elektrické náradie pripojíte na elektrickú sieť zapnutú, môže to mať za následok nehodu.
- d) **Skôr ako ručné elektrické náradie zapnete, odstráňte nastavovacie a montážne nástroje.** Nástroj alebo kľúč, ktorý sa nachádza v pohyblivej časti náradia, môže spôsobiť poranenie.
- e) **Neprečeňte sa. Zabezpečte si pevný postoj a neprestajne udržiavajte rovnováhu.** Takto budete môcť ručné elektrické náradie v neočakávaných situáciách lepšie kontrolovať.
- f) **Pri práci noste vhodný pracovný odev. Nenoste široké odevy a nemajte na sebe šperky. Dbajte na**

to, aby ste mali vlasy, odev a rukavice v dostatočnej vzdialenosti od pohybujúcich sa častí náradia.

Pohybujúce sa časti náradia by mohli zachytiť voľné oblečenie, šperky alebo dlhé vlasy.

- g) **Ak možno namontovať zariadenie na odsávanie alebo zachytávanie prachu, presvedčte sa, či je pripojené a správne používané.** Používanie odsávacieho zariadenia a zariadenia na zachytávanie prachu znižuje riziko ohrozenia zdravia prachom.
- 4) **STAROSTLIVÉ ZAOBCHÁDZANIE S ELEKTRICKÝM NÁRADÍM A JEHO POUŽÍVANIE**
 - a) **Náradie nepreťažujte.** Pre svoju prácu používajte určené elektrické náradie. Pomocou vhodného ručného elektrického náradia budete môcť v uvedenom rozsahu výkonu pracovať lepšie a bezpečnejšie.
 - b) **Nepoužívajte žiadne ručné elektrické náradie, ktoré má pokazený vypínač.** Ručné elektrické náradie, ktoré sa už nedá zapínať alebo vypínať, je nebezpečné a treba ho dať opraviť.
 - c) **Skôr ako začnete náradie nastavovať alebo prestavovať, vymieňať príslušenstvo alebo skôr, ako odložíte náradie, vždy vyťahnite zástrčku sieťovej šnúry zo zásuvky.** Toto bezpečnostné opatrenie zabraňuje neúmyselnému spusteniu náradia.
 - d) **Nepoužívané ručné elektrické náradie uschovávajú mimo dosahu detí. Nedopusťte, aby ručné elektrické náradie používali osoby, ktoré s ním nie sú dôkladne oboznámené, alebo ktoré si neprečítali tento Návod na používanie.** Ak ručné elektrické náradie používajú neskúsené osoby, stáva sa nebezpečným nástrojom.
 - e) **Elektrické náradie starostlivo ošetrujte.** Skontrolujte, či pohyblivé súčiastky náradia bezchybne fungujú a neblokujú a či nie sú zlomené alebo poškodené niektoré súčiastky, ktoré by mohli negatívne ovplyvniť fungovanie ručného elektrického náradia. Pred použitím ručného elektrického náradia dajte poškodené súčiastky opraviť. Nejeden úraz bol spôsobený zle udržiavaným náradím.
 - f) **Používané nástroje udržiavajte ostré a čisté.** Starostlivo ošetrované nástroje s ostrými reznými hranami sa menej často zablokujú a ich vedenie je podstatne ľahšie.
 - g) **Používajte ručné elektrické náradie, príslušenstvo, pracovné nástroje a pod. podľa týchto pokynov. Zohľadnite pritom konkrétne pracovné podmienky a činnosť, ktorú máte vykonať.** Používanie ručného elektrického náradia na iné ako určené účely môže viesť k nebezpečným situáciám.
- 5) **SERVIS**
 - a) **Ručné elektrické náradie zverte do opravy len kvalifikovanému personálu a používajte len originálne náhradné súčiastky.** Tým sa zabezpečí zachovanie bezpečnosti ručného elektrického náradia.

BEZPEČNOSTNÉ POKYNY PRE LEŠTIČKY

- 1) **BEZPEČNOSTNÉ POKYNY PRE VŠETKY ČINNOSTI**
 - a) **Toto ručné elektrické náradie sa používa ako leštička. Respektujte všetky výstražné upozornenia, pokyny, obrázky a údaje, ktoré ste dostali s týmto ručným elektrickým náradím.** Ak by ste nedodržali

nasledujúce pokyny, mohlo by to mať za následok zásah elektrickým prúdom, vznik požiaru a/alebo vážne poranenie.

- b) **Toto elektrické náradie nie je určené na brúsenie, šmirgľovanie, čistenie drôtenou kefou ani rezanie.** Vykonávanie činností, na ktoré toto elektrické náradie nie je určené, môžu predstavovať nebezpečenstvo a spôsobiť zranenie.
- c) **Nepripusťte, aby boli uvoľnené niektoré súčiastky leštiaceho návleku, najmä upevňovacie šnúrky. Upevňovacie šnúrky založte alebo skráťte.** Uvoľnené otáčajúce sa upevňovacie šnúrky by Vám mohli zachytiť prsty, alebo by sa mohli zachytiť v obrobku.
- d) **Nepoužívajte žiadne také príslušenstvo, ktoré nebolo výrobcom určené a odporúčané špeciálne pre toto pneumatické náradie.** Okolnosť, že príslušenstvo sa dá na toto ručné elektrické náradie upevniť, ešte neznamená, že to zaručuje jeho bezpečné používanie.
- e) **Prípustný počet obrátok pracovného nástroja musí byť minimálne taký vysoký ako maximálny počet obrátok uvedený na ručnom elektrickom náradí.** Príslušenstvo, ktoré sa otáča rýchlejšie, by sa mohlo zničiť.
- f) **Vonkajší priemer a hrúbka pracovného nástroja musia zodpovedať rozmerovým údajom uvedeným na ručnom elektrickom náradí.** Nesprávne dimenzované pracovné nástroje môžu byť nedostatočne oddelené a kontrolované.
- g) **Pracovné nástroje, ktoré sú vybavené vložkou so závitom, musia presne pasovať na závit brúsneho vretena. Pri takých pracovných nástrojoch, ktoré sa montujú pomocou príruby, treba priemer otvoru pracovného nástroja prispôbiť upínaciemu priemeru príruby.** Pracovné nástroje, ktoré nie sú presne upevnené do upínacieho mechanizmu ručného elektrického náradia, sa otáčajú nerovnomerne a intenzívne vibrujú, čo môže mať za následok stratu kontroly nad ručným elektrickým náradím.
- h) **Nepoužívajte žiadne poškodené pracovné nástroje. Pred každým použitím tohto ručného elektrického náradia skontrolujte, či nie sú pracovné nástroje, ako napr. brúsne kotúče, vyštrbené alebo vylomené, či nemajú brúsne tanieri vylomené miesta, trhliny alebo miesta intenzívneho potrebovania, či nie sú na drôtených kefách uvoľnené alebo polámané drôty. Keď ručné elektrické náradie alebo pracovný nástroj spadli na zem, prekontrolujte, či nie sú poškodené, alebo použite nepoškodený pracovný nástroj. Keď ste prekontrolovali a upli pracovný nástroj, zabezpečte, aby ste neboli v rovine rotujúceho nástroja, ani sa tam nenachádzali ani žiadne iné osoby, ktoré sú v blízkosti Vášho pracoviska, a nechajte ručné elektrické náradie bežať jednu minútu na maximálne obrátky.** Poškodené pracovné nástroje sa obyčajne za tento čas testovania zlomia.
- i) **Používajte osobné ochranné prostriedky** ④. Podľa druhu použitia náradia používajte ochranný štít na celú tvár, štít na oči alebo ochranné okuliare. Pokiaľ je to primerané, používajte ochrannú dýchaciu masku, chrániče sluchu, pracovné rukavice alebo

špeciálnu zásteru, ktorá zadrží odletujúce drobné čiastočky brusiva a obrábaného materiálu.

Predovšetkým oči treba chrániť pred odletujúcimi cudzími telieskami, ktoré vznikajú pri rôznom spôsobe používania náradia. Ochrana proti prachu alebo ochranná dýchacia maska predovšetkým odfiltruje konkrétny druh prachu, ktorý vzniká pri danom druhu použitia náradia. Keď je človek dlhšiu dobu vystavený hlasnému hluku, môže utrpieť stratu sluchu.

- j) **Zabezpečte, aby sa iné osoby nachádzali v bezpečnej vzdialenosti od Vášho pracoviska. Každá osoba, ktorá vstúpi do pracovného dosahu náradia, musí byť vybavená osobnými ochrannými pomôckami.** Úlomky obrobku alebo zlomený pracovný nástroj môžu odletieť a spôsobiť poranenie osôb aj mimo priameho pracoviska.
- k) **Zabezpečte, aby sa prívodná šnúra nenachádzala v blízkosti rotujúcich pracovných nástrojov náradia.** Ak stratíte kontrolu nad ručným elektrickým náradím, môže sa prerušiť alebo zachytiť prívodná šnúra a Vaša ruka a Vaše predlaktie sa môžu dostať do rotujúceho pracovného nástroja.
- l) **Nikdy neodkladajte ručné elektrické náradie skôr, ako sa pracovný nástroj úplne zastaví.** Rotujúci pracovný nástroj sa môže dostať do kontaktu s odkladacou plochou, následkom čoho by ste mohli stratiť kontrolu nad ručným elektrickým náradím.
- m) **Nikdy nemajte ručné elektrické náradie zapnuté vtedy, keď ho prenášate na iné miesto.** Náhodným kontaktom Vašich vlasov alebo Vášho oblečenia s rotujúcim pracovným nástrojom by sa Vám pracovný nástroj mohol zavŕtať do tela.
- n) **Pravidelne čistíte vetracie otvory svojho ručného elektrického náradia.** Ventilátor motora vŕhne do telesa náradia prach a veľké nahromadenie kovového prachu by mohlo spôsobiť vznik nebezpečného zásahu elektrickým prúdom.
- o) **Nepoužívajte toto ručné elektrické náradie v blízkosti horľavých materiálov.** Odletujúce iskry by mohli tieto materiály zapáliť.
- p) **Nepoužívajte žiadne také pracovné nástroje, ktoré potrebujú chladenie kvapalinou.** Používanie vody alebo iných chladiacich prostriedkov môže mať za následok zásah elektrickým prúdom.

2) SPÄTNÝ RÁZ A VÝSTRAŽNÉ UPOZORNENIA

- Spätňý ráz je náhlu reakciu náradia na vzpricenie, zaseknutie alebo blokujúci pracovný nástroj, napríklad brúsny kotúč, brúsny tanier, drôtená kefa a pod. Zaseknutie alebo zablokovanie vedie k náhlemu zastaveniu rotujúceho pracovného nástroja. Takýmto spôsobom sa nekontrolované ručné elektrické náradie rozkrúti na zablokovanom mieste proti smeru otáčania pracovného nástroja.
- Keď sa napríklad brúsny kotúč vzpricí alebo zablokuje v obrobku, môže sa hrana brúsneho kotúča, ktorá je zapichnutá do obrobku, zachytiť sa v materiáli a tým sa vylomiť z brúsneho taniera, alebo spôsobiť spätňý ráz náradia. Brúsny kotúč sa potom pohybuje smerom k osobe alebo smerom preč od nej podľa toho, aký bol smer otáčania kotúča na mieste zablokovania. Brúsne kotúče sa môžu v takomto prípade aj rozlomiť.

- Spätňý ráz je následkom nesprávneho a chybného používania ručného elektrického náradia. Vhodnými preventívnymi opatreniami, ktoré popisujeme v nasledujúcom texte, mu možno zabrániť.
- Ručné elektrické náradie vždy držte pevne a svoje telo a ruky udržiavajte vždy v takej polohe, aby ste vydržali prípadný spätňý ráz náradia. Pri každej práci používajte prídavnú rukoväť, ak ju máte k dispozícii, aby ste mali čo najväčšiu kontrolu nad silami spätňého rázu a reakčnými momentmi pri rozbehu náradia.** Pomocou vhodných opatrení môže obsluhujúca osoba sily spätňého rázu a sily reakčných momentov zvládnuť.
 - Nikdy nedávajte ruku do blízkosti rotujúceho pracovného nástroja.** Pri spätňom ráze by Vám mohol pracovný nástroj zasiahnuť ruku.
 - Nemajte telo v priestore, do ktorého by sa mohlo ručné elektrické náradie v prípade spätňého rázu vymrštiť.** Spätňý ráz vymršti ručné elektrické náradie v smere proti pohybu brúsneho kotúča na mieste blokovania.
 - Mimoriadne opatrne pracujte v oblasti rohov, ostrých hrán a pod. Zabráňte tomu, aby obrobok vymrštil pracovný nástroj proti Vám, alebo aby sa v ňom pracovný nástroj zablokoval.** Rotujúci pracovný nástroj má sklon zablokováť sa v rohoch, na ostrých hranách alebo vtedy, keď je vyhodnený. To má za následok stratu kontroly alebo spätňý ráz.
 - Nepoužívajte list na pílenie dreva ani iný ozubený pilový list.** Takéto pracovné nástroje často spôsobujú spätňý ráz alebo stratu kontroly nad ručným elektrickým náradím.

VŠEOBECNE

- Tento nástroj používajte len na suché leštenie
- Používajte len príruby, ktoré sú dodané s týmto nástrojom
- Tento nástroj by nemali používať osoby mladšie ako 16 rokov
- **Pri nastavovaní alebo výmene príslušenstva vždy vytiahnite privodný kábel zo zásuvky**
- **Neobrábajte materiál, ktorý obsahuje azbest** (azbest sa považuje za rakovinotvorný materiál)

PRÍSLUŠENSTVO

- SKIL zabezpečí bezchybný chod nástroja len ak sa používa správne príslušenstvo, ktoré môžete získať od vášho dileru SKIL
- Pri montáži/používaní iného príslušenstva ako SKIL si preštudujte pokyny daného výrobcu
- Používajte iba príslušenstvo, u ktorého hodnota prípustných obrátok zodpovedá minimálne najvyšším obrátkam náradia
- Nikdy nepoužívajte príslušenstvo so "slepým" otvorom so závitom, ktorý je menší ako M14 x 21 mm
- Nepoužívajte poškodené, zdeformované ani vibrujúce príslušenstvo

POUŽITIE VONKU

- Použití von zapojte nástroj cez vypínač poruchového prúdu (FI), ktorý sa zapne ak intenzita prúdu prevyší 30 mA; použite len predlžovaciu šnúru, ktorá je zvlášť navrhnutá na vonkašie použitie a ktorá má vodotesnú spojovaciu zástčku

PRED POUŽITÍM

- Vždy skontrolujte či je napájacie napätie rovnaké ako napätie uvedené na štítku nástroja (nástroj s menovitým napätím 230V alebo 240V môžete pripojiť aj do siete s napätím 220V)
- Vždy namontujte pomocnú rukoväť A ③ alebo B ③; nástroj bez nich nikdy nepoužívajte
- Prach z materiálu, akým je náter obsahujúci olovo, niektoré druhy dreva, minerály a kovy môže byť škodlivý (styk alebo nadýchanie prachu môže spôsobiť alergické reakcie a/alebo respiračné ochorenia obsluhy a okolostojacich osôb); **používajte ochrannú masku tváre a pracujte so zariadením na odsávanie prachu, ak je takéto zariadenie možné pripojiť**
- Určité druhy prachu sú klasifikované ako karcinogénne (akým dubový a bukový prach), a to hlavne v spojení s prísadami pre úpravu dreva; **používajte ochrannú masku tváre a pracujte so zariadením na odsávanie prachu, ak je takéto zariadenie možné pripojiť**
- Dodržujte stanovené nariadenia pre prácu v prašnom prostredí
- **Zaistite obrábaný diel** (obrábaný diel uchytený pomocou upínacích zariadení alebo vo zveráku je oveľa bezpečnejší kým v ruke)
- Neupevňujte nástroj do zveráka
- Používajte úplne odmotanú a bezpečnú predlžovaciu šnúru s kapacitou 16 A

POČAS PRÁCE

- Vždy držte nástroj pevne oboma rukami a stojte bezpečne
- Elektrickú šnúru udržiavajte vždy mimo pohybujúcich sa častí nástroja; elektrickú šnúru vždy smerujte dozadu, mimo nástroja
- Ak je sieťová šnúra poškodená alebo ak sa prereže počas prevádzky, nedotýkajte sa jej ale ju ihneď odpojte z hlavnej elektrickej siete
- Nikdy nepoužívajte nástroj ak je šnúra poškodená; šnúru musí vymeniť kvalifikovaná osoba
- V prípade elektrickej alebo mechanickej poruchy zastavte okamžite nástroj a vytiahnite zástrčku z nástennej zásuvky
- V prípade prerušenia prúdu alebo pri náhodnom vytiahnutí sa šnúry zo zástrčky, uvoľnite spínač H ③ aby ste zabránili náhodnému nekontrolovanému spusteniu nástroja

PO PRÁCI

- Predtým, ako nástroj položíte, vypnite motor a presvedčte sa, že vdetky pohybujúce sa časti úplne stoja
- Po vypnutí nástroja nikdy nezastavujte rotáciu príslušenstva tak, že ho budete zastavovať priečnou silou proti nemu

POUŽITIE

- Montáž pomocných rukovätí ⑤
! odpojte zástrčku
 - priskrutkujte pomocnú rúčku A na pravú alebo na ľavú stranu nástroja (podľa práce, ktorá sa má vykonávať)
 - namontujte pomocnú rukoväť B podľa obrázka a utiahnite obe dodané skrutky imbusovým kľúčom C

- Upínacie zariadenia ③
 - ! **odpojte zástrčku**
 - vyčistíte vreteno D a všetky časti, ktoré sa montujú
 - naskrutkujte tanier so suchým zipsom E na vreteno D, pričom držte stlačené tlačidlo na zaistenie vretena F
 - ! **gombík F na zaistenie vretena stlačte až keď vreteno D zastane**
 - vlnený leštiaci vankúš G jednoducho pritlačte na tanier so suchým zipsom E
 - pri demontáži príslušenstva postupujte opačne
- Pred použitím nástroja
 - zabezpečte, aby príslušenstvo bolo správne namontované a pevne utiahnuté
 - skontrolujte či sa príslušenstvo vopne pohybuje tak, že ho pootočíte rukou
 - otestujte beh nástroja tak, že ho v bezpečnej polohe necháte bežať najmenej 30 sekúnd bez záťaže pri najvyšších otáčkach
 - v prípade, že sa objavia veľké vibrácie alebo iné vady, okamžite nástroj zastavte a skontrolujte ho, aby ste určili príčinu závady
- Zapínanie/vypínanie
 - nástroj zapnite/vypnite stlačením/uvoľnením vypínača H ③
- Elektronické jemné spustenie
 - Zaisťuje hladké dosiahnutie maximálnych otáčok bez náhleho vplyvu pri zapnutí nástroja
- Aretácia vypínača pri nepretržitom používaní
 - stlačte vypínač H
 - palcom stlačte tlačidlo J
 - zaistenie uvoľníte opätovným stlačením vypínača H a jeho uvoľnením
- Kontrola rýchlosti ⑥
 - pomocou kolieska K je možné nastaviť rýchlosť otáčok od nízkych po vysoké (1-MAX)
 - začnite s kolieskom K v polohe 1 (nižšia rýchlosť)
 - v prípade potreby vyberte vyššiu rýchlosť za chodu nástroja
 - optimálna pracovná rýchlosť závisí na materiáli a môžete ju stanoviť praktickou skúškou
- Prevádzka nástroja
 - nástroj zapnite
 - položte nástroj úplne na povrch, ktorý chcete leštiť, a rovnomerne ním pohybujte po častiach
 - jeden pohyb by mal prekryvať predchádzajúci pohyb o polovicu
 - nezastavujte sa na jednom meste, aby sa zabránilo zhoreniu povrchovej úpravy
 - nepohybujte nástrojom do kruhu, aby sa zabránilo poškvrneniu alebo zhoreniu povrchovej úpravy
- ! **pred vypnutím nástroja by ste ho mali zdvihnúť z miesta obrábania**
- ! **príslušenstvo ešte chvíľu po vypnutí nástroja otáča**
- Držanie a vedenie nástroja ⑦
 - ! **počas práce vždy držte nástroj v oblasti sivého držadla(iel)**
 - vždy držte nástroj pevne obidvomi rukami, aby ste mali nástroj vždy plne pod kontrolou
 - zaujmite bezpečnú polohu
 - ! **na nástroj nevyvíjajte taký tlak, ktorý spôsobí jeho zastavenie**
 - vetracie štrbiny L ③ udržiajte nezakryté

ÚDRŽBA / SERVIS

- Brúsku chráňte pred nárazom, otrasom a masťou
- Nástroj a sieťovú šnúru udržiajte stále čistou (zvlášť vetracie štrbiny L ③)
 - ! **pred čistením odpojte z elektrickej siete**
 - ! **nepokúšajte sa ich čistiť dpciatými predmetmi tak, že ich cez vetracie štrbiny budete prestrkávať**
- Ak by nástroj napriek starostlivej výrobe a kontrole predsa len prestal niekedy fungovať, treba dať opravu vykonať autorizovanej servisnej opravovni elektrického náradia SKIL
 - pošlite nástroj **bez rozmontovania** spolu s dôkazom o kúpe; vášmu dilerovi alebo do najbližšieho servisného strediska SKIL (zoznam adries servisných stredísk a servisný diagram nástroja sú uvedené na www.skilmasters.com)

ŽIVOTNÉ PROSTREDIE

- **Elektrické náradie, príslušenstvo a balenia nevyhadzujte do komunálneho odpadu** (len pre štáty EÚ)
 - podľa európskej smernice 2002/96/EG o nakladaní s použitými elektrickými a elektronickými zariadeniami a zodpovedajúcich ustanovení právnych predpisov jednotlivých krajín sa použité elektrické náradie musí zbierať oddelene od ostatného odpadu a podrobiť ekologicky šetrnej recyklácii
 - pripomenie vám to symbol ⑧, keď ju bude treba likvidovať

VYHLÁSENIE O ZHODE CE

- Na vlastnú zodpovednosť vyhlasujeme, že dole popísaný výrobok "Technické údaje" sa zhoduje s nasledujúcimi normami alebo normatívnymi dokumentami: EN 60745, EN 61000, EN 55014 podľa ustanovení smerníc 2004/108/EG, 2006/42/EG, 2011/65/EU
- **Súbor technickej dokumentácie sa nachádzajú na adrese:** SKIL Europe BV (PT-SEU/ENG1), 4825 BD Breda, NL

Marijn van der Hoofden
Operations & Engineering

Olaf Dijkgraaf
Approval Manager



SKIL Europe BV, 4825 BD Breda, NL

19.08.2013

HLUKU/VIBRÁCIÁCH

- Merané podľa a EN 60745 je úroveň akustického tlaku tohto nástroja 86 dB(A) a úroveň akustického výkonu je 97 dB(A) (štandardná odchýlka: 3 dB), a vibrácie sú 8,5 m/s² (metóda ruka - paža; nepresnosť K = 1,5 m/s²)
- Hladina emisií od vibrácií bola nameraná v súlade s normalizovaným testom uvedeným v norme EN 60745; môže sa používať na vzájomné porovnanie náradí a na predbežné posúdenie vystavenia účinkom vibrácií pri používaní náradia pre uvedené aplikácie

- používanie náradia na rôzne aplikácie, alebo v spojení s rôznymi alebo nedostatočne udržiavanými doplnkami môže značne **zvýšiť** úroveň vystavenia
- časové doby počas ktorých je je náradie vypnuté alebo počas ktorých náradie beží ale v skutočnosti nevykonáva prácu môžu značne **znižit'** úroveň vystavenia

! chráňte sa pred účinkami vibrácií tak, že budete náradie a jeho príslušenstvo správne udržiavať, tak že nebudete pracovať so studenými rukami a tak že si svoje pracovné postupy správne zorganizujete

HR

Alat za poliranje

9955

UVOD

- Ovaj alat namijenjen je za poliranje metala, plastike i površina s premazom, kao i za suho poliranje kamena
- Pažljivo pročitajte i sačuvajte ove upute za rukovanje ②

TEHNIČKI PODACI ①

DIJELOVI ALATA ③

- A Pomoćna drška
- B Pomoćna drška (tip D)
- C Šesterokutni ključ
- D Vreteno
- E Brusni tanjur (VELCRO)
- F Gumb za aretiranje vretena
- G Vunena kapica
- H Prekidač zaključeno/isključeno
- J Gumb za uključivanje prekidača za uključivanje/isključivanje
- K Kotačić za kontrolu max. broja okretaja
- L Otvori za strujanje zraka

SIGURNOST

OPĆE UPUTE ZA SIGURAN RAD

PAŽNJA! Treba pročitati sve napomene o sigurnosti i upute. Ako se ne bi pošivale napomene o sigurnosti i upute to bi moglo uzrokovati strujni udar, požar i/ili teške ozljede. **Sačuvajte sve napomene o sigurnosti i upute za buduću primjenu.** U daljnjem tekstu korišten pojam "električni alat" odnosi se na električne alate s priključkom na električnu mrežu (s mrežnim kablom) i na električne alate s napajanjem iz aku baterije (bez mrežnog kabela).

1) SIGURNOST NA RADNOM MJESTU

- a) **Vaše radno područje održavajte čisto i uredno.**
Nered ili neosvijetljeno radno područje mogu doći do nezgoda.
- b) **S uređajem ne radite u okolini ugroženoj eksplozijom, u kojoj se nalaze zapaljive tekućine, plinovi ili prašina.** Električni alati proizvode iskre koje mogu zapaliti prašinu ili pare.

- c) **Djecu i ostale osobe držite dalje tijekom korištenja električnog alata.** Ako bi skrenuli pozornost sa posla mogli bi izgubiti kontrolu nad uređajem.

2) ELEKTRIČNA SIGURNOST

- a) **Priključni utikač uređaja treba odgovarati utičnici.** Na utikaču se ni u kojem slučaju ne smiju izvoditi izmjene. Ne koristite adapterske utikače zajedno sa uređajima koji su zaštićeni uzemljenjem. Originalni utikač i odgovarajuće utičnice smanjuju opasnost od električnog udara.
- b) **Izbjegavajte dodir tijela s uzemljenim površinama kao što su cijevi, centralno grijanje, štednjaci i hladnjaci.** Postoji povećana opasnost od električnog udara ako je vaše tijelo uzemljeno.
- c) **Držite uređaj dalje od kiše ili vlage.** Prodiranje vode u električni uređaj povećava opasnost od električnog udara.
- d) **Priključni kabel ne koristite za nošenje, vješanje ili za izvlačenje utikača iz utičnice.** Držite kabel dalje od izvora topline, ulja, oštrih rubova ili pomičnih dijelova uređaja. Oštećen ili usukan kabel povećava opasnost od električnog udara.
- e) **Ako s električnim uređajem radite na otvorenom, koristite samo produžni kabel odobren za uporabu na otvorenom.** Primjena produžnog kabela prikladnog za uporabu na otvorenom smanjuje opasnost od električnog udara.
- f) **Ako se ne može izbjeći uporaba električnog alata u vlažnoj okolini, upotrijebite sigurnosna sklopka za propuštanje u zemlju.** Upotrebom sigurnosne sklopke za propuštanje u zemlju smanjuje se opasnost od električnog udara.

3) SIGURNOST LJUDI

- a) **Budite oprezni, pazite što činite i postupajte razumno kod rada s električnim atomom. Ne koristite uređaj ako ste umorni ili pod utjecajem opojnih sredstava, alkohola ili lijekova.** Trenutak nepažnje kod uporabe uređaja može doći do ozbiljnih ozljeda.
- b) **Nosite sredstva osobne zaštite i uvijek zaštitne naočale.** Nošenje sredstava osobne zaštite, kao što je zaštitna maska, sigurnosne cipele koje ne klize, zaštitne kacige ili štitnika za sluh, ovisno od vrste i primjene električnog alata, smanjuje opasnost od nezgoda.
- c) **Izbjegavajte nehotično puštanje u rad. Prije nego što ćete utaknuti utikač u utičnicu i/ili staviti aku-bateriju, provjerite je li električni alat isključen.** Ako kod nošenja električnog alata imate prst na prekidaču ili se uključeni uređaj priključi na električno napajanje, to može dovesti do nezgoda.
- d) **Prije nego što uređaj uključite, uklonite alate za podešavanje ili vijčane ključeve.** Alat ili ključ koji se nalazi u rotirajućem dijelu uređaja može doći do nezgoda.
- e) **Ne precjenjujte svoje sposobnosti. Zauzmite siguran i stabilan položaj tijela i držite u svakom trenutku ravnotežu.** Na taj način možete uređaj bolje kontrolirati u neočekivanim situacijama.
- f) **Nosite prikladnu odjeću. Ne nosite široku odjeću ili nakit. Neka vaša kosa, odjeća i rukavice budu što dalje od pomičnih dijelova.** Mlohavu odjeću, nakit ili dugu kosu mogu zahvatiti pomični dijelovi uređaja.

g) **Ako se mogu montirati naprave za usisavanje i hvatanje prašine, provjerite da li su iste priključene i da li se pravilno koriste.** Primjena naprave za usisavanje može smanjiti ugroženost od prašine.

4) BRIZLJIVA UPORABA ELEKTRIČNIH ALATA

a) **Ne preopterećujte uređaj. Koristite za vaše radove za to predviđen električni alat.** S odgovarajućim električnim alatom radit ćete bolje i sigurnije, u navedenom području učinka.

b) **Ne koristite električni alat čiji je prekidač neispravan.** Električni alat koji se više ne može uključiti ili isključiti, opasan je i treba se popraviti.

c) **Izvučite utikač iz mrežne utičnice i/ili izvadite aku-bateriju prije podešavanja uređaja, zamjene pribora ili odlaganja uređaja.** Ovim mjerama opreza spriječit će se nehotično pokretanje uređaja.

d) **Nekoristišene električne alate spremite izvan doseg a djece. Ne dopustite da uređaj koriste osobe koje s njim nisu upoznate ili koje nisu pročitale upute za uporabu.** Električni alati su opasni ako ih koriste neiskusne osobe.

e) **Uređaj održavajte s pažnjom. Kontrolirajte da li pomični dijelovi uređaja besprijekorno rade i da nisu zaglavljeni, te da li su dijelovi polomljeni ili tako oštećeni da negativno djeluju na funkciju uređaja. Popravite oštećene dijelove prije uporabe uređaja.** Mnoge nezgode imaju svoj uzrok u loše održanim uređajima.

f) **Rezne alate održavajte ostrim i čistim.** Pažljivo održavani rezni alati s ostrim oštricama neće se zaglaviti i lakši su za vođenje.

g) **Koristite električne alate, pribor, radne alate, itd., prema navedenim uputama. Pri tome uzmite u obzir radne uvjete i radove koje se izvode.** Uporaba električnih alata za neke druge primjene različite od predviđenih, može doći do opasnih situacija.

5) SERVIS

a) **Popravak uređaja prepustite samo kvalificiranom stručnom osoblju i samo s originalnim rezervnim dijelovima.** Na taj će se način postići održanje stalne sigurnosti uređaja.

UPUTE ZA SIGURAN RAD S ALATOM ZA POLIRANJE

1) SIGURNOSNE UPUTE ZA SVE PRIMJENE

a) **Ovaj električni alat namijenjen je za poliranje. Pridržavajte se svih naputaka s upozorenjem, uputa, prikaza i podataka koje ste dobili s električnim alatom.** Ako se ne bi pridržavali slijedećih uputa, moglo bi doći do električnog udara, požara i/ili teških ozljeda.

b) **Ne preporučuje se za grubo brušenje, pjeskarenje, za rad sa žičanim četkama ili rezanje.** Postupci za koje alat nije namijenjen mogu izazvati opasne situacije i ozljede.

c) **Ne dopustite labave dijelove haube za poliranje, osobito uzice za pričvršćenje. Uzice za pričvršćenje na odgovarajući način smjestite ili skratite.** Ovakve labave uzice koje rotiraju mogle bi zahvatiti vaše prste ili izradak.

d) **Ne koristite pribor koji proizvođač nije specijalno predvidio i preporučio za ovaj električni alat.** Samo što ste pribor pričvrstili na vaš električni alat, ne jamči njegovu sigurnu primjenu.

e) **Dopušteni broj okretaja radnog alata treba biti najmanje toliko velik kao maksimalni broj okretaja naveden na električnom alatu.** Pribor koji bi se vrtio brže nego što je dopušteno, mogao bi se oštetiti.

f) **Vanjski promjer i debljina radnog alata moraju odgovarati dimenzionalnim podacima vašeg električnog alata.** Pogrešno dimenzionirani radni alati ne mogu se dovoljno zaštititi ili kontrolirati.

g) **Radni alati s navojnim umetkom moraju točno odgovarati navoju brusnog vretena. Za radne alate koji se montiraju pomoću prirubnice, promjer perforacije radnog alata mora odgovarati promjeru stezanja prirubnice.** Radni alati koji se ne pričvršćuju točno na električni alat, okreću se nejednolično, jako vibriraju i mogu dovesti do gubitka kontrole nad električnim alatom.

h) **Ne koristite oštećene radne alate. Kontrolirajte prije svake primjene radne alate kao što su brusne ploče na odlamanje komadića i na pukotine, brusne tanjure na pukotine, trošenje ili jaku istrošenost, žičane četke na popuštene ili odlomljene žice. Ako bi električni alat ili radni alat pao, provjerite da li je oštećen ili koristite neoštećeni radni alat. Kada radni alat imate pod kontrolom i kada s njim radite, držite ga tako da se druge osobe nađu izvan ravnine rotirajućeg radnog alata, i ostavite da se električni alat jednu minutu vrti s maksimalnim brojem okretaja. Oštećeni radni alati pucaju najčešće u ovo vrijeme ispitivanja.**

i) **Nosite osobnu zaštitnu opremu ④. Ovisno od primjene koristite punu zaštitu lica, zaštitu očiju ili zaštitne naočale. Ukoliko je to primjerno, nosite masku za zaštitu od prašine, štitnik za sluh, zaštitne rukavice ili specijalnu pregaču, koja će vas zaštititi od manjih čestica od brušenja i materijala. Oči treba zaštititi od letećih stranih tijela, koja bi mogla nastati kod različitih primjena. Maska za zaštitu od prašine ili maska za disanje mora kod primjene filtrirati nastalu prašinu. Ako ste dulje vrijeme izloženi glasnoj buci, mogli bi doživjeti oštećenje sluha.**

j) **Kada se radi o drugim osobama pazite na siguran razmak do vašeg radnog područja. Svatko tko bi stupio u radno područje, mora nositi osobnu zaštitnu opremu.** Odlomljeni komadići izratka ili radnog alata mogu odletjeti i uzrokovati ozljede i izvan izravnog radnog područja.

k) **Mrežni kabel držite dalje od rotirajućih radnih alata.** Ako ste izgubili kontrolu nad električnim alatom, mrežni kabel bi se mogao odrezati ili bi mogao biti zahvaćen, a vaše ruke bi mogao zahvatiti rotirajući radni alat.

l) **Električni alat nikada ne odlažite prije nego što se radni alat potpuno zaustavi.** Rotirajući radni alat bi mogao zahvatiti površinu odlaganja, te bi moglo doći do gubitka kontrole nad radnim alatom.

m) **Ne dopustite da električni alat radi dok ga nosite.** Kod slučajnog dodira vašu bi odjeću mogao zahvatiti rotirajući radni alat i ozlijediti vas.

n) **Redovito čistite otvore za hlađenje vašeg električnog alata.** Ventilator motora uvlači prašinu u kućište, a već nakupljanje metalne prašine može uzrokovati električne opasnosti.

o) Električni alat ne koristite blizu zapaljivih materijala.

Iskre mogu zapaliti ovaj materijal.

p) Ne koristite radne alate koji zahtijevaju tekuće rashladno sredstvo. Primjena vode ili ostalih tekućih rashladnih sredstava može doći do električnog udara.

2) POVRATNI UDAR I ODGOVARAJUĆE NAPOMENE UPOZORENJA

- Povratni udar je iznenadna reakcija zbog zaglavljenog ili blokiranog radnog alata u rotaciji, kao što su brusne ploče, brusni tanjuri, žičane četke, itd. Zaglavljivanje ili blokiranje dovodi do naglog zaustavljanja rotirajućeg radnog alata. Zbog toga će se nekontrolirani električni alat ubrzati suprotno smjeru rotacije radnog alata na mjestu blokiranja.
 - Ako bi se npr. brusna ploča zaglavila ili blokirala u izratku, mogao bi se rub brusne ploče koji je zarezao u izradak zahvatiti i time odlomiti brusnu ploču ili uzrokovati povratni udar. Brusna ploča će se u tom slučaju pomaknuti prema osobi koja rukuje ili od nje, ovisno od smjera rotacije brusne ploče na mjestu blokiranja. Kod toga bi se brusne ploče mogle i odlomiti.
 - Povratni udar je posljedica pogrešne ili manjkave uporabe električnog alata. On se može spriječiti prikladnim mjerama opreza, kako je to opisano u daljnjem tekstu.
- a) Električni alat držite čvrsto i dovedite vaše tijelo i ruke u položaj u kojem možete preuzeti sile povratnog udara. Ukoliko postoji, koristite uvijek dodatnu ručku, kako bi kod rada s uređajem imali najveću moguću kontrolu nad silama povratnog udara ili momentima reakcije.** Osoba koja rukuje uređajem može prikladnim mjerama opreza ovladati silama povratnog udara i silama reakcije.
- b) Vaše ruke nikada ne stavljajte blizu rotirajućeg radnog alata.** Radni alat bi se kod povratnog udara mogao pomaknuti preko vaše ruke.
- c) Izbjegavajte s vašim tijelom područje u kojem se električni alat pomiče kod povratnog udara.** Povratni udar potiskuje električni alat u smjeru suprotnom od pomicanja brusne ploče na mjestu blokiranja.
- d) Radite posebno oprezno u području uglova, oštrih rubova, itd. Spriječite da se radni alat odbije natrag od izratka i uklješti.** Rotirajući radni alat je na uglovima, oštrim rubovima ili kada bi odskočio, sklon uklještenju. To dovodi do gubitka kontrole nad uređajem ili povratnog udara.
- e) Ne koristite lančani ili nazubljeni list pile.** Takvi radni alati često uzrokuju povratni udar ili gubitak kontrole nad električnim alatom.

OPĆENITO

- Ovaj uređaj služi samo za suho poliranje
- Uređaj koristiti samo sa isporučenom priručnicom
- Uređaj ne bi smjele koristiti osobe mlađe od 16 godina
- **Prije svih radova održavanja, podešavanja ili izmjene alata i pribora treba izvući utikač iz mrežne utičnice**
- **Ne obrađujte materijal koji sadrži azbest** (azbest se smatra kancerogenim)

PRIBOR

- SKIL može osigurati besprijekoran rad uređaja samo ako se koristi odgovarajući pribor, koji se može dobiti u specijaliziranoj trgovačkoj mreži ili kod ovlaštenog distributera SKIL proizvoda
- Kod primjene proizvoda drugih proizvođača, molimo pridržavati se njihovih uputa za uporabu
- Upotrebjavajte pribor čija dopuštena brzina odgovara najvećoj brzini alata u praznom hodu
- Nikada ne koristite brusne ploče sa zatvorenim navojem ispod veličine M14 x 21 mm
- Ne smiju se koristiti napuke, deformirane ili vibrirajuće dodatnu opremu

UPORABA NA OTVORENOM

- Kod primjene na otvorenom, uređaj priključiti preko zaštitne sklopke struje kvara (FI), s okidačkom strujom od max. 30 mA i koristiti samo za to predviđen produžni kabel, koji je na priključnom mjestu zaštićen od prskanja

PRIJE UPORABE

- Uvijek provjerite je li napon napajanja isti kao onaj naveden na tipskoj pločici uređaja (uređaji označeni s 230V ili 240V mogu raditi i na 220V)
- Uvijek montirajte pomoćnu ručicu A ③ ili B ③; nikada ne koristite alat bez nje
- Prašina od materijala kao što su boje koje sadrže olovo, neke vrste drveća, minerali i metal mogu biti opasne (dodir s prašinom ili njeno udisanje mogu prouzročiti alergične reakcije i/ili respiratorna oboljenja rukovatelja ili posmatrača); **nosite masku za zaštitu od prašine i radite s uređajem za ekstrakciju prašine ukoliko ga možete priključiti**
- Određene vrste prašine klasificiraju se kao karcinogenske (kao što su prašina hrastovine i bukovine), osobito u sudejstvu s aditivima za kondicioniranje drveta; **nosite masku za zaštitu od prašine i radite s uređajem za ekstrakciju prašine ukoliko ga možete priključiti**
- Nacionalni uvjeti za materijale s kojima želite raditi
- **Osigurajte izradak** (izradak je sigurnije pričvršćen pomoću stezaljke ili škripa nego da ga držite rukom)
- Ne pritežite uređaj u škripac
- Upotrebjavajte samo neodmotane i zaštićene produžne kabele kapaciteta 16 ampera

TIJEKOM UPORABE

- Kod rada alat uvijek čvrsto držati s obje ruke i zauzeti siguran i stabilan položaj tijela
- Kabel uvijek držati dalje od rotirajućih dijelova uređaja; kabel povlačiti iza uređaja
- Ako se tijekom rada priključni kabel ošteti ili odreže, ne dirati priključni kabel, nego odmah izvući mrežni utikač
- Nikad ne upotrebjavajte alat kad su kabel oštećeni; neka iz zamijeni kvalificirana osoba
- U slučaju neobičajenog ponašanja uređaja ili neobičnih šumova, uređaj treba odmah isključiti i izvući utikač iz mrežne utičnice
- Kod prekida opskrbe strujom ili nehomičnog izvlačenja utikača iz mrežne utičnice, otpustiti prekidač H ③ kako bi se spriječilo nekontrolirano pokretanje uređaja

NAKON UPORABE

- Čim se udaljite od uređaja trebate ga isključiti i da se brusna ploča zaustavi do stanja mirovanja
- Nakon što isključite uređaja, vrtnju rotirajućih dijelova nikad ne zaustavljajte primjenom bočne sile

POSLUŽIVANJE

- Montaža pomoćne ručice ⑤
 - ! **izvući mrežni utikač**
 - zavijte pomoćnu dršku A na desnu ili lijevu stranu alata (ovisno o poslu koji ćete obavljati)
 - montirajte pomoćnu ručicu B prema prikazu na slici i privijte oba vijka šesterokutnim ključem C
- Montirajte/skinite brusnu ploču ③
 - ! **izvući mrežni utikač**
 - očistite vreteno D i sve montirane dijelove
 - pritegnite podlošku s ČIČKOM E na osovinu D, uz pritisak na gumb za aretiranje osovine F
 - ! **pritisnite gumb za aretiranje vretena F samo kada je vreteno D u mirovanju**
 - jednostavno pritisnite vunen poklopac G na podlošku s ČIČKOM E
 - kod skidanja pribora postupiti obrnutim redoslijedom
- Prije uporabe vašeg uređaja
 - osigurajte da pribora bude ispravno montirana i čvrsto stegnuta
 - rukom provjeriti slobodnu rotaciju pribore
 - provesti probni rad, tako da pribora može najmanje 30 sekundi rotirati s najvećom brzinom
 - kod većih vibracija ili drugih neispravnosti, uređaj odmah isključiti i pronaći moguće uzroke
- Uključivanje/isključivanje
 - uređaj uključite/isključite povlačenjem/otpuštanjem prekidača H ③
- Elektroničko meko pokretanje
 - Osigurava dosizanje maksimalne brzine bez trenutačnog trzaja kod uključivanja uređaja
- Aretiranje prekidača za stalan rad
 - povucite prekidač H
 - palcem pritisnite gumb J
 - prekidač otključajte tako da prekidač H ponovo povučete, a zatim otpustite
- Kontrola brzine ⑥
 - kotačićem K se maksimalni broj okretaja namješta od najmanjeg do najvećeg (1-MAX)
 - započnite s kotačem K u položaju 1 (niža brzina)
 - ako je potrebno, odaberite višu brzinu dok alat radi
 - optimalna radna brzina ovisi o materijalu i može se utvrditi probnim radovima
- Posluživanje uređaja
 - uključite uređaj
 - postavite alat potpuno na površinu koju treba polirati i pomičite ga postupno po dijelovima
 - svaki bi se pokret trebao preklapati s prethodnim za polovicu
 - nemojte stati na jednom mjestu kako ne biste pregorjeli oblogu/premaz
 - nemojte pomicati alat u krugovima kako ne biste stvorili mrlje ili pregorijevanje obloge/premaza
 - ! **prije isključivanja alata, isti se treba skinuti sa izratka**
 - ! **nakon isključivanja uređaja brusna ploča se još uvijek okreće nekoliko sekundi**
- Držanje i vođenje uređaja ⑦
 - ! **alat kod primjene, držati samo na sivo označenim područjima**
 - uređaj čvrsto držite s obje ruke, kako bi ga uvijek imali pod kontrolom

- paziti na siguran i stabilan položaj tijela
- ! **ne djelovati tolikim pritiskom na uređaj kod rada da se on zaustavi pod opterećenjem**
- otvore za strujanje zraka L ③ držite nepokriveno

ODRŽAVANJE / SERVISIRANJE

- Zaštite alat od udaraca, potresanja i zamašćivanja
- Održavajte čistim uređaj i kabel (osobito otvore za hlađenje L ③)
 - ! **prije čišćenja treba izvući mrežni utikač**
 - ! **ne pokušavajte tako čistiti da oštar predmet stavljate kroz prezeze**
- Ako bi uređaj unatoč brižljivih postupaka izrade i ispitivanja ipak prestao raditi, popravak treba prepustiti ovlaštenom servisu za SKIL električne alate
 - uređaj treba **nerastavljeno** predati, zajedno s računom o kupnji u najbližu SKIL ugovornu servisnu radionicu (popise servisa, kao i oznake rezervnih dijelova uređaja možete naći na adresi www.skilmasters.com)

ZAŠTITA OKOLIŠA

- **Električne alate, pribor i ambalažu ne bacajte u kućni otpad** (samo za EU-države)
 - prema Europskoj direktivi 2002/96/EG o staroj električnoj i elektroničkoj opremi i njenoj primjeni u skladu sa nacionalnim zakonom, istrošeni električni alati moraju se sakupljati odvojeno i odvesti u posebne pogone za reciklažu
 - na to podsjeća simbol ⑥ kada se javi potreba za odlaganjem

DEKLARACIJA O SUKLADNOSTI CE

- Izjavljujemo uz punu odgovornost da je ovaj proizvod opisan u "Tehnički podaci" usklađen sa sljedećim normama ili normativnim dokumentima: EN 60745, EN 61000, EN 55014, prema odredbama smjernica 2004/108/EG, 2006/42/EG, 2011/65/EU
- **Tehnička dokumentacija se može dobiti kod:** SKIL Europe BV (PT-SEU/ENG1), 4825 BD Breda, NL

Marijn van der Hoofden Olaf Dijkgraaf
Operations & Engineering Approval Manager



SKIL Europe BV, 4825 BD Breda, NL

19.08.2013

BUCI/VIBRACIJAMA

- Mjereno prema EN 60745 prag zvučnog tlaka ovog električnog alata iznosi 86 dB(A) a jakost zvuka 97 dB(A) (standardna devijacija: 3 dB), a vibracija 8,5 m/s² (postupkom na šaci-ruci; nesigurnost K = 1,5 m/s²)
- Razina emitiranja vibracija izmjerena je sukladno normiranom testu danom u EN 60745; ona se može koristiti za usporedbu jedne alatke s drugom, te preliminarnu procjenu izloženosti vibracijama pri uporabi alatke za navedene namjene

- uporaba ove alatke za druge namjene ili s drugim ili slabo održanim nastavcima, može u značajnoj mjeri **uvećati** razinu izloženosti
 - vrijeme tokom kojega je alatka isključena, ili je uključena ali se njome ne radi, može značajno **umanjiti** razinu izloženosti
- ! zaštitite se od posljedica vibracija održavanjem alatke i njezinih nastavaka, održavanjem Vaših ruku toplima, te organiziranjem Vaših obrazaca rada**

SRB

Alat za glačanje

9955

UPUTSTVO

- Ovaj alat je namenjen za glačanje metala, plastike i obloženih površina kao i za glačanje materijala od kamena bez upotrebe vode
- Pažljivo pročitajte i sačuvajte ova uputstva za rukovanje ^②

TEHNIČKI PODACI ^①

ELEMENTI ALATA ^③

- A Pomoćna ručica
- B Pomoćna ručica (tip D)
- C Imbus ključa
- D Vreteno
- E Potporni jastučići (VELCRO)
- F Dugme za zaključavanje vretana
- G Poklopac sa vunom
- H Prekidač za uključivanje/isključivanje
- J Dugme za zaključavanje prekidača za uključivanje/isključivanje
- K Točak za kontrolu maksimalne brzine
- L Prorezi za hlađenje

SIGURNOST

OPŠTA UPUTSTVA O SIGURNOSTI

PAŽNJA! Čitajte sva upozorenja i uputstva. Propusti kod pridržavanja upozorenja i uputstava mogu imati za posledicu električni udar, požar i/ili teške povrede. **Čuvajte sva upozorenja i uputstva za budućnost.** Pojam upotrebljen u upozorenjima "električni alat" odnosi se na električne alate sa radom na mreži (sa mrežnim kablom) i na električne alate sa radom na akumulator (bez mrežnog kabla).

1) SIGURNOST NA RADNOM MESTU

- a) **Držite Vaše područje rada čisto i pospremljeno.** Nered ili neosvetljena radna područja mogu voditi nesrećama.
- b) **Ne radite sa aparatom u okolini ugroženoj od eksplozija u kojoj se nalaze zapaljive tečnosti, gasovi ili prašine.** Električni alati proizvode varnice, koje mogu zapaliti prašinu ili isparenja.

c) **Za vreme korišćenja električnog alata držite podalje decu i druge osobe.** Kod skretanja možete izgubiti kontrolu nad aparatom.

2) ELEKTRIČNA SIGURNOST

- a) **Utikač za priključak aparata mora odgovarati utičnoj kutijici. Utikač se nesme nikako menjati. Ne upotrebljavajte adaptere utikača zajedno sa aparatima sa uzemljenom zaštitom.** Ne promenjeni utikači i odgovarajuće utičnice smanjuju rizik od električnog udara.
- b) **Izbegavajte telesni kontakt sa uzemljenim gornjim površinama, kao što su cevi, grejanja, šporeti i rashladni ormani.** Postoji povećani rizik od električnog udara, ako je Vaše telo uzemljeno.
- c) **Držite aparat podalje od kiše ili vlage.** Prodiranje vode u električni aparat povećava rizik od električnog udara.
- d) **Ne koristite kabl da bi aparat nosili, obesili ili ga izvlačili iz utičnice. Držite kabl dalje od vreline, ulja, oštih ivica ili pokretnih delova aparata.** Oštećeni ili zamršeni kablovi povećavaju rizik od elektrinog udara.
- e) **Ako sa nekim električnim alatom radite u prirodi, upotrebljavajte samo produžne kablove koji su dozvoljeni za spoljno područje.** Upotreba produžnog kabla pogodnog za spoljno područje smanjuje rizik od električnog udara.
- f) **Ako rad električnog alata ne može da se izbegne u vlažnoj okolini, koristite prekidač strujne zaštite pri kvaru.** Upotreba prekidača strujne zaštite pri kvaru smanjuje rizik od električnog udara.

3) SIGURNOST OSOBA

- a) **Budite pažljivi, pazite na to, šta radite i idite razumno na posao sa električnim alatom. Ne upotrebljavajte aparat, kada ste umorni ili pod uticajem droga, alkohola ili lekova.** Momenat nepažnje kod upotrebe aparata može voditi do ozbiljnih povreda.
- b) **Nosite ličnu zaštitnu opremu i uvek zaštitne naočare.** Nošenje lične zaštitne opreme, kao maske za prašinu, sigurnosne cipele koje ne klizaju, zaštitni šlem ili zaštitu za sluh, zavisno od vrste i upotrebe električnog alata, smanjujete rizik od povreda.
- c) **Izbegavajte nenamerno puštanje u rad. Uverite se da je električni alat isključen, pre nego što ga priključite na struju i/ili na akumulator, uzmete ga ili nosite.** Ako prilikom nošenja električnog alata držite prst na prekidaču ili aparat uključuje priključujete na struju, može ovo voditi nesrećama.
- d) **Uklonite alate za podešavanje ili ključeve za zavrtnje, pre nego što uključite aparat.** Alat ili ključ koji se nalazi u delu aparata koji se okreće, može voditi povredama.
- e) **Ne preценjujте себе. Pobrnite se da sigurno stojite i održavajte u svako doba ravnotežu.** Na taj način možete bolje kontrolisati aparat u neočekivanim situacijama.
- f) **Nosite pogodno odelo. Ne nosite široko odelo ili nakit. Držite kosu, odelo i rukavice podalje od pokretnih delova.** Opušteno odelo, nakit ili duža kosa mogu biti zahvaćeni od rotirajućih delova.
- g) **Ako se mogu montirati uređaji za usisavanje prašine i uređaji za hvatanje prašine, uverite se da**

Ili su priključeni i ispravno koriste. Upotreba usisavanja prašine može smanjiti opasnosti od prašine.

4) BRIŽLJIVO OPHODJENJE I KORIŠĆENJE ELEKTRIČNIH ALATA

- a) **Ne preopterećujte aparat. Upotrebljavajte za Vaš posao električni alat određen za to.** Sa odgovarajućim električnim alatom radićete bolje i sigurnije u navedenom području rada.
- b) **Ne upotrebljavajte električni alat, čiji je prekidač u kvaru.** Električni alat koji više ne može da se uključi ili isključiti je opasan i mora da se popravi.
- c) **Izvućite utikač iz utičnice i/ili uklonite akumulator pre nego što preduzmete podešavanja na aparatu, promenu delova pribora ili ostavite aparat.** Ova mera opreza sprečava nenameran start aparata.
- d) **Čuvajte nekorišćene električne alate izvan domašaja dece. Ne dopustite osobama da koriste aparat, koje ga ne poznaju ili nisu pročitale ova uputstva.** Električni alati su opasni, ako ih koriste neiskusne osobe.
- e) **Održavajte aparat brižljivo. Kontrolišite, da li pokretni delovi aparata funkcionišu besprekorno i ne slepljuju, da li su delovi slomljeni ili tako oštećeni, da je funkcija aparata oštećena. Popravite oštećene delove pre upotrebe aparata.** Mnoge nesreće imaju svoj uzrok u loše održavanim električnim alatima.
- f) **Držite alate za sečenja oštre i čiste.** Brižljivo negovani alati za sečenje sa oštrim sečivima manje slepljuju i lakše se vode.
- g) **Upotrebljavajte električne alate, pribor, alate koji se umeću itd. prema ovim uputstvima. Obratite pažnju pritom na uputstva za rad i posao koji treba izvesti.** Upotreba električnih alata za druge od propisanih namena može voditi opasnim situacijama.

5) SERVIS

- a) **Neka Vam Vaš aparat popravljiva samo kvalifikovano stručno osoblje i samo sa originalnim rezervnim delovima.** Na taj način se obezbeđuje da oстане sačuvana sigurnost aparata.

SIGURNOSNA UPUTSTVA ZA ALATE ZA GLAČANJE

1) UPUTSTVA ZA BEZBEDAN RAD ZA SVE PRIMENE

- a) **Ovaj električni alat je predviđen da se koristi kao mašina za glačanje. Obratite pažnju na sva upozorenja, uputstva, prikaze i podatke, koje dobijate sa električnim priborom.** Ako ne obraćate pažnju na sledeća uputstva, može doći do električnog udara, požara i / ili teških povreda.
- b) **Ovaj električni uređaj se ne preporučuje za brušenje, šmirglanje, žičano četkanje ili postupke rezanja.** Postupci za koje električni uređaj nije predviđen mogu da prouzrokuju opasnost i povredu.
- c) **Ne dopustite otpuštene delove na haubi za poliranje, posebno stezače. Dobro namestite ili skratite stezače.** Otpušteni i stezač koji se zajedno okreće može zahvatiti Vaše prste ili se uvrnuti u radnom komadu.
- d) **Ne upotrebljavajte pribor koji od proizvođača nije specijalno predviđen i preporučen za ovaj električni pribor.** Samo zato što možete pribor pričvrstiti na Vašem električnom priboru ne garantuje sigurnu upotrebu.

- e) **Dozvoljeni broj obrtaja upotrebljenog pribora mora najmanje da bude velik, koliko i navedeni najveći obrtaji na električnom priboru.** Pribor koji se okreće brže od dozvoljenog, može se uništiti.
- f) **Spoljni presek i debljina upotrebljenog pribora moraju odgovarati mernim podacima Vašeg električnog pribora.** Pogrešno izmeren upotrebljeni pribor ne može se dovoljno zaštititi ili kontrolisati.
- g) **Upotrebljeni alati sa navojem moraju tačno odgovarati navojem brusnog vretena. Kod upotrebljenih alata, koji se montiraju pomoću prirubnice, mora presek otvora upotrebljenog alata da odgovara preseku prihvaća na prirubnici.** Upotrebljeni alati koji se ne pričvršćuju tačno na električnom alatu, se okreću neravnomerno, vibriraju veoma jako i mogu uticati na gubitak kontrole.
- h) **Ne koristite oštećene upotrebljene pribore.** Pre svakog korišćenja prokontrolišite upotrebljene pribore da li su zacepljeni i naprsli, brusni diskovi naprsli, izlizani ili jako pohabani, žičane četke da li imaju slobodnih ili polomljenih žica. Ako električni pribor ili upotrebljeni pribor padne dole, prokontrolišite da li je oštećen ili upotrebljavajte neoštećen pribor. Ako ste uzeti pribor prokontrolisali i upotreblili, držite se kao i osobe koje se nalaze u blizini izvan ravni upotrebljenog pribora koji se okreće i pustite električni pribor da jedan minut radi sa najvećim obrtajima. Oštećeni upotrebljeni pribori uglavnom se u ovom vremenu probe lome.
- i) **Nosite ličnu zaštitnu opremu ④. Koristite zavisno od namene zaštitu za celo lice, zaštitu za oči ili zaštitne naočare. Ako odgovara nosite masku za prašinu, zaštitu za sluh, zaštitne cipele ili specijalnu kećelju, koja će male čestice od brušenja i materijala držati dalje od Vas.** Oči moraju biti zaštićene od stranih tela koja lete okolo, koja nastaju kod raznih upotreba. Maska za prašinu i maska za disanje moraju filtrirati prašinu koja nastaje prilikom upotrebe. Ako ste izloženi dugoj galami, možete izgubiti sluh.
- j) **Pazite kod drugih osoba na sigurno rastojanje do Vašeg radnog područja. Svako, ko udje u radno područje, mora nositi ličnu zaštitnu opremu.** Polomljeni delovi radnog komada ili polomljeni upotrebljeni pribori mogu leteti i prouzrokovati povrede i izvan direktnog radnog područja.
- k) **Držite podalje mrežni kabl od rotirajućeg upotrebljenog pribora.** Ako izgubite kontrolu nad električnim priborom, može se preseći mrežni kabl ili može da zahvati i Vašu ruku ili Vaša šaka dospeti u električni pribor koji se okreće.
- l) **Ne ostavljajte nikada električni pribor pre nego se upotrebljeni pribor potpuno umiri.** Električni pribor koji se okreće može doći u kontakt sa površinom za odlaganje, usled čega se može izgubiti kontrola nad električnim priborom.
- m) **Ne ostavljajte električni pribor da radi, dok ga nosite.** Vaše odelo može biti zahvaćeno slučajnim kontaktom sa električnim priborom koji se okreće i upotrebljeni pribor može se zabit u Vaše telo.
- n) **Čistite redovno proreze za ventilaciju Vašeg električnog pribora.** Motorna duvaljka vuče prašinu u

kušite i veće sakupljanje metalne prašine može prouzrokovati električnu opasnost.

- o) **Ne upotrebljavajte električni pribor u blizini zapaljivih materijala.** Varnice mogu zapaliti ove materijale.
 - p) **Ne koristite upotrebjene pribore koji zahtevaju tečna rashladna sredstva.** Upotreba vode ili drugih tečnih rashladnih sredstava može voditi električnom udaru.
- 2) POVRATNI UDARAC I ODGOVARAJUĆA UPOZORENJA**
- Povratni udarac je iznenadna reakcija usled rotirajućeg upotrebjenog pribora koji zapinje ili blokira, kao brusna ploča, brusni disk, žičana četka itd. Zakačivanje ili blokiranje vode do zaustavljanja sa trzajem rotirajućeg električnog pribora. Na taj način se nekontrolisani električni pribor ubrzava u pravcu smeru okretanja električnog pribora na mestu blokade.
 - Ako naprimer neka brusna ploča zapinje ili blokira u radnom komadu, može se ivica brusne ploče koja uranja u radni komad uvrnuti i usled toga brusna ploče prouzrokovati lomljenje ili povratan udarac. Brusna ploča se onda kreće na osobu koja radi ili od nje, zavisno od smeru okretanja ploče na mestu blokiranja. Pritom se brusne ploče mogu i slomiti.
 - Povratan urarac je posledica pogrešne ili manjkave upotrebe električnog pribora. On se može sprečiti pogodnim merama opreza, kao što je dalje opisano.
- a) **Držite čvrsto električni pribor i dovedite Vaše telo i Vaše ruke u poziciju, u kojoj možete prihvatiti sile povratnog udara. Upotrebljavajte uvek dodatnu dršku, ako postoji, da bi imali što više moguću kontrolu nad silama povratnog udara ili nad reakcionim momentom u visokim obrtajima.** Radnik može savladati pogodnim merama opreza sile povratnog udara i reakcije.
 - b) **Ne gurajte nikada Vašu ruku u blizinu rotirajućeg upotrebjenog pribora.** Upotrebjeni pribor se može kod povratnog udara kretati preko Vaše ruke.
 - c) **Izbegavajte sa Vašim telom područje, u koje bi se kod povratnog udara električni pribor kretao.** Povratan udarac tera električni pribor u pravcu suprotnom od kretanja brusne ploče na blokiranju strani.
 - d) **Radite posebno oprezno u području uglova, oštrih ivica itd. Sprečite da se upotrebjeni pribori odbiju od radnog komada i „slepe“.** Rotirajući upotrebjeni pribor naginje kod uglova, oštrih ivica ili ako se odbije, tome, da „slepljuje“. Ovo prouzrokuje gubitak kontrole ili povratan udarac.
 - e) **Ne koristite lančani ili nazubljeni list testere.** Takvi upotrebjeni pribori prouzrokuju često povratan udarac ili gubitak kontrole nad električnim priborom.

OPŠTA

- Koristite ovaj alat samo za suvo glačanje
- Koristite samo obode koje ste dobili uz ovaj alat
- Ovaj alat ne treba da koristite osobe ispod 16 godina
- **Obavezno iskopčajte alat iz električne utičnice pre nego što izvršite bilo kakva podešavanja ili zamenu pribora**
- **Ne obradjujte nikakav materijal koji sadrži azbest** (azbest važi kao izazivač raka)

PRIBOR

- SKIL može priznati garanciju samo ukoliko je korišćen odgovarajući pribor koji možete da nabavite kod svog SKIL prodavca
- Za postavljanje i korišćenje pribora koji nisu SKIL, pogledajte uputstva proizvođača
- Koristite samo pribor čija je dozvoljena brzina u najmanju ruku jednaka najvećoj brzini pri praznom hodu električnog alata
- Nikada ne koristite pribor sa otvorom sa "slepim" navojem manjim od M14 x 21 mm
- Nemojte da koristite oštećen, deformisan ili vibrirajući pribor

KORIŠĆENJE NA OTVORENOM

- Prilikom primene alata napolju, priključite ga preko FI sklopke sa strujom isključenja od maksimalnih 30mA i koristite samo jedan produžni gajtan, koji je dredvičen za korišćenje na otvorenom i koji ima utikač zaštićen od prodora vode

PRE UPOTREBE

- Uvek se uverite da je napon struje isti kao i napon naveden na pločici sa nazivom alatu (alati na kojima je naveden napon od 230V ili 240V mogu da rade i na 220V)
- Obavezno postavite pomoćnu ručicu A ③ ili B ③; alat nemojte nikada da koristite bez nje
- Prašina od materijala, kao što su boja koja sadrži olovo, neke vrste drveta, minerali i metal, može biti opasna (dodir ili udisanje prašine može prouzrokovati alergijske reakcije i/ili respiratorna oboljenja rukovaoca i lica u blizini); **nosite masku protiv prašine i radite uz uključeni uređaj za ekstrakciju prašine kada radite na mestima gde ju je moguće priključiti**
- Određene vrste prašine su klasifikovane kao kancerogene (kao što su prašina hrastovine i bukovine), posebno na sadejstvu sa aditivima za pripremu drveta; **nosite masku protiv prašine i radite uz uključeni uređaj za ekstrakciju prašine kada radite na mestima gde ju je moguće priključiti**
- Prati nacionalne propise vezane za prašinu koja se proizvodi prilikom rada na obrađivanim materijalima
- **Obezbedite radni predmet** (radni predmet stegnut pomoću stega ili nečeg sličnog je mnogo stabilniji nego kada se drži rukom)
- Nemojte da pričvršćujete alat u stegu
- Produžni kabl koji koristite mora da bude sasvim odmotan i siguran, sa kapacitetom od 16 A

TOKOM UPOTREBE

- Prilikom rada alat treba držati sa obe ruke i zauzeti siguran stav
- Kabl uvek držite podalje od pokretnih delova alata; uvek ga treba držati iza alata
- Ako se kabl ošteti ili preseče u toku rada, odmah ga iskopčajte i nemojte ga dodirivati
- Nikada nemojte da koristite alat ako je kabl oštećen; zamenu kabla mora da obavi stručno lice
- U slučaju da dođe do električnog ili mehaničkog kvara, odmah isključite alat i iskopčajte ga iz utičnice
- Ukoliko dođe do nestanka struje ili ako se utikač slučajno izvuče, otpustite prekidač H ③ da biste sprečili nekontrolisano ponovno pokretanje

NAKON UPOTREBE

- Kada završite rad sa alatom, isključite motor i proverite da li su se zaustavili svi pokretni delovi
- Nakon isključivanja električnog alata, nikada nemojte da zaustavljate obrtanje pribora primenom bočne sile

UPUTSTVO ZA KORIŠĆENJE

- Postavljanje pomoćne ručice ⑤
 - ! **iskopčajte utikač**
 - pričvrstite pomoćnu ručicu A sa leve ili sa desne strane alata (u zavisnosti od vrste rada)
 - postavite pomoćnu ručicu B kao na crtežu i sa imbus ključem stegnite oba isporučena zavrtnja C
- Postavljanje pribora ③
 - ! **iskopčajte utikač**
 - očistite vreteno D i sve delove koje ćete postaviti
 - zavrnite VELCRO podložnu pločicu E na osovinu D istovremeno pritiskajući dugme za blokiranje osovine F
 - ! **dugme za zaključavanje vretena F pritisnite kada se vreteno D sasvim zaustavi**
 - jednostavno pritisnite vunenu kapicu G na VELCRO podložnu pločicu E
 - za skidanje pribora držati naopacke
- Pre korišćenja električnog alata
 - proverite da li je pribor ispravno postavljen i snažno pričvršćen
 - proverite da li pribor može da se pomeri, tako što ćete ga ručno pokrenuti
 - probno pokrenite alat najmanje 30 sekundi na najvećoj brzini pri praznom hodu i u sigurnom položaju
 - odmah prekinite rad ukoliko dođe do većih vibracija ili drugih nepravilnosti u radu i pregledajte alat, da biste odredili uzrok
- Uključivanje/isključivanje
 - uključite/isključite alat povlačenjem/optuštanjem obarača H ③
- Elektronsko postepeno pokretanje
Omogućava lagano dostizanje maksimalne brzine, bez iznenadnih udara pri uključivanju električnog alata
- Učvršćivanje prekidača za stalno bušenje
 - povucite obarač H
 - pritisnite dugme J palcem
 - otključajte prekidač ponovnim povlačenjem obarača H i optuštanjem
- Kontrola brzine ⑥
 - točkom K možete podesiti maksimalnu brzinu od niskog do visokog stepena (1-MAX)
 - počnite sa točkićem K u položaju 1 (manja brzina)
 - ako je potrebno, izaberite veću brzinu dok alat radi
 - optimalna radna brzina zavisi od materijala i može se utvrditi praktičnim pokušajima
- Rukovanje alatom
 - uključite alat
 - postavite alat potpuno na površinu koja treba da se glača i pomerajte ga ravnomerno po delovima
 - jedan pokret treba da preklopi prethodni pokret za jednu polovinu
 - nemojte se zaustavljati na jednom mestu da biste izbegli pregorevanje obloge
 - nemojte pomerati alat u krugovima da biste izbegli prljanje ili pregorevanje obloge

! **uređaj treba da ga podignete sa područja rada pre nego što ga isključite**

! **pribor se okreće još neko vreme nakon što se električni alat isključuje**

- Držanje i upravljanje alata ⑦

! **dok radite, uvek držite alat za mesto(a) koje(a) su označena sivom bojom**

- električni alat uvek snažno držite obema rukama, tako da u svakom trenutku imate punu kontrolu nad njim
- uvek budite u sigurnom stavu

! **nemojte mnogo da pritiskate električni alat da ne bi došlo do prestanka rada**

- prerezi za hlađenje L ③ moraju da budu otvoreni

ODRŽAVANJE / SERVIS

- Zaštitiite pribor od potresa, udara i masnih površina
- Alat i kabl uvek održavajte čistim (posebno otvore za hlađenje L ③)
 - ! **pre čišćenja iskopčajte kabl iz utičnice**
 - ! **ne pokušavajte da očistite prereze za hlađenje umetanjem oštih predmeta kroz otvore**
- Ako bi alat i pored brižljivog postupka izrade i kontrole nekada otkazao, popravku mora vršiti neki autorizovani servis za SKIL-električne alate
 - pošaljite **nerastavljeni** alat zajedno sa potvrdom o kupovini vašem nabavljaču ili najbližem SKIL servisu (adrese i oznake rezervnih delova možete naći na www.skilmasters.com)

ZAŠTITA OKOLINE

- **Električne alate, pribora i ambalaže ne odlažite u kućne otpatke** (samo za EU-države)
 - prema Europskoj direktive 2002/96/EG o staroj električnoj i elektronskoj opremi i njenoj upotrebi u skladu sa nacionalnim pravom, električni alati koji su istrošeni moraju biti sakupljeni odvojeno i dostavljeni pogonu za reciklažu
 - simbol ⑧ će vas podsetiti na to

DEKLARACIJA O USKLAĐENOSTI CE

- Izjavljujemo na vlastitu odgovornost da je pod "Tehnički podaci" opisani proizvod usaglašen sa sledećim standardima ili normativnim aktima: EN 60745, EN 61000, EN 55014 prema odredbama smernica 2004/108/EG, 2006/42/EG, 2011/65/EU
- **Tehnička dokumentacija kod:** SKIL Europe BV (PT-SEU/ENG1), 4825 BD Breda, NL

Marijn van der Hoofden
Operations & Engineering

Olaf Dijkgraaf
Approval Manager

SKIL Europe BV, 4825 BD Breda, NL

19.08.2013

BUKA/VIBRACIJE

- Mereno u skladu sa EN 60745 nivo pritiska zvuka ovog alata iznosi 86 dB(A) a jačina zvuka 97 dB(A) (normalno odstupanje: 3 dB), a vibracija 8,5 m/s² (mereno metodom na šaci-ruci; nesigurnost K = 1,5 m/s²)
 - Nivo emisije vibracija izmeren je u skladu sa standardizovanim testom datim u EN 60745; on se može koristiti za upoređenje jedne alatke sa drugom, kao i za preliminarnu procenu izloženosti vibracijama pri korišćenju ove alatke za pomenute namene
 - korišćenje alatke u drugačije svrhe ili sa drugačijim ili slabo održanim nastavcima može značajno **povećati** nivo izloženosti
 - vreme kada je alatka isključena ili kada je uključena, ali se njome ne radi, može značajno **smanjiti** nivo izloženosti
- ! zaštitite se od posledica vibracija održavanjem alatke i njenih nastavaka, održavajući Vaše ruke toplim i organizovanjem Vaših radnih obrazaca**

SL0

Polirnik

9955

UVOD

- Orodje je namenjeno poliranju kovinskih, plastičnih in barvanih površin ter kamnitih materialov brez uporabe vode
- Preberite in shranite navodila za uporabo ②

TEHNIČNI PODATKI ①

DELI ORODJA ③

- A Pomožna ročka
- B Pomožna ročka (tip D)
- C Imbus ključ
- D Vreteno
- E Brusilni krožnik (VELGRO)
- F Gumb za blokado vretena
- G Volnena kapa
- H Stikalo vklopi/izklopi
- J Gumb za aretacijo stikala za vklop/izklop
- K Kolo za nastavitev maksimalne hitrosti
- L Ventilacijske reže

VARNOST

SPLOŠNA VARNOSTNA NAVODILA

⚠ OPOZORILO! Preberite vsa opozorila in napotila. Napake zaradi neupoštevanja spodaj navedenih opozoril in napotil lahko povzročijo električni udar, požar in/ali težke telesne poškodbe. **Vsa opozorila in napotila shranite, ker jih boste v prihodnje še potrebovali.** Pojem "električno orodje", ki se pojavlja v nadaljnjem besedilu, se nanaša na električna orodja z električnim pogonom (z električnim kablom) in na akumulatorska električna orodja (brez električnega kabla).

1) VARNOST NA DELOVNEM MESTU

- a) **Poskrbite, da bo Vaše delovno mesto vedno čisto in urejeno.** Nered ali neosvetljena delovna področja lahko povzročijo nezgode.
- b) **Prosimo, da orodja ne uporabljate v okolju, kjer je nevarnost za eksplozije in v katerem se nahajajo gorljive tekočine, plini in prah.** Električna orodja povzročajo iskre, zato se gorljivi prah ali pare lahko vnamejo.
- c) **Ne dovolite otrokom in drugim osebam, da bi se medtem ko delate, približali električnemu orodju.** Druge osebe lahko odvrnejo Vašo pozornost drugam in izgubili boste nadzor nad orodje.

2) ELEKTRIČNA VARNOST

- a) **Vtič mora ustrezati električni vtičnici in ga pod nobenim pogojem ne smete spreminjati. Uporaba adapterskih vtičev v kombinaciji z ozemljena orodja ni dovoljena.** Originalni oziroma nespremenjeni vtiči in ustrezne vtičnice zmanjšujejo tveganje električnega udara.
- b) **Izogibajte se telesnemu stiku z ozemljenimi površinami, na primer s cevmi, grelci, štedilniki in hladilniki.** Če je ozemljeno tudi vaše telo, obstaja povečano tveganje električnega udara.
- c) **Zavarujte orodje pred dežjem ali vlago.** Vdor vode v električno orodje povečuje tveganje električnega udara.
- d) **Električnega kabla ne uporabljajte za prenašanje ali obežanje orodja in ne vlecite vtič iz vtičnice tako, da vlečete za kabel. Zavarujte kabel pred vročino, oljem, ostrimi robovi in premikajočimi se deli orodja.** Poškodovani ali prepleteni kabli povečujejo tveganje električnega udara.
- e) **Če z električnim orodjem delate na prostem, uporabljajte izključno kabelski podaljšek, ki je atestiran za delo na prostem.** Uporaba kabelskega podaljška, primerne za delo na prostem, zmanjšuje tveganje električnega udara.
- f) **Če je uporaba električnega orodja v vlažnem okolju neizogibna, uporabljajte prekinjevalec električnega tokokroga.** Prekinjevalca električnega tokokroga zmanjšuje tveganje električnega udara.

3) OSEBNA VARNOST

- a) **Bodite zbrani in pazite, kaj delate. Dela z električnim orodjem se lotite razumno. Nikoli ne uporabljajte orodja, če ste utrujeni in če ste pod vplivom mamil, alkohola ali zdravil.** En sam trenutek nepazljivosti pri uporabi orodja ima lahko za posledico resne telesne poškodbe.
- b) **Uporabljajte osebna zaščitna sredstva in vedno nosite zaščitna očala.** Uporaba osebnih zaščitnih sredstev, na primer maske proti prahu, nedrsečih zaščitnih čevljev, zaščitne čelade in slušnikov, odvisno od vrste in uporabe električnega orodja, zmanjšuje tveganje telesnih poškodb.
- c) **Izogibajte se nenamernemu zagonu. Pred priključitvijo električnega orodja na električno omrežje in/ali na akumulator in pred dviganjem ali nošenjem se prepričajte, če je električno orodje izklopljeno.** Prenašanje naprave s prstom na stikalo ali priključitev vklopljenega električnega orodja na električno omrežje je lahko vzrok za nezgodo.

- d) **Pred vklopom orodja odstranite z nje nastavitvena orodja ali vijaki ključ.** Orodje ali ključ, ki se nahajata na vrtečem se delu električnega orodja, lahko povzročita nezgodo.
- e) **Ne precenjujte se in poskrbite za varno stojišče in stalno ravnotežje.** Tako boste lahko v nepričakovani situaciji bolje obvladali orodje.
- f) **Nosite primerno obleko, ki naj ne bo preohlapna. Ne nosite nakita. Lasje, oblačilo in rokavice naj se ne približujejo premikajočim se delom orodja.** Premikajoči se deli orodja lahko zgrabijo ohlapno obleko, nakit, ali dolge lase.
- g) **Če je možno na orodje namestiti priprave za odsesavanje in prestrezanje prahu, prepričajte se, ali so le-te priključene in, če jih pravilno uporabljate.** Uporaba priprave za odsesavanje prahu zmanjšuje zdravstveno ogroženost zaradi prahu.
- 4) RAVNANJE IN NEGA ROČNEGA ORODJA**
- a) **Ne preobremenjujte orodja. Za določeno delo uporabljajte električno orodje, ki je predvideno za opravljanje tega dela.** Z ustreznim električnim orodjem boste delo opravili bolje in varneje, ker je bilo v ta namen tudi konstruirano.
- b) **Električno orodje, ki ima pokvarjeno stikalo, ne uporabljajte.** Električno orodje, ki ga ni možno vklopiti ali izklopiti, je nevarno in ga je potrebno popraviti.
- c) **Pred nastavljanjem naprave, zamenjavo delov pribora ali odlaganjem naprave izvlecite vtičač iz električne vtičnice in/ali odstranite akumulator.** Ta previdnostni ukrep onemogoča nepredviden zagon orodja.
- d) **Kadar orodja ne uporabljate ga shranjujte izven dosega otrok. Osebam, ki orodja ne poznajo ali niso prebrale teh navodil, orodja ne dovolite uporabljati.** Električna orodja so nevarna, če jih uporabljajo neizkušene osebe.
- e) **Skrbno negujte orodje. Preverite, če premikajoči se deli orodja delujejo brezhibno in če se ne zatikajo, oziroma, če kakšen del orodja ni zlomljen ali poškodovan do te mere, da bi oviral njegovo delovanje. Pred nadaljnjo uporabo je potrebno poškodovani del popraviti.** Vzrok za številne nezgode so ravno slabo vzdrževana električna orodja.
- f) **Rezalna orodja naj bodo ostra in čista.** Skrbno negovana rezalna orodja z ostrimi rezili se manj zatikajo in so bolj vodljiva.
- g) **Električna orodja, pribor, nastavke in podobno uporabljajte v skladu s temi navodili. Pri tem upoštevajte delovne pogoje in vrsto dela, ki ga nameravate opraviti.** Zaradi uporabe električnega orodja v druge, nepredvidene namene, lahko nastanejo nevarne situacije.
- 5) SERVIS**
- a) **Popravilo orodja lahko opravi samo usposobljena strokovna oseba in to izključno z originalnimi nadomestnimi deli.** Le tako bo ohranjena nadaljnja varnost orodja.

VARNOSTNA NAVODILA ZA POLIRNIKE

1) VARNOSTNA NAVODILA ZA VSE DELOVNE OPERACIJE

- a) **To električno orodje se lahko uporablja kot polirnik. Upoštevajte vsa opozorila, navodila, slikovne prikaze in podatke, ki ste jih prejeli skupaj z električnim orodjem.** Zaradi nespoštovanja spodaj navedenih navodil lahko pride do električnega udara, požara in/ali težkih telesnih poškodb.
- b) **Orodje ni primerno za glajenje, brušenje, krtačenje ali rezanje.** Uporaba električnega orodja v nepredvidene namene lahko privede do nevarnih situacij in telesnih poškodb.
- c) **Polirna kapa ne sme imeti nobenih opletajočih delov, kar še posebno velja za pritrdilne trakove. Pritrdilne trakove spravite ali skrajšajte.** Opletajoči pritrdilni trakovi, ki se vrtijo skupaj s polirno kapo, lahko zagrabijo Vaše prste ali se zapletejo v obdelovanec.
- d) **Ne uporabljajte pribora, ki ga proizvajalec za to orodje ni specialno predvidel in katerega uporabe ne priporoča.** Zgolj dejstvo, da lahko nek pribor pritrdite na Vaše električno orodje, še ne zagotavlja varne uporabe.
- e) **Dovoljeno število vrtljajev vsadnega orodja mora znašati najmanj toliko, kolikor znaša najvišje število vrtljajev, ki je navedeno na električnem orodju.** Pribor, katerega hitrost vrtenja je večja od dovoljene, se lahko pokvari.
- f) **Zunanji premer in debelina vsadnega orodja morata ustrezati meram Vašega električnega orodja.** Napačno dimenzionirani vsadnih orodij ne boste mogli dovolj dobro zavarovati ali nadzorovati.
- g) **Vstavna orodja z navojnim vstavkom morajo natančno ustrezati navoju brusilnega vretena. Pri vstavnih orodjih, ki se montirajo s pomočjo prirobnice, mora premer luknje vstavnega orodja natančno ustrezati premeru prijemala prirobnice.** Vstavna orodja, ki jih ne pritrdite povsem natančno na električno orodje, se vrtijo neenakomerno, močno vibrirajo in lahko vodijo k izgubi nadzora nad orodjem.
- h) **Ne uporabljajte poškodovanih vsadnih orodij. Pred vsako uporabo preglejte brusilne kolute, če se ne luščijo oziroma če nimajo razpok, brusilne krožnike, če nimajo razpok oziroma če niso močno obrabljeni ali izrabljeni, žične ščetke pa, če nimajo zrahljanih ali odlomljenih žic. Če pade električno orodje ali vsadno orodje na tla, pogledjte, če ni poškodovano in uporabljajte samo nepoškodovana vsadna orodja. Po kontroli in vstavljanju vsadnega orodja se ne zadržujte v ravnini vrtečega se vsadnega orodja, kar velja tudi za druge osebe v bližini. Električno orodje naj eno minuto deluje z najvišjim številom vrtljajev. Poškodovana vsadna orodja se največkrat zlomijo med tem poizkusnim časom.**
- i) **Uporabljajte osebno zaščitno opremo ④. Odvisno od vrste uporabe si natakните zaščitno masko čez cel obraz, zaščitno za oči ali zaščitna očala. Če je potrebno, nosite zaščitno masko proti prahu, zaščitne glušnike, zaščitne rokavice ali specialni predpasnik , ki Vas bo zavaroval pred manjšimi delci materiala, ki nastajajo pri brušenju. Oči je treba**

zavarovati pred tujki, ki nastajajo pri različnih vrstah uporabe orodja in letijo naokrog. Zaščitna maska proti prahu ali dihalna maska morata filtrirati prah, ki nastaja pri uporabi. Predolgo izpostavljanje glasnemu hrupu ima lahko za posledico izgubo sluha.

- j) **Pazite, da bodo druge osebe varno oddaljene od Vašega delovnega območja. Vsak, ki stopi na delovno območje, mora nositi osebno zaščitno opremo.** Odlomljeni delci obdelovanca ali zlomljena vsadna orodja lahko odletijo stran in povzročijo telesne poškodbe, tudi izven neposrednega delovnega območja.
 - k) **Omrežnega kabla ne približujte vrtečemu se vsadnemu orodju.** Če izgubite nadzor nad električnim orodjem, lahko orodje prereže ali zagradi kabel, Vaša roka pa zaide v vrteče se vsadno orodje.
 - l) **Ne odlagajte električnega orodja, dokler se vsadno orodje popolnoma ne ustavi.** Vrteče se vsadno orodje lahko pride v stik z odlagalno površino, zaradi česar lahko izgubite nadzor nad električnim orodjem.
 - m) **Električno orodje naj medtem, ko ga prenašate naokrog, ne deluje.** Vrteče se vsadno orodje lahko zaradi naključnega kontakta zagradi Vaše oblačilo in se zavrti v Vaše telo.
 - n) **Prezračevalne reže električnega orodja morate redno čistiti.** Ventilator motorja povleče v ohišje prah in velika količina nabranega prahu je lahko vzrok za električno nevarnost.
 - o) **Ne uporabljajte električnega orodja v bližini gorljivih materialov.** Ti materiali se lahko zaradi iskenja vnamejo.
 - p) **Ne uporabljajte vsadnih orodij, ki za hlajenje potrebujejo tekočino.** Uporaba vode ali drugih tekočin lahko povzroči električni udar.
- 2) POVRATNI UDAREC IN USTREZNA OPOZORILA**
- Povratni udarec je nenadna reakcija, ki nastane zaradi zagodenja ali blokiranja vrtečega se vsadnega orodja, na primer brusilnega koluta, brusilnega krožnika, žične ščetke in podobnega. Zagodenje ali blokiranje ima za posledico takojšnjo ustavitve vrtečega se vsadnega orodja. Nekomolirano električno orodje se zaradi tega pospešeno premakne v smer, ki je nasprotna smeri vrtenja vsadnega orodja.
 - Če se na primer brusilni kolot zatakne ali zablokira v obdelovancu, se lahko rob brusilnega koluta, ki je potopljen v obdelovanec, zaplete vanj in brusilni kolot se odloži ali povzroči povratni udarec. Brusilni kolot se nato premakne proti uporabniku ali proč od njega, odvisno od smeri vrtenja brusilnega koluta na mestu blokiranja. Blokirni koloti se lahko pri tem tudi zlomijo.
 - Povratni udarec je posledica napačne ali pomanjkljive uporabe električnega orodja. Preprečite ga lahko z ustreznimi previdnostnimi ukrepi. Navedeni so v nadaljevanju besedila.
- a) **Dobro držite električno orodje in premaknite telo in roke v položaj, v katerem boste lahko prestregli moč povratnega udarca. Če je na voljo dodatni ročaj, ga obvezno uporabljajte in tako zagotovite najboljše možno nadziranje moči povratnih udarcev ali reakcijskih momentov pri zagonu orodja.** Z ustreznimi previdnostnimi ukrepi lahko uporabnik obvlada moč povratnih udarcev in reakcijskih momentov.

- b) **Nikoli z roko ne segajte v bližino vrtečih se vsadnih orodij.** V primeru povratnega udarca se lahko orodje premakne čez Vašo roko.
- c) **Ne približujte telesa področju, v katerega se lahko v primeru povratnega udarca premakne električno orodje.** Povratni udarec potisne električno orodje v smer, ki je nasprotna smeri premikanja brusilnega koluta na mestu blokiranja.
- d) **Posebno previdno delajte v kotih, na ostrih robovih in podobnih površinah. Preprečite, da bi vsadna orodja odskočila od obdelovanca in se zagodzila.** Vrteče se vsadno orodje se v kotih, na ostrih robovih ali če odskoči, zlahka zagodzi. To povzroči izgubo nadzora ali povratni udarec.
- e) **Ne uporabljajte verižnih ali nazobčanih žaginih listov.** Ta vsadna orodja pogosto povzročijo povratni udarec ali izgubo nadzora nad električnim orodjem.

SPLOŠNO

- Uporabljajte to orodje le za suho poliranje
- Uporabljajte le tiste prirobnice, ki so dobavljene skupaj z orodjem
- Orodja naj ne bi uporabljale osebe mlajše od 16 let
- **Vedno izvelcite električni vtičnik iz vtičnice preden spreminjate nastavitve ali menjate pribor**
- **Ne obdelujte materiala, ki vsebuje azbest** (azbest povzroča rakasta obolenja)

PRIBOR

- SKIL zagotavlja brezhibno delovanje orodja le z uporabo pravega dodatnega pribora, ki ga dobite pri SKIL-ovih trgovcih
- Pri uporabi in montaži ne SKIL-ovega pribora upoštevajte navodila proizvajalca uporabljenega pribora
- Uporabljajte lahko dodatni pribor, katerega dovoljena hitrost je najmanj enaka največji hitrosti orodja
- Ne uporabljajte pribora, ki ima manjšo luknjo kot jo zahteva vreteno M14 x 21 mm
- Ne uporabljajte poškodovanega, deformiranega ali vibrirajočega pribora

ZUNANJA UPORABA

- Pri uporabi na prostem, orodje priključite na posebno tokovo zaščitno FID z občutljivostjo toka max. 30 mA in uporabljajte podaljševalni kabel, ki je zasčiten proti vlagi

PRED UPORABO

- Vedno preverite, če je napetost omrežja enaka napetosti, ki je navedena na tablici orodja (orodje z nazivno napetostjo 230V ali 240V lahko priključite tudi na napetost 220V)
- Orodje vedno uporabljajte z nameščenim pomožnim ročajem A ③ ali B ③; orodja brez ročaja ne smete uporabljati
- Prah materialov, kot so barve, ki vsebujejo svinec, nekatere vrste lesa, mineralov ali kovin so lahko škodljivi (ob stiku ali vdihavanju lahko prah pri delavcu ali pri drugih prisotnih povzroči alergijsko reakcijo in/ali boleznih dihal); **nosite masko za prah in pri delu uporabljajte napravo za odsesavanje prahu, kjer je le-to možno priključiti**
- Nekatere vrste prahu so klasificirane kot kancerogene (kot npr. prah hrasta in bukke) še posebno ob sočasnih uporabi z dodatki za obdelavo lesa; **nosite masko za prah in pri delu uporabljajte napravo za odsesavanje prahu, kjer je le-to možno priključiti**

- Upoštevajte nacionalne zahteve glede prahu za materiale katere želite obdelovati
- **Zavarujte obdelovanec** (obdelovanec stisnjen v prižemi ali primeže je bolj varen kot v roki)
- Ne vpenjajte stroja v primež
- Uporabljajte povsem iztegnjene in varne električne podaljške, z jakostjo 16 amperov

MED UPORABO

- Med delom čvrsto držite orodje z obema rokama in si zagotovite stabilno in varno pozicijo
- Kabel naj bo vedno odmaknjen od gibljivih delov stroja; usmerite ga proti zadnjemu delu, stran od stroja
- Če je priključni kabel poškodovan ali se med delom pretrga se ga ne dotikajte, temveč takoj potegnite električni vtičnik iz vtičnice
- Nikoli ne uporabljajte orodja, če je kabel poškodovan; okvaro naj odpravi strokovnjak
- Če pride do električnih ali mehanskih okvar, takoj izklopite stroj in izvlcite vtičnik iz vtičnice
- V primeru prekinitve napetosti v omrežju ali, ko se vtičnik pomotoma iztakne, sprostite stikalo H ③ da preprečite nenadzorovan zagon pri ponovnem vklopu

PO UPORABI

- Preden orodje odložite, izključite stikalo in počakajte, da se vsi gibljivi deli popolnoma zaustavijo
- Po izključitvi stikala orodja nikoli ne ustavljajte vrtenja plošče s stranskim pritiskanjem

UPORABA

- Namestitev pomožnega ročaja ⑤
 - ! **izključite vtičnik**
 - stranski ročaj A se lahko privije na desno ali levo stran orodja (odvisno od dela)
 - pomožni ročaj namestite B v skladu z risbo, nato oba priložena vijaka trdno privijte z imbus ključem C
- Namestitev pribora ③
 - ! **izključite vtičnik**
 - očistite vreteno D in vse dele, ki bodo nameščeni
 - zadnjo blazinico z ježkom (VELCRO) E privijte na vreteno D, pri tem pa pritisnite gumb za zaklepanje vretena F
 - ! **pritisnite gumb za blokado vretena F le ko je vreteno D popolnoma mirujoče**
 - preprosto pritisnite volneni nastavek G na zadnjo blazinico z ježkom (VELCRO) E
 - pri demontaži pribora postopek ponovite in prirobno matico odvijajte
- Pred uporabo orodja
 - prepričajte se, da je pribor pravilno nameščen in čvrsto pritrjen
 - preverite z roko, če se nameščen pribor prosto vrti
 - napravite preizkusni zagon, tako, da vključite orodje na varnem mestu, za najmanj 30 sekund, pri največji hitrosti
 - pri močnih vibracijah ali drugih napakah, takoj izklopite orodje in ugotovite vzrok
- Vklp/izklop
 - izklopite/vklopite orodje tako, da pritisnete/sprostite stikalo H ③
- Elektronski mehki zagon
 - Pri vklopu zagotavlja mehak zagon in doseganje maksimalne hitrosti brez nenadnih sunkov

- Aretacija stikala
 - pritisnite stikalo H
 - s palcem pritisnite gumb J
 - aretacijo stikala prekinete s ponovnim pritiskom in sprostivijo stikala H
- Nastavitev hitrosti ⑥
 - z gumbom K se lahko maksimalna hitrost nastavlja od nizke do visoke (1-MAX)
 - na začetku naj bo kolesce K v poziciji 1 (majhna hitrost)
 - hitrost lahko med delovanjem orodja po potrebi tudi povečate
 - najprimernejša delovna hitrost je odvisna od materiala in jo lahko določimo s praktičnim poskušanjem
- Upravljanje orodja
 - vklopite orodje
 - orodje položite plosko na površino za poliranje in ga enakomerno premikajte naprej in nazaj po posameznih odsekih
 - z vsakim nadaljnjim gibom pojdite čez polovico prejšnjega
 - ne zadržujte se dalj časa na eni točki, sicer lahko poškodujete površino
 - ne izvajajte krožnih gibov, sicer se lahko površina obarva ali ožge
 - ! **preden orodje izklopite, bi ga morali odmakniti od predmeta, ki ga obdelujete**
 - ! **po izklopu orodja se pribor še nekaj časa vrti**
- Držanje in vodenje orodja ⑦
 - ! **med delom vedno držite orodje za sivo obarvano mesto oprijema**
 - vedno čvrsto držite orodje z obema rokama, tako boste imeli nad njim ves čas popoln nadzor
 - zagotovite si varen položaj
 - ! **ne pritiskajte s preveliko silo na orodje, da ne pride do njegove zaustavitve**
 - ventilacijske reže L ④ morajo biti nepokrite

VZDRŽEVANJE/SERVISIRANJE

- Orodje zaščitite pred udarci, sunki in maščobami
- Priključni kabel in orodje naj bosta vedno čista (posebej še prezračevalne odprtine L ③)
 - ! **izvlcite vtičnik iz vtičnice pred čiščenjem**
 - ! **ne poskušajte čistiti prezračevalnih odprtin z drezanjem s konicastimi predmeti skozi odprtine**
- Če bi kljub skrbnim postopkom izdelave in preizkušanja prišlo do izpada delovanja orodja, naj popravilo opravi servisna delavnica, pooblaščen za popravila SKILevih električnih orodij
 - pošljite **nerazstavljeno** orodje skupaj s potrdilom o nakupu pri vašemu prodajalcu v najbližjo SKIL servisno delavnico (naslovi, kot tudi spisek rezervnih delov se nahajajo na www.skilmasters.com)

OKOLJE

- **Električnega orodja, pribora in embalaže ne odstranjujte s hišnimi odpadki** (samo za države EU)
 - v skladu z Evropsko direktivo 2002/96/EG o odpadni električni in elektronski opremi in z njenim izvajanjem v nacionalni zakonodaji je treba električna orodja ob

koncu njihove življenjske dobe ločeno zbirati in jih predati v postopek okolju prijaznega recikliranja
- ko je potrebno odstranjevanje, naj vas o načinu spomni simbol ⑧

IZJAVA O SKLADNOSTI CE

- Izjavljamo pod izključno odgovornostjo, da proizvod pod "Tehnični podatki" ustreza naslednjim standardom oz. standardiziranim dokumentom: EN 60745, EN 61000, EN 55014 v skladu z določili direktiv 2004/108/ES, 2006/42/ES, 2011/65/EU
- Tehnična dokumentacija se nahaja pri:** SKIL Europe BV (PT-SEU/ENG1), 4825 BD Breda, NL

Marijn van der Hoofden
Operations & Engineering

Olaf Dijkgraaf
Approval Manager

SKIL Europe BV, 4825 BD Breda, NL

19.08.2013

HRUP/VIBRACIJA

- Izmerjeno v skladu s predpisom EN 60745 je raven zvočnega pritiska za to orodje 86 dB(A) in jakosti zvoka 97 dB(A) (standarden odmik: 3 dB), in vibracija 8,5 m/s² (metoda dlan-roka; netočnost K = 1,5 m/s²)
 - Raven oddajanja vibracij je bila izmerjena v skladu s standardiziranimi testi, navedenimi v EN 60745; uporabi jo je mogoče za primerjavo različnih orodij med seboj in za predhodno primerjavo izpostavljenosti vibracijam pri uporabi orodja za namene, ki so omenjeni
 - uporaba orodja za drugačne namene ali uporaba skupaj z drugimi, lahko znatno **zmanjša** raven izpostavljenosti
 - čas, ko je orodje izklopljeno ali ko teče, vendar z njim ne delamo, lahko znatno **zmanjša** raven izpostavljenosti
- ! pred posledicami vibracij se zaščitite z vzdrževanjem orodja in pripadajočih nastavkov, ter tako, da so vaše roke tople, vaši delovni vzorci pa organizirani**

EST

Poleerimismasin

9955

SISSEJUHATUS

- Kirjeldatav tööriist on ette nähtud metalli, plastiku, kattega pindade ning kivist materjalide poleerimiseks vett kasutamata
- Palun lugege käesolev kasutusjuhend hoolikalt läbi ja hoidke alles ②

TEHNILISED ANDMED ①

SEADME OSAD ③

A Lisakäepide

B Lisakäepide (tüüp D)

C Kuuskantvõtme

D Spindel

E Alusketas (VELCRO)

F Spindlilukustusnupp

G Villast kate

H Töölüüti (sisse/välja)

J Sisse-/väljalülitusnupu lukustusnupp

K Maksimumkiiruse kontrollregulaator

L Öhutusavad

OHUTUS

ÜLDISED OHUTUSJUHISED

⚠ TÄHELEPANU! Kõik ohutusnõuded ja juhised tuleb läbi lugeda. Ohutusnõuete ja juhiste eiramise tagajärjeks võib olla elektrilöök, tulekahju ja/või rasked vigastused. **Hoidke kõik ohutusnõuded ja juhised edasiseks kasutamiseks hoolikalt alles.** Allpool kasutatud mõiste "elektriline tööriist" käib võrgutoitega (toitejuhtmega) elektriliste tööriistade ja akutoitega (ilma toitejuhtmega) elektriliste tööriistade kohta.

1) OHUTUSNÕUDED TÖÖPIIRKONNAS

- Hoidke töökoht puhas ja korras.** Segadus või valgustamata tööpiirkonnad võivad põhjustada õnnetusi.
- Ärge kasutage seadet plahvatusohtlikus keskkonnas, kus leidub tuleohtlikke vedelikke, gaase või tolmu.** Elektrilistest tööriistadest lööb sädemeid, mis võivad tolmu või auru süüdata.
- Kui kasutate elektrilist tööriista, hoidke lapsed ja teised isikud töökohest eemal.** Kui Teie tähelepanu kõrvale juhitakse, võib seade Teie kontrolli alt väljuda.

2) ELEKTRIOHUTUS

- Seadme pistik peab pistikupesasse sobima. Pistiku kallal ei tohi teha mingeid muudatusi. Ärge kasutage kaitsemaandusega seadmete puhul adapterpistikuid.** Muutmata pistikud ja sobivad pistikupesad vähendavad elektrilöögi saamise riski.
- Vältige kehakontakti maandatud pindadega, nagu torud, radiaatorid, pliidid ja külmikud.** Kui Teie keha on maandatud, on elektrilöögi risk suurem.
- Hoidke seadet vihma ja niiskuse eest.** Kui elektriseadmesse on sattunud vett, on elektrilöögi saamise risk suurem.
- Ärge kasutage toitejuhet selleks mitte ettenähtud otstarbel seadme kandmiseks, ülesriputamiseks ega pistiku pistikupesast väljatõmbamiseks. Hoidke toitejuhet kuumuse, õli, teravate servade ja seadme liikuvate osade eest.** Kahjustatud või keerduläänud toitejuhtmed suurendavad elektrilöögi saamise riski.
- Kui töötate elektrilise tööriistaga vabas õhus, kasutage ainult selliseid pikendusjuhtmeid, mida on lubatud kasutada ka välistingimustes.** Välistingimustes kasutamiseks sobiva pikendusjuhtme kasutamine vähendab elektrilöögi saamise riski.
- Kui elektrilise tööriista kasutamine niiskes keskkonnas on vältimatu, kasutage maandusega lekkevoolukaitset.** Maandusega lekkevoolukaitsme kasutamine vähendab elektrilöögi ohtu.

3) INIMESTE TURVALISUS

- a) **Olge tähelepanelik, jälgige, mida Te teete, ning toiminge elektrilise tööriistaga töötades mõistlikult. Ärge kasutage seadet, kui olete väsinud või ümasteite, alkoholi või ravimite mõju all.** Hetkeline tähelepanematus seadme kasutamisel võib põhjustada tõsiseid vigastusi.
- b) **Kandke isikukaitsevahendeid ja alati kaitseprille.** Isikukaitsevahendite, nagu tolumumask, libisemiskindlad turvajalatsid, kaitsekiiver või kuulmiskaitsevahendid, kandmine – sõltuvalt elektrilise tööriista tüübist ja kasutusala – vähendab vigastuste riski.
- c) **Vältige seadme tahtmatut käivitamist. Enne pistiku ühendamist pistikupessa, aku ühendamist seadme külge, seadme ülestõstmist ja kandmist veenduge, et elektriline tööriist on välja lülitatud.** Kui hoiate elektrilise tööriista kandmisel sõrme lülil või ühendate vooluvõrku sisselülitatud seadme, võivad tagajärjeks olla õnnetused.
- d) **Enne seadme sisselülitamist eemaldage selle küljest reguleerimis- ja mutrivõtmed.** Seadme pöörleva osa küljes olev reguleerimis- või mutrivõti võib põhjustada vigastusi.
- e) **Ärge hinnake end üle. Võtke stabiilne tööasend ja hoidke kogu aeg tasakaalu.** Nii saate seadet ootamatutes olukordades paremini kontrollida.
- f) **Kandke sobivat rõivastust. Ärge kandke laiu riideid ega ehteid. Hoidke juuksed, rõivad ja kindad seadme liikuvatest osadest eemal.** Lotendavad riided, ehted või pikad juuksed võivad sattuda seadme liikuvate osade vahele.
- g) **Kui on võimalik paigaldada tolmueemaldus- ja tolmu kogumisseadiseid/seadmeid, veenduge, et need oleksid seadmega ühendatud ja et neid kasutataks õigesti.** Tolmueemaldusseadise kasutamine vähendab tolmuust põhjustatud ohte.

4) ELEKTRILISTE TÖÖRIISTADE HOOLIKAS KÄSITSEMINE JA KASUTAMINE

- a) **Ärge koormake seadet üle. Kasutage töö tegemiseks selleks ettenähtud elektrilist tööriista.** Sobiva elektrilise tööriistaga töötate paremini ja turvalisemalt ettenähtud võimsusvahemikus.
- b) **Ärge kasutage elektrilist tööriista, mille lüliti on rikkis.** Elektriline tööriist, mida ei ole enam võimalik sisse ja välja lülitada, on ohtlik ning seda tuleb remontida.
- c) **Tõmmake pistik pistikupesast välja ja/või eemaldage seadmest aku enne seadme reguleerimist, tarvikute vahetamist ja seadme ärapanekut.** See ettevaatusabinõu väldib seadme tahtmatut käivitamist.
- d) **Kasutusvälisel ajal hoidke elektrilisi tööriistu lastele kättesaamatult. Ärge laske seadet kasutada isikutel, kes seda ei tunne või pole siintoodud juhiseid lugenud.** Kogenematute kasutajate käes kujutavad elektrilised tööriistad ohtu.
- e) **Hoolitsege seadme eest. Kontrollige, kas seadme liikuvad osad funktsioneerivad korralikult ja ei kiildu kinni, ning ega mõned osad ei ole katki või sel määral kahjustatud, et võiksid mõjutada seadme töökindlust.** Laske kahjustatud osad enne seadme kasutamist parandada. Paljude õnnetuste põhjuseks on halvasti hooldatud elektrilised tööriistad.

- f) **Hoidke lõiketarvikud teravad ja puhtad.** Hoolikalt hoitud, teravate lõikeservadega lõiketarvikud kiilduvad harvemini kinni ja neid on lihtsam juhtida.
- g) **Kasutage elektrilist tööriista, lisavarustust, tarvikuid jne vastavalt siintoodud juhistele. Arvestage seejuures töötingimuste ja teostatava töö iseloomuga.** Elektriliste tööriistade kasutamine mitte ettenähtud otstarbel võib põhjustada ohtlikke olukordi.

5) TEENINDUS

- a) **Laske seadet parandada ainult kvalifitseeritud spetsialistidel ja ainult originaalvaruosadega.** Nii tagate seadme püsimise turvalisena.

POLEERIMISMASINATE OHUTUSJUHISED

1) OHUTUSJUHISED KÕIKIDEKS TÖÖOPERATSIOONIDEKS

- a) **Käesolev elektriline tööriist on ette nähtud poleerimiseks. Järgige kõiki tööriistaga kaasasolevaid hoiatusi, juhiseid, jooniseid ja tehnilisi andmeid.** Järgnevalt toodud juhiste eiramise tagajärjeks võib olla elektriööök, tulekahju ja/või rasked vigastused.
- b) **Tööriista pole soovitatav kasutada lihvimiseks, traatharjaga harjamiseks või lõikamiseks.** Tööoperatsioonid, milleks elektritööriist pole ette nähtud, võivad osutada ohtlikuks ja vigastada inimesi.
- c) **Veenduge, et poleerkettal ei oleks lahtisi osi, esmajoones kinnitussnõore. Peitke või lühendage kinnitussnõõrid.** Lahtised kaasapöörlevad kinnitussnõõrid võivad Teie sõrmed kaasa haarata või toorikusse kinni jääda.
- d) **Ärge kasutage lisatarvikuid, mis ei ole tootja poolt kaasoleva elektrilise tööriista jaoks ette nähtud või soovitatud.** See, et saate lisatarvikut oma tööriista külge kinnitada, ei taga veel tööriista ohutut kasutust.
- e) **Kasutatava tarviku lubatud pöörete arv peab olema vähemalt sama suur nagu elektrilise tööriista maksimaalne pöörete arv.** Tarvik, mis pöörleb lubatust kiiremini, võib puruneda.
- f) **Tarviku läbimõõt ja paksus peavad ühtima elektrilise tööriista mõõtudega.** Valede mõõtmetega tarvikut ei kata kaitse piisaval määral.
- g) **Keermestatud sabaga tarvikud peavad spindli keermega täpselt sobima. Flantsi abil monteeritavate tarvikute puhul peab tarviku siseava läbimõõt vastama flantsi siseava läbimõõdule.** Elektrilise tööriista külge täpselt ja tugevalt kinnitamata tarvikud pöörlevad ebaühtlaselt, vibreerivad tugevasti ja võivad põhjustada kontrolli kaotuse tööriista üle.
- h) **Ärge kasutage vigastatud tarvikuid. Iga kord enne kasutamist kontrollige, ega lihvketastel ei esine pragusid või murenenud kohti, lihvtaaldadel pragusid või kulunud kohti, traatharjadel lahtisi või murdunud traate. Kui elektriline tööriist või tarvik maha kukub, siis kontrollige, ega see ei ole vigastatud ning vajadusel võtke vigastatud tarviku asemel kasutusele vigastamata tarvik. Kui olete tarviku üle kontrollinud ja kasutusele võtnud, hoidke ennast ja lähedal viibivaid isikuid väljaspool pöörleva tarviku tasandit ja laske tööriistal töötada ühe minuti vältel maksimaalpöörrel. Selle testiperioodi jooksul vigastatud tarvikud üldjuhul murduvad.**

- i) **Kasutage isikukaitsevahendeid** ☹️. **Kandke vastavalt kasutusotstarbele näokaitsemaski või kaitseprille. Vajadusel kandke tolmukaitsemaski, kuulmiskaitsevahendeid, kaitsekindaid või spetsiaalpõlle, mis kaitseb Teid lihvimisel eralduvate väikeste materjaliosakeste eest.** Silmi tuleb kaitsta töödeldavast materjalist eralduvate kildude ja võõrkehade eest. Tolmu- ja hingamisteede kaitsemaskid peavad filtreerima tekkiva tolmu. Pikaajaline tugev müra võib kahjustada kuulmist.
- j) **Veenduge, et teised inimesed asuvad tööpiirkonnast ohutus kauguses. Igaüks, kes tööpiirkonda siseneb, peab kandma isikukaitsevahendeid.** Materjalist eralduvad kildud või murdunud tarvikud võivad õhku paiskuda ning põhjustada vigastusi ka tööpiirkonnast väljaspool.
- k) **Hoidke toitejuhe pöörlevatest tarvikutest eemal.** Kui kaotate kontrolli seadme üle, tekib toitejuhtme läbilõikamise või tarviku poolt kaasahaaramise oht ning Teie käsi võib pöörleva tarvikuga kokku puutuda.
- l) **Pange tööriist käest alles siis, kui tarvik on seisunud.** Pöörlev tarvik võib alusega kokku puutuda, mille tagajärjel võite kaotada kontrolli tööriista üle.
- m) **Ärge transportige töötavat tööriista.** Teie rõivad võivad jääda pöörleva tarviku külge kinni ning tarvik võib tungida Teie kehasse.
- n) **Puhastage regulaarselt tööriista tuulutusavasisid.** Töötav mootor tõmbab korpusesse tolmu ning kogunev metallitolm võib vähendada elektriohutust.
- o) **Ärge kasutage elektrilist tööriista süttivate materjalide läheduses.** Sädemete tõttu võivad taolised materjalid süttida.
- p) **Ärge kasutage tarvikuid, mille puhul on vaja kasutada jahutusvedelikke.** Vee või teiste jahutusvedelike kasutamine võib põhjustada elektrilööki.
- 2) TAGASILÖÖK JA ASJAOASED OHUTUSJUHISED**
- Tagasilöök on kinnikiildunud pöörlevast tarvikust, näiteks lihvketast, lihvallast, traatharjast vmt põhjustatud järsk reaktsioon. Kinnikiildumine põhjustab pöörleva tarviku äkilise seiskumise. See omakorda tingib seadme kontrollimatu liikumise tarviku pöörlemissuunaga vastupidises suunas.
 - Lihvketta kinnikiildumise tagajärjeks võib olla lihvketta murdumine või tagasilöök. Lihvketas liigub siis sõltuvalt ketta pöörlemissuunast kas tööriista kasutaja suunas või kasutajat eemale. Seejuures võivad lihvketad ka murduda.
 - Tagasilöök on seadme vale või ebaõige kasutuse tagajärg. Tagasilööki saab sobivate ettevaatusabinõude rakendamisega ära hoida.
- a) **Hoidke elektrilist tööriista tugevasti ja viige oma keha ja käed asendisse, milles saate tagasilöögiõududele vastu astuda. Kasutage alati lisakäepidet, kui see on olemas, et saavutada tagasilöögiõudude või reaktsioonimomentide üle võimalikult suurt kontrolli.** Seadme kasutaja saab sobivate ettevaatusabinõude rakendamise tagasilöögi- ja reaktsioonijõudusid kontrollida.
- b) **Ärge viige oma kätt kunagi pöörlevate tarvikute lähedusse.** Tarvik võib tagasilöögi puhul riivata Teie kätt.

- c) **Vältige oma kehaga piirkonda, kuhu seade tagasilöögi puhul liigub.** Tagasilöök paiskab seadme lihvketta liikumissuunale vastassuunas.
- d) **Töötage eriti ettevaatlikult nurkade, teravate servade jmt piirkonnas. Vältige tarviku tagasipõrkumist toorikult ja toorikusse kinnijäämist.** Pöörlev tarvik kaldub nurkades, teravates servades ja tagasipõrkumise korral kinni kiilduma. See põhjustab kontrolli kaotuse tööriista üle või tagasilöögi.
- e) **Ärge kasutage kett- ega hammastusega ketast.** Taolised tarvikud põhjustavad tihti tagasilöögi või kontrolli kaotuse seadme üle.

ÜLDIST

- Kasutage antud tööriista ainult kuivpooleerimiseks
- Kasutage üksnes tööriistaga kaasasolevaid seibe
- Tööriista kasutaja peab olema vähemalt 16 aastat vana
- **Enne seadme reguleerimist või tarviku vahetust eemaldage seade vooluvõrgust (tõmmake pistik pistikupesast välja)**
- **Asbestisilaldava materjali töötlemine on keelatud** (asbest võib tekitada vähki)

TARVIKUD

- SKIL tagab seadme häireteta töö üksnes sobivate tarvikute kasutamisel, mis on saadaval meie edasimüüjate juures või SKILI lepingulistes töökodades
- Teiste tootjate tarvikute kasutamisel järgige valmistaja antud juhiseid
- Kasutage vaid neid tarvikuid, mille lubatud pöörete arv on vähemalt sama suur nagu maksimaalsed tühikäigupöörded
- Ärge kasutage sulatud keermega tarvikuid, mille keeme suurus jääb alla M14 x 21 mm
- Keelatud on kasutada rebenenud, deformeerunud või vibreerivaid tarvikuid

KASUTAMINE VÄLITINGIMUSTES

- Tööde teostamisel välitingimustes tuleb kasutada rikkevoolu-kaitselülitit (FI max 30 mA käivitusvool) ning ainult välitingimustes kasutamiseks ette nähtud ja veepritsmete eest kaitstud pistikupesaga pikendusjuhet

ENNE KASUTAMIST

- Kontrollige alati, kas võrgupinge ühtib tööriista andesildil toodud pingega (andesildil toodud 230V või 240V korral võib tööriistad kasutada ka 220V võrgupinge puhul)
- Paigaldage alati lisakäepide A ☹️ või B ☹️; ärge kasutage tööriista ilma nendeta
- Värviga kaetud juhtmed, mõned puiduliigid, mineraalid ja metall eralduvad tolmu, mis võib olla kahjulik (kokkupuude tolmuga või selle sissehingamine võib seadme kasutajal või läheduses viibivatel inimestel põhjustada allergilisi reaktsioone ja/või hingamisteede haigusi); **kandke tolmumaski ja vajaduse korral töötage külgeühendatava tolmueemaldusseadmega**
- Teatud tüüpi tolm on klassifitseeritud kantserogeensena (nt tammest ja kasest eralduv tolm), eriti koos puidu niiskuse reguleerimiseks kasutatavate lisanditega; **kandke tolmumaski ja vajaduse korral töötage külgeühendatava tolmueemaldusseadmega**
- Erinevate materjalide töötlemisel tekkiva tolmu käitlemisel tuleb järgida kehtivaid nõudeid

- **Fikseerige toorik** (fiksaatoriga kinnitatud või kruustangide vahele pandud toorik püsib kindlamini paigal kui lihtsalt käega hoides)
- Ärge kinnitage tööriista pitskruviga
- Pikendusjuhtmete kasutamisel jälgige, et juhe oleks lõpuni lahti keritud ja vastaks 16 A voolutugevusele

KASUTAMISE AJAL

- Hoidke seadet alati kindlalt kahe käega ja võtke stabiilne tööasend
- Vältige toitejuhtme kokkupuutumist seadme pöörlevate osadega; hoidke toitejuhet alati tööriistast eemal, tagapool
- Kui toitejuhe saab töötamisel ajal kahjustada või see lõigatakse läbi, ärge toitejuhet puutuge, vaid eemaldage koheselt pistik vooluvõrgust
- Ärge kunagi kasutage kahjustatud toitejuhtmega tööriista; laske toitejuhe remonditöökojas välja vahetada
- Seadme elektrilise või mehhaanilise häire korral lülitage seade viivitamatult välja ja eemaldage pistik vooluvõrgust
- Voolukatkestuse korral ning juhul, kui olete tõmmanud pistiku kogemata pistikupesast välja, vabastage lüliti H ③ et vältida tööriista kontrollimatut käivitumist

PÄRAST KASUTAMIST

- Enne tööriista juurest lahkumist lülitage see välja ning oodake, kuni selle liikuvad osad on täielikult seisunud
- Keelatud on pidurdada tarvikuid pärast tööriista väljalülitamist Kõlgurvega

KASUTAMINE

- Lisakäepidemete paigaldamine ⑤
! **eemaldage seade vooluvõrgust**
- lisakäepidet A on võimalik kruvida tööriista paremale või vasakule küljele (sõltuvalt tehtavast tööst)
- kinnitage lisakäepide B näidatud viisil ja pingutage mõlemad kruvid kaasasoleva kuuskantvõtmega C
- Tarviku paigaldamine ③
! **eemaldage seade vooluvõrgust**
- puhastage spindel D ja kõik monteeritavad osad
- kruvige VELCRO alusketas E võlliile D, vajutades samal ajal võlli lukustusnupp F
- ! **spindlilukustusnupule F tohib vajutada ainult siis, kui spindel D seisab**
- suruge villast kate lihtsalt G VELCRO alusketta peale E
- tarviku eemaldamiseks toimige vastupidises järjekorras
- Enne tööriista kasutamist
- veenduge, et tarvik on õigesti paigaldatud ja kindlalt kinnitatud
- kontrollige paigaldatud tarviku vaba liikumist, pöörates seda käega
- proovijooksuks laske tööriistal turvalises asendis vähemalt 30 sekundit maksimumkiirusel ilma koormuseta töötada
- tugeva vibratsiooni või muu defekti korral lülitage tööriist viivitamatult välja ja selgitage välja tõrke võimalik põhjus
- Sisse/välja
- seadme sisselülitamiseks/väljalülitamiseks vajutage/vabastage tööülilitle H ③

- Elektrooniline sujuv käivitus
Kindlustab maksimumkiiruse saavutamise ilma äkilise nõksatuseta tööriista sisselülitamisel
- Lüliti lukustamine pidevaks tööks
- vajutage tööülilitle H
- vajutage pöidlaga nupule J
- fikseeringu vabastamiseks vajutage uuesti tööülilitle H ja vabastage see
- Kiiruse kontroll ⑥
- regulaatori K abil saab maksimumkiirust reguleerida (1-MAX)
- seadke regulaator K käivitamiseks asendisse 1 (madal kiirus)
- vajaduse korral valige tööriista töötamise ajal suurem kiirus
- optimaalne töökiirus oleneb materjalist ja selle saab kindlaks määrata katsetamise teel
- Seadme kasutamine
- lülitage seade sisse
- asetage tööriist täies ulatuses poleeritava pinnale ja juhtige seadet lõikude kaupa ühtlaselt üle pinna
- järgmise lõigu poleerimisel asetage tööriist nii, et poleerite kõrvalolevat lõiku pooles ulatuses veelkord
- pealispinna põletamise vältimiseks ärge jätke tööriista ühte kohta seisma
- pealispinna plekiliseks muutmise või põletamise vältimiseks ärge nihutage tööriista ringikujuliselt
! **enne tööriista väljalülitamist tuleb see töödeldavalt esemelt eemaldada**
! **pärast tööriista väljalülitamist pöörleb tarvik mõne sekundi jooksul edasi**
- Tööriista hoidmine ja juhtimine ⑦
! **töötamise ajal hoidke tööriista kinni korpuse ja käepideme halli värvi osadest**
- hoidke tööriista kahe käega, et see oleks kogu aeg Teie kontrolli all
- võtke stabiilne tööasend
! **ärge rakendage tööriistale nii tugevat survet, et see seisub**
- hoidke õhutusavad L ③ kinnikatmata

HOOLDUS/TEENINDUS

- Kaitske tööriista löökide, pöretuste ja määrdainete eest
- Hoidke seade ja toitejuhe alati puhtad (eriti õhutusavad L ③)
! **enne puhastamist eemaldage seade vooluvõrgust**
! **ärge püüdke puhastada, pistes õhutusavadesse teravaid esemeid**
- Tööriist on hoolikalt valmistatud ja testitud; kui tööriist sellest hoolimata rikki läheb, tuleb see lasta parandada SKILI elektriliste käsitööriistade volitatud remonditöökojas
- toimetage **lahtimonteerimata** seade koos ostukviitungiga tarnijale või lähimasse SKILI lepingulisse töökotta (aadressid ja tööriista varuosade joonise leiate aadressil www.skilmasters.com)

KESKKOND

- Ärge visake kasutuslõpmatuks muutunud elektrilisi tööriistu, lisatarvikuid ja pakendeid ära koos olmejäätmetega (üksnes EL liikmesriikidele)

- vastavalt Euroopa Parlamendi ja nõukogu direktiivile 2002/96/EÜ elektri- ja elektroonikaseadmete jäätmete kohta ning direktiivi nõuete kohaldamisele liikmesriikides tuleb kasutuskõlbmatuks muutunud elektrilised tööriistad koguda eraldi ja keskkonnasäästlikult korduvkasutada või ringlusse võtta
- seda meenutab Teile sümbol (8)

VASTAVUSDEKLARATSIOON (C)

- Kinnitame ainuvastutajana, et punktis "Tehnilised andmed" kirjeldatud toode vastab järgmistele standarditele või normdokumentidele: EN 60745, EN 61000, EN 55014 vastavalt direktiivide 2004/108/EÜ, 2006/42/EÜ, 2011/65/EL
- **Tehniline toimik saadaval aadressil:** SKIL Europe BV (PT-SEU/ENG1), 4825 BD Breda, NL

Marijn van der Hoofden
Operations & Engineering

Olaf Dijkgraaf
Approval Manager

SKIL Europe BV, 4825 BD Breda, NL

19.08.2013

MÜRA/VIBRATSIOON

- Vastavalt kooskõlas normiga EN 60745 läbi viidud mõõtmistele on tööriista helirõhk 86 dB(A) ja helitugevus 97 dB(A) (standardkõrvalekalle: 3 dB), ja vibratsioon 8,5 m/s² (käärandme-meetod; mõõtemääramatus K = 1,5 m/s²)
- Tekkiva vibratsiooni tase on mõõdetud vastavalt standardis EN 60745 kirjeldatud standarditüd testile; seda võib kasutada tööriistade võrdlemiseks ja tööriista kasutamisel ettenähtud töödeks esineva vibratsiooni esialgseks hindamiseks
 - tööriista kasutamisel muudeks rakendusteks või teiste/ halvasti hooldatud tarvikute kasutamisel võib vibratsioon märkimisväärselt **suureneda**
 - ajal, kui tööriist on väljalülitatud või on küll sisselülitatud, kuid tegelikult seda ei kasutata, võib vibratsioon märkimisväärselt **väheneda**
- ! **enda kaitsmiseks vibratsiooni eest hoidage tööriista ja selle tarvikuid korralikult, hoidke oma käed soojad ja tagage sujuv töökorraldus**

LV

Pulējamā mašina

9955

IEVADS

- Šis instruments ir paredzēts metāla, plastmasas un virsmu ar pārkļājumu pulēšanas darbiem, kā arī mūrējumu pulēšanai, izmantojot sausās apstrādes metodes
- Izlasiet un saglabājiet šo pamācību (2)

TEHNISKE PARAMETRI (1)

INSTRUMENTA ELEMENTI (3)

- A Papildrokturis
- B Papildrokturis (tipam D)
- C Sešstūra stienātslēga
- D Darbvārpsta
- E Slīpēšanas pamatne (VELCRO tipa)
- F Darbvārpstas fiksācijas poga
- G Vilnas pulēšanas uzliktnis
- H Ieslēdzējs
- J Ieslēdzēja fiksators
- K Pirkstrāts maksimālā griešanās ātruma priekšiestādīšanai
- L Ventilācijas atveres

DROŠĪBA

VISPĀRĒJIE DARBA DROŠĪBAS NOTEIKUMI

UZMANĪBU! Rūpīgi izlasiet visus drošības noteikumus. Šeit sniegto drošības noteikumu un norādījumu neievērošana var izraisīt aizdegšanos un būt par cēloni elektriskajam triecienam vai nopietnam savainojumam. **Pēc izlasīšanas uzglabājiet šos noteikumus turpmākai izmantošanai.** Turpmākajā izklāstā lietotais apzīmējums "elektroinstruments" attiecas gan uz tīkla elektroinstrumentiem (ar elektrokabeļi), gan arī uz akumulatora elektroinstrumentiem (bez elektrokabeļa).

1) DROŠĪBA DARBA VIETĀ

- a) **Sekojiēt, lai darba vieta būtu tīra un sakārtota.** Nekārtīgā darba vietā vai sliktā apgaismojumā var viegli notikt nelaimes gadījums.
- b) **Nelietojiet elektroinstrumentu eksplozīvu vai ugunsnedrošu vielu tuvumā un vietās ar paaugstinātu gāzes vai putekļu saturu gaisā.** Darba laikā instruments nedaudz dzirksteļo, un tas var izsaukt viegli degošu putekļu vai tvaiku aizdegšanos.
- c) **Lietojot elektroinstrumentu, neļaujiet nepiederošām personām un jo īpaši bērniem tuvoties darba vietai.** Citu personu klātbūtne var novērst uzmanību, un tā rezultātā jūs varat zaudēt kontroli pār instrumentu.

2) ELEKTRODROŠĪBA

- a) **Elektroinstrumenta kontaktdakšai jābūt piemērotai elektrotīkla kontaktligzdai. Kontaktdakšas konstrukciju nedrīkst nekādā veidā mainīt.** Nelietojiet kontaktdakšas salāgotājus, ja elektroinstrumentu caur kabeli tiek savienots ar aizsargzemējuma ķēdi. Neizmainītais konstrukcijas kontaktdakša, kas piemērota kontaktligzdai, ļauj samazināt elektriskā trieciena saņemšanas risku.
- b) **Darba laikā pieskarieties saņemtiem priekšmetiem, piemēram, caurulēm, radiatoriem, plītiem vai ledusskapjiem.** Pieskaroties saņemtiem virsmām, pieaug risks saņemt elektrisko triecienu.
- c) **Nelietojiet elektroinstrumentu lietus laikā, neturiet to mitrumā.** Mitrumam iekļūstot instrumentā, pieaug risks saņemt elektrisko triecienu.
- d) **Nenesiet un nepiekariet elektroinstrumentu aiz elektrokabeļa. Neraujiet aiz kabeļa, ja vēlaties atvienot instrumentu no elektrotīkla kontaktligzdas. Sargājiet elektrokabeļi no karstuma, eļļas, asām šķautnēm un instrumenta kustīgajām daļām.** Bojāts

- lietotāja rokas un aptīties ap pirkstiem vai iekerties apstrādājamā priekšmetā.
- d) **Neizmantojiet piederumus, kurus ražotājfirma nav paredzējusi šim elektroinstrumentam un ieteikusi lietošanai kopā ar to.** Iespēja nostiprināt piederumu uz elektroinstrumenta vēl negarantē tā drošu lietošanu.
- e) **Darbinstrumentu pieļaujamajam griešanās ātrumam jābūt ne mazākam par elektroinstrumenta maksimālo griešanās ātrumu.** Piederumi, kas griežas ātrāk, nekā tas ir pieļaujams, var tikt bojāti.
- f) **Darbinstrumentu ārējam diametram un biežumam jāatbilst elektroinstrumenta konstrukcijai un izmēriem.** Ja darbinstrumenta izmēri ir izvēlēti nepareizi, tas pilnībā nenovietojas zem aizsarga un darba laikā apgrūtina instrumenta vadību.
- g) **Darbinstrumentiem, kas stiprināmi ar vītnes palīdzību, stiprinošajai vītni precīzi jāatbilst slīpmašīnas darbvārpstas vītni.**
- Darbinstrumentiem, kas stiprināmi ar balstaplāksnes palīdzību, atvēruma diametram jāatbilst balstaplāksnes stiprinošā pacēluma diametram.** Darbinstrumenti, kas nav precīzi nostiprināti uz elektroinstrumenta darbvārpstas, nevienmērīgi griežas, ļoti spēcīgi vibrē un var izraisīt kontroles zaudēšanu pār elektroinstrumentu.
- h) **Neizmantojiet bojātus darbinstrumentus. Ik reizi pirms darbinstrumentu lietošanas pārbaudiet, vai tie nav bojāti, piemēram, vai slīpēšanas diski nav atslāņojušies vai iekļāvušies, vai slīpēšanas pamatnē nav vērojamas plaisas un vai stieplu suku veidojošās stieples nav vaļīgas vai atlūzušas. Ja elektroinstrumenta vai darbinstrumenta ir kritis no zināma augstuma, pārbaudiet, vai tas nav bojāts, vai arī izmantojiet darbam nebojātu darbinstrumentu. Pēc darbinstrumenta apskates un iestiprināšanas ļaujiet elektroinstrumentam darboties ar maksimālo griešanās ātrumu vienu minūti ilgi, turot rotējošo darbinstrumentu drošā attālumā no sevis un citām tuvumā esošajām personām.** Bojātie darbinstrumenti šādas pārbaudes laikā parasti salūst.
- i) **Lietojiet individuālos darba aizsardzības līdzekļus**
- ④. **Atkarībā no veicamā darba rakstura izvēlieties pilnu sejas aizsargu, noslēdzošās aizsargbrilles vai parastās aizsargbrilles. Lai aizsargātos no lidojošajām slīpēšanas darbinstrumenta un apstrādājamā materiāla daļiņām, pēc vajadzības lietojiet putekļu aizsargmasku, ausu aizsargus un aizsargcimdus vai arī tīpašu priekšautu.** Lietotāja acis jāpasargā no lidojošajiem svešķermeņiem, kas dažkārt rodas darba gaitā. Putekļu aizsargmaskai vai respiratoram jāpasargā lietotāja elpošanas ceļi no putekļiem, kas veidojas darba laikā. Ilgstoši iedarbojoties stipram troksnim, var rasties paliekoši dzirdes traucējumi.
- j) **Sekojiet, lai citas personas atrastos drošā attālumā no darba vietas. Ikvienam, kas atrodas darba vietas tuvumā, jālieto individuālie darba aizsardzības līdzekļi.** Apstrādājamā priekšmeta atlūzšanas vai salūzuša darbinstrumenta daļas var lidot ar ievērojamu ātrumu un nodarīt kaitējumu cilvēku veselībai arī zināmā attālumā no darba vietas.
- k) **Netuviniet rotējošu darbinstrumentu elektrokabelim.** Zūdot kontrolei pār instrumentu, darbinstruments var pārgriezt kabeli vai iekerties tajā, kā rezultātā lietotāja roka var saskarties ar rotējošo darbinstrumentu.
- l) **Novienojiet elektroinstrumentu, kamēr tajā iestiprinātais darbinstruments nav pilnīgi apstājies.** Rotējošais darbinstruments var skart atbalsta virsmu, kā rezultātā elektroinstrumenta var kļūt nevadāms.
- m) **Nedarbiniet elektroinstrumentu laikā, kad tas tiek pārnests.** Lietotāja apģērbs vai mati var nejausī nonākt saskarē ar rotējošo darbinstrumentu un iekerties tajā, izsaukot darbinstrumenta saskaršanos ar lietotāja ķermeni.
- n) **Regulāri tīriet elektroinstrumenta ventilācijas atveres.** Dzinēju ventilējošā gaisa plūsma ievēl putekļus instrumenta korpusā, bet liela metāla putekļu daudzuma uzkrāšanās var būt par cēloni elektrotraumai.
- o) **Nelietojiet elektroinstrumentu ugunsdrošu materiālu tuvumā.** Lidojošās dzirksteles var izsaukt šādu materiālu aizdegšanos.
- p) **Nelietojiet darbinstrumentus, kuriem jāpievada dzesējošais šķidrums.** Ūdens vai citu šķidro dzesēšanas līdzekļu izmantošana var būt par cēloni elektriskajam triecienam.
- 2) ATSITIENS UN AR TO SAISTĪTIE NORĀDĪJUMI**
- **Atsitiens ir specifiska instrumenta reakcija, pēkšņi iekeroties vai iestrēgstot rotējošam darbinstrumentam, piemēram, slīpēšanas diskam, slīpēšanas pamatnei, stieplu sukai u.t.t.** Rotējošā darbinstrumenta iekēršanās vai iestrēgšana izsauk tā pēkšņu apstāšanos. Tā rezultātā elektroinstrumenta pārvietojas virzienā, kas pretējs darbinstrumenta kustības virzienam iestrēguma vietā, un nereti kļūst nevadāms.
 - Ja, piemēram, slīpēšanas disks iekēras vai iestrēgst apstrādājamajā priekšmetā, tajā iegremdētā diska mala var izrauties no apstrādājamā materiāla vai izraisīt atsitienu. Šādā gadījumā slīpēšanas diska pārvietojas lietotāja virzienā vai arī prom no viņa, atkarībā no diska rotācijas virziena attiecībā pret apstrādājamo priekšmetu. Turklāt slīpēšanas disks var salūzt.
 - Atsitiens ir sekas elektroinstrumenta nepareizai vai neprasmiņgai lietošanai. No tā var izvairīties, ievērojot zināmus piesardzības pasākumus, kas aprakstīti turpmākajā izklāstā.
- a) **Stingri turiet elektroinstrumentu un ieņemiet tādu ķermeņa un roku stāvokli, kas vislabāk ļautu pretoties atsitienu spēkam. Vienmēr izmantojiet papildrokturi, kas ļauj optimāli kompensēt atsitienu vai reaktīvo griezes momentu un saglabāt kontroli pār instrumentu.** Veicot zināmus piesardzības pasākumus, lietotājs jebkurā situācijā spēj efektīvi pretoties atsitienu un reaktīvajam griezes momentam.
- b) **Netuviniet rokas rotējošam darbinstrumentam.** Atsitienu gadījumā darbinstruments var saskarties ar lietotāja roku.
- c) **Izvairieties atrasties vietā, kurp varētu pārvietoties elektroinstrumenta, notiekot atsitienu. Atsitienu gadījumā elektroinstrumenta pārvietojas virzienā, kas pretējs darbinstrumenta kustības virzienam iestrēguma vietā.**
- d) **Ievērojiet tīpašu piesardzību, strādājot stūru un asu malu tuvumā. Nepieļaujiet, lai darbinstruments atlektu no apstrādājamā priekšmeta vai iestrēgtu tajā. Saskaroties ar stūriem vai asām malām**

rotējošais darbinstruments izliecas un atlec no apstrādājamā priekšmeta vai iestrēgst tajā. Tas var būt par cēloni kontroles zaudēšanai pār instrumentu vai atsitienam.

- e) **Nelietojiet zāga asmeņus, kas apgādāti ar zobiem un/vai ir paredzēti koka zāgēšanai.** Šādu darbinstrumentu izmantošana var būt par cēloni atsitienam vai kontroles zaudēšanai pār elektroinstrumentu.

VISPĀRĒJIE DROŠĪBAS NOTEIKUMI

- Lietojiet šo instrumentu tikai sausai pulēšanai
- Izmantojiet tikai instrumenta piegādes komplektā ietilpstošos piespiedējuzgriežņus
- Šo instrumentu nedrīkst izmantot personas, kas jaunākas par 16 gadiem
- Pirms instrumenta regulēšanas vai piederumu nomaiņas atvienojiet to no barojošā elektrotīkla**
- Neapstrādājiet materiālus, kas satur azbestu** (azbestam piemīt kancerogēnas īpašības)

PAPILDPIEDERUMI

- SKIL garantē instrumenta nevainojamu darbību tikai tad, ja tiek lietoti pareizi izvēlēti papildpiederumi, kas iegādāti pie SKIL oficiālā izplatītāja
- Uzstādot/izmantojot citu firmu papildpiederumus, ievērojiet to ražotāju sniegtās instrukcijas
- Lietojiet tikai tādus darbinstrumentus, kuru pieļaujamais darbības ātrums ir vismaz tikpat liels, kā instrumenta maksimālais brīvgaitas ātrums
- Neizmantojiet papildpiederumus ar "aklo" vītņoto atveri, kas ir mazāka par M14 x 21 mm
- Nelietojiet bojātus, izbalansētus vai vibrējošus papildpiederumus

STRĀDĀJOT ĀRPUS TĒLPĀM

- Ja instrumentu tiek izmantots ārpus telpām, pievienojiet to elektriskajam spriegumam izmantojot noplūdes strāvas releju - pārtraucēju, kas nostrādā, ja strāva instrumenta aizsargzemejuma ķēdē pārsniedz 30 mA; ārpus telpām izmantojiet tikai šādai lietošanai paredzētus elektrotīkla pagarinātājkabeļus, kuri ir apgādāti ar ūdensdrošu kontaktlīdzi

PIRMS DARBA UZSĀKŠANAS

- Vienmēr pārlicinieties, ka spriegums, kas uzrādīts uz instrumenta marķējuma plāksnītes, atbilst padeves spriegumam elektrotīklā (230V vai 240V spriegumam paredzētie instrumenti var darboties arī no 220V elektrotīkla)
- Pirms instrumenta lietošanas obligāti nostipriniet uz tā papildrokturi A ③ vai B ③
- Materiāla (piemēram, svīnu saturošas krāsas, dažādu koka šķirņu, minerālu un metāla) putekļi var būt kaitīgi (saskare ar putekļiem vai to ieelpošana var izraisīt alerģiskas reakcijas un/vai elpošanas ceļu saslimšanas operatoram vai klātesošajiem); **izmantojiet putekļu masku un putekšsūcēju, ja to iespējams pievienot**
- Dažu veidu putekļi ir klasificēti kā kancerogēni (piemēram, ozola vai dižskābarža putekļi), jo īpaši apvienojumā ar koksnes kondicionēšanas piedevām; **izmantojiet putekļu masku un putekšsūcēju, ja to iespējams pievienot**

- Ievērojiet ar putekļu savākšanu saistītos nacionālos noteikumus, kas attiecas uz apstrādājamajiem materiāliem
- Nostipriniet apstrādājamo detaļu** (to ir drošāk nostiprināt ar spailēm vai skrūvspilēm, nevis turēt rokā)
- Nenostipriniet instrumentu, iespiežot to skrūvspilēs
- Lietojiet pilnīgi atītus un drošus pagarinātājkabeļus, kas paredzēti 16 A strāvai

DARBA LAIKĀ

- Vienmēr stingri turiet instrumentu ar abām rokām un nodrošiniet stabilu pamatu zem kājām
- Darba laikā sekojiet, lai elektrokabelis atrastos drošā attālumā no instrumenta kustīgajām daļām un stieptos prom no darba vietas virzienā uz aizmuguri
- Ja darba laikā tiek pārgriezti vai citādi mehāniski bojāti instrumenta elektrokabelis, nepieskarieties tam, bet nekavējoties atvienojiet elektrokabeļa kontaktdakšu no barojošā elektrotīkla
- Neizmantojiet instrumentu, ja tam ir bojāts elektrokabelis; tā nomaiņu drīkst veikt tikai pieredzējis speciālists
- Elektriska vai mehāniska rakstura kļūmes gadījumā nekavējoties izslēdziet instrumentu un atvienojiet kabeļa kontaktdakšu no elektrotīkla
- Ja darba laikā pārtrūkst elektrobarošanas padeve vai elektrokabeļa kontaktdakša nejauci atvienojas no elektrotīkla, atlaidiet ieslēdzēju (H ③), lai novērstu instrumenta patvaļīgu ieslēgšanos

PĒC DARBA PABEIGŠANAS

- Pirms instrumenta novietošanas izslēdziet to un nogaidiet, līdz tā kustīgās daļas pilnīgi apstājas
- Pēc instrumenta izslēgšanas nebremzējiet rotējošo darbinstrumentu ar sānspiedienu

DARBS

- Papildrokturu pievienošana ⑤
 - ! atvienojiet instrumentu no elektrotīkla**
 - ieskrūvējiet papildrokturi A instrumenta galvas labajā vai kreisajā pusē atbilstoši veicamā darba raksturam
 - pievienojiet papildrokturi B, kā parādīts attēlā, un pievelciet abas skrūves ar sešstūra stienpatlēgu C
- Darbinstrumentu iestiprināšana ③
 - ! atvienojiet instrumentu no elektrotīkla**
 - pirms darbinstrumenta iestiprināšanas notīriet darbvārpstu D un pārējās iestiprināmās daļas
 - pievienojiet VELCRO slīpēšanas pamatni E darbvārpstai D, nospiežot darbvārpstas fiksējošo pogu F
 - ! darbvārpstas fiksācijas pogu F drīkst nospiegt tikai tad, kad instrumenta darbvārpsta D atrodas miera stāvoklī**
 - vienkārši nospiediet ādas uzliktni G uz VELCRO slīpēšanas pamatnes E
 - lai noņemtu darbinstrumentu, rīkojieties pretējā secībā
- Pirms darba uzsākšanas
 - pārbaudiet, vai darbinstruments ir pareizi novietots uz darbvārpstas un stingri nostiprināts
 - pagriežot darbinstrumentu ar roku, pārbaudiet, vai tas var brīvi rotēt
 - pārbaudiet instrumentu, turot to drošā stāvoklī un ļaujot darboties pie maksimālā brīvgaitas ātruma vismaz 30 sekundes

- ja ir novērojama stipra vibrācija vai tiek konstatēti kādi citi defekti, nekavējoties izslēdziet un pārbaudiet instrumentu
- Ieslēgšana/izslēgšana
 - lai ieslēgtu/izslēgtu instrumentu, nospiediet/atļaidiet ieslēdzēju H ③
- Elektroniskā palaišanas strāvas ierobežošana

Nodrošina, ka darbvārpstas maksimālais griešanās ātrums tiek sasniegts pakāpeniski, bez pēkšņa grūdienu instrumenta ieslēgšanas brīdī
- Instrumenta ieslēgšana ilgstošai darbībai, fiksējot tā ieslēdzēju
 - nospiediet ieslēdzēju H
 - ar īkšķi nospiediet pogu J
 - defiksējiet taustiņu, atkārtoti nospiežot un atlaižot ieslēdzēju H
- Griešanās ātruma regulēšana ⑥
 - ar pirkstrata K palīdzību maksimālo darbvārpstas griešanās ātrumu iespējams regulēt no nelielas vērtības līdz lielākai (1-MAX)
 - uzsāciet darbu, pirkstratam K atrodies stāvoklī 1 (neliels ātrums)
 - ja nepieciešams, instrumenta darba laikā izvēlieties lielāku ātrumu
 - optimālais darba ātrums ir atkarīgs no materiāla, un to var noteikt, izmēģinot praksi
- Instrumenta darbināšana
 - ieslēdziet instrumentu
 - uzmanīgi novietojiet instrumentu uz pulējamās virsmas tā, lai darbinstruments pilnībā atrastos uz tās, un vienmērīgi pārvietojiet pa virsmas segmentiem
 - katrai kustībai ir daļēji (apmēram par pusi) jāpārklāj iepriekšējās kustības laikā apstrādātā vieta
 - nebeidziet darbu vienā punktā, lai izvairītos no pārklājuma bojājumiem
 - nevirziet instrumentu pa apli, lai novērstu pārklājuma nevienmērīgu iekrāsošanos vai piedegšanu
- ! **pirms instrumenta izslēgšanas paceliet to no apstrādājamā priekšmeta virsmas**
- ! **darbinstruments zināmu laiku turpina griezties arī pēc instrumenta izslēgšanas**
- Instrumenta turēšana un vadīšana ⑦
 - ! **darba laikā vienmēr turiet instrumentu aiz pelēkās krāsas noturvirsmas(ām)**
 - lai nodrošinātu pilnīgu kontroli pār instrumentu, stingri turiet to ar abām rokām
 - darba laikā nodrošiniet kājām stingru atbalstu
 - ! **nepārslodiet instrumentu līdz tādai pakāpei, ka tā darbvārpsta tiek pilnīgi nobremzēta**
 - nenosprostojiet instrumenta ventilācijas atveres L ③

APKALPOŠANA / APKOPE

- Sargājiet instrumentu no triecieniem, sitieniem un smērvielām
- Uzturiet tīru instrumentu un elektrokabeli (īpaši ventilācijas atveres L ③)
 - ! **pirms instrumenta tīrīšanas atvienojiet to no elektrotīkla**
 - ! **nemēģiniet tīrīt ventilācijas atveres, ievadot tajās smailus priekšmetus**

- Ja, neraugoties uz augsto izgatavošanas kvalitāti un rūpīgo pēcražošanas pārbaudi, instruments tomēr sabojājas, tas jānogādā remontam firmas SKIL pilnvarotā elektroinstrumentu remonta darbnīcā
 - nogādājiet instrumentu **neizjauktā veidā** kopā ar iegādes dokumentiem tuvākajā tirdzniecības vietā vai firmas SKIL pilnvarotā pēciegādes apkalpošanas un remonta iestādē (adreses un instrumenta apkalpošanas shēma ir sniegta interneta vietnē www.skilmasters.com)

APKĀRTĒJĀS VIDES AIZSARDZĪBA

- **Neizmetiet elektroiekārtas, piederumus un iesaiņojuma materiālus sadzīves atkritumos** (tikai ES valstīm)
 - saskaņā ar Eiropas Savienības direktīvu 2002/96/ES par nolietotajām elektriskajām un elektroniskajām iekārtām un tās atspoguļojumiem nacionālajā likumdošanā, nolietotās elektroiekārtas ir jāsavāc, jāizjauc un jānogādā atsevišķai pārstrādei apkārtējai videi nekaitīgā veidā
 - īpašs simbols ⑧ atgādina par nepieciešamību izstrādājumus izmantot videi nekaitīgā veidā

ATBILSTĪBAS DEKLARĀCIJA CE

- Mēs ar pilnu atbildību paziņojam, ka sadaļā "Tehniskie parametri" aprakstītais izstrādājums atbilst šādiem standartiem vai normatīvajiem dokumentiem: EN 60745, EN 61000, EN 55014, kā arī direktīvām 2004/108/EK, 2006/42/EK, 2011/65/ES
- **Tehniskā dokumentācija no:** SKIL Europe BV (PT-SEU/ENG1), 4825 BD Breda, NL

Marijn van der Hoofden Olaf Dijkgraaf
Operations & Engineering Approval Manager

SKIL Europe BV, 4825 BD Breda, NL

19.08.2013

TROKSNIS/VIBRĀCIJA

- Saskaņā ar standartu EN 60745 noteiktais instrumenta radītā trokšņa skaņas spiediena līmenis ir 86 dB(A) un skaņas jaudas līmenis ir 97 dB(A) (pie tipiskās izkliedes 3 dB), un vibrācijas paātrinājums ir 8,5 m/s² (roku-delnu metode; izkliede K = 1,5 m/s²)
- Vibrācijas līmenis ir noteikts, izmantojot standartā EN 60745 paredzēto procedūru; to var izmantot, lai salīdzinātu instrumentus un provizoriski izvērtētu vibrācijas iedarbību, lietojot instrumentu minētajiem mērķiem
 - instrumenta izmantošana citiem mērķiem vai ar citiem vai nepietiekami koptiem piederumiem var ievērojami palielināt kopējo vibrācijas iedarbības pakāpi
 - laika periodi, kad instruments ir izslēgts vai arī ir ieslēgts, taču darbs ar to nenotiek, var ievērojami samazināt kopējo vibrācijas iedarbības pakāpi
- ! **pasargājiet sevi no vibrācijas iedarbības, veicot instrumenta un tā piederumu tehnisko apkopi, novēršot roku atdzišanu un pareizi organizējot darbu**

ĮVADAS

- Šis prietaisas skirtas poliruoti metalinius, plastikinius ir dengtus paviršius bei akmeninius paviršius nenaudojant vandens
- Perskaitykite ir išsaugokite šią naudojimo instrukciją ②

TECHNINIAI DUOMENYS ①

PRIETAISO ELEMENTAI ③

- A Pagalbinė rankena
- B Pagalbinė rankena (tipai D)
- C Šešiabriaunis raktas
- D Suklys
- E Šlifavimo padas (VELCRO)
- F Suklio blokavimo mygtukas
- G Vilnonis gaubtas
- H Įjungimo/išjungimo jungiklis
- J Rankenėlė įjungimo/išjungimo jungikliui užrakinti
- K Raktukas maksimalių sukčių reguliavimui
- L Ventilacinės angos

SAUGA

BENDROSIOS DARBO SAUGOS INSTRUKCIJOS

⚠ DĖMESIO! Perskaitykite visas šias saugos nuorodas ir reikalavimus. Jei nepaisysite žemiau pateiktų saugos nuorodų ir reikalavimų, gali trenkti elektros smūgis, kilti gaisras ir/arba galite sunkiai susižaloti arba sužaloti kitus asmenis. **Išsaugokite šias saugos nuorodas ir reikalavimus, kad ir ateityje galėtumėte jais pasinaudoti.** Toliau pateiktame tekste vartojama sąvoka „elektrinis įrankis“ apibūdina įrankius, maitinamus iš elektros tinklo (su maitinimo laidu), ir akumulatorinius įrankius (be maitinimo laido).

1) DARBO VIETOS SAUGUMAS

- a) **Darbo vieta turi būti švari ir tvarkinga.** Tinkama ar blogai apšviesta darbo vieta gali tapti nelaimingų atsitikimų priežastimi.
- b) **Nedirbkite tokioje aplinkoje, kur yra degių skysčių, dujų ar dulkių.** Elektriniai įrankiai gali kibirkščiuoti, o nuo kibirkščių dulkės arba susikaupę garai gali užsidegti.
- c) **Dirbdami su elektriniu įrankiu neleiskite šalia būti žiūrovams, vaikams ir lankytojams.** Nukreipę dėmesį į kitus asmenis galite nebesuvaldyti prietaiso.

2) ELEKTROSAUGA

- a) **Maitinimo laido kištukas turi atitikti tinklo rozetės tipą.** Kištuko jokių būdu negalima modifikuoti. **Nenaudokite jokių kištuko adapterių su žemintais prietaisais.** Originalūs kištukai, tiksliai tinkantys elektros tinklo rozetei, sumažina elektros smūgio pavojų.
- b) **Venkite kūno kontakto su žemintais paviršiais, tokiais kaip vamzdžiai, šildytuvai, viryklės ar šaldytuvai.** Egzistuoja padidinta elektros smūgio rizika, jei Jūsų kūnas bus žemintas.

- c) **Saugokite prietaisą nuo lietaus ir drėgmės.** Jei vanduo patenka į elektrinį prietaisą, padidėja elektros smūgio rizika.
 - d) **Nenaudokite maitinimo laido ne pagal paskirtį, t. y. neneškite prietaiso paėmę už laido, nekabinkite prietaiso už laido, netraukite už jo, norėdami išjungti kištuką iš rozetės.** Laidą klokite taip, kad jo neveiktų karštis, jis neišsiteptų alyva ir jo nepažeistų aštrios detalės ar judančios prietaiso dalys. Pažeisti arba susipynę laidai gali tapti elektros smūgio priežastimi.
 - e) **Jei su elektriniu įrankiu dirbate lauke, naudokite tik tokius ilginimo kabelius, kurie tinka lauko darbams.** Naudojant lauko darbams pritaikytus ilginimo kabelius, sumažinamas elektros smūgio pavojus.
 - f) **Jei su elektriniu įrankiu neišvengiamai reikia dirbti drėgnoje aplinkoje, naudokite žemimo grandinės pertraukiklį.** Naudojant žemimo grandinės pertraukiklį, sumažėja elektros smūgio pavojus.
- #### 3) ŽMONIŲ SAUGA
- a) **Būkite atidūs, sutelkite dėmesį į tai, ką Jūs darote ir, dirbdami su elektriniu įrankiu, vadovaukitės sveiku protu.** Nedirbkite su prietaisu, jei esate pavargę arba vartojote narkotikus, alkoholį ar medikamentus. Akimirksnio neatidumas naudojant prietaisą gali tapti rimtų sužalojimų priežastimi.
 - b) **Naudokite asmenines apsaugos priemones ir visuomet užsidėkite apsauginius akinius.** Naudojant asmenines apsaugos priemones, pvz., respiratorių ar apsauginę kaukę, neslystančius batus, apsauginį šalną, klausos apsaugos priemones ir kt., rekomenduojamas dirbant su tam tikros rūšies įrankiais, sumažėja rizika susižeisti.
 - c) **Saugokitės, kad neįjungtumėte prietaiso atsitiktinai.** Prieš prijungdami elektrinį įrankį prie elektros tinklo ir/arba akumulatoriaus, prieš pakeldami ar nešdami įsitikinkite, kad jis yra išjungtas. Jeigu nešdami elektrinį įrankį pirštą laikysite ant jungiklio arba prietaisą įjungsitė į elektros tinklą, kai jungiklis yra įjungtas, gali įvykti nelaimingas atsitikimas.
 - d) **Prieš įjungdami prietaisą pašalinkite reguliavimo įrankius arba veržlių raktus.** Prietaiso besisukančioje dalyje esantis įrankis ar raktas gali tapti sužalojimų priežastimi.
 - e) **Nepervertinkite savo galimybių. Dirbdami atsistokite patikimai ir visada išlaikykite pusiausvyrą.** Patikima stovėsenai ir tinkama kūno laikysena leis geriau kontroliuoti prietaisą netikėtose situacijose.
 - f) **Dėvėkite tinkamą aprangą. Nedėvėkite plačių drabužių ir papuošalų.** Saugokite plaukus, drabužius ir pirštines nuo besisukančio prietaiso dalių. Laisvus drabužius, papuošalus bei ilgus plaukus gali įtraukti besisukančios dalys.
 - g) **Jei yra numatyta galimybė prijungti dulkių nusiurbimo ar surinkimo įrenginius, visada įsitikinkite, ar jie yra prijungti ir ar teisingai naudojami.** Naudojant dulkių nusiurbimo įrenginius sumažėja kenksmingas dulkių poveikis.
- #### 4) RŪPESTINGA ELEKTRINIŲ ĮRANKIŲ PRIEŽIŪRA IR NAUDOJIMAS
- a) **Neperkraukite prietaiso. Naudokite Jūsų darbui tinkamą elektrinį įrankį.** Su tinkamu elektriniu įrankiu

Jūs dirbsite geriau ir saugiau, jei neviršysite nurodyto galingumo.

- b) **Nenaudokite elektrinio įrankio su sugedusiu jungikliu.** Elektrinis įrankis, kurio nebegalima įjungti ar išjungti, yra pavojingas ir jį reikia remontuoti.
 - c) **Prieš reguliuodami prietaisą, keisdami darbo įrankius ar prieš valydami prietaisą, iš elektros tinklo lizdo ištraukite kištuką ir/arba išimkite akumuliatorių.** Ši saugumo priemonė apsaugos jus nuo netikėto prietaiso įsijungimo.
 - d) **Nenaudojama prietaisą sandėliuokite vaikams ir nemokantiems juo naudotis asmenims neprieinamoje vietoje.** Elektriniai įrankiai yra pavojingi, kai juos naudoja nepatyrę asmenys.
 - e) **Rūpestingai prižiūrėkite prietaisą. Tikrinkite, ar besisukančios prietaiso dalys tinkamai veikia ir niekur nekliūva, ar nėra sulūžusių ar šiaip pažeistų dalių, kurios įtakotų prietaiso veikimą.** Prieš vėl naudojant prietaisą pažeistos prietaiso dalys turi būti suremontuotos. Daugelio nelaimingų atsitikimų priežastis yra blogai prižiūrimi elektriniai įrankiai.
 - f) **Pjovimo įrankiai turi būti aštrūs ir švarūs.** Rūpestingai prižiūrėti pjovimo įrankiai su aštriomis pjaunamosiomis briaunomis mažiau stringa ir juos yra lengviau valdyti.
 - g) **Elektrinį įrankį, papildomą įrangą, darbo įrankius ir t. t. naudokite taip, kaip nurodyta šioje instrukcijoje. Taip pat atsižvelkite į darbo sąlygas bei atliekamo darbo pobūdį.** Naudojant elektrinius įrankius ne pagal jų paskirtį galima sukelti pavojingas situacijas.
- 5) APTARNAVIMAS**
- a) **Prietaisą turi remontuoti tik kvalifikuotas specialistas ir naudoti tik originalias atsargines dalis.** Taip galima garantuoti, jog prietaisas išliks saugus.

DARBŲ SAUGOS NUORODOS DIRBANTIEMS SU POLIRUOKLIAIS

1) DARBŲ SAUGOS NUORODOS VISIEMS DARBAMS

- a) **Šį elektrinį prietaisą galima naudoti kaip poliruoklį. Griežtai laikytis visų įspėjamųjų nuorodų, taisyklių, ženklų ir užrašų, kurie yra pateikiami su šiuo prietaisu, reikalavimų.** Jei nepaisysite toliau pateiktų nuorodų, gali kilti elektros smūgio, gaisro ir/arba sunkių sužalojimų pavojus.
- b) **Šį elektrinį prietaisą nerekomenduojama naudoti kaip šlifavimo staklį, šlifavimo su švitrinium popieriumi ar viela bei pjovimo operacijoms.** Operacijos, kurioms nėra skirtas elektrinis instrumentas, gali būti pavojingos ir sužaloti dirbantįjį.
- c) **Nepalikite jokių laisvų poliravimo gaubtės dalių, ypač tvirtinimo raiščių. Suvyniokite arba sutrumpinkite tvirtinimo raiščius.** Atsilaisvinę, kartu besisukantys tvirtinimo raiščiai gali apsvynioti aplink Jūsų pirštus ar užsikabinti už ruošinio.
- d) **Nenaudokite jokių priedų ir papildomos įrangos, kurių gamintojas nėra specialiai numatęs ir rekomendavęs šiam elektriniam prietaisui.** Vien tik tas faktas, kad Jūs galite pritvirtinti kokį nors priedą prie Jūsų elektrinio prietaiso, jokiū būdu negarantuoja, kad juo bus saugu naudotis.
- e) **Naudojamų darbo įrankių maksimalus leistinas apsisukimų skaičius turi būti ne mažesnis, nei**

maksimalus sūkių skaičius, nurodytas ant elektrinio prietaiso. Jei įrankis suksis greičiau, nei leistina, jis gali subyrėti.

- f) **Naudojamo darbo įrankio išorinis diametras ir storis turi atitikti nurodytuosius Jūsų elektrinio prietaiso parametrus.** Netinkamų matmenų įrankius gali būti sunku tinkamai apsaugoti bei valdyti.
- g) **Darbo įrankiai su srieginiu įdėklu turi tiksliai tikti šlifavimo suklio sriegiui.** Naudojant darbo įrankius, kurie tvirtinami junge, darbo įrankio kiaurymės skersmuo turi tiksliai tikti jungės įtvoro skersmeniui. Darbo įrankiai, kurių negalima tiksliai pritvirtinti prie elektrinio įrankio, sukasi netolygiai, labai vibruoja ir gali tapti nebevaldomi.
- h) **Nenaudokite pažeistų darbo įrankių. Prieš kiekvieną naudojimą patikrinkite tokius įrankius, kaip abrazyviniai diskai, ar jie nėra aplūžinę arba įtrūkę, šlifavimo žiedus - ar jie nėra įtrūkę, susidėvėję ar nudilę, vielinčius šepečius - ar jų vielutės nėra atsilaisvinę ar nutrūkę.** Jei elektrinis prietaisas arba darbo įrankis nukrito iš didesnio aukščio, patikrinkite, ar jis nėra pažeistas, arba iš karto sumontuokite kitą - nepažeistą - darbo įrankį. Kuomet patikrinote ir sumontavote darbo įrankį, pasirūpinkite, kad nei Jūs, nei greta esantys asmenys nebūtų vienoje linijoje su besisukančiu darbo įrankiu, ir leiskite prietaisui vieną minutę veikti didžiausiais sūkais. Jei darbo įrankis yra pažeistas, jis turėtų per šį bandymo laiką subyrėti.
- i) **Naudokite individualias apsaugos priemones ⁴ ir visuomet užsidėkite veido apsaugą ar apsauginius akinius.** Jei nurodyta, užsidėkite nuo dulkių saugantį respiratorių, apsaugines ausines, apsaugines pirštines arba specialią prijuostę, kuri apsaugos jus nuo smulkių šlifavimo įrankio ir ruošinio dalelių. Akys turi būti apsaugotos nuo aplinkui skraidančių svetimkūnių, atsirandančių atliekant įvairius darbus. Respiratorius turi išfiltruoti dirbant kylančias dulkes. Dėl ilgalaikio didelio triukšmo poveikio galite prarasti klausą.
- j) **Pasirūpinkite, kad kiti asmenys būtų saugiami atstume nuo Jūsų darbo zonos. Kiekvienas, kuris įžengia į darbo zoną, turi naudoti asmenines apsaugos priemones.** Ruošinio dalelės ar atskilę įrankio gabalėliai gali skrieti dideliu greičiu ir sužeisti asmenis, net ir esančius už tiesioginės darbo zonos ribų.
- k) **Maitinimo kabelį laikykite toliau nuo besisukančių darbo įrankių.** Jei nesuvaldytumėte prietaiso, darbo įrankis gali perpjauti maitinimo kabelį arba jį įvynioti, tuomet jūsu plaštaka ar ranka gali paliesti besisukančią darbo įrankį.
- l) **Išjungę elektrinį prietaisą, niekuomet jo nepadėkite tol, kol darbo įrankis visiškai nesustos.** Besisukantis darbo įrankis gali prisiliesti prie paviršiaus, ant kurio padedate prietaisą, ir prietaisas gali tapti nevaldomas.
- m) **Nešdami prietaisą niekuomet jo neįjunkite.** Netyčia prisilietus prie besisukančio darbo įrankio, jis gali įvynioti drabužius ir Jus sužeisti.
- n) **Reguliariai valykite ventiliacines angas Jūsų prietaiso korpusu.** Variklio ventiliatorius siurbia dulkes į korpusą, ir, susikaupus daug metalo dulkių, gali kilti elektros smūgio pavojus.

- o) **Niekuomet nenaudokite elektrinio prietaiso arti lengvai užsidegančių medžiagų.** Kylandčios kibirkštys gali jas uždegti.
- p) **Nenaudokite darbo įrankių, kuriuos reikia aušinti skysčiais.** Naudojant vandenį ar kitokius aušinimo skysčius gali kilti elektros smūgio pavojus.

2) ATATRANKA IR ATITINKAMOS ĮSPĖJAMOSIOS NUORODOS

- Atatranka yra staigi reakcija, atsirandanti tuomet, kai besisukantis darbo įrankis, pvz., šlifavimo diskas, šlifavimo žiedas ar vielinis šepetys, užkliūva, įstringa ruošinyje ir dėl to netikėtai sustoja. Dėl to prietaisas gali nekontroliuojamai atšokti nuo ruošinio priešinga kryptimi darbo įrankio sukimosi kryptimi.
- Pvz., jei šlifavimo diskas įstringa arba užsiblokuoja ruošinyje, disko kraštas, kuris yra įleistas į ruošinį, gali išlūžti arba sukelti atatranką. Šlifavimo diskas tuomet ima judėti link dirbančiojo arba nuo jo, priklausomai nuo disko sukimosi krypties blokavimo vietoje. Be to, šlifavimo diskas gali ir subyrėti.
- Atatranka yra neteisingo elektrinio prietaiso naudojimo arba klaidos pasekmė. Jos galima išvengti, jei imsitės atitinkamų priemonių, kaip aprašyta žemiau.
- a) **Dirbdami visada tvirtai laikykite prietaisą abiem rankomis ir stenkitės išlaikyti tokią kūno ir rankų padėtį, kurioje sugebėtumėte atsispirti prietaiso pasipriešinimo jėgai atatrankos metu. Visuomet naudokite pagalbinę rankeną, jei tokia yra, tuomet galėsite suvaldyti atatrankos jėgas bei reakcijos jėgų momentą.** Dirbantysis gali suvaldyti atatrankos ir reakcijos jėgas, jei imsis tinkamų saugos priemonių.
- b) **Nelaikykite rankos arti besisukančio darbo įrankio.** Darbo įrankis, įvykus atatrankai, gali pajudėti link Jūsų rankos.
- c) **Venkite, kad jūsų kūno dalys būtų toje zonoje, kurioje įvykus atatrankai juda prietaisas.** Atatrankos jėga verčia prietaisą judėti nuo blokavimo vietos priešinga kryptimi darbo įrankio sukimosi kryptimi.
- d) **Itin atsargiai dirbkite ties kampais, aštriomis briaunomis ir t.t. Pasistenkite dirbti taip, kad įrankis neatsimuštų į kliūtis ir neįstrigtų.** Besisukantis įrankis turi tendenciją kampuose, ties aštriomis briaunomis arba atsimušęs į kliūtį užstrigti. Tuomet prietaisas tampa nevaldomas arba įvyksta atatranka.
- e) **Nenaudokite jokių grandinių ar dantytų pjovimo diskų.** Tokie įrankiai dažnai sukelia atatranką ir elektrinį prietaisą gali būti sunku suvaldyti.

BENDROJI DALIS

- Šį prietaisą galima naudoti tik sausam poliravimui
- Naudokite tik kartu su šiuo prietaisu tiekiamus flanšus
- Šį prietaisą turėtų naudoti tik asmenys, kuriems 16 ir daugiau metų
- **Prieš reguliuojant prietaisą arba keičiant darbo įrankius, ištraukite kištuką iš el. tinklo lizdo**
- **Draudžiama apdirbti medžiagas, kurių sudėtyje yra asbesto** (asbestas pasižymi vėžį sukeliančiu poveikiu)

PAPILDOMA ĮRANGA

- SKIL gali garantuoti nepriekaištingą prietaiso veikimą tik tuo atveju, jei naudojama tinkama papildoma įranga ir priedai, kuriuos galite įsigyti įgaliotųjų SKIL atstovų parduotuvėse

- Naudodami kitur pagamintą papildomą įrangą vadovaukitės gamintojo pateiktais nurodymais
- Leidžiama naudoti tik tokius įrankius, kurių maksimalus leistinas apsisukimų skaičius yra ne mažesnis, nei maksimalus Jūsų prietaiso sūkių skaičius
- Jokių būdu nenaudokite papildomos įrangos su uždaru sriegiu, kurio matmenys mažesni nei M14 x 21 mm
- Draudžiama naudoti įtrūkusius, deformuotus arba vibruojančius įrankius

EKSPLOATACIJA LAUKE

- Prietaisai, su kuriais dirbama lauke, turi būti prijungiami per nuotekio srovės apsauginį išjungiklį (FI-), kurio suveikimo srovė yra ne didesnė kaip 30 mA; naudokite tik lauko darbams skirtus prailginimo kabelius su hermetiškomis jungtimis

PIEŠ EKSPLOATACIJĄ

- Visada patikrinkite, ar elektros tinklo įtampa sutampa su įtamos dydžiu, nurodytu prietaiso vardinėje lentelėje (prietaisus su nurodyta įtampa 230V ir 240V galima jungti į 220V įtamos elektros tinklą)
- Visada sumontuokite papildomą rankeną A ③ arba B ③; niekada nenaudokite instrumento be jos
- Kai kurių medžiagų, kaip antai dažų, kurių sudėtyje yra švino, kai kurių medžiagų rūšių medienos, mineralų ir metalo dulksės gali būti kenksmingos (kontaktais su šiomis dulksėmis arba įkvėptos dulksės gali sukelti operatoriui arba šalia esantiems žmonėms alergines reakcijas ir/arba kvėpavimo sistemos susirgimus); **mūvėkite priešdulkinę puskaukę arba dirbdami naudokite dulkių ištraukimo įrenginį, jei jį galima prijungti**
- Kai kurių rūšių dulksės priskiriamos kancerogeninėms (pvz., ažuolo arba buko medienos dulksės), ypač susimaišiusios su medienos taurinimui naudojamais priedais; **mūvėkite priešdulkinę puskaukę arba dirbdami naudokite dulkių ištraukimo įrenginį, jei jį galima prijungti**
- Vadovaukitės Jūsų šalyje taikomų direktyvų reikalavimais, skirtais medžiagoms, su kuriomis norite dirbti
- **Saugiai laikykite tvirtinamą dirbinį** (dirbinį, kuris segamas ar kalamas kabanį kalimo įrankiais, saugiau laikyti spaustuvu nei ranką)
- Prietaisą draudžiama tvirtinti mašiniuose spaustuvuose
- Naudodami ilginamuosius kabelius atkreipkite dėmesį į tai, kad kabelis būtų iki galo išvyniotas ir būtų pritaikytas 16 A elektros srovei

EKSPLOATACIJA

- Darbo metu visada tvirtai laikykite prietaisą abiem rankom bei patikimai stovėkite
- Pasirūpinkite, kad maitinimo kabelis nebūtų arti besisukančių prietaiso dalių; klokite jį kuo toliau už prietaiso
- Jei dirbant bus pažeistas ar nutrauktas kabelis, būtina neličiant kabelio tuojau pat ištraukti kištuką iš elektros tinklo lizdo
- Prietaisą su pažeistu kabeliu naudoti draudžiama; jį turi pakeisti kvalifikuotas elektrikas
- Atsiradus mechaninio ar elektrinio pobūdžio trūkđiams, tuojau pat išjunkite prietaisą ir ištraukite kištuką iš elektros tinklo lizdo
- Jei nutrūksta elektros srovės tiekimas arba netyčia ištraukiate kištuką iš elektros lizdo, atleiskite jungiklį H ③ taip apsisaugosite nuo galimo savaiminio įsijungimo vėl atsiradus srovei

PO EKSPLOATACIJOS

- Prieš padėdami prietaisą jį išjunkite ir palaukite, kol visos besisukančios jo dalys galutinai sustos
- Išjungę prietaisą, besisukančių darbo įrankių nestabdykite šoniniu prispaudimu

NAUDOJIMAS

- Šoninių rankenų montavimas ⑤
 - ! **ištraukite kištuką iš elektros lizdo**
 - šoninę rankeną A galima prisukti dešinėje arba kairėje prietaiso pusėje (priklausomai nuo darbo pobūdžio)
 - sumontuokite papildomą rankeną B, kaip pavaizduota pav., ir priveržkite abu varžtus su šešiakampių raktu C
- Papildomos įrangos montavimas ③
 - ! **ištraukite kištuką iš elektros lizdo**
 - prieš uždėdami papildomą įrangą nuvalykite suklij D ir visas detales, kurias montuosite
 - spausdami suklio fiksavimo mygtuką F ant suklio D priveržkite VELCRO šlifavimo padą E
 - ! **suklio fiksavimo mygtuką F spauskite tik tada, kai suklys D nesisuka**
 - vilnos gaubtą G tiesiog prispauskite prie VELCRO šlifavimo pado E
 - norėdami nuimti darbo įrankius, viską darykite atvirkištinė tvarka
- Prieš pradėdami eksploatuoti prietaisą
 - įsitinkinkite, kad papildoma įranga sumontuota patikimai ir tvirtai priveržta
 - patikrinkite, ar sumontuoti įrankiai laisvai sukasi, pasukdami juos ranka
 - patikrinkite prietaiso veikimą: leiskite prietaisui saugioje padėtyje bent 30 sekundžių dirbti be apkrovos didžiausiu greičiu
 - jei prietaisas smarkiai vibruoja ar pastebite kitokius defektus, tuoj pat jį išjunkite ir pasistenkite išsiaiškinti priežastį
- Įjungimas/išjungimas
 - prietaisas įjungiamas/išjungiamas nuspaudžiant/atleidžiant jungiklį H ③
- Elektroninė tolygaus įsibėgėjimo sistema Patikimai leidžia pasiekti maksimalų greitį, išvengiant staigaus prietaiso trūktelėjimo įjungimo metu
- Jungiklio fiksavimas ilgalaikiam darbui
 - nuspauskite jungiklį H
 - nykščiu nuspauskite mygtuką J
 - fiksavimą galite išjungti vėl nuspausdami jungiklį H ir jį atleisdami
- Sūkių reguliavimas ⑥
 - ratuku K galima parinkti norimą maksimalų sūkių skaičių (1-MAX)
 - pradėkite nustatę ratuką K į 1 padėtį (mažu greičiu)
 - jei reikia, instrumentui veikiant pasirinkite didesnę greitį
 - optimalus darbo greitis priklauso nuo medžiagos ir gali būti nustatytas praktiniais bandymais
- Prietaiso naudojimas
 - įjunkite prietaisą
 - visą instrumentą laikykite ant poliruojamo paviršiaus ir judėkite tolygiai
 - vienas judesys turėtų persidengti su puse ankstesnio judesio
 - nesustokite vienoje vietoje, kad nepradegintumėte paviršiaus

- nejudinkite instrumento ratais, kad nepradegintumėte paviršiaus ar ant jo neatsirastų dėmių
- ! **prieš išjungdami prietaisą atitraukite jį nuo ruošinio**
- ! **išjungus prietaisą, įrankis dar kurį laiką sukasi**
- Prietaiso laikymas ir valdymas ⑦
 - ! **dirbdami laikykite prietaisą už pilkos spalvos suėmimo vietos(-ų)**
 - tvirtai laikykite prietaisą abiem rankomis, kad nuolat galėtumėte jį kontroliuoti
 - stovėkite tvirtai
 - ! **dirbdami neapkraukite prietaiso tiek, kad jis sustotų**
 - ventiliacines angas L ③ laikykite neuždengtas

PRIEŽIŪRA / SERVISAS

- Prietaisą saugokite nuo smūgių, sutrenkimų bei tepalų
- Periodiškai valykite prietaisą ir kabelį (ypač ventiliacines angas L ③)
 - ! **prieš valydami ištraukite kištuką iš elektros tinklo lizdo**
 - ! **nemėginkite valyti angų, kišdami į jas aštrius daiktus**
- Jeigu prietaisas, nepaisant gamykloje atliekamo kruopštaus gamybos ir kontrolės proceso, vis dėlto sugestų, jo remontas turi būti atliekamas įgaliotoje SKIL elektrinių įrankių remonto dirbtuvėse
 - **neišardytą** prietaisą kartu su pirkimo čekiu siųskite tiekėjui arba į artimiausią SKIL firmos įgaliotą elektros prietaisų techninio aptarnavimo tarnybą (adresus bei atsarginių dalių brėžinius rasite www.skilmasters.com)

APLINKOSAUGA

- **Nemeskite elektrinių įrankių, papildomos įrangos ir pakuotės į buitinių atliekų konteinerius (galioja tik ES valstybėms)**
 - pagal ES Direktyvą 2002/96/EG dėl naudotų elektrinių ir elektroninių prietaisų atliekų utilizavimo ir pagal vietinius valstybės įstatymus atitarnavę elektriniai įrankiai turi būti surenkami atskirai ir gabenami į antrinių žaliavų tvarkymo vietas, kur jie turi būti sunaikinami ar perdirbami aplinkai nekenksmingu būdu
 - apie tai primins simbolis ⑥, kai reikės išmesti atitarnavusį prietaisą

ATITIKTIES DEKLARACIJA C E

- Atsakingai pareiškiame, kad skyrįje "Techniniai duomenys" aprašytas gaminyje atitinka žemiau pateiktus standartus ir norminius dokumentus: EN 60745, EN 61000, EN 55014 pagal direktyvą 2004/108/EB, 2006/42/EB, 2011/65/ES reikalavimus

- **Техничнe была laikoma:** SKIL Europe BV (PT-SEU/ENG1), 4825 BD Breda, NL

Marijn van der Hoofden
Operations & Engineering

Olaf Dijkgraaf
Approval Manager

SKIL Europe BV, 4825 BD Breda, NL

19.08.2013

TRIUKŠMINGUMAS/VIBRACIJA

- Šio prietaiso triukšmingumas buvo išmatuotas pagal EN 60745 reikalavimus; keliamo triukšmo garso slėgio lygis siekia 86 dB(A) ir akustinio galingumo lygis 97 dB(A) (standartinis nuokrypis: 3 dB), ir vibracijos pagreitis rankos plaštakos srityje tipiniu atveju yra mažesnis, kaip $8,5 \text{ m/s}^2$ (paklaida $K = 1,5 \text{ m/s}^2$)
- Vibracijos sklaidos lygis išmatuotas pagal standarte EN 60745 išdėstytus standartizuoto bandymo reikalavimus; ši vertė gali būti naudojama vienam įrankiui palyginti su kitu bei išankstiniam vibracijos poveikiui įvertinti, kai įrankis naudojamas paminėtais būdais
 - naudojant įrankį kitokiais būdais arba su kitokiais bei netinkamai prižiūrimais priedais, gali žymiai **padidėti** poveikio lygis
 - laikotarpiams, kai įrankis išjungtas arba yra įjungtas, tačiau juo nedirbama, gali žymiai **sumažėti** poveikio lygis
- ! **apsisaugokite nuo vibracijos poveikio prižiūrėdami įrankį ir jo priedus, laikydami rankas šiltai ir derindami darbo ciklus su pertraukėlėmis**

МК

Алат за полирање

9955

УПАТСТВО

- Овој алат е наменет за полирање метал, пластика и обложени површини, како и за полирање на камен без да се користи вода
- Внимателно прочитајте го и зачувајте го ова упатство за ракување ②

ТЕХНИЧКИ ПОДАТОЦИ ①

ЕЛЕМЕНТИ НА АЛАТОТ ③

- A Дополнителна рачка
- B Дополнителна рачка (тип D)
- C Хексагонален клуч
- D Осовина
- E Потпорна подлошка (VELCRO)
- F Копче за заклучување на вретеното
- G Волнена навлака
- H Прекинувач за вклучување/исклучување
- J Копче за блокирање на прекинувачот за вклучување/исклучување
- K Тркалце за контрола на максималната брзина
- L Отвори за вентилација

БЕЗБЕДНОСТ

ОПШТИ УПАТСТВА ЗА БЕЗБЕДНОСТ

⚠ ПРЕДУПРЕДУВАЊЕ! Сите упатства мора да се прочитаат. Непочитување на долу наведените упатства може да предизвика струен удар, пожар и/или тешки повреди. **Чувајте ги сите предупредувања и напатствија за во иднина.** Поимот “електричен алат”, кој се користи во понатамошниот текст, се однесува на вашиот електричен алат (со приклучен кабел) и на електрични алати со погон (без приклучен кабел).

1) БЕЗБЕДНОСТ НА РАБОТНОТО МЕСТО

- Одржувајте го вашето работно место чисто и уредно.** Неуреден или темен работен простор може да предизвикаат незгоди.
- Немојте да работите со уредот во средина во која има опасност од експлозија, во која има запалливи течности, гасови и прашина.** Електричните алати произведуваат искри кои можат да запалат прашина или пара.
- За време на употребата на електричниот алат, децата и останатите лица држете ги подалеку од местото каде работите.** Одвркање, би можеле да изгубите контрола врз уредот.


2) ЕЛЕКТРИЧНА СИГУРНОСТ

- Утинач мора да одговара на приклучокот. Никого не смее да се прават измени на штекерот. Не користете адаптерски штекер заедно со уредот кој е заштитен заземјен.** Не променети штекери и соодветни приклучоци го намалуваат ризикот од електричен удар.
- Избегнувајте допир на телото со заземјени површини, како што се цевки, радијатори, рерни и фрижидери.** Постои зголемена опасност од струен удар, доколку Вашето тело е заземјено.
- Чувајте го уредот подалеку од дожд и влага.** Продирањето на вода во електричниот уред ја зголемува опасност од струен удар.
- Не злоупотребувајте го приклучниот кабел за носење, бесење на уредот или за извлекување на штекерот од мрежниот приклучок. Чувајте го кабелот подалеку од топлина, масло, остри работи или деловите на апаратот кои се движат.** Оштетени или заплеткани кабли ја зголемуваат опасност од струен удар.
- Кога го употребувате полначот надвор, користете продолжен кабел кој е соодветен за употреба на отворен простор.** Примената на продолжен кабел соодветен за работа на отворен простор ја намалува опасноста од струен удар.
- Доколку не може да се избегне работа со електричниот алат во влажна средина, користете прекинувач за струјна заштита при технички проблеми.** Употребата на прекинувачот за струјна заштита при технички проблеми го намалува ризикот од електричен удар.

3) БЕЗБЕДНОСТ НА ЛУЃЕ

- Бидете внимателни, внимавајте што правите и постапувајте внимателно додека работите со електричниот алат. Не работете со уредот**

- доколку сте уморни или под дејство на дрога, алкохол или лекови. Еден момент на невнимание при употребата може да доведе до сериозни повреди.
- b) **Носете ја личната заштитна опрема и секогаш носете заштитни очила.** Носењето на личната заштитна опрема, како што е маската за прашина, безбедносната облека која не се лизга, заштитен шлем или штитник за слух, зависно од видот и примената на електричниот алат, ја намалува опасноста од повреда.
 - c) **Избегнувајте невнимателно вклучување за време на работата. Осигурајте се прекинувачот да биде во “OFF” позиција пред да го ставите штекерот во приклучокот.** Доколку го носите електричниот алат со прстот на прекинувачот или го приклучувате апаратот кој е приклучен со напојување на струја, може да предизвикате незгоди.
 - d) **Пред вклучување на уредот, тргнете ги алатите за подесување или клучот за навртување.** Алатот или клучот кој се наоѓа во вртливиот дел на уредот, може да предизвика незгода.
 - e) **Не ги преценувајте своите способности. Завземете сигурен и стабилен став и во секој момент одржувајте рамнотежа.** На тој начин можете подобро да го контролирате уредот во неочекувани ситуации.
 - f) **Носете соодветна облека. Не носете широка облека или накит. Носата, облената и ракавиците држете ги подалеку од деловите кои се движат.** Комотната облека, накитот или долгата коса може да бидат фатени во деловите кои се движат.
 - g) **Доколку може да се монтираат направи за вшмукување и фаќање прашина, проверете дали се вклучени и дали можат исправно да се користат.** Примената на овие направи ја намалува опасноста од пращината.
- #### 4) ВНИМАТЕЛНА УПОТРЕБА И РАКУВАЊЕ СО ЕЛЕКТРИЧНИТЕ АЛАТИ
- a) **Не го преоперетувајте уредот.** При вашата работа користете го предвидениот електричен алат за таа употреба. Со соодветниот електричен алат ќе работите подобро и посигурно во наведената функционална област.
 - b) **Не користете електричен алат чиј прекинувач е неисправен.** Електричниот алат кој повеќе не може да се вклучува и исклучува е опасен и мора да се поправи.
 - c) **Извлечете го штекерот од приклучокот пред извршување на било какви подесувања на апаратот, замена на приборот или складирање.** Со овие мерки на внимателност ќе се избегне невнимателното вклучување на уредот.
 - d) **Тргнете го електричниот алат кој не го користите од допирот на децата. Не допуштајте работа со него или уредот на лица кои не се запознаени со него или кои го немаат прочитано ова упатство.** Електричните алати се опасни доколку со нив работат неискусни лица.
 - e) **Одржувајте го уредот со внимание. Имајте контрола околу тоа дали движечките делови на**
- уредот работат непрекорно и дали не се заглавени, дали деловите се скршени или оштетени до таа мерка што не може да се обезбеди функционирање на уредот. Пред примената, овие оштетени делови треба да се поправат. Причина за многу незгоди е лошо одржуваниот електричен алат.
- f) **Алатите за сечење одржувајте ги остри и чисти.** Внимателно одржуваните алати за сечење со остри отприци помалку ќе се заглавуваат и со нив работата ќе биде полесна.
 - g) **Електричниот алат, прибор, работни алати итн., треба да ги користите според овие упатства, и на начин кој е опишан за соодветниот тип на уред. При тоа, земете ги предвид работните услови и работата која се извршува.** Употребата на електричните алати за други цели кои не се предвидени, може да предизвика опасни ситуации.
- #### 5) СЕРВИСИРАЊЕ
- a) **Поправката на Вашиот уред препуштете им ја само на обучен, стручен надар на овластен сервисер, и само со оригиналните резервни делови.** На тој начин ќе се обезбеди уредот да остане со зачувана безбедност.
- #### БЕЗБЕДНОСНО УПАТСТВО ЗА АЛАТОТ ЗА ПОЛИРАЊЕ
- 1) **БЕЗБЕДНОСНО УПАТСТВО ЗА СИТЕ ОПЕРАЦИИ**
 - a) **Овој алат на напојување е наменет да служи за полирање. Прочитајте ги сите безбедносни предупредувања, упатства, слики и спецификации што се обезбедуваат со овој алат.** Непочитувањето на сите упатства подолу може да доведе до електричен удар, пожар и/или сериозна повреда..
 - b) **Овој алат не се препорачува за дробење, пескарење, четкање или какви било работи со сечење.** Операциите за кои не е наменет овој алат може да бидат ризични или да предизвикаат лична повреда.
 - c) **Не дозволувајте слободниот дел на навлакната за полирање или некоја од приврзаните жици да се вртат слободно. Притиснете ги или исечете ги разлабавените приврзани жици.** Разлабавените приврзани жици коишто се вртат може да се заплеткаат меѓу прстите или да го удираат предметот на кој што работите.
 - d) **Не користете дополнителна опрема којашто производителот на алатот специфично не ја наменува или препорачува.** Само заради тоа што одредена дополнителна опрема може да се приклучи на алатот, тоа не значи дека ќе обезбеди безбедна работа.
 - e) **Номиналната брзина на дополнителната опрема мора ба биде барем еднаква на максималната брзина посочена на алатот.** Дополнителната опрема којашто работи побргу од номиналната брзина може да се откачи.
 - f) **Надворешниот дијаметар и дебелината на дополнителната опрема мора да бидат во рамките на капацитетот посочен на алатот.**

- Несоодветната големина на дополнителната опрема не може соодветно да се обезбедува и контролира.
- g) **Поставувањето на дополнителната опрема со протнување мора да се совпаѓа со нишката на ободот на брусилката. Кај дополнителната опрема што се поставува со крилца, целиот отвор на опремата мора да се вклопува во дијаметарот на крилцето наоде што ќе се постави.** Дополнителната опрема којашто не соодветствува на елементот за поставување кај алатот нема да работи рамномерно, ќе вибрира прекумерно и може да предизвика да ја загубите контролата.
- h) **Не користете оштетена дополнителна опрема. Проверете ја дополнителната опрема пред секоја употреба за да утврдите дали абразивните тркала содржат парчиња и пукнатини, дали потпорните подлошки имаат пукнатини, дали челичните четки имаат разлабавени или снинати жици. Ако алатот или дополнителната опрема паднат, проверете дали се оштетиле или ставете неоштетена дополнителна опрема.. По проверката и поставувањето на дополнителната опрема, поставете се подалеку од опсегот на ротирачката дополнителна опрема, потоа вклучете го алатот на максималната брзина да работи една минута без оптоварување.** Оштетената дополнителна опрема обично ќе се откачи во текот на овој период за проверка.
- i) **Носете лична опрема за заштита . Зависно од употребата, носете заштита за лице, безбедносни очила или заштитна маска. Ако е соодветно, носете маска за прашина, заштита за уши, ракавици или престилка што имаат капацитет да ги застануваат ситните абразивни честички или остатоци од работата.** Заштитата за очи мора да овозможува застанување на разлетаните остатоци од работата при разни операции. Маската за прашина или респираторот мора да имаат капацитет за филтрирање на честички коишто се генерираат при работата. Продолжено изложување на голема бучава може да го оштети слухот.
- j) **Стојте настрана на безбедно растојание од областа за работа. Сеној што ќе пристапи до областа за работа мора да носи лична опрема за заштита.** Честичките од работата или од скршена дополнителна опрема може да одлетаат и да предизвикаат повреда подалеку од областа за работа.
- k) **Поставете го кабелот подалеку од дополнителната опрема којашто се врти.** Ако изгубите контрола, кабелот може да се пресече или се попречи и раката или дланката може да се повлечат кон дополнителната опрема којашто се врти.
- l) **Никогаш не оставајте го алатот додена дополнителната опрема не се смири во целост.** Опремата којашто се врти може да се закани за површината и да ја изгубите контролата врз алатот.
- m) **Не вклучувајте го алатот додена го носите отстрана.** Случајниот контакт со дополнителната опрема којашто се врти може да се заплетка во облеката и да го повлече алатот кон телото.
- n) **Редовно чистете ги отворите за вентилација на алатот.** Вентилаторот на моторот вовлекува прашина во куќиштето, а прекумерната акумулација на иситнет метал може да предизвика електричен удар.
- o) **Не работете со алатот близу запаливи материјали.** Искрите може да ги запалат овие материјали.
- p) **Не користете дополнителна опрема којашто бара течни разладувачи.** Употребата на вода или други течни разладувачи може да предизвикаат електричен удар или смрт.
- 2) ПОВРАТЕН УДАР И ПОВРЗАНИ ПРЕДУПРЕДУВАЊА**
- Повратен удар е неочекувана реакција на потфатено или заглавено тркало, подлошка, четка или која било друга дополнителна опрема. Потфаќањето или заглавувањето предизвикуваат нагло попречување на вртењето што предизвикува алатот врз кој веќе немате контрола да се потисне во правец обратен од ротацијата на опремата кај точката на поврзување.
 - На пример, ако абразивното тркало се потфати или заглави со остаток од работата, работ на тркалото којшто навлегува во потфатената област може да се закопа во површината на материјалот и со тоа да предизвика тркалото да се откачи или да ве бутне. Тркалото може да отскочне кон или обратно од ракувачот, зависно од правецот на движење на тркалото во моментот на потфаќање. Абразивните тркала може и да се скршат во овие услови.
 - Повратниот удар е резултат на неправилна употреба на алатот и/или несоодветна работна постапка или услови, а може да се избегне ако ги преземете неопходните безбедносни мерки како што е посочено подолу.
- a) **Одржувајте цврст зафат на алатот и поставете ги телото и раката на тој начин со којшто ќе си овозможите да ја издржите силата на повратниот удар. Сеногаш служете се со дополнителната рачка ако се доставува за максимална контрола врз повратниот удар или врз реакцијата од моментот на обрт при вклучување.** Ракувачот може да ги контролира реакциите од моментот на обрт или силата на повратниот удар ако ги преземете неопходните безбедносни мерки.
- b) **Никогаш не ставајте ја раката близу опремата којашто се врти.** Опремата може да удри повратно преку раката.
- c) **Не поставувајте го телото во областа каде алатот би се придвижил ако дојде до повратен удар.** Повратниот удар ќе го потисне алатот во правец обратен од вртењето на тркалото во моментот на потфаќање.
- d) **Обрнете особено внимание кога работите кај агли, остри рабови и слично. Избегнувајте потскокнување и потфаќање на дополнителната опрема.** Аглице, остри рабови или отскокнувањето имаат тенденција да ја потфатат дополнителната

опрема којашто се врти и на тој начин да изгубите контрола или да предизвикате повратен удар.

- e) **Не ставајте сечиво за резбареење на моторна пила или сечиво на пила со запци.** Таквите сечива предизвикуваат чести повратни удари и загуба на контролата.

ОПШТИ

- Користете го овој алат само за полирање
- Користете ги исклучиво рабовите кои сте ги добиле со овој алат
- Овој алат не треба да го користат лица под 16 години
- **Обезбедете се алатот да е исклучен од струја пред да вршите било какво подесување или замена на приборот**
- **Не обработувајте никаков материјал кој содржи азбест** (азбестот важи за предизвикувач на рак)

ПРИБОР

- SKIL може да признае гаранција само доколку е користен соодветен прибор кој може да се набаво во сите SKIL продавници
- За поставување и користење на приборите кои не се SKIL погледнете го упатството на производителот
- Користете само прибор чија дозволена брзина е во најмала рака еднаква на најголемата брзина при празен од на електричниот алат
- Никогаш не користете прибор со отвор на "слепи" навивки помали од M14 x 21mm
- Не користете оштетена, деформирана или опрема којашто вибрира

КОРИСТЕЊЕ НА ОТВОРЕНО

- Кога го користите на отворено, поврзете го алатот преку осигурувач за струја (FI) за погрешно напојување во струја за прекинување со максимум 30 mA и користете продолжен кабел којшто е наменет за употреба на отворено и опремен со водоотпорен приклучок

ПРЕД УПОТРЕБА

- Секогаш проверувајте напонот да е ист со оној кој е назначен на плочката на алатот (алатите за напон од 230V или 240V исто така може да се поврзат и на напон од 220V)
- Секогаш поставувајте ја дополнителната рачка A ③ или B ③; никогаш не користете го алатот без неа
- Прашината од материјали како боја која содржи олово, некои видови дрво, минерали и метали, може да биде штетна за здравјето (контактот со прашината или нејзиното вдишување може да шредизвика алергии и/или болести на дишните органи за оној кој работи со алатот или луѓето во близина); **носете маска за прашина и работете со правосмукалки доколку можете да ги поврзете**
- Некои видови на прашина се канцерогени (како на пример прашината од даб или бука), особено заедно со адитиви за одржување на дрвото; **носете масна за прашина и работете со правосмукалки доколку можете да ги поврзете**
- Следете ги процедурите на вашата земја за прашината која се јавува како резултат од материјалите со кои работите

- **Зацврстете го материјалот кој го обработувате** (обработка која е зацврстена со стеги или во менгеме е побезбедна отколку да ја држите со раце)
 - Немојте да го прицврстувате електричниот алат во менгеме
 - Продолжениот кабел кој го користите, мора да биде сосема одмотан и безбеден, со капацитет од 16 A
- ## ВО ТЕНОТ НА УПОТРЕБАТА
- Кога работите, цврсто држете го алатот со двете раце и заземете безбеден став
 - Кабелот секогаш држете го подалеку од деловите на алатот кои се движат; кабелот држете го на задната страна, на страна од алатот
 - Ако кабелот се оштети или пресече за време на работата, веднаш исклучете го и не го допирајте
 - Никогаш не користете алат ако кабелот е оштетен; замената на кабелот мора да ја изврши стручно лице
 - Во случај да дојде до електричен или механички дфект, веднаш исклучете го алатот и исклучете го од приклучокот
 - Доколку дојде до прекин на струја или случајно откачување на приклучокот, отпуштете го прекинувачот H ③ за да попречите неконтролирано повторно подвижување

ПО УПОТРЕБА

- Исклучете го моторот пред да го спуштите алатот и проверете дали сите подвижни делови се комплетно застанати
- По исклучувањето на електричниот алат, никогаш не го запирајте вртењето на приборот со користење на странична сила

УПОТРЕБА

- Поставување на дополнителните рачки ⑤
 - ! **извлечете го приклучокот ако кабелот**
 - зашрафете ја дополнителната рачка A оддесно или одлево на алатот (зависно од работата што треба да се заврши)
 - поставете ја дополнителната рачка B како што е прикажано на сликата и затегнете ги двата шрафа со доставениот клуч C
- Поставување на приборот ③
 - ! **извлечете го приклучокот ако кабелот**
 - исчистете го вретеното D и сите делови што ќе ги поставите
 - зашрафете ја подлошката од ВЕЛКРО-материјал E на осовината D со притискање на копчето за заклучување на оската F
 - ! **притискајте го копчето за заклучување на осовината F само кога осовината D е целосно застаната**
 - едноставно притиснете ја волнената навлака G на потпорната подлошка од ВЕЛКРО E
 - за отстранување на рачките на приборот
- Пред користење на електричниот алат
 - проверете дали е приборот исправно поставен и силно прицврстен
 - проверете дали приборот може да се помести, така што рачно ќе го стартувате
 - пробно вклучете го алатот најмалку 30 секунди на најголема брзина во празен од и во сигурна положба

- веднаш престанете со работата доколку дојде до поголеми вибрирања или други неправилности во работата и прегледајте го алатот, за да ја одредите причината
- Вклучено/Исклучено
 - алатот вклучете/исклучете го со повлекување/пуштање на прекинувачот Н ③
- Електронско меко вклучување
Обезбедува внимателно постигнување максимална брзина без неочекувано влијание кога ќе се вклучи алатот
- Блокирање на прекинувачот за постојана употреба
 - повлечете го прекинувачот Н
 - притиснете го копчето J со палецот
 - отклучете го прекинувачот со повторно повлекување на прекинувачот Н и отпуштање
- Контрола на брзината ⑥
 - Со тркалото K максималната брзина може да се приспособи од ниска до висока (1-МАХ)
 - започнете со тркалото K во позиција 1 (најмала брзина)
 - ако е потребно, изберете поголема брзина додека работи тркалото
 - оптималната работна брзина зависи од материјалот и може да се одреди преку практични проби
- Работа со алатот
 - вклучете го алатот
 - поставете го алатот целосно врз површината којашто треба да се полира и движете рамномерно по делови
 - еднотно движење треба да го преклопи претходното за една половина
 - не застанувајте на една точка за да избегнете горење на подлогата
 - не движете го алатот во кругови за да избегнете дамки или горење на подлогата
 - ! **уредот треба да се подигне од работната површина пред тој да биде исклучен**
 - ! **приборот се врти уште некое време по исклучувањето на електричниот алат**
- Држење и насочување на алатот ⑦
 - ! **додека работите, секогаш држете го алатот за местото (местата) кое (кои) се означени со сива боја**
 - електричниот алат секогаш држете го силно со двете раце, за да можете во секој момент да имате целосна контрола врз него
 - секогаш бидете во сигурна положба
 - ! **не применувајте премногу сила врз алатот со што ќе предизвикате комплетно застанување**
 - отворите за ладење L ③ држете ги отворени

ОДРЖУВАЊЕ/СЕРВИСИРАЊЕ

- Заштитете го алатот од удари, потреси и масти
- Алатот и кабелот секогаш да се одржуваат чисти (особено отворите за ладење L ③)
 - ! **пред чистење извадете го алатот од приклучоно**
 - ! **не обидувајте се да ги чистите отворите за вентилација со вметнување на остри предмети низ отворите**

- Доколку алатот и покрај внимателното работење и контрола некогаш откаже, поправката мора да ја изврши некој овластен SKIL сервис за електрични алати
 - во случај на примедба, испратете го алатот **нерасклопен**, заедно со сметкопотврдата, до вашиот продавач или најблискиот SKIL сервис (адресите се наведени на www.skilmasters.com)

ЗАШТИТА НА ЖИВОТНАТА СРЕДИНА

- **Не се ослободувајте од елентични алати, уреди или амбалажа преку нивно фрлање во домашното ѓубре** (само за земјите на ЕУ)
 - според Европската Директива 2002/96/EC за ослободување од електрична и електронска опрема и нејзина имплементација во согласност со националните закони, електричните алати кои го достигнале крајот на својот животен век мора да бидат собрани посебно и да бидат вратени во соодветен објект за рециклирање
 - симболот ⑧ ќе ве потсетува на ова кога ќе дојде време алатот да го фрлите

ДЕКЛАРАЦИЈА ЗА УСОГЛАСЕНОСТ СЕ

- Со целосна одговорност изјавуваме дека производот опишан кај “Технички податоци” е усогласен со следните стандарди или документи за стандардизација: EN 60745, EN 61000, EN 55014 во согласност со одредбите во директивите 2004/108/EG, 2006/42/EG, 2011/65/EY
- **Техничко доѕие во:** SKIL Europe BV (PT-SEU/ENG1), 4825 BD Breda, NL

Marijn van der Hoofden
Operations & Engineering

Olaf Dijkgraaf
Approval Manager




SKIL Europe BV, 4825 BD Breda, NL

19.08.2013

БУЧАВА/ВИБРАЦИИ

- Мерено во согласност со EN 60745 нивото на звучен притисок е 86 dB(A) а нивото на звучна моќност 97 dB(A) (стандардно отстапување: 3 dB), и вибрација 8,5 m/c² (hand-arm метода; несигурност K = 1.5 m/c²)
- Нивото на емитување на вибрации кое е наведено на задниот дел на ова упатство е измерено во согласност со стандардизираниот тест даден во EN 60745; може да се користи за да се спореди еден алат со друг, и како првична оценка за изложеноста на вибрации кога се користи алатот за споменатите примени
 - користењето на алатот за разни примени, или со различни или неправилно чувани делови, може да доведе до значајно **зголемување** на нивото на изложеност

- кога алатот е исклучен или кога алатот е вклучен но не врши некаква работа, може да дојде до значително **намалување** на нивото а изложеност
- ! **заштитете се од ефектите на вибрациите преку одржување на алатот и неговите делови, одржување на топлината во вашите раце, и организирање на вашата работа**

AL

Pajisja lëmuese

9955

HYRJE

- Kjo vegël është e projektuar për lëimin e sipërfaqeve metalike, plastike dhe të veshura si dhe për lëimin e materialeve prej guri pa përdorimin e ujit
- Lexoni dhe ruani këtë manual të përdorimit ②

TË DHËNAT TEKNIKE ①

ELEMENTET E PAJISJES ③

- A Doreza ndihmëse
- B Doreza ndihmëse (Iloji D)
- C Çelësi heksagonal
- D Boshti rrotullues
- E Fleta mbështetëse (VELCRO)
- F Butoni i bllokimit të boshtit
- G Mbulesa prej leshi
- H Çelësi i ndezjes/fikjes
- J Kapësja për bllokimin e çelësit të ndezjes/fikjes
- K Rrota për kontrollin e shpejtësisë maksimale
- L Të çarat e ajrosjes

SIGURIA

UDHËZIMET E PËRGJITHSHME PËR SIGURINË

PARALAJMËRIM! Lexoni të gjitha paralajmërimet e sigurisë dhe të gjitha udhëzimet. Mosrespektimi i paralajmërimeve dhe udhëzimeve mund të rezultojë në goditje elektrike, zjarr dhe/ose dëmtime të rënda. **Ruani të gjitha paralajmërimet dhe udhëzimet për referencë në të ardhmen.** Termi “pajisje elektrike” në paralajmërimet i referohet pajisjes elektrike që përdoret nga priza (me kablo) ose pajisjes elektrike me bateri (pa kablo).

1) SIGURIA E ZONËS SË PUNËS

- a) **Mbajeni zonën e punës të pastër dhe të ndriçuar mirë.** Zonat e çrregullta ose të errëta janë një ftesë për aksidente.
- b) **Mos i përdorni pajisjet elektrike në situata me mundësi shpërthimi, si në prani të lëngjeve, gazeve ose pluhurave të djegshëm.** Pajisjet elektrike shkaktojnë shkëndija që mund të ndezin pluhurat ose avujt.
- c) **Mbajini fëmijët dhe personat e tjerë larg gjatë përdorimit të veglës së punës.** Tërheqja e vëmendjes mund të shkaktojë humbjen e kontrollit.

2) SIGURIA ELEKTRIKE

- a) **Spinat e veglës së punës duhet të përputhen me prizën. Mos modifikoni kurrë spinën në asnjë mënyrë.** Mos përdorni asnjë spinë përshtatëse me veglat e punës me tokëzim. Spinat e pamodifikuara dhe prizat përshtatëse do të zvogëlojnë rrezikun e goditjes elektrike.
- b) **Shmangni kontaktin trupor me sipërfaqe të tokëzuara si tuba, radiatorë, soba dhe frigoriferë.** Ka një rrezik më të madh të goditjeve elektrike nëse trupi është i tokëzuar.
- c) **Mos ekspozoni veglat e punës në shi ose në kushte me lagështi.** Uji që hyn në veglën e punës do të rritë rrezikun e goditjes elektrike.
- d) **Mos abuzoni me kordonin. Mos e përdorni kurrë kordonin për transportin, tërheqjen ose heqjen e spinës së veglës së punës.** Mbajeni kordonin larg nga nxehtësia, vaji, anët e mprehta ose pjesët që lëvizin. Kordonët e dëmtuar ose e bllokuar rrisin rrezikun e goditjes elektrike.
- e) **Kur përdorni një vegël pune në mjedise të jashtme, përdorni një kordon zgjatues të përshtatshëm për përdorim në mjedise të jashtme.** Përdorimi i një kordoni të përshtatshëm për përdorime në mjedise të jashtme zvogëlon rrezikun e goditjes elektrike.
- f) **Nëse përdorimi i veglës së punës në një vend me lagështi është i pashmangshëm, përdorni një automat qarku me shkarkesë me tokëzim.** Përdorimi i një automati me shkarkesë me tokëzim zvogëlon rrezikun e goditjes elektrike.

3) SIGURIA PERSONALE

- a) **Qëndroni në gatishmëri, shikoni se çfarë po bëni dhe përdorni gjykimin kur përdorni një vegël pune.** Mos e përdorni një vegël pune kur jeni i lodhur ose nën ndikimin e ilaçeve, alkoolit ose mjekimit. Një moment humbje e vëmendjes gjatë përdorimit të veglave të punës mund të shkaktojë dëmtime të rënda personale.
- b) **Përdorni pajisje personale mbrojtëse. Mbani gjithmonë pajisje për mbrojtjen e syve.** Pajisjet mbrojtëse si maska kundër pluhurit, këpucët që nuk rrëshqasin, kaskat ose pajisjet për mbrojtjen e veshëve për kushtet përkatëse do të zvogëlojnë dëmtimet personale.
- c) **Parandaloni ndezjen e rastësishme. Sigurohuni që çelësi është në pozicionin fikur para se të lidhni burimin e energjisë dhe/ose baterinë, para se të merrni ose të transportoni pajisjen.** Transportimi i veglave të punës me gishtin në çelës ose aktivizimi i veglave të punës që kanë çelësin të ndezur është një ftesë për aksidente.
- d) **Hiqni çdo çelës ose çelës përshtatës para ndezjes së veglës së punës.** Një çelës i lënë i lidhur me një pjesë rrotulluese të veglës së punës mund të shkaktojë dëmtime personale.
- e) **Mos u zgjasni. Mbani një vendosje të mirë të këmbëve dhe një ekuilibër të mirë në çdo moment.** Kjo gjë bën të mundur një kontroll më të mirë të veglës së punës në situata të papritura.
- f) **Vishuni në mënyrën e duhur. Mos vishni veshje të gjera ose bizhuteri. Mbani flokët, veshjet dhe dorashkat larg nga pjesët lëvizëse.** Veshjet e gjera,

bizhuteritë ose flokët e gjatë mund të kapen nga pjesët në lëvizje.

- g) Nëse janë ofruar pajisje për lidhjen e pajisjeve të mbledhjes dhe nxjerrjes së pluhurave, sigurohuni që ato të jenë të lidhura dhe të përdoren si duhet. Përdorimi i mbledhjes së pluhurave mund të zvogëlojë rreziqet në lidhje me pluhurat.
- 4) **PËRDORIMI DHE KUJDESI PËR VEGLËN E PUNËS**
- a) **Mos ushtroni forcë mbi veglën e punës. Përdorni veglën e punës të duhur për përdorimin tuaj.** Vegla e punës e duhur do të realizojë një punë më të mirë dhe më të sigurt dhe me shpejtësinë që ajo është e projektuar.
- b) **Mos përdorni veglën e punës nëse çelësi nuk e ndez apo e fik.** Çdo vegël pune që nuk mund të kontrollohet me anë të çelësit është e rrezikshme dhe duhet të riparohet.
- c) **Shkëputni spinën nga burimi i energjisë dhe/ose baterinë nga vegla e punës para se të bëni rregullime të tjera, të ndryshoni aksesoret ose të ruani veglat e punës.** Këto masa parandaluese të sigurisë ulin rrezikun e ndezjes aksidentale të veglës së punës.
- d) **Mbani veglat e punës larg fëmijëve dhe mos lejoni personat e pamësuar me veglën e punës ose këto udhëzime për përdorimin e pajisjes.** Veglat e punës janë të rrezikshme në duart e përdoruesve të patrajnuar.
- e) **Mirëmbani veglat e punës. Kontrolloni për mospërshtatje ose bllokim të pjesëve lëvizëse, thyerje të pjesëve dhe gjendje të tjera që mund të ndikojnë në funksionimin e veglës së punës.** Nëse dëmtohet, riparohet veglën e punës para përdorimit. Shumë aksidente shkaktohen nga veglat e punës jo të mirëmbajtura si duhet.
- f) **Mbajni pajisjet prerëse të pastra dhe të mprehta.** Pajisjet e prerjes të mirëmbajtura dhe me anë të mprehta kanë më pak mundësi për t'u bllokuar dhe janë më të lehta për t'u kontrolluar.
- g) **Përdorni veglat e punës, aksesoret dhe puntot, etj. në përputhje me këto udhëzime, duke marrë parasysh kushtet e punës dhe punën që do të kryhet.** Përdorimi i veglave për përdorime të ndryshme nga ato të përcaktuara mund të shkaktojë rreziqe.

5) SHËRBBIMI

- a) **Shërbimi i veglës së punës duhet të kryhet nga një person i kualifikuar për riparimet duke përdorur vetëm pjesë ndërrimi identike.** Kjo gjë do të sigurojë ruajtjen e sigurisë së veglave të punës.

UDHËZIMET E SIGURISË PËR PAJISJET LËMUESE

1) UDHËZIMET E SIGURISË PËR TË GJITHA VEPRIMET

- a) **Kjo vegël pune është prodhuar për t'u përdorur si pajisje lëmuere. Lexoni të gjitha paralajmërimet e sigurisë, udhëzimet, ilustrimet dhe specifikimet të dhëna me këtë vegël pune.** Mosrespektimi i të gjitha udhëzimeve më poshtë mund të rezultojë në goditje elektrike, zjarr dhe/ose dëmtime të rënda.
- b) **Kjo vegël pune nuk rekomandohet për mprehje, smerilim, fërkimin me tel ose për veprimet prerëse.** Veprimet për të cilat nuk është i përcaktuar përdorimi i kësaj vegle, mund të shkaktojnë një rrezik dhe të shkaktojnë lëndime personale.
- c) **Mos lejoni që pjesët e liruara të mbulesës lëmuere ose të spangove të lidhjes të rrotullohen lirish.** Largoni ose prisni çdo spango të lirshme të lidhjes. Spangot e lidhjes që janë të liruara dhe që rrotullohen, mund të ngatërrohen me gishtat ose të ngecin në materialin e punës.
- d) **Mos përdorni aksesore që nuk janë të projektuar dhe të rekomanduar në mënyrë specifike nga prodhuesi i pajisjes.** Vetëm fakti se aksessori mund të lidhet me veglën e punës nuk garanton një përdorim të sigurt.
- e) **Shpejtësia nominale e aksesorit duhet të jetë të paktën e barabartë me shpejtësinë maksimale në veglën e punës.** Aksesorët që punojnë më shpejt se shpejtësia e tyre nominale mund të shkëputen e të fluturojnë.
- f) **Diametri i jashtëm dhe trashësia e aksesorit tuaj duhet të jetë brenda vlerës së kapacitetit të veglës së punës.** Aksesorët me madhësi të gabuara nuk mund të ruhen ose të kontrollohen si duhet.
- g) **Montimi me filetim i aksesorëve duhet të përputhet me filetimin e boshtit të pajisjes mprehëse. Për aksesoret që montohen me flanaxha, vrima e boshtit kryesor të aksesorit duhet të përputhet me diametrin e vendosjes së flanaxhës.** Aksesorët që nuk përputhen me mekanizmin e montimit të veglës së punës do të humbin ekuilibrin, do të dridhen më shumë se sa duhet dhe mund të shkaktojnë humbje të kontrollit.
- h) **Mos përdorni një aksesor të dëmtuar. Para çdo përdorimi, kontrolloni aksesoret si rrotat gërryese për krisje ose cfilosje, fletët mbështetëse për krisje, çarja ose konsum të tepërt, furçat e telit për tela të liruar ose të thyer. Nëse vegla e punës ose aksessori ju bie, kontrolloni për dëmtime ose montoni një aksesor të padëmtuar. Pasi të kontrolloni dhe të montoni një aksesor, qëndroni dhe vendosni personat e tjerë larg nga plani i aksesorit rrotullues dhe përdorini veglën e punës me shpejtësi maksimale pa ngarkesë për një minutë.** Aksesorët e dëmtuar normalisht do të thyhen gjatë kësaj kohe prove.
- i) **Përdorni pajisje personale mbrojtëse ④. Në varësi të punës, përdorni mbrojtëse për fytyrën, syze ose maska sigurie. Sipas nevojës, mbani maska për pluhurat, mbrojtëse për dëgjimin, doreza dhe përparëse pune që mund të ndalojnë fragmentet e vogla gërryese ose të materialit të punës.** Mbrojtëset e syve duhet të arrijnë të ndalojnë copëzat që fluturojnë të krijuara nga përdorimet e ndryshme. Maska e pluhurave ose respiratori duhet të arrijnë të filtrojnë grimcat e krijuara nga veprimi tuaj. Ekspozimi i gjatë ndaj zhurmave me intensitet të lartë mund të shkaktojë humbje të dëgjimit.
- j) **Mbajni personat e tjerë larg në një distancë të sigurt nga zona e punës. Çdo person që hyn në zonën e punës duhet të veshë pajisje personale mbrojtëse.** Fragmentet e materialit të punës ose të një aksesorit të thyer mund të fluturojnë dhe të shkaktojnë lëndime jashtë zonës direkte të punës.
- k) **Vendoseni kordonin larg aksesorit rrotullues.** Nëse humbni kontrollin, kordoni mund të pritët ose të ngecë dhe dora ose krahu juaj mund të tërhiqet në aksesorin rrotullues.

l) **Mos e lini kurrë poshtë veglën e punës deri sa aksesori të ndalojë plotësisht.** Aksesori rrotullues mund të kapet në sipërfaqe dhe të bëjë që vegla e punës të dalë nga kontrolli.

m) **Mos e aktivizoni veglën e punës kur e transportoni ose e mbani në krah.** Kontakti aksidental me aksesori rrotullues mund të shkaktojë ngecjen në rroba, duke e tërhequr aksesori drejt trupit.

n) **Pastroni rregullisht vrimat e ajrimit të veglës së punës.** Ventilatori i motorit tërheq pluhurat në kasë dhe grumbullimi i tepërt i metaleve në formë pluhuri mund të shkaktojë rrezik nga elektriciteti.

o) **Mos e përdorni veglë e punës afër materialeve të djegshme.** Shkëndijat mund t'i ndezin materialet.

p) **Mos përdorni aksesorë që kërkohen ftohës të lëngshëm.** Përdorimi i ujit ose ftohësve të tjerë të lëngshëm mund të shkaktojë goditje ose shkarkesë elektrike.

2) GODITJA E KTHIMIT DHE PARALAJMËRIMET PËRKATËSE

- Goditja e kthimit është një reagim i papritur i një rrote rrotulluese, flete mbështetëse, fuçe ose aksesori tjetër të kapur ose të ngecur. Ngecja ose bllokimi shkakton ndalimin e menjëhershëm të aksesorit rrotullues i cili më pas bën që vegla e punës jashtë kontrollit të lëvizë në drejtimin e kundërt të rrotullimit të aksesorit në pikën e bllokimit.

- Për shembull, nëse një rrotë gërryese ngec ose kapet te materiali, ana e rrotës që futet në pikën e bllokimit mund të ngulet në sipërfaqen e materialit duke bërë që rrota të ngrihet ose të goditet. Rrota mund të kërcëjë drejt ose larg nga përdoruesi, në varësi të drejtimit të lëvizjes së rrotës në pikën e bllokimit. Rrotat gërryese mund të thyhen gjithashtu në këto kushte.

- Goditja e kthimit është rezultat i keqpërdorimit të veglës së punës dhe/ose procedurave ose kushteve të papërshtatshme të funksionimit dhe mund të shmanget duke ndërmarrë masat paraprake të duhura si më poshtë.

a) **Mbajeni mirë veglën e punës dhe pozicioni trupin dhe krahun në mënyrë të tillë që t'i përballojnë forcat e goditjes së kthimit.** Përdorni gjithmonë një dorezë ndihmëse, nëse ka, për një kontroll maksimal mbi goditjen e kthimit ose reagimin ndaj rrotullimit gjatë ndezjes. Përdoruesi mund të kontrollojë reagimet e forcës rrotulluese ose forcat e goditjes së kthimit nëse merren masat e duhura.

b) **Mos vendosni kurrë dorën afër aksesorit rrotullues.** Aksesori mund të shkaktojë goditjen e kthimit mbi dorë.

c) **Mos u poziciononi në zonën ku mund të lëvizë vwegla e punës nëse ndodh goditja e kthimit.** Goditja e kthimit do ta lëvizë veglën në drejtimin e kundërt me lëvizjen e rrotës në pikën e bllokimit.

d) **Kini shumë kujdes kur punoni me cepat, anë të mprehta, etj. Shmangni kërcimin ose ngecjen e aksesorit.** Cepat, anët e mprehta ose kërcimet kanë tendencën që të bllokohen aksesorin rrotullues dhe të shkaktojnë humbjen e kontrollit ose goditjen e kthimit.

e) **Mos lidhni një thikë druri të zinxhirit të sharrës ose një thikë sharre me dhëmbë.** Thika të tilla shkaktojnë shpesh goditje kthimi dhe humbje kontrolli.

TË PËRGJITHSHME

- Përdorni këtë vegël vetë për lëvim në të thatë
- Përdorni vetëm filnaxhat që shoqërojnë këtë vegël
- Kjo pajisje nuk duhet të përdoret nga personat nën moshën 16 vjeç
- Shkëputni gjithmonë spinën nga burimi i energjisë para kryerjes së rregullimeve ose ndryshimeve të aksesorëve**
- Mos punoni me materiale që përmbajnë asbest** (asbesti konsiderohet kancerogjen)

AKSESORËT

- SKIL mund të garantojë funksionimin pa probleme të veglës vetëm kur përdoren aksesorët e duhur që mund të merren nga shitësi i SKIL
- Për montimin/përdorimin e aksesorëve jo nga SKIL, ndiqni udhëzimet e prodhuesit përkatës
- Përdorni vetëm aksesorë me një shpejtësi të lejuar që përshtatet të paktën me shpejtësinë më të lartë pa ngarkesë të pajisjes
- Mos përdorni kurrë aksesorë më një vrimë me fileto "të mbyllur" më të vogël se M14 x 21 mm
- Mos përdorni aksesorë të dëmtuar, të deformuar ose që dridhen

PËRDORIMI NË AMBIENTE TË JASHTME

- Kur e përdorni në ambiente të jashtme, lidhni pajisjen me një automat të korrentit të defektit (FI) me rrymë aktivizuese maksimumi 30 mA, dhe përdorni vetëm një kordon zgjatues të projektuar për përdorim në ambiente të jashtme me një prizë kundër ujit

PARA PËRDORIMIT

- Kontrolli gjithmonë që voltazhi i energjisë të jetë i njëjtë si voltazhi që tregohet në etiketën e veglës (veglat me klasifikimin 230 V ose 240 V mund të lidhen po ashtu me një burim 220 V)
- Montoni gjithmonë dorezën ndihmëse A ③ ose B ③; mos e përdorni kurrë veglën pa të
- Pluhurat nga materialet si boja me plumb, disa lloje drurësh, mineralesh dhe metalesh mund të jenë të dëmshme (kontakti ose thithja e pluhurave mund të shkaktojë reagime alergjike dhe/ose sëmundje respiratore për përdoruesin ose personat përreth); **mbani një maskë për pluhurat dhe punoni me një pajisje për heqjen e pluhurave kur mund të lidhet**
- Disa lloje pluhurash kanë klasifikuar si kancerogjene (si pluhuri i lisit dhe i ahut) veçanërisht në ndërthurje me lëndët shtesë për kondicionimin e drurit; **mbani një maskë për pluhurat dhe punoni me një pajisje për heqjen e pluhurave kur mund të lidhet**
- Respektoni kërkesat kombëtare në lidhje me pluhurat për materialet me të cilat dëshironi të punoni
- Siguroi materialin e punës** (një material i shtrënguar me një pajisje shtrëngimi ose morsë mbahet në mënyrë më të sigurt se sa me dorë)
- Mos e shtrëngoni veglën në një morsë
- Përdorni kordonë të pahapur dhe të sigurt për zgjatime, me një kapacitet 16 amper

GJATË PËRDORIMIT

- Kur punoni, mbajeni gjithmonë veglën mirë me të dyja duart dhe mbani një qëndrim të sigurt
- Mbajeni gjithmonë kordonin larg nga pjesët e lëvizshme të veglës; drejtojeni kordonin në anën e pasme, larg nga vegla

- Nëse kordoni dëmtohet ose pritet gjatë punës, mos e prekni kordonin por hiqni menjëherë spinën
- Mos e përdorni kurrë veglën kur kordoni është i dëmtuar; zëvendësojeni nga një person i kualifikuar
- Në rast të një defekti elektrik ose mekanik, fikni menjëherë pajisjen dhe hiqni spinën
- Në rast të ndërprerjes së energjisë ose kur hiqet aksidentalisht spina, lëshoni çelësin H ③ për të parandaluar rindezjen e pakontrolluar

PAS PËRDORIMIT

- Para se ta ulni pajisjen, fikeni motorin dhe sigurohuni që të gjitha pjesët lëvizëse të kenë ndaluar plotësisht
- Pas fikjes së veglës, mos e ndaloni kurrë rrotullimin e aksesorit duke ushtruar një forcë anësore

PËRDORIMI

- Montimi i dorezave ndihmëse ⑤
 - ! **hiqni spinën**
 - vidhosni dorezën ndihmëse A në të djathtë ose në të majtë të veglës (në varësi të punës që do të kryhet)
 - montoni dorezën ndihmëse B si në ilustrim dhe shtrëngoni të dyja vidat e përfshira me çelësin heksagonal C
- Montimi i aksesoreve ③
 - ! **hiqni spinën**
 - pastroni boshtin kryesor D dhe të gjitha pjesët që do të montohen
 - vidhosni fletën mbështetëse VELCRO E në boshtin kryesor D ndërsa shtypni butonin e bllokimit të boshtit F
 - ! **shtypni butonin e bllokimit të boshtit rrotullues F vetëm kur boshti D të jetë e palëvizshme**
 - thjesht shtypni kapakun e leshtë G në mbështetësen VELCRO E
 - për heqjen e dorezës së aksesoreve anasjelltas
- Para përdorimit të veglës
 - sigurohuni që aksesori të jetë i montuar si duhet dhe të jetë i shtrënguar mirë
 - kontrolloni nëse aksesori lëviz lirshëm duke e rrotulluar me dorë
 - ndizeni veglën për provë për të paktën 30 sekonda me shpejtësinë më të lartë pa ngarkesë në një pozicion të sigurt
 - ndalojeni menjëherë në rast të dridhjeve të shumta ose defekteve të tjera dhe kontrolloni veglën për të përcaktuar shkakun
- Ndezje/Fikje
 - ndizeni/fikeni pajisjen duke tërhequr/lëshuar çelësin H ③
- Ndezja e butë elektronike
 - Siguron arrijtjen e shpejtësisë maksimale me qetësi pa goditje të papritur kur ndizet vegla
- Bllokimi i çelësit për përdorim në vazhdim
 - tërhiqni çelësin H
 - shtypni kapësen J me gishtin e madh
 - zhblokoni çelësin duke tërhequr përsëri çelësin H dhe më pas lëshojeni atë
- Kontrolli i shpejtësisë ⑥
 - me anë të rrotës K shpejtësia maksimale mund të ndryshohet nga e ulët në e lartë (1-MAX)
 - filloni me rrotën K në pozicionin 1 (shpejtësia e ulët)

- nëse duhet, zgjidhni një shpejtësi më të lartë kur vegla është në punë
- shpejtësia optimale e punës varet nga materiali dhe funksionimi i veglës
- ndizeni veglën
- vendoseni të gjithë veglën mbi sipërfaqen e lustrimit dhe lëvizeni njëtrajtësisht sipas seksioneve
- një lëvizje duhet të mbivendoset te lëvizja e mëparshme me një e gjysmë
- mos ndalni në një pikë të vetme për të shmangur djegjen e veshjes
- mos e lëvizni pajisjen në formë rrathësh për të shmangur krijimin e njollave ose djegjen e veshjes
- ! **para se ta fikni veglën, ju duhet ta ngrini atë nga materiali i punës**
- ! **aksesori vazhdon të rrotullohet për pak kohë pas fikjes së veglës**
- Mbatja dhe drejtimi i veglës ⑦
 - ! **gjatë punës, mbajeni gjithmonë veglën në zonën(at) e dorezës me ngjyrë gri**
 - mbajeni gjithmonë veglën mirë me të dyja duart, në mënyrë që të keni kontroll të plotë të veglës në të gjitha momentet
 - garantoni një qëndrim të sigurt
 - ! **mos ushtroni shumë presion mbi pajisje sa të ndalojë plotësisht**
 - mbajeni të çarat e ajrimit L ③ të pambuluara

MIRËMBAJTJA / SHËRBIMI

- Mbroni veglën nga goditjet, përplasjet ose grasoja
- Mbajeni gjithmonë veglën dhe kordonin të pastër (veçanërisht të çarat e ajrosjes L ③)
 - ! **shkëputni spinën para pastrimit**
 - ! **mos u përpiqni të pastroni fletët e ajrimit duke futur objekte me majë nëpërmjet të çarave**
- Nëse pajisja ka defekt pavarësisht kujdesit në prodhim dhe procedurat e provave, riparimi duhet të kryhet nga një qendër e shërbimit pas shitjes për veglat e punës të SKIL
 - dërgoni veglën të çmontuar së bashku me vërtetimin e blerjes te shitësi ose te qendra më e afërt e shërbimit e SKIL (adresat si dhe diagrami i shërbimit i veglës janë të paraqitura në www.skilmasters.com)

MJEDISI

- **Mos i hidhni veglat elektrike, aksesorët dhe paketimin së bashku me materialet e mbeturinave familjare** (vetëm për vendet e BE-së)
 - në respektim të Direktivës evropiane 2002/96/EC për pajisjet elektrike dhe elektronike si mbetje dhe zbatimin e saj në përputhje me ligjet kombëtare, pajisjet elektrike që kanë arritur në fund të jetëgjatësisë së tyre duhet të mblidhen të ndara dhe të kthehen në një objekt riciklimi në përputhje me mjedisin.
 - simboli ⑧ do t'ju kujtojë për këtë gjë kur të jetë nevojta për t'i hedhur

DEKLARATA E KONFORMITETIT CE

- Ne deklarojmë me përgjegjësinë tonë të vetme se ky produkt i përshkruar në "Të dhëat teknike" është në përputhje me standardet ose dokumentet e standardizimit si më poshtë: EN 60745, EN 61000, EN 55014 në përputhje me dispozitat e direktivave 2004/108/EC, 2006/42/EC, 2011/65/EU
- **Dosja teknike në:** SKIL Europe BV (PT-SEU/ENG1), 4825 BD Breda, Holandë

Marijn van der Hoofden
Operations & Engineering

Olaf Dijkgraaf
Approval Manager

SKIL Europe BV, 4825 BD Breda, NL

19.08.2013

ZHURMA/VIBRIMI

- E matur në përputhje me EN 60745, niveli i trysnisë së tingullit i kësaj pajisje është 86 dB(A) dhe niveli i fuqisë së tingullit 97 dB(A) (shmangia standarde: 3 dB) dhe vibrimi $8,5 \text{ m/s}^2$ (metoda e krahut-dorës; pasiguria $K = 1,5 \text{ m/s}^2$)
- Niveli i emetimit të vibrimit është matur në përputhje me një provë të standardizuar të dhënë në EN 60745; ajo mund të përdoret për të krahasuar një vegël me një tjetër dhe si një vlerësim paraprak i ekspozimit ndaj vibrimit kur përdorni pajisjen për proceset e përmendura
 - përdorimi i pajisjes për procese të ndryshme, ose me aksesorë të ndryshëm dhe të mirëmbajtur keq, mund të rritë ndjeshëm nivelin e ekspozimit
 - kohët kur pajisja është e fikur dhe kur është e ndezur por jo në punë, mund të zvogëlojnë ndjeshëm nivelin e ekspozimit

! mbron veten nga efektet e vibrimit duke mirëmbajtur pajisjen dhe aksesorët e saj, duke i mbajtur duart e ngrohta dhe duke organizuar mënyrën tuaj të punës

محیط زیست

- ابزارهای برقی، لوازم و ملتهلحقات و بسته بندی آنها را نباید همراه با زباله های عادی خانگی دور انداخت (فقط مخصوص کشورهای عضو اتحادیه اروپا)
- با توجه به مصوبه اروپایی ۲۰۰۲/۱۹/EC اروپا درباره لوازم برقی و الکترونیکی مستعمل و اجرای این مصوبه مطابق با قوانین کشوری. ابزارهای برقی که به پایان عمر مفید خود رسیده اند باید جداگانه جمع آوری شده و به یک مرکز بازیافت مناسب و سازگار با محیط زیست انتقال یابند
- نمادعلامت (A) یادآور این مسئله در هنگام دور انداختن است

اعلامیه مبنی بر رعایت استاندارد CE

- ما بر اساس مسئولیت انحصاری خود اعلام می نمایم که محصول شرح داده شده در قسمت «اطلاعات فنی» با استانداردها یا مستندات استاندارد شده زیر سازگاری و تطابق دارد: EN ۱۰۷۴۵ : EN ۱۱۰۰۰ : EN ۵۵۰۱۴. مطابق با مفاد مصوبات ۲۰۰۴/۱۰/EC، ۲۰۰۱/۱۴/EC، ۲۰۱۱/۱۵/EU
- پرونده فنی در آدرس: SKIL Europe BV (PT-SEU/ENG) 1, 4825 BD Breda, NL

Marijn van der Hoofden
Operations & Engineering

Olaf Dijkgraaf
Approval Manager

SKIL Europe BV, 4825 BD Breda, NL

19.08.2013

صدور/ارتعاشات

- اندازه گیری ها بر اساس استاندارد EN ۱۰۷۴۵ انجام و مشخص شد که میزان فشار صوتی این ابزار ۸۱ دسی بل و میزان توان صوتی آن ۹۷ دسی بل (با انحراف استاندارد ۳: دسی بل)، و میزان ارتعاشات ۸،۵ متر/مجدور ثانیه می باشد (شیوه دست-بازو، عدم قطعیت $K = 1,5$ متر/مجدور ثانیه)
- میزان انتشار ارتعاشات بر اساس تست استاندارد شده ای که در EN ۱۰۷۴۵ معرفی شده است اندازه گیری گردید: از این ارقام می توان برای مقایسه یک ابزار با دیگری و بعنوان ارزیابی اولیه در معرض قرارگیری ارتعاشات هنگام کار با ابزار در کاربری های فوق استفاده کرد
- استفاده کردن از ابزار برای کاربردهای متفاوت، یا با لوازم و ملتهلحقات متفاوتترقیه یا لوازم و ملتهلحقاتی که بد نگهداری شده اند، می تواند میزان در معرض قرارگیری را بطور قابل ملاحظه ای افزایش دهد
- موافقی که ابزار خاموش است یا روشن است ولی کاری با آن انجام نمی شود. میزان در معرض قرارگیری بطور قابل توجهی کاهش می یابد
- ! با نگهداری مناسب از ابزار و لوازم و ملتهلحقات آن، گرم نگهداشتن دست های خود، و سازمان دهی طرح های کاری می توانید خود را در برابر اثرات ارتعاش محافظت کنید

- برای سوار کردن/استفاده از متعلقاتی که توسط SKIL ساخته نشده همیشه باید دستورالعملهای سازنده مربوطه را دنبال کنید
- متعلقات باید فقط با سرعت های چرخش مجاز که معادل بالاترین سرعت بدون بار ابزار هستند به کار برده شوند
- هرگز از متعلقات دارای سوراخ رزوه دار «ته بسته» کوچکتر از ۲۱ x ۱۱ M۱۴ میلیمتر استفاده نکنید
- از متعلقات محبوب، ناقص یا دارای لرزش استفاده نکنید

استفاده در فضای آزاد

- اگر می خواهید از ابزار در فضای آزاد استفاده کنید، باید ابزار را حتماً با یک مدارشکن جریان خطا (FI) با سقف جریان حداکثر ۳۰ میلی آمپر وصل کرده و فقط از سیم رابط هایی استفاده کنید که مخصوص فضای آزاد بوده و دارای پریز-اتصال ضد ریزش آب می باشند

پیش از استفاده

- همیشه مطمئن شوید که ولتاژ ورودی دستگاه برابر ولتاژی باشد که روی پلاک دستگاه نوشته شده است (ابزارهایی که ولتاژ ورودی آنها ۲۳۰ یا ۲۴۰ ولت مشخص نشده است می توانند با برق ۲۲۰ ولت هم کار کنند)
- همیشه دسته کمکی A (۳) یا B (۳) را سوار کنید، هرگز بدون آن از ابزار استفاده نکنید
- گرد و خاکی که از موادی مانند رنگ های حاوی سرب، برخی گونه های چوب، مواد معدنی و فلزات بلند می شود می تواند خطرناک باشد (ماس با این گرد و خاکیها و یا تنفس آنها می تواند در کاربران ابزار یا افراد نزدیک به محل کار واکنش های حساسیتی و/یا بیماری های تنفسی ایجاد کند)؛ یک ماسک مخصوص گرد و خاک بزنید و در صورت امکان از یک وسیله مکش گرد و خاک استفاده کنید
- برخی از گرد و خاکیها (مانند گرد و خاکی که از چوب بلوط یا راش بلند می شود) علی الخصوص در مجاورت افزودنی های مخصوص چوب، سرطان زا هستند؛ یک ماسک مخصوص گرد و خاک بزنید و در صورت امکان از یک وسیله مکش گرد و خاک استفاده کنید
- از مقررات ملی مربوط به گرد و خاک موادی که می خواهید با آنها کار کنید پیروی نمایید

- **قطعه کاری را محکم کنید** (اگر قطعه کاری را با گیره های جاری یا گیره های رومیزی ثابت کنید بسیار مطمئن تر از گرفتن آن با دست خواهد بود)
- ابزار را در گیره قرار ندهید
- اگر سیم برق باید کاملاً باز شده و ایمن باشند، از سیم هایی با رده بندی ۱۶ آمپر

در حین استفاده

- همیشه موقع کار باید ابزار را با هر دو دست محکم گرفته و در حالت مطمئنی بایستید
- همیشه سیم برق را از بخشهای متحرک ابزار دور بگیرید؛ سیم را به سمت پشت و دور از ابزار بگیرید
- سیم برق آسیب دیده یا بریده شده باشد، هرگز به سیم دست نزنید، اما فوراً آنرا از پریز بکشید
- وقتی که سیم برق ابزار آسیب دیده هرگز از آن استفاده نکنید و از یک فرد متخصص بخواهید آنرا برای شما عوض کند
- در صورت بروز اشکالات برقی یا مکانیکی، فوراً ابزار را خاموش کرده و سیم برق آنرا از پریز بکشید
- در صورت قطع برق یا بیرون کشیده شدن اتفاقی دوشاخه، برای جلوگیری از راه افتادن دوباره و کنترل نشده ابزار، کلید را H (۳) رها کنید

بعد از استفاده

- پیش از کنار گذاشتن ابزار، حتماً موتور آنرا خاموش کرده و مطمئن شوید که تمام بخشهای متحرک آن به توقف کامل رسیده باشند
- بعد از خاموش کردن ابزار، هرگز سعی نکنید یا وارد آوردن فشار جانبی چرخش متعلقات را متوقف کنید

استفاده

- سوار کردن دسته های کمکی (۵)
- **سیم برق را از برق جدا کنید/بکشید**
- دسته کمکی A را در راست یا چپ ابزار پیچ کنید (بسته به کاری که می خواهید انجام دهید)
- دسته کمکی B را مطابق شکل سوار کرده و دو پیچ ارائه شده را با آچار آن C سفت کنید

سوار کردن متعلقات (۳)

- **سیم برق را از برق جدا کنید/بکشید**
- شفت D و تمام قطعاتی را که می خواهید سوار کنید را تمیز کنید
- صفحه زیرین چسبی E را روی محور D پیچ کرده و در همان حال دکمه قفل محور را فشار دهید F
- **ضامن قفل کننده شفت F را فقط زمانی که شفت D به توقف کامل رسیده است فشار دهید**
- کاسی استارت پارچه پولیش بشمی G را روی صفحه زیرین چسبی فشار دهید E
- برای از کردن متعلقات به ترتیب عکس عمل کنید
- پیش از استفاده از ابزار
- مطمئن شوید که متعلقات درست سوار شده و بخوبی سفت شده اند
- برای اطمینان از محکم بودن متعلقات سعی کنید آنها را با دست بچرخانید
- ابزار را در یک وضعیت مطمئن برای حداقل ۳۰ ثانیه در بالاترین دور بدون بار روشن کرده و آزمایش کنید
- در صورت احساس ارتعاشات قابل توجه یا اشکالات دیگر، فوراً آنرا خاموش کرده و ابزار را برای یافتن دلیل بررسی کنید
- روشن/خاموش
- با فشار دادن/رها کردن استارت (۳) H ابزار را روشن/خاموش کنید
- شروع-نرم الکترونیکی
- با این شیوه ابزار بعد از روشن شدن بدون تکانه های ناگهانی خیلی نرم و آرام به دور حداکثر خود می رسد
- استارت را برای استفاده پیوسته قفل کنید
- استارت را بکشید H
- با انگشت شست خود کلید L را فشار دهید
- برای رها کردن کلید استارت H را دوباره کشیده و سپس رها کنید
- کنترل دور (۱)
- با چرخ K می توان حداکثر دور را کم، به زیاد تنظیم کرد (۱-حداکثر)
- کار را با چرخ K در وضعیت (دور کم) شروع کنید
- در صورت نیاز، هنگامی که ابزار در حال کار است دور بالاتری انتخاب کنید
- دور بهینه به نوع موادی بستگی داشته و با آزمایش های عملی مشخص می گردد
- کار کردن با ابزار
- ابزار را بطور کامل روی سطحی که قرار است پولیش بشود گذاشته و آنرا به بخش به بخش بطور یکنواخت حرکت دهید
- هر حرکت باید نیمی از سطح پوشش داده شده در حرکت قبلی را پوشش دهد
- برای جلوگیری از خطر سوختن پوشش، هرگز نباید روی یک نقطه بمانید
- برای جلوگیری از لک شدن یا سوختن پوشش، ابزار را بصورت دایره ای حرکت ندهید
- **ابزار را باید قبل از خاموش کردن از روی قطعه کاری برداشته**
- **متعلقات برای مدت کوتاهی بعد از خاموش شدن ابزار به چرخش ادامه می دهند**

نگهداشتن و هدایت ابزار (۷)

- **هنگام کار باید همیشه ابزار را از جاهای) دست خاکستری رنگ بگیرد**
- همیشه ابزار را خیلی محکم با هر دو دست بگیرید، تا در کلیه اوقات روی ابزار کنترل کامل داشته باشید
- بطور مطمئن بایستید
- **آهنگر به ابزار فشار وارد نکنید که از حرکت بایستد**
- شیارهای تهویه (۷) L را مسدود نکنید

نگهداری / سرویس- خدمات

- ابزار را در معرض ضربه، شوک یا گریسچربی قرار ندهید
- همیشه ابزار و سیم برق را تمیز نگه دارید (بخصوص شیارهای تهویه (۷) L)
- **پیش از تمیز کردن سیم برق را از برق بکشید**
- **سعی نکنید یا وارد کردن اشیاء نوک تیز در منافذ شیارهای تهویه، آنها را تمیز کنید**
- اگر ابزار علیرغم تمام دقت و مراقبتی که در فرایندهای تولید و تست بکار برده شده از کار افتاد، تعمیرات باید فقط در مراکز خدمات پس از فروش ابزارهای برقی SKIL انجام شود
- ابزار را بصورت بازنقشه همراه با رسید خرید به فروشنده یا نزدیک ترین مرکز خدمات رسانی SKIL بفراستید (آدرسها به همراه نمودارنقشه های سرویس ابزار در www.skilmasters.com موجود است)

ج) از ابزار الکتریکی خوب مراقبت کنید. مواظب باشید که قسمت های متحرک دستگاه خوب کار کرده و گیر نکنند. همچنین وقت کنید که قطعات ابزار الکتریکی شکسته و یا آسیب دیده نباشند. قطعات آسیب دیده را قبل از شروع به کار تعمیر کنید. علت بسیاری از سوانح کاری، عدم مراقبت کامل از ابزارهای الکتریکی می باشد.

ح) ابزار برش را تیز و تمیز نگاهدارید. ابزار برشی که خوب مراقبت شده و از لبه های تیز برخوردارند، کمتر در قطعه کار گیر کرده و بهتر قابل هدایت می باشند.

خ) ابزارهای الکتریکی، متعلقات، ابزار که روی دستگاه نصب می شوند و غیره را مطابق دستورالعمل این جزوه راهنما طوری به کار گیرید که با مدل این دستگاه تناسب داشته باشند. همچنین به شرایط کاری و نوع کار توجه کنید. کاربرد ابزار برقی برای موارد کاری که برای آن در نظر گرفته نشده است، میتواند شرایط خطرناکی را منجر شود.

۵) سرویس

۱) برای تعمیر ابزار الکتریکی فقط به متخصصین حرفه ای رجوع کرده و از وسایل یکدی اصل استفاده کنید. این باعث خواهد شد که ایمنی دستگاه شما تضمین گردد.

دستورالعملهای ایمنی برای دستگاه های پولیش

۱) هشدارهای ایمنی عمومی

۱) این ابزار برقی فقط برای منظور پولیش کردن طراحی و ساخته شده است؛ تمامی هشدارهای ایمنی، دستورالعملها، تصاویر و مشخصات ارائه شده همراه با این ابزار برقی را مطالعه کنید؛ در صورت عدم رعایت همه هشدارهای زیر، خطر برق گرفتگی، آتش سوزی و/یا بروز جراحت های شدید وجود خواهد داشت؛
ب) این ابزار برقی برای سایرین، سنباده زدن، سیم زدن یا بریدن مناسب نیست؛ استفاده از این ابزار برقی جهت مصارفی که برای آن طراحی نشده است خطرناک بوده و ممکن است باعث بروز جراحت فردی شود

ت) اجازه ندهید بخش شل یا پاره پولیش یا متعلقات آن آزاد بچرخند؛ کلیه نخهای شل متعلقات را به زیر برده یا ببرید؛ نخهای شل و آزاد متعلقات به انگشتان شما گیر کرده یا قطعه کاری را خواهند کشید
ث) از متعلقاتی که بطور خاص توسط سازنده ابزار طراحی و یا توصیه نشده اند استفاده نکنید. فقط صرف اینک می توان متعلقات را به ابزار برقی وصل کرد. کارکرد ایمن آن تضمین نمی کند.

ج) سرعت چرخش نامی متعلقات باید حداقل برابر حداکثر سرعت چرخش درج شده روی ابزار برقی باشد. متعلقات در صورت کار با سرعتی بالاتر از سرعت چرخش نامی خود خواهند شکست.

ح) قطر بیرونی و ضخامت متعلقات باید در محدوده ظرفیت ابزار برقی شما باشد. اگر اندازه متعلقات نامناسب باشد امکان کنترل یا حفاظت آنها در کار وجود نخواهد داشت.

خ) قسمت زرهه دار محل نصب متعلقات باید با زرهه های شفت فریز مطابقت داشته باشد. در مورد متعلقاتی که با فلنج نصب می شوند، سوراخ میانی متعلقات باید با قطر محل اتصال فلنج مطابقت داشته و در آن جا بیفتند. لوزام و متعلقاتی که کاملاً متناسب با شفت ابزار برقی نباشند، چرخش نامنظم داشته و دچار حرکات نوسانی شدیدی می شوند و این امر می تواند باعث از دست دادن کنترل شود.

د) از لوزام و متعلقات استفاده دیده استفاده نکنید. پیش از هر بار استفاده از لوزام و متعلقات باید آنها را کنترل کنید. بعنوان مثال در مورد صفحات سنگ مطمئن شوید که ترک و یا پدیدگی نداشته باشند. در مورد قیابلهای سنگ به ترک ها و استهلاک دقت کرده، و برس های سیمی را برای یافتن سیم های شل یا شکسته بپرسید کنید. در صورتی که ابزار برقی و یا متعلقات آن در زمین بیافتند، آسیب دیدگی احتمالی دستگاه را کنترل کرده و یا از لوزام و متعلقات سالم دیگری استفاده کنید. بعد از بازرسی و نصب لوزام و متعلقات، خود و سایر افراد نزدیک به ابزار برقی را از ابزار در حال چرخش دور نگاه داشته و بگذاردید ابزار برقی می مدت یک دقیقه با آخرین دور ممکن در حالت بدون بار کار کند. اگر متعلقات آسیب دیده باشند معمولاً در این آزمایش خواهند شکست.

ذ) از لوزام و پولیش های محافظ شخصی استفاده کنید (۱). متناسب با نوع کار از محافظ صورت، محافظ چشم یا عینک ایمنی استفاده کنید. در صورت لزوم از ماسک ضد غبار، گوشی ایمنی، دستکش و یا پیش بند کارگاهی مناسب که بتواند ذرات ریز و پاره ها را از شما دور نگاه دارد استفاده کنید. محافظ چشم باید بتواند چشم شما را در برابر جهش ذرات خارجی و براده که در هنگام کارهای مختلف ایجاد می شوند، محافظت کند. ماسک های ایمنی ضد غبار یا ماسک های تنفسی باید قادر به فیلتر کردن ذرات و گرد و غبار ناشی از کار باشند. قرار گرفتن طولانی مدت در معرض سر و صدای بلند می تواند به شنوایی شما آسیب بزند.

ر) افرادی که کار نمی کنند باید فاصله خود را با محل کار شما حفظ کنند. هر فردی که وارد محل کار شما می شود، باید مجهز به تجهیزات ایمنی و پوشش محافظ شخصی باشد. امکان پرت شدن قطعات شکسته و جدا شده از قطعه کار و یا متعلقات شکسته حتی در خارج از محدوده کار وجود دارد و می تواند باعث جراحت شود.

ز) سیم برق ابزار را دور از متعلقات در حال چرخش آن نگاهدارید. اگر کنترل خود را بر ابزار از دست بدهید، امکان دارد سیم بریده شده یا کشیده شود و دست یا بازوی شما به داخل بخش متحرک کشیده شود.

س) هرگز ابزار برقی را قبل از توقف کامل متعلقات آن کنار نگذارید. امکان تماس متعلقات در حال چرخش با سطحی که ابزار بر روی آن قرار دارد وجود داشته و منجر به از دست دادن کنترل شما بر ابزار برقی خواهد شد.

ش) هنگام حمل ابزار الکتریکی آنرا روشن نکنید. تماس اتفاقی با متعلقات در حال چرخش می تواند باعث شود لباس شما کشیده شده و متعلقات و ابزار به بدن شما اصابت کند.

ص) منافذ تهویه هوای ابزار برقی را بطور مرتب تمیز کنید. فن موتور گرد و غبار بیرون را به داخل محفظه ابزار می کشد و جمع شدن بیش از اندازه براده و ذرات فلز در آنجا باعث بروز مخاطرات برقی می شود.

ض) ابزار برقی را در مجاورت مواد قابل اشتعال بکار نبرید. جرقه ها می توانند باعث آتش گرفتن این مواد شوند.

ط) از متعلقاتی که نیاز به خنک کننده های مایع دارند استفاده نکنید. استفاده کردن از آب یا خنک کننده های مایع موجب برق گرفتگی خواهد شد.

۲) پس زدن ابزار و هشدارهای مربوطه

- پس زدن ابزار یک واکنش ناگهانی است که در نتیجه گیر کردن و یا قفل شدن سنگ دوار قاب سنگ، برس یا دیگر متعلقات ایجاد می شود. گیر کردن یا قفل شدن باعث توقف ناگهانی متعلقات دوار شده و در نتیجه آن ابزار برقی از کنترل شما خارج می شود و در جهت عکس چرخش متعلقات روی آن حرکت خواهد کرد.
- بعنوان مثال، اگر سنگ در قطعه کار گیر کرده و یا قفل شود، امکان دارد لبه سنگ در نقطه گیر کردن وارد سطح فلز شده و سنگ بلند شده یا پس بزند. در این صورت بسته به جهت حرکت سنگ در نقطه گیر کردن امکان دارد سنگ به سمت کاربر یا در جهت مخالف پرتاب شود. ممکن است صفحات سنگ در این شرایط بشکنند.
- پس زدن در نتیجه استفاده غلط و/یا بکارگیری نادرست ابزار برقی و یا در شرایطی روی می دهد که با رعایت توصیه های ایمنی زیر می توان از بروز آن جلوگیری کرد.

۱) ابزار برقی را محکم در دست گرفته و بدن و بازوی خود را طوری قرار دهید که بتوانید ضربات پس زدن ابزار را کنترل کنید. همیشه در صورت امکان از دسته های کشکی استفاده کنید تا بتوانید کنترل خود بر ابزار را در صورت پس زدن حفظ کرده و گشتاور ابزار را در زمان روشن شدن کنترل کنید. کاربر می تواند در صورت رعایت توصیه های ایمنی گشتاورهای واکنشی یا پس زدن را بخوبی کنترل کند.

ب) هرگز دست خود را به متعلقات در حال چرخش نزدیک نکنید. چون امکان دارد متعلقات در صورت پس زدن به دست شما برخورد کنند.

ت) بدن خود را از نقطه ای که ابزار در صورت پس زدن به آنجا حرکت خواهد کرد دور نگاهدارید. پس زدن ابزار برقی باعث حرکت آن در جهت مخالف حرکت سنگ در نقطه گیر کردن خواهد شد.

ث) اگر بروی گوشه ها، لبه های تیز و مانند آنها کار می کنید باید دقت مضاعف داشته باشید. از در رفتن و گیر کردن متعلقات جلوگیری کنید. امکان گیر کردن متعلقات دوار در گوشه ها و لبه های تیز بسیار زیاد است و می تواند کنترل شما را بر هم رده یا ابزار پس بزند.

ج) نباید روی این ابزار برقی اهر زنجیری چوب بری و یا تیغ اهر دندانهای نصب کنید. این تیغه اهرها با باعث پس زدن و از بین رفتن کنترل روی ابزار برقی می شوند.

عمومی

- از این ابزار فقط برای پولیش کردن خشک استفاده کنید
- تنها از فلاجتیهای که همراه با این ابزار ارائه شده است استفاده نمایید
- افراد کمتر از ۱۶ سال نباید با این دستگاه کار کنند
- قبل از هرگونه تنظیم یا تعویض کردن لوزام و ملحمتعلقات حتماً باید سیم برق دستگاه را از پریز کشید
- با موادی حاوی آزیست کار نکنید (آزیست سرطانی راست)

متعلقات

- SKIL فقط در صورتی کارکرد می عیب و نقص ابزار را تضمین می کند که از لوزام و متعلقات مناسب استفاده شده باشد و از نمایندگان رسمی SKIL تهیه شده باشد

- تم قیاس مستوی الاهتزازات بالتوافق مع الاختیار المعیاری المحدد فی 1۰۷۴۵ EN. یکن استفاده لغیرته از اداة اءادی آخری وکنقییم تمهیدی للتعرض للاهتزاز عند استخدام الءااة فی التطبیقات الواضحة:
- قد یؤدی استخدام الءااة فی تطبیقات مختلفة أو مع ملحقاات مختلفة أو ذات صیانة ریدئة إلی زیادة مستوی التعرض بصورة کبیرة:
- إن الفترة الزمنية الاتی یتم خلالها إیفاء تشغیل الءااة أو عندما تکون قید التشغیل لکنها لا تؤدی آیه مهام. تؤدی إلی تقلیل مستوی التعرض بصورة کبیرة:
- ! قم بحمایة نفسک من تأثیراات الاهتزاز من خلال صیانة الءااة وملحقااتها. وحافظة علی یدیک دافئتیمن وتنظیم أماط العمل لمدیک:

FA

۹۹۵۵

دستگاه پولیش

مقدمه

- این ابزار برای پولیش کردن فلزات، پلاستیک، سطوح پوشش دار و نیز پولیش کردن مواد سنگی بدون استفاده از آب طراحی شده است
- لطفاً این دفترچه راهنما را مطالعه کرده و نگهدارید (۱)

اطلاعات فنی (۱)

اجزای ابزار (۳)

- A دسته کمکی
- B دسته کمکی (نوع D)
- C آچار آلن
- D شفت
- E صفحه زیرین (چسبی)
- F ضامن قفل کننده شفت
- G پارچه پولیش پشمی
- H کلید روشن/خاموش
- J کلید گردان برای قفل کردن کلید روشن/خاموش
- K چرخ کنترل حداکثر دور
- L شیارهای تهویه

ایمنی

راهنمای ایمنی عمومی

⚠ هشدار! همه دستورات ایمنی و راهنمایی ها را بخوانید. اشتباهات ناشی از عدم رعایت این دستورات ایمنی ممکن است باعث برق گرفتگی، سوختگی و یا سایر جراحات های شدید شود. همه هشدار های ایمنی و راهنمایی ها را برای آینده خوب نگهداری کنید. هر جا در این راهنما از «ابزار الکتریکی» صحبت میشود، منظور ابزارهای الکتریکی (باسیم برق) و یا ابزارهای الکتریکی باتری دار (بدون سیم برق) می باشد.

- (۱) ایمنی محل کار
 - (۱) محل کار خود را تمیز، مرتب و مسطح به نور کافی نگهدارید. محیط کار نامرتب و کم نور، میتواند باعث سوانح کاری شود.
 - (ب) با ابزار الکتریکی در محیط هایی که در آن خطر انفجار وجود داشته و حاوی مایعات، گازها و غبارهای محترقه باشد، کار نکنید. ابزارهای الکتریکی جرقه هایی ایجاد می کنند که می توانند باعث آتش گرفتن گرد و بخار های موجود در هوا شوند.
 - (ت) هنگام کار با ابزار الکتریکی، کودکان و سایر افراد را از دستگاه دور نگهدارید. در صورتیکه حواس شما پرت شود، ممکن است کنترل دستگاه از دست شما خارج شود.
- (۲) ایمنی الکتریکی
 - (۱) دوشاخه ابزار الکتریکی باید با پریز برق تناسب داشته باشد. هیچگونه تغییری در دوشاخه نمید. مبدل دوشاخه نباید همراه با ابزار الکتریکی دارای اتصال به زمین (ارت شده) استفاده شود. مبدل دوشاخه نباید همراه با ابزار الکتریکی دارای اتصال به زمین (ارت شده) استفاده شود.

- (ب) از تماس بدنی با قطعات دارای سیم اتصال به زمین (ارت شده) مانند لوله، شومیز، اجاق برقی و یخچال خود داری کنید. در صورتیکه بدن شما با سیم دارای اتصال به زمین (ارت شده) تماس پیدا کند، خطر برق گرفتگی بیشتر خواهد شد.
- (ت) دستگاه را از باران و رطوبت دور نگهدارید. نفوذ آب به ابزار الکتریکی، خطر شوک الکتریکی را افزایش می دهد.
- (ث) از سیم به درستی استفاده کنید. از سیم دستگاه برای کارهایی چون حمل ابزار الکتریکی، آویزان کردن آن و یا خارج کردن دوشاخه از پریز استفاده نکنید. دستگاه را در مقابل حرارت، رطوبت، لبه های تیز و بخش های متحرک دستگاه دور نگهدارید. کابل های آسیب دیده و یا گره خورده خطر شوک الکتریکی را افزایش می دهند.
- (ج) در صورتیکه با ابزار الکتریکی در محیط باز کار می کنید، تنها از کابل را بطی استفاده کنید که برای محیط باز نیز مناسب باشد. کابل های رابط مناسب برای محیط باز، خطر برق گرفتگی را کم می کنند.
- (ح) در صورت لزوم کار با ابزار الکتریکی در محیط و اماکن مرطوب، در اینصورت باید از یک کلید حفاظتی جریان خطا و نشستی زمین (کلید قطع کننده اتصال با زمین) استفاده کنید. استفاده از کلید حفاظتی جریان خطا و نشستی زمین خطر برق گرفتگی را کمتر می کند.
- (۳) رعایت ایمنی اشخاص
 - (۱) حواس خود را خوب جمع کنید، به کار خود دقت کنید و با فکر و هوش کامل با ابزار الکتریکی کار کنید. در صورت خستگی و یا در صورتیکه مواد مخدر، الکل و دارو استفاده کرده اید، با ابزار الکتریکی کار نکنید. یک لحظه بی توجهی هنگام کار با ابزار الکتریکی، میتواند جراحات های شدیدی به همراه داشته باشد.
 - (ب) همواره از تجهیزات ایمنی شخصی استفاده کنید. همواره از عینک ایمنی استفاده کنید. استفاده از تجهیزات ایمنی مانند ماسک ایمنی، کفش های ایمنی ضد لغزش، کلاه ایمنی و گوشی ایمنی مناسب با نوع کار با ابزار الکتریکی، خطر مجروح شدن را تقلیل می دهد.
 - (ت) مواظب باشید که ابزار الکتریکی بطور ناخواسته بکار نیفتد. قبل از وارد کردن دوشاخه دستگاه در پریز برق، اتصال آن به باتری، برداشتن آن و یا حمل دستگاه، باید دقت کنید که ابزار الکتریکی خاموش باشد. در صورتیکه هنگام حمل دستگاه انگشت شما روی دکمه قطع و وصل باشد و یا دستگاه را در حالت روشن به برق بزنید، ممکن است سوانح کاری پیش آید.
 - (ث) قبل از روشن کردن ابزار الکتریکی، باید همه ابزار های تنظیم کننده و آچار ها را از روی دستگاه بردارید. ابزار آچارهایی که روی بخش های چرخنده دستگاه قرار دارند، می توانند باعث ایجاد جراحات شوند.
 - (ج) بیش از حد به آنها نزدیک نشوید. برای کار جای مطمئنی برای خود انتخاب کرده و تعادل خود را همواره حفظ کنید. به این ترتیب می توانید ابزار الکتریکی را در وضعیت های غیر منتظره بهتر رخت کنترل داشته باشید.
 - (ح) لباس مناسب بپوشید. از پوشیدن لباس های فراخ و حمل زینت آلات خود داری کنید. موها، لباس و دستکش ها را از بخش های درحال چرخش دستگاه دور نگهدارید. لباس های فراخ، موی بلند و زینت آلات ممکن است در قسمت های درحال چرخش دستگاه گیر کنند.
 - (خ) در صورتیکه می توانید وسایل مکش گرد و غبار و یا وسیله جذب زائده را به دستگاه نصب کنید، باید مطمئن شوید که این وسایل نصب و درست استفاده می شوند. استفاده از وسایل مکش گرد و غبار مصونیت شما را در برابر گرد و غبار زیاد تر می کند.
 - (۴) استفاده صحیح از ابزار الکتریکی و مراقبت از آن
 - (۱) از وارد کردن فشار زیاد روی دستگاه خود داری کنید. برای هر کاری، از ابزار الکتریکی مناسب با آن استفاده کنید. بکار گرفتن ابزار الکتریکی مناسب باعث می شود که بتوانید از توان دستگاه بهتر و با اطمینان بیشتر استفاده کنید.
 - (ب) در صورت ایراد در کلید قطع و وصل ابزار برقی، از دستگاه استفاده نکنید. ابزار الکتریکی که نمی توان آنها را قطع و وصل کرد، خطرناک بوده و باید تعمیر شوند.
 - (ت) قبل از تنظیم ابزار الکتریکی، تعویض متعلقات و یا کنار گذاشتن آن، دوشاخه را از برق کشیده و یا باتری آنرا خارج کنید. رعایت این اقدامات پیشگیری ایمنی از راه افتادن ناخواسته ابزار الکتریکی جلوگیری می کند.
 - (ث) ابزار الکتریکی را در صورت عدم استفاده، از دسترس کودکان دور نگهدارید. اجازت ندهید که افراد نا آوار و یا اشخاصی که این دفترچه راهنما را نخوانده اند، با این دستگاه کار کنند. قرار گرفتن ابزار الکتریکی در دست افراد ناوارد و بی تجربه خطرناک است.

- ثبت قطعة العمل (الإمسك) بقطعة عمل مثبتة بأجهزة تثبيت أو في ملزمة أكثر أمثاً من مسكها باليد؛
- لا تثبت الأداة في ملزمة؛
- استخدم أسلاك تمديد مفكوكة تماماً وأمنة سعة 16 أمبير (13 أمبير في بريطانيا العظمى)
- **أثناء الاستخدام**
- أثناء العمل. أحكم دائماً الإمسك بالأداة بكلتا يديك مع اتخاذ مسافة أمان؛
- حافظ دائماً على بقاء السلك بعيداً عن الأجزاء المتحركة بالأداة. ووجه السلك للخلف بعيداً عن الأداة؛
- في حالة تعرض السلك للتلف أو لقطع أثناء العمل. لا تلمس السلك وافصل القابض فوراً
- يحظر نهائياً استخدام الأداة في حالة تلف السلك. بل قم باستبداله من قبل أحد الأفراد المؤهلين
- في حالة حدوث خلل كهربائي أو ميكانيكي. أوقف تشغيل الأداة فوراً وافصل القابض؛
- في حالة انقطاع التيار أو عند سحب القابض عن غير قصد. حرر المفتاح H (Ⓜ)
- للحماية من بدء التشغيل على نحو لا يمكن السيطرة عليه؛
- **بعد الاستخدام**
- يحظر وضع الأداة جانباً. أوقف تشغيل المحرك وتأكد من توقف جميع الأجزاء المتحركة بشكل تام؛
- بعد إيقاف تشغيل الأداة. امنع نهائياً عن إيقاف دوران المحرك باستخدام قوة جانبية تعترضه؛
- **الاستخدام**
- تركيب القابض المساعدة (Ⓜ)
- **أفضل القابض:**
- اربط المقبض المساعد A بالجهة اليمنى أو اليسرى من الأداة (تتقاً للعمل الذي ستقوم به)؛
- ركب المقبض المساعد B كما هو موضح بالرسم واحكم ربط البرغي باستخدام المفتاح المسدس C
- **تركيب الملحقات (Ⓜ)**
- **أفضل القابض:**
- نظف عمود الدوران D وجميع الأجزاء التي سيتم تركيبها؛
- اربط الحشوية الداعمة من EVELCRO على عمود الدوران D مع الضغط على زر قفل عمود الدوران F؛
- لا تضغط على زر قفل عمود الدوران F إلا عند توقف العمود D عن الحركة بشكل تام؛
- قم ببساطة بالضغط على الحشوية الداعمة من G على الحشوية الداعمة من EVELCRO؛
- لك الملحقات قم بإجراء نفس الخطوات بعكس الترتيب السابق؛
- قبل استخدام الأداة
- تأكد من تركيب المحرك بشكل صحيح ومن إحكام تثبيته؛
- خفف من سير المحرك بحرية عن طريق إدارته يدوياً؛
- قم باختبار تشغيل الأداة لمدة 30 ثانية في الوضع الآمن على أعلى سرعة للأداة بدون حمل؛
- توقف فوراً في حالة حدوث اهتزاز ملحوظ أو أي أعطال أخرى. وافحص الأداة لتحديد السبب؛
- **التشغيل/إيقاف التشغيل**
- قم بتشغيل/إيقاف تشغيل الأداة عن طريق ضغط/حرر الزناد H (Ⓜ)؛
- بدء تشغيل الكيتروني هادي
- يضمن الوصول للسرعة القصوى ببساطة بدون التعرض لصدمة مفاجئة عند تشغيل الأداة؛
- قم بفتح المفتاح للاستخدام المتواصل؛
- اضغط على الزناد H؛
- اضغط على الزر L بإبهامك.
- افتح قفل المفتاح بالضغط مرة أخرى على الزناد H ثم ببحريره؛
- التحكم في السرعة (1)
- باستخدام الكيتروني K يمكن ضبط الحد الأقصى للسرعة من منخفض إلى مرتفع (MAX 10)؛
- ابدأ العمل والعجلة K في الوضع (السرعة الأقل)؛
- إذا لزم الأمر. اختر سرعة أعلى أثناء تشغيل الأداة؛
- تتوقف سرعة العمل المثالية على المادة ويمكن خديدها بالتجربة العملية؛

تشغيل الأداة

- تشغيل الأداة؛
- ضع الأداة بالكامل على السطح الذي يجب صفله وحركها بانتظام جزء جزء؛
- كل حركة يجب أن تتداخل مع الحركة السابقة بمقدار نصف حركة؛
- لا تتوقف عند موضع مفرد حتى لا تخترق طبقة الطلاء؛
- لا تحرك الأداة في دوائر لتجنب حرق طبقة الطلاء أو تلويثها ببقع؛
- ! قبل إيقاف تشغيل الأداة. يجب أن ترفعها عن قطعة العمل؛
- يستمر المحرك في الدوران لمدة قصيرة بعد إيقاف تشغيل الأداة؛
- إمسك الأداة وتوجيهها (Ⓜ)
- أثناء العمل. امسك الأداة دائماً من منطقة (مناطق) المقبض رمادية اللون؛
- أحكم دائماً الإمسك بالأداة بكلتا يديك وبالتالي سيمكّنك التحكم في الأداة طوال الوقت بشكل تام؛
- اتخذ مسافة أمان؛
- ! لا تضغط بشدة على الأداة لتتوقف عن العمل؛
- احرص على أن تكون فتحات التهوية L (Ⓜ) غير مغطاة؛

الصيانة / الخدمة

- قم بحماية الأداة من التصادم والاهتزاز والشحم؛
- احرص دائماً على نظافة الأداة والسلك (وخصوصاً فتحات التهوية L (Ⓜ))؛
- ! **أفضل القابض قبل التنظيف**
- ! لا تحاول تنظيف فتحات التهوية عن طريق إدخال أجسام مسننة من خلال الفتحات؛
- إذا تعذر تشغيل الأداة على الرغم من الحذر الشديد في إجراءات التصنيع والاختبار. فيجب القيام بالإصلاحات بواسطة مركز خدمة ما بعد البيع لأدوات الطاقة التابع لشركة SKIL؛
- قم بإرسال الأداة مون تفكيكها بالإضافة إلى إثبات الشراء إلى البائع أو أقرب محطة خدمة SKIL العناوين بالإضافة إلى مخطط الخدمة متاح على www.skilmasters.com

البيئة المحيطة

- لا تتخلص من الأدوات الكهربائية والملحقات ومواد التغليف مع النفايات المنزلية (الدول الأخاء الأوروبي فقط)؛
- وفقاً للتوجيه الأوروبي 2002/96/EC حول نفايات المعدات الكهربائية والإلكترونية وتطبيقه بالتوافق مع القانون المحلي يجب جمع الأدوات الكهربائية متنمية الصالحة بشكل منفصل وإرسالها إلى أحد منشآت إعادة التصنيع المتوافقة مع البيئة؛
- سيذكرك الرمز (A) بهذا عند الحاجة إلى التخلص من أية أداة؛

إعلان توافق CE

- نحن نقر على مسئوليتنا الخاصة أن المنتج الموضح في «البيانات الفنية» يتوافق مع المعايير أو المستندات المعيارية التالية EN 10745 : EN 11000 و EN 55014 بالتوافق مع شروط توجيهات AEC 2004/10 و EC 2001/18/EU و 2011/65/EU
- الملف الفني على: SKIL Europe BV (PT-SEU/ENG) 1, 4825 BD Breda, NL

Marijn van der Hoofden
Operations & Engineering

Olaf Dijkgraaf
Approval Manager

SKIL Europe BV, 4825 BD Breda, NL

19.08.2013

الضوضاء/الاهتزاز

- عند القياس بالاقتران مع EN 10745 يكون مستوى ضغط صوت هذه الأداة هو 81 ديسيبل (A) ومستوى طاقة الصوت 97 ديسيبل (A) (الانحراف المعياري: 3 ديسيبل). والاهتزاز 8,5 (م/م) وطريقة اهتزاز اليد: K غير مؤكد م = 1,0 (م/م)؛

- (ب) لا يوصى باستخدام هذه الأداة للقيام بعمليات التجليخ أو الصنفرة أو للفرك بفرشاة سلكية أو القطع حيث أن استخدام الأداة في عمليات لم تصمم من أجلها قد ينشأ عنه خطر ويتسبب في إصابة شخصية.
- (ت) يُحظر ترك أي جزء من غطاء الصقل أو خيوط الأداة الملتصقة مفكوكًا ليدور بحرية. قد يهاجم أفض في خيوط ملتحمة مفكوكة. قد تتسبب الخيوط الملتحمة المفكوكة والمتلفة في شياوب أصابعك أو حدوث تشققات بقطعة العمل.
- (ث) لا تستعمل التوايح التي لم ينصح باستعمالها ولم يخصصها المنج لهذه العدة الكهربائية بالذات. إن مجرد إمكانية تثبيت التوايح بالعدة الكهربائية لا تكفل إمكانية الاستعمال بأمان.
- (ج) يجب أن تتوافق قيمة عدد دوران عدة الشغل المسموح به على الأقل قيمة عدد الدوران الأقصى المذكور على العدة الكهربائية. إن التوايح التي تدور بسرعة تزيد عن السرعة المسموحة، قد تتكسر وتنتظر.
- (ح) يجب أن يتوافق كلا من قطر وتخن عدة الشغل مع قيم القياسات بالعدة الكهربائية. لا يمكن التحكم بعدد الشغل ذات الفاسات الحاطنة أو الانتاق منها بشكل كاف.
- (خ) يجب أن يتطابق التركيب المسنن للملحقات مع سن لولب عمود دوران أداة الجاخ، للملحقات المركبة بواسطة الفلنجات، يجب أن تتناسب فتحة محول الملحق مع قطر تركيب الفلنجة، تستعمل الملحقات التي لا تلائم جهاز تركيب الأداة الكهربائية على نحو غير متوازن وستهتز بشكل مفرط وقد تتسبب فقدان التحكم.
- (د) لا تستخدم عدد الشغل التالية، تفحص عدد الشغل قبل كل استعمال. كأقراص التجليخ على التمشيق والشفط. أطباق التجليخ على التمشيق والتصدع أو شدة الاستهلاك، والفرش المعدنية على وجود الأسلاك السائبة أو المكسرة. إن سقطت العدة الكهربائية أو عدة الشغل على الأرض، فتفحص إن كانت قد أصيبت بخلل أو استخدم عدة شغل غير تالفة. إن عُكمت بعدد الشغل وركبتها، حافظ على إبهائك وغيرك من الأشخاص على بعد عن مستوى عدة الشغل الدوارة وشغل العدة الكهربائية بعدد الدوران الأقصى لمدة دقيقة واحدة إن عدد الشغل التالية غالباً ما تنكسر خلال هذه المدة التجريبية.
- (ذ) ارتد عناد وقاية شخصي (٤). استخدم حسب الاستعمال وقاية كاملة للوجه، وواقية للعينين أو نظارات واقية. ارتد عند الضرورة قناع لوقاية من الغبار وواقية سمع وقفازات واقية أو مربول خاص يبعد عنك جسيمات التجليخ والمواد الدقيقة. ينبغي وقاية العينين من الجسيمات الغريبة المتطايرة التي تنتج عن الاستعمالات المختلفة. يجب أن تقوم الأفضة الواقية للنفس والواقية من الغبار بترشيح الأفضرة الناتجة عن الاستخدام، قد تصاب بفقدان السمع إن تعرضت لصحيج عال لفترة طويلة.
- (ر) انتبه إلى ابتعاد الآخرين عن مجال عملك مسافة آمنة. ينبغي أن يرتدي كل من يطلّ مجال العمل عناد وقاية شخصي. قد تنتظر أجزاء من قطعة الشغل أو عدد الشغل المسروبة لتسبب الإصابات حتى خارج مجال العمل المباشر.
- (ز) حافظ على إبعاد كابل الشبكة الكهربائية عن عدد الشغل الدوارة. إن فقدت السيطرة على الجهاز فقدّ يقطع أو يتكبل كابل الشبكة الكهربائية وقدّ تتسحب يدك أو ذراعك إلى عدة الشغل الدوارة.
- (س) لا تترك العدة الكهربائية أبداً قبل أن تتوقف عدة الشغل عن الحركة تماماً. قد تتلامس عدة الشغل مع سطح التركيب ما قد يؤدي إلى فقدان التحكم بالعدة الكهربائية.
- (ش) لا تترك العدة الكهربائية قيد الحركة أثناء حملها. قد تتكبل ثيابك عند ملاصقة عدة الشغل بشكل غير مقصود وقد تنغرز عدة الشغل في جسدك.
- (ص) نظف شقوق التهوية بعدتك الكهربائية بشكل منتظم. إن متفاح الحرك يسحب الغبار إلى داخل الهيكل وتراكم الأفضرة المعدنية الشديد قد يشكل الخطر الكهربائية.
- (ض) لا تستخدم العدة الكهربائية على مقربة من المواد القابلة للاحتراق. قد يؤدي الشرر إلى اشتعال هذه المواد.
- (ط) لا تستخدم عدد الشغل التي تتطلب مواد التبريد السائلة. قد يؤدي استعمال الماء أو غيرها من مواد التبريد السائلة إلى حدوث الصدمات الكهربائية.
- (٢) الصدمات الارتدادية وتعليمات التحذير المتعلقة بها
- الصدمات الارتدادية هي عبارة عن رد الفعل الفجائي على أثر عدة الشغل الدوارة المتكبلية أو المتصعبة. كقرص التجليخ وصحن التجليخ والفرشاة المعدنية وإلخ يؤدي التكبل أو التصعب إلى توقف عدة الشغل الدوارة بشكل مفاجئ ويتم بذلك تسارع العدة الكهربائية التي فقدت التحكم بها بعكس اتجاه دوران عدة الشغل عند مكان الاستعصاء.

- إن استعصى أو تكبل قرص التجليخ مثلاً في قطعة الشغل، فقد تنمط حافة قرص التجليخ التي غطست في مادة الشغل ما يؤدي إلى انحراف قرص التجليخ أو إلى حدوث صدمة ارتدادية يتحرك قرص التجليخ عندهن إما نحو المستخدم، أو مبتعدة عند حسب اتجاه دوران القرص عند مكان الاستعصاء، قد تكسر أقراص التجليخ أيضاً أثناء ذلك.
- إن الصدمة الارتدادية هي نتيجة لاستخدام العدة الكهربائية بشكل خاطئ أو غير صحيح، ويمكن تجنبها من خلال إجراءات الاحتياط الملائمة اللاحقة الذكر.
- (ا) اقبط على العدة الكهربائية بإحكام وركز جسدك وذراعيك بوضع يسمح لك بصد قوى الصدمات الارتدادية. استخدم المقبض الإضافي دائماً إن وجد للتوصل إلى أكبر حُكم يمكن بقوى الصدمات الارتدادية أو زرم رد الفعل أثناء ارتفاع عدد الدوران. يمكن للمستخدم أن يسيطر على قوى الصدمات الارتدادية، وزرم رد الفعل من خلال إجراءات الاحتياط المناسبة.
- (ب) لا تقرب بيدك من عدة الشغل الدوارة أبداً. قد تتحرك عدة الشغل عبر يدك عند حدوث صدمة ارتدادية.
- (ت) تجنب بجسمك المجال الذي ستتحرك به العدة الكهربائية عند حدوث صدمة ارتدادية. حرك الصدمة الارتدادية العدة الكهربائية بعكس اتجاه حركة قرص التجليخ عند مكان الاستعصاء.
- (ث) اشتغل باحتراس خاص في مجال الزوايا والحواف الحادة وإلخ تجنب ارتداد عدد الشغل عن قطعة الشغل واستعصائها. ترجع عدة الشغل الدوارة إلى التكبل عند الزوايا والحواف الحادة أو عندما ترتد. ويؤدي ذلك إلى فقدان التحكم أو إلى الصدمات الارتدادية.
- (ج) لا تستخدم نصال المنشار الجزيرية أو النصال المسننة. إن عدد الشغل هذه غالباً ما تؤدي إلى الصدمات الارتدادية أو إلى فقدان السيطرة على العدة الكهربائية.

معلومات عامة

- لا تستخدم هذه الأداة إلا للصلف الجاف.
- استخدم الفلنجات التي ترد مع هذه الأداة فقط
- لا يجب استخدام هذه الأداة من قبل الأشخاص الأقل من ١٦ عام؛
- احرص دائماً على فصل المقابس من مصدر الطاقة قبل القيام بأية عمليات ضبط أو تغيير أية ملحقات؛
- لا تعمل باستخدام مواد تشتمل على الأستيبستوس (يعتبر الأستيبستوس مادة مسرطنة)؛

الملحقات

- تضمن SKIL التشغيل السليم للأداة فقط عند استخدام الملحقات الصحيحة، والتي يمكن الحصول عليها من بائع معدات SKIL
- لتزكيب/الاستخدام وملحقات من إنتاج شركات أخرى بخلاف SKIL يجب الانتباه جيداً إلى تعليمات الشركة المنتجة؛
- استخدم فقط الملحقات المصممة للسرعة المسموح بها، والتي تتوافق على الأقل أعلى سرعة للأداة بدون حمل؛
- لا تستخدم ملحقات مع ثقب ملولب «غير نافذ» أصغر من 11 x M14 ملليمتر
- لا تستخدم ملحقات تالفة أو موهوجة أو مهترزة وغير ثابتة في مكانها؛
- الاستخدام في مناطق مفتوحة
- عند استخدام الأداة في مناطق مفتوحة، قم بتوصيل الأداة عبر قاطع تيار دائرة النضر (FI) باستخدام تيار يدم الإشغال مقداره ٣٠ مللي أمبير بحد أقصى، ولا تستخدم إلا سلك التمييد المخصص للاستخدام في المناطق المفتوحة المزود بمقبض وصل مقاوم للرشر؛

قبل الاستخدام

- تأكد دائماً من أن الفولت المزود هو نفسه المشار إليه على اللوحة الخاصة بالأداة (يمكن كذلك توصيل الأدوات ذات التصنيف ٢٣٠ فولت أو ٢٤٠ فولت بمصدر إمداد ٢٢٠ فولت)؛
- قم دائماً بتركيب مقبض مساعد A (⊕) أو B (⊖)، ولا تستخدم الأداة بدونها نهائيًا
- الغبار الناتج من المواد كالكاليم الذي يحتوي على رصاص وبعض أنواع الأخشاب واللعان والمكونات المعدنية قد يكون ضاراً (ملاصقة أو استنشاق الغبار قد تتسبب في إصابة المشغل أو من يجاوره بأمراض الحساسية و/أو أمراض الجهاز التنفسي)؛
- قم بارتداء قناع للغبار مع العمل باستخدام جهاز شفط للغبار، طالما أمكن توصيله
- نمة أنواع معينة من الغبار تُصنّف على أنها مواد مسببة للسرطان (مثل غبار خشب البوط والزنان) خاصة عند استخدامها مع مواد مضافة لعلاج الخشب؛
- قم بارتداء قناع للغبار مع العمل باستخدام جهاز شفط للغبار، طالما أمكن توصيله
- التزم بالتعليمات الوطنية الخاصة بالغبار عند العمل باستخدام المواد المطلوبة

مقدمة

- تم تصميم هذه الأداة لسفاح المعدان والبلاستيك والأسطح المطوية إلى جانب صفاح المواد الحجرية بدون استخدام الماء.
- اقرأ دليل التعليمات هذا واحفظه به ١

البيانات الفنية ١

مكونات الأداة ٣

- A مقبض مساعدا
- B مقبض مساعدا (من نوع D)
- C مفتاح مسدس
- D عمود دوران
- E الخشبية الداعمة (VELCRO)
- F قفل مغزلي
- G غطاء صوفي
- H مفتاح التشغيل/إيقاف
- J زر لقفل مفتاح التشغيل/إيقاف التشغيل
- K عجلة للتحكم في السرعة القسوى
- L فتحات التهوية

أمان

تعليمات السلامة العامة

⚠ **تحذير!** اقرأ جميع الملاحظات التحذيرية والتعليمات. إن ارتكاب الأخطاء عند تطبيق الملاحظات التحذيرية والتعليمات قد يؤدي إلى الصدمات الكهربائية، إلى نشوب الحرائق أو أو الإصابة بجروح خطيرة. احتفظ بجميع الملاحظات التحذيرية والتعليمات للمستعمل. يقصد بمصطلح «العدة الكهربائية» المستخدم في الملاحظات التحذيرية، العدد الكهربائي الموصولة بالشبكة الكهربائية (بواسطة كابل الشبكة (الكهربائية) وأيضاً العدد الكهربائي المزودة بطارية (دون كابل الشبكة) الكهربائية).

- ١) الأمان مكان الشغل
 - أ) حافظ على نظافة وحسن إضاءة مكان شغلك الفوضوية في مكان الشغل ومجالات العمل الغير مضاعة قد تؤدي إلى حدوث الحوادث.
 - ب) لا تشغل بالعدة الكهربائية في محيط معرض خطر الانفجار والذي تتوفر فيه السوائل أو الغازات أو الأبخرة القابلة للإشتعال. العدد الكهربائي تشكل الشر الذي قد يتطاير فينشعل الأبخرة والأخيرة.
 - ت) حافظ على بقاء الأطفال وغيرهم من الأشخاص على بعد عندما تستعمل العدد الكهربائي. قد تفقد السيطرة على الجهاز عند التلهي.
- ٢) الأمان الكهربائي
 - أ) يجب أن يتلامس قابس وصل العدد الكهربائي مع المقبس. لا يجوز تغيير القابس بأي حال من الأحوال. لا تستعمل القوابس المهالئة مع العدد الكهربائي الموضوعة تأريض وقائي. تخفض القوابس التي لم يتم تغييرها والمقابس الملائمة من خطر الصدمات الكهربائية.
 - ب) جنب ملامسة السطوح الموضوعة كالأنابيب وراياتورات التدفئة والمدافئ أو البرادات بواسطة جسمك. يزداد خطر الصدمات الكهربائية عندما يكون جسمك موزج.
 - ت) أبعد العدد الكهربائي عن الأمطار أو الرطوبة. يزداد خطر الصدمات الكهربائية إن تسرب الماء إلى داخل العدد الكهربائي.
 - ث) يجب عدم إساعة استخدام الكابل. لا تنسى استعمال الكابل حمل العدد الكهربائي أو تعليقه أو لسحب القابس من المقبس. حافظ على إبعاد الكابل عن الحرارة والزيت والحواف الحادة أو عن أجزاء الجهاز المتحركة. تزيد الكابلات التالفة أو المتشابهة من خطر الصدمات الكهربائية.
 - ج) استخدم فقط كابلات التمديد الصالحة للإستعمال الخارجي أيضا عندما تشغل بالعدة الكهربائية في الحلاء. يخفض استعمال كابل تمديد مخصص للإستعمال الخارجي من خطر الصدمات الكهربائية.

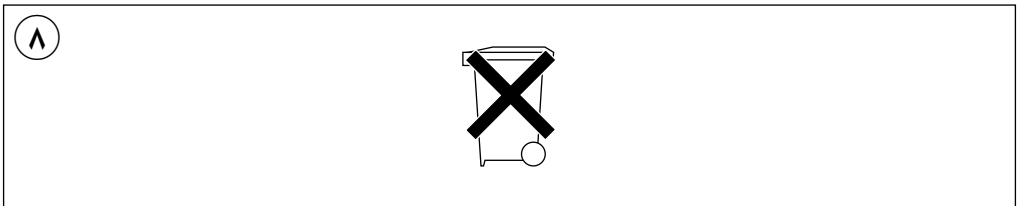
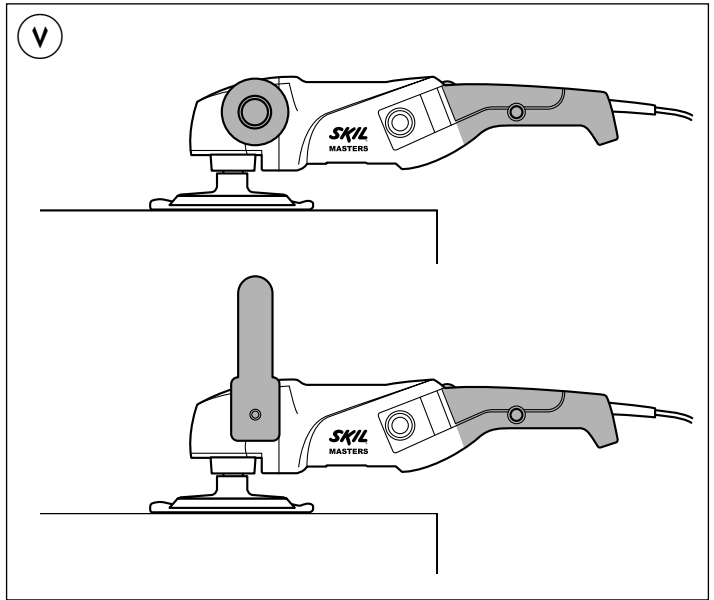
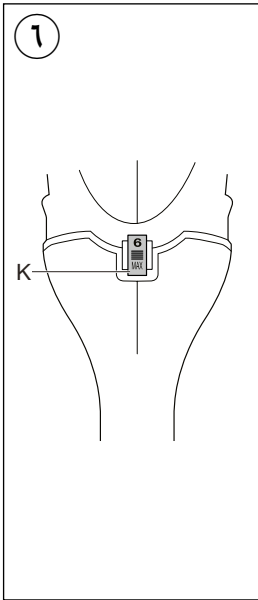
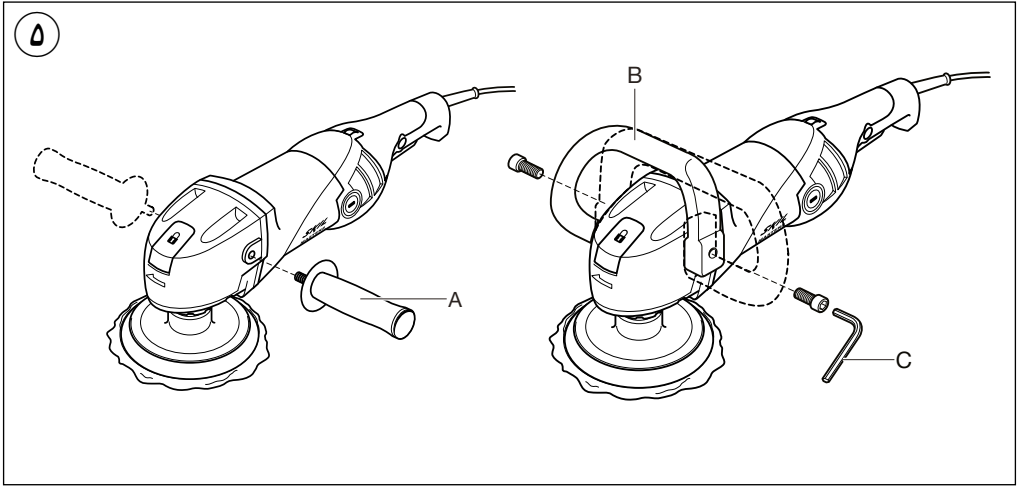
ح) إن لم يكن بالإمكان عدم تشغيل العدد الكهربائي في الأجواء الرطبة. فاستخدم مفتاح للوقاية من التيار المتدرج. إن استخدام مفتاح للوقاية من التيار المتردد يقلل خطر الصدمات الكهربائية.

٣) أمان الأشخاص

- ١) كن يقظا وأنتبه إلى ما تفعله وقم بالعمل بواسطة العدد الكهربائي بتعتل. لا تستخدم عدة كهربائية عندما تكون متعب أو عندما تكون تحت تأثير المخدرات أو الكحول أو الأدوية. عدم الإبتناء للحظة واحدة عند إستخدام العدد الكهربائي قد يؤدي إلى إصابة خطيرة.
 - ب) ارتد عناد الوقاية الخاص. وارتد دائما نظارات واقية. يجب إرتداء عناد الوقاية الخاص. كتنافح الوقاية من الغبار وأخذية الأمان الواقية من الإرتلاق والخوذ واقية الأذنين. حسب نوع وإستعمال العدد الكهربائي. من خطر الإصابة بجروح.
 - ت) جنب التشغيل بشكل غير مقصود. تأكد من كون العدد الكهربائي مطفأة قبل وصلها بإمداد التيار الكهربائي و/ أو بالمركم، وقيل رفعها أو حملها. إن كنت تضع إصبعك على المفتاح أثناء حمل العدد الكهربائي أو إن وصلت الجهاز بالشبكة الكهربائية عندما يكون قيد التشغيل. فقد يؤدي ذلك إلى حدوث الحوادث.
 - ث) انزع عدد الضبط أو مفتاح الربط قبل تشغيل العدد الكهربائي. قد تؤدي العدد أو المفتاح المتواجد في جزء دوران من الجهاز إلى الإصابة بجروح.
 - ج) جنب أوضاع الجسم غير الطبيعية. قف بأمان وحافظ على توازنك دائما. سيسمح لك ذلك من السيطرة على الجهاز بشكل أفضل في المواقف غير المتوقعة.
 - ح) ارتد ملابس مناسبة. لا ترتدي الثياب الفضفاضة أو الخلي. حافظ على إبقاء الشعر والثياب والقفازات على بعد عن أجزاء الجهاز المتحركة. قد تتشابك الثياب الفضفاضة والخلي والشعر الطويل بالأجزاء المتحركة.
 - خ) إن جاز تركيب جهاز شفط وجميع الغبار، فتأكد من أنها موصولة وبأنه يتم استخدامها بشكل سليم. قد يقلل إستخدام تجهيزات لنشط الأبخرة من المخاطر الناتجة عن الأبخرة.
 - د) حسن معاملة وإستخدام العدد الكهربائي
 - أ) لا تفرط في تحميل الجهاز. إستخدم لتنفيذ أشغالك العدد الكهربائي المخصصة لذلك. إنك تعمل بشكل أفضل وأكثر أمانا بواسطة العدد الكهربائي الملائمة في مجال الأمان المذكور.
 - ب) لا تستخدم العدد الكهربائي إن كان مفتاح تشغيلها تالف. العدد الكهربائي التي لم تعد تستعمل بتشغيلها أو بإطافئها خطيرة ويجب أن يتم تصليحها.
 - ت) اسحب القابس من المقبس و/ أو انزع المركم قبل ضبط الجهاز وقيل إستبدال التوابع أو قبل وضع الجهاز جانبها. تمنع إجراءات الاحتياط هذه تشغيل العدد الكهربائي بشكل غير مقصود.
 - ث) احتفظ بالعدد الكهربائي التي لا يتم إستخدامها بعيدا عن متال الأطفال. لا تسمح بإستخدام العدد الكهربائي لمن لاخيرة له بها أو لمن لم يقرأ تلك التعليمات. العدد الكهربائي خطيرة إن تم استخدامها من قبل أشخاص دون خبرة.
 - ج) اعتن بالعدة الكهربائية بشكل جيد. تفحص عما إذا كانت أجزاء الجهاز المتحركة تعمل بشكل سليم وبأنها غير مستعصبة عن الحركة أو إن كانت هناك أجزاء مكسورة أو تالفة لدرجة تؤثر فيها على حسن أداء العدد الكهربائي. ينبغي تصليح هذه الأجزاء التالفة قبل إعادة تشغيل الجهاز الكثير من الحوادث مصدرها العدد الكهربائي التي تم صيانتها بشكل ردي.
 - ح) حافظ على إبقاء عدد القطع نظيفة وحادة. إن عدد القطع ذات حواف القطع الحادة التي تم صيانتها بعناية تتكليس بشكل أقل وتكون توجيهها بشكل أيسر.
 - خ) استخدم العدد الكهربائي والتوابع وعدد الشغل وإلخ حسب هذه التعليمات. تراعى أثناء ذلك شروط الشغل والعمل المراد تنفيذه. استخدم العدد الكهربائي لغير الأشغال المخصصة لأجلها قد يؤدي إلى حدوث الحالات الخطيرة.
 - د) الخدمة
 - أ) اسمح بتصليح عدتك الكهربائية فقط من قبل المتخصصين فقط بإستعمال قطع الغيار الأصلية. يؤمن ذلك المحافظة على أمان الجهاز.

تعليمات السلامة الخاصة بالمصقل

- ١) ملاحظات تحذيرية مشتركة للتجليخ والتجليخ بورق الصنفرة والشغل بالفرش العنيدية والصلق والقطع
 - أ) تم تصميم هذه الأداة الكهربائية لتعمل كمصقلة. اقرأ كل تحذيرات السلامة والتعليمات والصور الإيضاحية والخواص المرفقة مع هذه الأداة الكهربائية. فقد يؤدي الإخفاق في الالتزام بكل التعليمات المبينة فيما يلي إلى التعرض لصدمة كهربائية وأو حريق وأو إصابة خطيرة.



1

9955

1300
Watt

EPTA 01/2003
2,9 kg

n
3000/min

n₀
600-
3000/min

M14

MAX
Ø 180 mm

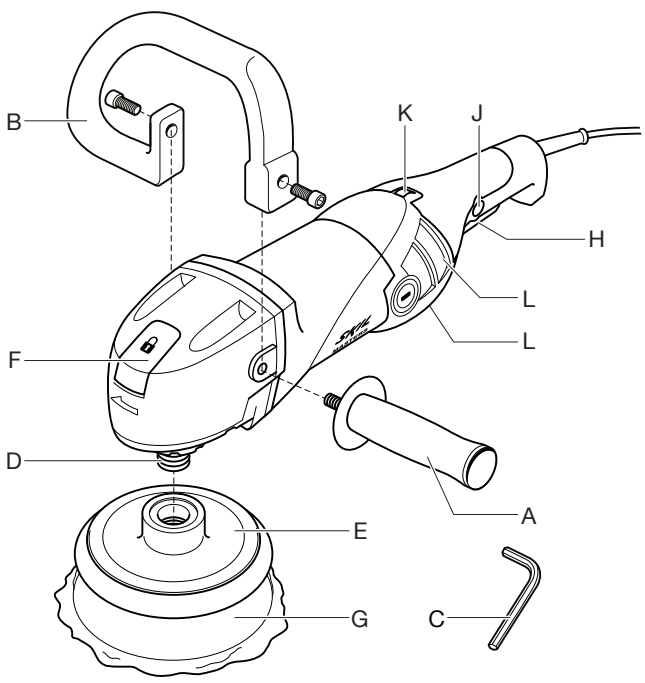
4m
RUBBER

220
240
V~
50-60 Hz

2



3



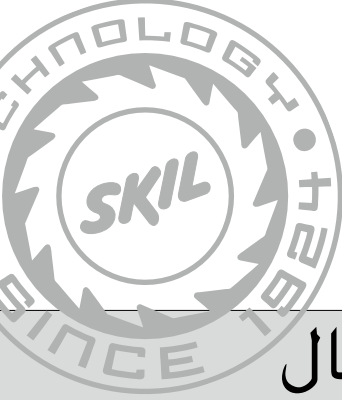
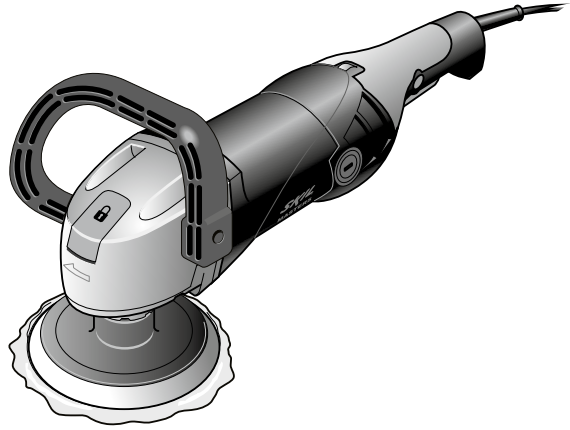
4



مصقلة
9955

SKIL MASTERS

PROFESSIONAL POWER TOOLS



دليل الاستعمال

AR

راهنماي اصلي

FA



2610Z05326

08/13

سكيل أوروبا ب.د.ق. - كونينانبرج 60
4825 ب.د. بريدا - هولندا



Сертификат о соответствии
KZ.7500052.22.01.00062
Срок действия сертификата о соответствии
по 09.07.2018
ТОО «Центр Сертификации продукции и услуг»
г. Алматы, ул Кабанбай батыра,
уг. Калдаякова 51/78