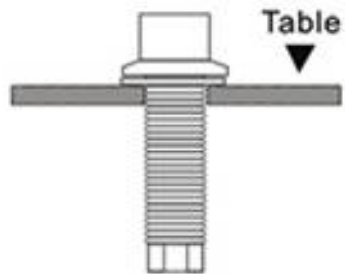
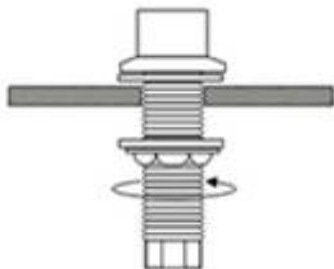


Installation steps

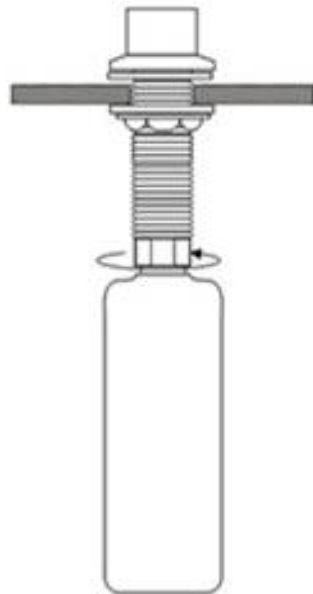
- 1** The soap dispenser
soap dispenser head
into the hole



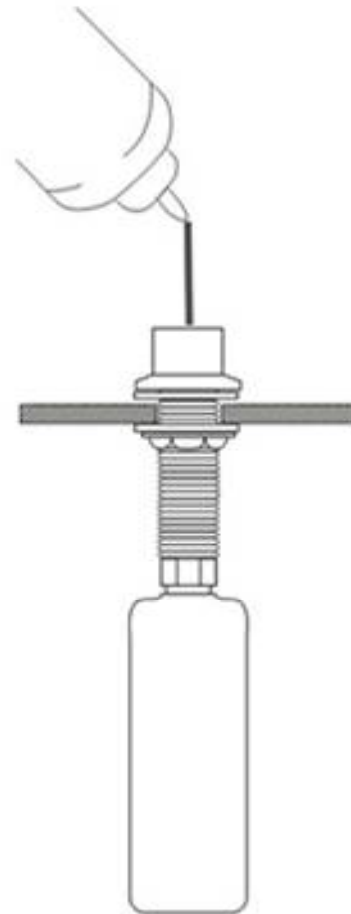
- 2** The closure meson
screwed soap dispenser
head and tighten



- 3** Screw on bottle



- 4** Pour soap or hand-washing
liquid soap to inside



- 5** Pressed down, you
can feel at ease

