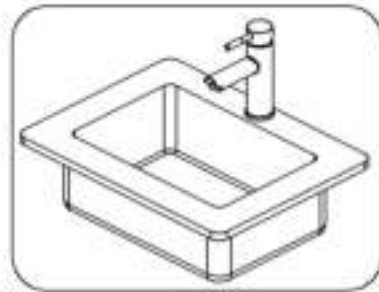


Specification

Basin Faucet

Description:

- 304 stainless steel basin faucet
- Flexible hoses supply with size 3/8
- Ceramic cartridge

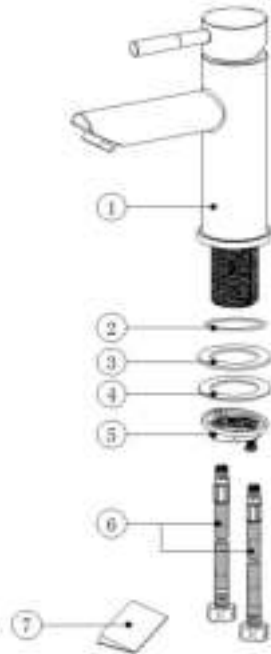


Notes before installation:

1. Please check that all components are present.
2. Before installation ensure that all feed lines are clear of debris and on/off valve is present.
3. If you will be away from home for an extended period you should shut off the main water supply
4. Installation manual tools you will need: adjustable wrench, hexagon wrench, philips screwdriver.

Component parts list

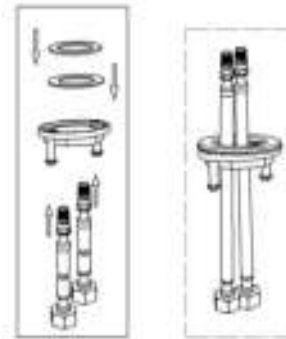
No.	Part name	QTY	Material
1	Faucet	1	304 sus
2,3,4	O-ring	3	rubber
5	Faucet nut	1	304 sus
6	Flexible hoses	2	304 sus
7	Instruction paper	1	paper



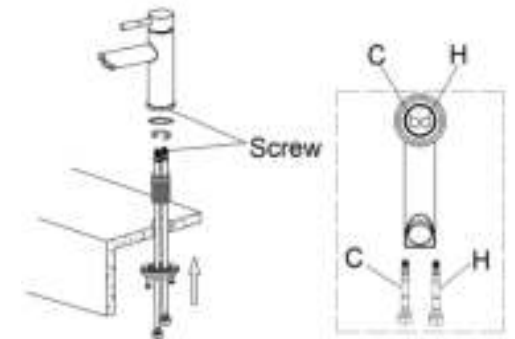
Notice: this faucet is designed to be installed thru 1 hole $\Phi 1\text{-}3/8"$ ($\Phi 35\text{mm}$)min

Installation Way

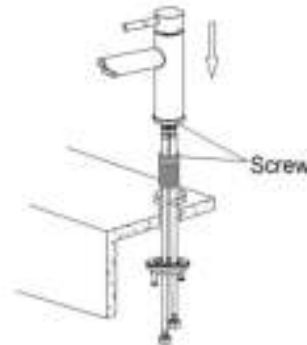
1. Put the flexible hoses through the fixer components.



2. Put faucet into sink hole, put the flexible hoses with the fixer components from sink bottom, red hose in H, blue one in C.



3. Screw the s/s tube into main faucet, put the S/S tub(with faucet) in the sink hole.



4. Tighten up the cap screw by screwdriver to make the fixture strong. Connect the water hose to hot and cold water supply line.



5. Open the faucet, double check for any leakage, and make sure the faucet can work as normal. Hot and cold water can control well when open handle.

