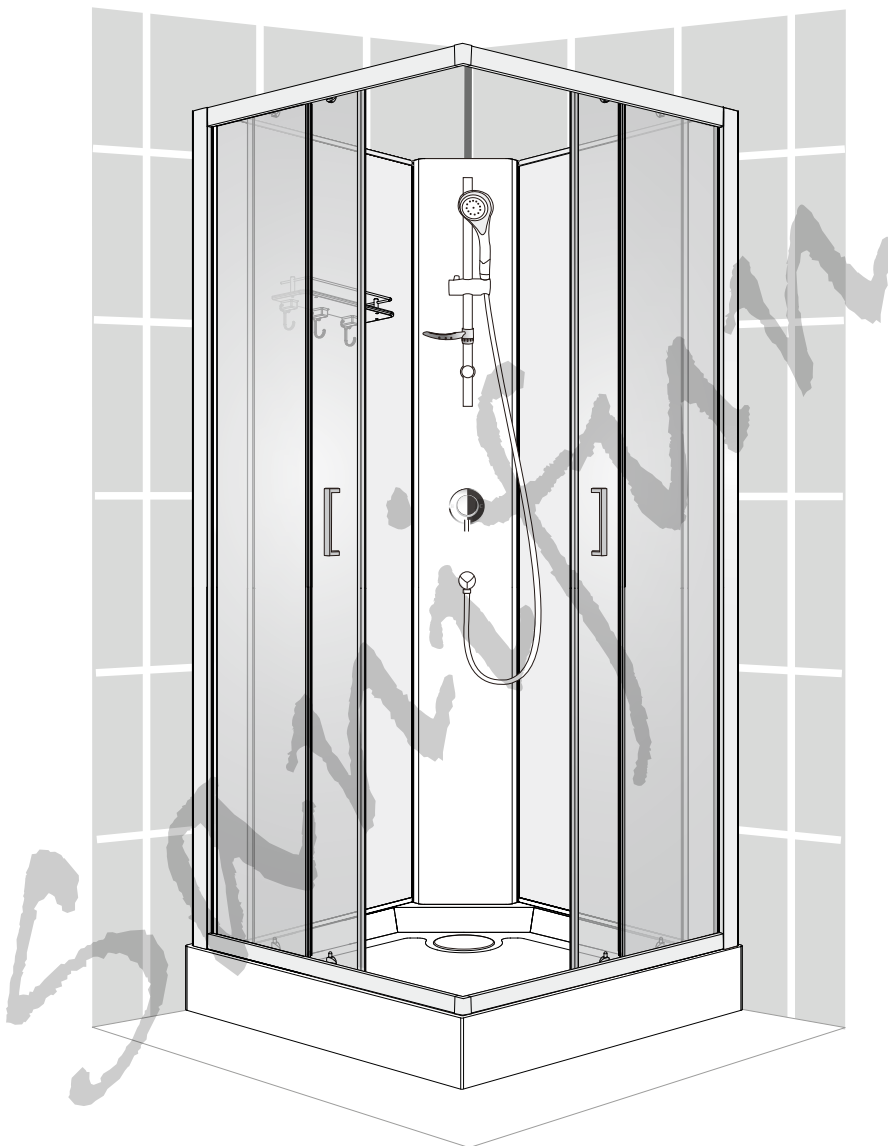
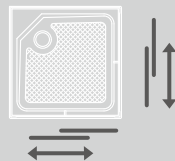
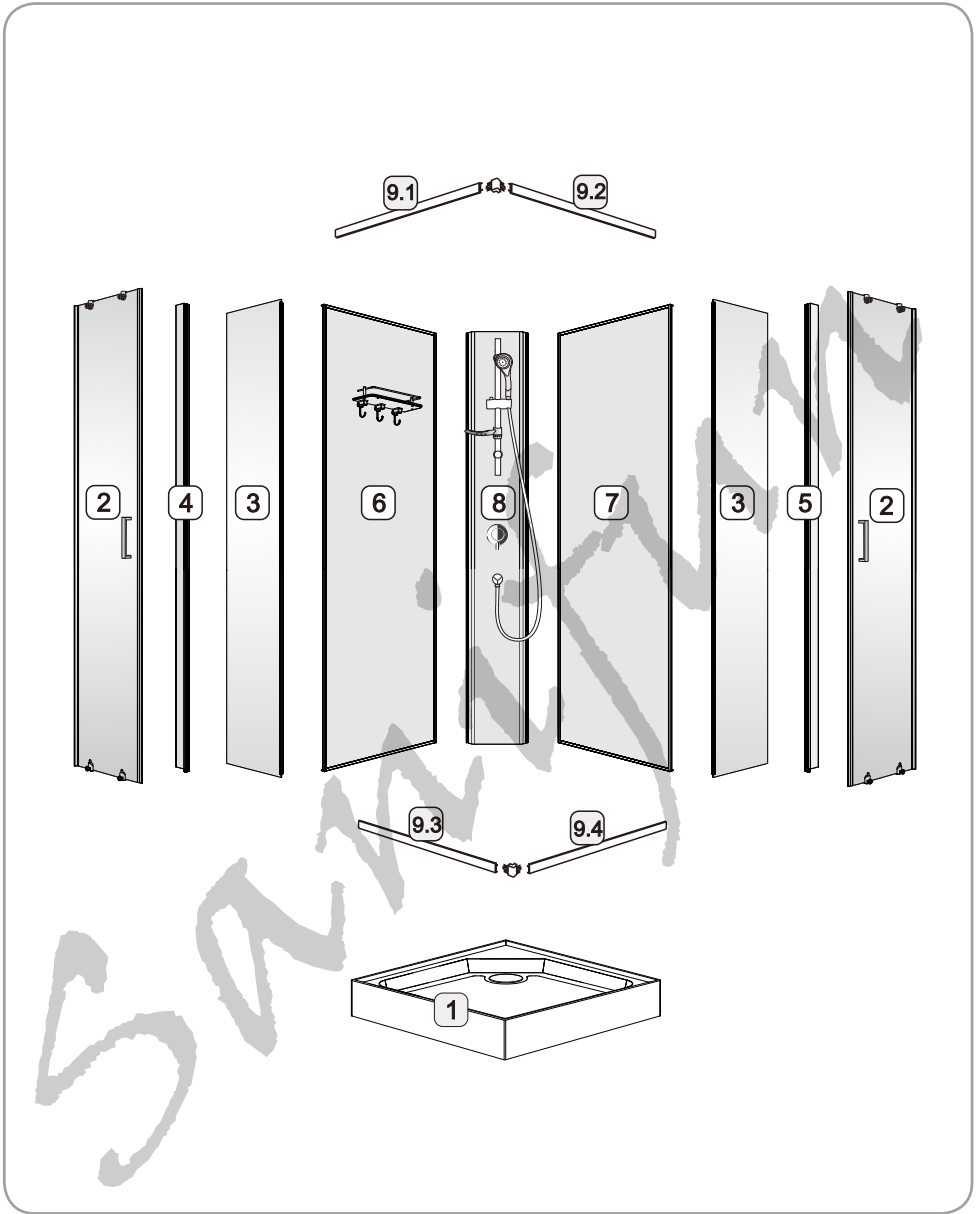


Handleiding van de Sanifun complete douhecabine Kristof



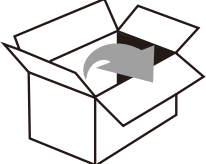
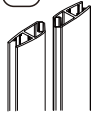
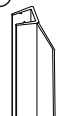
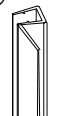

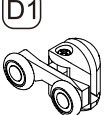
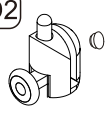
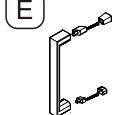
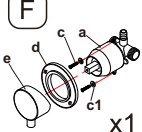

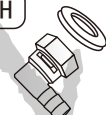

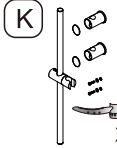


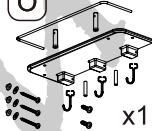
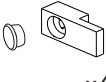







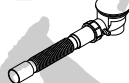

90x90x185+15cm

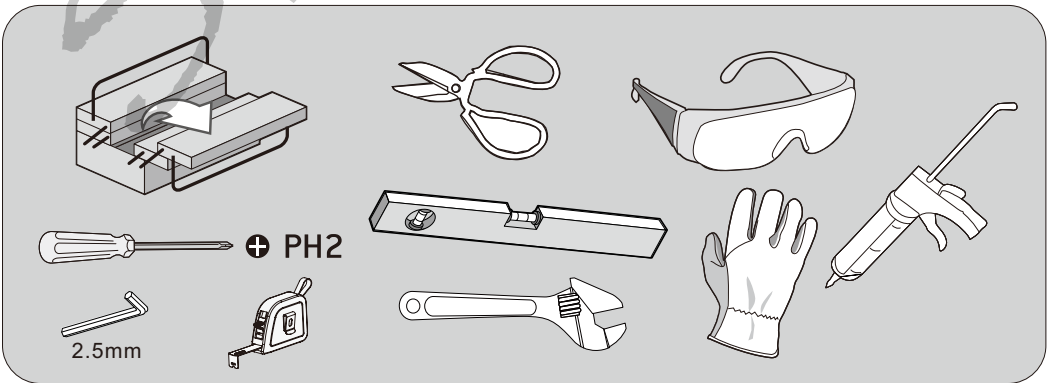


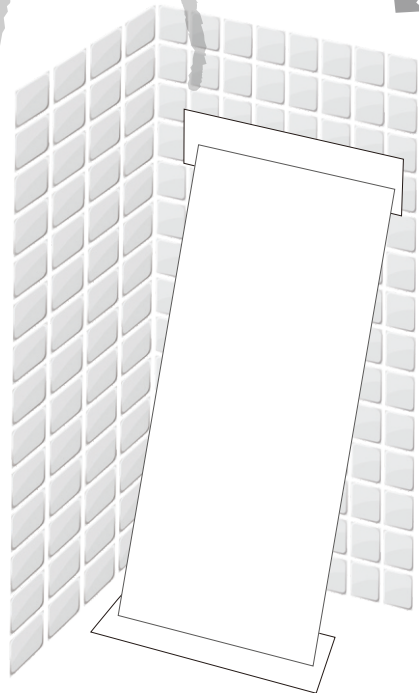
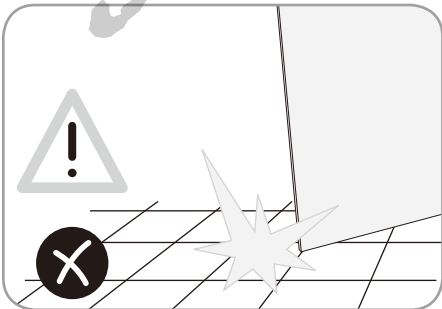
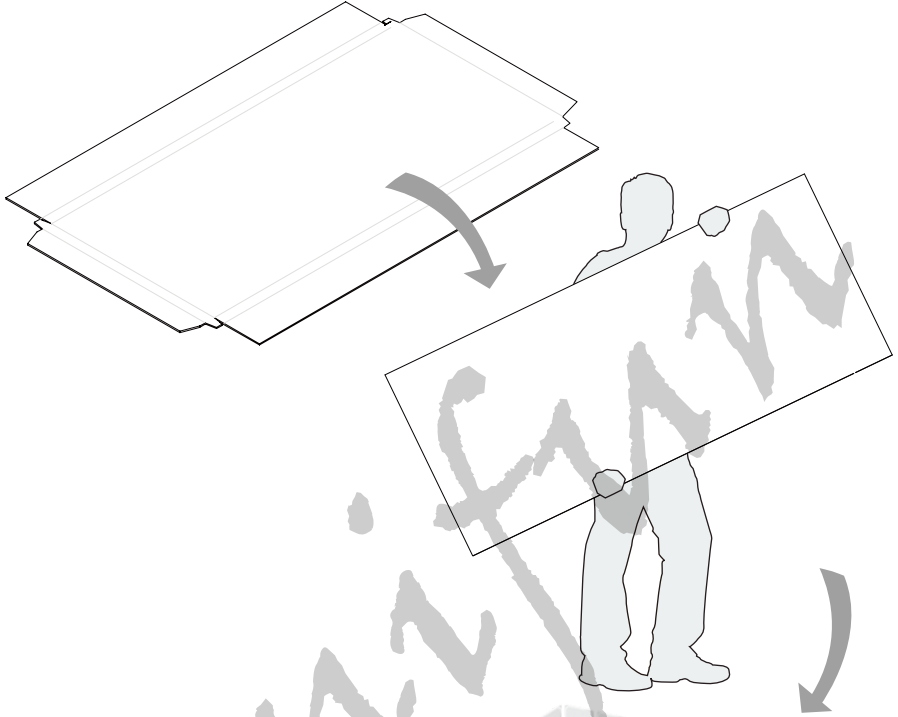


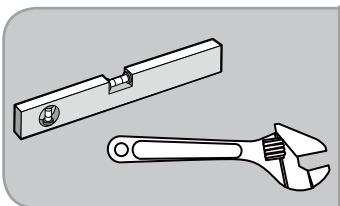
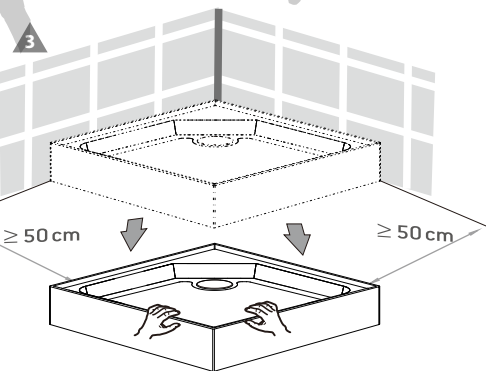
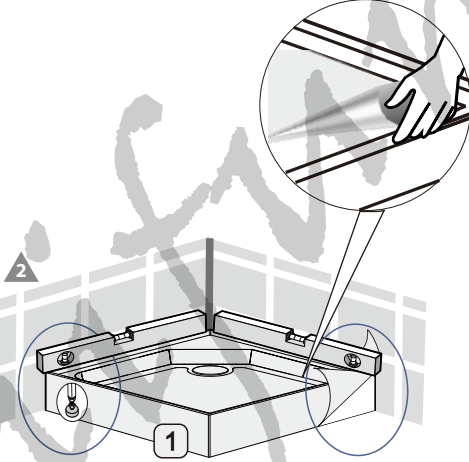
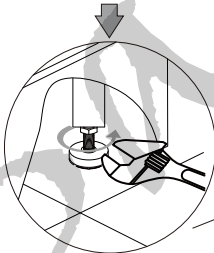
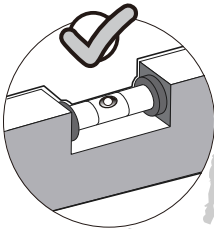
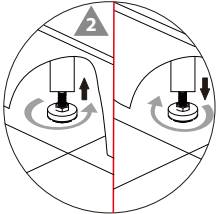
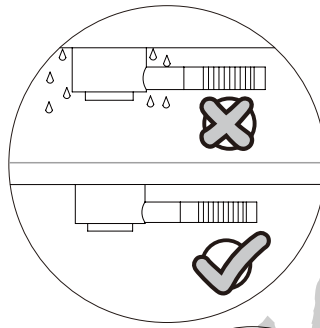
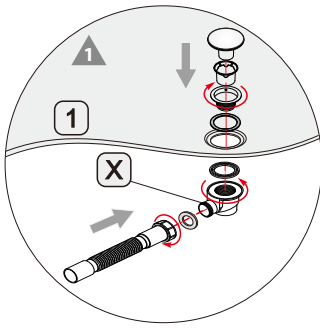
2h

Estimated assembly time: 2h. Requires 2 people.

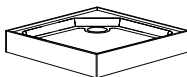
| | | | | | |
|---|--|---|--|---|---|
|  | | A  x1 | B1  x2 | B2  x2 | C  x2 |
| D1  x4 | D2  x4 | E  x2 | F  x1 | G  x1 | H  x1 |
| J  x1 | K  x1 | L  x2 | M  40cm x1 | O  x1 | P  x4 |
| S1  St 4x25 x8 | S2  St 4x8 x4 | S3  St 4x10 x4 | S4  St4X16 x4 | S5  M4x16 x4 | T  Ø4 x12 |
| W  x1 | X  x1 | Y  x2 | | | |





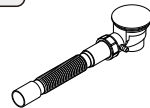


1

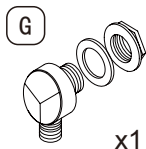
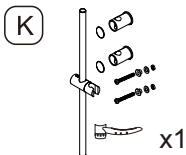
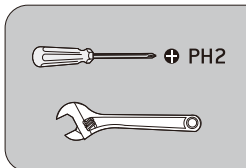
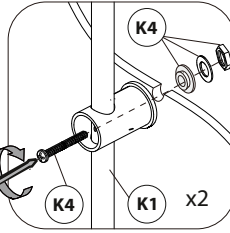
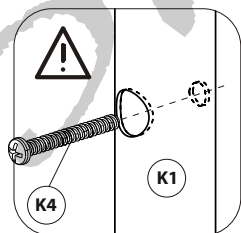
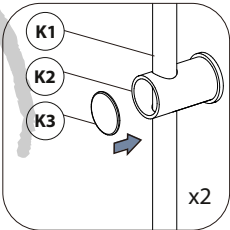
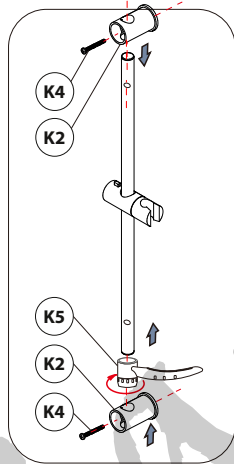
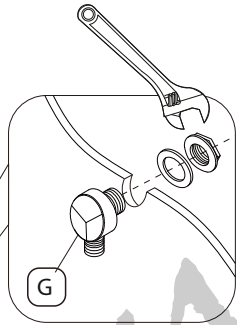
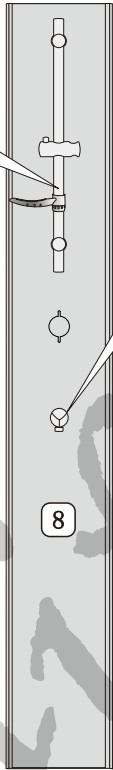
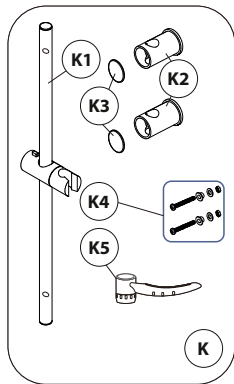


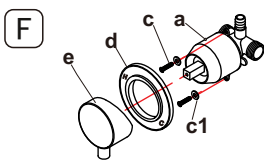
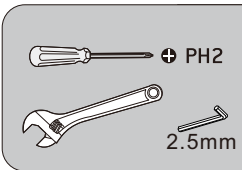
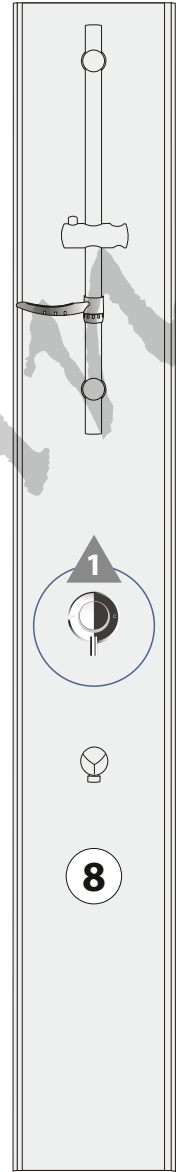
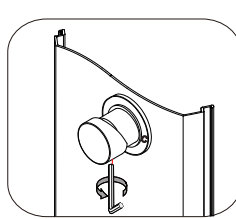
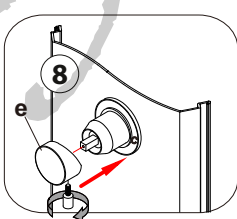
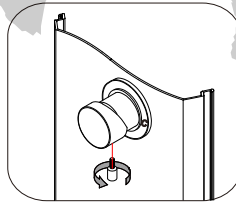
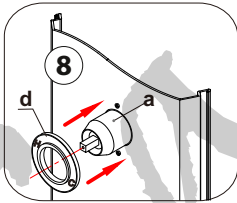
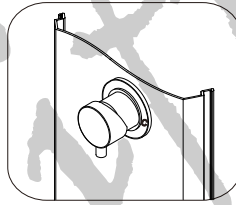
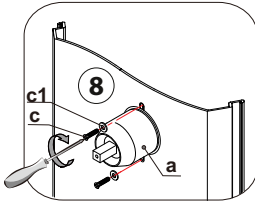
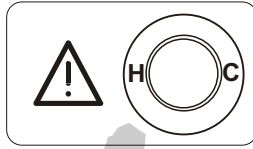
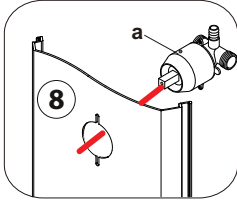
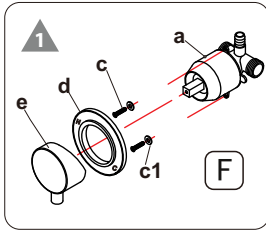
x1

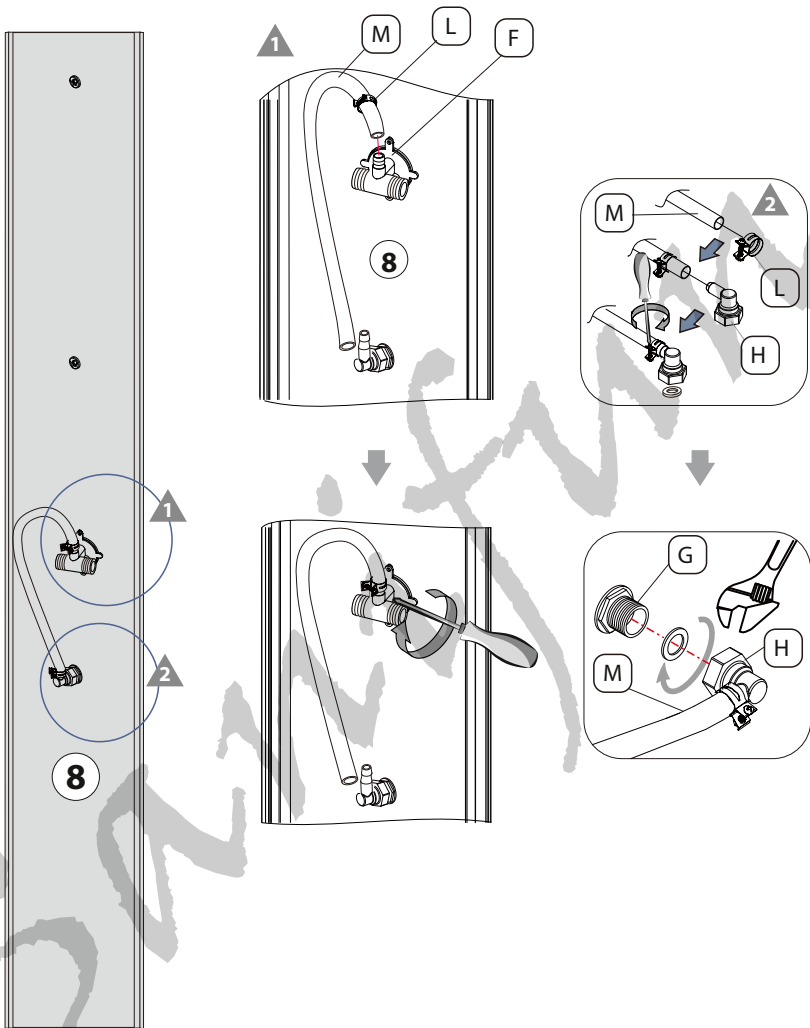
X



x1



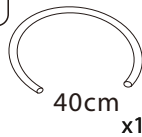




PH2



M



x1

H

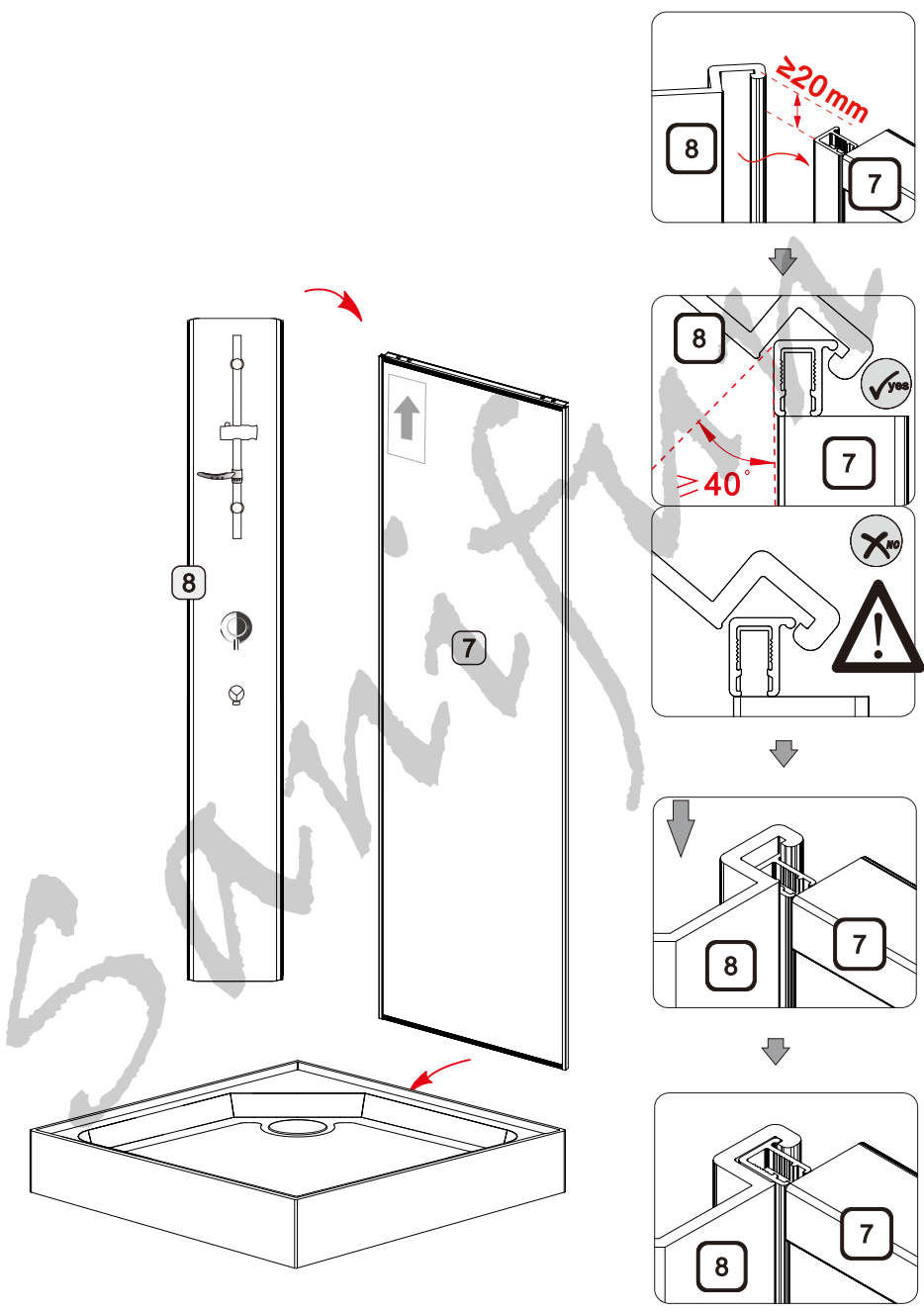


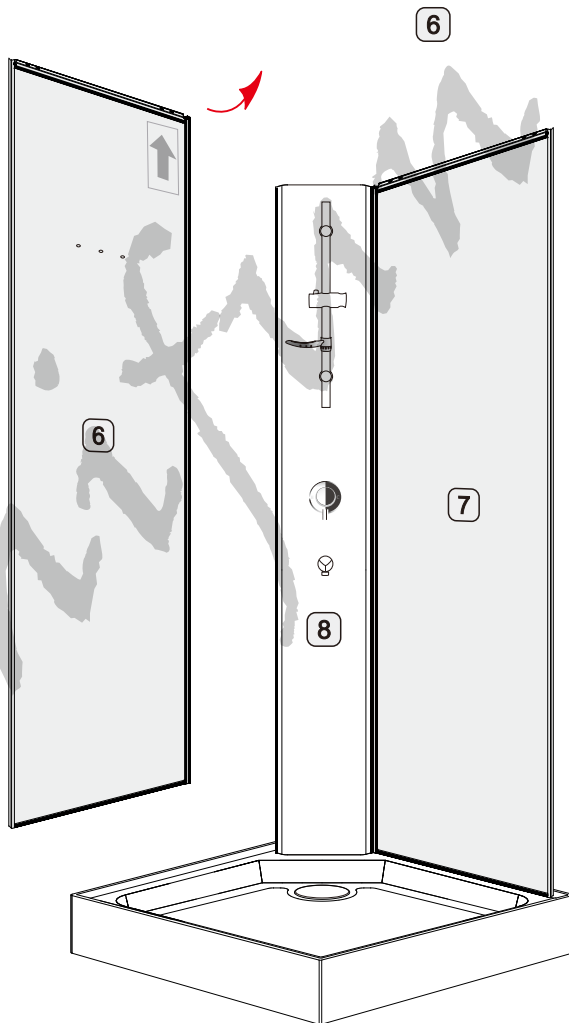
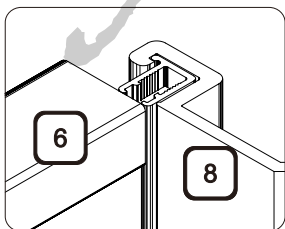
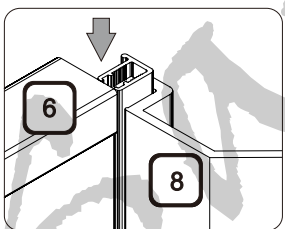
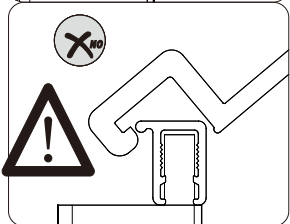
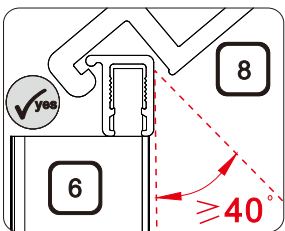
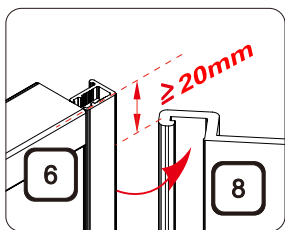
x1

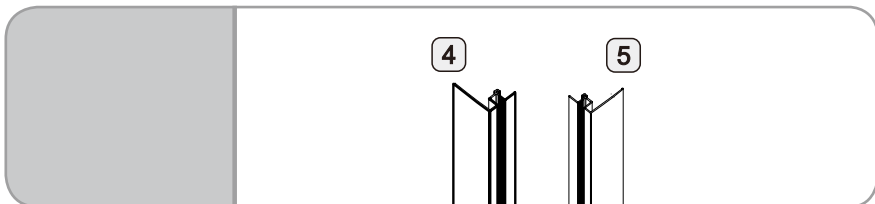
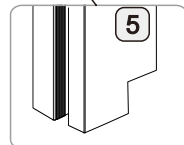
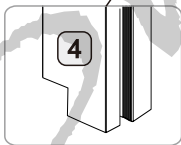
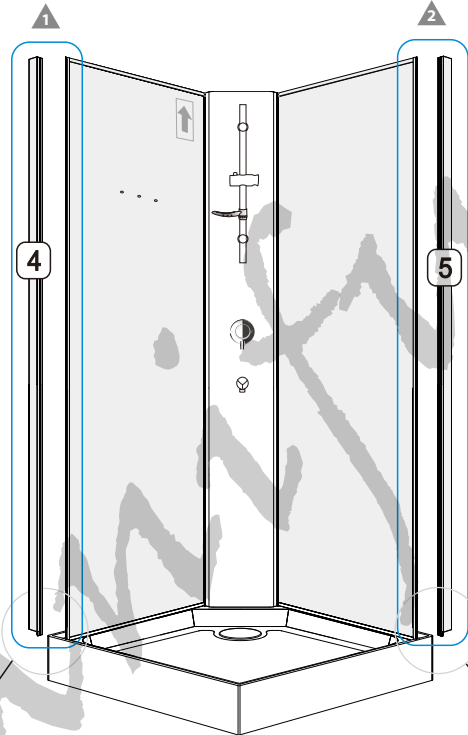
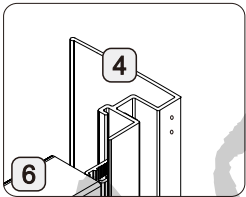
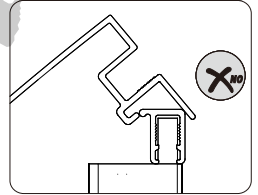
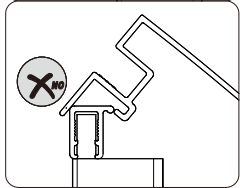
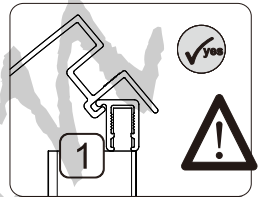
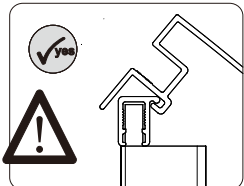
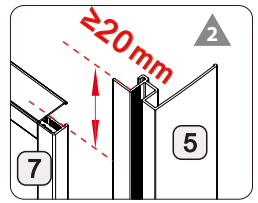
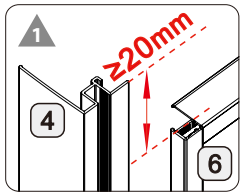
L

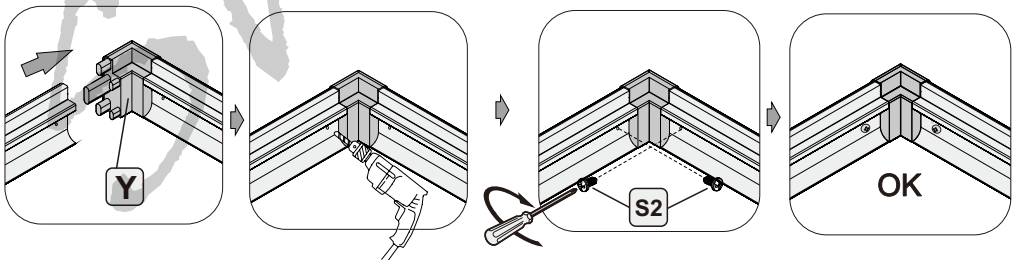
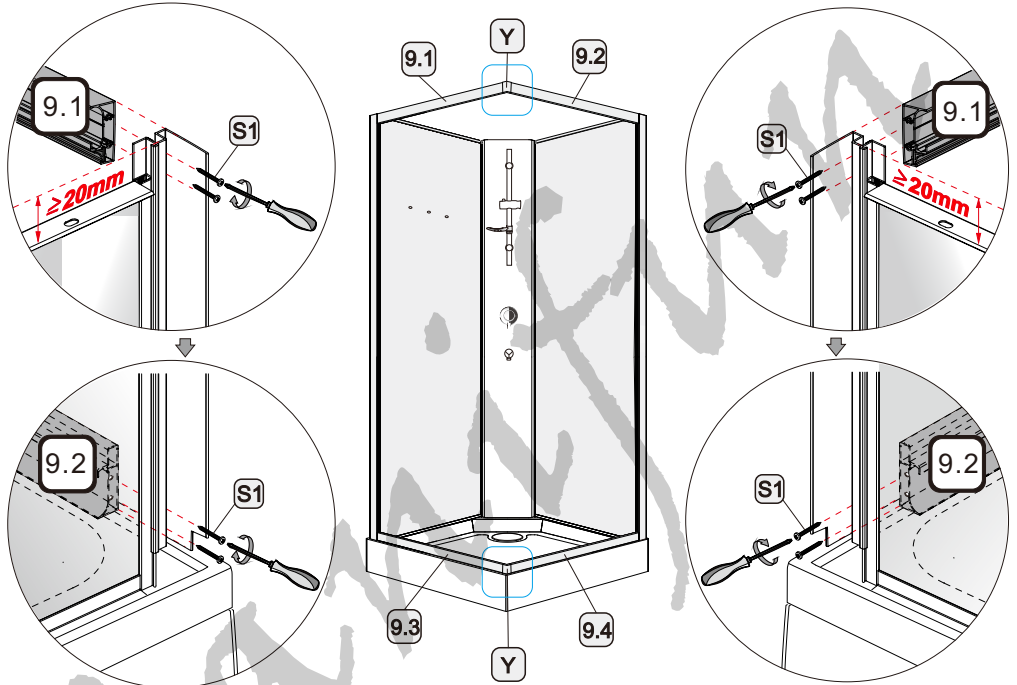
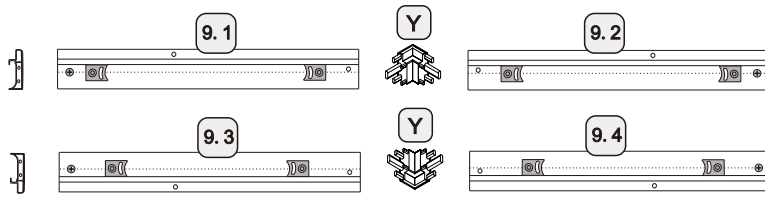


x2

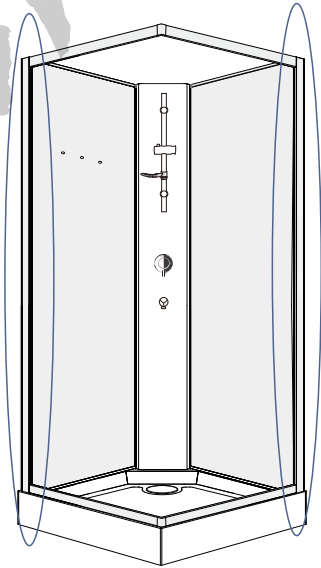
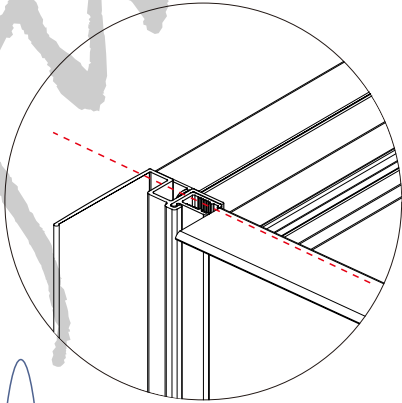
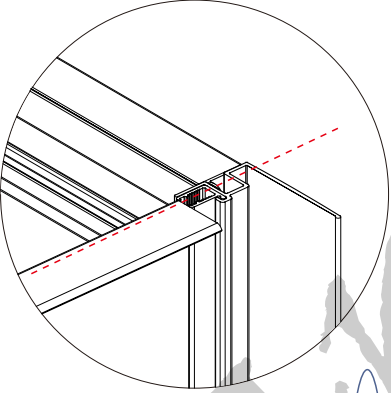
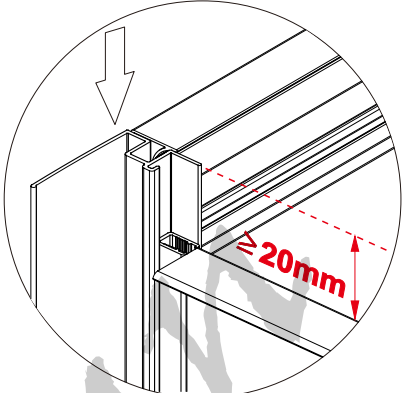
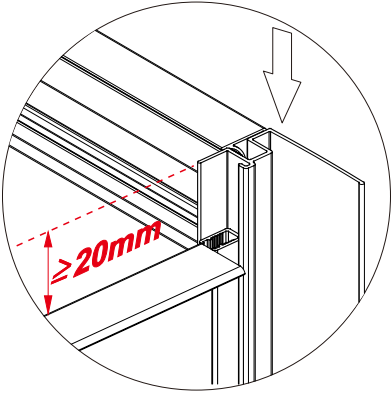


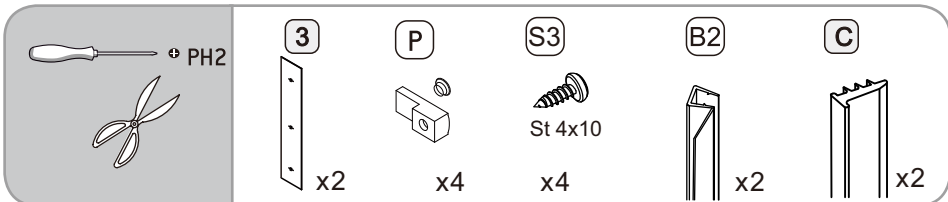
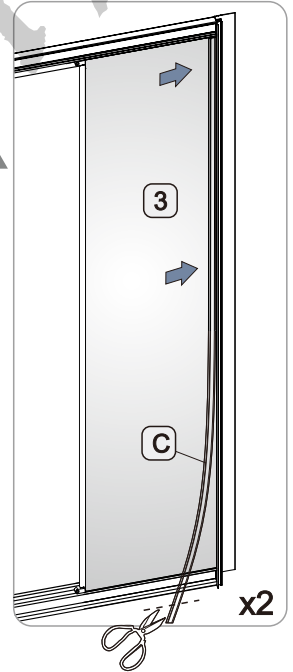
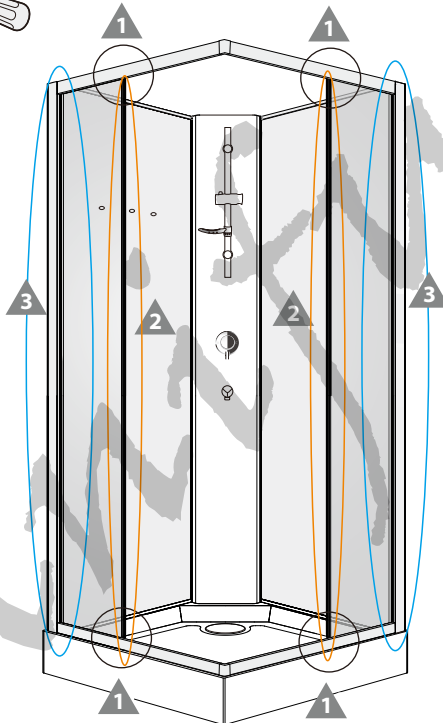
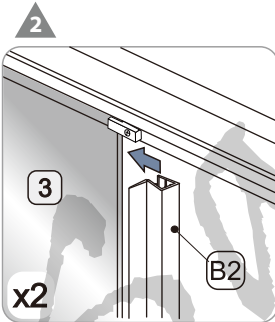
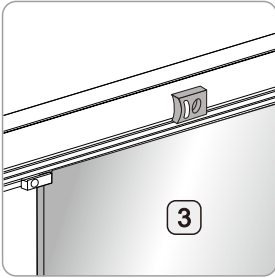
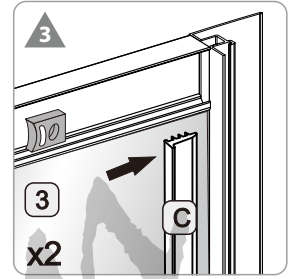
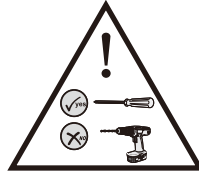
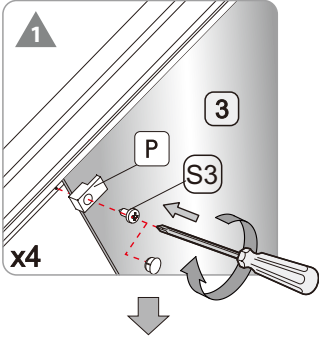


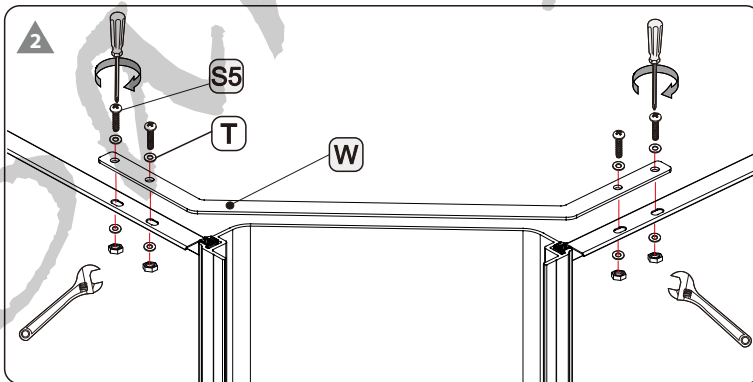
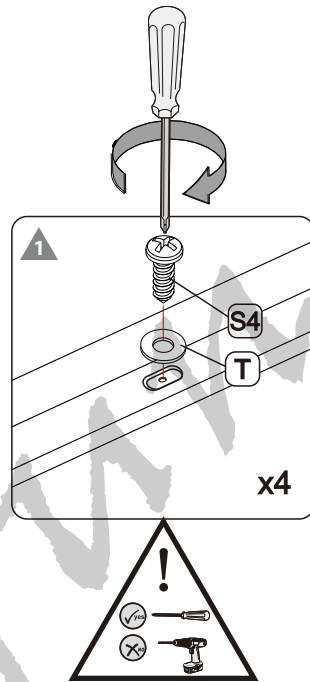
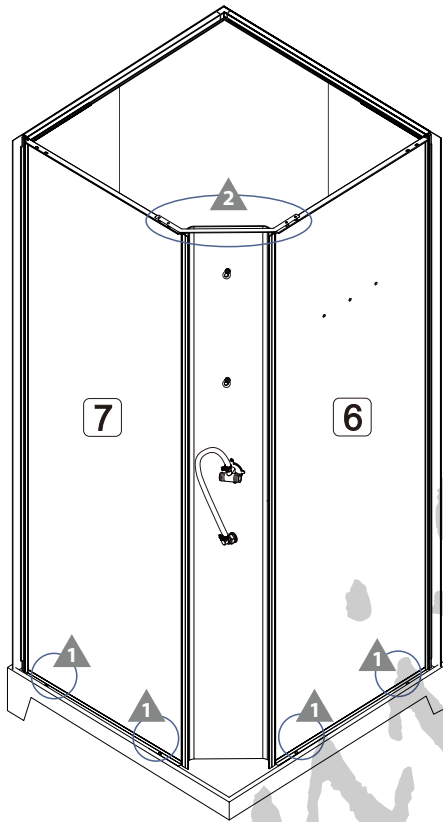






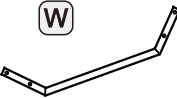



| | | | | | |
|---|--|--|---|--|--|
|  | S1  St4x25 x8 | S2  St 4x8 x4 | Y  x2 | 9.1 x1  | 9.2 x1  |
| | | | | 9.3 x1  | 9.4 x1  |







| | | | | |
|--|--|--|---|--|
|  + PH2  |  S4 St4X16 x4 |  T Ø4 x12 |  W x4 |  S5 x4 |
|--|--|--|---|--|

