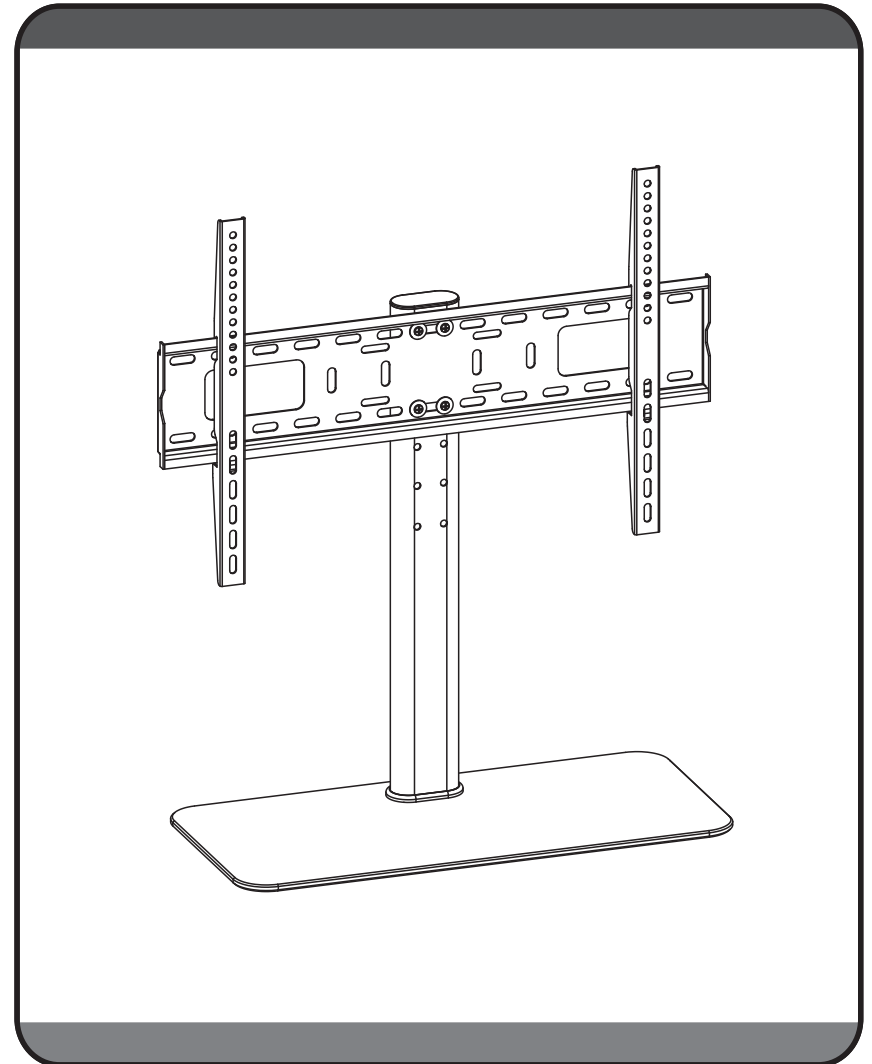
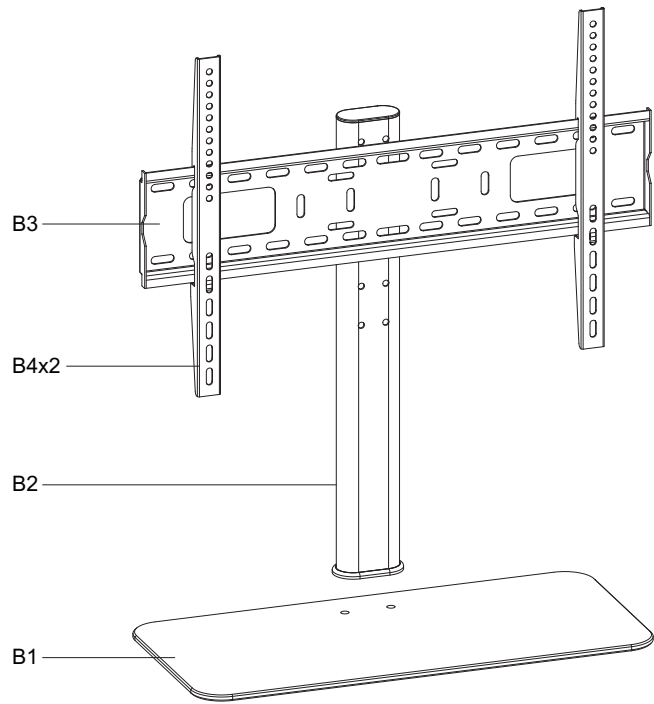


nedis

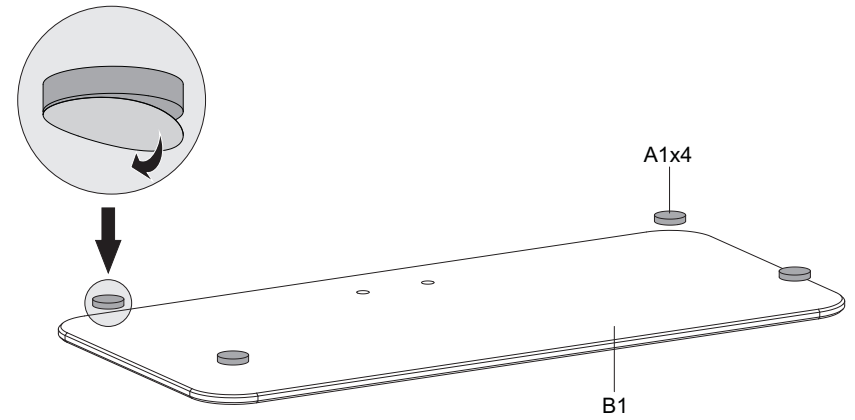
**TVSM2030BK
INSTALLATION MANUAL**





<p>A1x4</p>	<p>A2x6</p>	<p>A3x10</p>
<p>A4x2</p>	<p>A5x4</p>	<p>A6x4</p>
<p>A7x1</p>	<p>A8x1</p>	<p>A9x2</p>

1



2

