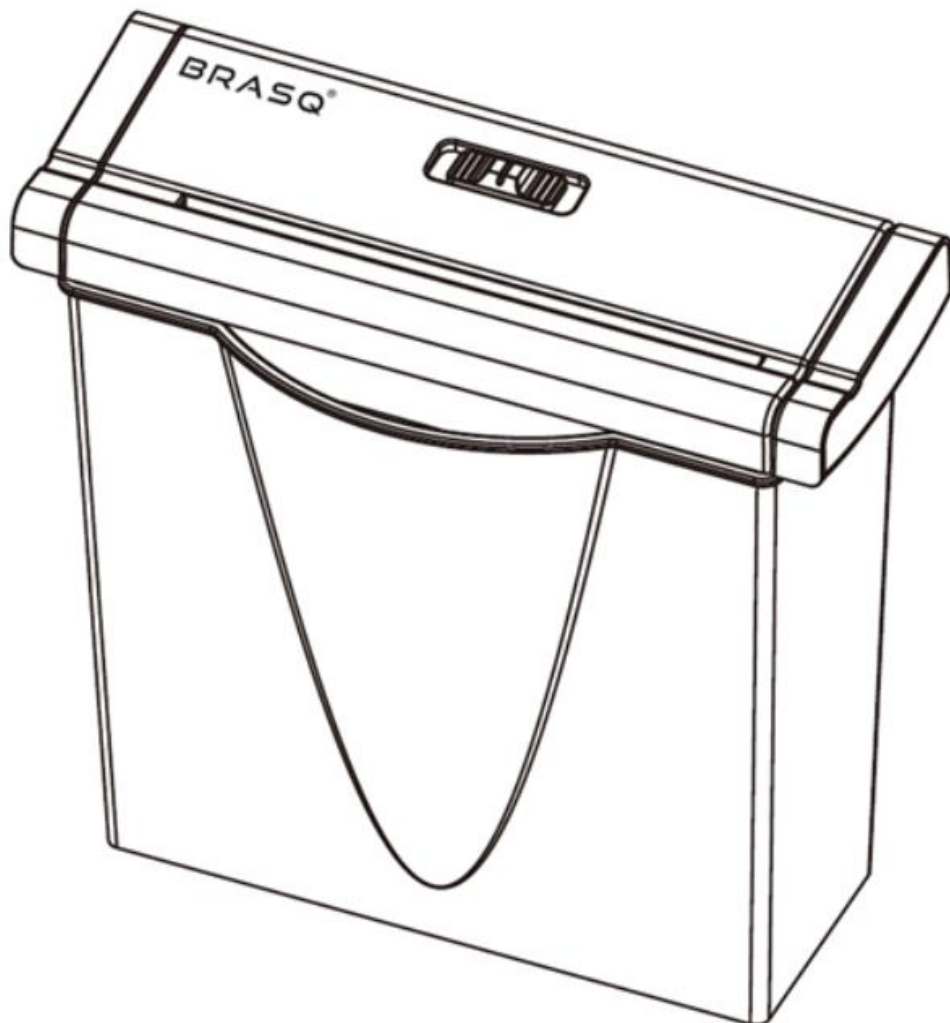
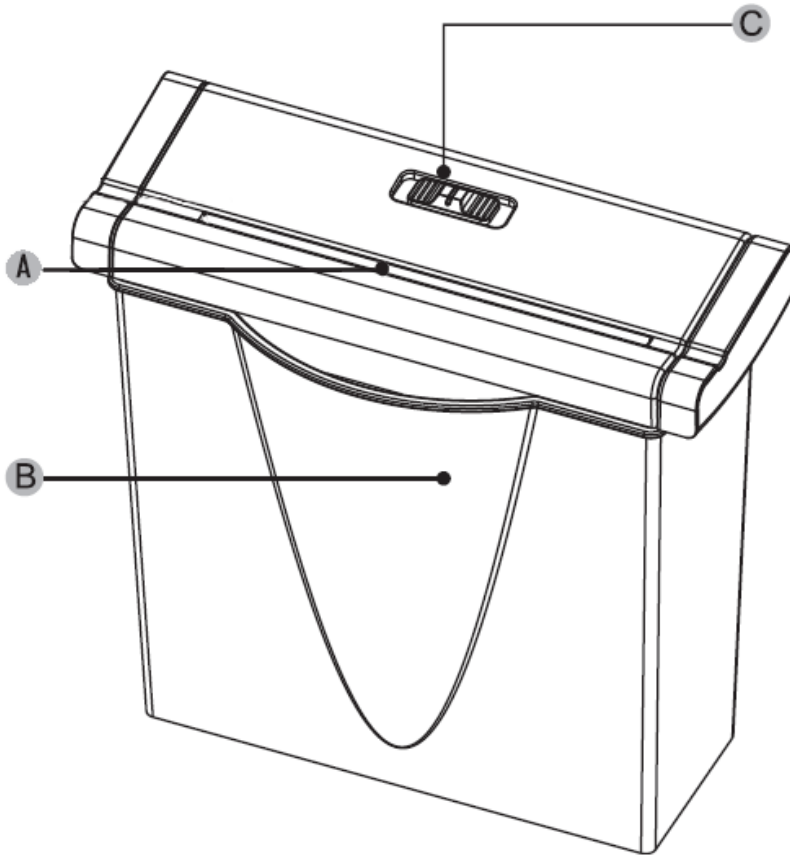


BRASQ[®]

INSTRUCTION MANUAL
PAPER SHREDDER PS206



OVERVIEW:



- A Paper/Card Entry
- B Waste bin
- C Auto / Off / Reverse

OPERATION INSTRUCTIONS:

Attention!	Risk for injury	Risk for injury	Risk for injury	Risk for injury	Danger of electric shock and damage	Attention!	Attention!
Read instructions before use!	Read the safety instructions to avoid electric shock and/or serious injuries!	Do not reach into the paper feed with fingers or other body parts.	Pay attention that hair is not entering the paper feed.	Children should be supervised to ensure that they do not play with the appliance.	Protect the appliance against moisture like rain and humidity, keep aerosol products away	Ensure that clothing, ties, hair, jewellery or other small objects are not in close proximity to the paper feed.	Do not insert paperclips

SAFETY INSTRUCTIONS :

Read the operating manual carefully before starting up the shredder! - Ensure that the voltage and frequency of the power supply correspond to the data on the rating plate! Incorrect voltage may result in destruction of the unit! - The socket must be easily accessible - Do not open the housing lid! This can cause serious injury like electric shock! The inner parts cannot be maintained. - Repairs are to be effected by qualified after-sales service staff only, or else the warranty of this machine is no longer valid. The safety devices must not be removed or manipulated.

OPERATION :

Remove all staples and paper clips! This will extend the shredders life. Max. capacity = 6 sheets at the same time (80 g/m2)!

1. Set the switch to „AUTO“. Put the plug in a power socket. 2. The shredder switches on automatically when a sheet of paper is fed into feed aperture. It stops once the sheet has passed through. 3. Do not set the switch to REVERSE (REV) when shredding a Credit Card, otherwise the shredder may be damaged. The shredder cannot shred paper and a Credit Card at the same time and can only shred one Credit Card at once. 4. When shredding small material like Credit Cards or receipts, insert them in the middle of the paper feed opening.

WHAT TO DO WHEN PAPER JAM OCCURS :

1. a. If the shredder fails because of a paper jam, set the switch to REVERSE (REV). 2. Remove the rejected paper and feed less sheets into the shredder. Never pull paper out of the shredder, this will damage the cutters. 3. Should it occur that the shredder does not react to anything then it is very likely that the motor is overheated. Try the previous steps again after 30 to 40 minutes.

CAUTION!

1. a. This shredder is designed for short operation. If it runs for too long or overheats, the shredder switches off automatically and must be cooling down for several minutes before it is ready to resume operation. 2 minutes on, 20 to 30 minutes off . b. Do not exceed the maximum cutting capacity! 2. Keep hands and fingers away from the feed opening. Serious injury may result. Be careful with long hair and with neck-ties, bracelets, and other jewellery. 3. Do not expose the shredder to rain or humidity 4. Do not operate the machine unsupervised. 5. Always turn off the shredder by unplugging the machine before moving or cleaning. Cleaning only with a damp cloth! 6. Do not use in the vicinity of inflammable liquids or gasses. Do not use in the vicinity of corrosive materials. 7. Empty the bin and oil the shredder frequently for smooth, trouble free operation. 8. Never allow the shredder to remain in a jammed condition with the power turned on. 9. Do not alter the plug!

NOTE:

The shredder is only suitable for shredding paper and Credit Cards (not other materials like labels, cardboard or plastics)! Never shred envelopes, labels or anything with glue or any sticky substance as this will lead to paper jams. Do not open the housing lid! This can cause serious injury like electric shock! Warranty on the machine will become invalid once a non qualified person intervenes with the machine.

TECHNICAL DATA :

Cutting capacity	Max. 6 sheets of A4 (80 g/m ²)
Cutting method, cut width	Strip-cut, 6 mm
Shredding speed	2.5 - 3.0 m/min
Width of paper infeed	220 mm
Continuous operation time	2 min.
Noise level	73 dB(A)
Range of operations	Auto start/Auto stop Reverse Running Off
Dimensions (W x D x H)	310-380 x 145 x 290 mm
Weight	1.7 kg
Power supply	220 - 240 V / 50 Hz
Rated input power	0.9 A

TROUBLESHOOTING :

Problem	Why	How To Do
Machine Doesn't Work	Power is not connected	Check and connect to the power source
	Voltage is low or no power	Switch off the machine, and wait the power reached to correct voltage
	The safety switch is not connect well with the waste bin	Place the shredder head correctly with the waste bin, and make sure the
		safety switch is correctly connected with the mechanism on the waste bin
	Machine is over heated, motor in protection mode	Wait about 30 - 60 minutes to recover the motor
	Paper is too thin or two transparent	Add one more sheet of paper and try again, make sure the paper is hard enough to trigger the safety switch locating in the center of the entry
	Overloaded or power cable broken	Reduce some sheets of paper, and try again. If the power cable is broken, Do not use again and try to contact with professional service person
Paper jamming	Too much paper inserted	Place the switch to Off position, reduce some sheets of paper by hand, then move switch to Rev position to reverse the jammed paper
Machine run without stop	Paper stuck in the middle of the paper entry	Move the switch to Rev position to reverse the paper, and use a card to trigger the safety switch in the paper entry to clear the jammed paper