

» PERFECT PRO



DIGITUBE®
» PERFECT PRO

INSTRUCTION MANUAL **GB**
MANUEL DE L'UTILISATEUR **F**
GEBRUIKSAANWIJZING **NL**
BEDIENUNGSANLEITUNG **D**



Brand: Perfectpro
Product name: Digitube
Art.nr.: D-TUBE

ENG Declaration of Conformity

Prime Europe B.V. hereby declares that this model D-TUBE is in compliance with the essential requirements and other relevant provisions of Directive 2014/53/EU and also fulfills all the relevant provisions of EC/EU Directives: 2011/65/EU.

The EU declaration of conformity is available at the following internet address:

<http://www.perfectpro.nl/support/ce-docs/>

F Déclaration de conformité

Prime Europe B.V. déclare que ce modèle D-TUBE est conforme aux exigences essentielles et aux autres dispositions pertinentes de la directive 2014/53/EU et remplit toutes les dispositions pertinentes des directives CE/UE: 2011/65/UE.

La déclaration de conformité de l'UE est disponible à l'adresse Internet suivante:

<http://www.perfectpro.fr/supports/ce-docs/>

NL Conformiteitsverklaring

Prime Europe B.V. verklaart hierbij dat dit model D-TUBE voldoet aan de essentiële eisen en andere relevante bepalingen van richtlijn 2014/53/EU en ook voldoet aan de relevante bepalingen van de EG/EU-richtlijnen: 2011/65/EU.

De EU-conformiteitsverklaring is beschikbaar op het volgende internetadres:

<http://www.perfectpro.nl/support/ce-docs/>

DE Korformitätsarklärung

Prime Europe B.V. erklärt hiermit, dass dieses Modell D-TUBE den grundlegenden Anforderungen und anderen einschlägigen Bestimmungen der Richtlinie 2014/53/EU entspricht, und auch alle einschlägigen Bestimmungen der EG/EU-Richtlinien erfüllt: 2011/65/EU.

Die EU-Korformitätserklärung steht unter folgender Internetadresse zur Verfügung:

<http://www.perfectpro.de/support/ce-docs/>

Prime Europe B.V.

Everdenberg 9a, 4902 TT, Oosterhout, The Netherlands

CONTENTS

CONTENTS.....	1
IMPORTANT GENERAL SAFETY INSTRUCTIONS.....	2
CONTROLS.....	3
POWER SUPPLY.....	5
GENERAL FUNCTIONS.....	7
USING THE RADIO FOR THE FIRST TIME.....	8
DAB MODE.....	9
FM MODE.....	12
PRESET STATIONS.....	14
BLUETOOTH MODE.....	14
AUX-IN MODE.....	18
MANUALLY SETTING CLOCK.....	18
tone.....	20
LANGUAGE SETTING.....	21
SOFTWARE VERSION.....	21
SYSTEM RESET.....	22
KEY LOCK	22
BACKLIGHT.....	23
WARRANTY.....	24
INFORMATION.....	25

WARNING ! WARRANTY BECOMES VOID ONCE THE DEVICE CABINET HAS BEEN OPENED OR ANY MODIFICATIONS OR ALTERATIONS TO THE ORIGINAL DEVICE HAVE BEEN MADE

IMPORTANT SAFETY INSTRUCTIONS

1. Read these instructions.
2. Keep these instructions.
3. Heed all warnings.
4. Follow all instructions.
5. Clean only with dry cloth.
6. Do not block any ventilation openings. Install in accordance with the instructions.
7. Do not install near any heat sources such as radiators, heat registers, stoves or other apparatus (including amplifiers) that produce heat.
8. Only use attachments/accessories specified by the manufacturer.
9. Use only with the cart, stand, tripod, bracket, or table specified by the manufacturer, or sold with the apparatus. When a cart is used, use caution when moving the cart/apparatus combination to avoid injury from tip-over.
10. Unplug this apparatus during lightning storms or when unused for long periods of time.
11. Refer all servicing to qualified service personnel. Servicing is required if the apparatus has been damaged in any, such as power-supply cord or plug is damaged, liquid has been spilled or objects have fallen into the apparatus, the apparatus has been exposed to rain or moisture, does not operate normally, or has been dropped.
12. To reduce the risk of fire or electric shock, do not expose this appliance to rain or moisture.
13. Do not remove the cover; there are no user-serviceable parts inside.
14. No naked flame sources shall be placed on the apparatus.
15. For outdoors use, to avoid electric shock, use battery only during a raining day or the weather is wet. To prevent electric shock, if the radio has been exposed to rain or water, the power supply cord and plug must be completely dried before plugging into the mains socket outlet.
16. The power plug should be close to the apparatus, and easy to be approached that during emergency, to disconnect the power from the apparatus, just unplug the power plug from the AC power slot.
17. The marking information is located at the bottom of the apparatus.
18. This apparatus is provided with protection against splashing water (IP45).
19. In case of malfunction due to electrostatic discharge or fast transient (burst), remove and reconnect the power supply.
20. Use only the AC/DC adaptor which is provided by the manufacturer:
ATL model : DCL25AF-120200
Input : AC 110-240V 50/60Hz
Output : 12V DC 2A

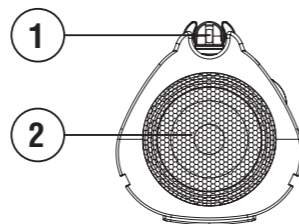


GB

CONTROLS

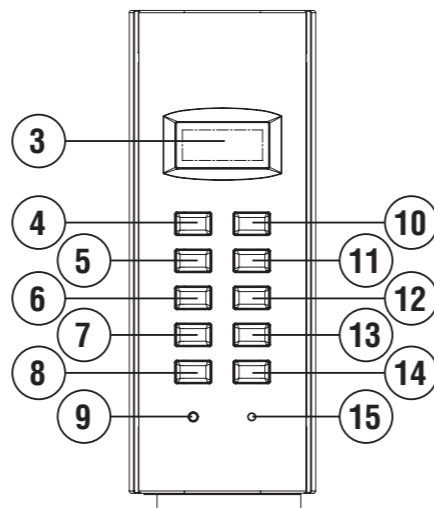
Top View

1. Antenna
2. Speaker



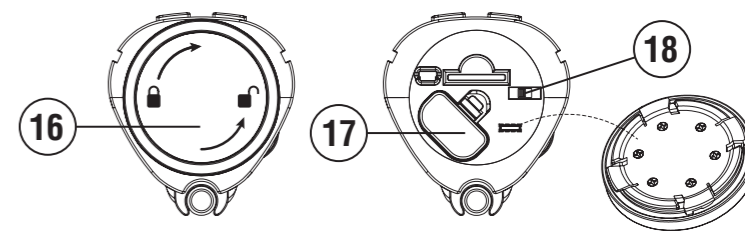
Front View

3. LCD Display
4. Volume Down
5. Tuning Down
6. Menu-Preset
7. Tone
8. On/Off
9. Bluetooth Connected LED Light
10. Volume Up
11. Tuning Up
12. Select-Info
13. Source
14. Phone Button
15. Microphone



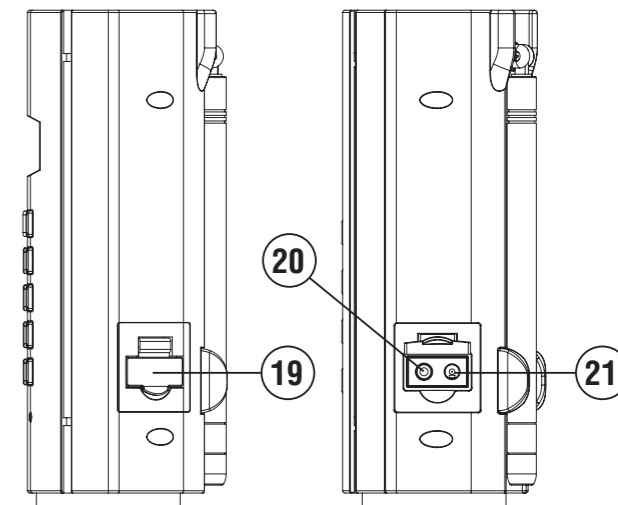
Bottom View

16. Rubber Foot
17. Battery Door
18. Battery Charger Switch



Side Views

19. Jack Rubber Cover
20. Aux-in
21. DC Adaptor In



POWER SUPPLY

AC operation

1. Before plugging the AC/DC adaptor into the AC socket, make sure the voltage is correct and the **Battery charger switch** is set correctly: **ALKALINE OFF** for when using no batteries or Alkaline batteries / **NiMH ON** for when using NiMH rechargeable batteries.
2. If you use Alkaline batteries in the radio and the **Battery charger switch** is on **ALKALINE OFF**, the batteries will be disconnected automatically when using AC power supply.
3. If you use rechargeable NiMH batteries in the radio and the **Battery charger switch** is on **NiMH ON**, the NiMH batteries will be charged automatically when using AC power supply.
4. Never use the AC/DC adaptor in rainy or moist conditions to prevent short circuit or moist from entering the radio. Under those conditions only use battery power and keep the rubber cover closed.

Note:
In order to disconnect the unit from the AC mains completely, the AC/DC adaptor should be removed from the mains socket completely and it shall remain readily operable and should not be obstructed during intended use.
In case of malfunction due to electrostatic discharge or fast transient (burst), remove the AC adaptor from power supply and remove the batteries then reinstall the batteries and reconnect the power supply.

Battery operation

1. To open the battery compartment, first remove the rubber foot at the bottom of the apparatus by turning it in counter clockwise direction.
2. Loosen the screw of the door by unscrewing it in anti-clockwise direction.
3. Observe correct polarity as indicated on the unit (+ and -). Insert Alkaline batteries (6 x 1,5V type IEC LR6 / AM3 / Size AA) or NiMH rechargeable batteries (6 x 1,2V PerfectPro Rechargeable Accu, Size AA / HR6 / 2500mAh) with the correct polarity into the compartment.
4. Close the battery door and make sure the screw is fastened.
5. Set the **Battery charger switch** in the battery compartment according to the battery type to be used (**ALKALINE OFF** or **NiMH ON**).

6. When you choose to use NiMH batteries, switch the **Battery charger switch** to **NiMH ON**. The radio will charge the batteries when it is connected to AC power. When the battery is being charged, the battery symbol on the LCD display will animate. The charging and animation will stop automatically when the batteries are full.
7. When you choose to use Alkaline batteries, switch the Battery charger switch to **ALKALINE OFF**. Alkaline battery will not be charged.
8. Close the rubber foot well to prevent moist or dust from entering the compartment by turning it in clockwise direction onto the unit.
9. If the unit is not to be used for any extended period of time, it is recommended that the batteries are removed from the radio.

The approximate power level of the batteries is displayed on the LCD display of the radio by the battery symbol (4 levels in total). When the power level is very low the indication "Batt. Low!" appears and the battery symbol flashes on the display. The batteries should then be recharged or replaced soon to continue normal operation of the radio.

Warning:

Danger of explosion if a battery is incorrectly replaced. Replace only with the same or equivalent type.
Always make sure the **Battery charger switch** is set to the correct position.
An Alkaline battery is not rechargeable. Never attempt charging Alkaline batteries.
Do not mix up different battery types.
Do not mix up charged and uncharged batteries.
Do not expose the batteries to excessive heat such as sunshine, fire or the like.
Batteries should not be disposed of by incineration and with household waste. Disposable batteries should be taken to a suitable recycling centre if possible.

IMPORTANT INFORMATION ON CHARGING AND USING RECHARGEABLE BATTERIES

1. **Recharge the batteries in any case at least every 2 months.**
2. Make sure the **Battery charger switch** next to the battery compartment is set to the "**CHARGE / NiMH ON**" position.
3. **Put the batteries in the compartment whilst paying attention to the correct polarity of the batteries (+ and -).**
4. **First use: Charge new batteries in one continuous, uninterrupted, charge until they are full.** This first charge may take longer than normal. For longer battery life it is advised to always recharge in one continuous, uninterrupted charge until batteries are full and do not recharge again whilst the batteries are still full.

5. New batteries will only reach their full capacity after some time of use (several charge – discharge cycles).
6. Leave the complete group of batteries in place inside the radio and do not use these batteries or a few of them for other purposes. This will result in a mix of (fully) charged and (partly) empty batteries. This can seriously damage the batteries and radio when recharged.
7. It is advised to only charge batteries at room temperatures between 5 degrees C – 35 degrees C. In lower or higher temperatures full charge cannot be achieved.
8. Depending on the capacity of the batteries, charging from “empty” to “full” can take several hours.
9. Do not charge batteries when the radio is hot or exposed to heat or heat sources.
10. It is advised to clean the metal contacts of the batteries and of the charger inside the radio e.g. with a contact-spray from time to time.
11. Do not use a mix of old and new rechargeable batteries.
12. Do not use a mix of rechargeable and non-rechargeable batteries.
13. Do not use a mix of full and empty rechargeable batteries.
14. Do not use batteries that have a different mAh capacity.
15. Do not use damaged, deformed or leaking batteries.
16. Battery level indication is an approximate indication only and can vary with battery type used.
17. Batteries can become hot during charging.
18. In cold conditions the capacity of batteries will be much lower than when used at normal room temperature
19. Batteries (even when supplied with the radio), as being consumables, do not fall under the warranty conditions of the radio.
20. It is advised to use PerfectPro rechargeable batteries as the radio and its charger were developed for use with these batteries.

GENERAL FUNCTIONS

1. **Switching on and off**
Press the **On/Off** button to turn the radio on or in standby.
2. **Switching among DAB / FM / Bluetooth / AUX-IN modes**
Press the **SOURCE** button to switch between modes.
3. **Tuning the Radio**
Tune the radio using the **TUNING ◀◀** and **▶▶** buttons.

4. **Adjusting the Volume**
Adjust the volume with the **VOLUME +** and **-** buttons.
5. **Adjusting the Tone**
Press the **TONE** button and adjust the Bass and Treble with the **VOLUME +** and **-** buttons.
6. **Pairing the Bluetooth with your mobile phone**
Select the device “**PP DigiTube**” in the Bluetooth setting screen of the mobile phone.
7. **Playing music from your mobile phone in Bluetooth mode**
Use the media player in the mobile phone.
8. **Playing music stored in a paired mobile phone from DigiTube in Bluetooth mode**
Press the **SELECT-INFO** button for Play/Pause, the **TUNING ◀◀** and **▶▶** buttons for Forward and Backwards control.
9. **Answering an incoming phone call from the DigiTube radio**
Press the **PHONE** button (Phone icon) to pick up and hang up the phone call.
10. **Redialing the last out going phone call in Bluetooth mode**
Press and hold the **PHONE** button (Phone icon) for more than 2 seconds.
11. **Using the AUX-IN feature**
Connect the audio output of an external audio device to the Ø3.5mm AUX-IN socket and play music from the external device.

USING THE RADIO FOR THE FIRST TIME

1. Insert batteries and place the radio on a flat surface.
2. Plug the AC/DC power adaptor into the AC socket if desired.
3. Carefully extend the antenna located at the back of the radio. Adjust the antenna so it is vertically extending above the radio.
4. The radio will start up and the display will show “WELCOME” for a few seconds. Then the radio will automatically perform an auto scan of the Band III DAB channels and the FM band. The display will show “Scanning” in DAB and “Auto” in FM.

- When the scan is completed, the 10 strongest FM stations will be stored as presets and the available DAB stations will be in the list of stations. The radio will switch to standby with the updated clock and date showing on the display.
- If no signals are found, the clock will not be updated. It may be necessary to relocate the radio to a position with better reception.

DAB MODE (DAB – DAB+)

Operating the radio – DAB

- Carefully extend the antenna. Press the **On/Off** button to switch on the radio.
- Select the **DAB** waveband by pressing the **SOURCE** button.
- The first station in the list of stations found will be played. The display will show the station name. If the radio has been used before, the last used station will be selected.
- If no DAB signals are detected, “No stations” will be displayed. It may be necessary to relocate the radio to a position with better reception. You should then carry out an auto scan to find stations, please refer to the section “**Find new stations - DAB**”.

Selecting a station – DAB

- Press the **On/Off** button to switch on the radio. The display will show “Connecting” and “Playing” for a few seconds.
 - Select the DAB waveband by pressing the **Source button**.
 - The display will show “Now tuning” for a few seconds.
 - The display shows the name of the radio station currently selected.
 - Press the **TUNING ◀◀ or ▶▶** buttons to scroll through the list of available stations.
 - When the desired station name appears on the display, press the **SELECT-INFO** button to select the station.
- Note: If after selecting a station the display shows “No stations”, it may be necessary to relocate the radio to a position with better reception.

Display modes – DAB

In DAB mode, the radio can display a range of information on the display. Press the **INFO** button to cycle through the various modes.

- | | |
|----------------------------|---|
| a. Scrolling text | Displays scrolling text message e.g. station information, artist/track name, phone-in number, etc. |
| b. Signal strength | Displays the signal strength of radio reception. The clear unfilled rectangle indicates minimum signal level required for satisfactory reception. |
| c. Program type | Displays the type of station being listened to e.g. Pop, Classic, News, etc. |
| d. Multiplex name | Displays the name of multiplex to which the current station belongs. |
| e. Channel & frequency | Displays the channel number and frequency for the currently tuned DAB station. |
| f. Bit rate & audio format | Displays the digital audio bit rate and audio format. |
| g. Time & date | Displays the current time and date. |

Finding new stations – DAB

From time to time, new stations may become available. You may proceed to find new stations as follows:

- In DAB mode, press the **MENU** button, “Full Scan” shows on the display.
- Press the **SELECT-INFO** button, the radio will perform a scan of the Band III DAB channels. As new stations are found, the station counter on the right-hand side of the display will increase and new radio stations found will be added to the list stored in the radio.

Manual Tuning – DAB

Manual tuning is an alternative method of finding new stations. Instead of scanning the entire Band III channels automatically, you may tune the radio directly to a known DAB channel and store all the multiplex in that channel into the available station list.

- In DAB mode, press the **MENU** button and the **TUNING ◀◀ or ▶▶** buttons until the LCD display shows “Manual Tune”, then press the **SELECT-INFO** button. The display will show DAB channel and Frequency.

2. Press the **TUNING ◀◀ or ▶▶** buttons to select the desired Channel or Frequency and then the **SELECT-INFO** button to tune to the chosen frequency.
3. When DAB stations in the tuned channel are found, the display will show the name of the station. Any new radio stations found will be added to the list stored in the radio.
4. The signal strength display shows the reception of the station. The clear unfilled rectangle indicates minimum signal level required for satisfactory reception. The signal strength bars will go up or down showing the changing signal strength as you adjust the antenna or the radio position.
5. Repeat step 1 to 4 for other channels with new stations.
6. Press the **MENU** button twice to exit manual tuning and return to normal DAB operation.

Dynamic Range Control (DRC) settings – DAB

DRC can make quieter sounds easier to hear when your radio is used in a noisy environment.

1. In DAB mode, press the **MENU** button and the **TUNING ◀◀ or ▶▶** buttons until the display shows “DRC Value”, then press the **SELECT-INFO** button .
2. Press the **TUNING ◀◀ or ▶▶** buttons to select required DRC setting (default is OFF).

DRC off	DRC is switched off, broadcast DRC will be ignored.
DRC high	DRC is set as sent by broadcaster.
DRC low	DRC level is set to 1/2 that sent by broadcaster.
3. Press the **SELECT-INFO** the knob to confirm the setting. The display will return to normal radio display.

Note: Not all DAB broadcasts are able to use the DRC function. If the broadcast does not support DRC, then the DRC setting in the radio will have no effect.

Prune stations – DAB

If you move to a different part of the country, some of the stations that were listed may no longer be available. Also, from time to time, some DAB services may stop broadcasting, or may change location or frequency. The Prune stations function will delete the unavailable DAB stations from your station list.

1. In DAB mode, press the **MENU** button and the **TUNING ◀◀ or ▶▶** buttons until the display shows “Prune”, then press the **SELECT-INFO** button.

2. Press the **TUNING ◀◀ or ▶▶** buttons to select between “Yes” or “No” (default is No). Select “Yes” to enable this function if required, otherwise, select “No”.
3. Press the **SELECT-INFO** button to confirm your setting. The display will return to last menu and press **MENU** to go to the normal radio display.

Note: If you have moved the radio to a different part of the country, you should also carry out a search for new stations (please see the section “Finding new stations – DAB”).

FM MODE

Operating the radio – FM seek station

1. Press the **On/Off** button to switch on the radio.
2. Select the **FM RADIO** waveband by pressing the **SOURCE** button.
3. If this is the first time to switch to FM mode, the station in preset 1 will be played. If the radio has been used before, the last listened station will be played.
4. To seek station, press the **TUNING ◀◀ or ▶▶** buttons. The scan stops automatically when it finds a station of sufficient strength.
5. After a few seconds, the display will update and show station name if RDS information is being received.
6. To find other stations, press the **TUNING ◀◀ or ▶▶** buttons again.
7. To seek station in an opposite direction, press the **TUNING ▶▶** button to scan from low frequency to high frequency or press the **TUNING ◀◀** button to scan from high frequency to low frequency.
8. When the waveband end is reached, the radio will recommence tuning from the opposite waveband end.

Manual tuning – FM

1. Press the **On/Off** button to switch on the radio.
2. Select the FM band by pressing the **SOURCE** button.
3. Press the **TUNING ◀◀ or ▶▶** buttons to reach the required FM station. The radio will change the frequency in steps of 50 kHz.
4. Adjust the rubber antenna to get the best reception. If the radio is tuned to a station of sufficient signal strength with RDS information present, the display may change to show the station name.
5. When the waveband end is reached, the radio will recommence tuning from the opposite waveband end.

RDS station service – FM

RDS (Radio Data System) is an information system which inaudible digital information is transmitted in addition to the normal FM radio program. When the radio is receiving a RDS station and the reception strength is sufficient, the station name will appear in the display. It may take some time before the RDS information is available.

Calling up RDS information

When you are listening to a FM station with RDS system, repeatedly press the SELECT-INFO button to cycle through the information. This will only function if the reception level is sufficient and clear.

- | | |
|-----------------------|---|
| a. Station name (PS) | Displays the name of station being listened to. |
| b. Radio text (RT) | Displays the message about the station being listened to as ticker text. |
| c. Program type (PTY) | Displays the type of station being listened to, e.g. Pop, Classic, News, etc. |
| d. Frequency | Displays the frequency of the station being listened to. |
| e. Signal level | Displays the signal strength. |
| f. Time & date | Displays the current time (24 hour clock) and date. |

Scan sensitivity setting – FM

The radio will normally scan all stations from FM broadcasts including the weaker signals. However, you may wish the Auto-scan to find only those stations with strong enough signals to give good reception.

1. Press the **On/Off button** to switch on the radio.
2. Select the FM band by pressing the **SOURCE** button.
3. Press the **MENU** button, the display shows “Scan”.
4. Press the **SELECT-INFO** button .
5. Press the **TUNING ◀◀ or ▶▶** buttons to select “All” or “Strong” (default is “Strong”). The “Strong” station option will allow the radio to find strong signals only when scanning.
6. Press the **SELECT-INFO** button to confirm your setting. The display will return to normal radio display.

PRESET STATIONS

Storing preset stations

There are 20 memory presets in the radio, 10 for DAB and 10 for FM. Presets are remembered by the radio in the event of a power failure.

1. Press the **On/Off** button to switch on the radio.
2. Select the desired waveband by pressing the **SOURCE** button.
3. Tune to the required station.
4. Press (for 1 sec.) the **MENU-PRESET** button until “Preset” is displayed.
5. Press the **TUNING ◀◀ or ▶▶** buttons to select the desired preset number (from P1 to P10).
6. Press (for 1 sec.) the **SELECT-INFO** button display will show “Saved” to confirm.
7. Repeat steps 3 to 6 for the remaining presets.
8. Stations stored in the preset memories can be over-written by following the above procedure.

Recalling preset stations

1. Press the **On/Off** button to switch on the radio.
2. Select the desired waveband by pressing the **SOURCE** button.
3. Press (for 1 sec.) the **MENU-PRESET** button until “Preset” is displayed. The display will show the station frequency and the preset number.
4. Press the **TUNING ◀◀ or ▶▶** buttons to select the desired preset station, then press **SELECT-INFO** to confirm.

USING BLUETOOTH

Pairing Bluetooth with your mobile phone

1. Press the **On/Off** button to switch on the radio.
2. Select Bluetooth mode by pressing the **SOURCE** button.
3. The blue **Bluetooth connected LED** on the front will be blinking when the **DigiTube** radio is not yet paired with your mobile phone.

- In your mobile phone open the Setting menu and select Bluetooth, then select “**PP- DigiTube**” in the Bluetooth devices list (Bluetooth pairing instructions may vary per type of mobile phone, please check your mobile phone manual).
- When Bluetooth pairing is successful, the **Bluetooth connected LED** will stop blinking and the LCD display will show “Bluetooth Connected”.

Playing music from your mobile phone

- Press the **On/Off** button to switch on the radio.
- Select Bluetooth mode by pressing the **SOURCE** button.
- Start playing music by using the media players in the paired mobile phone.
- Playback can be controlled from the mobile phone or by pressing the **◀◀ or ▶▶** buttons on the **DigiTube** radio. Press the **SELECT-INFO** button for Play/Pause.

Answering an incoming phone call from the DigiTube radio

The Hands-Free-Calling feature allows you to answer an incoming phone call when operating in the Bluetooth, DAB, FM or Aux mode.

- Press the **PHONE** button (**Phone icon**) on the right to pick up an incoming call.
- Speak towards the microphone (**MIC**) located under the **PHONE** button of the radio.
- Adjust the conversation volume by pressing the **VOLUME –** or **+** buttons. A lower volume setting can reduce a possible echo in the phone conversation.
- Press the **PHONE** button (**Phone icon**) again to hang up the phone call.

Note: The volume of the Ringtone will be loudest for the first 20 seconds, then it will resume to the previous used level. Pressing the **VOLUME –** or **+** buttons or the **PHONE (Phone icon)** will also resume the volume to the previous used level.

Redialing your last dialed phone number (of a paired mobile phone)

The Hands-Free-Calling feature allows you redialing your last dialed phone number on your mobile phone (Bluetooth mode only).

- Press the **On/Off** button to switch on the radio.
- Select Bluetooth mode by pressing the **SOURCE** button.

- Press and hold the **PHONE (Phone icon)** button on the right for more than 2 seconds. The last dialed phone number on your mobile phone will be redialed.
- Adjust the conversation volume by pressing the **VOLUME –** or **+** buttons if necessary.
- Press the **PHONE** button (**Phone icon**) again to hang up the phone call.

Bluetooth Options

The Bluetooth function can be set to operate in different ways as below:

- In Bluetooth mode, press the **MENU** button to enter into the System setting.
- Press the **TUNING ◀◀ or ▶▶** buttons until “Bluetooth” is displayed; then press the **SELECT-INFO** button .
- Press the **TUNING ◀◀ or ▶▶** buttons to select “BT always on”, “BT mode only” or “Disconnect BT” options, and press the **SELECT-INFO** button to select the setting.

- | | |
|------------------|--|
| a. BT always on | Bluetooth is turned on when the DigiTube radio is on. You can playback music in the Bluetooth mode and use the Hands-Free-Calling feature to answer incoming phone calls in all operation modes, for example, also when you are listening to the radio. As an indication, the blue Bluetooth connected LED will be on in all operation modes. (FM, DAB, Bluetooth and AUX IN). |
| b. BT mode only | Bluetooth is turned on only in Bluetooth mode. You can playback music and use the Hands-Free-Calling feature to answer incoming phone calls in the Bluetooth mode only. As an indication, the blue Bluetooth connected LED will be on only in the Bluetooth mode. |
| c. Disconnect BT | Bluetooth will be disconnected from your mobile phone and enter the “discoverable mode” (The blue Bluetooth connected LED will start blinking until a new pairing is established). This is to allow the Bluetooth pairing to another device. If no new device is paired, the Bluetooth will automatically try to connect to the last device when it is switched off and on again. |

The Auto-Power management function will be activated in Bluetooth mode. If there is “Not connected” for a period over 15 minutes, the unit will automatically switch to standby mode. Pressing the **On/Off** button will wake up the unit.

Bluetooth LED

The menu of the radio can be configured to Bluetooth LED.

1. Press the **On/Off** button to turn on the radio.
2. Press the **MENU** button, and then press the **Tuning ◀◀ or ▶▶** buttons until the display shows "System".
3. Press the **SELECT-INFO** button; then press the **Tuning ◀◀ or ▶▶** button until the display shows "Bluetooth LED".
4. Press the **SELECT-INFO** button to enter the Bluetooth LED adjustment menu.
5. Press the **Tuning ◀◀ or ▶▶** buttons to select "on" (by default) in order to keep Bluetooth LED lightened when connected;
6. Or Press the **Tuning ◀◀ or ▶▶** buttons to select "off" to turn off Bluetooth LED when Bluetooth connection has been established.
7. Press the **SELECT-INFO** button to confirm your choice. The Bluetooth LED will be changed upon the latest selection.

AUX-IN MODE

A 3.5mm stereo Aux-In socket is provided on the side behind the rubber cover, for connecting an external audio device such as MP3 player or CD player (Aux cable not included with this radio).

1. Connect an audio source to the **AUX-IN** socket.
2. Press the **SOURCE** button to select AUX input. Display will show "AUX IN".
3. Play the external player.
4. Adjust the **VOLUME** of both the radio and the player for comfortable listening.
5. After use, close the rubber cover to prevent moist or dust from entering into the sockets and radio.

Notes: Never use the Aux-In socket in rainy or moist conditions to prevent moist from entering the radio. Keep the rubber cover well closed under these conditions.

The Auto-Power management function will be activated in AUX mode. If there is no signal* from the Aux-In socket for a period of over 15 minutes, the **DigiTube** radio will automatically switch to standby mode. Pressing the **On/Off** button will wake up the unit.

* Also when the incoming signal from the external device is too low and cannot be detected for a period of over 15 minutes by the Auto-Power management, the **DigiTube** radio will switch to standby mode.
To prevent this raise the output level of the external device enough to be detected.

GB

MANUALLY SETTING CLOCK

The clock can only be manually set when the radio is in standby mode. If no buttons are pressed for 5 seconds, the radio will exit the clock setup and the setting is cancelled.

1. Press the **MENU** button for about 3 seconds, and the display will show "CLOCK SET".
2. Press the **SELECT-INFO** button. The hour digits flash on the display.
3. Press the **TUNING ◀◀ or ▶▶** buttons to set the hour
4. Press the **SELECT-INFO** button to confirm. The minute digits flash.
5. Press the **TUNING ◀◀ or ▶▶** buttons to set the minute.

6. Press the **SELECT-INFO** button to confirm. The day flashes.
7. Press the **TUNING ◀◀ or ▶▶** buttons to set the current day.
8. Press the **SELECT-INFO** button to confirm. The month flashes.
9. Press the **TUNING ◀◀ or ▶▶** buttons to set the current month.
10. Press the **SELECT-INFO** button to confirm. The year flashes.
11. Press the **TUNING ◀◀ or ▶▶** buttons to set the current year.
12. Press the **SELECT-INFO** button to confirm. "Synclock on" flashes.
13. Press the **TUNING ◀◀ or ▶▶** buttons to choose either "Synclock on" or "Synclock off".
14. Press the **SELECT-INFO** button to confirm. Setting finish.

RDS time synchronisation

"Synclock on" option during the time setting, the time will be automatically updated. Time synchronisation can take several minutes. The automatic time setting is always activated when the radio is switched from standby to FM broadcasting and receives a RDS station.

Press the **SELECT-INFO** button to confirm.

SETTING THE ALARM

The alarm can only be set when the radio is in standby mode. If no buttons are pressed for 5 seconds, the radio will exit the alarm setup and the setting is cancelled.

1. Press the **MENU** button for about 3 seconds, and then press the **MENU** button again until the display shows "ALARM SET".
2. Press the **SELECT-INFO** button. The hour digits flash on the display.
3. Press the **TUNING ◀◀ or ▶▶** buttons to set the hour
4. Press the **SELECT-INFO** button to confirm. The minute digits flash.
5. Press the **TUNING ◀◀ or ▶▶** buttons to set the minute.
6. Press the **SELECT-INFO** button to confirm. "ALARM SOURCE" displayed.
7. Press the **TUNING ◀◀ or ▶▶** buttons to choose among "FM RADIO", "BUZZER" and "DAB".
8. If "FM RADIO" is selected, the last listened station will be played when the alarm rings.
9. "VOL XX" displayed. Press the **TUNING ◀◀ or ▶▶** buttons to change the alarm volume.
10. Press the **SELECT-INFO** button to confirm. Setting finish.

Switching on/ off the alarm

1. To switch the alarm on, press the **SELECT-INFO** button and hold for 2 seconds. The alarm icon will be shown at the top left corner.
2. To switch the alarm off, press the **SELECT-INFO** button again and hold for 2 seconds. The alarm icon will be disappear.
3. To turn off the alarm when it buzzes, simply press the **On/Off** button.

VOLUME & SOUND

To adjust the volume, simply press the **Volume – or +** buttons when playing the DAB / FM radio / Bluetooth / AUX IN mode. The level of volume (from 00 to 40 the loudest) will be shown on the LCD Display.

Note: When playing on batteries; if the energy level of the batteries is too low, sound will distort on higher volume.

360 DEGREES SOUND

The unique Neodymium speaker located on top of the radio provides a 360 degrees sound image. Suggestion: If preferred, place the radio in a corner or close to a wall for additional sound reflection.

TONE

The **TONE** function enables the user to adjust the lower and higher sound frequencies.

1. Press the **On/Off** button to switch on the radio.
2. Press the **TONE** button, the display shows "BASS 0"
3. Press **Volume – or +** buttons to set the desire Bass level.
4. Press the **SELECT-INFO** button to confirm, then "TREBLE 0" displayed.
5. Press **Volume – or +** buttons to set the desire Treble level.
6. Press the **SELECT-INFO** button to confirm, and display returned to normal.

LANGUAGE SETTING

The menu of the radio can be configured to various languages.

1. Press the **On/Off** button to switch on the radio.
2. Press the **MENU** button, and then the **TUNING ◀◀ or ▶▶** buttons until the display shows "System".
3. Press the **SELECT-INFO** button; then the **TUNING ◀◀ or ▶▶** buttons until the display shows "Language".
4. Press the **SELECT-INFO** button; then the **TUNING ◀◀ or ▶▶** button until the desired language appears on the display (default is English).
5. Press the **SELECT-INFO** button to confirm your choice.
6. The display menu will then change to the chosen language.

SOFTWARE VERSION

The software display cannot be altered and is just for your reference. You can only view the software version in DAB and FM mode.

1. Press the **On/Off** button to switch on the radio.
2. Press the **SOURCE** button to select FM or DAB mode.
3. Press the **MENU** button, and then **TUNING ◀◀ or ▶▶** button until the display shows "System".
4. Press the **SELECT-INFO** button; then the **TUNING ◀◀ or ▶▶** button until the display shows "SW Version".
5. Press the **SELECT-INFO** button to view the software version.
6. Press the **MENU** button to return to the normal radio display.

Note: USB socket next to the battery compartment is for upgrading the software of the device if needed.

SYSTEM RESET

If the radio fails to operate correctly, or some digits on the display are missing or incomplete, carry out the following procedure.

1. Press the **On/Off** button to switch on the radio.
2. Press the **MENU** button, and then **TUNING ◀◀ or ▶▶** button until the display shows "System".
3. Press the **SELECT-INFO** button; then the **TUNING ◀◀ or ▶▶** button until the display shows "Reset".
4. Press the **SELECT-INFO** button; "Reset? <No> Yes" displayed.
5. Press the **TUNING ◀◀ or ▶▶** button to select "Yes" if you wish to reset the radio, otherwise, select "No".
6. Press the **SELECT-INFO** button to confirm your choice.
7. A full reset will be performed. All presets and the station list will be erased. All settings will be set to the default values. The radio will start up and the display will show "WELCOME" for a few seconds. Then the radio will automatically perform an auto scan of the Band III DAB channels and the FM band. The display will show "Scanning" in DAB and "Auto" in FM.
8. When the scan is completed, the 10 strongest FM stations will be stored as presets. The radio will switch to standby with the updated clock and date showing on the display.

In case of malfunction due to electrostatic discharge; reset the product as above to resume normal operation. If you are not able to perform the reset operation as above, remove and reconnect all batteries and the power supply.

KEY LOCK

The radio supports Key Lock function in all the Standby, DAB, FM, Bluetooth and Aux-in modes.

1. Pressed and hold **SOURCE button** for about 3 seconds, the LCD will display "Locked".
2. When keys are locked, the functions of the radio will be temporary disabled until it has been unlocked. During this moment, the radio would only brighten the backlight for a few seconds and showing "Locked" in display.
3. Pressed and hold the **SOURCE button** for 3 seconds again, the radio would display "Unlocked", and the key lock function will be disabled.

Noted: When the radio is in standby and powered by batteries, some of the buttons were not be able to brighten the radio's backlight in order to save energy.

BACKLIGHT

LCD backlight

The menu of the radio can be configured to LCD backlight.

1. Press the **On/Off** button to turn on the radio.
2. Press the **MENU** button, and the **Tuning ◀◀ or ▶▶** buttons until the display shows "System".
3. Press the **SELECT-INFO** button and the then **Tuning ◀◀ or ▶▶** buttons until the display shows "LCD backlight".
4. Press the **SELECT-INFO** button to enter the LCD backlight adjustment menu.
5. Press the **Tuning ◀◀ or ▶▶** buttons to select "on" in order to keep backlight always lightened when the radio is turned on with AC power supply;
6. Or Press the **Tuning ◀◀ or ▶▶** buttons to select "off" (by default) so that the backlight will be lightened for about 10 seconds whenever a button was pressed with AC power supply.
7. Press the **SELECT-INFO** button to confirm your choice. The LCD backlight will change upon the latest selection.

Note: The LCD backlight options "on" would only be functional when the radio was powered by AC power supply. In this case, when the radio was powered by battery power supply, the LCD backlight would be switched to option "off" – 10 seconds lightened when a button was pressed. When the radio was connected to mains again with AC power supplied, the last user settings would be applied again.

WARRANTY

This radio has a 2 year limited warranty.


WARNING ! Warranty becomes void once the radio cabinet has been opened or any modifications or alterations to the radio have been made !

The terms of the warranty of this radio do not cover the following:

- Damage caused by misuse, abuse, neglect, alterations, accidents or unauthorised repair.
- Normal wear and tear.
- Breaking or bending of the antenna.
- Batteries, being consumables, do not fall under the warranty conditions of the radio.

SPECIFICATIONS

Power requirements

Mains AC/DC adaptor	Input: 110-240V 50/60Hz AC~, Output: 12V DC  2A
Batteries	6 x 1,5V (Type IEC LR6 / AM3 / size AA)
Rechargeable batteries	6 x 1,2V (Type HR06 / size AA / 2500mAh NiMH rechargeable battery) Batteries of PerfectPro brand are highly recommended

Frequency coverage

FM 87.5 – 108 MHz
DAB 174,928 – 239,200 MHz

Circuit features

Loudspeaker	1 x Ø2 1/4 inch
Output power	1 x 5W
Aux In socket	Ø3.5 mm

Bluetooth

Version 4.0 Supports Bluetooth profiles A2DP, AVRCP and HFP

INFORMATION

Technical data



This device is noise-suppressed according to the applicable EU directives.
This product fulfills the European directives 2006/95/EC, 2005/32/EC and 2004/108/EC.
This device conforms to the safety regulation DIN EN 60065 (VDE 0860) and therefore the international safety regulation IEC 60065.
Never open the device casing. The manufacturer will not accept any liability for damage resulting from improper handling.
The type plate is located on the side of the device.

Environmental note



This product has been made from high-quality parts and materials, which can be reused and recycled. Therefore, do not throw the product away with normal household waste at the end of its life. Take it to a collection point for recycling electrical and electronic device. This is indicated by this symbol on the product, in the operating manual and on the packaging.
Please find out about collection points operated by your local authority. Help protect the environment by recycling used products.

TABLE DES MATIERES

TABLE DES MATIERES	1
INSTRUCTIONS DE SECURITE IMPORTANTES	2
COMMANDES	3
ALIMENTATION ELECTRIQUE	5
FONCTIONS	7
PREMIERE UTILISATION DE LA RADIO	9
MODE DAB	9
MODE FM	12
PRESELECTION DE STATIONS	14
MODE BLUETOOTH	15
MODE AUX-IN	18
REGLAGE MANUEL DE L'HEURE ET DE LA DATE	19
REGLAGE DE L'ALARME	20
VOLUME ET SON	21
REGLAGE DE LA TONALITE	21
SELECTION DE LA LANGUE	22
VERSION DU LOGICIEL	22
REINITIALISATION DU SYSTEME	23
VERROUILLAGE DES TOUCHES	23
ECLAIRAGE DE L'ECRAN	24
GARANTIE	24
INFORMATIONS	25

AVERTISSEMENT : LA GARANTIE PREND FIN LORSQUE LE BOITIER DE LA RADIO A ETE OUVERT OU LORSQUE LA RADIO A ETE MODIFIEE DE QUELQUE MANIERE QUE CE SOIT PAR L'UTILISATEUR FINAL.

INSTRUCTIONS DE SECURITE IMPORTANTES

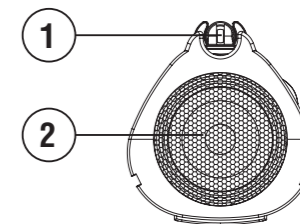
1. Lisez attentivement et complètement le mode d'emploi de la radio.
2. Conservez soigneusement ce mode d'emploi.
3. Tenez compte de tous les avertissements.
4. Suivez toutes les instructions.
5. Nettoyez la radio exclusivement avec un linge propre et sec.
6. N'obstruez pas les ouvertures d'aération. Installez la radio conformément aux instructions.
7. N'installez pas la radio à proximité de sources de chaleur (radiateurs de chauffage, grilles d'aération, fours et autres appareils (amplificateurs compris) qui génèrent de la chaleur.
8. Utilisez exclusivement les pièces et accessoires prévus par le fabricant.
9. Utilisez la radio exclusivement sur un support mobile, un présentoir, un trépied, un support mural ou une table recommandé par le fabricant ou vendu avec la radio. Lors de l'utilisation d'un support mobile, soyez prudent en déplaçant l'ensemble support/radio, de façon à éviter de vous blesser en cas de chute de la radio.
10. Retirez la fiche du cordon d'alimentation de la radio de la prise de courant pendant un orage ou lorsque la radio n'est pas utilisée pendant un certain temps.
11. Confiez toute réparation ou tout entretien à un personnel qualifié. Une réparation ou un entretien est nécessaire lorsque la radio, le cordon d'alimentation ou la fiche a été endommagé, lorsqu'un liquide a été renversé sur la radio et a pénétré dans celle-ci, lorsque des objets sont tombés sur la radio et ont pénétré dans celle-ci, lorsque la radio a été exposée à la pluie ou à l'humidité, lorsque la radio ne fonctionne pas normalement ou lorsque la radio est tombée d'une certaine hauteur.
12. Afin d'éviter tout risque d'électrocution, n'exposez pas la radio à la pluie et à l'humidité.
13. Ne tentez jamais de démonter la radio. Celle-ci ne comporte aucun élément qui soit réparable par l'utilisateur.
14. Ne posez jamais sur la radio des objets dégagant de la chaleur ou présentant une flamme nue.
15. Lors d'une utilisation à l'air libre par temps humide ou pluvieux, faites fonctionner la radio sur piles afin d'éviter tout risque d'électrocution. Afin de prévenir le risque d'électrocution lorsque la radio a été exposée à l'eau ou à la pluie, le cordon d'alimentation ainsi que la fiche doivent être complètement séchés avant d'insérer la fiche du cordon d'alimentation de la radio dans une prise de courant.
16. La prise de courant doit être proche de la radio et rester toujours accessible, de sorte que seule la fiche du cordon de la radio doit être retirée de la prise de courant en cas d'urgence.
17. Les informations légales concernant la radio se trouvent sur le côté de celle-ci.
18. Cette radio est protégée contre la poussière et les projections d'eau (IP45).
19. En cas de perturbations provoquées par une décharge électrostatique, l'adaptateur AC/DC doit être retiré un bref instant de la prise de courant secteur.
20. Utilisez exclusivement l'adaptateur AC/DC fourni avec la radio :
Modèle ATL : DCL25AF-120200 Entrée : AC 110-240V 50/60Hz Sortie : 12V DC 2A



COMMANDES

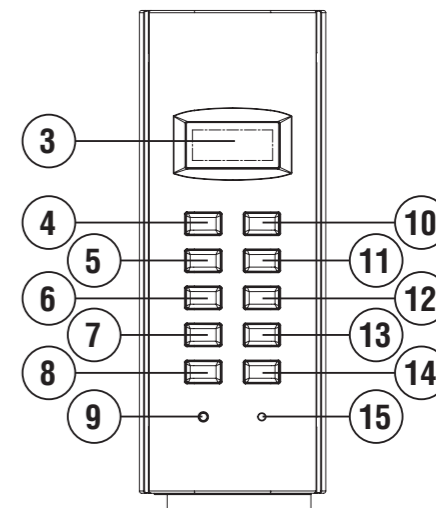
Face supérieure

1. Antenne
2. Haut-parleur



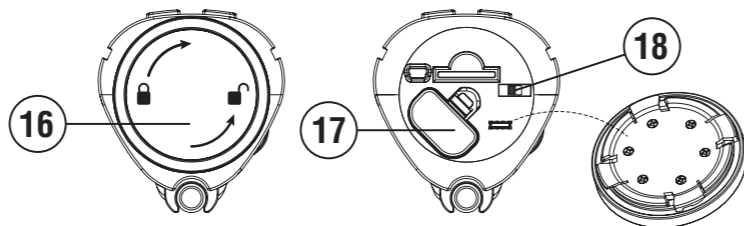
Face avant

3. Ecran d'affichage LCD
4. Touche de diminution du Volume (-)
5. Touche Tuning Bas (◀◀)
6. Touche de Menu-Preset
7. Touche de Tonalité
8. Touche ON/OFF (standby/veille)
9. LED Bluetooth connecté
10. Touche d'augmentation du Volume (+)
11. Touche Tuning Haut (▶▶)
12. Touche Select/Info
13. Touche de sélection de la source audio (Source)
14. Touche Téléphone
15. Microphone



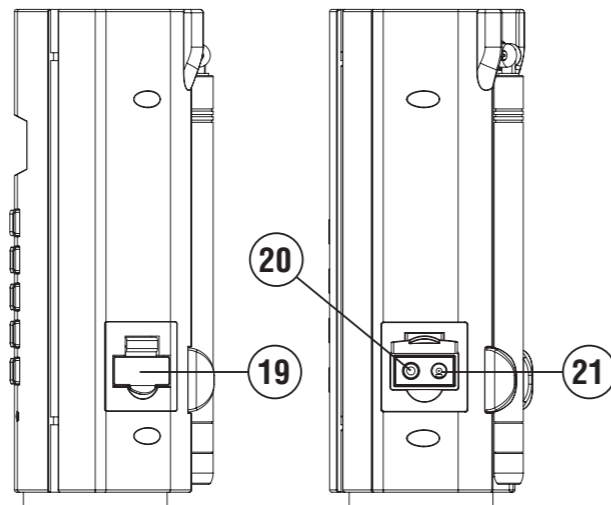
Face inférieure

- 16. Pied en caoutchouc
- 17. Couvercle du logement des piles
- 18. Interrupteur de sélection du type de piles



Côtés

- 19. Coiffe en caoutchouc
- 20. Entrée Aux-In
- 21. Entrée adaptateur AC/DC



ALIMENTATION ELECTRIQUE

Utilisation sur courant secteur

1. Avant d'insérer l'adaptateur AC/DC dans une prise de courant secteur, assurez-vous que la tension du courant secteur soit correcte et que l'**interrupteur de sélection du type de piles** se trouve dans la bonne position : **ALKALINE OFF** en l'absence de piles ou lorsque vous utilisez des piles alcalines / **NiMH ON** lorsque vous utilisez des piles NiMH.
2. Lorsque vous utilisez des piles alcalines et lorsque l'**interrupteur de sélection du type de piles** se trouve positionné sur **ALKALINE OFF**, les piles seront déconnectées automatiquement lorsque la radio est utilisée sur courant secteur.
3. Lorsque vous utilisez des piles NiMH et lorsque l'**interrupteur de sélection du type de piles** se trouve positionné sur **NiMH ON**, les piles seront rechargées automatiquement lorsque la radio est utilisée sur courant secteur.
4. N'utilisez jamais l'adaptateur AC/DC sous la pluie ou dans un environnement humide, de façon à éviter un court-circuit ou la pénétration d'humidité dans la radio. Utilisez dans ce cas la radio uniquement avec des piles et conservez la coiffe en caoutchouc soigneusement fermée.

Remarque : Afin de déconnecter la radio du courant secteur, l'adaptateur AC/DC doit être retiré entièrement de la prise de courant secteur. L'adaptateur AC/DC et le cordon d'alimentation doivent rester accessibles à tout moment. En cas de perturbations provoquées par une décharge électrostatique, l'adaptateur AC/DC doit être retiré un bref instant de la prise de courant secteur.

Utilisation sur piles

1. Pour ouvrir le logement des piles, enlevez d'abord le pied en caoutchouc situé à la base de la radio. Tournez à cet effet le pied en caoutchouc dans le sens inverse des aiguilles d'une montre.
2. Desserrez ensuite la vis du couvercle du logement des piles à l'aide d'un tournevis et ouvrez le couvercle.
3. Insérez 6 piles (format AM3/AA/LR6) NiMH ou alcalines dans le logement en respectant la polarité (+) et (-). Refermez ensuite le couvercle du logement et resserrez la vis du couvercle.
4. Lorsque vous utilisez des piles NiMH rechargeables, positionnez l'interrupteur de sélection du type de piles sur NiMH ON. La radio rechargera automatiquement les piles lorsqu'elle est utilisée sur courant secteur. En cours de charge des piles, l'icône "Piles" clignotera à l'écran d'affichage LCD.
5. Lorsque vous utilisez des piles alcalines, positionnez l'interrupteur de sélection du type de piles sur Alkaline OFF. Les piles alcalines ne sont pas rechargeables.

6. Remontez le pied en caoutchouc de façon à éviter la pénétration d'humidité ou de poussière dans la radio. Tournez à cet effet le pied en caoutchouc dans le sens des aiguilles d'une montre.
7. Lorsque la radio n'est pas utilisée pendant un certain temps, il est recommandé de retirer les piles de la radio.

La capacité approximative des piles est affichée à l'écran LCD de la radio au moyen d'une icône "Piles" (4 niveaux). Lorsque la capacité des piles est très faible, le message "Battery low!" apparaîtra à l'écran et l'icône "Piles" représente une pile vide. Les piles doivent dans ce cas être remplacées ou rechargées sans tarder, de façon à garantir le fonctionnement normal de la radio.

Avertissement :

Il existe un risque d'explosion lorsque les piles ne sont pas remplacées correctement. Remplacez celles-ci exclusivement par des piles de type identique ou équivalent.

Assurez-vous que l'**interrupteur de sélection du type de piles** se trouve dans la bonne position.

Une pile alcaline n'est pas rechargeable. Ne tentez jamais de recharger des piles alcalines.

Ne mélangez jamais différents types de piles.

Ne mélangez jamais des piles chargées et des piles déchargées.

Évitez d'exposer les piles à des chaleurs excessives (soleil, feu ou source de chaleur similaire).

Les piles ne peuvent jamais être détruites par incinération ni éliminées avec les ordures ménagères. Les piles usagées doivent être confiées à un centre de recyclage agréé.

INFORMATIONS IMPORTANTES CONCERNANT LA RECHARGE ET L'UTILISATION DE PILES RECHARGEABLES

1. **Rechargez les piles au moins tous les deux mois.**
2. Assurez-vous que l'**interrupteur de sélection du type de piles** se trouve positionné sur "NiMH ON".
3. **Installez les piles dans le logement des piles en respectant la polarité (+ et -).**
4. **Première utilisation : Rechargez les piles neuves en un seul cycle de charge ininterrompu jusqu'à ce qu'elles soient complètement rechargées.** Ce premier cycle de charge prendra plus de temps qu'un cycle de charge normal. Afin d'augmenter la durée de vie des piles, il est préférable de toujours recharger celles-ci en un seul cycle de charge ininterrompu jusqu'à ce qu'elles soient complètement rechargées. Évitez de recharger les piles lorsque leur charge est encore suffisante.
5. Des piles neuves atteindront leur pleine capacité seulement après un nombre de cycles d'utilisation (décharge-recharge).

6. Lors d'une utilisation fréquente de la radio, laissez le groupe de piles complet dans la radio. N'utilisez pas les piles à d'autres fins. N'enlevez jamais quelques piles de la radio en vue de les utiliser à d'autres fins. Il en résultera inévitablement un mélange de piles (complètement) rechargées et de piles (partiellement) déchargées.
7. Rechargez les piles à une température ambiante entre 5°C et 35°C. Une température ambiante supérieure ou inférieure ne permet pas de recharger complètement les piles.
8. Étant donné la capacité élevée des piles fournies, le cycle de charge complet (piles vides -> piles pleines) de celles-ci peut prendre plusieurs heures.
9. Ne rechargez pas les piles lorsque la radio est chaude ou exposée à la chaleur ou à une source de chaleur.
10. Il est conseillé de nettoyer de temps à autre les contacts métalliques des piles et du chargeur dans la radio au moyen d'un spray spécial pour composants électroniques.
11. N'utilisez jamais un mélange d'anciennes piles rechargeables et de piles rechargeables neuves.
12. N'utilisez jamais un mélange de piles rechargeables et de piles non rechargeables.
13. N'utilisez jamais un mélange de piles rechargeables déchargées et de piles rechargeables complètement rechargées.
14. N'utilisez jamais un mélange de piles présentant des capacités mAh différentes.
15. N'utilisez jamais des piles endommagées, déformées ou présentant des fuites.
16. La capacité approximative des piles est affichée à l'écran LCD de la radio au moyen d'une icône "Pile". Celle-ci est susceptible de varier en fonction du type de piles dans la radio.
17. Les piles sont susceptibles de devenir chaudes en cours de recharge.
18. Par temps froid, la capacité des piles sera inférieure à la capacité de celles-ci à température ambiante normale.
19. Étant donné que les piles sont des consommables, celles-ci ne sont pas couvertes par la garantie de la radio.
20. Il est conseillé d'utiliser des piles rechargeables PerfectPro, étant donné que la radio et le chargeur interne sont conçus pour être utilisés avec celles-ci.

FONCTIONS

1. **Allumage et extinction de la radio**
Appuyez sur la **touche ON/OFF** pour allumer la radio ou remettre celle-ci en mode Standby (Veille).
2. **Sélection du mode DAB / FM / Bluetooth ou AUX-IN**
Appuyez sur la **touche Source** (touche de sélection de la source audio) pour passer d'un mode à l'autre.

- Réglage de la radio sur la station souhaitée**
Appuyez sur les touches **TUNING** (◀▶ et ▶▶).
- Réglage du volume**
Appuyez sur les touches **VOLUME** (+ et -).
- Réglage de la tonalité**
Appuyez sur la touche **TONE** et régler les basses et les aigues au moyen des touches **VOLUME** (+ et -).
- Connexion de la radio à votre téléphone portable via Bluetooth**
Sélectionnez la radio "**PP DigiTube**" dans le menu Bluetooth de votre téléphone portable.
- Ecoute de musique à partir de votre téléphone portable en mode Bluetooth**
Utilisez les lecteurs de média de votre téléphone portable.
- Ecoute de musique à partir d'un téléphone portable connecté à la radio DigiTube en mode Bluetooth**
Appuyez sur la touche **Select/Info** pour écouter de la musique ou effectuer une pause. Appuyez sur les touches **TUNING** (◀▶ et ▶▶) pour sélectionner le morceau précédent ou le morceau suivant.
- Répondre à un appel téléphonique à partir de la radio DigiTube**
Appuyez sur la touche **Téléphone (icône téléphone)** pour décrocher et raccrocher.
- Rappel du dernier numéro de téléphone appelé en mode Bluetooth**
Appuyez pendant plus de 2 secondes sur la touche **Téléphone (icône téléphone)**.
- Utilisation de la fonction AUX-IN**
Raccordez le lecteur externe à l'entrée AUX-IN de Ø3.5 mm et démarrez le lecteur externe.

PREMIERE UTILISATION DE LA RADIO

- Posez la radio sur une surface stable et plane.
- Raccordez le fil de l'adaptateur AC/DC à la radio et insérez celui-ci dans une prise de courant secteur.
- Relevez l'antenne située à l'arrière de la radio. Orientez l'antenne verticalement par rapport à la radio.
- Le message "WELCOME" (BIENVENUE) apparaîtra à l'écran pendant quelques secondes. La radio effectuera ensuite automatiquement un balayage de la bande de fréquences DAB III et de la bande FM. "Scanning" sera affiché à l'écran pour la bande de fréquences DAB et "Auto" sera affiché à l'écran pour la bande de fréquences FM.
- Les 10 stations FM offrant le meilleur signal de réception seront alors mises dans la mémoire de stations présélectionnées et les 10 stations DAB disponibles seront placées dans la liste de stations DAB. Après ce premier balayage, la radio se mettra en mode Standby (Veille) et l'heure et la date actualisées seront ensuite affichées à l'écran.
- En l'absence de réception d'un signal radio, l'heure et la date ne seront pas actualisées. Il peut alors être nécessaire de placer la radio dans un autre endroit offrant une meilleure réception radio.

MODE DAB (DAB – DAB+)

Utilisation de la radio en mode DAB

- Relevez l'antenne située à l'arrière de la radio. Orientez l'antenne verticalement par rapport à la radio. Appuyez sur la touche **ON/OFF** pour allumer la radio.
- Appuyez sur la touche **Source** (touche de sélection de la source audio) pour sélectionner le mode DAB.
- La première station DAB (dans l'ordre alphanumérique 0...9, A...Z) de la liste de stations DAB sera alors audible et le nom de la station DAB sera affiché à l'écran. Si la radio a déjà été utilisée, la dernière station DAB sélectionnée sera dans ce cas audible.
- Lorsqu'aucun signal radio n'a été trouvé, le message "No stations available" (Aucune station disponible) sera affiché à l'écran. Il peut être nécessaire dans ce cas de placer la radio dans un autre endroit offrant une meilleure réception radio. Vous pouvez ensuite effectuer un Auto Scan pour rechercher des stations DAB. Voir le point "**Recherche de nouvelles stations en mode DAB**".

Sélection d'une station en mode DAB

- Appuyez sur la touche **ON/OFF** pour allumer la radio.

- Appuyez sur la **touche Source** (touche de sélection de la source audio) pour sélectionner le mode DAB.
- Le message “Now tuning” (Syntonisation en cours) apparaîtra pendant quelques secondes à l’écran.
- Le nom de la station DAB trouvée sera ensuite affiché à l’écran.
- Appuyez sur les **touches TUNING** (◀◀ et ▶▶) pour parcourir la liste des stations DAB disponibles.
- Lorsque le nom de la station DAB souhaitée apparaît à l’écran, appuyez sur la **touche Select/Info** pour sélectionner la station DAB en question.

Lorsque le message “No stations available” (Aucune station disponible) apparaît à l’écran après avoir sélectionné une station DAB, il peut être nécessaire dans ce cas de placer la radio dans un autre endroit offrant une meilleure réception radio.

Affichage en mode DAB

En mode DAB, la radio est capable d’afficher diverses informations.

- Appuyez sur la **touche Select/Info** pour parcourir les différentes informations disponibles.
 - Texte défilant Affiche des messages de la station DAB que vous écoutez, sous la forme d’un texte défilant.
 - Force du signal Affiche la force du signal de réception de la station DAB que vous écoutez. **Le bloc ouvert indique le niveau minimum du signal nécessaire pour obtenir une bonne réception.**
 - Type de programme Affiche le type de programme que vous écoutez, par exemple Pop, Classique, Actualités, etc.
 - Nom du multiplex Affiche le nom du multiplex auquel la station DAB appartient.
 - Canal et fréquence Affiche le numéro et la fréquence de la station DAB que vous écoutez.
 - Débit binaire et type audio Affiche le débit binaire et le format audio de l’émission.
 - Heure et date Affiche l’heure exacte et la date.

Recherche automatique de nouvelles stations en mode DAB

De temps à autre, il se peut que de nouvelles stations DAB soient disponibles. Pour trouver celles-ci :

- En mode DAB, appuyez sur la **touche Menu**. “Full scan” (Balayage complet) sera ensuite affiché à l’écran.
- Appuyez sur la **touche Select/Info**. La radio effectuera alors un balayage complet des fréquences de la DAB Bande III. Lorsque la radio trouve de nouvelles stations DAB, celles-ci seront ajoutées à la liste des stations DAB disponibles.

Recherche manuelle de stations en mode DAB

Une recherche manuelle vous offre la possibilité de sélectionner directement des stations dans la DAB Bande III.

- En mode DAB, appuyez sur la **touche Menu** et les **touches TUNING** (◀◀ ou ▶▶) jusqu’à ce que “Manual tuning” (Syntonisation manuelle) soit affiché à l’écran. Appuyez ensuite sur la **touche Select/Info**. Le canal DAB et les fréquences correspondantes seront alors affichés à l’écran.
- Appuyez sur les **touches TUNING** (◀◀ ou ▶▶) pour sélectionner la fréquence DAB souhaitée. Appuyez ensuite sur la **touche Select/Info** pour confirmer votre sélection.
- Lorsque la radio capte un signal DAB, le nom de la station DAB sera affiché à l’écran.
- L’affichage de la force du signal indique le niveau du signal capté par la radio. Le bloc ouvert indique le niveau minimum du signal nécessaire pour obtenir une bonne réception. L’affichage de la force du signal change lorsque vous changez la position de l’antenne et/ou de la radio.
- Répétez les points 1 à 4 ci-dessus pour sélectionner d’autres canaux et les fréquences DAB souhaitées.
- Appuyez deux fois sur la **touche Menu** pour revenir au menu DAB standard.

Réglages Dynamic Range Control (DRC) en mode DAB

La fonction DRC permet de rendre des sons doux plus audibles lorsque la radio est utilisée dans un environnement ou un endroit particulièrement bruyant.

- En mode DAB, appuyez sur la **touche Menu** et les **touches TUNING** (◀◀ ou ▶▶) jusqu’à ce que “DRC value” (Valeur DRC) soit affiché à l’écran. Appuyez ensuite sur la **touche Select/Info**.
- Appuyez sur les **touches TUNING** (◀◀ ou ▶▶) pour sélectionner le réglage DRC souhaité (normalement, la fonction DRC est désactivée).

DRC off	fonction DRC désactivée. Le signal DRC émis sera ignoré.
DRC high	niveau DRC réglé à 100 % du niveau émis.
DRC low	niveau DRC réglé à 50 % du niveau émis.
- Appuyez sur la **touche Select/Info** pour confirmer votre sélection et revenir au menu DAB standard.

Remarque : Toutes les stations DAB n’utilisent pas la fonction DRC. Lorsqu’une station DAB n’émet aucune information DRC, les réglages DRC n’auront aucun effet sur la radio.

Suppression de stations (Fonction "Prune") en mode DAB

Lorsque vous vous rendez dans une autre région ou dans un autre pays, il se peut que certaines stations DAB ne soient plus disponibles. Il se peut également que certaines stations DAB arrêtent d'émettre ou changent de fréquence. La fonction "Prune" (Suppression) permet de supprimer de la liste des stations DAB, les stations DAB qui ne sont plus disponibles.

1. En mode DAB, appuyez sur la **touche Menu** et les **touches TUNING** (◀◀ ou ▶▶) jusqu'à ce que "Prune" (Suppression) soit affiché à l'écran. Appuyez ensuite sur la **touche Select/Info**.
2. Appuyez sur les **touches TUNING** (◀◀ ou ▶▶) pour sélectionner "Yes" ("Oui") ou "No" ("Non") (Le réglage standard est Non).
3. Appuyez sur la **touche Select/Info** pour confirmer votre sélection. Le menu précédent sera ensuite affiché. Appuyez sur la **touche Menu** pour revenir au menu DAB standard.

Remarque : Lorsque vous vous rendez dans une autre région ou dans un autre pays, il est conseillé d'effectuer une recherche des nouvelles stations DAB disponibles. Voir à cet effet le point "Recherche de nouvelles stations en mode DAB".

MODE FM

Utilisation de la radio en mode FM

Recherche automatique de stations en mode FM

1. Appuyez sur la **touche ON/OFF** pour allumer la radio.
2. Appuyez sur la **touche Source** (touche de sélection de la source audio) pour sélectionner le mode FM.
3. Lors de la première utilisation de la radio, la station FM dans la mémoire de présélection 1 sera sélectionnée. Si la radio a déjà été utilisée dans le passé, la dernière station FM écoutée sera dans ce cas sélectionnée.
4. Pour rechercher une station FM, appuyez sur les **touches TUNING** (◀◀ ou ▶▶). La radio lancera alors la recherche et s'arrêtera automatiquement lorsqu'elle trouve une station FM offrant une bonne réception.
5. Après quelques secondes, le nom de la station FM sera affiché à l'écran si des informations RDS sont disponibles et reçues par la radio.
6. Pour rechercher d'autres stations FM, appuyez de nouveau sur les **touches TUNING** (◀◀ ou ▶▶).
7. Pour rechercher des stations FM dans le sens opposé, appuyez sur la **touche TUNING ▶▶** (pour rechercher des stations FM depuis les basses fréquences vers les hautes fréquences) ou sur la **touche TUNING ◀◀** (pour rechercher des stations FM depuis les hautes fréquences vers les basses fréquences).

8. Lorsque la fin de la plage de fréquences FM est atteinte, la radio recommencera la recherche depuis l'autre extrémité de la plage de fréquences FM.

Recherche manuelle de stations en mode FM

1. Appuyez sur la **touche ON/OFF** pour allumer la radio.
2. Appuyez sur la **touche Source** (touche de sélection de la source audio) pour sélectionner le mode FM.
3. Appuyez brièvement sur les **touches TUNING** (◀◀ ou ▶▶) pour atteindre la fréquence ou la station FM souhaitée. La fréquence changera par incréments de 50 kHz.
4. Orientez éventuellement l'antenne pour obtenir une meilleure réception. Après quelques secondes, le nom de la station FM sera affiché à l'écran si des informations RDS sont disponibles et reçues par la radio.
5. Lorsque la fin de la plage de fréquences FM est atteinte, la radio recommencera la recherche depuis l'autre extrémité de la plage de fréquences FM.

Système d'informations RDS en mode FM

Le RDS (Radio Data System) est un système d'informations par lequel des informations numériques non audibles sont transmises en plus du programme radio FM normal. Lorsque la radio capte une station RDS et que la réception est suffisamment bonne, le nom de la station FM apparaîtra à l'écran LCD. Un certain temps peut s'écouler avant que les informations RDS soient disponibles.

Activation du système d'informations RDS

Lorsque vous écoutez une station FM comportant le système RDS, appuyez plusieurs fois sur la **touche Select/Info** pour parcourir les informations RDS disponibles. Ceci fonctionne uniquement lorsque la réception est suffisamment bonne et claire.

- | | |
|----------------------------|---|
| a. Service Programme (PS) | Affiche le nom de la station FM que vous écoutez. |
| b. Radio Texte (RT) | Affiche des messages de la station FM que vous écoutez, sous la forme d'un texte défilant. |
| c. Type de Programme (PTY) | Affiche le type de station FM que vous écoutez. Exemples : Pop, Classique, Actualités, etc. |
| d. Fréquence | Affiche la fréquence de la station FM que vous écoutez. |
| e. Force du Signal (SGLV) | Affiche la force du signal de réception de la station FM que vous écoutez. |
| f. Heure et Date | Affiche l'heure exacte (horloge 24 heures) et la date. |

Réglage de la sensibilité de balayage en mode FM

La radio effectue normalement un balayage de toutes les stations FM, y compris celles dont le signal est faible. Il vous est toutefois possible de régler la fonction de balayage de telle sorte que seules les stations FM dont le signal est fort assez pour offrir une bonne réception, soient captées.

1. Appuyez sur la **touche ON/OFF** pour allumer la radio.
2. Appuyez sur la **touche Source** (touche de sélection de la source audio) pour sélectionner le mode FM.
3. Appuyez sur la **touche Menu**. “Scan” (Réglage de la sensibilité de balayage) sera ensuite affiché à l’écran.
4. Appuyez sur la **touche Select/Info**.
5. Appuyez sur les **touches TUNING** (◀◀ ou ▶▶) pour sélectionner “All” (Toutes les stations) ou “Strong” (Stations au signal fort). Le réglage standard est “Strong” (Stations au signal fort). Lorsque l’option “Strong” (Stations au signal fort) a été sélectionnée, la radio captera, lors du balayage des stations FM, uniquement les stations FM dont le signal est fort.
6. Appuyez sur la **touche Select/Info** pour confirmer le réglage.

PRESELECTION DE STATIONS

Mémoire de stations présélectionnées

La radio possède 20 emplacements de mémoire de stations présélectionnées, 10 pour la FM et 10 pour la DAB. Les stations présélectionnées seront conservées dans la mémoire de la radio même en cas de coupure de courant.

1. Appuyez sur la **touche ON/OFF** pour allumer la radio.
2. Appuyez sur la **touche Source** (touche de sélection de la source audio) pour sélectionner le mode FM ou DAB.
3. Sélectionnez la station souhaitée.
4. Appuyez (1 sec.) sur la **touche Menu-Preset** jusqu’à ce que “Preset” (“Présélection”) soit affiché à l’écran.
5. Appuyez sur les **touches TUNING** (◀◀ ou ▶▶) pour sélectionner l’emplacement dans la mémoire de stations présélectionnées (de P1 jusqu’à P10).
6. Appuyez (1 sec.) ensuite sur la **touche Select/Info** pour confirmer l’emplacement dans la mémoire. “Saved” (Station mémorisée) sera ensuite affiché à l’écran.
7. Répétez les points ci-dessus pour les autres présélections.
8. Les stations présélectionnées et mémorisées peuvent être écrasées en répétant les points ci-dessus.

Rappel de stations présélectionnées

1. Appuyez sur la **touche ON/OFF** pour allumer la radio.
2. Appuyez sur la **touche Source** (touche de sélection de la source audio) pour sélectionner le mode FM ou DAB.
3. Appuyez (1 sec.) sur la **touche Menu-Preset** jusqu’à ce que “Preset” (“Présélection”) soit affiché à l’écran. Le numéro de la présélection et la fréquence de la station seront ensuite affichés à l’écran.
4. Appuyez sur les **touches TUNING** (◀◀ ou ▶▶) pour sélectionner la station souhaitée. Appuyez ensuite sur la touche Select/Info pour confirmer votre choix.

MODE BLUETOOTH

Connexion Bluetooth avec votre téléphone portable

1. Appuyez sur la **touche ON/OFF** pour allumer la radio.
2. Appuyez sur la **touche Source** (touche de sélection de la source audio) pour sélectionner le mode Bluetooth.
3. La **LED bleue Bluetooth connecté** clignotera si la radio et votre téléphone portable ne sont pas encore connectés.
4. Appelez le menu Bluetooth sur votre téléphone portable et sélectionnez “**PP DigiTube**” dans la liste des appareils Bluetooth (ces instructions de connexion peuvent varier en fonction du modèle de votre téléphone portable. Pour plus de détails, veuillez consulter le mode d’emploi de votre téléphone portable).
5. Dès que votre téléphone portable parvient à établir une connexion avec la radio DigiTube, la **LED bleue Bluetooth connecté** s’arrêtera de clignoter et “Bluetooth Connected” (Bluetooth Connecté) sera affiché à l’écran.

Ecoute de musique à partir de votre téléphone portable

1. Appuyez sur la **touche ON/OFF** pour allumer la radio.
2. Appuyez sur la **touche Source** (touche de sélection de la source audio) pour sélectionner le mode Bluetooth.
3. Ecoutez la musique souhaitée à partir des lecteurs de média de votre téléphone portable.
4. Utilisez les touches de votre téléphone portable ou les **touches** ◀◀ ou ▶▶ de la radio DigiTube pour commander les différentes fonctions d’écoute de vos morceaux préférés. Appuyez sur la **touche Select/Info** pour é couter de la musique ou effectuer une pause.

Répondre à un appel téléphonique à partir de la radio DigiTube

La fonction Téléphone Mains Libres vous permet de répondre à des appels téléphoniques lorsque la radio se trouve en mode Bluetooth, DAB, FM ou AUX-IN.

1. Appuyez sur la **touche Téléphone (Icône Téléphone)** pour répondre à un appel téléphonique.
2. Parlez en direction du microphone (**MIC**) qui se trouve juste au-dessous de la **touche Téléphone (Icône Téléphone)**.
3. Appuyez sur les **touches VOLUME** (– ou +) pour régler le volume. Un faible volume permet de réduire un écho éventuel en cours de conversation.
4. Appuyez de nouveau sur la touche Téléphone (Icône Téléphone) pour raccrocher.

Remarque : Le volume de la sonnerie sera à son niveau maximum les 20 premières secondes et diminuera ensuite au niveau de volume utilisé précédemment. Pour ramener le volume au niveau utilisé précédemment, appuyez sur la **touche Téléphone (Icône Téléphone)** ou sur les **touches VOLUME** (– ou +).

Rappel du dernier numéro de téléphone appelé (avec votre téléphone portable connecté)

La fonction Téléphone Mains Libres vous permet de rappeler le dernier numéro de téléphone appelé avec votre téléphone portable (uniquement en mode Bluetooth).

1. Appuyez sur la **touche ON/OFF** pour allumer la radio.
2. Appuyez sur la **touche Source** (touche de sélection de la source audio) pour sélectionner le mode Bluetooth.
3. Appuyez sur la **touche Téléphone (Icône Téléphone)** pendant plus de 2 secondes. Le dernier numéro de téléphone appelé avec votre téléphone portable sera alors rappelé.
4. Appuyez sur les **touches VOLUME** (– ou +) pour régler le volume.
5. Appuyez de nouveau sur la **touche Téléphone (Icône Téléphone)** pour raccrocher.

Réglages Bluetooth

La fonction Bluetooth peut être réglée de différentes façons :

1. En mode Bluetooth, appuyez sur la **touche MENU** pour accéder aux réglages Bluetooth.

2. Appuyez sur les **touches TUNING** (◀◀ ou ▶▶) jusqu'à ce que "Bluetooth" soit affiché à l'écran. Appuyez ensuite sur la **touche Select/Info**.
3. Appuyez sur les **touches TUNING** (◀◀ ou ▶▶) pour sélectionner "BT always on" (BT toujours connecté), "BT modus only" (Mode BT uniquement) ou "Disconnect BT" (BT déconnecté). Appuyez ensuite sur la **touche Select/Info** pour confirmer votre sélection.

- | | |
|-------------------------|--|
| a. BT toujours connecté | Bluetooth est connecté automatiquement lorsque la radio DigiTube est allumée. Vous pouvez écouter de la musique en mode Bluetooth et utiliser la fonction Téléphone Mains Libres pour répondre à des appels téléphoniques dans tous les modes, par exemple également lorsque vous écoutez la radio. La LED bleue Bluetooth connecté sera dans ce cas allumée dans tous les modes (FM, DAB, Bluetooth et AUX-IN). |
| b. Mode BT uniquement | Bluetooth est connecté uniquement en mode Bluetooth. Vous pouvez écouter de la musique et répondre à des appels téléphoniques uniquement lorsque la radio est en mode Bluetooth. La LED bleue Bluetooth connecté sera dans ce cas allumée uniquement en mode Bluetooth. |
| c. BT déconnecté | La connexion Bluetooth avec votre téléphone portable est directement interrompue. Dans ce cas, la LED bleue Bluetooth connecté clignotera jusqu'à ce qu'une nouvelle connexion soit établie. La radio recherchera alors un nouvel appareil en vue d'établir une connexion. Lorsqu'aucune nouvelle connexion n'est établie, la radio tentera automatiquement d'établir une connexion avec le dernier appareil lorsque la radio est éteinte et rallumée. |

La fonction de gestion automatique de l'alimentation sera activée en mode Bluetooth. En l'absence de signal d'entrée via la connexion Bluetooth pendant plus de 15 minutes, la radio DigiTube se mettra automatiquement en mode standby (veille). Pour rallumer la radio, appuyez sur la touche ON/OFF.

Bluetooth LED configuration

1. Appuyez sur la **touche ON/OFF** pour allumer la radio.
2. Appuyez sur la **touche Menu** et ensuite sur les **touches Tuning** (◀◀ ou ▶▶) jusqu'à ce que « System » soit affiché à l'écran.
3. Appuyez sur la **touche Select/Info** et ensuite sur les **touches Tuning** (◀◀ ou ▶▶) jusqu'à ce que « Bluetooth LED » soit affiché à l'écran.
4. Appuyez sur la **touche Select/Info** pour entrer dans le menu de réglage de la LED Bluetooth.
5. Appuyez sur les **touches Tuning** (◀◀ ou ▶▶) pour sélectionner « on » (par défaut) afin de garder la LED Bluetooth allumée lorsque votre appareil mobile est connecté;
6. Ou Appuyez sur les **touches Tuning** (◀◀ ou ▶▶) pour sélectionner « off » afin d'éteindre la LED Bluetooth lorsque la connexion Bluetooth a été établie.
7. Appuyez sur la **touche Select/Info** pour confirmer votre choix.

MODE AUX-IN

Une prise **Aux-In** de 3,5 mm est prévue sur le côté de la radio, derrière la coiffe en caoutchouc, et permet d'y brancher un appareil audio externe tel que lecteur MP3 ou lecteur de CD (non fourni avec la radio).

1. Raccordez un lecteur externe à la **prise Aux-In**.
2. Appuyez sur la **touche Source** (touche de sélection de la source audio) pour sélectionner le mode AUX-IN. "AUX IN" sera alors affiché à l'écran.
3. Allumez et démarrez le lecteur externe.
4. Réglez le volume de la radio et du lecteur externe au niveau d'écoute souhaité.

Remarque : N'utilisez jamais la prise AUX-IN sous la pluie ou dans un environnement humide, de façon à éviter que de l'humidité pénètre dans la radio. Conservez dans ce cas la coiffe en caoutchouc toujours soigneusement fermée.

La fonction de gestion automatique de l'alimentation sera activée en mode AUX-IN. En l'absence de signal d'entrée* à la prise AUX-IN pendant plus de 15 minutes, la radio DigiTube se mettra automatiquement en mode standby (veille). Pour rallumer la radio, appuyez sur la **touche ON/OFF**.

* Lorsque le signal d'entrée du lecteur externe est trop faible et ne peut être détecté pendant plus de 15 minutes par la fonction de gestion automatique de l'alimentation, la radio DigiTube se mettra automatiquement en mode standby (veille). Afin d'éviter que la radio se mette en mode standby (veille), augmentez légèrement le volume de sortie du lecteur externe jusqu'à ce que le signal soit détecté.

REGLAGE MANUEL DE L'HEURE ET DE LA DATE

L'heure et la date peuvent être réglées manuellement uniquement lorsque la radio est en mode standby (veille). Lorsqu'aucune touche n'est activée pendant 5 secondes, la radio quittera le mode de réglage de l'heure et l'heure réglée sera annulée.

1. Appuyez sur la **touche Menu** pendant 3 secondes jusqu'à ce que "CLOCK SET" soit affiché à l'écran.
2. Appuyez sur la **touche Select/Info**. Les chiffres correspondant aux heures clignoteront alors à l'écran.
3. Appuyez sur les **touches TUNING** (◀◀ ou ▶▶) pour régler l'heure.
4. Appuyez sur la **touche Select/Info** pour confirmer. Les chiffres correspondant aux minutes clignoteront ensuite à l'écran.
5. Appuyez sur les **touches TUNING** (◀◀ ou ▶▶) pour régler les minutes.
6. Appuyez sur la **touche Select/Info** pour confirmer. Les chiffres correspondant aux jours clignoteront ensuite à l'écran.
7. Appuyez sur les **touches TUNING** (◀◀ ou ▶▶) pour régler le jour exact.
8. Appuyez sur la **touche Select/Info** pour confirmer. Les chiffres correspondant aux mois clignoteront ensuite à l'écran.
9. Appuyez sur les **touches TUNING** (◀◀ ou ▶▶) pour régler le mois exact.
10. Appuyez sur la **touche Select/Info** pour confirmer. Les chiffres correspondant aux années clignoteront ensuite à l'écran.
11. Appuyez sur les **touches TUNING** (◀◀ ou ▶▶) pour régler l'année exacte.
12. Appuyez sur la **touche Select/Info** pour confirmer.
13. "SYNCLOCK ON" (Synchronisation de l'heure) apparaîtra ensuite à l'écran.
14. Appuyez sur les **touches TUNING** (◀◀ ou ▶▶) pour sélectionner "SYNCLOCK ON" ou "SYNCLOCK OFF".
15. Appuyez sur la **touche Select/Info** pour confirmer votre sélection.

Synchronisation de l'heure par stations RDS

Certaines stations RDS émettent un signal horaire. Lorsque la réception est bonne et que vous avez sélectionné l'option "SYNCLOCK ON", l'heure sera actualisée automatiquement. La synchronisation de l'heure peut prendre quelques minutes. L'actualisation automatique de l'heure sera toujours activée lorsque la radio est allumée en mode de réception FM et capte une station RDS.

REGLAGE DE L'ALARME

L'alarme peut être réglée uniquement lorsque la radio est en mode standby (veille). Lorsqu'aucune touche n'est activée pendant 5 secondes, la radio quittera le mode de réglage de l'alarme et le réglage sera annulé.

1. Appuyez sur la **touche Menu** pendant 3 secondes et ensuite sur la **touche Menu** jusqu'à ce "ALARM SET" soit affiché à l'écran.
2. Appuyez sur la **touche Select/Info**. Les chiffres correspondant aux heures clignoteront alors à l'écran.
3. Appuyez sur les **touches TUNING** (◀◀ ou ▶▶) pour régler l'heure.
4. Appuyez sur la **touche Select/Info** pour confirmer. Les chiffres correspondant aux minutes clignoteront ensuite à l'écran.
5. Appuyez sur les **touches TUNING** (◀◀ ou ▶▶) pour régler les minutes.
6. Appuyez sur la **touche Select/Info** pour confirmer.
7. "ALARM SOURCE" sera ensuite affiché à l'écran. Vous pouvez choisir entre "BUZZER" et "FM RADIO". Appuyez sur les **touches TUNING** (◀◀ ou ▶▶) pour sélectionner BUZZER" ou "FM RADIO". Si vous sélectionnez "FM RADIO", la dernière station FM écoutée sera audible lorsque l'alarme se déclenche.
8. Appuyez sur la **touche Select/Info** pour confirmer votre sélection.
9. "VOL XX" sera ensuite affiché à l'écran. Appuyez sur les **touches TUNING** (◀◀ ou ▶▶) pour régler le volume de l'alarme.
10. Appuyez sur la **touche Select/Info** pour confirmer.

Activation/désactivation de l'alarme

1. Pour activer l'alarme, appuyez sur la **touche Select/Info** pendant 2 secondes, lorsque la radio est en mode standby (veille). Une icône d'alarme sera alors affichée dans le coin supérieur gauche de l'écran. Pour désactiver l'alarme, appuyez de nouveau sur la **touche Select/Info** pendant 2 secondes. L'icône d'alarme disparaîtra alors de l'écran.
2. Pour arrêter l'alarme lorsque celle-ci se déclenche, appuyez simplement sur la **touche ON/OFF**.

VOLUME ET SON

Pour régler le volume, appuyez simplement sur les **touches VOLUME** (– ou +) lorsque la radio fonctionne en mode DAB/FM/Bluetooth/AUX-IN. Le niveau de volume (de 00 à 40) sera affiché à l'écran LCD.

Remarque : Lorsque la radio fonctionne sur piles, le son sera déformé au niveau de volume le plus élevé si la charge des piles est particulièrement faible.

SON 360 DEGRES

Le haut-parleur unique au néodyme situé au-dessus de la radio produit un son à 360 degrés. Suggestion : Mettez la radio dans un coin ou près d'un mur pour améliorer la sonorité et augmenter l'effet des basses.

REGLAGE DE LA TONALITE

La fonction de **réglage de la tonalité (Tone)** vous permet d'ajuster le niveau des basses et des aigues en fonction de vos goûts personnels.

1. Appuyez sur la **touche ON/OFF** pour allumer la radio.
2. Appuyez sur la **touche TONE**. "BASS 0" (BASSES 0) sera alors affiché à l'écran.
3. Appuyez sur les **touches VOLUME** (– et +) pour régler les basses au niveau souhaité.
4. Appuyez sur la **touche Select/Info** pour confirmer. "TREBLE 0" (AIGUES 0) sera ensuite affiché à l'écran.
5. Appuyez sur les **touches VOLUME** (– et +) pour régler les aigues au niveau souhaité.
6. Appuyez sur la **touche Select/Info** pour confirmer votre sélection.

SELECTION DE LA LANGUE

La radio peut être réglée de façon à ce que l’affichage du menu soit dans la langue de votre choix.

1. Appuyez sur la **touche ON/OFF** pour allumer la radio.
2. Appuyez sur la **touche Menu** et ensuite sur les **touches TUNING** (◀◀ ou ▶▶) jusqu’à ce que “System” soit affiché à l’écran.
3. Appuyez sur la **touche Select/Info** et ensuite sur les **touches TUNING** (◀◀ ou ▶▶) jusqu’à ce que “Language” (Langue) soit affiché à l’écran.
4. Appuyez sur la **touche Select/Info** et ensuite sur les **touches TUNING** (◀◀ ou ▶▶) pour entrer dans le menu de sélection de la langue.
5. Appuyez sur les **touches TUNING** (◀◀ ou ▶▶) pour sélectionner la langue souhaitée. Le réglage standard est l’anglais.
6. Appuyez sur la **touche Select/Info** pour confirmer votre sélection.

VERSION DU LOGICIEL

Il n’est pas possible de modifier l’affichage de la version du logiciel. Cet affichage est donné uniquement à titre d’information. Il est cependant possible de voir la version du logiciel dans le menu DAB ou FM.

1. Appuyez sur la **touche ON/OFF** pour allumer la radio.
2. Appuyez sur la **touche Source** (touche de sélection de la source audio) pour sélectionner le mode FM ou DAB.
3. Appuyez sur la **touche Menu** et ensuite sur les **touches TUNING** (◀◀ ou ▶▶) jusqu’à ce que “System” soit affiché à l’écran.
4. Appuyez sur la **touche Select/Info** et ensuite sur les **touches TUNING** (◀◀ ou ▶▶) jusqu’à ce que “SW version” (Version du logiciel) soit affiché à l’écran.
5. Appuyez sur la **touche Select/Info** pour voir la version du logiciel.
6. Appuyez de nouveau sur la **touche Select/Info** pour revenir au menu standard de la radio.

Remarque : La prise USB dans le logement des piles est destinée à la mise à jour éventuelle du logiciel si nécessaire.

REINITIALISATION DU SYSTEME

Lorsque la radio ou l’affichage ne fonctionne pas correctement ou en l’absence d’affichage, suivez la procédure ci-dessous.

1. Appuyez sur la **touche ON/OFF** pour allumer la radio.
2. Appuyez sur la **touche Menu** et ensuite sur les **touches TUNING** (◀◀ ou ▶▶) jusqu’à ce que “System” soit affiché à l’écran.
3. Appuyez sur la **touche Select/Info** et ensuite sur les **touches TUNING** (◀◀ ou ▶▶) jusqu’à ce que “Reset” soit affiché à l’écran.
4. Appuyez sur la **touche Select/Info**. “Reset? <No> Yes” sera alors affiché à l’écran.
5. Appuyez sur les **touches TUNING** (◀◀ ou ▶▶) pour sélectionner “Yes” si vous souhaitez réinitialiser la radio. Si ce n’est pas le cas, sélectionnez “No”.
6. Appuyez sur la **touche Select/Info** pour confirmer votre sélection.
7. Une réinitialisation complète de la radio sera alors effectuée. La mémoire de stations présélectionnées sera effacée et tous les réglages personnels seront annulés. Les réglages d’usine seront ensuite restaurés. Le message “WELCOME” (BIENVENUE) sera affiché à l’écran et la radio effectuera ensuite automatiquement un balayage de la plage de fréquences DAB et FM.

En cas de perturbations provoquées par une décharge électrostatique, procédez à la réinitialisation de la radio comme décrit ci-dessus. En cas d’échec, retirez l’adaptateur AC/DC de la prise de courant secteur et enlevez les piles. Rebranchez ensuite l’adaptateur AC/DC et réinsérez les piles dans la radio.

VERROUILLAGE DES TOUCHES

La radio est munie de la fonction Verrouillage en modes veille, DAB, FM, Bluetooth et Aux-in.

1. Appuyez et maintenez appuyé le bouton **SOURCE** pendant environ 3 secondes jusqu’à ce que l’écran affiche « Locked » (verrouillé).
2. Lorsque les touches sont verrouillées, les fonctions de la radio sont temporairement désactivées jusqu’au déverrouillage. Pendant le verrouillage, l’écran de la radio s’éclaire quelques secondes et affiche: « locked » (verrouillé) à l’écran.
3. Appuyez et maintenez appuyé le bouton **SOURCE** pendant environ 3 secondes à nouveau jusqu’à ce que l’écran affiche « unlocked » (déverrouillé). La fonction verrouillage des touches sera alors désactivée.

Remarque: Afin d’économiser l’énergie, lorsque la radio est en veille et fonctionne sur piles, la pression de certaines touches n’éclaire pas l’écran d’affichage.

ECLAIRAGE DE L'ECRAN

Configuration du rétro-éclairage de l'écran d'affichage LCD

1. Appuyez sur la **touche ON/OFF** pour allumer la radio.
2. Appuyez sur la **touche Menu** et ensuite sur les touches Tuning (◀◀ ou ▶▶) jusqu'à ce que « System » soit affiché à l'écran.
3. Appuyez sur la **touche Select/Info** et ensuite sur les **touches Tuning** (◀◀ ou ▶▶) jusqu'à ce que « LCD Backlight » soit affiché à l'écran (LCD éclairage).
4. Appuyez sur la **touche Select/Info** pour entrer dans le menu de réglage du rétro-éclairage de l'écran d'affichage LCD.
5. Appuyez sur les **touches Tuning** (◀◀ ou ▶▶) pour sélectionner « on » afin de garder le rétro-éclairage continuellement allumé lorsque la radio fonctionne sur secteur.
6. Ou appuyez sur les **touches Tuning** (◀◀ ou ▶▶) pour sélectionner « off » (par défaut) afin que lorsque vous utilisez la radio sur secteur, le rétro-éclairage reste allumé pendant environ 10 secondes à chaque fois que vous appuyez sur un bouton.
7. Appuyez sur la **touche Select/Info** pour confirmer votre choix.

Remarque: L'option de rétro-éclairage de l'écran LCD est seulement fonctionnelle sur « on » lorsque la radio fonctionne sur secteur. Lorsqu'elle fonctionne sur piles, l'option de rétro-éclairage de l'écran LCD est automatiquement sur « off » - 10 secondes d'éclairage de l'écran lorsqu'un bouton est pressé. Lorsque la radio est branchée à nouveau sur secteur, la dernière configuration choisie par l'utilisateur sera à nouveau appliquée.

GARANTIE

Ce produit est garanti pendant deux ans.

AVERTISSEMENT : LA GARANTIE PREND FIN LORSQUE LE BOITIER DE LA RADIO A ETE OUVERT OU LORSQUE LA RADIO A ETE MODIFIEE DE QUELQUE MANIERE QUE CE SOIT PAR L'UTILISATEUR FINAL.

La garantie de la radio ne couvre pas :

- Les dommages et le bris résultant d'une utilisation non correcte, d'un usage abusif, d'une négligence, de modifications, d'accidents ou de réparations non autorisées.
- L'usure normale en cours d'utilisation.
- Le bris ou la courbure excessive de l'antenne.
- Les piles.

INFORMATIONS

Alimentation électrique

Adaptateur courant secteur

AC/DC Entrée: 110-240V 50/60Hz AC~, Sortie: 12V DC  2A

Piles

6 x 1,5V (Type IEC LR6 / AM3 / format AA)

Piles rechargeables

6 x 1,2V (Type HR06 / format AA/ 2500mAh NiMH piles rechargeables). Il est fortement recommandé d'utiliser les piles Perfectpro.

Plage de fréquences

FM 87.5 – 108 MHz

DAB 174,928 – 239,200 MHz

Spécifications

Haut-parleur

1 x Ø 2 ¼"

Puissance de sortie

1 x 5 W

Aux-In

Entrée Ø 3.5 mm

Bluetooth

Version 4.0

Supports pour profils Bluetooth A2DP, AVRCP et HFP

INFORMATIONS

Données techniques



La radio est dépar-sitée conformément aux directives EU en vigueur.
Ce produit satisfait aux directives européennes 2006/95/CE, 2005/32/CE et 2004/108/CE.
La radio satisfait à la réglementation en matière de sécurité DIN EN 60065 (VDE 0860) et dès lors à la réglementation internationale en matière de sécurité IEC 60065.
Ne jamais ouvrir le boîtier de la radio.
Le fabricant décline toute responsabilité en cas de dommages résultant d'une utilisation non correcte ou abusive de la radio.
La plaque signalétique se trouve sur la face inférieure de la radio.

Protection de l'environnement :



Ce produit est fabriqué avec des pièces et des matériaux de qualité, susceptibles d'être réutilisés et recyclés. Lorsque ce produit a atteint la fin de sa vie utile, ne le jetez par conséquent pas avec les ordures ménagères ordinaires, mais confiez-le à un point de collecte et de recyclage d'appareils électriques et électroniques. Le symbole ci-contre figure à cet effet sur le produit, dans le mode d'emploi ainsi que sur l'emballage. Veuillez-vous informer auprès des autorités communales au sujet des points de collecte les plus proches de chez vous. Aidez à protéger l'environnement en recyclant les produits usagés.

INHOUD

INHOUD	1
BELANGRIJKE ALGEMENE VEILIGHEIDSIINSTRUCTIES	2
BEDIENINGSELEMENTEN	3
STROOMBRONNEN	5
ALGEMENE FUNCTIES	7
EERSTE GEBRUIK VAN DE RADIO	8
DAB MODUS	9
FM MODUS	12
VOORKEUZE ZENDERS INSTELLEN	14
BLUETOOTH MODUS	14
AUX IN MODUS	18
HANDMATIG DE KLOK INSTELLEN	18
TOONREGELING	21
TAAL INSTELLEN	21
SOFTWARE VERSIE	22
SYSTEEM RESET	22
DISPLAY VERLICHTING	23
TOETSBLOKKERING FUNCTIE	23
GARANTIE	24
INFORMATIE	24

WAARSCHUWING DE GARANTIE VERVALT INDIEN DE BEHUIZING VAN HET APPARAAT GEOPEND IS OF INDIEN HET APPARAAT DOOR DE EINDGEBRUIKER OP ENIGERLEI WIJZE GEMODIFICEERD OF VERANDERD IS.

BELANGRIJKE ALGEMENE VEILIGHEIDSLINSTRUCTIES

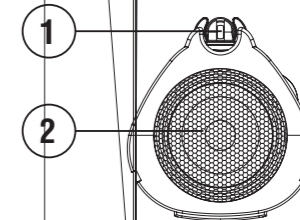
1. Lees deze instructies.
2. Bewaar deze instructies goed.
3. Neem alle waarschuwingen in acht.
4. Volg alle aanwijzingen op.
5. Reinig het uitsluitend met een droge doek.
6. Blokkeer geen ventilatieopeningen en plaats het toestel volgens de instructies.
7. Plaats het niet in de buurt van warmtebronnen zoals verwarmingen, ventilatiekleppen, ovens en andere apparaten (incl. versterkers) die warmte afgeven.
8. Gebruik uitsluitend de door de fabrikant aangegeven onderdelen/accessoires.
9. Gebruik het toestel uitsluitend met de door de fabrikant aangegeven of samen met het toestel gekochte wagentjes, standards, driepoten, klemmen of tafel. Wanneer u een wagen gebruikt, wees dan voorzichtig bij het bewegen van de combinatie wagen/toestel om letsel door omvallen te vermijden.
10. Koppel het toestel van de stroomvoorziening af bij onweer of wanneer het langere tijd niet wordt gebruikt.
11. Laat iedere vorm van onderhoud door gekwalificeerd personeel verrichten. Een onderhoud is noodzakelijk wanneer het toestel aan de stroomkabel of stekker beschadigd werd, wanneer er vloeistof of voorwerpen in het toestel zijn binnengedrongen, wanneer het toestel aan regen of vochtigheid was blootgesteld en wanneer het niet normaal functioneert resp. gevallen is.
12. Stel het toestel noch aan regen noch aan vochtigheid bloot om het gevaar voor brand of het risico van een elektrische schok te reduceren.
13. Verwijder de afdekking niet. In het binnenste bevinden zich geen onderdelen waarvoor een onderhoud noodzakelijk is.
14. Geen voorwerpen op het apparaat plaatsen welke een bron zijn van open vlammen.
15. Gebruik bij het gebruik in de open lucht op regenachtige dagen of bij vochtig weer uitsluitend batterijen om een elektrische schok te vermijden. Om elektrische schok te voorkomen, als de radio blootgesteld is geweest aan regen of water, dienen zowel het snoer als de stekker volledig gedroogd te worden alvorens de stekker in het stopcontact wordt gestoken.
16. De netstekker moet dicht bij het toestel en steeds toegankelijk zijn, zodat in geval van nood (bijv. om het toestel van het stroomnet te scheiden) alleen de stekker uit het stopcontact moet worden getrokken.
17. De productinformatie is te vinden op de onderzijde van het toestel.
18. Dit apparaat is voorzien van bescherming tegen spattend water (IP45).
19. In geval van storing ten gevolge van Electro-statische ontlading of piekspanning, verwijder de stroombron en sluit deze daarna weer aan.
20. Gebruik alleen de stroomadapter die is geleverd door de fabrikant.
ATL model : DCL25AF-120200
Input : AC 110-240V 50/60Hz
Output : 12V DC 2A



BEDIENINGSELEMENTEN

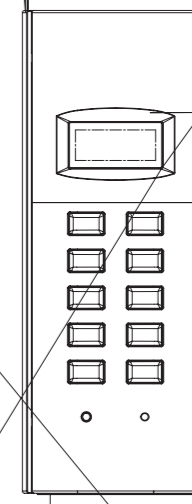
Bovenzijde

1. Antenne
2. Luidspreker



Voorzijde

3. LCD display
4. Volume omlaag toets -
5. Tuning omlaag toets
6. Menu-Preset toets
7. Toon toets
8. Aan-uit (standby) toets
9. Bluetooth verbonden LED
10. Volume omhoog toets +
11. Tuning omhoog toets +
12. Select-info toets
13. Audio bronkeuze toets (Source)
14. Telefoon toets
15. Microfoon



7. Wanneer het toestel langere tijd niet gebruikt wordt, is het aangeraden om de batterijen uit de radio te verwijderen.

De capaciteits-status van de batterijen (bij benadering) wordt op de LCD-display van de radio aangegeven middels het batterij-icoontje (4 niveaus). Wanneer de capaciteit laag is, verschijnt de mededeling "Battery low!" ("Batterij zwak") en het batterijsymbool laat een lege batterij zien. Dan moeten de batterijen op korte termijn worden vervangen of worden herladen om een normaal gebruik van de radio te kunnen garanderen.

Waarschuwing:

Er is explosiegevaar als de batterijen verkeerd worden vervangen. Alleen vervangen door hetzelfde of een gelijkwaardig type.

Controleer altijd of de **Batterijen-type schakelaar** op de juiste positie is ingesteld.

Een Alkaline batterij is niet oplaadbaar. Probeer nooit Alkaline batterijen op te laden.

Nooit verschillende types batterijen mengen.

Nooit geladen en ongeladen batterijen mengen.

Stel de batterijen niet bloot aan overmatige hitte, zoals zonlicht, vuur of dergelijke.

Batterijen dienen niet weggegooid te worden met het huishoudelijk afval of verbrand te worden. Oude, versleten batterijen moeten worden ingeleverd bij een recycleercentrum.

BELANGRIJKE INFORMATIE VOOR HET OPLADEN EN GEBRUIKEN VAN OPLAADBARE BATTERIJEN

1. **Laad de batterijen ten minste iedere 2 maanden op.**
2. Zorg ervoor dat de **Batterijen-type schakelaar** zeker in de "NiMH ON" positie staat.
3. **Plaats de batterijen in het compartiment volgens de correcte polariteit (+ en -).**
4. **Eerste gebruik: Laad de nieuwe batterijen in één, niet onderbroken, laadbeurt tot ze vol zijn.** Deze eerste laadbeurt zal langer duren dan een normale laadbeurt. Voor een langere levensduur van de batterijen is het daarna het beste om de batterijen altijd in één, niet onderbroken laadbeurt te laden tot ze volledig vol zijn en niet steeds te laden wanneer ze nog voldoende vol zijn.
5. De nieuwe batterijen zullen hun volle capaciteit pas bereiken na een aantal gebruikscycli (ontladen-laden).
6. Laat de hele groep batterijen, bij regelmatig gebruik, in de radio zitten en gebruik deze niet voor andere doeleinden. Ook nooit een paar batterijen eruit halen en voor iets anders gebruiken. Zo ontstaat een mix van (volledig) geladen en (gedeeltelijk) ontladen batterijen.

7. Laad de batterijen bij een omgevingstemperatuur tussen de 5 graden C en 35 graden C. Bij een hogere of lagere temperatuur kunnen de batterijen niet volledig geladen worden.
8. Door de hoge capaciteit van de meegeleverde batterijen kan het laden van "leeg" tot "vol" meerdere uren duren.
9. Laad geen batterijen op als de radio warm is of is blootgesteld aan hitte of warmtebronnen.
10. Geadviseerd wordt de metalen contactpunten van de batterijen en van de lader in de radio van tijd tot tijd te reinigen met een contactspray speciaal voor electronica.
11. Nooit oude en nieuwe oplaadbare batterijen door elkaar gebruiken.
12. Nooit oplaadbare en niet-oplaadbare batterijen door elkaar gebruiken.
13. Nooit lege en volgeladen oplaadbare batterijen door elkaar gebruiken.
14. Nooit batterijen door elkaar gebruiken met een verschillende capaciteit (mAh).
15. Nooit beschadigde, misvormde of lekkende batterijen gebruiken.
16. De batterij status indicatie (batterij-icoon in display) is een indicatie bij benadering en deze kan verschillen afhankelijk van het gebruikte type batterijen.
17. De batterijen kunnen warm worden tijdens het opladen.
18. In koude omstandigheden zal de capaciteit van batterijen lager zijn dan bij normale kamertemperatuur.
19. Batterijen vallen, als zijnde verbruiksgoederen, niet onder de garantiebepalingen zoals deze gelden voor de radio.
20. Het wordt aangeraden om Perfectpro oplaadbare batterijen te gebruiken, omdat de radio en de interne oplader ontwikkeld zijn voor deze batterijen.

ALGEMENE FUNCTIES

1. **De radio aan en uit zetten**
Druk op de **Aan/Uit toets** om de radio in te schakelen of terug op standby te zetten.
2. **Kiezen tussen DAB / FM / Bluetooth of AUX IN modus.**
Druk op de **Audiobron keuzetoets (Source)** om van de ene naar de andere modus te gaan.
3. **De radio afstemmen op de gewenste zender**
Druk op de **TUNING toetsen (◀ en ▶)**.

4. **Volume aanpassen**
Druk op de **VOLUME toetsen** (+ en -).
5. **Toon aanpassen**
Druk op de **TONE toets** en pas de Bass en Treble aan met de **VOLUME toetsen** (+ en -).
6. **De radio met uw mobiele telefoon verbinden via Bluetooth**
Selecteer het apparaat "**PP DigiTube**" in het Bluetooth menu van uw mobiele telefoon.
7. **Muziek afspelen vanaf uw mobiele telefoon in Bluetooth modus**
Gebruik de media spelers van uw mobiele telefoon.
8. **Muziek afspelen vanaf een verbonden mobiele telefoon met de DigiTube radio in Bluetooth modus**
Druk op de **Select/info toets** om af te spelen of te pauzeren, de **TUNING toetsen** (◀▶ en ▶▶) om het vorige of volgende nummer te selecteren.
9. **Een telefoonoproep beantwoorden vanaf de DigiTube radio**
Druk op de **Telefoon toets (telefoon icoon)** om op te nemen en op te hangen.
10. **Het laatst gebelde telefoonnummer opnieuw bellen in Bluetooth modus**
Houd de **Telefoon toets (telefoon icoon)** langer dan 2 seconden ingedrukt.
11. **De AUX-IN functie gebruiken**
Verbind uw apparaat via de Ø3.5mm AUX-IN ingang en speel muziek af via uw apparaat naar keuze.

EERSTE GEBRUIK VAN DE RADIO

1. Plaats de radio op een vlakke ondergrond.
2. Sluit de stroomadapter aan en stop deze in het stopcontact.
3. Zet de antenne, die zich aan de achterkant van de radio bevindt, rechtop.
4. De radio zal enkele seconden de boodschap "WELCOME" tonen. Vervolgens zal de radio automatisch een scan van de Band III DAB kanalen en de FM band uitvoeren. Op de display zal "Scanning" verschijnen bij DAB en "Auto" bij FM.

5. Wanneer de scan voltooid is, zullen de 10 sterkste FM-zenders worden opgeslagen als voorkeurzenders en de beschikbare DAB-zenders worden in de lijst met zenders gezet. De radio schakelt over naar stand-by, de bijgewerkte klok en datum zijn te zien op de display.
6. **Als er geen radiosignaal gevonden werd dan wordt de tijd/datum niet geupdate.**
Het kan dan nodig zijn om de radio te verplaatsen naar een andere positie met een betere radio-ontvangst

DAB MODUS (DAB – DAB+)

Bediening van de radio - DAB

1. Zet de antenne rechtop. Druk op de **Aan/Uit toets** om de radio in te schakelen.
2. Kies de DAB modus door deze te kiezen met de **Audiobron keuzetoets (Source)**
3. De eerste zender (in numerieke-alpha volgorde 0...9,A...Z) in de zenderlijst zal afspelen. De display toont de naam van de zender. Als de radio eerder is gebruikt zal de laatst geselecteerde zender afspelen.
4. Als geen zendersignaal wordt gevonden wordt "No stations available" ("Geen zenders beschikbaar") weergegeven. Het kan dan nodig zijn om de radio te verplaatsen naar een andere positie met een betere radio-ontvangst. U kunt dan een Auto Scan uitvoeren om zenders te zoeken. Zie verderop "**Nieuwe zenders zoeken – DAB**".

Een zender kiezen - DAB

1. Druk op de **Aan/Uit toets** om de radio in te schakelen.
2. Kies de DAB modus door deze te kiezen met de **Audiobron keuzetoets (Source)**
3. De display geeft aan "Now tuning" gedurende enkele seconden.
4. De display geeft de naam van de zender aan die speelt aan.
5. Druk op de **TUNING toetsen** (◀▶ en ▶▶) om door de lijst van beschikbare zenders te lopen.
6. Als de naam van de gewenste zender verschijnt druk dan op de **Select/info toets** om de zender te selecteren.

Als na het selecteren de display aangeeft "No stations available" dan kan het nodig zijn de radio te verplaatsen naar een andere positie om ontvangst te krijgen.

Display modus - DAB

In de DAB modus kan de radio diverse informatie aangeven.

1. Druk op de **Info toets** om de diverse informatie te doorlopen.
 - a. Lopende tekst Geeft mededelingen van de beluisterde zender als doorlopende tekst aan.
 - b. Signaal sterkte Geeft het ontvangen niveau van de signaalsterkte van de zender aan. **Het open blokje geeft het minimum signaalniveau aan nodig voor een goede ontvangst.**
 - c. Programma type Geeft het type programma aan die u hoort, bijv. pop, klassiek, nieuws, enz.
 - d. Multiplex naam Geeft de naam van de multiplex aan waartoe de zender behoort.
 - e. Kanaal & frequentie Geeft het nummer en de frequentie aan van de zender.
 - f. Bit rate & audio type Geeft de "audio bit rate" en de "audio format" van de betreffende uitzending weer.
 - g. Tijd en datum Geeft de actuele tijd en de datum aan.

Nieuwe stations zoeken – DAB

Van tijd tot tijd kunnen er nieuwe zenders beschikbaar zijn. Om deze te vinden:

1. In DAB modus, druk op de **Menu toets**, de display geeft aan "Full scan".
2. Druk op de **Select/info toets**, de radio scant de frequenties van de DAB Band III.
Als er nieuwe zenders gevonden worden dan worden deze toegevoegd aan de zenderlijst.

Handmatig zenders zoeken – DAB

Handmatig afstemmen geeft u de mogelijkheid om direct zenders te kiezen in de DAB Band III.

1. In DAB modus, druk op de **Menu toets** en de **TUNING (◀◀ of ▶▶)** toetsen totdat er "Manual Tune" op de display verschijnt, druk vervolgens op de **Select/info toets**. De display zal dan het DAB kanaal en de bijhorende frequentie tonen.
2. Druk op de **TUNING (◀◀ of ▶▶)** toetsen om de gewenste frequentie te selecteren en dan op de **Select/info toets** om uw keuze te bevestigen.

3. Als een DAB signaal gevonden is toont de display de naam van het station.
4. De signaalsterkte display geeft het ontvangen niveau van de zender aan. Het open blokje geeft het minimum signaalniveau aan nodig voor een goede ontvangst. De signaalsterkte aanduiding verandert mogelijk als u de positie van de antenne en/of de radio verandert.
5. Herhaal stap 1 tot en met 4 voor andere kanalen en de gewenste frequenties.
6. Druk 2 maal op de **Menu toets** om terug te keren naar het standaard DAB menu.

Dynamic Range Control (DRC) settings – DAB

DRC kan zachtere geluiden beter hoorbaar maken als de radio in een lawaaierige omgeving gebruikt wordt.

1. In DAB modus, druk op de **Menu toets** en de **TUNING (◀◀ of ▶▶)** toetsen totdat er "DRC Value" op de display verschijnt, druk vervolgens op de **Select/info toets**.
2. Druk op de **TUNING (◀◀ of ▶▶)** toetsen om de gewenste DRC instelling te selecteren (standaard is OFF).

DRC off	DRC uitgeschakeld, DRC uitzending zal genegeerd worden.
DRC high	DRC volledig weergegeven als uitgezonden
DRC low	DRC niveau op ½ van het uitgezonden niveau.
3. Druk op de **Select/info toets** om deze instelling te bevestigen. De display zal terugkeren naar het standaard DAB menu.

Opmerking: Niet alle DAB zender gebruiken de DRC functie. Als de zender geen DRC informatie meezendt hebben de DRC instellingen van de radio geen effect.

Zenders snoeien "Prune" – DAB

Als u zich verplaatst naar een ander gebied of land kunnen bepaalde zenders niet meer beschikbaar zijn. Ook kunnen bepaalde zenders stoppen met uitzenden of van frequentie veranderen. De "Prune" ("Snoei") functie verwijdert dan de niet beschikbare zenders uit uw zenderlijst.

1. In DAB modus, druk op de **Menu toets** en de **TUNING toetsen (◀◀ of ▶▶)** totdat de display "Prune" toont, druk vervolgens op de **Select/info toets**.
2. Druk op de **TUNING toetsen (◀◀ of ▶▶)** om te kiezen tussen ""Yes"("Ja") of "No"("Nee") (Standaard is Nee).

3. Druk op de **Select/info toets** om deze instelling te bevestigen. De display zal terugkeren naar het vorige menu. Druk op de **Menu toets** om terug te gaan naar het standaard DAB menu.

Opmerking: Als u zich verplaatst naar een ander gebied of land kunt u best ook nieuwe zenders zoeken. Zie hiervoor "Nieuwe zenders zoeken".

FM MODUS

Bediening van de radio – Automatische zenderzoek functie FM

1. Druk op de Aan/uit toets om de radio in te schakelen.
2. Selecteer de **FM RADIO** modus door op de **Audiobron keuzetoets (Source)** te drukken.
3. Als het de eerste keer is dat de radio gebruikt wordt dan zal de radio voorkeuze-zender 1 afspelen. Als de radio eerder is gebruikt dan zal de laatst beluisterde zender afspelen.
4. Om een zender te zoeken, druk op de **TUNING toetsen** (◀◀ of ▶▶). Het zenderscannen stopt vanzelf als een zender gevonden wordt met voldoende signaalniveau.
5. Na enkele seconden toont het display de zendernaam, indien deze RDS informatie beschikbaar is en ontvangen wordt.
6. Om andere zenders te vinden druk weer op de **TUNING toetsen** (◀◀ of ▶▶).
7. Om zenders in tegenovergestelde richting te zoeken drukt u op de **TUNING ▶▶ toets** (voor het zoeken van lage naar hoge frequentie) of op de **TUNING ◀◀ toets** (voor het zoeken van hoge naar lage frequentie).
8. Wanneer het einde van het frequentiebereik is bereikt, begint de radio opnieuw te zoeken vanaf het tegenovergestelde einde van het frequentiebereik.

Handmatige afstemming – FM

1. Druk op de **Aan/uit toets** om de radio in te schakelen.
2. Kies de FM modus door het drukken op de Audiobron keuzetoets (Source).
3. Druk kort op de **TUNING toetsen** (◀◀ of ▶▶) om de gewenste frequentie of zender te bereiken. Dit gaat in stappen van 50 kHz.
4. Pas de positie van de rubberen antenne aan om de beste ontvangst te verkrijgen. Na enkele seconden toont het display de zendernaam, indien deze RDS informatie beschikbaar is en ontvangen wordt.

5. Wanneer het einde van het frequentiebereik is bereikt, begint de radio opnieuw te zoeken vanaf het tegenovergestelde einde van het frequentiebereik.

RDS zender-service – FM

RDS (Radio Data System) is een informatiesysteem dat behalve het normale FM-radioprogramma onhoorbare digitale informatie meezendt. Wanneer de radio een RDS-zender ontvangt en de ontvangst voldoende sterk is, verschijnt de naam van de zender in de LCD display. Het kan even duren tot deze RDS informatie beschikbaar is.

Oproepen van de RDS-informatie

Wanneer u naar een FM-zender met RDS-informatie luistert, drukt u meermaals op de Select/Info toets om door de RDS informatie te lopen. Dit functioneert alleen wanneer het niveau van de ontvangst voldoende sterk en helder is.

- | | |
|---------------------------------|--|
| a. Programmaservice (PS) | Geeft de naam van de zender aan die u hoort. |
| b. Radiotekst (RT) | Geeft mededelingen van de beluisterde zender alsdoorlopende tekst aan. |
| c. Programma-type (PTY) | Geeft het type zender aan die u hoort, bijv. pop,klassiek, nieuwsberichten, enz. |
| d. Frequentie | Geeft de beluisterde frequentie aan. |
| a. Niveau signaalsterkte (SGLV) | Geeft het ontvangen niveau van de signaalsterkte van de zender aan. |
| e. Tijd & datum | Geeft het huidige tijdstip (24 uur klok) en de datum weer. |

Scan gevoeligheid instelling – FM

De radio scant normaal alle FM zenders inclusief diegene met een zwakker signaal. U kunt de scan functie echter ook instellen dat deze alleen de zenders met een sterk signaal voor een goede ontvangst vindt.

1. Druk op de **Aan/Uit toets** om de radio in te schakelen.
2. Kies de FM modus door het drukken op de **Audiobron keuzetoets (Source)**.
3. Druk op de **Menu-toets**. De display geeft aan "Scan".
4. Druk op de **Select/info toets**.
5. Druk op de **TUNING toetsen** (◀◀ of ▶▶) om te kiezen tussen "All" ("Alle zenders") of "Strong" ("Sterke zenders") Standard instelling is "Strong".
De "Strong" optie zorgt ervoor dat de radio alleen de sterke zenders vindt bij het scannen.
6. Druk op de Select/info toets om te instelling te bevestigen.

VOORKEUZE ZENDERS INSTELLEN

Instellen van zenders in het voorkeuze-geheugen

Deze radio beschikt over 20 voorkeuze-geheugens: 10 voor FM en 10 voor DAB. Het voorkeuze-geheugen wordt opgeslagen in de radio ook als de stroombron onderbroken wordt.

1. Druk op de **Aan/Uit toets** om de radio in te schakelen.
2. Kies de FM of DAB modus door het drukken op de **Audiobron keuzetoets (Source)**.
3. Stel de gewenste zender in.
4. Druk (1 sec.) op de **Menu-Preset** toets tot "Preset" ("Voorkeuze") wordt getoond in de display.
5. Gebruik de **TUNING toetsen** (◀◀ of ▶▶) om de gewenste voorkeuze-geheugenplaats te selecteren (van P1 tot P10).
6. Druk (1 sec.) op de **Select/Info toets** om deze voorkeuze-geheugenplaats te bevestigen, de display zal "Saved" weergeven als bevestiging.
7. Herhaal deze stappen om andere zenders in het voorkeuze-geheugen vast te leggen.
8. Ingestelde voorkeuze-geheugenplaatsen kunnen indien gewenst met de bovenstaande procedure weer worden overschreven

Oproepen van voorkeuze-zenders

1. Druk op de Aan/uit toets om de radio in te schakelen.
2. Kies de gewenste modus (FM of DAB) door te drukken op de **Audiobron keuzetoets (Source)**.
3. Druk (1 sec.) op de **Menu-Preset** toets tot "Preset" wordt getoond op de display. De display zal de zal de frequentie en het voorkeuzenummer weergeven.
4. Druk op de **TUNING toetsen** (◀◀ of ▶▶) om de gewenste voorkeuze-zender te selecteren, druk vervolgens op de **Select/info toets** om uw keuze te bevestigen.

BLUETOOTH MODUS

Bluetooth koppelen met uw mobiele telefoon

1. Druk op de **Aan/Uit toets** om de radio aan te zetten.

2. Kies de Bluetooth modus door het drukken op de **Audiobron keuzetoets (Source)**.
3. De blauwe **Bluetooth connected LED** (Bluetooth verbonden) zal knipperen indien de radio en uw telefoon nog niet gekoppeld zijn.
4. Ga op uw mobiele telefoon naar het Bluetooth instellingenmenu en kies "**PP DigiTube**" in de lijst van Bluetooth apparaten (deze koppelings-instructies kunnen verschillen afhankelijk van het model van uw mobiele telefoon, voor meer info: gelieve de handleiding van uw mobiele telefoon te raadplegen).
5. Indien uw mobiele telefoon erin is geslaagd een koppeling tot stand te brengen zal de **Bluetooth connected LED** stoppen met knipperen en de display zal "Bluetooth Connected" tonen.

Muziek afspelen vanaf uw mobiele telefoon

1. Druk op de **Aan/Uit toets** om de radio aan te zetten.
2. Kies de Bluetooth modus door het drukken op de **Audiobron keuzetoets (Source)**.
3. Speel de gewenste muziek af vanaf de media spelers van uw mobiele telefoon.
4. Het afspelen van uw muziek kunt u besturen vanaf uw mobiele telefoon of met de ◀◀ of ▶▶ toetsen op de DigiTube radio. Druk op de **Select/info toets** om af te spelen of te pauzeren.

Een telefoonoproep beantwoorden vanaf de DigiTube radio

Met de Hands-Free-Bellen functie kunt u inkomende telefoonoproepen aannemen terwijl de radio zich in Bluetooth, DAB, FM of AUX IN modus bevindt.

1. Druk op de **Telefoon toets (Telefoon icoon)** om een inkomende telefoonoproep op te nemen.
2. Spreek richting de microfoon (**MIC**) die zich net onder de **Telefoon toets (Telefoon icoon)** bevindt.
3. Pas het volume aan door op de **VOLUME toetsen** (– of +) te drukken. Een lager volume kan eventuele echo tijdens uw gesprek verminderen.
4. Druk nogmaals op de **Telefoon toets (Telefoon icoon)** om op te hangen.

Opmerking: Het volume van de beltoon zal de eerste 20 seconden op het maximale volume afspelen, dan zal het gereduceerd worden naar het eerder gebruikte volumenniveau. U kunt het volume ook terugbrengen naar het eerder gebruikte niveau door op de **Telefoon toets (Telefoon icoon)** te drukken of door op de **VOLUME toetsen** (– of +) te drukken.

Het laatst gebelde nummer opnieuw bellen (van de gekoppelde telefoon)

Met de Hands-Free-Bellen functie kunt u het laatst gebelde nummer op uw mobiele telefoon terugbellen (alleen in Bluetooth modus).

1. Druk op de **Aan/Uit toets** om de radio aan te zetten.
2. Kies de Bluetooth modus door het drukken op de **Audiobron keuzetoets (Source)**.
3. Houd de **Telefoon toets (Telefoon icoon)** meer dan 2 seconden ingedrukt. Het laatst gebelde nummer van uw mobiele telefoon zal nu opnieuw gebeld worden.
4. Pas het volume aan door op de **VOLUME toetsen** (– of +) te drukken, indien nodig.
5. Druk nogmaals op de **Telefoon toets (Telefoon icoon)** om op te hangen.

Bluetooth Instellingen

De Bluetooth functie kan op verschillende manieren ingesteld worden:

1. In Bluetooth modus, druk op de **Menu** toets om naar de instellingen te gaan.
2. Druk op de **TUNING toetsen** (◀◀ of ▶▶) tot “Bluetooth” getoond wordt; druk dan op de **Select/info toets**.
3. Druk op de **TUNING toetsen** (◀◀ of ▶▶) om te kiezen tussen “BT always on”, “BT mode only” of “Disconnect BT” opties, en druk op de **Select/info toets** om de gewenste instelling te bevestigen.
 - a. BT always on Bluetooth is dan ingeschakeld wanneer de DigiTube radio aan staat. U kunt muziek afspelen in de Bluetooth-modus en gebruik maken van de Hands-Free-Bellen-functie om inkomende telefoongesprekken te ontvangen in alle modi, bijvoorbeeld ook wanneer u naar de radio luistert. Ter indicatie zal de blauwe **Bluetooth connected LED aanstaan** in alle modi (FM, DAB, Bluetooth en AUX IN).
 - b. BT mode only Bluetooth staat dan alleen aan in Bluetooth modus. U kunt muziek afspelen en inkomende telefoongesprekken ontvangen, enkel wanneer de radio in Bluetooth modus staat. Ter indicatie staat de blauwe **Bluetooth connected LED** enkel aan in de Bluetooth modus.
 - c. Disconnect BT De Bluetooth verbinding met uw mobiele telefoon wordt direct verbroken. De blauwe **Bluetooth connected LED** zal knipperen totdat er een nieuwe verbinding tot stand wordt gebracht. De radio zoekt nu naar een nieuw apparaat om verbinding mee te maken. Indien er geen nieuwe verbinding tot stand wordt gebracht zal de radio automatisch proberen te verbinden met het laatste apparaat, wanneer de radio uit en terug aan wordt geschakeld.

De Auto-Power management-functie wordt geactiveerd in de Bluetooth modus. Als er gedurende een periode van meer dan 15 minuten, geen signaal via Bluetooth binnenkomt, dan zal de DigiTube radio automatisch overschakelen naar stand-by modus. Als u op de **Aan/Uit toets** drukt zal de radio terug aan gaan.

Bluetooth LED

1. Druk op de **Aan/Uit toets** om de radio in te schakelen.
2. Druk op de **Menu-toets**, en dan de **TUNING toetsen** (◀◀ of ▶▶) tot “System” wordt getoont in de display.
3. Druk op de **Select/Info toets** en dan de **TUNING toetsen** (◀◀ of ▶▶) tot “Bluetooth LED” wordt getoont in de display.
4. Druk op de **Select/Info toets** om toegang te krijgen tot het Bluetooth LED menu.
5. Druk op de **TUNING toetsen** (◀◀ of ▶▶) om “on” te selecteren (standaard), bij deze instelling blijft het Bluetooth LED branden wanneer er een verbinding is.
6. Of druk op de **TUNING toetsen** (◀◀ of ▶▶) om “off” te selecteren, zodat het Bluetooth LED is uitgeschakeld wanneer er een verbinding is.
7. Druk op de **Select/Info toets** om de keuze te bevestigen.

AUX-IN MODUS

Aan de zijkant achter de rubberen afdekking bevindt zich een 3,5 mm stereo **Aux In ingang** voor het aansluiten van een extern audioapparaat zoals bijv. een MP3-speler of een CD-speler (niet meegeleverd bij de radio).

1. Verbind een externe speler met de **Aux in ingang**.
2. Druk op de **Audiobron keuzetoets (Source)** om AUX IN te kiezen. De display geeft "AUX IN" aan.
3. Speel de externe speler af.
4. Stel het volume van zowel de radio als de speler in op het gewenste luisterniveau.

Opmerking: Gebruik de AUX-IN ingang nooit in de regen of in een vochtige omgeving om te voorkomen dat er vocht binnendringt in de radio! Hou de rubberen afdekking altijd gesloten in deze omstandigheden.

De Auto-Power management-functie wordt geactiveerd in AUX IN modus. Als er gedurende een periode van meer dan 15 minuten, geen signaal * via de Aux-In-aansluiting binnenkomt, dan zal de DigiTube radio automatisch overschakelen naar stand-by modus. Als u op de **Aan/Uit toets** drukt zal de radio terug aan gaan.

* Ook wanneer het binnenkomende signaal van het externe apparaat te zwak is en niet kan worden gedetecteerd gedurende een periode van meer dan 15 minuten met de Auto-Power management, zal de DigiTube radio overschakelen naar stand-by modus. Om dit te voorkomen verhoogt u het uitgangsvolume van de externe speler iets tot het voldoende te detecteren is.

HANDMATIG DE KLOK INSTELLEN

De klok kan alleen dan handmatig worden ingesteld, wanneer de radio is uitgeschakeld. Wanneer er 5 seconden lang geen toetsen worden ingedrukt, verlaat de radio de instellingsmodus van de klok en de instelling wordt gewist.

1. Druk ongeveer 3 seconden op de **Menu-toets**. "CLOCK SET" wordt getoond in de display.
2. Druk op de **Select/Info toets** en de cijfers van de uren knipperen.
3. Druk op de **TUNING toetsen** (◀◀ of ▶▶) om het uur in te stellen.
4. Druk op de **Select/Info toets** om te bevestigen en de cijfers van de minuten knipperen.
5. Druk op de **TUNING toetsen** (◀◀ of ▶▶) om de minuten in te stellen.

6. Druk op de **Select/Info toets** om te bevestigen en de cijfers van de dag knipperen.
7. Druk op de **TUNING toetsen** (◀◀ of ▶▶) om de dag in te stellen.
8. Druk op de **Select/Info toets** om te bevestigen en de cijfers van de maand knipperen.
9. Druk op de **TUNING toetsen** (◀◀ of ▶▶) om de maand in te stellen.
10. Druk op de **Select/Info toets** om te bevestigen en de cijfers van het jaar knipperen.
11. Druk op de **TUNING toetsen** (◀◀ of ▶▶) om het jaar in te stellen.
12. Druk op de **Select/Info toets** om te bevestigen.
13. Het display toont "SYNCLOCK ON". Druk op de **TUNING toetsen** (◀◀ of ▶▶) om te kiezen tussen "SYNCLOCK ON" of "SYNCLOCK OFF".
14. Druk op de **Select/Info toets** om te bevestigen.

RDS time synchronisation

Wanneer "SYNCLOCK ON" (SYNCLOCK AAN) wordt gekozen. Sommige RDS zenders zenden een tijdsignaal uit. Wanneer de ontvangst hiervan goed is en u bij de instelling van de tijd de optie "SYNCLOCK ON" (SYNCLOCK AAN) hebt gekozen, wordt de tijd automatisch aangepast. De synchronisatie van de tijd kan enkele minuten duren. De automatische instelling van de klok wordt steeds geactiveerd, wanneer de radio aan is en naar FM modus wordt geschakeld en een RDS zender ontvangt.

Druk op de **Select/info toets** om te bevestigen.

WEKKER INSTELLEN

De wekker kan alleen dan worden ingesteld, wanneer de radio is uitgeschakeld. Wanneer er 5 seconden lang geen toetsen worden ingedrukt, verlaat de radio de instellingsmodus van de wekker en de instelling wordt gewist.

1. Druk ongeveer 3 seconden op de **Menu-toets**, en druk daarna nogmaals op de Menu-toets tot "ALARM SET" wordt getoond in de display.
2. Druk op de **Select/info toets** en de cijfers van de uren knipperen.
3. Druk op de **TUNING toetsen** (◀◀ of ▶▶) om het uur in te stellen.
4. Druk op de **Select/Info toets** om te bevestigen en de cijfers van de minuten knipperen.
5. Druk op de **TUNING toetsen** (◀◀ of ▶▶) om de minuten in te stellen.
6. Druk op de **Select/Info toets** om te bevestigen.

- Het display toont dan "ALARM SOURCE". U kunt kiezen tussen "BUZZER" of "FM RADIO" als wekker geluid. Druk op de **TUNING toetsen** (◀◀ of ▶▶) om te kiezen. Als "FM RADIO" wordt gekozen dan speelt de laatst geselecteerde zender als wekker geluid.
- Druk op de **Select/Info toets** om de keuze te bevestigen.
- Het display toont daarna "VOL XX". Druk op de **TUNING toetsen** (◀◀ of ▶▶) om het gewenste wekker geluidsvolume in te stellen.
- Druk op de **Select/Info toets** om te bevestigen.

Wekker in- / uitschakelen

- Om het de wekkerfunctie in te schakelen druk op de **Select/Info toets** en hou deze ingedrukt gedurende 2 seconden als de radio uitstaat en het wekker icoontje zal dan te zien zijn in de linker bovenhoek van het display. Met ingedrukt houden gedurende 2 seconden van de **Select/Info toets** wordt de wekkerfunctie uitgeschakeld en verdwijnt het wekker icoontje uit de display.
- Om de wekker uit te schakelen als deze af gaat druk eenvoudigweg op de **Aan/Uit toets**.

VOLUME & SOUND

Om het volume aan te passen drukt u simpelweg op de **Volume (– of +) toetsen** wanneer de radio aan het spelen is in DAB / FM radio / Bluetooth / AUX IN modus.
Het volumeniveau (van 00 tot 40) wordt dan getoond in het display.

Opmerking: Bij het afspelen op batterijen; als het energieniveau van de batterijen te laag is, kan het geluid op hoger volume niveau vervormen.

360 GRADEN GELUID

De unieke Neodymium luidspreker (bovenkant van de radio) levert een 360 graden geluidsbeeld. Suggestie: indien gewenst kunt u de radio in een hoek of dicht bij een muur plaatsen voor extra geluids- en bassreflectie.

TOONREGELING

Met de **Toonregeling (Tone)** functie kunnen de lage tonen (Bass) en hoge tonen (Treble) aan uw persoonlijke voorkeur aangepast worden.

- Druk op de **Aan/Uit toets** om de radio aan te zetten.
- Druk op de **TONE toets**, de display toont "BASS 0".
- Druk op de **VOLUME toetsen** (+ en -) om het gewenste Bass niveau in te stellen.
- Druk de **Select/info toets** om te bevestigen, dan wordt "TREBLE 0" getoond.
- Druk op de **VOLUME toetsen** om het gewenste Treble niveau in te stellen.
- Druk de **Select/info toets** om te bevestigen.

TAAL INSTELLEN

Het bedieningsmenu kan worden ingesteld op diverse talen

- Druk op de **Aan/Uit toets** om de radio in te schakelen.
- Druk op de **Menu toets** en vervolgens op de **TUNING toetsen** (◀◀ of ▶▶) tot de display "System" toont.
- Druk op de **Select/info toets**; druk vervolgens op de **TUNING toetsen** (◀◀ of ▶▶) tot de display "Language" ("Taal") toont.
- Druk op de **Select/info toets**; druk dan op de **TUNING toetsen** (◀◀ of ▶▶) om door het taal-instellingsmenu te bladeren.
- Druk op de **TUNING toetsen** (◀◀ of ▶▶) om de gewenste taal te selecteren. Standaard instelling is Engels.
- Druk op de **Select/info toets** om de instelling te bevestigen.

SOFTWARE VERSIE

De weergave van de software kan niet worden aangepast en is alleen voor uw informatie. U kunt de software versie zien in het DAB en FM menu.

1. Druk op de **Aan/Uit toets** om de radio in te schakelen.
2. Kies de FM of DAB modus door het drukken op de **Audiobron keuzetoets (Source)**.
3. Druk op de **Menu toets** en vervolgens op de **TUNING toetsen** (◀◀ of ▶▶) tot de display “System” toont.
4. Druk op de **Select/info toets**; druk vervolgens op de **TUNING toetsen** (◀◀ of ▶▶) tot de display “SW version” toont.
5. Druk op de **Select/info toets** om de software versie weer te geven.
6. Druk op de **Menu toets** om terug te keren naar de standard radio-menu.

Opmerking: De USB ingang in het batterijen compartiment is voor het eventuele upgraden van de software indien nodig.

SYSTEEM RESET

Als de radio niet correct functioneert of b.v. de weergave in de display ontbreekt, geheel of gedeeltelijk, voer dan de volgende procedure.

1. Druk op de **Aan/Uit toets** om de radio in te schakelen.
2. Druk op de **Menu toets** en vervolgens op de **TUNING toetsen** (◀◀ of ▶▶) tot de display “System” toont.
3. Druk op de **Select/info toets**; druk vervolgens op de **TUNING toetsen** (◀◀ of ▶▶) tot de display “Reset” toont.
4. Druk op de **Select/info toets**; “Reset? <No> Yes” wordt getoond.
5. Druk op de de **TUNING toetsen** (◀◀ of ▶▶) om “Yes” te selecteren indien u de radio wilt resetten, indien dit niet het geval is kies “No” .
6. Druk op de **Select/info toets** om uw keuze te bevestigen.
7. Een volledige reset wordt uitgevoerd. Het voorkeuze-geheugen wordt gewist en alle instellingen terug gezet naar de zogenaamde “Fabrieksinstellingen”. De display zal “WELCOME TO DIGITAL RADIO” aangeven en automatisch het DAB- en FM- frequentiebereik opnieuw scannen.

In geval van storing ten gevolge van electro-statische ontlading, reset de radio als hierboven beschreven. Als dat niet werkt verwijder de stroomadapter uit het stopcontact evenals de batterijen en sluit deze daarna weer aan.

DISPLAY VERLICHTING

LCD display verlichting instellen

1. Druk op de **Aan/Uit toets** om de radio in te schakelen.
2. Druk op de **Menu-toets**, en dan de **TUNING toetsen** (◀◀ of ▶▶) tot “System“ wordt getoont in de display.
3. Druk op de **Select/Info toets** en dan de **TUNING toetsen** (◀◀ of ▶▶) tot “LCD Backlight“ wordt getoont in de display.
4. Druk op de **Select/Info toets** om toegang te krijgen tot het LCD display verlichting menu.
5. Druk op de **TUNING toetsen** (◀◀ of ▶▶) om “on” te selecteren, deze instelling laat de LCD display verlichting altijd aan wanneer de radio is aangesloten op het stroomnet.
6. Of druk op de **TUNING toetsen** (◀◀ of ▶▶) om “of” (standaard), te selecteren, met deze instelling blijft de LCD display verlichting 10 seconden aan nada teen knop is ingedrukt wanneer deze is aangesloten op het stroomnet.
7. Druk op de **Select/Info toets** om de keuze te bevestigen.

Opmerking: De LCD display verlichting instelling „on” is alleen van toepassing wanneer de radio is aangesloten op het stroomnet. Wanneer de radio speelt op batterijen zal de instelling automatisch naar „off” gaan, waarbij de LCD display verlichting 10 seconden aan gaat nadat een knop is ingedrukt. Wanneer de radio weer wordt aangesloten op het stroomnet zal de laatst ingestelde instelling worden gebruikt.

TOETSBLOKKERING FUNCTIE

De radio ondersteunt Toetsblokkering functie in Standby, DAB, FM, Bluetooth en Aux-in modus.

1. Druk op de **Audiobron keuzetoets (Source)** en houdt deze ongeveer 3 seconden ingedrukt. “Locked” wordt getoond in het display. De functie is ingeschakeld.
2. Wanneer de Toetsblokkering functie in gebruik is, wordt de bediening van de radio tijdelijk uitgeschakeld tot de Toetsblokkering functie weer wordt uitgeschakeld. Het indrukken van een toets laat de display tijdelijk oplichten en in het display wordt “Locked” weergegeven.
3. Om uit te schakelen druk op de **Audiobron keuzetoets (Source)** en houdt deze wederom ongeveer 3 seconden ingedrukt, op het display wordt nu “Unlocked” weergegeven, en de Toetsblokkering functie is uitgeschakeld.

Opmerking: Wanneer de radio in standby modus is en speelt op batterijen, zullen sommige knoppen niet oplichten om energie te besparen.

GARANTIE

Dit product heeft twee jaar garantie.


WAARSCHUWING DE GARANTIE VERVALT INDIEN DE BEHUIZING VAN HET APPARAAT GEOPEND IS OF INDIEN HET APPARAAT DOOR DE EINDGEBRUIKER OP ENIGERLEI WIJZE GEMODIFICEERD OF VERANDERD IS.

De voorwaarden van de garantie van deze radio dekken niet de volgende zaken:

- Schade, beschadigingen en breuk veroorzaakt door verkeerd gebruik, misbruik, verwaarlozing, wijzigingen, ongevallen of ongeautoriseerde reparaties.
- Normale gebruiksslijtage.
- Het breken of buigen van de antenne.
- Batterijen.

INFORMATIE

Stroombronnen

Netstroom adapter AC/DC Input: 110-240V 50/60Hz AC~, Output: 12V DC  2A
Batterijen 6 x 1,5V (Type IEC LR6 / AM3 / AA maat)
Oplaadbare batterijen 6 x 1,2V (Type HR06 / AA maat / 2500mAh NiMH oplaadbare batterij) Het wordt sterk aanbevolen om de passende Perfectpro batterijen te gebruiken.

Frequentiebereik

FM 87.5 – 108 MHz
DAB 174,928 – 239,200 MHz

Specificaties

Luidspreker 1 x Ø2 1/4 inch
Uitgangsvermogen 1 x 5W
Aux In Ingang Ø3.5 mm

Bluetooth

Version 4.0 Ondersteuning voor Bluetooth profielen A2DP, AVRCP en HFP

INFORMATIE

Technische data



Dit apparaat is ontstoord volgens de geldende EU-richtlijnen.
Dit product voldoet aan de Europese richtlijnen 2006/95/EG, 2005/32/EG en 2004/108/EG.
Dit apparaat voldoet aan de regelgeving inzake veiligheid DIN EN 60065 (VDE 0860) en dus de internationale regelgeving inzake veiligheid IEC 60065.
Open nooit de behuizing van het apparaat. De fabrikant aanvaardt geen aansprakelijkheid voor schade als gevolg van onjuiste behandeling.
Het typeplaatje bevindt zich aan de zijkant van het apparaat.

Opmerking over milieubescherming



Dit product werd van kwalitatief hoogwaardige onderdelen en materialen vervaardigd die opnieuw gebruikt en gerecycled kunnen worden.
Verwijder dit product daarom aan het eind van zijn leven niet met het normale huisvuil. Breng het naar een verzamelplaats voor het recyclen van elektronische en elektrische apparaten. Hierop wordt door dit symbool op het product, in de gebruikershandleiding en op de verpakking gewezen. Informeer u over verzamelplaatsen bij de gemeentelijke instanties.
Help door het recyclen van niet meer te gebruiken producten mee aan de bescherming van het milieu

INHALTSVERZEICHNIS

INHALTSVERZEICHNIS.....	1
WICHTIGE ALLGEMEINE SICHERHEITSHINWEISE.....	2
GERÄTEÜBERSICHT.....	3
STROMVERSORGUNG.....	5
ALLGEMEINE FUNKTIONEN.....	7
ERSTMALIGER GEBRAUCH DES RADIOS.....	8
DAB-MODUS.....	9
UKW-MODUS.....	12
LIEBLINGSENDER.....	14
BLUETOOTH.....	15
AUX-IN-MODUS.....	18
UHRZEIT MANUELL EINSTELLEN.....	18
TON.....	20
SPRACHEINSTELLUNGEN.....	21
SOFTWARE-VERSION.....	21
SYSTEMRÜCKSTELLUNG.....	22
TASTENSPERRE.....	23
HINTERGRUNDBELEUCHTUNG.....	23
GARANTIE.....	24
INFORMATIONEN.....	25

WARNUNG! DIE GARANTIE WIRD NICHTIG, FALLS DAS GEHÄUSE DES GERÄTS GEÖFFNET ODER DAS ORIGINALGERÄT MODIFIZIERT ODER VERÄNDERT WURDE

WICHTIGE ALLGEMEINE SICHERHEITSHINWEISE

1. Lesen Sie diese Anleitungen.
2. Bewahren Sie diese Anleitungen auf.
3. Beachten Sie alle Warnhinweise.
4. Befolgen Sie alle Anleitungen.
5. Reinigen Sie das Gerät nur mit einem trockenen Tuch.
6. Blockieren Sie keine Lüftungsöffnungen. Installieren Sie das Gerät entsprechend den Anleitungen.
7. Installieren Sie das Gerät nicht in unmittelbarer Nähe von Wärmequellen wie Heizkörpern, Heizungen, Herden oder anderen Geräten (einschließlich Verstärker), die Wärme erzeugen.
8. Benutzen Sie nur vom Hersteller empfohlenes Zubehör.
9. Gerät nur mit einem Wagen, Stand, Stativ, Träger oder Tisch verwenden, der vom Hersteller empfohlen oder mit dem Gerät verkauft worden ist. Eine Kombination aus Gerät und Wagen muss vorsichtig bewegt werden, damit sie nicht umkippt.
10. Ziehen Sie während eines Gewitters und bei längerer Nichtbenutzung den Netzstecker.
11. Wenden Sie sich an einen autorisierten Kundendienst, wenn Netzkabel oder Stecker beschädigt sind, wenn Flüssigkeiten oder Fremdkörper in das Gerät eingedrungen sind, wenn das Gerät Regen oder Wasser ausgesetzt war, wenn das Gerät nicht normal funktioniert oder fallen gelassen wurde.
12. Zur Vermeidung von Feuer und Stromschlag setzen Sie das Gerät nicht Regen oder Feuchtigkeit aus.
13. Nehmen Sie die Verkleidung nicht ab, es befinden sich keine vom Verbraucher wartbaren Teile im Gerät.
14. Stellen Sie keine offenen Flammen auf dem Gerät ab.
15. Bei Benutzung im Freien benutzen Sie zur Vermeidung von Stromschlag an Regentagen oder bei feuchtem Wetter nur Batterien. Zur Vermeidung von Stromschlag müssen, falls das Radio Regen oder Wasser ausgesetzt war, Netzkabel und Stecker vollständig austrocknen, bevor wieder ein Anschluss am Stromnetz vorgenommen wird.
16. Die Steckdose sollte sich in unmittelbarer Nähe des Geräts befinden, um es im Notfall durch Ziehen des Netzsteckers von Stromnetz trennen zu können.
17. Das Typenschild befindet sich auf der Seite des Geräts.
18. Das Gerät ist staub- und spritzwassergeschützt (IP45).
19. Falls das Gerät aufgrund elektrostatischer Entladung oder schneller Stoßspannung nicht mehr ordnungsgemäß funktioniert, trennen Sie das Gerät vom Netz und entnehmen Sie alle Batterien.
20. Benutzen Sie nur das mitgelieferte Netzteil:
ATL Modell: DCL25AF-120200
Eingang: AC 110-240 V, 50/60





022
D-Dis
Lantstäm

STROMVERSORGUNG

Netzbetrieb (AC)

1. Überprüfen Sie vor dem Anschluss des AC/DC Netzadapters, dass die Spannung geeignet ist und dass der **Batterieladeschalter** auf der richtigen Position steht: **ALKALINE OFF** für den Gebrauch ohne Batterien oder mit Alkalibatterien / **NiMH ON** für den Gebrauch mit wiederaufladbaren NiMH-Batterien.
2. Falls Sie Alkalibatterien verwenden und der **Batterieladeschalter** auf der Position **ALKALINE OFF** steht, wird der Batteriebetrieb automatisch unterbrochen, sobald Sie das Gerät per Netzstrom betreiben.
3. Falls Sie wiederaufladbare NiMH-Batterien verwenden und der **Batterieladeschalter** auf der Position **NiMH ON** steht, wird der Batteriebetrieb automatisch unterbrochen, sobald Sie das Gerät per Netzbetrieb betreiben.
4. Verwenden Sie den AC/DC Netzadapter nicht bei Regen oder in feuchten Umgebungen, um Kurzschlüsse zu vermeiden und damit keine Feuchtigkeit in das Radio eindringen kann. Verwenden Sie das Gerät unter solchen Bedingungen nur mit Batterien und halten Sie die Gummiabdeckung geschlossen.

Hinweis:

Um das Gerät vollständig von der Netzstromversorgung zu trennen, muss der Netzadapter ganz aus der Steckdose gezogen werden. Der Netzadapter muss immer betriebsbereit sein und darf während des bestimmungsgemäßen Gebrauchs nicht blockiert werden.

Falls das Gerät aufgrund elektrostatischer Entladung oder schneller Stoßspannung nicht mehr ordnungsgemäß funktioniert, trennen Sie das Gerät vom Netz und entnehmen Sie alle Batterien. Legen Sie dann die Batterien erneut ein und schließen Sie das Gerät wieder ans Netz an.

Batteriebetrieb

1. Öffnen Sie das Batteriefach, indem Sie den gummierten Standfuß an der Unterseite des Geräts links herum abdrehen.
2. Lösen Sie die Schraube in der Abdeckung des Batteriefachs, indem Sie diese links herum herausdrehen.
3. Beachten Sie beim Einlegen der Batterien die Polaritätsmarkierungen (+ und -) im Gerät. Legen Sie Alkalibatterien (6 x 1,5V Typ IEC LR6 / AM3 / Größe AA) oder wiederaufladbare NiMH-Batterien (6 x 1,2V wiederaufladbarer PerfectPro Akku, Größe AA / HR6 / 2500mAh) der Polarität entsprechend in das Batteriefach ein.
4. Schließen Sie die Abdeckung des Batteriefachs und ziehen Sie die Schraube fest.
5. Stellen Sie den **Batterieladeschalter** im Batteriefach gemäß der eingelegten Batterien auf die entsprechende Position (**ALKALINE OFF** oder **NiMH ON**).

6. Falls Sie NiMH-Batterien verwenden, stellen Sie den Batterieladeschalter auf die Position **NiMH ON**. Die Batterien werden aufgeladen, solange das Radio ans Netz angeschlossen ist. Während des Ladevorgangs erscheint im LCD-Display ein animiertes Batteriesymbol. Diese Animation und der Ladevorgang werden beendet, sobald die Batterien vollständig geladen sind.
7. Falls Sie Alkalibatterien verwenden, stellen Sie den **Batterieladeschalter** auf die Position **ALKALINE OFF**. Alkalibatterien werden nicht aufgeladen.
8. Verschließen Sie den gummierten Standfuß, damit weder Feuchtigkeit noch Staub in das Batteriefach eindringen können. Schrauben Sie den Standfuß rechts herum an das Gerät an.
9. Falls Sie das Gerät über einen längeren Zeitraum nicht verwenden werden, sollten Sie die Batterien aus dem Radio nehmen.

Das Batteriesymbol (insgesamt 4 Stufen) im LCD-Display zeigt den ungefähren Batteriestatus an. Falls der Batteriestatus sehr niedrig ist, erscheint im Display die Anzeige „Batt. Low!“. In solch einem Fall laden oder ersetzen Sie die Batterien möglichst bald, um den normalen Betrieb des Radios fortzusetzen.

Warnung:

Werden Batterien falsch eingelegt, besteht Explosionsgefahr. Ersetzen Sie Batterien nur durch solche des gleichen Typs.

Sorgen Sie dafür, dass der Batterieladeschalter immer auf der richtigen Position steht.

Alkalibatterien sind nicht wiederaufladbar. Versuchen Sie niemals, Alkalibatterien aufzuladen.

Mischen Sie nicht unterschiedliche Batterietypen.

Verwenden Sie volle Batterien nicht zusammen mit leeren Batterien.

Schützen Sie Batterien vor übermäßiger Hitze wie Sonneneinstrahlung, Feuer oder ähnlichem.

Batterien dürfen nicht verbrannt oder über den normalen Haushaltsmüll entsorgt werden. Entsorgen Sie Batterien, sofern möglich, an entsprechenden Recyclingstellen.

WICHTIGE INFORMATIONEN ZUM AUFLADEN UND GEBRAUCH VON WIEDERAUFLADBAREN BATTERIEN

1. **Laden Sie Batterien mindestens alle 2 Monate auf.**
2. Der Batterieladeschalter neben dem Batteriefach muss auf der Position „CHARGE / NiMH ON“ stehen.
3. **Legen Sie die Batterien unter Berücksichtigung der richtigen Polarität ein (+ und -).**
4. **Erstmaliger Gebrauch: Laden Sie die Batterien mit einem kontinuierlichen, ununterbrochenen Ladevorgang, bis sie voll sind.** Das erstmalige Aufladen kann länger als normale Ladezyklen dauern. Im Hinblick auf eine lange Lebensdauer der Batterien sollten Sie Batterien immer mit einem kontinuierlichen und ununterbrochenen Ladevorgang aufladen, bis sie voll sind und nicht erneut aufladen, solange die Batterien noch voll sind.

5. Neue Batterien erreichen ihre vollständige Kapazität erst nach einiger Zeit (mehrere Lade- und Entladezyklen).
6. Belassen Sie alle Batterien im Radio und entnehmen Sie diese oder einige davon nicht für andere Zwecke. Anderenfalls werden volle und (halb) leere Batterien miteinander vermischt, wodurch die Batterien oder das Radio ernsthaft beschädigt werden könnten.
7. Sie sollten Batterien nur bei Raumtemperatur zwischen 5 Grad und 35 Grad Celsius aufladen. Bei niedrigeren oder höheren Temperaturen kann keine vollständige Ladung erreicht werden.
8. Je nach Kapazität der Batterien kann ein vollständiger Ladevorgang (von „leer“ bis „voll“) einige Stunden dauern.
9. Laden Sie Batterien nicht auf, wenn das Radio heiß ist oder Wärme bzw. Wärmequellen ausgesetzt ist.
10. Reinigen Sie die Metallkontakte der Batterien und des Ladegeräts im Inneren des Radios von Zeit zu Zeit, z.B. mit einem Kontaktspray.
11. Mischen Sie nicht alte und neue Batterien.
12. Verwenden Sie normale und wiederaufladbare Batterien nicht gemeinsam.
13. Verwenden Sie volle wiederaufladbare Batterien nicht zusammen mit leeren.
14. Verwenden Sie nicht Batterien unterschiedlicher mAh-Kapazität.
15. Verwenden Sie keine beschädigten, verformten oder auslaufenden Batterien.
16. Die Batteriestatusanzeige entspricht einer Schätzung und kann je nach Batterietyp variieren.
17. Batterien können während des Ladevorgangs heiß werden.
18. Unter kalten Bedingungen ist die Kapazität von Batterien viel niedriger als bei normaler Raumtemperatur.
19. Batterien (auch falls im Lieferumfang enthalten) sind Verbrauchsgüter und fallen nicht unter die Garantiebestimmungen für das Radio.
20. Wir empfehlen den Gebrauch von wiederaufladbaren PerfectPro Batterien, da das Radio und das Ladegerät für diese Art von Batterien entwickelt wurden.

ALLGEMEINE FUNKTIONEN

1. **Ein- und ausschalten**
Drücken Sie die **Ein-/Ausschalttaste**, um das Gerät ein- oder in Standby umzuschalten.
2. **Umschalten zwischen den Modi DAB / UKW / Bluetooth / AUX-IN**
Mit der Taste **SOURCE** schalten Sie zwischen den einzelnen Modi um.
3. **Radiosender einstellen**
Mit den Tasten **TUNING** ◀◀ und ▶▶ stellen Sie Radiosender ein.

4. **Lautstärke einstellen**
Stellen Sie die Lautstärke mit den Tasten **VOLUME** + und - ein.
5. **Ton einstellen**
Drücken Sie **TONE** und stellen Sie die Hoch- und Tieftöne mit den Tasten **VOLUME** + und - ein.
6. **Gerät per Bluetooth mit einem Handy koppeln**
Wählen Sie in der Bluetooth-Einstellung an Ihrem Handy das Gerät „**PP Handsfree**“.
7. **Im Bluetooth-Modus Musik von einem Handy abspielen**
Verwenden Sie dafür den Media Player Ihres Handys.
8. **Im Bluetooth-Modus Musik auf einem gekoppelten Handy über DigiTube abspielen**
Drücken Sie **SELECT** für Wiedergabe/Pause und B ◀◀ und ▶▶ zur Auswahl der vorhergehenden oder nächsten Titel.
9. **Eingehende Anrufe mit dem DigiTube Radio annehmen**
Drücken Sie **PHONE (Hörer-Symbol)**, um einen Anruf anzunehmen oder zu beenden.
10. **Im Bluetooth-Modus die zuletzt angerufene Nummer erneut wählen**
Halten Sie **PHONE (Hörer-Symbol)** länger als 2 Sekunden gedrückt.
11. **Funktion des AUX-EINGANGS**
Schließen Sie den Audioausgang eines externen Audiogeräts an den Ø3,5mm AUX-EINGANG des Radios an, um Musik des externen Geräts abzuspielen.

ERSTMALIGER GEBRAUCH DES RADIOS

1. Legen Sie die Batterien ein und stellen Sie das Radio auf einen flachen Untergrund.
2. Schließen Sie das Netzteil gegebenenfalls an eine Steckdose an.
3. Ziehen Sie die Antenne hinten am Gerät vorsichtig aus. Richten Sie die Antenne vertikal über dem Radio aus.

- Das Radio wird eingeschaltet und im Display erscheint einige Sekunden lang die Anzeige „WELCOME“. Das Radio sucht dann automatisch nach Sendern der Band III DAB und UKW Frequenzbänder. Die Anzeige „Scanning“ erscheint im DAB-Modus und „Auto“ im UKW-Modus.
- Nach dem Scan werden die 10 stärksten UKW-Sender als Favorit gespeichert und die verfügbaren DAB-Sender erscheinen in der Senderliste. Das Radio geht nun in den Standby-Modus über und im Display werden die aktualisierte Uhrzeit und das Datum angezeigt.
- Werden keine Signale gefunden, wird die Uhrzeit nicht aktualisiert. Stellen Sie das Radio gegebenenfalls an einen anderen Ort mit besserem Empfang.

DAB-MODUS (DAB – DAB+)

Radiobetrieb – DAB

- Ziehen Sie die Antenne vorsichtig aus. Drücken Sie die **Ein-/Ausschalttaste**, um das Radio einzuschalten.
- Stellen Sie mit der Taste **SOURCE** das Frequenzband DAB ein.
- Der erste gefundene Sender der Senderliste wird wiedergegeben. Im Display erscheint der Sendername. Falls Sie das Radio bereits früher verwendet haben, schaltet das Gerät den zuletzt angehörten Sender ein.
- Werden keine DAB-Signale empfangen, erscheint im Display die Anzeige „No stations“. Stellen Sie das Gerät gegebenenfalls an einen anderen Ort mit besserem Empfang. Führen Sie dann eine automatische Sendersuche durch, siehe Abschnitt „**Neue Sender auffinden - DAB**“.

Sender einstellen – DAB

- Schalten Sie das Radio mit der **Ein-/Ausschalttaste** ein. Im Display erscheinen einige Sekunden lang die Anzeigen „Connecting“ und „Playing“.
- Stellen Sie mit der Taste **SOURCE** das Frequenzband DAB ein.
- Im Display erscheint einige Sekunden lang die Anzeige „Now tuning“.
- Im Display erscheint der Name des aktuellen Radiosenders.
- Scrollen Sie mit den Tasten **TUNING** ◀◀ oder ▶▶ durch die Liste der verfügbaren Sender.
- Wenn der von Ihnen gewünschte Name im Display erscheint, drücken Sie SELECT, um den Sender wiederzugeben.

Hinweis: Falls nach der Auswahl eines Senders im Display die Anzeige „No stations“ erscheint, ist es eventuell erforderlich, das Radio an einen anderen Ort mit besserem Empfang zu stellen.

Anzeigeoptionen – DAB

Im DAB-Modus kann das Radio eine Vielzahl von Informationen anzeigen. Drücken Sie die Taste **INFO**, um durch die unterschiedlichen Anzeigeoptionen zu scrollen.

- | | |
|--------------------------|---|
| a. Lauftext | Anzeige von Lauftexten, z.B. Senderinfos, Interpret/Titelname, Hotline, usw. |
| b. Signalstärke | Anzeige der aktuellen Signalstärke. Das leere Rechteck weist auf die Mindestsignalstärke hin, die für einen zufriedenstellenden Empfang erforderlich ist. |
| c. Programmtyp | Anzeige des aktuellen Sendertyps, z.B. Pop, Klassik, Nachrichten, usw. |
| d. Multiplex-Name | Anzeige des Multiplex-Namens, zu dem der aktuelle Sender gehört. |
| e. Sender & Frequenz | Anzeige der Sendernummer und Frequenz des aktuell eingestellten DAB-Senders. |
| f. Bitrate & Audioformat | Anzeige von digitaler Audio-Bitrate und Audioformat. |
| g. Uhrzeit & Datum | Anzeige von aktueller Uhrzeit und Datum. |

Neue Sender auffinden – DAB

Von Zeit zu Zeit wird es neue Sender geben. Suchen Sie Sender wie folgt:

- Drücken Sie im DAB-Modus die Taste **MENU**. Im Display erscheint die Anzeige „Full scan“.
- Drücken Sie **SELECT**. Das Radio führt einen Scan aller Band III DAB-Kanäle durch. Wenn neue Sender gefunden werden, erhöht sich die Zähleranzeige rechts im Display und die neuen gefundenen Sender werden der Senderliste des Radios hinzugefügt.

Manuelle Sendersuche – DAB

Alternativ haben Sie die Möglichkeit, manuell nach Sendern zu suchen. Anstatt das gesamte Band III automatisch zu scannen, können Sie einen Ihnen bekannten DAB-Sender direkt einstellen und alle mit diesem Sender verfügbaren Multiplex-Namen in der Senderliste speichern.

1. Drücken Sie im DAB-Modus die Tasten **MENÜ** und **TUNING ◀◀ oder ▶▶** , bis im Display die Anzeige „Manual Tune“ erscheint. Drücken Sie dann **SELECT**. Im Display werden der DAB-Sender und die Frequenz angezeigt.
2. Wählen Sie mit **TUNING ◀◀ oder ▶▶** den gewünschten Kanal oder die Frequenz aus. Drücken Sie **SELECT**, um den ausgewählten Kanal einzuschalten.
3. Wenn auf dem eingestellten Kanal ein DAB-Sender verfügbar ist, wird dessen Name im Display angezeigt. Alle neu gefundenen Sender werden der Senderliste des Radios hinzugefügt.
4. Die im Display angezeigte Signalstärke spiegelt die Empfangsqualität des Senders wider. Das leere Rechteck weist auf die Mindestsignalstärke hin, die für einen zufriedenstellenden Empfang erforderlich ist. Wenn Sie die Antenne ausrichten oder das Radio umstellen, verändert sich die Signalanzeige mit der Signalstärke.
5. Wiederholen Sie die Schritte 1 bis 4, um weitere Kanäle zu suchen.
6. Drücken Sie die Taste **MENU** zweimal, um die manuelle Sendersuche zu beenden und zum normalen DAB-Betrieb zurückzukehren.

Dynamikbereich-Einstellungen (DRC) – DAB

Die Einstellung des Dynamikbereichs kann leise Töne besser hörbar machen, wenn Sie das Radio in einer lauten Umgebung benutzen.

1. Drücken Sie im DAB-Modus die Tasten **MENU** und **TUNING ◀◀ oder ▶▶** , bis im Display die Anzeige „DRC value“ erscheint. Drücken Sie dann **SELECT**.
2. Drücken Sie **TUNING ◀◀ oder ▶▶** , um die gewünschte DRC-Einstellung auszuwählen (AUS ist die Standardeinstellung).
 DRC off DRC ist deaktiviert, übertragene DRC-Einstellung wird ignoriert.
 DRC high DRC ist aktiviert und entspricht der Einstellung der Sendung.
 DRC low DRC beträgt 1/2 der Einstellung der Sendung.
3. Bestätigen Sie Ihre Einstellungen mit der Taste **SELECT**. Das Display kehrt zur normalen Anzeige zurück.

Hinweis: Nicht alle DAB-Sendungen unterstützen die DRC-Funktion. Bei Sendungen, die DRC nicht unterstützen, sind die DRC-Einstellungen des Radios ohne Effekt.

Sender löschen – DAB

Falls Sie umziehen, werden einige der Sender in der Liste möglicherweise nicht mehr empfangen. Einige DAB-Dienste werden im Laufe der Zeit auch aufgegeben oder ändern ihren Standort oder ihre Frequenz. Zum Entfernen solcher DAB-Sender von der Senderliste können Sie diese DAB-Sender löschen.

1. Drücken Sie im DAB-Modus die Tasten **MENU** und **TUNING ◀◀ oder ▶▶** , bis im Display die Anzeige „Prune“ erscheint. Drücken Sie dann **SELECT**.
2. Wählen Sie mit den Tasten **TUNING ◀◀ oder ▶▶** die Option „Yes“ oder „No“ (No ist Standardeinstellung). Wählen Sie „Yes“, um diese Funktion zu aktivieren, oder wählen Sie anderenfalls „No“.
3. Drücken Sie **SELECT** zum Bestätigen Ihrer Einstellung. Das Display kehrt zum letzten Menü zurück. Drücken Sie **MENU**, um zur normalen Radioanzeige zurückzukehren.

Hinweis: Wenn Sie Ihr Radio an einem anderen Standort verwenden, sollten Sie eine neue Suche nach Radiosendern durchführen (siehe Abschnitt „Neue Sender auffinden – DAB“).

UKW-MODUS

Radiobetrieb – Sendersuche UKW

1. Schalten Sie das Radio mit der **Ein-/Ausschalttaste** ein.
2. Stellen Sie mit der Taste **SOURCE** den Modus **FM RADIO** ein.
3. Schalten Sie den UKW-Modus zum ersten Mal ein, wird der voreingestellte Sender auf Speicherplatz 1 abgespielt. Wurde das Radio bereits früher benutzt, wird der zuletzt angehörte Sender eingeschaltet.
4. Drücken Sie **TUNING ◀◀ oder ▶▶** , um die Sendersuche zu starten. Die Suche wird automatisch unterbrochen, sobald das Radio einen Sender mit ausreichender Signalstärke gefunden hat.
5. Nach einigen Sekunden wird das Display aktualisiert. Liegen RDS-Daten vor, wird der Sendername angezeigt.
6. Drücken Sie **TUNING ◀◀ oder ▶▶** erneut, um weitere Sender zu suchen.
7. Wenn Sie Sender in entgegengesetzter Richtung suchen möchten, drücken Sie **TUNING ▶▶** , um von den niedrigen zu den hohen Frequenzen zu suchen, oder drücken Sie **TUNING ◀◀** , um von den hohen zu den niedrigen Frequenzen zu suchen.
8. Am Ende des Wellenbands setzt das Radio die Suche am anderen Ende des Wellenbands fort.

Manuelle Sendersuche – UKW

1. Schalten Sie das Radio mit der **Ein-/Ausschalttaste** ein.
2. Stellen Sie mit der Taste **SOURCE** den UKW-Modus ein.
3. Drücken Sie **TUNING ◀◀ oder ▶▶**, um einen UKW-Sender einzustellen. Die Frequenz ändert sich in Schritten von 50 kHz.
4. Richten Sie die Gummiantenne für einen optimalen Empfang aus. Falls das Radio einen Sender mit ausreichender Signalstärke und mit verfügbaren RDS-Daten empfängt, dann erscheint im Display der Sendername.
5. Am Ende des Wellenbands setzt das Radio die Suche am anderen Ende des Wellenbands fort.

RDS-Optionen – UKW

RDS (Radio Data System) ist ein System, bei dem nicht hörbare digitale Informationen zusätzlich zum normalen UKW-Radioprogramm übertragen werden. Falls das Radio einen RDS-Sender mit ausreichender Signalstärke empfängt, erscheint der Sendername im Display. Es kann einige Zeit dauern, bis die RDS-Daten übertragen werden.

RDS-Optionen aufrufen

Drücken Sie, wenn Sie einen UKW-Sender mit RDS-Daten anhören, wiederholt die Taste **SELECT-NFO**, um durch die Daten zu scrollen. Dies funktioniert nur, wenn das Signal stark genug und klar ist.

- | | |
|----------------------|---|
| a. Sendername (PS) | Anzeige des aktuellen Sendernamens. |
| b. Radiotext (RT) | Anzeige der Nachricht über den aktuell eingestellten Sender als Lauftext. |
| c. Programmtyp (PTY) | Anzeige des jeweiligen Sendertyps, z.B. Pop, Klassik, Nachrichten, usw. |
| d. Frequenz | Anzeige der Frequenz des aktuell eingestellten Senders. |
| e. Stereo oder Mono | Anzeige von Mono oder Stereo. |
| f. Signalstärke | Anzeige der Signalstärke. |
| g. Uhrzeit & Datum | Anzeige von Uhrzeit (24-Stundenformat) und Datum. |

Empfindlichkeit der Sendersuche – UKW

Das Radio sucht normalerweise alle UKW-Sender einschließlich solcher mit schwächerem Signal. Sie können die automatische Sendersuche jedoch auch benutzen, um nur Sender zu finden, deren Signal stark genug für einen guten Empfang ist.

1. Schalten Sie das Radio mit der **Ein-/Ausschalttaste** ein.
2. Stellen Sie mit der Taste **SOURCE** den UKW-Modus ein.
3. Drücken Sie **MENU**. Im Display erscheint „Scan“.
4. Drücken Sie **SELECT**.
5. Drücken Sie **TUNING ◀◀ oder ▶▶** zur Auswahl von „All“ oder „Strong“ („Strong“ ist die Standardeinstellung). Mit der Option „Strong“ sucht das Radio nur nach Sendern mit starkem Signal.
6. Drücken Sie **SELECT** zur Bestätigung Ihrer Einstellungen. Das Display kehrt zur normalen Radioanzeige zurück.

LIEBLINGSENDER

Sender als Favorit speichern

Sie können bis zu 20 Radiosender speichern – 10 DAB-Sender und 10 UKW-Sender. Die Speichereinstellungen werden auch bei einem Stromausfall beibehalten.

1. Schalten Sie das Radio mit der **Ein-/Ausschalttaste** ein.
2. Stellen Sie mit **SOURCE** das gewünschte Wellenband ein.
3. Stellen Sie den gewünschten Radiosender ein.
4. Drücken Sie (1 sec.) **MENU-PRESET**, bis im Display „Preset“ erscheint.
5. Wählen Sie mit **TUNING ◀◀ oder ▶▶** den gewünschten Speicherplatz (P1 bis P10).
6. Drücken Sie (1 sec.) **SELECT-INFO**; im Display erscheint als Bestätigung „Saved“.
7. Wiederholen Sie die Schritte 3 bis 6, um weitere Sender zu speichern.
8. Bereits gespeicherte Sender können durch Befolgen obiger Vorgehensweise überschrieben werden.

Gespeicherte Radiosender einschalten

1. Schalten Sie das Radio mit der **Ein-/Ausschalttaste** ein.
2. Stellen Sie mit **SOURCE** das gewünschte Wellenband ein.
3. Drücken Sie (1 sec.) **MENU-PRESET**, bis im Display die Anzeige „Preset“ erscheint. Das Display zeigt die Senderfrequenz und die Nummer des Speicherplatzes an.
4. Wählen Sie mit **TUNING ◀◀ oder ▶▶** den bevorzugten Sender aus und bestätigen Sie mit **SELECT-INFO**.

BLUETOOTH

Per Bluetooth mit einem Handy koppeln

1. Schalten Sie das Radio mit der **Ein-/Ausschalttaste** ein.
2. Stellen Sie mit **SOURCE** den Bluetooth-Modus ein.
3. Die blaue **Bluetooth LED-Verbindungsanzeige** an der Vorderseite blinkt, falls das **DigiTube** Radio noch nicht mit Ihrem Handy gekoppelt wurde.
4. Öffnen Sie an Ihrem Handy das Einstellungsmenü und wählen Sie die Bluetooth-Option. Wählen Sie in der Bluetooth-Geräteliste „**PP-DigiTube**“. Die Bluetooth-Anleitungen können je nach Handy variieren. Informieren Sie sich in der Bedienungsanleitung Ihres Handys entsprechend).
5. Nach der erfolgreichen Bluetooth-Kopplung hört die **Bluetooth LED-Verbindungsanzeige** auf zu blinken und im Display erscheint die Anzeige „Bluetooth Connected“.

Musik von Ihrem Handy abspielen

1. Schalten Sie das Radio mit der **Ein-/Ausschalttaste** ein.
2. Stellen Sie mit **SOURCE** den Bluetooth-Modus ein.
3. Öffnen Sie an Ihrem gekoppelten Handy den Media Player und starten Sie die Wiedergabe.
4. Sie können die Wiedergabe direkt am Handy oder mit den Tasten **◀◀ oder ▶▶** am DigiTube Radio steuern. Drücken Sie **SELECT-INFO** für Wiedergabe/Pause.

Eingehende Anrufe über das DigiTube Radio annehmen

Die Freisprecheinrichtung erlaubt Ihnen, während des Betriebs im Bluetooth-, DAB-, UKW- oder AUX- Modus eingehende Anrufe entgegenzunehmen.

1. Drücken Sie **PHONE (Hörer-Symbol)** rechts am Gerät, um den Anruf anzunehmen.
2. Sprechen Sie in das Mikrofon (**MIC**) unterhalb der Taste **PHONE** des Radios.
3. Stellen Sie die Gesprächslautstärke mit den Tasten **VOLUME –** oder **+** ein. Ein mögliches Echo während des Gesprächs kann durch eine niedrigere Lautstärkeeinstellung reduziert werden.
4. Drücken Sie **PHONE (Hörer-Symbol)** erneut, um den Anruf zu beenden.

Hinweis: Der Klingelton ist während der ersten 20 Sekunden am lautesten. Anschließend wird die Lautstärke auf die vorher verwendete Einstellung zurückgesetzt. Durch Drücken der Tasten **VOLUME –** oder **+** oder der Taste **PHONE (Hörer-Symbol)** kehren Sie ebenfalls zur vorher verwendeten Lautstärkeeinstellung zurück.

Wahlwiederholung (an einem gekoppelten Handy)

Die Freisprecheinrichtung ermöglicht Ihnen, die mit Ihrem Handy zuletzt gewählte Nummer erneut zu wählen (nur im Bluetooth-Modus).

1. Schalten Sie das Radio mit der **Ein-/Ausschalttaste** ein.
2. Schalten Sie mit **SOURCE** den Bluetooth-Modus ein.
3. Halten Sie **PHONE (Hörer-Symbol)** rechts am Gerät länger als 2 Sekunden gedrückt, um die zuletzt gewählte Nummer an Ihrem Handy erneut zu wählen.
4. Stellen Sie die Lautstärke ggf. mit den Tasten **VOLUME –** oder **+** ein.
5. Drücken Sie **PHONE (Hörer-Symbol)** erneut, um den Anruf zu beenden.

Bluetooth-Optionen

Wählen Sie für die Bluetooth-Funktion eine der nachfolgenden Einstellungen:

1. Drücken Sie im Bluetooth-Modus die Taste **MENU**, um die Systemeinstellungen zu öffnen.
2. Drücken Sie **TUNING ◀◀ oder ▶▶**, bis „Bluetooth“ angezeigt wird. Drücken Sie dann **SELECT-INFO**.
3. Drücken Sie **TUNING ◀◀ oder ▶▶** zur Auswahl von „BT always on“, „BT mode only“ oder „Disconnect BT“ und drücken Sie **SELECT-INFO**, um die gewünschte Einstellung zu übernehmen.

- a. BT always on Bluetooth ist aktiviert, wenn das **DigiTube** Radio eingeschaltet ist. Sie können im Bluetooth-Modus Musik abspielen und in allen Betriebsmodi per Freisprecheinrichtung Anrufe annehmen, auch dann, wenn Sie Radio hören. Die blaue **Bluetooth LED-Verbindungsanzeige** leuchtet bei dieser Einstellung in allen Betriebsmodi (UKW, DAB, Bluetooth und AUX-IN).
- b. BT mode only Die Bluetooth-Funktion wird nur im Bluetooth-Modus aktiviert. Sie können nur im Bluetooth-Modus Musik abspielen und per Freisprecheinrichtung Anrufe annehmen.
Die blaue **Bluetooth LED-Verbindungsanzeige** leuchtet bei dieser Einstellung nur im Bluetooth-Modus.
- c. Disconnect BT Die Bluetooth-Verbindung mit Ihrem Handy wird getrennt und der „erkennbare Modus“ aktiviert (die blaue **Bluetooth LED-Verbindungsanzeige** blinkt solange, bis eine neue Verbindung hergestellt wird). In dieser Einstellung können Sie Ihr Radio mit einem anderen Gerät koppeln. Falls Sie kein neues Gerät koppeln, wird Bluetooth versucht, die Verbindung mit dem zuletzt gekoppelten Gerät herzustellen, wenn dieses aus- und wieder eingeschaltet wird.

Im Bluetooth-Modus wird der automatische Stromsparmmodus aktiviert. Wird innerhalb von 15 Minuten der Status „Not connected“ aktiviert, schaltet das Gerät automatisch den Standby-Modus ein. Drücken Sie die **Ein-/Ausschalttaste**, um das Gerät wieder einzuschalten.

Bluetooth-LED-Konfiguration

1. Schalten Sie das Radio mit der **Ein-/Ausschalttaste** ein.
2. Drücken Sie **MENU** und anschliessend **TUNING ◀◀ oder ▶▶** bis im Display die anzeige “System“ erscheint.
3. Drücken Sie **SELECT-INFO** und anschliessend **TUNING ◀◀ oder ▶▶** bis im Display die anzeige “Bluetooth LED“ erscheint.
4. Drücken Sie **SELECT-INFO** um das Menü für die Anpassung der Bluetooth-LED aufzurufen.
5. Drücken Sie **TUNING ◀◀ oder ▶▶** um “on” (Standard) auszuwählen, damit die Bluetooth-LED immer leuchtet, wenn eine Verbindung besteht.
6. Oder drücken Sie **TUNING ◀◀ oder ▶▶** um “off” auszuwählen, damit die Bluetooth-LED deaktiviert wird, wenn eine Bluetooth-Verbindung hergestellt wurde.
7. Drücken Sie **SELECT-INFO** um Ihre Auswahl zu bestätigen.

AUX-IN-MODUS

Unter der Gummiabdeckung an der Seite des Geräts befindet sich ein 3,5 mm Aux-In Stereoeingang, an den externe Audiogeräte wie z.B. MP3-Spieler oder CD-Spieler angeschlossen werden können (Aux-Kabel nicht im Lieferumfang enthalten).

1. Schließen Sie ein Audiogerät an den Aux-Eingang an.
2. Schalten Sie mit **SOURCE** den AUX-In-Modus ein. Im Display erscheint „AUX IN“.
3. Starten Sie die Wiedergabe am externen Gerät.
4. Stellen Sie sowohl am Radio als auch am externen Gerät die Lautstärke entsprechend ein.
5. Schließen Sie nach dem Gebrauch die Gummiabdeckung, damit weder Feuchtigkeit noch Staub in die Anschlüsse oder das Radio eindringen können.

Hinweise: Verwenden Sie den Aux-Eingang nicht bei Regen oder unter feuchten Bedingungen, damit keine Feuchtigkeit in das Radio eindringen kann. Halten Sie die Gummiabdeckung unter solchen Bedingungen gut verschlossen.

Im AUX-Modus wird der automatische Stromsparmmodus aktiviert. Erfolgt am Aux-Eingang innerhalb von 15 Minuten keine Signaleingabe*, schaltet das DigiTube Radio automatisch den Standby-Modus ein. Die Betriebsanzeige und das LCD erlöschen ebenfalls. Drücken Sie die **Ein-/Ausschalttaste**, um das Gerät wieder einzuschalten.

* Der Standby-Modus wird auch dann aktiviert, wenn das eingehende Signal vom externen Gerät zu schwach ist und vom Stromsparmmodus über einen Zeitraum von 15 Minuten nicht erkannt wird.
Um dies zu verhindern, erhöhen Sie den Ausgangspegel des externen Geräts entsprechend, um erkannt zu werden.

UHRZEIT MANUELL EINSTELLEN

Die Uhrzeit lässt sich nur manuell einstellen, wenn sich das Radio im Standby-Modus befindet. Wenn Sie innerhalb von 5 Sekunden keine Taste drücken, verlässt das Radio die Uhrzeiteinstellung und Ihre Einstellungen werden gelöscht.

1. Drücken Sie ca. 3 Sekunden **MENU** bis im Display die anzeige “CLOCK SET“ erscheint.
2. Drücken Sie **SELECT-INFO**. Die Stundenanzeige beginnt zu blinken.
3. Stellen Sie mit **TUNING ◀◀ oder ▶▶** die Stunden ein.

4. Drücken Sie **SELECT-INFO** zum Bestätigen. Die Minutenanzeige beginnt zu blinken.
5. Stellen Sie mit **TUNING** ◀◀ oder ▶▶ die Minuten ein.
6. Drücken Sie **SELECT-INFO** zum Bestätigen. Die Tagesanzeige beginnt zu blinken.
7. Stellen Sie mit **TUNING** ◀◀ oder ▶▶ das Datum ein.
8. Drücken Sie **SELECT-INFO** zum Bestätigen. Die Monatsanzeige beginnt zu blinken.
9. Stellen Sie mit **TUNING** ◀◀ oder ▶▶ den Monat ein.
10. Drücken Sie **SELECT-INFO** zum Bestätigen. Die Jahresanzeige beginnt zu blinken.
11. Stellen Sie mit **TUNING** ◀◀ oder ▶▶ das Jahr ein.
12. Drücken Sie **SELECT-INFO** zum Bestätigen. „Synclock on“ beginnt zu blinken.
13. Drücken Sie **TUNING** ◀◀ oder ▶▶ zur Auswahl von „Synclock on“ oder „Synclock off“.
14. Drücken Sie **SELECT-INFO** zum Bestätigen. Die Einstellung ist nun abgeschlossen.

Synchronisation der RDS-Zeit

Wenn Sie während der Einstellung der Uhrzeit die Option „Synclock on“ auswählen, wird die Uhrzeit automatisch aktualisiert. Die Synchronisation der Zeit kann einige Minuten dauern. Die automatische Uhrzeiteinstellung ist immer aktiviert, wenn Sie vom Standby-Modus aus UKW-Sender mit RDS-Übertragung einschalten. Bestätigen Sie Ihre Einstellungen mit **SELECT-INFO**.

ALARMEINSTELLUNGEN

Die Uhrzeit lässt sich nur manuell einstellen, wenn sich das Radio im Standby-Modus befindet. Wenn Sie innerhalb von 5 Sekunden keine Taste drücken, verlässt das Radio die Alarmeinrichtung und Ihre Einstellungen werden gelöscht.

1. Drücken Sie ca. 3 Sekunden **MENU** und anschliessend **MENU** bis im Display die Anzeige „ALARM SET“ erscheint.
2. Drücken Sie **SELECT-INFO**. Die Stundenanzeige beginnt zu blinken.
3. Stellen Sie mit **TUNING** ◀◀ oder ▶▶ die Stunden ein.
4. Drücken Sie **SELECT-INFO** zum Bestätigen. Die Minutenanzeige beginnt zu blinken.
5. Stellen Sie mit **TUNING** ◀◀ oder ▶▶ die Minuten ein.
6. Drücken Sie **SELECT-INFO** zum Bestätigen. „ALARM SOURCE“ erscheint im Display.
7. Drücken Sie **TUNING** ◀◀ oder ▶▶ zur Auswahl von „FM RADIO“, „BUZZER“ oder „DAB“.
8. Falls Sie „FM RADIO“ auswählen, wird zur programmierten Alarmzeit der zuletzt angehörte Sender eingeschaltet.

9. „VOL XX“ wird angezeigt. Stellen Sie mit **TUNING** ◀◀ oder ▶▶ die Lautstärke des Alarms ein.
10. Drücken Sie **SELECT-INFO** zum bestätigen. Die Einstellungen sind abgeschlossen.

Alarm ein-/ausschalten

1. Halten Sie **SELECT-INFO** 2 Sekunden lang gedrückt, um den Alarm zu aktivieren. Oben links im Display erscheint das Alarmsymbol.
2. Halten Sie **SELECT-INFO** erneut 2 Sekunden lang gedrückt, um den Alarm zu deaktivieren. Das Alarmsymbol verschwindet.
3. Wenn der Alarm ertönt, drücken Sie die **Ein-/Ausschalttaste**, um den Alarm auszuschalten.

VOLUME & SOUND

Stellen Sie die Lautstärke in den Modi DAB / UKW / Bluetooth oder AUX-IN mit den Tasten **Volume** – oder + ein. Im Display wird die eingestellte Lautstärkestufe angezeigt (von der niedrigsten Einstellung 00 bis zur höchsten Einstellung 40).

Hinweis: Falls beim Betrieb mit Batterien der Batteriestatus zu niedrig ist, wird der Ton bei der Einstellung höherer Lautstärken verzerrt.

360 GRAD SURROUND SOUND

Der einzigartige Neodym-Lautsprecher an der Oberseite des Radios bietet ein 360 Grad Klangerlebnis.

Empfehlung: Stellen Sie das Radio in eine Ecke oder nahe an eine Wand, um den Sound zusätzlich zu reflektieren.

TON

Mit der **TON**-Funktion können Sie niedrige und höhere Tonfrequenzen konfigurieren.

1. Schalten Sie das Radio mit der **Ein-/Ausschalttaste** ein.
2. Drücken Sie **TONE**. Im Display erscheint die Anzeige „BASS 0“.
3. Stellen Sie den Bass mit den Tasten **Volume** – oder + entsprechend ein.
4. Drücken Sie **SELECT-INFO** zum Bestätigen. Im Display erscheint die Anzeige „TREBLE 0“.
5. Stellen Sie den Hochtton mit den Tasten **Volume** – oder + entsprechend ein.
6. Drücken Sie **SELECT-INFO**, um Ihre Einstellung zu bestätigen und zur normalen Anzeige zurückzukehren.

SPRACHEINSTELLUNGEN

Sie haben die Möglichkeit, unterschiedliche Menüsprachen für das Radio einzustellen.

1. Schalten Sie das Radio mit der **Ein-/Ausschalttaste** ein.
2. Drücken Sie **MENU** und anschließend **TUNING** ◀◀ oder ▶▶ , bis im Display die Anzeige „System“ erscheint.
3. Drücken Sie **SELECT-INFO** und anschließend **TUNING** ◀◀ oder ▶▶ , bis im Display die Anzeige „Language“ erscheint.
4. Drücken Sie **SELECT-INFO** und anschließend **TUNING** ◀◀ oder ▶▶ , bis im Display die gewünschte Sprache angezeigt wird (Englisch ist die Standardeinstellung).
5. Drücken Sie **SELECT-INFO** zur Bestätigung Ihrer Einstellung.
6. Das Menü wird nun in der ausgewählten Sprache angezeigt.

SOFTWARE-VERSION

Die Anzeige der Software-Version kann nicht geändert werden und dient nur Ihrer Information. Die Software-Version lässt sich nur in den Modi DAB und UKW anzeigen.

1. Schalten Sie das Radio mit der **Ein-/Ausschalttaste** ein.
2. Schalten Sie mit **SOURCE** den UKW- oder DAB-Modus ein.
3. Drücken Sie **MENU** und anschließend **TUNING** ◀◀ oder ▶▶ , bis im Display die Anzeige „System“ erscheint.
4. Drücken Sie **SELECT-INFO** und anschließend **TUNING** ◀◀ oder ▶▶ , bis im Display die Anzeige „SW VERSION“ erscheint.
5. Drücken Sie **SELECT-INFO**, um die Software-Version anzuzeigen.
6. Drücken Sie **MENU**, um zur normalen Radioanzeige zu gelangen.

Hinweis: Der USB-Port neben dem Batteriefach kann für die Aktualisierung der Software des Geräts verwendet werden.

SYSTEMRÜCKSTELLUNG

Falls Ihr Radio nicht ordnungsgemäß funktioniert oder Anzeigen im Display fehlen bzw. unvollständig sind, führen Sie bitte wie folgt eine Rückstellung durch.

1. Schalten Sie das Radio mit der **Ein-/Ausschalttaste** ein.
2. Drücken Sie **MENU** und anschließend **TUNING** ◀◀ oder ▶▶ , bis im Display die Anzeige „System“ erscheint.
3. Drücken Sie **SELECT-INFO** und anschließend **TUNING** ◀◀ oder ▶▶ , bis im Display die Anzeige „Reset“ erscheint.
4. Drücken Sie **SELECT-INFO**; „Reset? <No> Yes“ wird angezeigt.
5. Drücken Sie **TUNING** ◀◀ oder ▶▶ zur Auswahl von „Yes“ oder „No“. Wählen Sie „Yes“ für die Rückstellung oder „No“, falls Sie das System nicht zurückstellen möchten.
6. Drücken Sie **SELECT-INFO** zum Bestätigen.
7. Das System führt eine vollständige Rückstellung durch. Alle Favoriteneinstellungen und die Senderliste werden gelöscht. Alle Einstellungen werden auf die Werkseinstellungen zurückgesetzt. Im Display erscheint einige Sekunden lang die Anzeige „WELCOME“ und dann führt das Radio einen Scan nach Band III DAB-Kanälen und UKW-Sendern durch. Im Display erscheint die Anzeige „Scanning“ für DAB-Kanäle und „Auto“ für UKW-Sender.
8. Nach dem Scan werden die 10 stärksten UKW-Sender als Favorit gespeichert. Das Radio schaltet nun in den Standby-Modus um und im Display werden die aktualisierte Uhrzeit und das Datum angezeigt.

Bei Fehlfunktion aufgrund elektrostatischer Entladung führen Sie eine Rückstellung wie oben beschrieben durch, um den normalen Betrieb wiederherzustellen. Falls Sie die Rückstellung wie oben beschrieben nicht durchführen können, ist es erforderlich, alle Batterien zu entfernen und den Netzstecker zu ziehen und anschließend wieder einzulegen bzw. anzuschließen.

TASTENSPERRE

Sie können für das Radio jederzeit die Tastensperre verwenden, unabhängig davon ob Sie sich im Stand-by-, DAB-, FM-, Bluetooth oder Aux-in-Modus befinden.

1. Halten Sie die **SOURCE**-Taste für ungefähr drei Sekunden gedrückt, bis „Locked“ in der LCD-Anzeige erscheint.
2. Bei eingeschalteter Tastensperre sind alle Funktionen des Radios solange deaktiviert, bis die Sperrung wieder aufgehoben wird. Während der Sperrung ist nur die Hintergrundbeleuchtung des Radios für einige Sekunden aktiv und es erscheint „Locked“ in der Anzeige.
3. Halten Sie die **SOURCE**-Taste erneut für ungefähr drei Sekunden gedrückt, bis „Unlocked“ in der LCD-Anzeige erscheint, um die Tastensperre aufzuheben.

Hinweis: Wenn Sie das Radio im Batteriebetrieb benutzen und es sich im Stand-by-Modus befindet, werden aus Energiespargründen nicht alle Tasten von der Hintergrundbeleuchtung des Radios erhellt sein.

HINTERGRUNDBELEUCHTUNG

Konfiguration der LCD-Hintergrundbeleuchtung

1. Schalten Sie das Radio mit der **Ein-/Ausschalttaste** ein.
2. Drücken Sie **MENU** und anschliessend **TUNING** ◀◀ oder ▶▶ bis im Display die anzeige „System“ erscheint.
3. Drücken Sie **SELECT-INFO** und anschliessend **TUNING** ◀◀ oder ▶▶ bis im Display die anzeige „LCD Backlight“ erscheint.
4. Drücken Sie **SELECT-INFO** um das Menü für die Anpassung der LCD-Hintergrundbeleuchtung aufzurufen
5. Drücken Sie **TUNING** ◀◀ oder ▶▶ um „on“ auszuwählen, damit die Hintergrundbeleuchtung immer aktiv ist, wenn das Radio per Netzbetrieb läuft.
6. Oder drücken Sie **TUNING** ◀◀ oder ▶▶ um „off“ (Standard) auszuwählen, so dass die Hintergrundbeleuchtung 10 Sekunden lang aktiv ist, wenn bei Betzbetrieb eine Taste bestätigt wird.
7. Drücken Sie **SELECT-INFO** um Ihre Auswahl zu bestätigen.

Hinweis: Die LCD-Hintergrundbeleuchtungsoption „on“ ist nur verfügbar, wenn das Radio im Netzbetrieb läuft. Wenn das Radio per Akku betrieben wird, ist diese Option auf „off“ gesetzt – 10 Sekunden Beleuchtung, wenn eine Taste betätigt wird. Wenn das Radio wieder mit dem Stromnetz verbunden wird, wird die letzte Benutzereinstellung wieder aktiviert.

GARANTIE

Dieses Gerät kommt mit einer 2-jährigen eingeschränkten Garantie.


WARNUNG! Die Garantie wird nichtig, falls die Abdeckung geöffnet und das Gerät modifiziert oder verändert wurde!

Die Garantie des Radios erstreckt sich nicht auf folgendes:

- Schäden aufgrund falscher Nutzung, Missbrauch, Fahrlässigkeit, Änderungen oder nicht genehmigter Reparaturen.
- Normale(r) Abnutzung und Verschleiß.
- Knicken oder Biegen der Antenne.
- Batterien sind Verbrauchsgüter und fallen nicht unter die Garantie des Radios.

TECHNISCHE DATEN

Stromversorgung

AC/DC Netzteil	Eingang: 110-240V 50/60Hz AC~, Ausgang: 12V DC  2A
Batterien	6 x 1,5V (Typ IEC LR6 / AM3 / Größe AA)
Wiederaufladbare Batterien	6 x 1,2V (Typ HR06 / Größe AA / 2500mAh wiederaufladbare NiMH-Batterie) Batterien der Marke PerfectPro werden empfohlen

Frequenzbereich

FM 87.5 - 108 MHz
DAB 174,928 - 239,200 MHz

Anschlüsse

Lautsprecher	1 x Ø2 1/4 Zoll
Ausgangsleistung	1 x 5W Aux-Eingang Ø3,5 mm

Bluetooth

Version 4.0 Unterstützt Bluetooth-Profile A2DP, AVRCP und HFP

INFORMATIONEN

Technische Daten



Dieses Gerät ist gemäß geltenden EU-Richtlinien geräuschgedämpft.

Das Produkt entspricht den Europäischen Richtlinien 2006/95/EC, 2005/32/EC und 2004/108/EC.

Dieses Gerät entspricht der Sicherheitsnorm DIN EN 60065 (VDE 0860) und somit der internationalen Sicherheitsnorm IEC 60065.

Das Gehäuse des Geräts darf unter keinen Umständen geöffnet werden. Der Hersteller haftet nicht für Schäden aufgrund unsachgemäßer Nutzung.

Das Typenschild befindet sich an der Unterseite des Geräts.

Umweltgerechte Entsorgung



Dieses Produkt besteht aus hochwertigen Teilen und Materialien, die wiederverwertet und recycelt werden können.

Entsorgen Sie das Gerät nicht über den normalen Haushaltsmüll. Geben Sie es an einer Sammelstelle für das Recycling von elektrischen und elektronischen Geräten ab. Dieses Symbol auf dem Gerät, in der Bedienungsanleitung und auf der Verpackung weist auf diese Art der Entsorgung hin.

Informieren Sie sich auf Ihrer Gemeinde über örtliche Sammelstellen. Recyceln Sie Altgeräte, um die Umwelt zu schützen.

