

# home

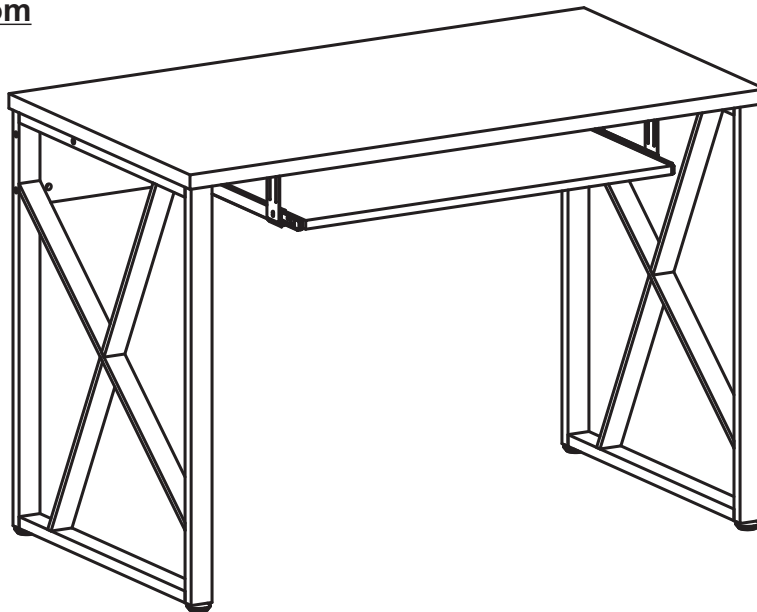
for quality home and office furniture

## piranha<sup>®</sup> BELUGA ASSEMBLY INSTRUCTIONS

Please read this guide carefully and check that you have all parts before you begin assembly. As a thank you for your purchase, we would like to offer you a 10% discount\* off our range of matching furniture on [www.homeinonline.com](http://www.homeinonline.com) with voucher code **10%MATCH**.

### Need help with your item or unhappy?

If you have **ANY** questions, please do not hesitate to email us on [info@homeinonline.com](mailto:info@homeinonline.com) and we will do our very best to help. You can also contact us via our website [www.homeinonline.com](http://www.homeinonline.com)



**TWO PEOPLE RECOMMENDED**

**PC13 (BELUGA)**

#### **General Care:**

Keep furniture out of direct sunlight. Use mats and coasters to protect surfaces.  
Do not place hot or wet items directly onto unprotected surfaces.

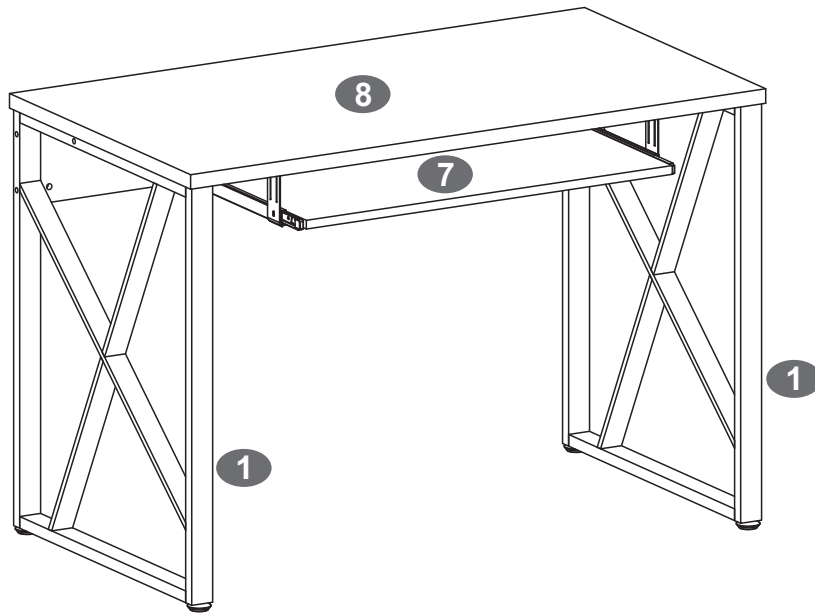
#### **Cleaning:**

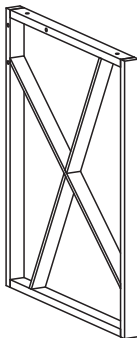

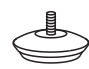


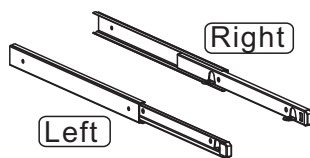

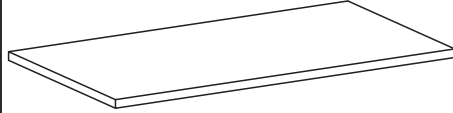
Wipe surfaces with a clean damp (not wet) cloth then dry with a clean lint free cotton cloth.  
Glass surfaces may be polished with window or other glass cleaning liquids.

**Please retain cartons until assembled as goods MUST be returned in original packaging.**



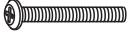
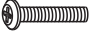
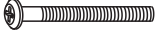




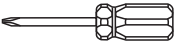
■ PARTS LIST



 <p>1</p> <p>X2</p>	 <p>2</p> <p>X1</p>	 <p>3</p> <p>X4</p>
 <p>4</p> <p>X1</p>	 <p>5</p> <p>X4</p>	 <p>6</p> <p>Left</p> <p>Right</p> <p>X1</p>
 <p>7</p> <p>X1</p>	 <p>8</p> <p>X1</p>	

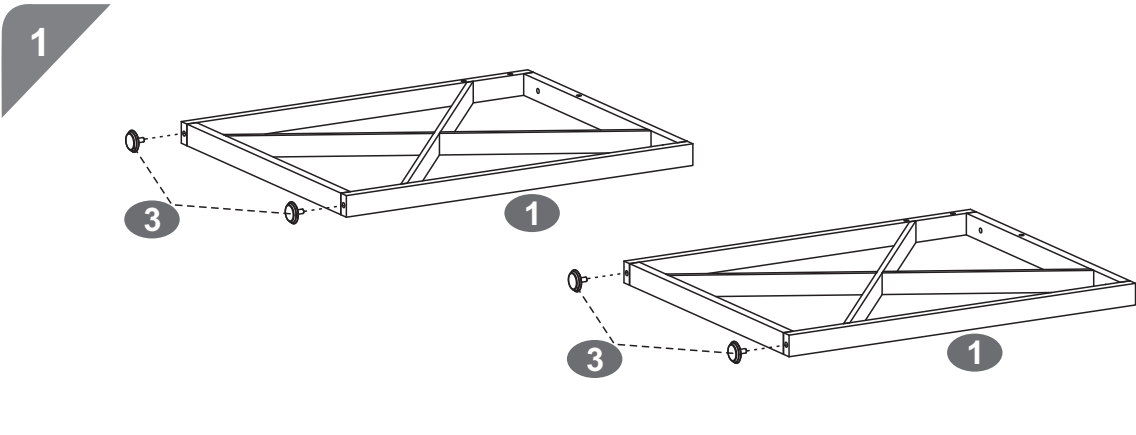


### ▪SCREWS LIST

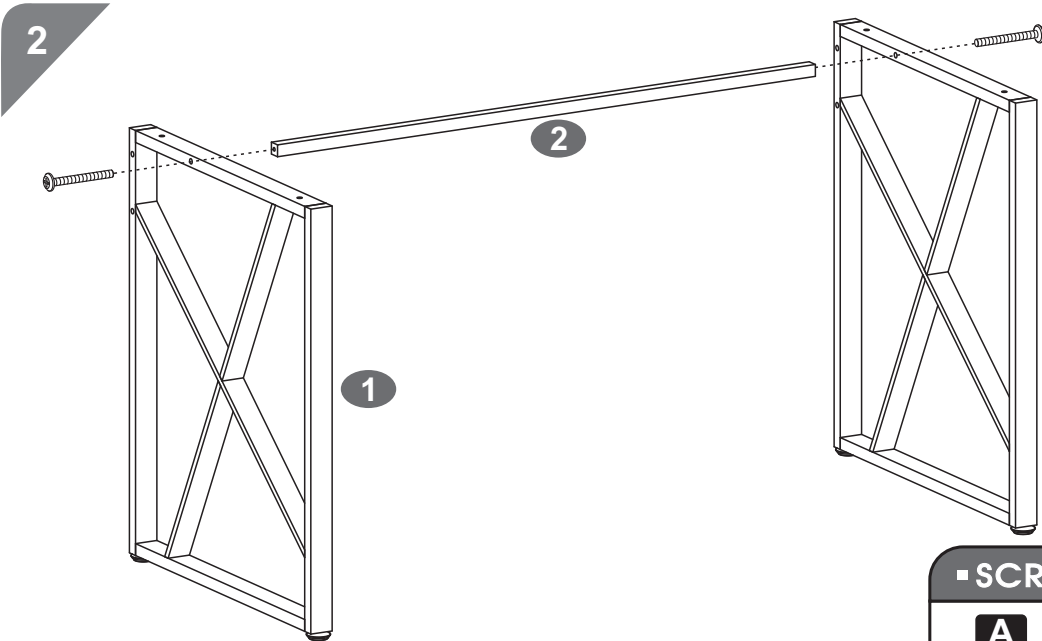
PART	QTY.	ITEM		PART	QTY.	ITEM	
<b>A</b>	2	6X50 MM		<b>E</b>	4	6X30 MM	
<b>B</b>	4	6X65 MM		<b>F</b>	4	4X14 MM	
<b>C</b>	4	6X12 MM		<b>G</b>	4	Φ 10 MM	
<b>D</b>	4	4X4 MM			1		

### ▪ASSEMBLY STEPS:



**1**



**2**



**▪ SCREWS**

**A** 6X50 MM  x2 

**3**

**1** **4**

**A1** **A2** **A2**

**B1** **B2** **B3**

**1** **2** **3**

**SCREWS**

**B** 6X65 MM x4

**G** Ø 10 MM x4

**4**

**5** X4

**8**

**SCREWS**

**C** 6X12 MM x4

**5**

**Right** **Left**

**6** **6**

**5** X4

**SCREWS**

**D** 4X4 MM x4

