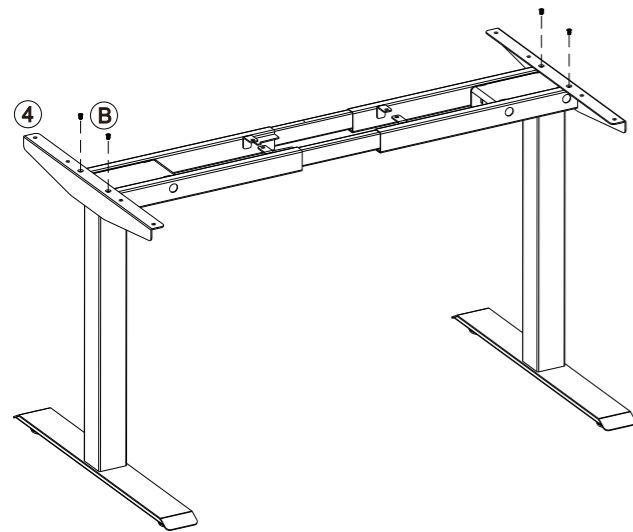
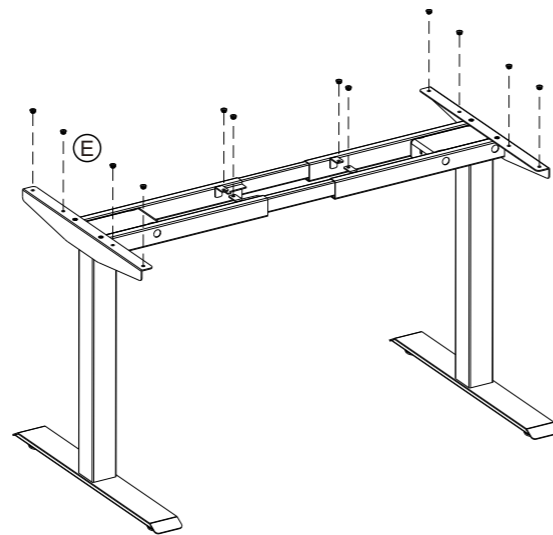


### STEP 3



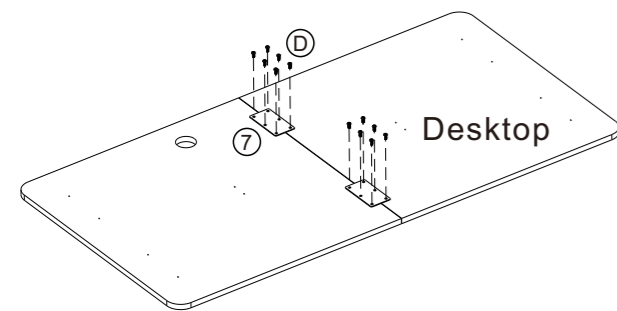
- ④ Side Bracket \* 2
- Ⓑ M6×12 Screws \* 4

### STEP 4



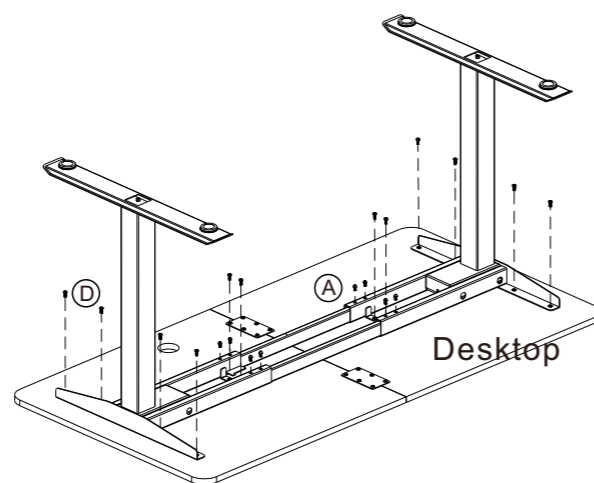
- Ⓔ Washers \* 12

### STEP 5



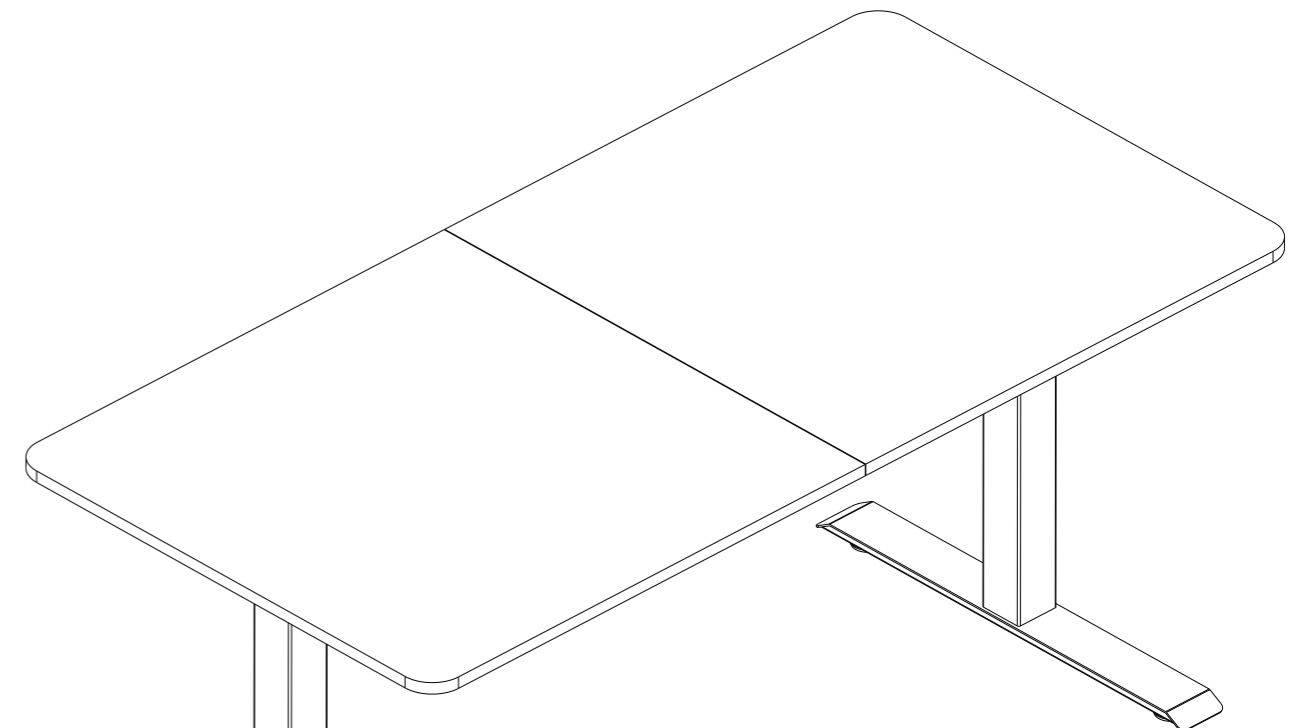
- ⑦ Mending Plates \* 2
- Ⓓ M5×16 Screws \* 12

### STEP 6



- Ⓐ M6×12 Screws \* 8
- Ⓓ M5×16 Screws \* 12

# Assembly **FOURZE** Instruction



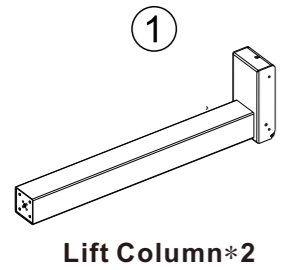
## Installation tips



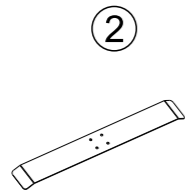
Please don't tighten the screws completely and go back later for a final tightening of all the screws after pieces are aligned with each other .

Lay a mat or old blanket out to assemble onto so the floor and the furniture doesn't get scratched or damaged during building.

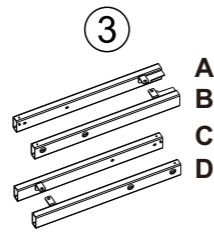
## Part List



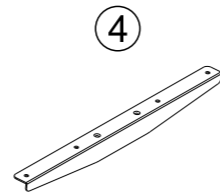
Lift Column\*2



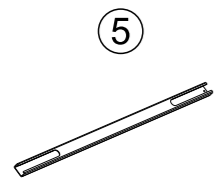
Base\*2



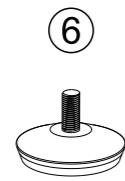
Crossbar\*4



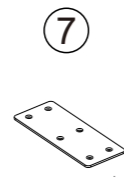
Side Bracket\*2



Crossbar Center Rails\*2



Leveling Studs\*4



Mending Plates\*2

## Accessory Kit

(A)



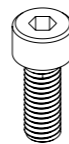
Qty \*16  
M6×12  
Screws

(B)



Qty \*4  
M6×8  
Screws

(C)



Qty \*8  
M6×16  
Screws

(D)



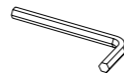
Qty \*24  
M5×16  
Screws

(E)



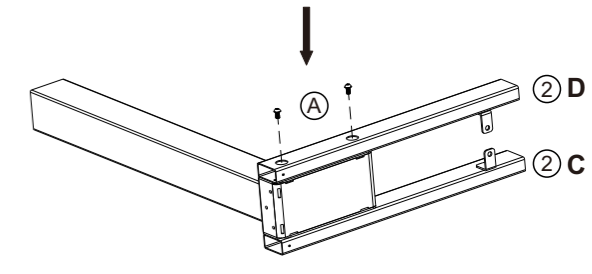
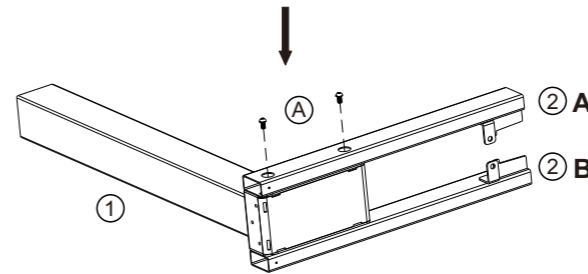
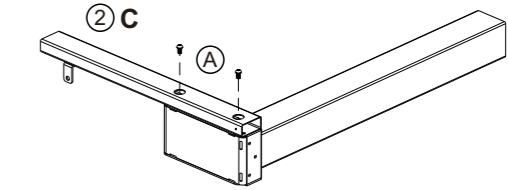
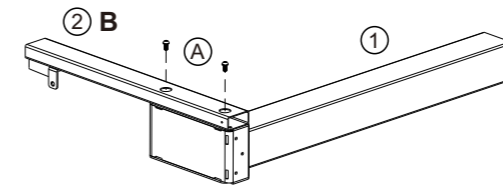
Qty \*12  
Washers

(F)



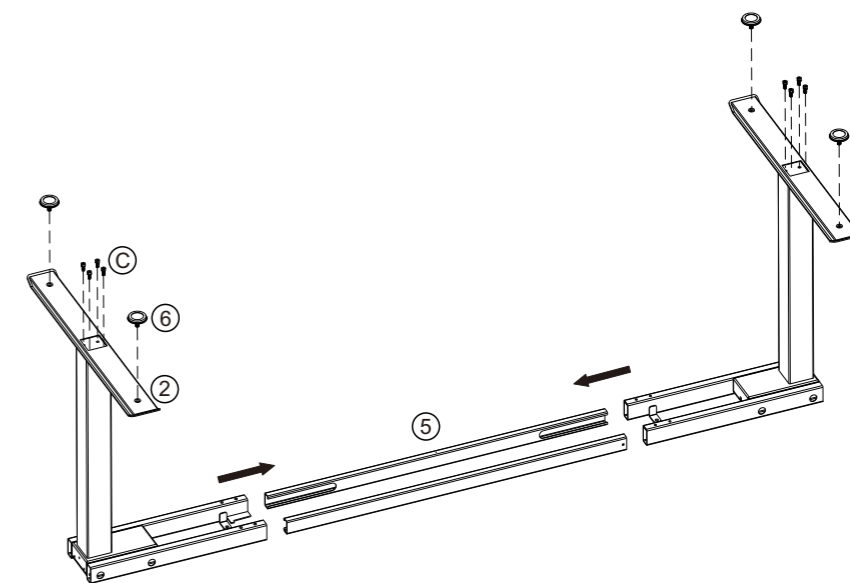
4mm  
Allen  
Wrench

## STEP 1:



- ① Lift Column \* 2
- ③ Crossbar \* 4
- (A) M6×12 Screws \* 8

## STEP 2



- ② Base \* 2
- ⑤ Crossbar Center Rail \* 2
- ⑥ Leveling Studs \* 4
- (C) M6×16 Screws \* 8