

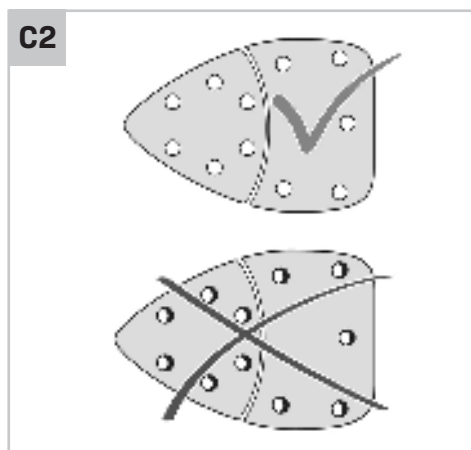
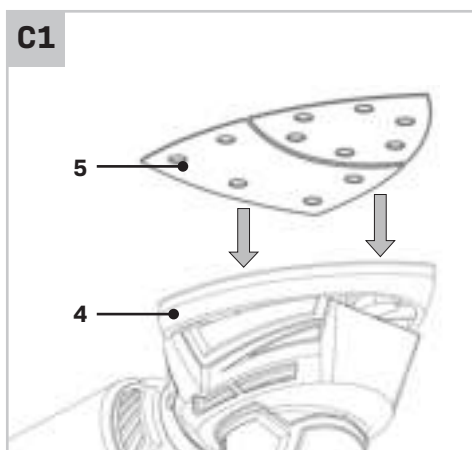
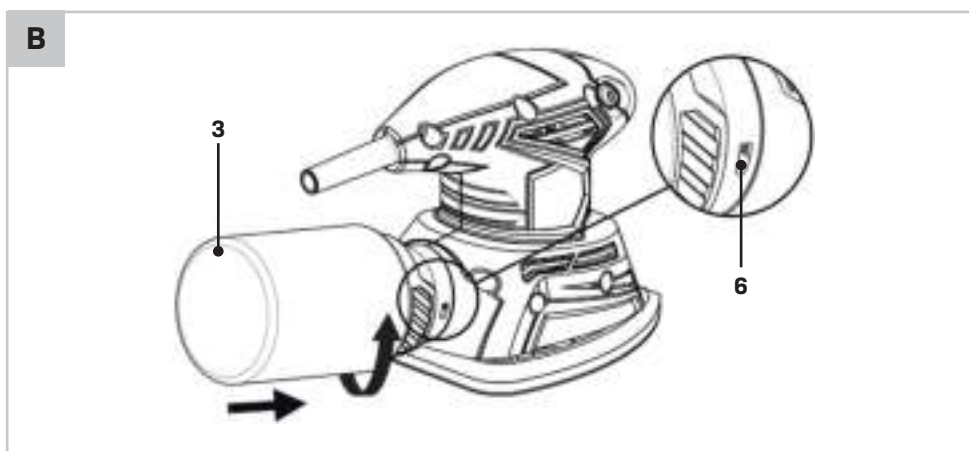
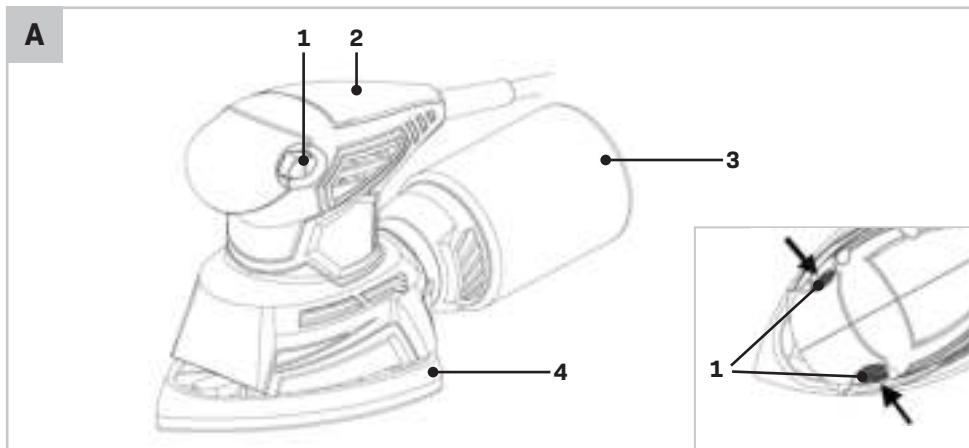


VONROC®
BUILD YOUR FUTURE

PALM SANDER PS501AC



EN	Original Instructions	03
DE	Übersetzung Der Originalbetriebsanleitung	07
NL	Vertaling van de oorspronkelijke gebruiksaanwijzing	12
FR	Traduction de la notice originale	17
ES	Traducción del manual original	22
IT	Traduzione delle istruzioni originali	27
PL	Tłumaczenie instrukcji oryginalnej	32
TR	Orjinal talimatların çevirisi	37



1. SAFETY INSTRUCTIONS

Read the enclosed safety warnings, the additional safety warnings and the instructions. Failure to follow the safety warnings and the instructions may result in electric shock, fire and/or serious injury. Save the safety warnings and the instructions for future reference.

The following symbols are used in the user manual or on the product:



Read the user manual.



Denotes risk of personal injury, loss of life or damage to the tool in case of non-observance of the instructions in this manual.



Risk of electric shock.



Variable electronic speed.



Wear safety goggles.
Wear hearing protection.



Wear a dust mask.



Class II machine - Double insulation -
You don't need any earthed plug.



The product is in accordance with the applicable safety standards in the European directives.

GENERAL POWER TOOL SAFETY WARNINGS



WARNING! Read all safety warnings and all instructions. Failure to follow the warnings and instructions may result in electric shock, fire and/or serious injury.

Save all warnings and instructions for future reference.

The term "power tool" in the warnings refers to your mains-operated (corded) power tool or battery-operated (cordless) power tool.

1) Work area safety

- Keep work area clean and well lit.** Cluttered or dark areas invite accidents.
- Do not operate power tools in explosive atmospheres, such as in the presence of flamma-**

ble liquids, gases or dust. Power tools create sparks which may ignite the dust or fumes.

- Keep children and bystanders away while operating a power tool.** Distractions can cause you to lose control.

2) Electrical safety

- Power tool plugs must match the outlet.** Never modify the plug in any way. Do not use any adapter plugs with earthed (grounded) power tools. Unmodified plugs and matching outlets will reduce risk of electric shock.
- Avoid body contact with earthed or grounded surfaces, such as pipes, radiators, ranges and refrigerators.** There is an increased risk of electric shock if your body is earthed or grounded.
- Do not expose power tools to rain or wet conditions.** Water entering a power tool will increase the risk of electric shock.
- Do not abuse the cord.** Never use the cord for carrying, pulling or unplugging the power tool. Keep cord away from heat, oil, sharp edges or moving parts. Damaged or entangled cords increase the risk of electric shock.
- When operating a power tool outdoors, use an extension cord suitable for outdoor use.** Use of a cord suitable for outdoor use reduces the risk of electric shock.
- If operating a power tool in a damp location is unavoidable, use a residual current device (RCD) protected supply.** Use of an RCD reduces the risk of electric shock.

3) Personal safety

- Stay alert, watch what you are doing and use common sense when operating a power tool.** Do not use a power tool while you are tired or under the influence of drugs, alcohol or medication. A moment of inattention while operating power tools may result in serious personal injury.
- Use personal protective equipment.** Always wear eye protection. Protective equipment such as dust mask, non-skid safety shoes, hard hat, or hearing protection used for appropriate conditions will reduce personal injuries.
- Prevent unintentional starting.** Ensure the switch is in the off-position before connecting to power source and/or battery pack, picking up or carrying the tool. Carrying power tools with your finger on the switch or energising power tools that have the switch on invites accidents.

- d) **Remove any adjusting key or wrench before turning the power tool on.** A wrench or a key left attached to a rotating part of the power tool may result in personal injury.
- e) **Do not overreach.** Keep proper footing and balance at all times. This enables better control of the power tool in unexpected situations.
- f) **Dress properly.** Do not wear loose clothing or jewellery. Keep your hair, clothing and gloves away from moving parts. Loose clothes, jewellery or long hair can be caught in moving parts.
- g) **If devices are provided for the connection of dust extraction and collection facilities, ensure these are connected and properly used.** Use of dust collection can reduce dust related hazards.
- 4) Power tool use and care**
- a) **Do not force the power tool.** Use the correct power tool for your application. The correct power tool will do the job better and safer at the rate for which it was designed.
- b) **Do not use the power tool if the switch does not turn it on and off.** Any power tool that cannot be controlled with the switch is dangerous and must be repaired.
- c) **Disconnect the plug from the power source and/or the battery pack from the power tool before making any adjustments, changing accessories, or storing power tools.** Such preventive safety measures reduce the risk of starting the power tool accidentally.
- d) **Store idle power tools out of the reach of children and do not allow persons unfamiliar with the power tool or these instructions to operate the power tool.** Power tools are dangerous in the hands of untrained users.
- e) **Maintain power tools.** Check for misalignment or binding of moving parts, breakage of parts and any other condition that may affect the power tool's operation. If damaged, have the power tool repaired before use. Many accidents are caused by poorly maintained power tools.
- f) **Keep cutting tools sharp and clean.** Properly maintained cutting tools with sharp cutting edges are less likely to bind and are easier to control.
- g) **Use the power tool, accessories and tool bits etc. in accordance with these instructions, taking into account the working conditions and the work to be performed.** Use of the power tool for operations different from those intended could result in a hazardous situation.
- 5) Battery tool use and care**
- a) **Recharge only with the charger specified by the manufacturer.** A charger that is suitable for one type of battery pack may create a risk of fire when used with another battery pack.
- b) **Use power tools only with specifically designated battery packs.** Use of any other battery packs may create a risk of injury and fire.
- c) **When battery pack is not in use, keep it away from other metal objects, like paper clips, coins, keys, nails, screws or other small metal objects that can make a connection from one terminal to another.** Shorting the battery terminals together may cause burns or a fire.
- d) **Under abusive conditions, liquid may be ejected from the battery; avoid contact.** If contact accidentally occurs, flush with water. If liquid contacts eyes, additionally seek medical help. Liquid ejected from the battery may cause irritation or burns.
- 6) Service**
- a) **Have your power tool serviced by a qualified repair person using only identical replacement parts.** This will ensure that the safety of the power tool is maintained.
- ADDITIONAL SAFETY INSTRUCTIONS**
- Do not use oversized sanding sheets, but follow the manufacturer's specifications for the size of sanding sheets. Sanding sheets which project over the sanding pad may cause injuries as well as block and rip the sanding sheets or cause a kickback.
 - It is not recommended to sand lead paint. Lead paint should be removed by a specialist only.
 - Do not work on materials which release hazardous substances (e.g. asbestos). Take precautions if hazardous, combustible or explosive dust is likely to occur. Wear protective dust mask. Use dust extraction system.
 - Do not work materials containing asbestos. Asbestos is considered carcinogenic.
 - Do not use the machine for sanding magnesium workpieces.
 - Wear safety goggles. Wear hearing protection. If necessary, use other protective means, such as safety gloves, safety shoes, etc.
 - Hold the machine by the insulated gripping surfaces where the accessory may contact hidden wiring or the mains cable. If the accessory

contacts a 'live' wire, the exposed metal parts of the machine can also become 'live'. Risk of electric shock.

- Be very careful when sanding painted surfaces.
- Before use, remove all nails and other metal objects from the workpiece.
- Make sure that the workpiece is properly supported or fixed.
- Only use sanding paper that is suitable for use with the machine.
- Only use sanding paper with the correct dimensions. Make sure that the sanding paper is properly mounted.
- Inspect the sanding paper before each use. Do not use sanding paper that is worn because of prolonged use.
- Never put the machine down on a table or a workbench before it has been switched off.

Electrical safety



Always check that the voltage of the power supply corresponds to the voltage on the rating plate label.

- Do not use the machine if the mains cable or the mains plug is damaged.
- Only use extension cables that are suitable for the power rating of the machine with a minimum thickness of 1.5 mm². If you use an extension cable reel, always fully unroll the cable.

2. MACHINE INFORMATION

Intended use

The machine is designed for sanding wood, plastics and metal. This machine is suitable only for dry sanding. The machine is not suitable for processing objects containing asbestos. Improper use may damage the tool.

TECHNICAL SPECIFICATIONS

Model No.	PS501AC
Voltage	230-240V ~
Frequency	50 Hz
Power input	130W
No-load speed	14.000/min
Sanding pad diameter	150x150x100 mm
Weight	0.68 kg
Sound pressure level L _{PA}	76+3 dB(A)
Acoustic power level L _{WA}	87+3 dB(A)
Vibration	3.017+1.5 m/s ²



Wear hearing protection.

Vibration level

The vibration emission level stated in this instruction manual has been measured in accordance with a standardized test given in EN60745; it may be used to compare one tool with another and as a preliminary assessment of exposure to vibration when using the tool for the applications mentioned.

- Using the tool for different applications, or with different or poorly maintained accessories, may significantly increase the exposure level.
- The times when the tool is switched off or when it is running but not actually doing the job, may significantly reduce the exposure level.

Protect yourself against the effects of vibration by maintaining the tool and its accessories, keeping your hands warm, and organizing your work patterns.

DESCRIPTION

The numbers in the text refer to the diagrams on page 2.

1. On/off switch
2. Grip
3. Dust box
4. Sanding pad
5. Sanding paper
6. Slot

3. ASSEMBLY



Before assembly, always switch off the machine and remove the mains plug from the mains.

Connecting the dust box (Fig. B)

It is highly recommended to use the machine with the dust box (3), ensuring optimal dust collection.

- Slide the slot in the dust box over the notch on the rear dust outlet.
- Twist to lock the box into position.

Note: The dust box should be emptied when the box is half full to maintain optimal dust collection.

Mounting and removing sanding paper (Fig. C)

- Hold the machine on its side or upside down, as shown on Fig. C1
- Mount sanding paper (5) with the required grain size onto the sanding pad (4). Make sure that the perforation in the sanding paper (5) corresponds with the perforation on the sanding pad (4), as shown on Fig. C2.
- To remove the sanding paper (5), simply pull the sanding paper from the sanding pad (4).

Note: Use coarse sanding paper for sanding rough, uneven surfaces. Use medium sanding paper for removing the remaining scratches from the coarse sanding paper. Use fine sanding paper for finishing surfaces.

4. OPERATION

Switching on and off (Fig. A)

- To switch on the machine, press the on/off switch (1) into position I.
- To switch off the machine, press the on/off switch (1) into position 0.

Hints for optimum use

- Firmly hold the machine with both hands.
- Switch on the machine.
- Place the sanding pad with sanding paper on the workpiece.
- Slowly move the machine over the workpiece, firmly pressing the sanding pad against the workpiece.
- Do not apply too much pressure on the machine. Let the machine do the work.

5. MAINTENANCE



Always disconnect the machine from the main power supply before carrying out any maintenance work.

Clean the machine casings regularly with a soft cloth, preferably after each use. Make sure that the ventilation openings are free of dust and dirt. Remove very persistent dirt using a soft cloth moistened with soapsuds. Do not use any solvents such as gasoline, alcohol, ammonia, etc. Chemicals such as these will damage the synthetic components.

ENVIRONMENT



Faulty and/or discarded electrical or electronic apparatus have to be collected at the appropriate recycling locations.

Only for EC countries

Do not dispose of power tools into domestic waste. According to the European Guideline 2012/19/EC for Waste Electrical and Electronic Equipment and its implementation into national right, power tools that are no longer usable must be collected separately and disposed of in an environmentally friendly way.

WARRANTY

VONROC products are developed to the highest quality standards and are guaranteed free of defects in both materials and workmanship for the period lawfully stipulated starting from the date of original purchase. Should the product develop any failure during this period due to defective material and/or workmanship then contact VONROC directly.

The following circumstances are excluded from this guarantee:

- Repairs and or alterations have been made or attempted to the machine by unauthorized service centers;
- Normal wear and tear;
- The tool has been abused, misused or improperly maintained;
- Non-original spare parts have been used.

This constitutes the sole warranty made by company either expressed or implied. There are no other warranties expressed or implied which extend beyond the face hereof, herein, including the implied warranties of merchantability and fitness for a particular purpose. In no event shall VONROC be liable for any incidental or consequential damages. The dealers remedies shall be limited to repair or replacement of nonconforming units or parts.

The product and the user manual are subject to change. Specifications can be changed without further notice.

1. SICHERHEITSANWEISUNGEN

Lesen Sie die beiliegenden Sicherheitsanweisungen, die zusätzlichen Sicherheitsanweisungen sowie diese Bedienungsanleitung sorgfältig durch.

Bei Nichtbeachten der Sicherheitsanweisungen und der Bedienungsanleitung kann es zu einem Stromschlag, einem Brand und/oder schweren Verletzungen kommen. Bewahren Sie die Sicherheitsanweisungen und die Bedienungsanleitung zur künftigen Bezugnahme sicher auf.

Folgende Symbole werden im Benutzerhandbuch oder auf dem Produkt verwendet:



Lesen Sie das Benutzerhandbuch.



Lebens- und Verletzungsgefahr und Gefahr von Beschädigungen am Werkzeug/Gerät bei Nichteinhaltung der Anweisungen in dieser Bedienungsanleitung.



Gefahr eines Stromschlags.



Verstellbarer Geschwindigkeitsregler.



Schutzbrille und Gehörschutz tragen.



Tragen Sie eine Staubmaske.



Gerät der Schutzklasse II – schutzisoliert – kein Schutzkontakt erforderlich.



Das Produkt entspricht den geltenden Sicherheitsnormen der europäischen Richtlinien.

ALLGEMEINE SICHERHEITSHINWEISE



ACHTUNG! Lesen Sie alle Sicherheitshinweise und Anweisungen. Fehler bei der Einhaltung der nachstehend aufgeführten Anweisungen können elektrischen Schlag, Brand und/oder schwere Verletzungen verursachen.

Bewahren Sie diese Anweisungen gut auf.

Der nachfolgend verwendete Begriff „Elektrowerkzeug“ bezieht sich auf netzbetriebene Elektrowerkzeuge (mit Netzkabel) und auf akkubetriebene Elektrowerkzeuge (ohne Netzkabel).

1) Arbeitsplatz

- a) **Halten Sie Ihren Arbeitsbereich sauber und aufgeräumt.** Unordnung und unbeleuchtete Arbeitsbereiche können zu Unfällen führen.
- b) **Arbeiten Sie mit dem Gerät nicht in explosionsgefährdeter Umgebung, in der sich brennbare Flüssigkeiten, Gase oder Staub befinden.** Elektrowerkzeuge erzeugen Funken, die den Staub oder die Dämpfe entzünden können.
- c) **Halten Sie Kinder und andere Personen während der Benutzung des Elektrowerkzeugs fern.** Bei Ablenkung können Sie die Kontrolle über das Gerät verlieren.

2) Elektrische Sicherheit

- a) **Der Anschlussstecker des Gerätes muss in die Steckdose passen.** Der Netzstecker darf in keiner Weise verändert werden. Verwenden Sie keine Adapterstecker gemeinsam mit geschützten Geräten. Unveränderte Netzstecker und passende Steckdosen verringern das Risiko eines elektrischen Schlages.
- b) **Vermeiden Sie Körperkontakt mit geerdeten Oberflächen, wie von Rohren, Heizungen, Herden und Kühlschränken.** Es besteht ein erhöhtes Risiko durch elektrischen Schlag, wenn Ihr Körper geerdet ist.
- c) **Halten Sie das Gerät von Regen oder Nässe fern.** Das Eindringen von Wasser in ein Elektrogerät erhöht das Risiko eines elektrischen Schlages.
- d) **Zweckentfremden Sie das Netzkabel nicht, um das Gerät zu tragen, aufzuhängen oder um den Netzstecker aus der Steckdose zu ziehen. Halten Sie das Netzkabel fern von Hitze, Öl, scharfen Kanten oder sich bewegenden Geräteteilen.** Beschädigte oder verwickelte Netzkabel erhöhen das Risiko eines elektrischen Schlages.
- e) **Wenn Sie mit einem Elektrowerkzeug im Freien arbeiten, verwenden Sie nur Verlängerungskabel, die auch für den Außenbereich zugelassen sind.** Die Anwendung eines für den Außenbereich geeigneten Verlängerungskabels verringert das Risiko eines elektrischen Schlages.
- f) **Wenn sich Arbeiten mit einem Elektrowerkzeug in feuchten Umgebungen nicht vermeiden lassen, verwenden Sie eine Stromversorgung mit einer Fehlerstrom-Schutzeinrichtung (RCD).** Durch die Verwendung einer RCD wird die Gefahr eines elektrischen Schlags verringert.

3) Sicherheit von Personen

- a) **Seien Sie aufmerksam. Achten Sie darauf, was Sie tun, und gehen Sie mit Vernunft an die Arbeit mit einem Elektrowerkzeug. Benutzen Sie das Gerät nicht, wenn Sie müde sind oder unter dem Einfluss von Drogen, Alkohol oder Medikamenten stehen.** Ein Moment der Unachtsamkeit beim Gebrauch des Gerätes kann zu ernsthaften Verletzungen führen.
 - b) **Tragen Sie persönliche Schutzausrüstung und immer eine Schutzbrille.** Das Tragen persönlicher Schutzausrüstung, wie Staubmaske, rutschfeste Sicherheitsschuhe, Schutzhelm oder Gehörschutz, je nach Art und Einsatz des Elektrowerkzeuges, verringert das Risiko von Verletzungen.
 - c) **Vermeiden Sie eine unbeabsichtigte Inbetriebnahme. Vergewissern Sie sich, dass der Schalter in der Position „AUS(0)“ ist, bevor Sie den Netzstecker in die Steckdose stecken.** Wenn Sie beim Tragen des Geräts den Finger am Schalter haben oder das Gerät eingeschaltet an die Stromversorgung anschließen, kann dies zu Unfällen führen.
 - d) **Entfernen Sie Einstellwerkzeuge oder Schraubenschlüssel, bevor Sie das Gerät einschalten.** Ein Werkzeug oder Schlüssel, der sich in einem drehenden Geräteteil befindet, kann zu Verletzungen führen.
 - e) **Überschätzen Sie sich nicht. Sorgen Sie für einen sicheren Stand und halten Sie jederzeit das Gleichgewicht.** Dadurch können Sie das Gerät in unerwarteten Situationen besser kontrollieren.
 - f) **Tragen Sie geeignete Kleidung. Tragen Sie keine weite Kleidung oder Schmuck. Halten Sie Haare, Kleidung und Handschuhe fern von sich bewegenden Teilen.** Lockere Kleidung, Schmuck oder lange Haare können von sich bewegenden Teilen erfasst werden.
 - g) **Wenn Staubabsaug- und -auffangeinrichtungen montiert werden können, vergewissern Sie sich, dass diese angeschlossen sind und richtig verwendet werden.** Das Verwenden dieser Einrichtungen verringert Gefährdungen durch Staub.
- 4) Sorgfältiger Umgang und Gebrauch von Elektrowerkzeugen**
- a) **Überlasten Sie das Gerät nicht. Verwenden Sie für Ihre Arbeit das dafür bestimmte Elektrowerkzeug.** Mit dem passenden Elektrowerkzeug arbeiten Sie besser und sicherer im angegebenen Leistungsbereich.

- b) **Benutzen Sie kein Elektrowerkzeug, dessen Schalter defekt ist.** Ein Elektrowerkzeug, das sich nicht mehr ein- oder ausschalten lässt, ist gefährlich und muss repariert werden.
- c) **Ziehen Sie den Netzstecker aus der Steckdose, bevor Sie Geräteeinstellungen vornehmen, Zubehörteile wechseln oder das Gerät weglegen.** Diese Vorsichtsmaßnahme verhindert den unbeabsichtigten Start des Geräts.
- d) **Bewahren Sie unbenutzte Elektrowerkzeuge außerhalb der Reichweite von Kindern auf. Lassen Sie Personen das Gerät nicht benutzen, die mit diesem nicht vertraut sind oder diese Anweisungen nicht gelesen haben.** Elektrowerkzeuge sind gefährlich, wenn Sie von unerfahrenen Personen benutzt werden.
- e) **Pflegen Sie das Gerät mit Sorgfalt. Kontrollieren Sie, ob bewegliche Geräteteile einwandfrei funktionieren und nicht klemmen, ob Teile gebrochen oder so beschädigt sind, dass die Funktion des Gerätes beeinträchtigt ist. Lassen Sie beschädigte Teile vor dem Einsatz des Gerätes reparieren.** Viele Unfälle haben ihre Ursache in schlecht gewarteten Elektrowerkzeugen.
- f) **Halten Sie Schneidwerkzeuge scharf und sauber.** Sorgfältig gepflegte Schneidwerkzeuge mit scharfen Schneidkanten verklemmen sich weniger und sind leichter zu führen.
- g) **Verwenden Sie Elektrowerkzeug, Zubehör, Einsatzwerkzeuge usw. entsprechend diesen Anweisungen und so, wie es für diesen speziellen Gerätetyp vorgeschrieben ist. Berücksichtigen Sie dabei die Arbeitsbedingungen und die auszuführende Tätigkeit.** Der Gebrauch von Elektrowerkzeugen für andere als die vorgesehenen Anwendungen kann zu gefährlichen Situationen führen.
- 5) Umgang mit Akkuwerkzeugen**
- a) **Zum Laden ist ausschließlich das vom Hersteller angegebene Ladegerät zu verwenden.** Ein Ladegerät, das für eine Art von Akkus geeignet ist, kann bei Verwendung mit einer anderen Art von Akku Brandgefahr verursachen.
- b) **Elektrowerkzeuge dürfen nur mit speziell dazu bestimmten Akkus verwendet werden,** da bei der Verwendung anderer Akkus Verletzungs- und Brandgefahr entstehen kann.
- c) **Wenn der Akku nicht in Gebrauch ist, ist er von Büroklammern, Münzen, Schlüssel, Nägel, Schrauben und anderen kleinen Metallobjekten**

fernzuhalten, die eine Verbindung zwischen den Polen bilden können. Kurzschließen der Pole kann Brand oder Verbrennungen verursachen.

- d) **Bei falschem Umgang mit dem Akku kann Flüssigkeit aus dem Akku austreten. Die Berührung dieser Flüssigkeit ist zu vermeiden. Bei Berührung den betroffenen Körperteil mit Wasser abspülen. Bei Berührung der Flüssigkeit mit den Augen muss zusätzlich ärztliche Hilfe gerufen werden.** Die Akkuflüssigkeit kann Reizungen oder Verbrennungen verursachen.

6) Service

- a) **Lassen Sie Ihre Werkzeuge durch einen qualifizierten Reparaturtechniker ausschließlich mit identischen Ersatzteilen warten.** So lässt sich eine gleich bleibende Sicherheit des Elektrowerkzeugs gewährleisten.

ZUSÄTZLICHE SICHERHEITSHINWEISE

- Benutzen Sie keine überdimensionierten Schleifblätter, sondern befolgen Sie die Herstellerangaben zur Schleifblattgröße. Schleifblätter, die über den Schleifteller hinausragen, können Verletzungen verursachen sowie zum Blockieren, Zerreißen der Schleifblätter oder zum Rückschlag führen.
- Das Abschleifen von Bleifarben wird nicht empfohlen. Das Entfernen von Bleifarben sollte nur vom Fachmann unternommen werden.
- Keine Materialien bearbeiten, bei denen gesundheitsgefährdende Stoffe freigesetzt werden (z. B. Asbest). Schutzmaßnahmen treffen, wenn gesundheitsschädliche, brennbare oder explosive Stäube entstehen können. Staubschutzmaske tragen. Absauganlagen verwenden.
- Bearbeiten Sie keine asbesthaltigen Materialien. Asbest wird als krebserregend eingestuft.
- Verwenden Sie die Maschine nicht zum Schleifen von Werkstücken aus Magnesium.
- Tragen Sie eine Schutzbrille. Tragen Sie einen Gehörschutz. Verwenden Sie ggf. weitere Schutzmittel wie beispielsweise Schutzhandschuhe, Sicherheitsschuhe, usw.
- Halten Sie die Maschine an den isolierten Griffflächen, falls die Gefahr besteht, dass das Zubehör versteckte Leitungen oder das Netzkabel berühren könnte. Falls das Zubehör einen spannungsführenden Draht berührt, können die freiliegenden Metallteile der Maschine ebenfalls spannungsführend werden. Gefahr eines Stromschlags.

- Gehen Sie beim Schleifen von lackierten Oberflächen äußerst vorsichtig vor.
- Entfernen Sie vor dem Gebrauch alle Nägel und sonstigen Metallgegenstände aus dem Werkstück.
- Vergewissern Sie sich, dass das Werkstück richtig gestützt bzw. fixiert ist.
- Verwenden Sie nur Schleifpapier, das für den Gebrauch mit der Maschine geeignet sind.
- Verwenden Sie nur Schleifpapier mit den richtigen Maßen. Vergewissern Sie sich, dass das Schleifpapier richtig angebracht ist.
- Überprüfen Sie das Schleifpapier vor jedem Gebrauch. Verwenden Sie kein verschlissenes Schleifpapier, um es dadurch länger verwenden zu können.
- Legen Sie die Maschine niemals auf einem Tisch oder einer Werkbank ab, bevor sie nicht abgeschaltet wurde.

Sicherheit bei Elektrizität



Achten Sie stets darauf, dass die Spannung der Stromversorgung mit der Spannung auf dem Typenschild übereinstimmt.

- Verwenden Sie die Maschine nicht, wenn das Netzkabel oder der Netzstecker beschädigt ist.
- Verwenden Sie nur Verlängerungskabel, die für die Leistungsaufnahme der Maschine geeignet sind und eine Mindestaderstärke von 1,5 mm² haben. Falls Sie eine Kabeltrommel verwenden, rollen Sie das Kabel immer vollständig ab.

2. ANGABEN ZUM WERKZEUG

Verwendungszweck

Diese Maschine ist zum Schleifen von Holz, Kunststoffen und Metall vorgesehen. Diese Maschine ist nur zum Trockenschleifen geeignet. Diese Maschine ist nicht zum Bearbeiten von Gegenständen geeignet, die Asbest enthalten. Eine unsachgemäße Verwendung kann das Werkzeug beschädigen.

TECHNISCHE DATEN

Modellnummer	PS501AC
Netzspannung	230-240V~
Frequenz	50 Hz
Leistung	130 W
Leerlaufdrehzahl	14.000/min

Schleifkissen durchmesser	150x150x100 mm
Gewicht	0,68 kg
Schalldruckpegel L _{PA}	76+3 dB(A)
Schalleistungspegel L _{WA}	87+3 dB(A)
Schwingung	3,017+1,5 m/s ²



Tragen Sie einen Gehörschutz.

Vibrationsintensität

Die in dieser Bedienungsanleitung angegebene Vibrationsintensität wurde mit einem standardisierten Test gemäß EN60745 gemessen. Anhand dieser Größe können Werkzeuge miteinander verglichen werden. Außerdem eignet sich diese Größe für eine erste Beurteilung der Vibrationsbelastung bei Verwendung des Werkzeugs für die angegebenen Anwendungszwecke.

- Bei Verwendung des Werkzeugs für andere Anwendungen oder mit anderem oder unzureichend gewartetem Zubehör kann sich die Vibrationsbelastung erheblich erhöhen.
- Wenn das Werkzeug ausgeschaltet ist, oder wenn es eingeschaltet ist, jedoch nicht genutzt wird, kann sich die Vibrationsbelastung erheblich verringern.

Schützen Sie sich vor den Auswirkungen der Vibration durch Wartung des Werkzeugs und des Zubehörs, halten Sie Ihre Hände warm, und organisieren Sie Ihren Arbeitsablauf.

BESCHREIBUNG

Die Buchstaben und Ziffern im folgenden Text verweisen auf die Abbildungen auf Seite 2.

1. Ein-/Ausschalter
2. Griff
3. Staubbehälter
4. Schleifkissen
5. Schleifpapier
6. Schlitz

3. MONTAGE



Schalten Sie die Maschine vor der Montage aus und ziehen Sie den Netzstecker aus der Steckdose.

Anschließen des Staubbehälters (Abb. B)

Es wird dringend empfohlen, die Maschine mit dem Staubbehälter (3) zu verwenden, um eine optimale Staubsammlung zu gewährleisten.

- Schieben Sie den Schlitz im Staubbehälter über die Kerbe am hinteren Staubauslass.
- Drehen Sie den Behälter, bis er in der richtigen Position einrastet.

Hinweis: Der Staubbehälter sollte entleert werden, wenn er zur Hälfte gefüllt ist, um eine optimale Staubsammlung zu gewährleisten.

Anbringen und Entfernen von Schleifpapier (Abb. C)

- Halten Sie die Maschine seitlich oder umgedreht, wie in Abb. C1 gezeigt.
- Bringen Sie Schleifpapier (5) mit der gewünschten Körnung auf den Schleifkissen (4) an. Stellen Sie sicher, dass die Perforation im Schleifpapier (5) mit der Perforation auf dem Schleifkissen (4) übereinstimmt, wie in Abb. C2 gezeigt.
- Um das Schleifpapier (5) zu entfernen, ziehen Sie einfach das Schleifpapier vom Schleifkissen (4) ab.

Hinweis: Verwenden Sie grobes Schleifpapier zum Schleifen von rauen, unebenen Oberflächen. Verwenden Sie mittleres Schleifpapier, um Spuren von grobem Schleifpapier auszugleichen. Verwenden Sie feines Schleifpapier zur Endbearbeitung von Oberflächen.

4. BETRIEB**Ein- und Ausschalten (Abb. A)**

- Zum Einschalten der Maschine drücken Sie den Ein-/Ausschalter (1) in Position I.
- Zum Ausschalten der Maschine drücken Sie den Ein-/Ausschalter (1) in Position 0.

Ratschläge für optimale Arbeitsergebnisse

- Halten Sie die Maschine mit beiden Händen fest.
- Schalten Sie die Maschine ein.
- Legen Sie den Schleifteller mit dem Schleifpapier auf das Werkstück.
- Bewegen Sie die Maschine langsam über das Werkstück, wobei Sie den Schleifteller fest gegen das Werkstück drücken.
- Üben Sie nicht zu viel Druck auf die Maschine aus. Lassen Sie die Maschine die Arbeit verrichten.

5. WARTUNG

Trennen Sie die Maschine vom Netz, wenn Sie am Mechanismus Wartungsarbeiten ausführen müssen.

Reinigen Sie das Werkzeuggehäuse regelmäßig mit einem weichen Lappen, vorzugsweise nach jeder Verwendung. Stellen Sie sicher, dass die Lüftungsöffnungen frei von Staub und Schmutz sind. Entfernen Sie anhaftenden Schmutz mit einem weichen Lappen, der leicht mit Seifenwasser befeuchtet wurde. Verwenden Sie keine Lösungsmittel wie Benzin, Alkohol, Ammoniak usw., da Chemikalien dieser Art die Kunststoffteile beschädigen.

UMWELTSCHUTZ

Schadhafte und/oder zu entsorgende elektrische oder elektronische Werkzeuge und Geräte müssen an den dafür vorgesehenen Recycling-Stellen abgegeben werden.

Nur für EG-Länder

Entsorgen Sie Elektrowerkzeuge nicht über den Hausmüll. Entsprechend der EU-Richtlinie 2012/19/EG über Elektro- und Elektronik-Altgeräte sowie der Umsetzung in nationales Recht müssen Elektrowerkzeuge, die nicht mehr im Gebrauch sind, getrennt gesammelt und umweltschonend entsorgt werden.

GARANTIE

VONROC-Produkte werden nach den höchsten Qualitätsstandards entwickelt und sind für den gesetzlich festgelegten Zeitraum, ausgehend von dem ursprünglichen Kaufdatum, garantiert frei von Fehlern in Material und Ausführung. Sollte das Produkt in diesem Zeitraum aufgrund von Material- und/oder Verarbeitungsmängeln Fehler aufweisen, wenden Sie sich bitte direkt an VONROC Kundendienst.

Folgende Umstände sind von der Garantie ausgeschlossen:

- Reparaturen und oder Änderungen an der Maschine, die durch nicht-autorisierte Servicestellen vorgenommen oder versucht wurden.
- Normale Abnutzung und Verschleiß.

- Das Werkzeug wurde übermäßig beansprucht, missbräuchlich verwendet oder falsch gewartet.
- Es wurden keine Original-Ersatzteile verwendet.

Dies stellt die einzige Gewährleistung des Unternehmens dar, sowohl ausdrücklich als auch implizit. Es gibt keine anderen ausdrücklichen oder stillschweigenden Garantien, die über das hier Genannte hinausgehen, einschließlich der stillschweigenden Garantien der Marktgängigkeit oder Eignung für einen bestimmten Zweck. In keinem Fall ist VONROC haftbar für Neben- oder Folgeschäden. Die Rechtsmittel des Händlers beschränken sich auf Reparatur oder Ersatz fehlerhafter Einheiten oder Teile.

Am Produkt und am Benutzerhandbuch können Änderungen vorgenommen werden. Die technischen Daten können sich ohne Vorankündigung ändern.

1. VEILIGHEIDSVOORSCHRIFTEN

Lees de bijgesloten veiligheidswaarschuwingen, de aanvullende veiligheidswaarschuwingen en de instructies. Het niet opvolgen van de veiligheidswaarschuwingen kan elektrische schokken, brand en/of ernstig letsel tot gevolg hebben. Bewaar de veiligheidswaarschuwingen en instructies als naslagwerk voor later.

De volgende symbolen worden gebruikt in de gebruikershandleiding of op het product:



Lees de gebruikershandleiding.



Gevaar voor lichamelijk letsel, overlijden of schade aan de machine wanneer de instructies in deze handleiding niet worden opgevolgd.



Gevaar voor elektrische schokken.



Variabele elektronische snelheid.



Draag oog- en gehoorbescherming.



Draag een stofmasker.



Klasse II apparaat - Dubbel geïsoleerd - Een geaarde stekker is niet noodzakelijk.



Het product is in overeenstemming met de van toepassing zijnde veiligheidsnormen in de Europese richtlijnen.

ALGEMENE VEILIGHEIDSVOORSCHRIFTEN



**WAARSCHUWING! Lees alle veiligheids-
waarschuwingen en alle instructies.**

Het niet opvolgen van onderstaande instructies kan leiden tot een elektrische schok, brand en/of ernstig persoonlijk letsel.

Bewaar deze instructies goed.

De term "elektrisch gereedschap" in onderstaande waarschuwingen heeft betrekking op zowel apparatuur met een vaste elektriciteitskabel als op apparatuur met een accu (draadloze apparatuur).

1) Werkgebied

- a) **Zorg voor een opgeruimde en goed verlichte werkomgeving.** Rommelige en donkere werkomgevingen leiden tot ongelukken
- b) **Gebruik elektrisch gereedschap nooit in een omgeving waar explosiegevaar bestaat, zoals in de nabijheid van ontvlambare vloeistoffen, gassen, dampen of andere stoffen.** Elektrische gereedschappen kunnen vonken veroorzaken, die deze stoffen tot ontbranding kunnen brengen.
- c) **Wanneer u elektrisch gereedschap gebruikt, houd dan kinderen en omstanders op afstand.** Wanneer u wordt afgeleid, kunt u de controle over het gereedschap verliezen.

2) Elektrische veiligheid

- a) **Stekkers van elektrische gereedschappen moeten probleemloos passen op het stopcontact. Breng nooit wijzigingen aan in of aan de stekker. Gebruik geen adapters voor geaarde elektrische gereedschappen.** Standaardstekkers en passende stopcontacten verkleinen de kans op een elektrische schok.
- b) **Voorkom lichamen contact met geaarde oppervlakken van bijvoorbeeld pijpen, leidingen, radiatoren, fornuizen en koelkasten.** Wanneer uw lichaam geaard is, wordt de kans op een elektrische schok groter.
- c) **Stel elektrische gereedschappen nooit bloot aan regen of vocht.** Wanneer er water binnendringt in een elektrisch gereedschap, wordt de kans op een elektrische schok groter.
- d) **Gebruik het snoer niet om het elektrisch gereedschap te dragen, te verplaatsen of de stekker uit het stopcontact te trekken. Bescherm het snoer tegen olie, warmte, scherpe randen en bewegende delen.** Beschadigde of vastzittende snoeren vergroten de kans op een elektrische schok.
- e) **Wanneer u elektrische gereedschappen buiten gebruikt, gebruik dan een verlengkabel die geschikt is voor buitengebruik.** Door een kabel te gebruiken die geschikt is voor buitengebruik, wordt de kans op een elektrische schok kleiner.
- f) **Gebruik een aardlekbeveiliging (RCD) als niet te voorkomen is dat een powertool moet worden gebruikt in een vochtige omgeving.** Gebruik van een RCD vermindert het risico van elektrische schokken.

3) Persoonlijke veiligheid

- a) **Blijf altijd alert, kijk goed wat u doet en gebruik uw gezonde verstand wanneer u een elektrisch gereedschap gebruikt. Gebruik geen elektrische gereedschappen wanneer u moe bent, of drugs, alcohol of medicijnen hebt gebruikt.** Eén moment van onachtzaamheid bij het gebruik van elektrische gereedschappen kan ernstige verwondingen tot gevolg hebben.
 - b) **Gebruik persoonlijke beschermingsmiddelen.** Draag altijd een veiligheidsbril. Een gepast gebruik van veiligheidsvoorzieningen, zoals een stofmasker, speciale werkschoenen met antislipzolen, een veiligheidshelm en gehoorbescherming verkleinen de kans op persoonlijk letsel.
 - c) **Voorkom dat het gereedschap per ongeluk wordt gestart. Zorg dat de schakelaar op de UITpositie staat, voordat u de stekker in het stopcontact steekt.** Draag elektrisch gereedschap nooit met uw vinger op de schakelaar en steek ook nooit de stekker van ingeschakelde elektrische gereedschappen in het stopcontact: dit leidt tot ongelukken.
 - d) **Verwijder alle instel en andere sleutels uit het elektrisch gereedschap voordat u hem inschakelt.** Instel en andere sleutels aan een ronddraaiend onderdeel van het elektrisch gereedschap kunnen tot verwondingen leiden.
 - e) **Zorg dat u nooit uw evenwicht kunt verliezen; houd altijd twee voeten stevig op de vloer.** Hierdoor kunt u het elektrisch gereedschap in onverwachte situaties beter onder controle houden.
 - f) **Zorg dat u geschikte kleding draagt. Draag geen loshangende kleding of sieraden. Houd uw haar, kleding en handschoenen uit de buurt van bewegende delen.** Loshangende kleding, sieraden en lang haar kunnen vast komen te zitten in bewegende delen.
 - g) **Wanneer er voorzieningen zijn voor de aansluiting van stofafzuiginstallaties, zorg dan dat ze op de juiste wijze worden aangesloten en gebruikt.** Gebruik van deze voorzieningen vermindert de gevaren die door stof worden veroorzaakt.
- 4) Gebruik en onderhoud van elektrisch gereedschap**
- a) **Oefen geen overmatige kracht uit op elektrisch gereedschap. Gebruik het juiste gereedschap voor uw specifieke toepassing.** Met het juiste elektrische gereedschap voert u de taak beter en veiliger uit wanneer dit op de snelheid gebeurt waarvoor het apparaat is ontworpen.

- b) **Gebruik nooit elektrisch gereedschap waarvan de AAN/UITschakelaar niet werkt.** Ieder elektrisch gereedschap dat niet kan worden in en uitgeschakeld met de schakelaar is gevaarlijk en moet worden gerepareerd.
- c) **Trek de stekker uit het stopcontact voordat u wijzigingen aanbrengt aan elektrische gereedschappen, accessoires verwisselt of het elektrisch gereedschap opbergt.** Wanneer u zich aan deze preventieve veiligheidsmaatregelen houdt, beperkt u het risico dat het gereedschap per ongeluk wordt gestart.
- d) **Berg elektrisch gereedschap dat niet in gebruik is op buiten bereik van kinderen en laat personen die niet bekend zijn met het gereedschap of deze instructies het apparaat niet gebruiken.** Elektrisch gereedschap is gevaarlijk in de handen van ongeofende gebruikers.
- e) **Zorg voor een goed onderhoud van elektrisch gereedschap. Controleer of bewegende delen op de juiste wijze zijn vastgezet. Controleer ook of er geen onderdelen defect zijn of dat er andere omstandigheden zijn die van invloed kunnen zijn op de werking van het gereedschap. Laat het gereedschap bij beschadigingen repareren vóór gebruik.** Veel ongelukken worden veroorzaakt door slecht onderhoud van het gereedschap.
- f) **Zorg dat snij en zaagwerktuigen scherp en schoon blijven.** Goed onderhouden snij en zaagwerktuigen met scherpe randen zullen minder snel vastlopen en zijn eenvoudiger onder controle te houden.
- g) **Gebruik alle elektrische gereedschappen, accessoires, bitjes etc., zoals aangegeven in deze instructies en op de wijze waarvoor het gereedschap is ontworpen. Houd daarbij rekening met de werkomstandigheden en de uit te voeren taak.** Gebruik van elektrisch gereedschap voor handelingen die afwijken van de taken waarvoor het apparaat is ontworpen kunnen leiden tot gevaarlijke situaties.
- 5) **Gebruik en onderhoud accugereedschap**
- a) **Laad alleen op met de lader die door de fabrikant is gespecificeerd.** Een lader die voor een bepaalde accu geschikt is, kan brand veroorzaken wanneer deze met een andere accu wordt gebruikt.
- b) **Gebruik elektrisch gereedschap alleen met de speciaal hiervoor bedoelde accu's.** Gebruik van andere accu's kan kans op letsel en brand geven.
- c) **Wanneer de accu niet in gebruik is, houd deze dan uit de buurt van andere metalen voorwerpen zoals paperclips, munten, sleutels, spijkers, schroeven of andere kleine metalen voorwerpen die een verbinding tussen twee polen kunnen maken.** Kortsluiting tussen de accupolen kan brandwonden of brand veroorzaken.
- d) **Wanneer de accu niet juist wordt gebruikt, kan er vloeistof uit lopen; raak dit niet aan. Wanneer dit per ongeluk wel gebeurt, spoel dan met water. Wanneer de vloeistof in de ogen komt, moet u een arts raadplegen.** De vloeistof uit de accu kan irritaties of brandwonden veroorzaken.
- 6) **Service**
- a) **Laat uw gereedschap onderhouden door een gekwalificeerde onderhoudstechnicus die alleen gebruikmaakt van identieke vervangingsonderdelen.** Dit zorgt ervoor dat de veiligheid van de powertool intact blijft.

AANVULLENDE VEILIGHEIDSWAARSCHUWINGEN

- Gebruik geen schuurbladen met te grote afmetingen, maar houd u aan de voorschriften van de fabrikant voor de maten van schuurbladen. Schuurbladen die over de rand van de steunschijf uitsteken, kunnen verwondingen veroorzaken en kunnen tot blokkeren, scheuren van de schuurbladen of terugslag leiden.
- Het afschuren van loodverf wordt afgeraden. Het verwijderen van loodverf mag alleen door een vakman gebeuren.
- Bewerk geen materialen waarbij voor de gezondheid gevaarlijke stoffen (zoals asbest) vrijkomen. Tref veiligheidsmaatregelen wanneer er stoffen kunnen ontstaan die schadelijk voor de gezondheid, brandbaar of explosief zijn. Draag stofmasker! Gebruik een afzuiginstallatie.
- Bewerk geen materialen die asbest bevatten. Asbest wordt als kankerverwekkend beschouwd.
- Gebruik de machine niet voor het schuren van magnesium werkstukken.
- Draag een veiligheidsbril. Draag gehoorbescherming. Gebruik indien nodig andere beschermingsmiddelen, zoals veiligheidshandschoenen, veiligheidsschoenen, etc.
- Houd de machine vast bij de geïsoleerde oppervlakken op plekken waar het accessoire in contact kan komen met verborgen bedrading of het netsnoer. Indien het accessoire in contact komt met een onder spanning staande draad,

kunnen de blootgestelde metalen delen van de machine ook onder spanning komen. Gevaar voor elektrische schok.

- Wees uiterst voorzichtig bij het schuren van geveerde oppervlakken.
- Verwijder voor gebruik alle spijkers en andere metalen voorwerpen uit het werkstuk.
- Zorg ervoor dat het werkstuk correct wordt ondersteund of vastgezet.
- Gebruik uitsluitend schuurpapier dat geschikt is voor gebruik met de machine.
- Gebruik uitsluitend schuurpapier met de juiste afmetingen. Zorg ervoor dat het schuurpapier correct is gemonteerd.
- Controleer het schuurpapier voor ieder gebruik. Gebruik geen schuurpapier dat door langdurig gebruik is versleten.
- Plaats de machine nooit op een tafel of een werkbank voordat deze uitgeschakeld is.

Elektrische veiligheid



Controleer altijd of de spanning van de voedingstoevoer overeenkomt met de spanning op het typeplaatje.

- Gebruik de machine niet indien het netsnoer of de netstekker zijn beschadigd.
- Gebruik uitsluitend verlengkabels die geschikt zijn voor het vermogen van de machine met een minimale dikte van 1,5 mm². Indien u een verlengkabelhaspel gebruikt, rol dan altijd de kabel volledig uit.

2. TECHNISCHE INFORMATIE

Bedoeld gebruik

De machine is ontworpen voor het schuren van hout, kunststoffen en metaal. Deze machine is uitsluitend geschikt voor droog schuren. De machine is niet geschikt voor verwerking van voorwerpen die asbest bevatten. Onjuist gebruik kan het gereedschap beschadigen.

TECHNISCHE SPECIFICATIES

Modelnr.	PS501AC
Spanning	230-240V~
Frequentie	50 Hz
Vermogen	130 W
Toerental onbelast	14.000/min

Schuurkussen diameter	150x150x100 mm
Gewicht	0,68 kg
Geluidsdruk L _{PA}	76+3 dB(A)
Geluidsvermogen L _{WA}	87+3 dB(A)
Vibratie	3,017+1,5 m/s ²



Draag gehoorbescherming.

Trillingsniveau

Het trillingsemismissieniveau, dat in deze gebruiksaanwijzing wordt vermeld, is gemeten in overeenstemming met een gestandaardiseerde test volgens EN 60745; deze mag worden gebruikt om twee machines met elkaar te vergelijken en als voorlopige beoordeling van de blootstelling aan trilling bij gebruik van de machine voor de vermelde toepassingen.

- Het gebruik van de machine voor andere toepassingen, of met andere of slecht onderhouden accessoires, kan het blootstellingsniveau aanzienlijk verhogen.
- Wanneer de machine is uitgeschakeld of wanneer deze loopt maar geen werk verricht, kan dit het blootstellingsniveau aanzienlijk reduceren.

Bescherm uzelf tegen de gevolgen van trilling door de machine en de accessoires te onderhouden, uw handen warm te houden en uw werkwijze te organiseren.

BESCHRIJVING

De nummers in de tekst verwijzen naar de diagrammen op pagina 2.

1. Aan/Uit-schakelaar
2. Greep
3. Stofopvangbox
4. Schuurkussen
5. Schuurpapier
6. Sleuf

3. ASSEMBLAGE



Schakel voor assemblage altijd de machine uit en verwijder de netstekker uit het stopcontact.

De stofopvangbox aansluiten (Afb. B)

Het wordt ten eerste aanbevolen de machine te gebruiken met de stofopvangbox (3), zodat het stof optimaal wordt opgevangen.

- Schuif de sleuf in de stofopvangbox over de nok van de stofuitgang aan de achterzijde.
- Zet de bak vast op z'n plaats door te draaien.

NB.: De stofopvangbox moet worden geleegd wanneer deze half vol is, zodat de stofopvang optimaal blijft werken.

Schuurpapier plaatsen en verwijderen (Afb. C)

- Houd de machine op z'n zij of ondersteboven, zoals in Afb. C1 wordt getoond
- Plaats schuurpapier (5) met de vereiste korrel op het schuurkussen (4). Controleer dat de perforatie in het schuurpapier (5) uitkomt op de perforatie op het schuurkussen (4), zoals wordt getoond in Afb. C2.
- U kunt het schuurpapier (5) verwijderen door het eenvoudig van het schuurkussen (4) te trekken.

NB.: Gebruik grof schuurpapier voor het schuren van ruwe, ongelijke oppervlakken. Gebruik schuurpapier met een gemiddelde korrel voor het verwijderen van de krassen die achterblijven van het grove schuurpapier. Gebruik fijn schuurpapier voor het afwerken van oppervlakken.

4. BEDIENING

In-/uitschakelen (Afb. A)

- Schakel de machine in door de Aan/Uit-schakelaar (1) in de stand I te drukken.
- Schakel het apparaat uit door op de Aan/Uit-schakelaar (1) in de stand 0 te drukken.

Aanwijzingen voor optimaal gebruik

- Houd de machine stevig met beide handen vast.
- Schakel de machine in.
- Plaats de schuurzool met schuurpapier op het werkstuk.
- Beweeg de machine langzaam over het werkstuk, waarbij de schuurzool stevig tegen het werkstuk wordt gedrukt.
- Oefen niet te veel druk uit op de machine. Laat de machine het werk doen.

5. ONDERHOUD



Zorg dat de machine niet onder spanning staat wanneer onderhoudswerkzaamheden aan het mechaniek worden uitgevoerd.

Reinig de machinebehuizing regelmatig met een zachte doek, bij voorkeur iedere keer na gebruik. Zorg dat de ventilatiesleuven vrij van stof en vuil zijn. Gebruik bij hardnekkig vuil een zachte doek bevochtigd met zeepwater. Gebruik geen oplosmiddelen als benzine, alcohol, ammonia, etc. Dergelijke stoffen beschadigen de kunststof onderdelen.

MILIEU



Defecte en/of afgedankte elektrische of elektronische gereedschappen dienen ter verwerking te worden aangeboden aan een daarvoor verantwoordelijke instantie.

Uitsluitend voor EG-landen

Werp elektrisch gereedschap niet weg bij het huisvuil. Conform de Europese Richtlijn 2012/19/EG voor Afgedankte Elektrische en Elektronische Apparatuur en de implementatie ervan in nationaal recht moet niet langer te gebruiken elektrisch gereedschap gescheiden worden verzameld en op een milieuvriendelijke wijze worden verwerkt.

GARANTIE

VONROC producten zijn ontworpen volgens de hoogste kwaliteitsstandaarden en gegarandeerd vrij van defecten, zowel materieel als fabrieksfouten, tijdens de wettelijk vastgestelde garantieperiode vanaf de eerste aankoopdatum. Mocht het product tijdens deze periode gebreken vertonen veroorzaakt door defecte materialen en/of fabrieksfouten, neem dan rechtstreeks contact op met VONROC.

De volgende situaties vallen niet onder de garantie:

- Er zijn reparaties of aanpassingen aan de machine uitgevoerd, of er is een poging daartoe ondernomen, door een nietgeautoriseerd servicecentrum.
- Normale slijtage.
- De machine is misbruikt, verkeerd gebruikt of slecht onderhouden.
- Er zijn niet-originele reserveonderdelen gebruikt

Dit vormt de enige garantie opgesteld door het bedrijf zowel expliciet als impliciet. Er bestaan geen andere garanties expliciet of impliciet welke verder gaan dan deze garantie, inclusief impliciete garanties van verkoopbaarheid en geschiktheid voor bepaalde doeleinden. In geen enkel geval kan

VONROC aansprakelijk worden gesteld voor incidentele schade of gevolgschade. Reparaties van dealers zijn gelimiteerd tot de reparatie of vervanging van defecte producten of onderdelen.

Het product en de gebruikershandleiding zijn onderhevig aan wijzigingen. Specificaties kunnen zonder opgave van redenen worden gewijzigd.

1. CONSIGNES DE SÉCURITÉ

En plus des avertissements de sécurité suivants, veuillez également lire les avertissements de sécurité additionnels ainsi que les instructions. Le non-respect des avertissements de sécurité et des instructions peut entraîner une décharge électrique, un incendie et/ou des blessures graves. Veuillez conserver les avertissements de sécurité et les instructions pour consultation ultérieure.

Les symboles suivants sont utilisés dans le manuel d'utilisation ou apposés sur le produit:



Lisez le manuel d'utilisation.



Signale un risque de blessures, un danger mortel ou un risque d'endommagement de l'outil en cas de non-respect des instructions de ce manuel.



Risque d'électrocution.



Variateur électronique de vitesse.



*Portez des lunettes de protection.
Portez une protection auditive.*



Portez un masque anti-poussière.



*Machine de classe II - Double isolation -
Vous n'avez pas besoin de prise avec mise à la terre.*



Le produit est conforme aux normes de sécurité applicables des directives européennes.

CONSIGNES GÉNÉRALES DE SÉCURITÉ



AVERTISSEMENT! Veuillez lire l'intégralité des avertissements de sécurité et des instructions. Le nonrespect de toutes les instructions indiquées cidessous peut entraîner un risque de choc électrique, d'incendie et/ou de blessures graves.

Conservez ces instructions.

Le terme "appareil électrique" mentionné dans tous les avertissements ci-dessous se rapporte à un appareil électrique qui se branche au réseau électrique (grâce à un câble d'alimentation) ou à un appareil électrique (sans fil) fonctionnant grâce à une batterie.

1) Espace de travail

- a) **Veillez toujours à garder votre espace de travail propre et bien éclairé.** Les espaces mal rangés et sombres peuvent être la cause d'accidents.
- b) **N'utilisez pas les appareils électriques dans des environnements susceptibles d'explosion, par exemple en présence de liquides inflammables, de gaz ou de particules.** Les appareils électriques provoquent des étincelles qui peuvent enflammer les particules des émanations.
- c) **Veillez à garder éloignés les enfants et les personnes se trouvant dans votre voisinage, lors de l'utilisation d'un appareil électrique.** Les distractions peuvent vous faire perdre le contrôle de l'appareil.

2) Mesures de sécurité électriques

- a) **Les prises des appareils électriques doivent être raccordées à la prise murale correspondante. Ne modifiez jamais la prise de l'appareil, de quelque façon que ce soit. N'utilisez pas d'adaptateurs qui mettent les appareils électriques à la terre (mise à la masse).** Des prises non modifiées et branchées à la prise murale correspondante réduiront les risques de choc électrique.
- b) **Évitez le contact direct avec les surfaces mises à la terre ou mises à la masse comme les canalisations, les radiateurs, les cuisinières et les réfrigérateurs.** En effet, le risque de choc électrique s'accroit si votre corps est mis à la terre ou à la masse.
- c) **N'utilisez pas d'outils électriques dans des environnements pluvieux ou humides.** Si de l'eau s'introduit dans un appareil électrique, le risque de choc électrique augmentera.
- d) **N'utilisez pas le câble de manière abusive. N'utilisez jamais le câble pour transporter, tirer ou débrancher l'appareil électrique. Veillez à garder le câble éloigné des sources de chaleur, des huiles, des rebords coupants ou des pièces actionnées.** Les câbles endommagés ou entremêlés augmentent le risque de choc électrique.
- e) **Lorsque un appareil est utilisé à l'extérieur, utilisez uniquement un câble prolongateur**

prévu à cet effet. L'utilisation d'un câble à usage extérieur réduit le risque de choc électrique.

- f) **Si vous êtes contraint d'utiliser un outil électrique dans un environnement humide, utilisez une alimentation protégée par un dispositif à courant résiduel (RCD).** L'utilisation d'un RCD réduit le risque de décharge électrique.
- #### 3) Sécurité personnelle
- a) **Restez vigilant, gardez un œil sur ce que vous faites et utilisez votre sens commun lors de l'utilisation d'un appareil électrique. N'utilisez pas un appareil électrique si vous êtes fatigué ou si vous êtes sous l'influence de drogues, d'alcool ou si vous prenez des médicaments.** Un moment d'inattention lors de l'utilisation des appareils électriques peut entraîner des blessures graves.
 - b) **Utilisez un équipement de protection personnelle. Protégez-vous toujours les yeux.** Les équipements de protection, tels qu'un masque à poussière, des chaussures antidérapantes, des protections auditives ou un casque de sécurité, utilisés dans de bonnes conditions, réduiront le risque de blessures.
 - c) **Prévenez tout démarrage involontaire. Assurez-vous que l'interrupteur est sur la position "arrêt avant de brancher l'appareil.** En effet, le transport des appareils électriques en gardant vos doigts sur l'interrupteur, ou le branchement de ces appareils en ayant l'interrupteur sur "marche accidents.
 - d) **Retirez les clés de réglage ou les clés de vis de réglage avant d'allumer l'appareil électrique.** Une clé de vis de réglage ou une clé, laissée sur une pièce en mouvement de l'appareil électrique, peut entraîner des lésions corporelles.
 - e) **Ne pas se précipiter. Gardez toujours vos pieds à plat et gardez votre équilibre.** Ceci permet de mieux contrôler l'appareil électrique dans des situations imprévues.
 - f) **Habillez-vous convenablement. Ne portez pas de vêtements lâches ou de bijoux. Gardez vos cheveux, vêtements et gants éloignés des pièces actionnées.** En effet, ces derniers peuvent être pris dans les pièces en action.
 - g) **Si les appareils sont fournis pour la connexion des équipements d'évacuation et de récupération de la poussière, assurez-vous que ces derniers soient correctement connectés et utilisés.** L'utilisation de ces appareils peut réduire les risques liés à la poussière.

4) Utilisation et entretien d'un appareil électrique

- a) **Ne forcez pas l'appareil électrique. Utilisez l'appareil électrique adéquat pour votre application.** Un appareil électrique correctement choisi assurera un meilleur travail et un travail sans danger, au rythme auquel il a été conçu.
- b) **N'utilisez pas l'appareil électrique si l'interrupteur marche/arrêt ne fonctionne pas.** Un appareil électrique qui ne peut pas être commandé par l'interrupteur de contrôle est dangereux et doit être réparé.
- c) **Débranchez la prise du bloc d'alimentation avant d'effectuer des réglages, de changer des accessoires, ou de ranger les appareils électriques.** Ces mesures de sécurité préventives réduiront le risque de démarrage involontaire de l'appareil électrique.
- d) **Rangez les appareils électriques arrêtés hors de la portée des enfants et ne laissez aucune personne, non familiarisée avec l'outil ou ces instructions, utiliser l'appareil électrique.** Les appareils électriques sont dangereux entre les mains d'utilisateurs non formés.
- e) **Entretenez les appareils électriques. Vérifiez tout défaut d'alignement et l'enchaînement des pièces actionnées, la rupture de ces dernières, et les autres conditions qui peuvent affecter le fonctionnement des appareils électriques. En cas de dommages, faites réparer l'appareil électrique avant de le réutiliser.** Nombreux sont les accidents provoqués par des appareils électriques mal entretenus.
- f) **Veillez à garder les outils coupants aiguisés et propres.** Des outils coupants correctement entretenus avec des lames aiguisées sont moins susceptibles de se bloquer et sont plus faciles à contrôler.
- g) **Utilisez l'appareil électrique, les accessoires et les embouts, etc., conformément à ces instructions et de la manière prévue pour le type spécifique de l'appareil électrique, en prenant en compte les conditions de travail et le travail à effectuer.** L'utilisation de l'appareil électrique dans des applications différentes de celles prévues peut entraîner des situations dangereuses.

5) Utiliser et soigner les outils à batterie

- a) **Rechargez la batterie uniquement avec le chargeur spécifié par le fabricant.** Un chargeur adapté à une certaine batterie peut être cause

de danger d'incendie quand on l'utilise avec une batterie différente.

- b) **Utilisez chaque outil uniquement avec la batterie conçue pour lui.** L'utilisation de toute autre batterie peut être cause de danger de blessure ou d'incendie.
- c) **Lorsque une batterie n'est pas en usage, gardez-la hors d'atteinte d'objets métalliques tels que les trombones, pièces de monnaie, clés, clous, vis et autres petits objets métalliques pouvant faire le contact entre une borne et l'autre.** Un court-circuit entre les bornes de la batterie peut être cause de brûlures ou d'incendie.
- d) **Dans des circonstances extrêmes, du liquide peut gicler hors de la batterie ; évitez tout contact. En cas de contact accidentel, rincez à l'eau. En cas de contact du liquide avec les yeux, consultez un médecin.** Le liquide qui gicle d'une batterie peut causer irritations ou brûlures.

6) Maintenance

- a) **L'entretien de votre outil électrique doit être confié à un réparateur qualifié qui utilise uniquement des pièces de rechange identiques aux pièces d'origine.** Cela permet d'assurer la sécurité de l'outil électrique

AVERTISSEMENTS DE SÉCURITÉ ADDITIONNELS

- N'utilisez pas de disque de ponçage surdimensionné et respectez les indications du fabricant relatives à la taille des disques de ponçage. Les disques de ponçage qui dépassent du plateau peuvent provoquer des blessures, ils peuvent se bloquer, se déchirer et provoquer un recul brutal.
- Le ponçage de peintures au plomb est déconseillé. L'enlèvement de peintures au plomb est une opération réservée à un spécialiste.
- Ne traitez jamais de matériaux d'où pourraient se dégager des substances dangereuses pour la santé (l'amiante par exemple). Prenez des mesures de protection si le travail risque de générer des poussières dangereuses pour la santé, inflammables ou explosives. Portez des masques anti-poussière. Utilisez des installations d'aspiration.
- Ne travaillez pas sur des matériaux contenant de l'amiante. L'amiante est considéré comme carcinogène.
- N'utilisez pas la machine pour poncer des pièces à ouvrir contenant du magnésium.

- Portez des lunettes de protection. Portez une protection auditive. Si nécessaire, utilisez d'autres équipements de protection: gants de sécurité, chaussures de sécurité, etc.
- Tenez la machine par les surfaces de poignée isolées lorsque l'accessoire peut toucher des câblages cachés ou le cordon secteur. Si l'accessoire touche un fil sous tension, les pièces métalliques exposées de la machine peuvent également être sous tension. Risque d'électrocution.
- Faites très attention en ponçant des surfaces peintes.
- Avant l'usage, retirez tous les clous et autres objets métalliques de la pièce à ouvrir.
- Assurez-vous que la pièce à ouvrir est correctement soutenue ou fixée.
- Utilisez uniquement du papier de ponçage adapté à cette machine.
- Utilisez uniquement du papier de ponçage aux dimensions correctes. Veillez à ce que le papier de ponçage soit correctement monté.
- Vérifiez le papier de ponçage avant chaque utilisation. N'utilisez pas un papier de ponçage usé par un usage prolongé.
- Ne posez jamais la machine sur une table ou un établi sans l'avoir mise hors tension.

Sécurité électrique



Vérifiez que la tension d'alimentation correspond à la tension nominale indiquée sur la plaque signalétique.

- N'utilisez pas la machine si le câble secteur ou la fiche secteur est endommagé.
- Utilisez uniquement des rallonges adaptées à la puissance nominale de la machine et d'une section minimum de 1,5 mm². Si vous utilisez une bobine de rallonge, déroulez toujours complètement le câble.

2. INFORMATIONS RELATIVES À LA MACHINE

Utilisation prévue

La machine a été conçue pour poncer le bois, le plastique et le métal. Cette machine n'est prévue que pour le ponçage à sec. La machine n'est pas adaptée pour traiter les objets contenant de l'amiante. Toute utilisation incorrecte peut endommager l'outil.

SPÉCIFICATIONS TECHNIQUES

N° de modèle	PS501AC
Tension	230-240V~
Fréquence	50 Hz
Puissance	130 W
Vitesse à vide	14.000/min
Diamètre patin de ponçage	150x150x100 mm
Poids	0,68 kg
Pression acoustique L _{PA}	76+3 dB(A)
Puissance acoustique L _{WA}	87+3 dB(A)
Vibration	3,017+1,5 m/s ²



Portez une protection auditive.

Niveau de vibrations

Le niveau des vibrations émises, indiqué dans ce manuel, a été mesuré conformément à la procédure décrite par la norme EN60745. Il peut être utilisé pour comparer deux outils ou pour réaliser une estimation préalable de l'exposition aux vibrations lors de l'utilisation de l'outil pour les applications mentionnées.

- L'utilisation de l'outil dans d'autres applications ou avec des accessoires différents ou mal entretenus peut considérablement augmenter le niveau d'exposition.
- La mise hors tension de l'outil et sa non-utilisation pendant qu'il est allumé peuvent considérablement réduire le niveau d'exposition.

Protégez-vous contre les effets des vibrations par un entretien correct de l'outil et de ses accessoires, en vous échauffant les mains et en organisant vos rythmes de travail.

DESCRIPTION

Les numéros dans le texte se rapportent aux schémas de la page 2.

1. Interrupteur Marche/Arrêt
2. Poignée
3. Bac à poussière
4. Patin de ponçage
5. Papier abrasif
6. Fente

3. MONTAGE



Avant le montage, mettez toujours la machine hors tension et débranchez la fiche de la prise secteur.

Installer le bac à poussière (Fig. B)

Il est fortement conseillé d'utiliser la machine avec son bac à poussière (3), qui garantit la récupération optimale des poussières.

- Glissez la fente du bac à poussière sur l'encoche au niveau de la sortie des poussières à l'arrière de la machine. • Effectuez une rotation pour verrouiller le bac en place.

Remarque: Le bac à poussière doit être vidé lorsqu'il est moitié-plein afin que conserver une récupération optimale des poussières.

Installer et retirer le papier abrasif (Fig. C)

- Tenez la machine sur le côté ou à l'envers, comme illustré par la Fig. C1
- Installez un papier abrasif (5) dont les grains sont de la bonne grosseur sur le patin de ponçage (4). Assurez-vous que les trous du papier abrasif (5) correspondent aux trous du patin de ponçage (4), comme illustré par la figure Fig. C2.
- Pour retirer le papier abrasif (5), soulevez-le simplement du patin de ponçage (4).

Remarque: Utilisez un papier abrasif à gros grains pour les ponçages grossiers de surfaces irrégulières. Utilisez un papier abrasif à grains moyens pour supprimer les rayures restantes après le passage du papier à gros grains. Utilisez un papier abrasif fin pour les finitions de surfaces.

4. FONCTIONNEMENT

Mettre en marche et éteindre (Fig. A)

- Pour allumer la machine, enfoncez l'interrupteur Marche/Arrêt (1) vers la position I.
- Pour éteindre la machine, enfoncez l'interrupteur Marche/Arrêt (1) jusqu'à la position 0.

Conseils pour une utilisation optimale

- Maintenez fermement la machine à deux mains.
- Mettez la machine en marche.
- Placez le patin de ponçage avec le papier de ponçage sur la pièce à ouvrir.

- Déplacez lentement la machine sur la pièce à ouvrir en appuyant fermement le patin de ponçage dessus.
- N'exercez pas de pression excessive sur la machine. Laissez la machine faire le travail.

5. ENTRETIEN



Si vous voulez procéder à des travaux d'entretien sur le mécanisme, mettez la machine hors secteur.

Nettoyez le corps de la machine régulièrement au moyen d'un chiffon doux, de préférence après chaque utilisation. Vérifiez que les ouvertures d'aération ne sont pas obstruées ni sales. Utilisez un chiffon doux légèrement humidifié avec de la mousse de savon pour nettoyer les taches persistantes. N'utilisez pas de produits de nettoyage tels que l'essence, l'alcool, l'ammoniac, etc.; ces produits peuvent endommager les parties synthétiques.

ENVIRONNEMENT



Les équipements électroniques ou électriques défectueux ou destinés à être mis au rebut doivent être déposés aux points de recyclage appropriés.

Uniquement pour les pays de l'UE

Ne jetez pas les outils électriques avec les déchets domestiques. Selon la Directive européenne 2012/19/CE relative aux déchets d'équipements électriques et électroniques et sa mise en œuvre dans le droit national, les outils électriques hors d'usage doivent être collectés séparément et mis au rebut de manière écologique.

GARANTIE

Les produits VONROC sont développés aux plus hauts standards de qualité et ils sont garantis contre les défauts de pièces et de main d'oeuvre pendant la durée légale stipulée à partir de la date d'achat d'origine du produit. En cas d'une quelconque panne du produit pendant cette durée qui serait due à un défaut matériel et/ou de main d'oeuvre, contactez directement VONROC.

Les circonstances suivantes ne sont pas prises en charge par la garantie:

- Des réparations ou altérations ont été effectuées ou tentées sur la machine par un centre de réparation non agréé.
- L'usure normale.
- L'outil a été maltraité, mal utilisé ou mal entretenu.
- Des pièces détachées non d'origine ont été utilisées

Ceci constitue l'unique garantie accordée par la société explicitement ou implicitement. Il n'existe aucune autre garantie, explicite ou implicite, qui peut s'étendre au delà du contenu ici présent, y compris les garanties marchandes ou d'adaptation à des fins particulières. En aucun cas VONROC ne sera tenu responsable de dommages accidentels ou consécutifs. Les solutions proposées par les revendeurs devront se limiter à la réparation ou le remplacement des éléments ou pièces non conformes.

Le produit et le manuel d'utilisation sont sujets à modifications. Les spécifications peuvent changer sans préavis.

1. INSTRUCCIONES DE SEGURIDAD

Lea las advertencias de seguridad, las advertencias de seguridad y las instrucciones, podrían producirse descargas eléctricas, incendios y/o lesiones graves. Conserve las advertencias de seguridad y las instrucciones para su posterior consulta.

Los siguientes símbolos se utilizan en el manual de usuario o en el producto:



Lea el manual de usuario.



Denota riesgo de lesiones personales, pérdida de vida o daños a la herramienta en caso de incumplimiento de las instrucciones del presente manual.



Riesgo de choque eléctrico



Velocidad electrónica variable



*Lleve gafas de seguridad.
Lleve protección auditiva.*



Lleve una máscara antipolvo.



Máquina de clase II - Doble aislamiento - No necesita enchufe con puesta a tierra.



El producto es conforme con las normas de seguridad vigentes en las Directivas Europeas.

INSTRUCCIONES GENERALES DE SEGURIDAD



PRECAUCIÓN! Lea todas las advertencias de seguridad y todas las instrucciones.
Si no lo hace, el uso indebido puede acarrear cortocircuitos, fuego o lesiones graves.

Conserve estas instrucciones.

El término "herramienta eléctrica", en todas las advertencias enumeradas a continuación se refiere a su herramienta eléctrica (i nalámbrica) que funciona con una batería o a través de la red eléctrica.

1) Área de trabajo

- Trabaje en un lugar limpio y bien iluminado.** Lugares no iluminados o sucios propician accidentes.
- No use herramientas eléctricas donde haya ries-**

go de fuego o explosión, p.ej: cerca de líquidos o gases inflamables, polvo etc. Las herramientas eléctricas producen chispas que pueden producir la ignición de partículas de humo.

- c) **Mantenga a los niños y otras personas alejados mientras utiliza la herramienta eléctrica.** Las distracciones pueden hacer que pierda el control de la herramienta.

2) Seguridad eléctrica

- a) **Cerciórese de que las clavijas de la herramienta eléctrica están correctamente enchufadas. Nunca modifique la clavija. No utilice ningún adaptador para la clavija de una herramienta eléctrica con conexión a tierra.** Las clavijas que no se hayan cambiado y los enchufes adecuados reducen el riesgo de cortocircuitos.
- b) **Evite el contacto humano con superficies con conexiones a tierra como tubos metálicos, conductos, tubos de la calefacción, radiadores y refrigeradores.** El riesgo de cortocircuitos es mayor cuando el cuerpo está en contacto con el suelo.
- c) **No use herramientas eléctricas bajo la lluvia o en entornos húmedos.** Si entra agua en una herramienta eléctrica aumenta el riesgo de cortocircuito.
- d) **No utilice el cable para todo. Nunca utilice el cable para mover la máquina, empujarla o sacar la clavija del enchufe. Mantenga el cable alejado del calor, aceite, zonas cortantes o piezas en movimiento.** Los cables dañados o enredados aumentan el riesgo de cortocircuito.
- e) **Use un cable alargador impermeable adecuado para exteriores cuando trabaje con la herramienta eléctrica al aire libre.** El riesgo de cortocircuito es menor si utiliza un cable alargador adecuado para exteriores.
- f) **Si no se puede evitar el uso de la herramienta eléctrica en un lugar húmedo, use suministro protegido mediante dispositivo diferencial residual (DDR).** El uso de un DDR reduce el riesgo de choque eléctrico.

3) Seguridad personal

- a) **No se descuide, preste atención a lo que está haciendo y utilice el sentido común mientras trabaje con esta herramienta. No use herramientas eléctricas cuando esté cansado o esté bajo los efectos del alcohol, las drogas o los medicamentos.** Un momento de distracción, mientras

utilice la herramienta eléctrica, puede provocar lesiones personales graves.

- b) **Use equipo de protección individual. Use siempre gafas protectoras.** El uso en condiciones apropiadas del equipo de seguridad como por ejemplo: mascarilla antipolvo, zapatos antideslizantes de seguridad, casco o protección para los oídos, disminuye el riesgo de sufrir lesiones personales.
- c) **Evite arranques involuntarios. Asegúrese de que el interruptor está en la posición de apagado antes de conectarlo a la fuente de electricidad.** Transportar herramientas eléctricas con el dedo puesto sobre el interruptor o enchufarlas con el interruptor encendido puede causar accidentes.
- d) **Quite cualquier llave de ajuste antes de encender la herramienta eléctrica.** Una llave olvidada junto a una pieza móvil de la herramienta eléctrica puede provocar lesiones personales graves.
- e) **No se estire demasiado. Mantenga siempre el equilibrio y tenga los pies en el suelo.** Esto permite un mayor control de la herramienta eléctrica en situaciones inesperadas.
- f) **Vístase apropiadamente. No lleve prendas holgadas o joyas. Mantenga su pelo, ropa y guantes alejados de las piezas móviles.** Las prendas holgadas, las joyas y el pelo largo pueden quedar atrapados en las piezas móviles.
- g) **Si se han suministrado dispositivos para la extracción y recogida de polvo asegúrese de que estos estén conectados y se utilicen correctamente.** El uso de estos dispositivos puede reducir los riesgos relacionados con el polvo.
- ## 4) Utilización y cuidados de la herramienta eléctrica
- a) **No fuerce la herramienta eléctrica. Utilice la herramienta eléctrica adecuada para el trabajo que vaya a realizar.** Una herramienta eléctrica apropiada realizará un trabajo mejor y más seguro si se utiliza para el objetivo con el que ha sido diseñada.
- b) **No use herramientas que no pueden encenderse o apagarse con el interruptor.** Las herramientas que ya no se puedan encender y apagar son peligrosas y deben repararse.
- c) **Desenchufe la clavija de la toma de electricidad antes de realizar modificaciones, cambiar accesorios o guardar las herramientas eléctricas.** Tales medidas de seguridad preventivas reducen el riesgo de la puesta en marcha accidental.
- d) **Mantenga a los niños alejados de una herramienta eléctrica sin utilizar y no permita a per-**

sonas que no estén familiarizadas con la máquina o estas instrucciones utilizar la herramienta.

La herramienta eléctrica puede ser peligrosa cuando la utilicen personas sin experiencia.

- e) **Conserve sus herramientas cuidadosamente. Verifique cualquier desalineación o agarrotamiento de piezas móviles, piezas dañadas y cualquier otra causa, que pudiera repercutir en el buen funcionamiento de la herramienta eléctrica. Si la herramienta está estropeada, repárela antes de utilizarla.** Muchos de los accidentes están causados por un mantenimiento insuficiente del equipo eléctrico.
- f) **Mantenga las herramientas de corte limpias y afiladas.** Sierras con esquinas cortantes con un buen mantenimiento se bloquean menos y son más fáciles de controlar.
- g) **Utilice la herramienta eléctrica, accesorios y brocas etc. Siguiendo las instrucciones atendiendo al tipo de herramienta eléctrica y tenga en cuenta las condiciones de trabajo y el tipo de trabajo que se va a realizar.** Puede ser peligroso realizar trabajos con la herramienta diferentes de aquellos para los que está diseñada.

5) Uso y cuidado de las herramientas alimentadas por batería

- a) **Recargue las baterías únicamente con el cargador recomendado por el fabricante.** Un cargador que es apto para un tipo de baterías determinado puede provocar riesgo de incendio si se usa para cargar otra clase de baterías.
- b) **Use las herramientas eléctricas sólo con las baterías indicadas específicamente.** El uso de otra clase de baterías diferente puede ocasionar el riesgo de derivar en lesiones o un incendio.
- c) **Cuando el paquete de baterías no esté en uso, consérvelo retirado de objetos metálicos como sujetapapeles, monedas, llaves, clavos, tornillos o cualquier otro objeto metálico pequeño que pueda hacer puente entre las terminales.** El contacto entre las terminales de la batería puede causar quemaduras o incendio.
- d) **Bajo condiciones extremas de abuso la batería podría expulsar un líquido; evite todo contacto. Si se produjese contacto accidentalmente, lávese bien con agua. Si el líquido hace contacto con los ojos, consulte también al médico.** El líquido emanado de la batería puede causar irritaciones o quemaduras.

6) Servicio

- a) **Haga reparar su herramienta eléctrica por una persona cualificada, usando solo piezas de repuesto idénticas.** Esto garantiza que se mantenga la seguridad de la herramienta eléctrica.

INSTRUCCIONES DE SEGURIDAD ADICIONALES

- No utilice hojas de lijar demasiado grandes, respete las especificaciones del fabricante sobre el tamaño de las hojas de lijar. Las hojas de lijar que sobresalen de la almohadilla para lijar pueden causar lesiones, bloquear y rasgar las hojas de lijar o causar contragolpes.
- Se recomienda no lijar pintura al plomo. La pintura al plomo debe ser removida solo por un especialista.
- No trabaje en materiales que liberen sustancias peligrosas (p. ej., amianto). Tome precauciones si es probable que se genere polvo peligroso, combustible o explosivo. Use mascarilla protectora antipolvo. Utilice un sistema de extracción de polvo.
- No trabaje con materiales que contengan amianto. El amianto se considera cancerígeno.
- No utilice la máquina para lijar piezas de trabajo de magnesio.
- Use gafas de seguridad. Use protectores auditivos. Si es necesario, utilice otros medios de protección, como guantes de seguridad, zapatos de seguridad, etc.
- Sujete la máquina por las superficies de agarre aisladas cuando el accesorio puede entrar en contacto con cables ocultos o con el cable de red. Si el accesorio entra en contacto con un cable bajo tensión, las partes metálicas expuestas de la máquina también pueden cargarse de tensión. Riesgo de choque eléctrico.
- Tenga mucho cuidado cuando lije superficies pintadas.
- Antes de lijar, retire todos los clavos y otros objetos metálicos que pudiera tener la pieza de trabajo.
- Asegúrese de que la pieza de trabajo esté bien apoyada o fijada.
- Utilice únicamente papel de lijar apto para lijar con la máquina.
- Utilice únicamente papel de lijar de las dimensiones correctas. Asegúrese de que el papel de lijar esté bien montado.
- Inspeccione el papel de lijar antes de cada uso. No utilice papel de lijar desgastado por el uso

prolongado.

- Nunca deje la máquina sobre una mesa o un banco de trabajo sin haberla desconectado.

Seguridad eléctrica



Compruebe siempre que la tensión del suministro eléctrico corresponda con la tensión de la placa de características.

- No utilice la máquina si el cable o el enchufe eléctrico han sufrido daños.
- Utilice únicamente cables alargadores que sean adecuados para la potencia nominal de la máquina con un grosor mínimo de 1.5 mm². Si utiliza un cable alargador en rollo, desenrolle totalmente el cable.

2. INFORMACIÓN DE LA MÁQUINA

Uso previsto

La máquina se ha diseñado para lijar madera, plástico y metales. La máquina solo es apta para lijado en seco. La máquina no es adecuada para procesar objetos que contengan amianto. El uso inadecuado puede dañar la herramienta.

SPÉCIFICATIONS TECHNIQUES

Numero modell	PS501AC
Tensione di alimentazione	230-240V~
Frequenza di alimentazione	50 Hz
Potenza assorbita	130 W
Velocità a vuoto	14.000/min
Diametro della mola	150x150x100 mm
Peso	0,68 kg
Livello di pressione sonora L _{PA}	76+3 dB(A)
Livello di potenza sonora L _{WA}	87+3 dB(A)
Vibrazione	3,017+1,5 m/s ²



Lleve protección auditiva.

Nivel de vibración

El nivel de emisión de vibraciones indicado en este manual de instrucciones ha sido medido según una prueba estándar proporcionada en EN 60745; puede utilizarse para comparar una herramienta con otra y como valoración preliminar de la exposición a las vibraciones al utilizar la herramienta con las

aplicaciones mencionadas:

- al utilizarla para distintas aplicaciones o con accesorios diferentes o con un mantenimiento deficiente, podría aumentar de forma notable el nivel de exposición;
- en las ocasiones en que se apaga la herramienta o cuando está funcionando pero no está realizando ningún trabajo, se podría reducir el nivel de exposición de forma importante.

Protéjase contra los efectos de la vibración realizando el mantenimiento de la herramienta y sus accesorios, manteniendo sus manos calientes y organizando sus patrones de trabajo.

DESCRIPCIÓN

Los números del texto se refieren a los diagramas en la página 2.

1. Interruptor de encendido/apagado
2. Asa
3. Bolsa para polvo
4. Almohadilla para lijar
5. Papel de lijar
6. Ranura

3. MONTAJE



Antes del montaje, apague siempre la máquina y saque el enchufe de la toma.

Conexión de la caja para polvo (Fig. B)

Se recomienda vivamente utilizar la máquina con la caja de polvo (3), para garantizar una recogida óptima del polvo.

- Deslice la ranura de la caja de polvo sobre la muela de la toma trasera para polvo.
- Gire para bloquear la caja en su posición.

Nota: La caja de polvo debe vaciarse cuando esté llena hasta la mitad, para mantener una recogida de polvo óptima.

Colocación y extracción del papel de lijar (Fig. C)

- Sujete la máquina de lado o boca abajo, como se muestra en la Fig. C1
- Coloque el papel de lijar (5) del grano que desee en la almohadilla para lijar (4). Compruebe que el orificio del papel de lijar (5) coincida con el orificio de la almohadilla para lijar (4), tal y como se muestra en la Fig. C2.

- Para extraer el papel de lijar (5), solo tiene que tirar del papel para sacarlo de la almohadilla para lijar (4).

Nota: per levigare superfici grezze o irregolari usare carta abrasiva a grana grossa. Per rimuovere i graffi residui prodotti dalla carta abrasiva a grana grossa utilizzare una carta abrasiva a grana media. Per la finitura delle superfici usare carta abrasiva a grana fine.

4. FUNCIONAMIENTO

Encendido y apagado (Fig. A)

- Para encender la máquina, pulse el interruptor de encendido/apagado (1) para ponerlo en posición I.
- Para apagar la máquina, suelte el interruptor de encendido/apagado (1) para ponerlo en posición 0.

Consejos para un uso óptimo

- Sujete bien la máquina con ambas manos.
- Encienda la máquina.
- Coloque la almohadilla para lijar con el papel de lijar sobre la pieza de trabajo.
- Mueva lentamente la máquina sobre la pieza de trabajo, presionando firmemente la almohadilla para lijar contra la pieza de trabajo.
- No ejercite demasiada presión sobre la máquina. Deje que la máquina haga el trabajo.
- Apague la máquina y espere a que se detenga completamente antes de apoyarla.

5. MANTENIMIENTO



Desconecte siempre la maquina de la red electrica principal antes de realizar cualquier trabajo de mantenimiento.

Limpie regularmente la carcasa de la maquina con un pano suave, preferentemente despues de cada uso. Compruebe que los orificios de ventilacion esten libres de polvo y suciedad. Elimine el polvo persistente utilizando un pano suave humedecido con agua y jabon. No use disolventes tales como gasolina, alcohol, amoniaco, etc. Tales productos quimicos pueden danar los componentes sinteticos.

MEDIOAMBIENTE



Los aparatos electricos o electronicos defectuosos y/o desechados deben recogerse en lugares de reciclado apropiado.

Solo para paises de la Comunidad Europea

No elimine las herramientas electricas como residuos domesticos. De acuerdo con la Directiva europea 2012/19/CE sobre residuos de aparatos electricos y electronicos, y su transposicion a las legislaciones nacionales, las herramientas electricas que ya no se utilizan deben recogerse por separado y eliminarse en modo ecologico.

CONDICIONES DE GARANTIA

Los productos VONROC han sido desarrollados con los mas altos estandares de calidad y VONROC garantiza que estan exentos de defectos relacionados con los materiales y la fabricacion durante el periodo legalmente estipulado, a contar desde la fecha de compra original. En caso de que el producto presente defectos relacionados con los materiales y/o la fabricacion durante este periodo, pongase directamente en contacto VONROC.

La presente garantia se excluye en los siguientes casos:

- Si centros de servicios no autorizados han realizado o han intentado realizar reparaciones y/o alteraciones a la maquina.
- Si se ha producido un desgaste normal.
- Si la herramienta ha sido mal tratada o usada en modo impropio, o se ha realizado incorrectamente su mantenimiento.
- Si se han utilizado piezas de repuesto no originales.

La presente constituye la unica garantia implicita y explicita que ofrece la compania. No existen otras garantias explicitas o implicitas que excedan las citadas aqui, incluidas las garantias implicitas de comerciabilidad e idoneidad para una finalidad en especial. VONROC no sera considerada responsable en ningun caso por danos incidentales o consecuentes. Los recursos a disposicion de los distribuidores se limitan a la reparacion o a la sustitucion de las unidades o piezas no conformes.

El producto y el manual de usuario están sujetos a variaciones. Las especificaciones pueden variarse sin previo aviso.

1. ISTRUZIONI DI SICUREZZA

Leggere accuratamente gli avvisi di sicurezza, gli avvisi di sicurezza aggiuntivi e le istruzioni. La mancata osservanza degli avvisi di sicurezza e delle istruzioni potrebbe causare scosse elettriche, incendio e/o gravi lesioni. Mantenere gli avvisi di sicurezza e le istruzioni a portata di mano per future consultazioni.

I seguenti simboli sono utilizzati nel presente manuale utente o sul prodotto:



Leggere il manuale per l'utente.



Denota il rischio di lesioni personali, morte o danni all'utensile in caso di mancata osservanza delle istruzioni contenute nel presente manuale.



Indica un pericolo di scossa elettrica.



Velocità elettronica variabile



*Indossare occhiali di protezione.
Indossare protezioni per l'udito.*



Indossare una mascherina anti-polvere.



*Apparecchio di Classe II - Doppio isolamento
- Non è necessario il collegamento a terra.*



Il prodotto è conforme agli standard pertinenti in materia di sicurezza previsti dalla legislazione Europea.

REGOLE GENERALI DI SICUREZZA



ATTENZIONE! Leggere tutte le avvertenze di sicurezza e tutte le istruzioni. *Se non si seguono tutte le istruzioni sotto elencate, si può incorrere in uno shock elettrico, in un incendio e/o in lesioni serie.*

Conservare queste istruzioni.

Il termine "arnese elettrico" in tutti gli avvertimenti sotto elencati si riferisce al vostro arnese elettrico che funziona a corrente (con filo) o ad un arnese che funziona a pile (senza filo).

1) Area di lavoro

- a) **Mantenere l'area di lavoro pulita e ben illuminata.** Aree buie e disordinate favoriscono gli incidenti.
- b) **Non usare arnesi elettrici in atmosfere esplosive, come vicino ai liquidi infiammabili, gas o polveri.** Gli arnesi elettrici creano scintille che possono incendiare la polvere dei vapori.
- c) **Tenere lontani bambini e altre persone mentre si accende l'arnese elettrico.** Le distrazioni possono farvi perdere il controllo.

2) Sicurezza elettrica

- a) **Le spine dell'arnese elettrico devono andare bene per la presa di corrente. Non modificare mai la spina in alcun modo. Non usare alcun adattatore con arnesi elettrici a terra (messo a terra).** Spine non modificate che vanno bene per le prese di corrente ridurranno il rischio di shock elettrico.
- b) **Evitare il contatto corporeo con superfici a terra come tubature, radiatori, fornelli e refrigeratori.** C'è un rischio maggiore di shock elettrico se il vostro corpo è a terra.
- c) **Non esporre arnesi elettrici alla pioggia o a condizioni di umidità.** Se dell'acqua penetra nell'arnese elettrico aumenterà il rischio di shock elettrico.
- d) **Non abusare del filo. Non usare mai il filo per trasportare, spingere o staccare dalla presa l'arnese elettrico. Tenere il filo lontano da calore, olio, bordi taglienti o parti mobili.** Fili danneggiati o aggrovigliati aumentano il rischio di shock elettrico.
- e) **Quando si accende un arnese elettrico all'aperto, usare una prolunga adatta a tale uso.** Usare un filo adatto all'uso all'aperto ridurrà il rischio di shock elettrico.
- f) **Se non è possibile evitare l'uso di un elettrotensile in ambiente umido, usare una rete di alimentazione protetta da un interruttore differenziale (salvavita).** L'uso di un salvavita riduce il rischio di scosse elettriche.

3) Sicurezza personale

- a) **Stare vigili e attento quando si accende un arnese elettrico. Non usare un arnese elettrico mentre si è stanco o sotto l'effetto di droghe, alcool o medicinali.** Un momento di disattenzione mentre si accendono arnesi elettrici può causare delle gravi lesioni personali.
- b) **Usare dispositivi di protezione individuale. Indossare sempre una protezione per gli occhi.**

Dispositivi di sicurezza come mascherina per la polvere, scarpe di sicurezza antiscivolo, casco, o protezioni per le orecchie usate nelle appropriate condizioni, ridurranno le lesioni personali.

- c) **Prevenire l'avvio accidentale. Assicurarsi che l'interruttore sia spento prima di collegarsi.** Trasportare elettrotensili tenendo il dito sull'interruttore di accensione o dare corrente ad elettrotensili con l'interruttore acceso può dare luogo a incidenti.
 - d) **Rimuovere ogni chiave regolatrice o chiave per dadi prima di accendere l'arnese elettrico.** Una chiave per dadi o una chiave lasciata attaccata ad una parte rotante dell'arnese elettrico può provocare lesioni personali.
 - e) **Cercare di mantenere l'equilibrio. Mantenere sempre un punto d'appoggio appropriato.** Questo consente un controllo migliore dell'arnese elettrico in situazioni inaspettate.
 - f) **Vestirsi adeguatamente. Non indossare vestiti larghi o gioielli. Tenere lontano capelli, vestiti e guanti dalle parti mobili.** Vestiti larghi, gioielli o capelli lunghi possono essere presi nelle parti mobili.
 - g) **Se vengono forniti dispositivi per la connessione dell'estrazione della polvere e attrezzature di raccolta, assicurarsi che questi siano collegati e usati correttamente.** L'uso di questi dispositivi può ridurre i rischi correlati alla polvere.
- 4) Uso e manutenzione dell'arnese elettrico**
- a) **Non forzare l'arnese elettrico. Usare l'arnese elettrico corretto per il vostro impiego.** L'arnese elettrico corretto farà il lavoro meglio e in maniera più sicura alla velocità per la quale è stato progettato.
 - b) **Non usare l'arnese elettrico se l'interruttore non si accende o non si spegne.** Ogni arnese elettrico che non può essere controllato con l'interruttore è pericoloso e deve essere riparato.
 - c) **Scollegare la spina dalla sorgente di elettricità prima di fare qualsiasi regolazione, cambiare gli accessori, o conservare arnesi elettrici.** Tali misure di sicurezza preventive riducono il rischio di accendere l'arnese elettrico accidentalmente.
 - d) **Conservare gli arnesi elettrici inattivi fuori dalla portata dei bambini e non permettere a persone che non hanno confidenza con l'arnese elettrico o con queste istruzioni di usare l'arnese elettrico.** Gli arnesi elettrici sono pericolosi per utenti inesperti.
 - e) **Mantenere gli arnesi elettrici. Controllare il non**

allineamento o l'attacco di parti mobili, la rottura di parti ed ogni altra condizione che può influire sul funzionamento degli arnesi elettrici. Se è danneggiato, far riparare l'arnese elettrico prima dell'uso. Molti incidenti sono causati da arnesi elettrici mantenuti male.

- f) **Mantenere gli arnesi da taglio affilati e puliti.** È meno probabile che si attacchino degli arnesi da taglio mantenuti correttamente con tagli affilate e questi sono anche più facili da controllare.
- g) **Usare l'arnese elettrico, gli accessori e le parti dell'arnese ecc, secondo queste istruzioni e nel modo pensato per il particolare tipo di arnese elettrico, tenendo conto delle condizioni di lavoro e del lavoro da svolgere.** L'uso dell'arnese elettrico per operazioni diverse da quelle pensate potrebbe causare situazioni pericolose.
- 5) Uso e manutenzione dell'utensile a batteria**
- a) **Ricaricare l'apparecchio esclusivamente con il caricabatterie specificato dal fabbricante.** Se si utilizza un caricabatterie di diverso tipo potrebbero verificarsi incendi.
- b) **Utilizzare gli utensili elettrici solo con i pacchi batterie appositamente prescritti.** L'uso di pacchi batterie di diverso tipo aumenta il rischio di infortunio o incendio.
- c) **Quando il pacco batterie non è in uso, tenerlo lontano da oggetti metallici quali fermagli, monete, chiavi, chiodi, viti o altri piccoli oggetti metallici che potrebbero mettere in collegamento i due poli.** Se i poli vengono messi in corto circuito, la batteria potrebbe emettere scintille o fiammate.
- d) **In condizioni di uso scorretto, la batteria potrebbe emettere liquido: evitare pertanto di entrarvi in contatto. In caso di contatto accidentale, risciacquare con acqua. Se il liquido entra a contatto con gli occhi, consultare immediatamente un medico.** Il liquido emesso dalla batteria può causare irritazioni o ustioni.
- 6) Riparazione**
- a) **L'assistenza per l'elettrotenso deve essere prestata da un tecnico qualificato che utilizzi soltanto ricambi originali.** In questo modo viene garantita la sicurezza dell'elettrotenso.

ISTRUZIONI DI SICUREZZA AGGIUNTIVE

- Non utilizzare fogli di carta abrasiva troppo grandi, ma scegliere il formato attenendosi alle specifiche del cliente. I fogli di carta abrasive che sporgono dal platello possono provocare lesioni alle persone oltre che bloccarsi e lacerarsi o causare un contraccolpo della macchina.
- Non è consigliato rimuovere con la levigatrice la vernice al piombo. La vernice contenente piombo deve essere rimossa esclusivamente da personale specializzato.
- Non lavorare su materiali che rilasciano sostanze pericolose (come, ad esempio, l'amianto). Se esiste la probabilità che venga generata polvere pericolosa combustibile o esplosiva, adottare le dovute precauzioni. Indossare una maschera antipolvere. Utilizzare un sistema di aspirazione delle polveri.
- Non utilizzare la macchina per levigare pezzi in magnesio.
- Indossare occhiali di sicurezza. Indossare protezioni per l'udito. Se necessario, utilizzare altri dispositivi di protezione, quali guanti, scarpe antinfortunistiche, ecc.
- Tenere la levigatrice dalle superfici di presa isolate, laddove l'accessorio possa entrare in contatto con fili elettrici nascosti o con il cavo di alimentazione. Se l'accessorio dovesse toccare un filo elettrico sotto tensione anche le parti metalliche esposte della macchina possono diventarlo. Rischio di scossa elettrica.
- Prestare molta attenzione nel levigare superfici verniciate.
- Prima dell'uso rimuovere tutti i chiodi e gli altri oggetti di metallo dal pezzo da levigare.
- Assicurarsi che il pezzo da levigare sia correttamente sostenuto o fissato.
- Usare esclusivamente carta abrasiva adatta per l'impiego con questa macchina.
- Usare esclusivamente carta abrasiva delle dimensioni corrette. Assicurarsi che la carta abrasiva sia fissata correttamente.
- Prima di ciascun utilizzo controllare la carta abrasiva.
- Non usare carta abrasiva usurata per via dell'uso prolungato.
- Non appoggiare mai la macchina su un tavolo o un banco da lavoro prima di averla spenta.

Sicurezza elettrica

Controllare sempre che la tensione di alimentazione corrisponda alla tensione indicata sulla targhetta delle caratteristiche.

- Non utilizzare l'elettrotensile quando il cavo o la spina di alimentazione sono danneggiati.
- Utilizzare esclusivamente cavi di prolunga idonei per la potenza nominale dell'elettrotensile, con conduttori di sezione minima di 1.5 mm². Quando si utilizza un cavo di prolunga con avvolgicavo, svolgere sempre completamente il cavo.

2. INFORMAZIONI RELATIVE ALL'ELETTROTENSILE**Uso previsto**

La macchina è progettata per la levigatura di legno, plastica e metallo. Questa macchina è adatta solamente per la levigatura a secco. Questa macchina non è adatta per lavorare su oggetti contenenti amianto. Un uso scorretto può danneggiare l'utensile.

DATI TECNICI

Numero modello	PS501AC
Tensione di alimentazione	230-240V~
Frequenza di alimentazione	50 Hz
Potenza assorbita	130 W
Velocità a vuoto	14.000/min
Diametro della mola	150x150x100 mm
Peso	0,68 kg
Livello di pressione sonora L _{PA}	76+3 dB(A)
Livello di potenza sonora L _{WA}	87+3 dB(A)
Vibrazione	3,017+1,5 m/s ²



Indossare protezioni per l'udito.

Livello delle vibrazioni

Il livello di emissione delle vibrazioni indicato sul retro di questo manuale di istruzioni è stato misurato in conformità a un test standardizzato stabilito dalla norma EN 60745; questo valore può essere utilizzato per mettere a confronto un l'utensile con un altro o come valutazione preliminare di esposizione alla vibrazione quando si impiega l'utensile per le applicazioni menzionate:

- se si utilizza l'utensile per applicazioni diverse, oppure con accessori differenti o in scarse condizioni, il livello di esposizione potrebbe aumentare notevolmente;
- i momenti in cui l'utensile è spento oppure è in funzione ma non viene effettivamente utilizzato per il lavoro, possono contribuire a ridurre il livello di esposizione.

Proteggersi dagli effetti della vibrazione effettuando la manutenzione dell'utensile e dei relative accessori, mantenendo le mani calde e organizzando i metodi di lavoro.

DESCRIZIONE

I numeri che compaiono nel testo si riferiscono agli schemi riportati a pagine 2

1. Interruttore di avvio/arresto
2. Impugnatura
3. Contenitore raccogli-polvere
4. Platorello
5. Carta abrasiva
6. Slot

3. MONTAGGIO

Prima del montaggio, spegnere sempre l'elettrotensile e disconnettere la spina di alimentazione dalla rete elettrica.

Collegare il contenitore raccogli-polvere (Fig. B)

Si raccomanda vivamente di utilizzare la macchina con il contenitore raccogli-polvere (3), al fine di assicurare una raccolta delle polveri ottimale.

- Far scorrere lo slot nel contenitore raccogli-polvere sopra l'intaccatura sullo scarico posteriore delle polveri.
- Girare il contenitore per bloccarlo nella sua sede.

Nota: per garantire la raccolta ottimale delle polveri il contenitore raccogli-polvere deve essere svuotato quando è pieno per metà.

Fissaggio e rimozione della carta abrasiva (Fig. C)

- Tenere la macchina sul lato o a testa in giù, come illustrato nella Figura C1
- Fissare la carta abrasiva (5) con la grana richiesta sul platorello (4). Assicurarsi che il foro nella carta abrasiva (5) corrisponda al foro sul

platorello (4) come da Fig. C2.

- Per rimuovere la carta abrasiva (5), staccar semplicemente la carta dal platorello (4).

Nota: per levigare superfici grezze o irregolari usare carta abrasiva a grana grossa. Per rimuovere i graffi residui prodotti dalla carta abrasiva a grana grossa utilizzare una carta abrasiva a grana media. Per la finitura delle superfici usare carta abrasiva a grana fine.

4. FUNZIONAMENTO

Accensione e spegnimento (Fig. A)

- Per accendere l'elettrotensile premere l'interruttore di accensione/spegnimento (1) e portarlo sulla posizione I.
- Per spegnere l'elettrotensile rilasciare l'interruttore di accensione/spegnimento (1) e portarlo sulla posizione 0.

Suggerimenti per un utilizzo ottimale

- Tenere saldamente la macchina con entrambe le mani.
- Accendere la macchina.
- Posizionare il platorello con la carta abrasiva sul pezzo da lavorare.
- Muovere lentamente la macchina sul pezzo da lavorare, premendo con decisione il platorello contro il pezzo.
- Non esercitare troppa pressione sulla macchina. Lasciare che sia la macchina a svolgere il lavoro.
- Spegner la macchina e attendere che si arresti completamente prima di appoggiarla.

5. MANUTENZIONE



Prima di eseguire qualsiasi intervento di manutenzione scollegare sempre la macchina dalla presa di corrente.

Pulire regolarmente il corpo dell'elettrotensile con un panno morbido, preferibilmente dopo ogni uso. Assicurarsi che le prese d'aria siano libere da polvere e sporcizia. Rimuovere lo sporco particolarmente ostinato con un panno morbido inumidito con acqua e sapone. Non utilizzare solventi come benzina, alcol, ammoniaca, ecc. Le sostanze chimiche di questo tipo danneggiano i componenti sintetici.

RISPETTO AMBIENTALE



Le apparecchiature elettriche o elettroniche difettose e/o scartate devono essere raccolte presso gli opportuni siti di riciclaggio.

Solo per i Paesi CE

Non smaltire gli elettrotensili insieme ai rifiuti domestici. Secondo la Direttiva europea 2012/19/EC sui rifiuti delle apparecchiature elettriche ed elettroniche e relativa implementazione nelle normative locali, gli elettrotensili ormai inutilizzabili devono essere raccolti separatamente e smaltiti in modo ecologico.

DEFINIZIONI DELLA GARANZIA

I prodotti VONROC sono sviluppati secondo i più elevati standard di qualità e viene garantita l'assenza di difetti nei materiali e nella manodopera per il periodo contrattuale a partire dalla data di acquisto originale. Qualora il prodotto dovesse subire un guasto qualsiasi durante questo periodo a causa di difetti nei materiali e/o nella manodopera, si prega di contattare direttamente il VONROC.

Le seguenti circostanze sono escluse da questa garanzia:

- Riparazioni e/o modifiche alla macchina sono state eseguite o tentate da centri di assistenza non autorizzati.
- Normale usura.
- L'utensile è stato abusato, utilizzato o manuttenuto in modo improprio.
- Sono state utilizzate parti di ricambio non originali

Cio costituisce l'unica garanzia espressa o implicita fornita dall'azienda. Non esistono altre garanzie esresse o implicite che si estendono oltre il presente documento, ivi comprese le garanzie implicite di commerciabilità e idoneità per uno scopo particolare. In nessun caso VONROC sarà responsabile di eventuali danni incidentali o consequenziali. I rimedi dei rivenditori saranno limitati alla riparazione o sostituzione di unità o parti non conformi.

Il prodotto e il manuale per l'utente sono soggetti a modifiche. I dati tecnici possono essere modificati senza ulteriore notifica.

1. INSTRUKCJE DOTYCZĄCE

Przeczytać dołączone ostrzeżenia dotyczące bezpieczeństwa, dodatkowe ostrzeżenia dotyczące bezpieczeństwa oraz instrukcje. Nieprzestrzeganie ostrzeżeń dotyczących bezpieczeństwa oraz instrukcji może prowadzić do porażenia prądem, pożaru i/lub poważnych obrażeń ciała. Zachować ostrzeżenia dotyczące bezpieczeństwa oraz instrukcje na przyszłość.

Następujące symbole są umieszczone w instrukcji obsługi lub na produkcie:



Przeczytać instrukcję obsługi.



Oznacza ryzyko obrażeń ciała, śmierci lub uszkodzenia narzędzia w razie nieprzestrzegania poleceń z instrukcji.



Ryzyko porażenia prądem



Zmienna prędkość elektroniczna.



*Używać gogli ochronnych.
Stosować osłonę dla uszu.*



Nos maskę przeciwpyłową.



Maszyna klasy II - Podwójna izolacja - Nie trzeba stosować wtyczek z uziemieniem.



Produkt spełnia wymogi odpowiednich norm bezpieczeństwa podanych w dyrektywach UE.

OGÓLNE ZALECENIA DOTYCZĄCE BEZPIECZEŃSTWA



UWAGA! Przeczytać wszystkie ostrzeżenia dotyczące bezpieczeństwa i wszystkie instrukcje. Nieprzestrzeganie wszystkich poniższych instrukcji może być przyczyną porażenia prądem, pożaru i/lub poważnych obrażeń.

Zachowaj poniższe instrukcje.

Termin „elektronarzędzia akumulatorowe” we wszystkich ostrzeżeniach zamieszczonych poniżej odnosi się do elektronarzędzi akumulatorowych zasilanych sieciowo (przewodowych) lub elektronarzędzi akumulatorowych działających na baterie (beprzewodowych).

- 1) **Obszar roboczy**
 - a) **Obszar roboczy należy utrzymywać w czystości.** Powinien on być dobrze oświetlony. Nieład i złe oświetlenie mogą z łatwością doprowadzić do wypadku.
 - b) **Nie korzystaj z elektronarzędzi akumulatorowych w warunkach, w których łatwo może dojść do wybuchu, np. w obecności łatwopalnych cieczy, gazów lub pyłu.** Podczas pracy elektronarzędzi akumulatorowych powstają iskry, które mogą doprowadzić do zapłonu pyłu lub oparów.
 - c) **Dzieci i inne osoby postronne powinny pozostać w bezpiecznej odległości od pracującego urządzenia.** Rozproszenie uwagi może spowodować utratę kontroli nad urządzeniem.
- 2) **Bezpieczeństwo związane z elektrycznością**
 - a) **Wtyczki elektronarzędzi akumulatorowych muszą być odpowiednie do danego gniazda. Pod żadnym pozorem nie należy modyfikować wtyczki w jakikolwiek sposób. Nie należy używać adapterów, które uziemiają elektronarzędzia akumulatorowe.** Stosowanie wtyczek nie poddanych modyfikacjom oraz odpowiednich gniazd zmniejsza ryzyko porażenia prądem.
 - b) **Należy unikać bezpośredniego kontaktu fizycznego z powierzchniami uziemionymi, takimi jak rury, grzejniki, kuchenki, lodówki.** Ryzyko porażenia prądem jest większe, jeśli ciało osoby obsługującej urządzenie jest uziemione.
 - c) **Nie należy wystawiać elektronarzędzi akumulatorowych na działanie deszczu lub wilgoci.** Dostanie się wody do wnętrza elektronarzędzia akumulatorowego zwiększy ryzyko porażenia prądem.
 - d) **Nie należy używać przewodu w niewłaściwy sposób. Pod żadnym pozorem nie należy wykorzystywać przewodu do przenoszenia lub ciągnięcia elektronarzędzia akumulatorowego, ani do jego odłączania od sieci. Przewodu nie należy wystawiać na działanie ciepła, smarów. Powinien on znajdować się w bezpiecznej odległości od ostrych krawędzi i części ruchomych.** Przewody uszkodzone lub poplątane zwiększają ryzyko porażenia prądem.
 - e) **Podczas korzystania z elektronarzędzia akumulatorowego na wolnym powietrzu, należy używać przewodu przedłużacza przystosowanego do użytku na zewnątrz.** Używanie przewodu nadającego się do użytku na wolnym powietrzu zmniejsza ryzyko porażenia prądem.

- f) **Jeśli obsługa elektronarzędzia w wilgotnym miejscu jest nieunikniona, użyć zasilania wyposażonego w wyłącznik różnicowo-prądowy.** Użycie wyłącznika różnicowo-prądowego zmniejsza ryzyko porażenia prądem.
- 3) **Bezpieczeństwo osoby obsługującej urządzenie**
- a) **Przez cały czas należy mieć się na baczności, uważać na to, co się robi, a w czasie obsługi elektronarzędzia akumulatorowego postępować mając na uwadze zdrowy rozsądek. Urządzenia nie powinny obsługiwać osoby zmęczone lub będące pod wpływem narkotyków, alkoholu lub leków.** Chwila nieuwagi w czasie obsługi elektronarzędzi akumulatorowych może być przyczyną powstania poważnych obrażeń ciała.
- b) **Należy korzystać ze sprzętu ochronnego oraz zawsze nosić okulary ochronne.** Sprzęt ochronny, jak na przykład maska przeciwpyłowa, antypoślizgowe obuwie ochronne, kask lub słuchawki ochronne używany we właściwych sytuacjach pozwoli na zmniejszenie ryzyka obrażeń ciała.
- c) **Unikać niezamierzonego uruchomienia. Przed podłączeniem urządzenia do sieci, zawsze sprawdzić, czy przełącznik znajduje się w pozycji „wyłączony”.** Przenoszenie elektronarzędzi z palcem na przełączniku lub włączonych elektronarzędzi z przełącznikiem w położeniu włączenia jest bardzo niebezpieczne i może powodować wypadki.
- d) **Przed włączeniem elektronarzędzia akumulatorowego należy usunąć z niego wszystkie klucze nastawcze lub maszynowe.** Pozostawienie klucza zamocowanego na jednej z części obrotowych urządzenia może spowodować powstanie obrażeń ciała.
- e) **Nie należy sięgać ponad urządzeniem. Przez cały czas należy zachować odpowiednią równowagę i zapewnić odpowiednie oparcie dla stóp.** Pozwoli to na lepsze kontrolowanie urządzenia w nieoczekiwanych sytuacjach.
- f) **Należy nosić odpowiednie ubranie. Do pracy z urządzeniem nie wkładać luźnych ubrań ani biżuterii. Włosy, ubranie i rękawiczki trzymać z dala od części ruchomych.** Luźne części ubrania, biżuteria lub długie włosy mogą zostać wciągnięte przez części ruchome.
- g) **Jeśli w urządzeniu przewidziano elementy służące do odprowadzania i zbierania pyłu, należy sprawdzić, czy są podłączone, i czy działają we właściwy sposób.** Korzystanie z tego typu elementów pozwala ograniczyć ryzyko związane z wydzielaniem pyłu podczas pracy urządzenia.
- 4) **Obsługa i konserwacja elektronarzędzi akumulatorowych**
- a) **Urządzenia nie należy przeciążać. Należy korzystać z narzędzia odpowiedniego do danego typu pracy.** Odpowiednio dobrane urządzenie pozwoli na lepsze i bezpieczniejsze wykonanie pracy, we właściwym dla urządzenia tempie.
- b) **Z elektronarzędzia akumulatorowego nie należy korzystać, jeśli nie można go włączyć i wyłączyć przy pomocy przełącznika.** Urządzenie, którego nie można kontrolować używając przełącznika jest niebezpieczne i powinno być oddane do naprawy.
- c) **Przed przystąpieniem do regulowania elektronarzędzi akumulatorowych, wymiany akcesoriów lub przygotowywania urządzeń do okresu przechowywania, należy odłączyć wtyczkę od źródła zasilania.** Tego typu środki ostrożności zmniejszają ryzyko przypadkowego uruchomienia urządzenia.
- d) **Nieczynne elektronarzędzia akumulatorowe należy przechowywać poza zasięgiem dzieci. Nie należy pozwolić, aby osoby nie znające urządzenia lub niniejszych instrukcji obsługiwały urządzenie.** Elektronarzędzia akumulatorowe w rękach niekompetentnych użytkowników stanowią zagrożenie.
- e) **Elektronarzędzia akumulatorowe należy utrzymywać w dobrym stanie technicznym. Należy sprawdzać, czy części ruchome są właściwie założone, i czy się nie zacinają. Należy również sprawdzać, czy jakieś części nie są uszkodzone oraz sprawdzać wszelkie inne elementy, które mogą wpłynąć na pracę urządzeń. Jeśli urządzenie jest uszkodzone, przed przystąpieniem do jego użytkowania, należy je naprawić.** Często przyczyną wypadków jest zły stan techniczny urządzeń.
- f) **Narzędzia służące do cięcia powinny być naostrzone i utrzymywane w czystości.** Jeśli narzędzia służące do cięcia, które posiadają ostre krawędzie tnące, są właściwie konserwowane, istnieje mniejsze prawdopodobieństwo ich zacinania się. Ponadto, łatwiej je kontrolować.
- g) **Elektronarzędzia akumulatorowego, akcesoriów, nakładek, itp. należy używać zgodnie z niniejszymi instrukcjami oraz w sposób właściwy dla danego rodzaju urządzenia, z**

u względniem warunków pracy oraz jej rodzaju. Używanie urządzenia niezgodnie z przeznaczeniem może prowadzić do powstania sytuacji niebezpiecznych.

5) Użytkowanie i konserwacja urządzenia zasilanego akumulatorkami

- a) **Ładować tylko przy użyciu ładowarki określonej przez producenta.** Ładowarka przewidziana dla jednego rodzaju akumulatorów stwarza ryzyko pożaru w przypadku użycia jej z innym zestawem akumulatorów.
- b) **Należy używać jedynie akumulatorów przeznaczonych dla danego urządzenia.** Użycie innych akumulatorów stwarza ryzyko wystąpienia obrażeń ciała lub pożaru.
- c) **Kiedy akumulatorki nie są używane, należy przechowywać je z dala od przedmiotów metalowych, takich jak spinacze do papieru, monety, klucze, gwoździe, śruby lub inne niewielkie przedmioty metalowe, które mogłyby spowodować zwarcie pomiędzy stykami.** Zwarcie styków akumulatorka może spowodować pożar.
- d) **W przypadku przecięcia z akumulatorka może wycieknąć płyn; nie należy go dotykać. W razie przypadkowego kontaktu przemyć skórę wodą. W przypadku dostania się płynu do oczu należy skontaktować się z lekarzem.** Płyn z akumulatorka może powodować podrażnienia lub oparzenia.

6) Serwis

- a) **Zlecać serwisowanie elektronarzędzie wykwalifikowanemu technikowi stosującymi jedynie części zamienne identyczne z oryginalnymi.** Zapewni to zachowanie bezpieczeństwa elektronarzędzia.

DODATKOWE INSTRUKCJE DOTYCZĄCE BEZPIECZEŃSTWA

- Nie używać za dużych arkuszy papieru ściernego, lecz przestrzegać zaleceń producenta dotyczących rozmiaru arkuszy papieru ściernego. Arkusze papieru ściernego wystające poza podkładkę do szlifowania mogą powodować obrażenia ciała, blokowanie i rozrywanie papieru ściernego lub odskakiwanie narzędzia.
- Nie zaleca się szlifowania farby ołowiowej. Farbę ołowiową powinien usuwać wyłącznie specjalista.
- Nie pracować z materiałami uwalniającymi substancje niebezpieczne (np. azbest). Podjąć

środki ostrożności, jeśli może występować pył niebezpieczny, palny lub wybuchowy. Nosić ochronną maskę przeciwpyłową. Używać systemu odsysania pyłu.

- Nie pracować z materiałami zawierającymi azbest. Azbest jest uznawany za substancję rakotwórczą.
- Nie używać narzędzia do szlifowania magnezu.
- Nosić okulary ochronne. Nosić ochronniki słuchu. W razie potrzeby korzystać z innych środków ochrony, jak rękawice ochronne, buty ochronne itp.
- Trzymać maszynę za izolowane powierzchnie do chwytania, jeśli istnieje ryzyko zetknięcia się akcesorium z niewidocznym okablowaniem lub kablem sieciowym. Jeśli akcesorium dotknie przewodu pod napięciem, odstąpięte metalowe części maszyny również znajdują się pod napięciem. Ryzyko porażenia prądem.
- Zachować szczególną ostrożność podczas szlifowania malowanych powierzchni.
- Przed rozpoczęciem pracy usunąć wszystkie gwoździe i inne metalowe przedmioty z obrabianego elementu.
- Zapewnić prawidłowe podparcie lub zamocowanie obrabianego przedmiotu.
- Używać wyłącznie papieru ściernego nadającego się do użytku w połączeniu z narzędziem.
- Używać wyłącznie papieru ściernego o właściwych wymiarach. Zapewnić poprawne zamontowanie papieru ściernego.
- Sprawdzić papier ścierny przed każdym użyciem. Nie używać papieru ściernego zużytego w wyniku długotrwałego stosowania.
- Nigdy nie odkładać maszyny na stół albo blat roboczy przed jej wyłączeniem.

Bezpieczeństwo elektryczne



Zawsze sprawdzać, czy napięcie zasilania jest zgodne z napięciem podanym na tabliczce znamionowej.

- Nie używać urządzenia, jeśli jego kabel zasilający jest uszkodzony lub wtyczka kabla zasilającego jest uszkodzona.
- Używać wyłącznie przedłużaczy przystosowanych do pracy z parametrami zasilania urządzenia o minimalnej grubości 1,5 mm². W przypadku korzystania z przedłużacza w zwoju, zawsze całkowicie rozwinąć zwój.

2. INFORMACJE O MASZYNIE

Przeznaczenie

Narzędzie jest przeznaczone do szlifowania drewna, tworzyw sztucznych i metalu. Narzędzie jest przeznaczone wyłącznie do szlifowania na sucho. Maszyna nie jest przeznaczona do obróbki powierzchni zawierających azbest. Niewłaściwe użytkowanie może spowodować uszkodzenie narzędzia.

DANE TECHNICZNE

Nr modelu	PS501AC
Napięcie	230-240V ~
Częstotliwość	50 Hz
Pobór mocy	130W
Obroty bez obciążenia	14.000/min
Średnica podkładki szlifującej	150x150x100 mm
Ciezar	0.68 kg
Poziom ciśnienia akustycznego L_{PA}	76+3 dB(A)
Poziom mocy akustycznej L_{WA}	87+3 dB(A)
Drgania	3.017+1.5 m/s ²



Stosować osłonę dla uszu.

Poziom drgań

Poziom emisji drgań podany w tej instrukcji obsługi został zmierzony zgodnie ze standaryzowanym testem podanym w normie EN 60745; może on służyć do porównywania narzędzi ze sobą oraz do wstępnego oszacowania ekspozycji na drgania podczas użytkowania narzędzia do podanych zastosowań

- używanie narzędzia do innych zastosowań lub z innymi lub źle konserwowanymi akcesoriami może znacząco zwiększać poziom ekspozycji
- okresy, gdy narzędzie jest wyłączone lub okresy, gdy jest włączone, ale nie pracuje, mogą znacząco zmniejszać poziom ekspozycji

Chronić się przed wpływem drgań, konserwując odpowiednio narzędzie i akcesoria, utrzymując ciepłotę dłoni oraz odpowiednio organizując pracę.

OPIS

Liczby w tekście odnoszą się do rysunków na stronie 2.

1. Przełącznik wł./wył.
2. Uchwyt
3. Pojemnik na pył
4. Podkładka szlifująca
5. Papieru ściernego
6. Szczelina

3. MONTAŻ



Przed montażem należy zawsze wyłączyć urządzenie i odłączyć od sieci zasilającej.

Podłączanie pojemnika na pył (Rys. B)

Zaleca się używanie maszyny w połączeniu z pojemnikiem na pył (3), który zapewnia optymalne gromadzenie pyłu.

- Nasunąć szczelinę w pojemniku na pył na karb na tylnym wylocie pyłu.
- Przekręcić, aby zablokować pojemnik w prawidłowym położeniu.

Uwaga: Pojemnik na pył należy opróżnić, gdy będzie napełniony w połowie, aby zachować optymalne gromadzenie pyłu.

Montaż i zdejmowanie papieru ściernego

- Położyć narzędzie na boku lub spodem do góry i przytrzymać, zgodnie z Rys. C1
- Założyć papier ścierny (5) o odpowiednim rozmiarze ziarna na podkładkę szlifującą (4). Upewnić się, czy perforacja na papierze ściernym (5) odpowiada perforacji na podkładce szlifującej (4). Rys.C2.
- Aby usunąć papier ścierny (9), po prostu ściągnąć go z podkładki do szlifowania (4).

Uwaga: Używać gruboziarnistego papieru ściernego do szlifowania szorstkich i nierównych powierzchni. Używać papieru ściernego ze średnim rozmiarem ziarna do usuwania rys pozostałych po papierze gruboziarnistym. Używać papieru ściernego o niewielkim rozmiarze ziarna do wykańczania powierzchni.

4. OBSŁUGA

Włączanie i wyłączenie (Rys. A)

- Aby włączyć urządzenie, nacisnąć przełącznik wł./wył. (1).
- Aby wyłączyć urządzenie, zwolnić przełącznik wł./wył. (1).

Wskazówki dla optymalnej pracy

- Mocno trzymać narzędzie obiema rękami.
- Włączyć urządzenie.
- Umieścić podkładkę szlifującą z założonym papierem ściernym na obrabianym przedmiocie.
- Powoli przesunąć urządzenie, mocno dociskając podkładkę szlifującą do szlifowanego przedmiotu.
- Nie stosować nadmiernej siły na urządzenie. Wykonać nacięcie.
- Wyłączyć urządzenie i poczekać do jego pełnego zatrzymania przed odłożeniem na bok.

5. KONSERWACJA



Zawsze odłączać narzędzie od zasilania sieciowego przed rozpoczęciem przeprowadzania jakichkolwiek prac konserwacyjnych.

Czyścić obudowę maszyny regularnie miękką ściereczką, najlepiej po każdym użyciu. Dopilnować, aby otwory wentylacyjne były wolne od pyłu, kurzu i zabrudzeń. Usuwać odporne zabrudzenia miękką ściereczką zwilżoną mydlinami. Nie używać żadnych rozpuszczalników, takich jak benzyna, alkohol, amoniak itp. Takie substancje chemiczne spowodują uszkodzenie części z tworzyw sztucznych.

SRODOWISKO



Uszkodzone i/lub niepotrzebne urządzenia elektryczne lub elektroniczne podlegają zbiórce w odpowiednich punktach recyklingu.

Tylko kraje WE

Nie wyrzucac elektronarzędzi wraz z odpadami z gospodarstw domowych. Zgodnie z dyrektywa 2012/19/WE dotycząca zużytych urządzeń elektrycznych i elektronicznych oraz jej wdrożeniem do prawodawstwa krajowego, elektronarzędzia, które już nie nadają się do użytku, podlegają oddzielnej zbiórce oraz utylizacji w sposób przyjazny dla środowiska.

GWARANCJA

Produkty VONROC są wytwarzane zgodnie z najwyższymi standardami jakości i producent udziela gwarancji na wady materiałowe i wady wykonania na okres wymagany prawem, licząc od dnia zakupu. Jeśli wystąpi usterka produktu w tym okresie spowodowana wadą materiałową i/lub wadą wykonania, proszę bezpośrednio skontaktować się ze sprzedawcą VONROC. Następujące okoliczności powodują unieważnienie gwarancji:

- Przeprowadzono naprawy lub modyfikacje narzędzia w serwisie innym lub autoryzowany lub podjęto ich próbę;
- Normalne zużycie nie jest objęte gwarancją;
- Narzędzie było używane niezgodnie z przeznaczeniem, źle z nim się obchodzono lub było nieprawidłowo konserwowane;
- Użyto części zamiennych innych niż oryginalne.

Niniejsza gwarancja to wyłączna gwarancja producenta i nie obowiązują żadne inne wyrażone ani dorozumiane gwarancje. Nie obowiązują żadne inne wyrażone ani dorozumiane gwarancje o zakresie przekraczającym niniejszą gwarancję, co obejmuje dorozumiane gwarancje przydatności do sprzedaży i przydatności do określonego celu. W żadnym przypadku firma VONROC nie ponosi odpowiedzialności za straty przypadkowe lub wynikowe. Zadośćuczynienie sprzedawcy jest ograniczone do naprawy lub wymiany niezgodnych urządzeń lub części.

Produkt i instrukcja obsługi podlegają zmianom. Dane techniczne podlegają zmianom bez uprzedzenia.

1. GÜVENLİK TALIMATLARI

Ekteki güvenlik uyarılarını, ilave güvenlik uyarılarını ve talimatları okuyun. Güvenlik uyarılarını ve talimatları izlememek elektrik çarpması, yangın ve/veya ciddi yaralanma ile sonuçlanabilir. Güvenlik uyarılarını ve talimatları ilerde bakmak üzere muhafaza edin.

Aşağıdaki semboller kullanıcı kılavuzunda veya ürün üzerinde kullanılmaktadır:



Kullanıcı kılavuzunu okuyun.



Bu kılavuzdaki talimatlara uymama durumunda bedensel yaralanma, can kaybı veya alete hasat riskini belirtir.



Elektrik çarpması riski.



Değişken elektronik hiz.



Koruyucu gözlük takın. Duyma koruması takın.



Bir toz maskesi takın.



Sınıf II makine- Çift İzolasyon - Topraklanmış prize ihtiyacınız yok.



Ürün, Avrupa yönergelerindeki geçerli güvenlik standartlarına uygundur.

GENEL ELEKTRİK ALET GÜVENLİK UYARILARI



UYARI Tüm güvenlik uyarılarını ve tüm talimatları okuyun. Uyarılara uyulmadı ve talimatlar elektrik çarpmasına, yangına ve/veya ciddi yaralanmalara neden olabilir.

Tüm uyarıları ve talimatları gelecekte başvurmak üzere saklayın.

Uyarılardaki "elektrikli alet" terimi, şebeke elektrliği ile çalışan (kablolu) elektrikli alet veya pil ile çalışan (kablesiz) elektrikli alet anlamına gelir.

1) İş aşanı güvenliği

- İş alanını temiz ve aydınlık tutun.** Dağınık veya karanlık bölgeler, kazalara davetiye çıkarır.
- Elektrikli aletleri, yanıcı sıvıların, gazların veya tozun var olduğu patlayıcı atmosferlerde kullanmayın.** Elektrikli aletler, tozu veya dumanları

ateşleyebilecek kıvılcımlar oluşturur.

- Bir elektrikli aleti kullanırken, çocukları ve çevredekileri uzak tutun.** Dikkatiniz dağılırsa kontrolü kaybedebilirsiniz.

2) Elektrik güvenliği

- Elektrikli alet fişleri, prize uygun olmalıdır. Fişi, hiçbir şekilde modifiye etmeyin. Topraklı elektrikli aletlerle, herhangi bir fiş adaptörü kullanmayın.** Modifiye edilmiş fişler ve buna uygun prizler, elektrik çarpması riskini azaltır.
- Borular, radyatörler, ocaklar ve buzdolapları gibi topraklı yüzeylerle temastan kaçının.** Eğer vücudunuz topraklanmışsa, elektrik çarpması riski daha fazla olur.
- Elektrikli aletleri yağmura veya ıslaklığa maruz bırakmayın.** Bir elektrikli alete su girmesi durumunda, elektrik çarpması riski artacaktır.
- Kabloya kötü davranmayın. Kabloyu taşıma amacıyla, elektrikli aleti ya da elektrikli aletin fişini çekmek için kullanmayın. Kabloyu ısıdan, yağdan, keskin kenarlardan ya da hareketli parçalardan uzak tutun.** Hasar görmüş ya da doğaşmış kablolar, elektrik çarpması riskini artırır.
- Bir elektrikli aleti dış mekanlarda kullanırken, dış mekan kullanımına uygun bir uzatma kablosu kullanın.** Dış mekan kullanımına uygun ir kablo kullanıldığında, elektrik çarpması riski azalır.
- Elektrikli aleti nemli bir konumda çalıştırmak kaçınılmazsa, kaçak akım cihazı (RCD) korumalı bir kaynak kullanın.** RCD kullanımı elektrik çarpması riskini azaltır.

3) Kişisel güvenlik

- Elektrikli aleti kullanırken tetikte kalın, ne yaptığınıza dikkat edin ve sağduyulu davranın. Bir elektrikli aleti yorgun olduğunuzda ya da uyuşturucu, alkol veya ilaç etkisindeyken kullanmayın.** Elektrikli aleti kullanırken bir anlık dikkatsizlik ciddi kişisel yaralanmalara neden olabilir.
- Kişisel koruyucu donanım kullanın. Her zaman göz koruması takın.** Uygun durumlar için kullanılan toz maskesi, kaymaz güvenlik ayakkabıları, baret veya kulak tıkacı gibi koruyucu donanımlar, kişisel yaralanma riskini azaltacaktır.
- Kasıtsız çalışmayı önleyin. Bir elektrik kaynağını ve/veya pil takımını bağlamadan, aleti kaldırmadan ya da taşımadan önce elektrikli aletin anahtarının kapalı durumda olduğundan emin olun.** Elektrikli aletleri parmağımız anahtar üzerindeki taşımak veya anahtarı açık elektrikli aletleri

- harekete geçirmek kazalara davetiye çıkarır.
- d) **Elektrikli aleti açık duruma getirmeden önce her türlü ayar anahtarını çıkarın.** Elektrikli aletin dönen bir parçasında kalan bir anahtar, kişisel yaralanmalara neden olabilir.
- e) **Fazla uzanmayın. Ayaklarınızı sağlam basın ve her zaman dengeli olun.** Böylece beklenmeyen durumlarda elektrikli aleti daha iyi kontrol edebilirsiniz.
- f) **Uygun kıyafetler giyin. Bol kıyafetler giymeyin, takılar takmayın. Saçınızı, kıyafetlerinizi ve eldivenlerinizi, hareketli parçalardan uzak tutun.** Bol kıyafetler, takılar veya uzun saç, hareketli parçalara takılabilir.
- g) **Eğer cihazlar toz giderme ve toplama tesislerinin bağlantısı için sağlanmışsa, bunların bağlandığından ve düzgün bir şekilde kullanıldığından emin olun.** Toz toplama ile tozla ilgili tehlikeleri azaltılabilir.
- 4) Elektrikli alet kullanımı ve bakımı**
- a) **Elektrikli aleti zorlamayın. Uygulamanız için doğru elektrikli aleti kullanın.** Doğru elektrikli alet, tasarım amacına uygun olarak işi daha iyi yapacaktır.
- b) **Eğer anahtarlar açılıp kapatılmıyorsa, elektrikli aleti kullanmayın.** Anahtarla kumanda edilemeyen elektrikli aletler tehlikelidir ve tamir edilmelidir.
- c) **Herhangi bir ayar, aksesuar değişimi ya da depolama işleminden önce elektrikli aletin fişini elektrik kaynağından çıkarın ve/veya pil takımını elektrikli aletten çıkarın.** Bu tür önleyici güvenlik önlemleri, elektrikli aletin kazara çalışma riskini azaltır.
- d) **Boş durumdaki elektrikli aletleri çocukların erişemeyeceği bir yerde muhafaza edin ve elektrikli aletin nasıl çalıştığını ya da bu talimatları bilmeyen kişilerin elektrikli aleti kullanmasına izin vermeyin.** Elektrikli aletler, eğitimsiz kullanıcıların elinde tehlikeli olur.
- e) **Elektrikli aletlerin bakımını yapın. Hatalı ayarlar veya hareketli parçaların bağlanması, parça kırılmaları ve elektrikli aletin çalışmasını etkileyebilecek diğer durumlar için kontrol gerçekleştirin.** Eğer herhangi bir hasar varsa, elektrikli alet kullanılmadan önce tamir edilmelidir. Çoğu kazaya bakımı iyi yapılmayan elektrikli aletler neden olur.
- f) **Kesme aletlerini keskin ve temiz tutun.** Bakımı iyi yapılan ve keskin kenarlara sahip kesme

aletlerinde donmalar daha az yaşanır ve kontrol edilmeleri daha kolay olur.

g) **Elektrikli aleti, aksesuarlarını ve torna kalemlelerini bu talimatlara uygun olarak kullanın, çalışma koşullarını ve gerçekleştirilecek olan işi dikkate alın.** Elektrikli aletin kullanım amacı dışında kullanılması, tehlikeli durumlarla sonuçlanabilir.

5) Pili alet kullanımı ve bakımı

- a) **Yalnızca üretici tarafından belirtilen şarj aletiyle şarj edin.** Bir türde pil takımı için uygun bir şarj cihazı, başka bir pil takımı ile kullanıldığında yangın riski oluşturabilir.
- b) **Elektrikli aletleri yalnızca özel olarak belirlenmiş pil takımlarıyla kullanın.** Başka pil takımlarının kullanımı yaralanma ve yangın riski oluşturabilir.
- c) **Pil takımı kullanılmadığı zamanda, ataşlar, bozuk paralar, anahtarlar, çiviler, vidalar veya diğer küçük metal nesnelere gibi bir uçtan diğerine bir bağlantı yapabilecek diğer metal nesnelere uzak tutun.** Pil uçlarını birbirine kısa devre yaptırmak yanıklara veya yangına neden olabilir.
- d) **Bozulma durumlarında pilden sıvı çıkabilir; temastan kaçının. Kazara temas gerçekleşirse, sıvı yıkayın. Sıvı gözlerle temas ederse ayrıca tıbbi yardım isteyin.** Pilden çıkan sıvı tahriş veya yanıklara neden olabilir.

6) Servis

- a) **Elektrikli aletinizin servis işlemlerini, yalnızca aynı yedek parçaları kullanan vasıflı bir tamircinin yapmasını sağlayın.** Bu, elektrikli aletin güvenliğinin korunmasını sağlayacaktır.

EK GÜVENLİK TALİMATLARI

- Aşırı büyük zımpara kağıtları kullanmayın ve zımpara kağıdının boyutu için üreticinin talimatlarına uyun. Zımparalama yatağından çıkıntı yapan zımpara kağıtları, yaralanmalara neden olabileceği gibi, zımpara kağıtlarını bloke edip parçalayabilir veya bir geri tepmeye sebebiyet verebilir.
- Kurşun boyanın zımparalanması önerilmez. Kurşun boya ancak bir uzman tarafından kaldırılmalıdır.
- Tehlikeli maddeleri (örn. asbest) serbest bırakan malzemeler üzerinde çalışmayın. Tehlikeli, yanıcı veya patlayıcı toz oluşma olasılığına karşı önlem alın. Koruyucu toz maskesi takın. Toz emme

sistemi kullanın.

- Asbest içeren malzemelerle çalışmayın. Asbest kanserojen olarak kabul edilir.
- Bu makineyi magnezyum iş parçalarını zımparalamak için kullanmayın.
- Güvenlik gözlüğü giyin. Duyma koruması takın. Gerekirse, eldivenler, güvenlik ayakkabıları vs. gibi diğer koruyucu malzemeleri kullanın.
- Aksesuarın gizli elektrik kablolarıyla veya ana kabloyla temas edebileceği yerlerde makineyi izolasyonlu kavrama yüzeylerinden tutun. Aksesuar 'elektrik yüklü' bir kabloyla temas ederse, makinenin elektrik yüküne maruz kalan metal parçaları da 'elektrik yüklü' hale gelebilir. Elektrik çarpması riski
- Boyanmış yüzeylerde zımparalama sırasında çok dikaktli olun.
- Kullanmadan önce iş parçasındaki tüm çivileri ve diğer metal nesnelere çıkarın.
- İş parçasının uygun şekilde desteklendiğinden veya sabitlendiğinden emin olun.
- Sadece makineyle kullanılmaya uygun zımpara kağıdı kullanın.
- Sadece uygun ebatlara sahip zımpara kağıdı kullanın. Zımpara kağıdının doğru monte edildiğinden emin olun.
- Kullanmadan önce zımpara kağıdını kontrol edin. Uzun süreli kullanım nedeniyle aşırı yıpranmış zımpara kağıdını kullanmayın.
- Makineyi asla kapatmadan bir masa veya tezgaha koymayın.

Elektrik güvenliği



Daima gücün voltajını kontrol edin besleme voltajı değerlendirme plakası etiketi.

- Makineyi şebeke kablosu veya elektrik fişi hasarlıdır.
- Sadece uygun olan uzatma kablolarını kullanın makinenin minimum güç derecesi 1.5 mm² kalınlığında. Bir uzantı kullanırsanız Kablo markezi, kabloyu daima tam olarak açınız.

2. MAKİNE BİLGİSİ

Kullanım amacı

Makine ahşap, plastik ve metali zımparalamak için tasarlanmıştır. Bu makine sadece kuru zımparalama için uygundur. Makine asbest içeren nesnelere üzerinde çalışmak için uygun değildir. Uygunsuz kullanım alete zarar verebilir.

TEKNİK SPESİFİKASYONLAR

Model numarası	PS501AC
Şebeke voltajı	230-240V ~
Şebeke frekansı	50 Hz
Güç girişi	130W
Yüksüz hız	14000/min
Zımpara tabanı çapı	150x150x100 mm
Ağırlık	0.68 kg
Ses basıncı (LPA)	76+3 dB(A)
Akustik güç (LWA)	87+3 dB(A)
Vibrasyon değerleri	3.017+1.5 m/s ²



Duyma koruması takın.

Vibrasyon seviyesi

Bu talimat kılavuzunda belirtilen vibrasyon emisyon seviyesi EN 60745'te verilen bir standart teste uygun olarak ölçülmüştür; bir aleti diğeriyle karşılaştırmak ve aleti bahsedilen uygulamaları için kullanırken vibrasyona maruz kalmanın ön değerlendirmesi olarak kullanılabilir.

- Aleti farklı uygulamalar veya farklı ya da kötü bakılan aksesuarlarla kullanmak, maruz kalma seviyesini büyük ölçüde artırabilir.
- Aletin kapalı olduğu veya çalışıp gerçekten işi yapmadığı zamanlar maruz kalma seviyesini büyük ölçüde düşürebilir.

Aletin ve aksesuarların bakımını yaparak, ellerinizi sıcak tutarak ve çalışma düzenlerinizi organize ederek vibrasyonun etkilerine karşı kendinizi koruyun.

AÇIKLAMA

Metindeki numaralar sayfa 2'teki semaları işaret etmektedir.

1. Açma / Kapama anahtarı
2. Tutma yeri
3. Toz haznesi
4. Zımpara tabanı
5. Zımpara kağıdı
6. Yuva

3. MONTAJ



Montajdan önce daima makineyi kapatın ve elektrik fişini elektrik prizinden çekin.

Toz haznesinin takılması (Şekil B)

Uygun toz toplamayı sağlamak için makinenin toz haznesi (3) ile kullanılması önerilir.

- Toz hazne yuvasını arka toz çıkışıdaki çentiğin üzerine kaydırın.
- Hazneyi yerine kilitlemek için çevirin.

Not: En uygun toz toplamayı sağlamak için hazne yarıya kadar dolu olduğunda toz haznesi boşaltılmalıdır.

Zımpara kağıdının takılması ve çıkartılması (Şekil C)

- Makineyi, Şekil E'de gösterildiği gibi yan veya aşağı doğru tutun Şek. C1.
- Gerekli tanecik büyüklüğüne sahip zımpara kağıdını (5) zımpara kağıdı yatağına (4) takın. Zımpara kağıdı (5) üzerindeki deliklerin zımpara kağıdı yatağındaki (4) deliklerle aynı hizada olduğundan emin olun Şek. C2.
- Zımpara kağıdını (17) çıkarmak için zımpara kağıdını zımpara yatağından (16) çekin.

Not: Sert ve düzgün olmayan yüzeyleri zımparalamak için kaba zımpara kağıdı kullanın. Kaba zımpara kağıdından kalan çizikleri gidermek için orta zımpara kağıdı kullanın. İnce işler için ince zımpara kağıdı kullanın.

4. ÇALIŞTIRMA

Açma ve kapatma (Şekil A)

- Makineyi açmak için açma/kapama anahtarını (1) I konumuna getirin.
- Makineyi kapatmak için açma/kapama anahtarını (1) O konumuna getirin.

İdeal kullanım için ipuçları

- Makineyi iki elle sıkıca tutun.
- Makineyi açın.
- Zımpara kağıdı takılı zımpara yatağını iş parçasının üzerinde konumlandırın.
- Makineyi, zımpara yatağını iş parçasına sıkıca bastırarak iş parçası üzerinde yavaşça hareket ettirin.
- Makine üzerinde çok fazla basınç uygulamayın. İş makinenin yapmasına izin verin.

- Makineyi kapatın ve makineyi bir kenara koymadan önce makinenin tamamen durmasını bekleyin.

5. BAKIM



Temizlik ve bakımdan önce her zaman makineyi kapatın ve şebeke fişini şebekeden çıkarın.

Makine kaplamalarını yumuşak bir bezle, tercihen her kullanımdan sonra düzenli olarak temizleyin. Havalandırma deliklerinin toz ve kirden arınmış olduğundan emin olun. Çok inatçı kirleri sabun köpüğüyle ıslatılmış yumuşak bir bezle çıkarın. Benzin, alkol, amonyak vs. gibi çözücü maddeleri kullanmayın. Bunlar gibi kimyasallar sentetik bileşenlere zarar verecektir.

ÇEVRE



Arızalı ve/veya atılmış elektrikli veya elektronik ekipmanların uygun geri dönüşüm konularında toplanması gerekir.

Yalnızca AT ülkeleri için

Elektrikli aletleri evsel atık olarak atmayın. Atık Elektrikli ve Elektronik Donanım için Avrupa İlkeleri 2012/19/EU 'ye ve ulusal hak uygulamasına göre, artık kullanılamaz olan elektrikli aletler ayrı olarak toplanalı ve çevre dostu bir yolla imha edilmelidir. Ürün ve kullanıcı kılavuzu değişikliğe tabidir. Spesifikasyonlar başka bir uyarı olmaksızın değiştirilebilir.

GARANTİ

VONROC ürünleri yüksek kalite standartları doğrultusunda geliştirilmiştir ve ilk satın alımdan itibaren kanunen belirlenen süre boyunca material ve işçilik açısından kusursuz olacağı garanti edilmektedir. Bu süre zarfında, kusurlu material ve/veya işçilikten dolayı üründe herhangi bir arıza meydana gelmesi durumunda, doğrudan VONROC iletişim kurun.

Takip eden durumlar bu garanti kapsamı dışındadır:

- Yetkisiz servis merkezleri tarafından yapılan veya yapılmaya teşebbüs edilen onarım ve/veya değişiklikler.
- Normal aşınma ve eskime.
- Cihazın kötü ve yanlış kullanılması veya cihaza yanlış bakım yapılması.
- Orijinal olmayan yedek parçaların kullanılması

Bu, şirket tarafından açık ya da zımni verilmiş tek garantiyi oluşturur. Belirli bir amaç için ticarete elverişlilik ve uygunluğun zımni garantileri dahil dış görünüşünün ötesine uzanan açık veya zımni başka hiçbir garanti yoktur. VONROC herhangi bir arızı veya dolaylı zarardan hiçbir halükarda sorumlu olmayacaktır. Bayilerin getireceği çözümler uygunsuz birimlerin veya parçaların onarımı veya değiştirilmesiyle sınırlı olacaktır.

**Ürün ve kullanıcı kılavuzu değişikliğe tabidir.
Spesifikasyonlar başka bir uyarı olmaksızın değiştirilebilir.**



**DECLARATION OF CONFORMITY
PS501AC - PALM SANDER**

- (EN) We declare under our sole responsibility that this product is in conformity with directive 2011/65/EU of the European parliament and of the council of 8 June on the restriction of the use of certain hazardous substances in electrical and electronic equipment is in conformity and accordance with the following standards and regulations:
- (DE) Der Hersteller erklärt eigenverantwortlich, dass dieses Produkt der Direktive 2011/65/ EU des Europäischen Parlaments und des Rats vom 8. Juni 2011 über die Einschränkung der Anwendung von bestimmten gefährlichen Stoffen in elektrischen und elektronischen Geräten entspricht, den folgenden Standards und Vorschriften entspricht:
- (NL) Wij verklaren onder onze volledige verantwoordelijkheid dat dit product voldoet aan de conform Richtlijn 2011/65/EU van het Europees Parlement en de Raad van 8 juni 2011 betreffende beperking van het gebruik van bepaalde gevaarlijke stoffen in elektrische en elektronische apparatuur en in overeenstemming is met de volgende standaarden en reguleringen:
- (FR) Nous déclarons sous notre seule responsabilité que ce produit est conforme aux standards et directives suivants: est conforme à la Directive 2011/65/EU du Parlement Européen et du Conseil du 8 juin 2011 concernant la limitation d'usage de certaines substances dangereuses dans l'équipement électrique et électronique.
- (ES) Declaramos bajo nuestra exclusiva responsabilidad que este producto cumple con las siguientes normas y estándares de funcionamiento: se encuentra conforme con la Directiva 2011/65/UE del Parlamento Europeo y del Consejo de 8 de junio de 2011 sobre la restricción del uso de determinadas sustancias peligrosas en los equipos eléctricos y electrónicos.
- (IT) Dichiariamo, sotto la nostra responsabilità, che questo prodotto è conforme alle normative e ai regolamenti seguenti: è conforme alla Direttiva 2011/65/UE del Parlamento Europeo e del Consiglio dell'8 giugno 2011 sulla limitazione dell'uso di determinate sostanze pericolose nelle apparecchiature elettriche ed elettroniche.
- (PL) Deklarujemy na własną odpowiedzialność, że ten produkt spełnia wymogi zawarte w następujących normach i przepisach: jest zgodny z Dyrektywą 2011/65/UE Parlamentu Europejskiego i Rady z dnia 8 czerwca 2011 r. w sprawie ograniczenia stosowania niektórych niebezpiecznych substancji w sprzęcie elektrycznym i elektronicznym.
- (TR) Tek sorumlusu biz olmak üzere bu ürünün Avrupa Parlamentosunun 2011/65/EU ve 8 Haziran 2011 tarihli konseyin elektrikli ve elektronik ekipmanlarda belirlenmiş tehlikeli malzeme kullanımının kısıtlanması hakkındaki talimatları ile birlikte aşağıda belirtilen standart ve yönergelere uygun ve uyumlu olduğunu beyan ederiz:

**EN 62841-1, EN 62831-2-4, EK9-BE-88, EN 55014-1, EN 55014-2, EN 61000-3-2, EN 61000-3-3
2006/42/EC, 2014/30/EU, 2012/19/EU, 2011/65/EU**

Zwolle, 01-05-2021

H.G.F Rosberg
CEO

VONROC • Lingenstraat 6 • 8028 PM Zwolle • The Netherlands



VONROC®
BUILD YOUR FUTURE

©2021 VONROC
WWW.VONROC.COM

2105-11