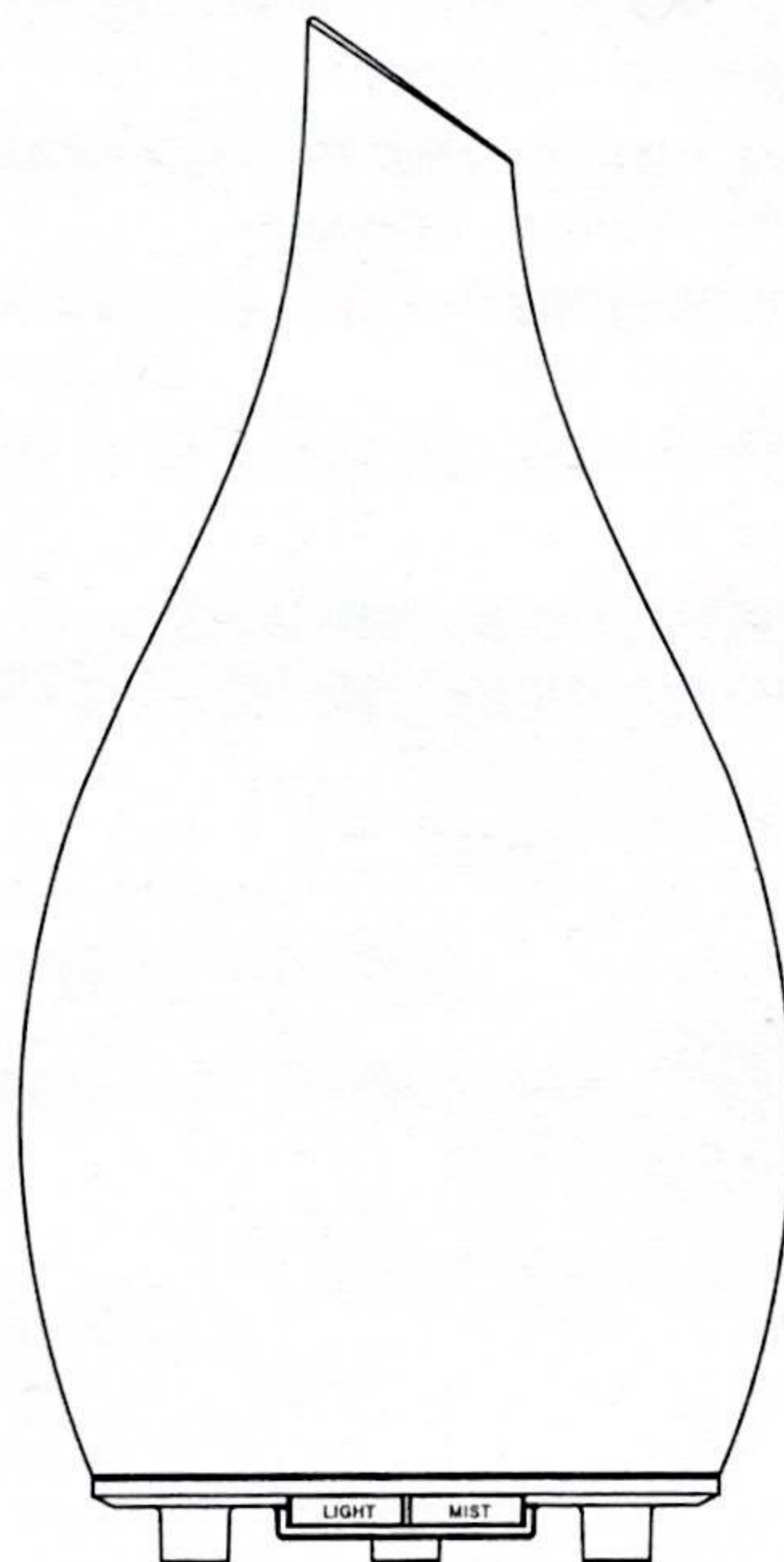


Aroma Diffuser

User Manual

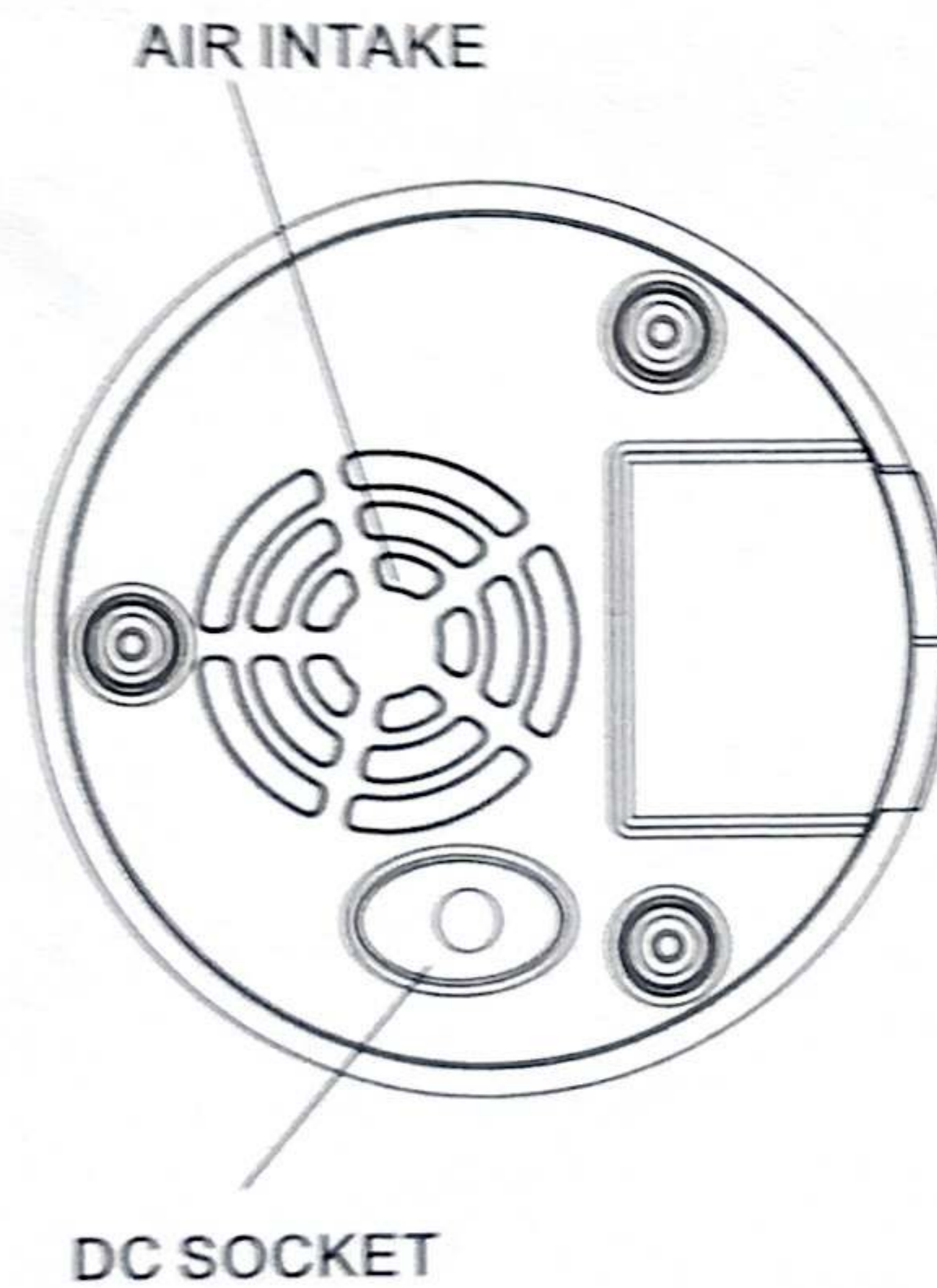
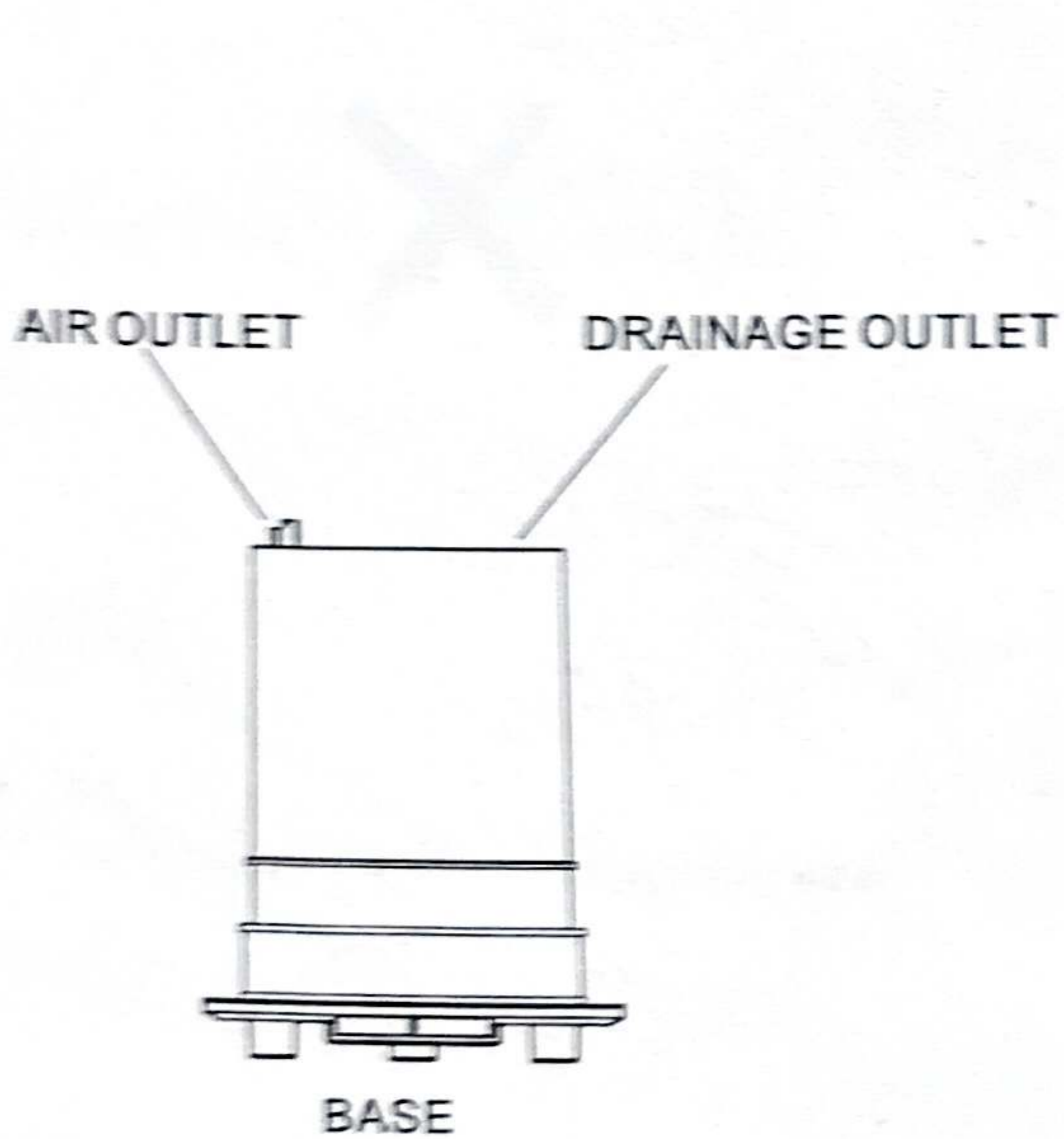
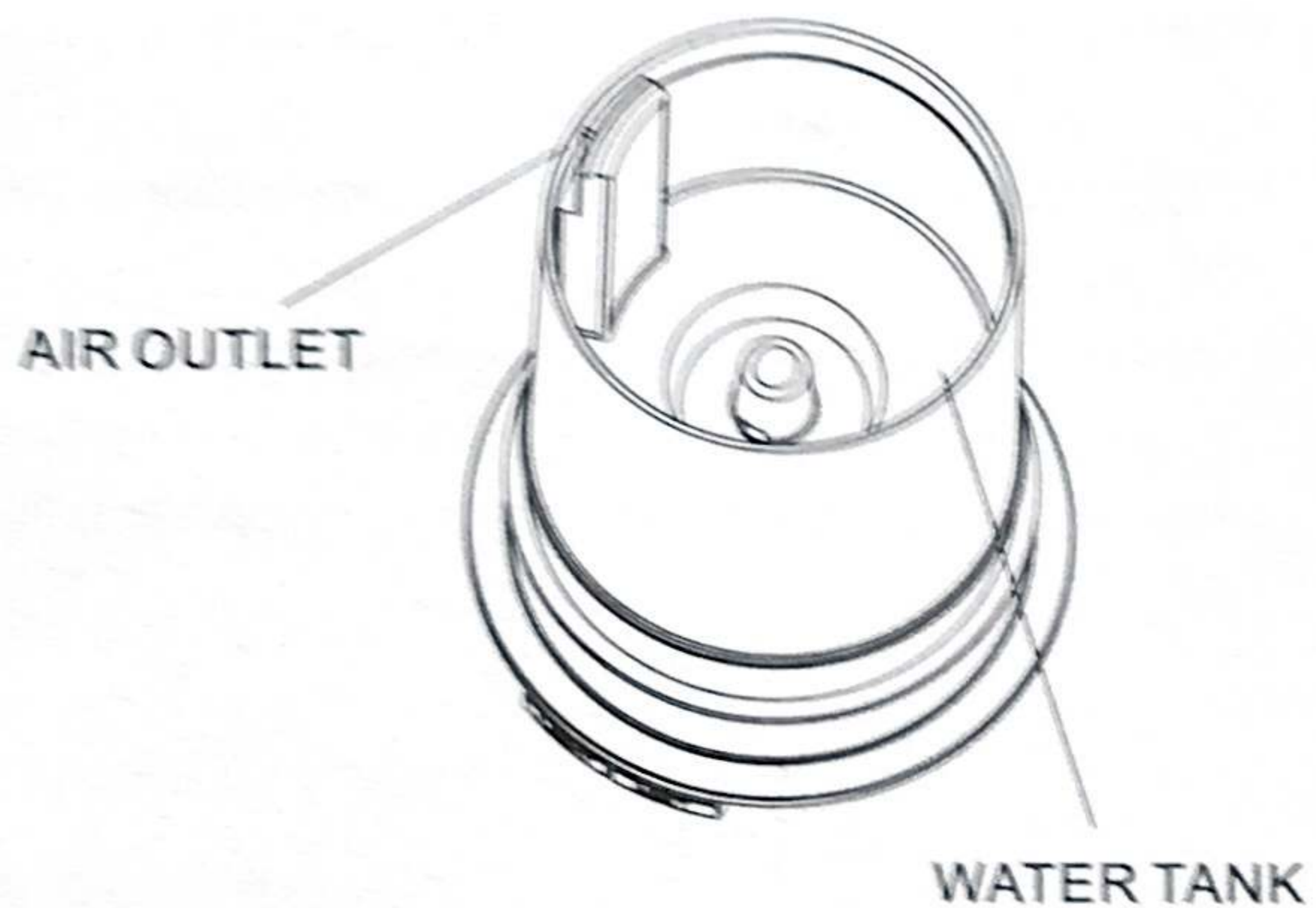


SPECIFICATIONS

2

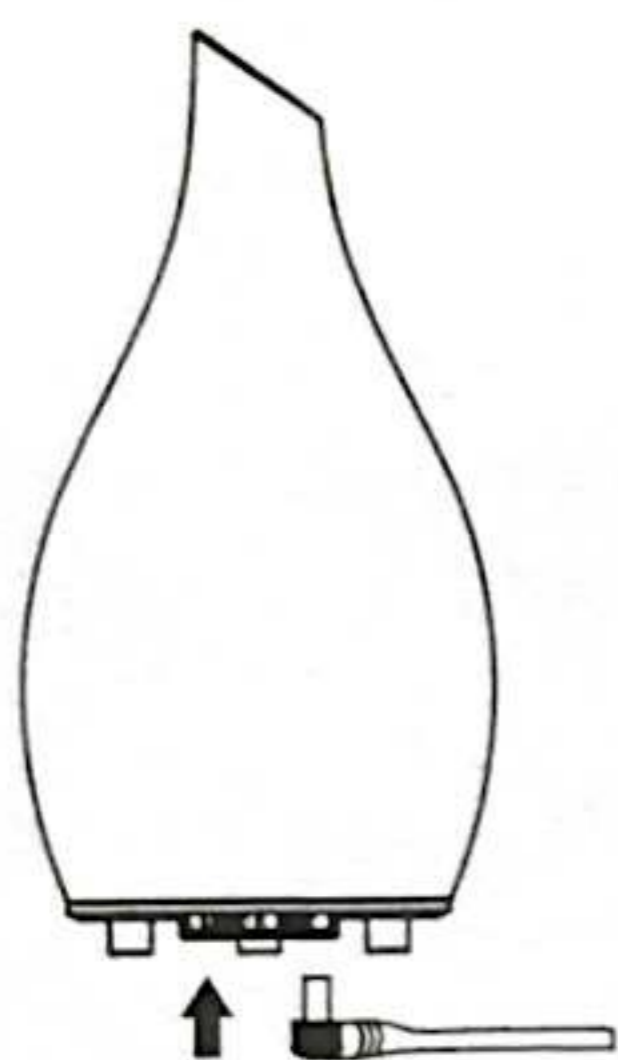
Size:	Approx 115*115*220mm
Weight:	Approx 590g
Power: input/output	AC 100-240V 50/60HZ DC 5V 1A
Cable length:	Approx 100cm
Electric consumption:	Approx 5W
Mist Mode:	Continuous / Intermittent Spray
Water capacity:	100ML
Material:	PP/ABS/Glass
Accessories:	USB cable, User manual
Ultrasonic vibration:	3.0MHz

PRODUCT DESCRIPTIONS

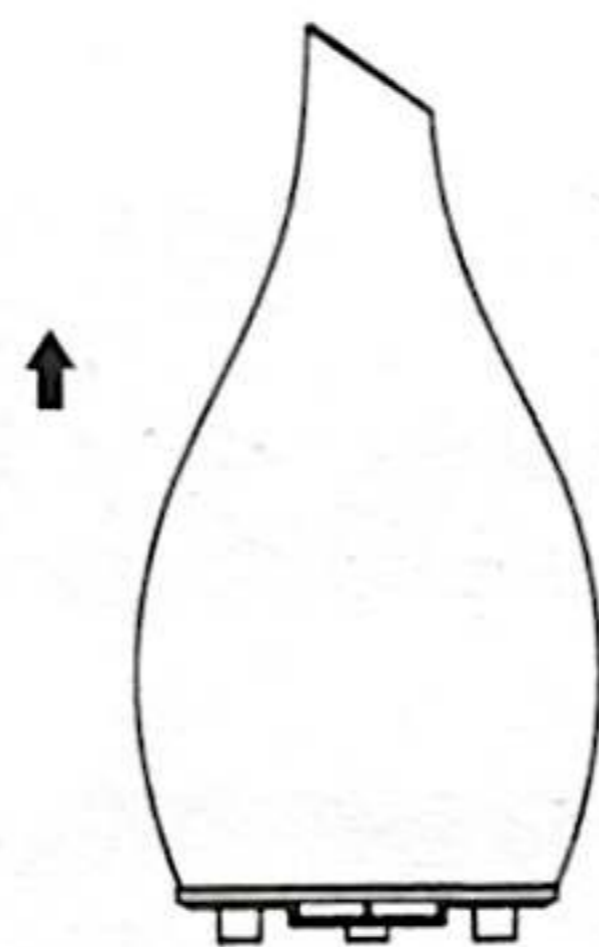


OPERATION

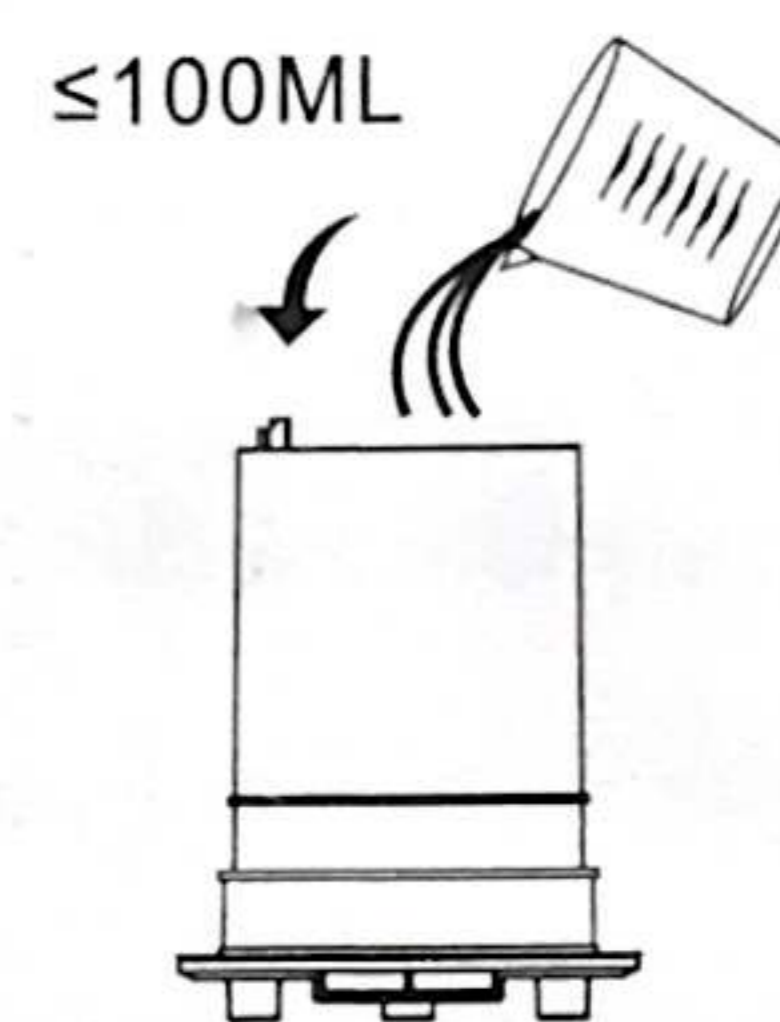
4



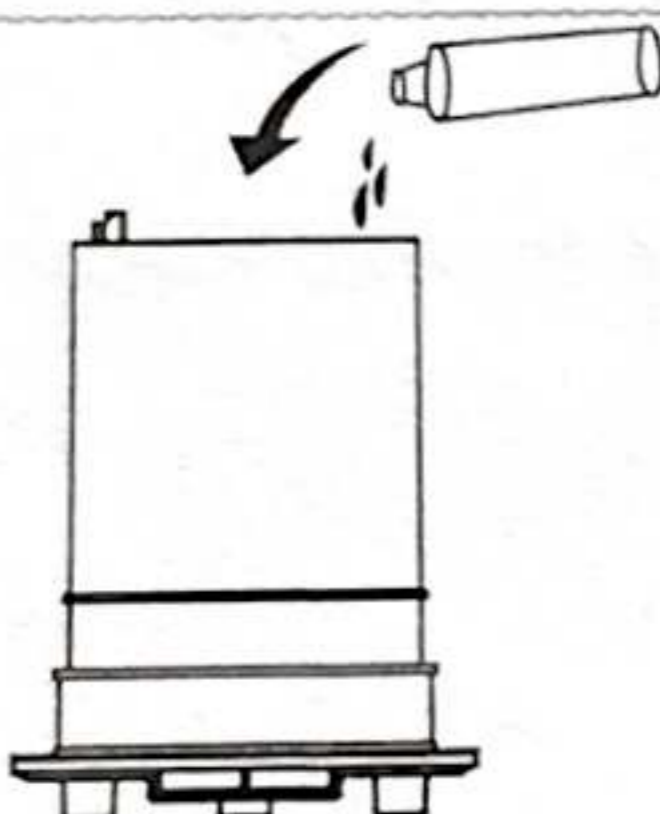
① Connect the one end of the power wire to the DC socket.



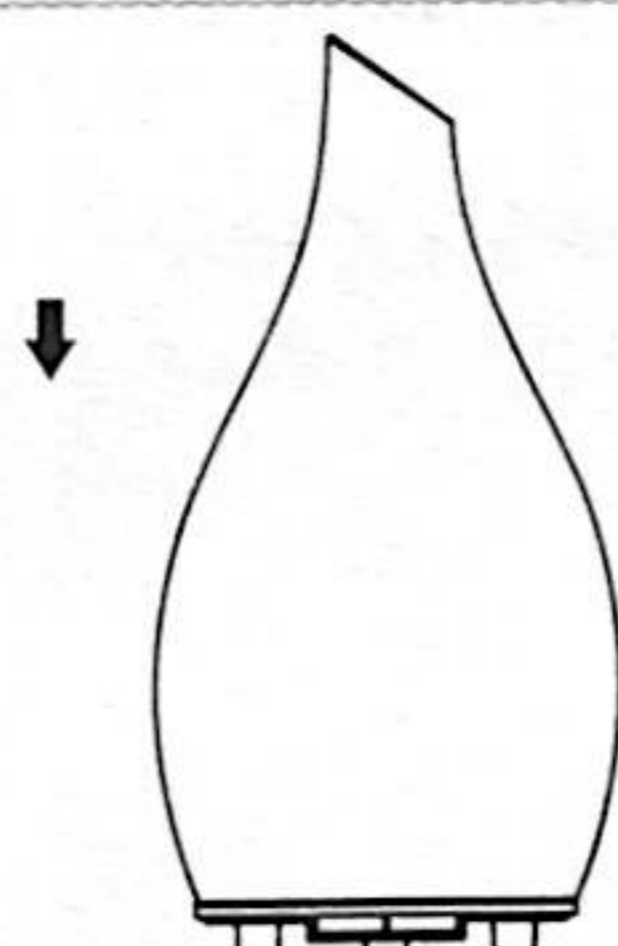
② Remove off the cover of device.



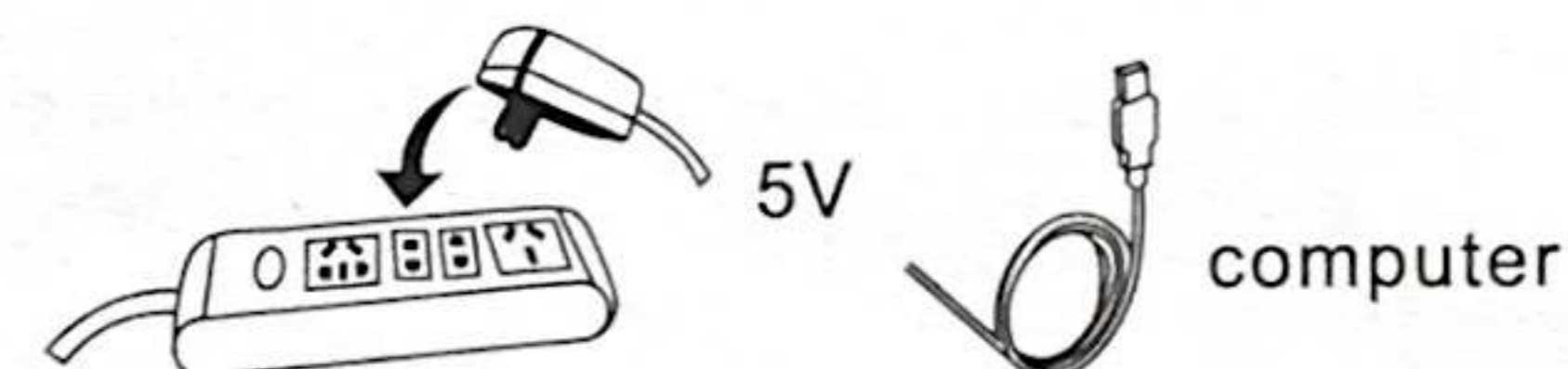
③ Add water into the tank, don't exceed the max 100ML.



④ Add essential oils into the water (2-3 drops per 100ML MAX)



⑤ Re-install the cover.

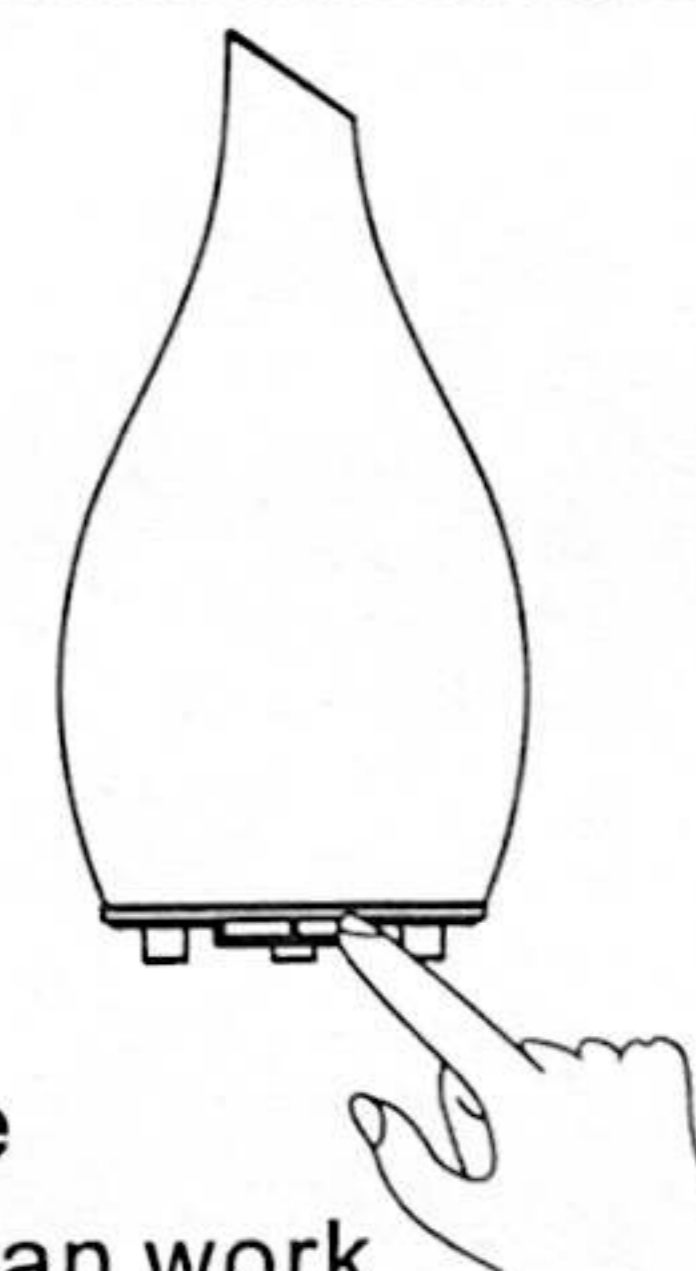


⑥ Please connect the other end to the USB slot of computer or suitable 5V power adaptor.

- ⑦ **MIST:**
 First press, the mist and light will be on.
 Second press, mist has multiple intermittent spray(work 20s, stop 10s, cycle repeats).
 Third press, turn off the unit.

- ⑧ **LIGHT:**
 First press, there are 7 colors changing automatically when the unit keep standby. Second press, pause on current color. Third press, move to next color and brightness can be adjusted by pressing again. Light can work alone when mist is off.

- ⑨ When the unit working. Long press the light over 2s, it will turn off the light. The mist can work alone when light is off.



WARM TIPS

5

1. Please use the cup to add water. Don't fill pass marked line.
2. Use only pure essential oils soluble into water for use in Diffuser device. Please clean the unit as per the maintenance instructions before changing a new type of essential oil.
3. It is quite normal that different humidity environment and temperature will affect the mist density.
4. Do not place device near wall or furniture as direct mist can cause damage.
5. After using please pour out remaining water completely out of tank and store it at dry place.
6. If there is low of water in the tank, even though the power is connected the device will shut off automatically. To ensure the diffuser plate will not malfunction.

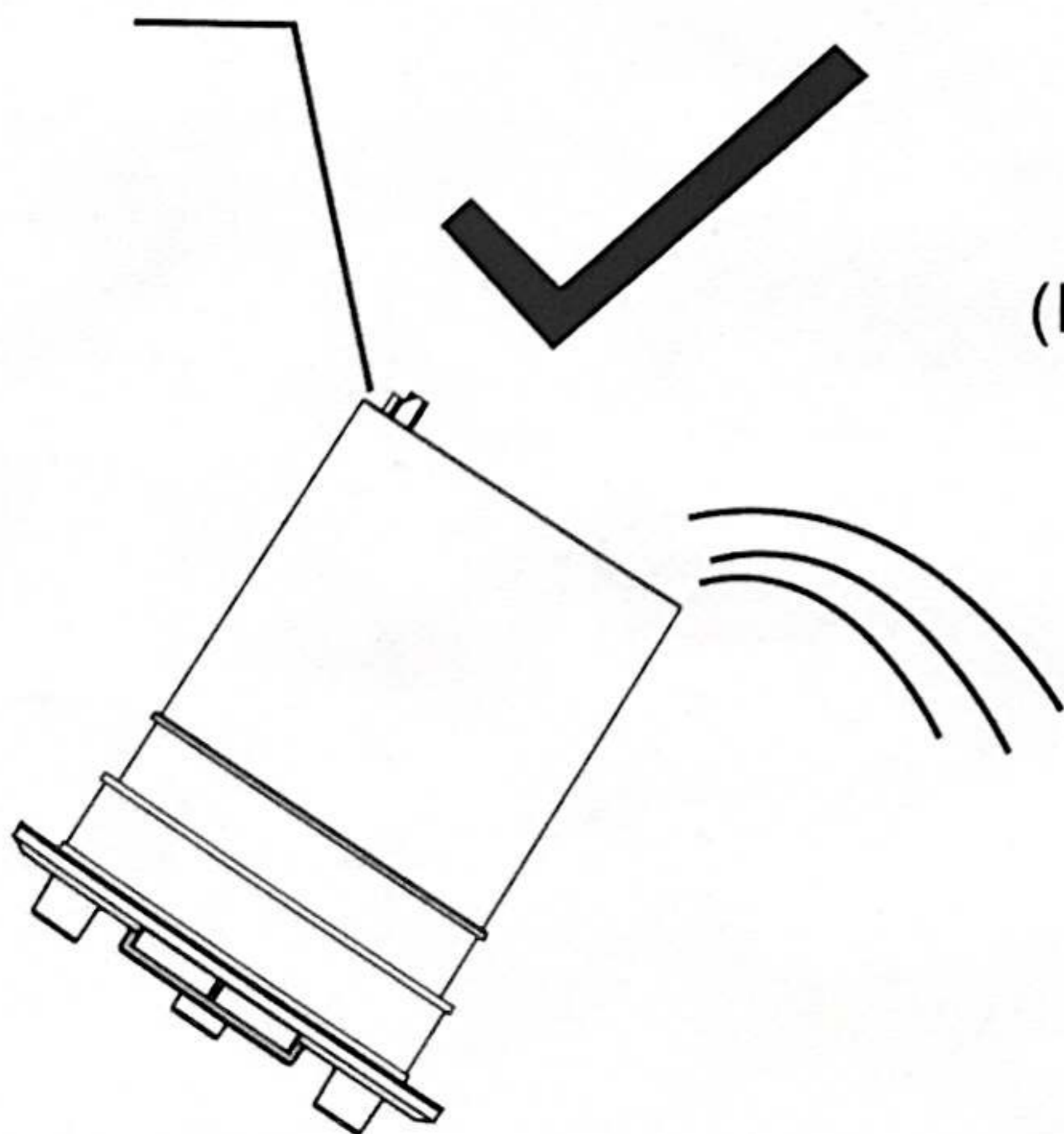
MAINTENANCE

6

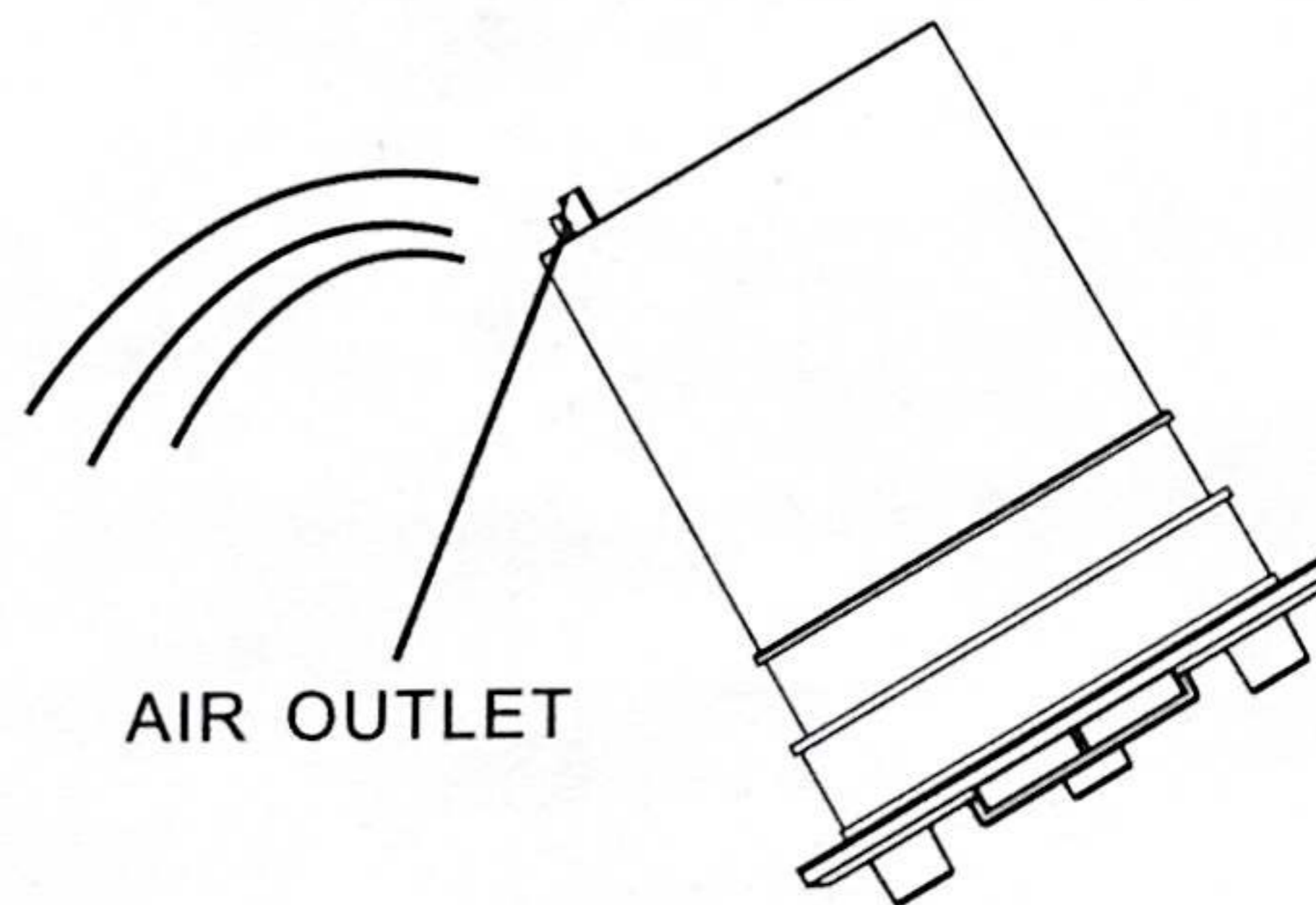
After using 5-6 times or 3-5 days, be sure to clean the device:

1. Unplug device before cleaning.
2. Pour out any remaining water completely in the tank. Do not pour out water from the air outlet side. (Fig. 1)
3. Put a small amount of diluted soap and water. Then use a clean cloth dip in the water and wipe up the unit gently. Clean all dirt residue.
4. Never use alcohol during maintenance. Or it may cause product damage and erase various wording on the product.

AIR OUTLET



(Fig. 1)



AIR OUTLET

PRECAUTIONS

Please read carefully the following safety precautions before using this unit. The safety precautions listed below are intended to prevent you and others from injury or to prevent damage to the product.

Warning: May cause serious personal injury.

1. Please keep the unit unreachable for children and babies, power cord become wrapped around child neck and mistakenly lead to suffocation and death.
2. Please use standard adaptor of this unit.
3. Please don't dismantle, modify the device.
4. If the unit begins to smoke, make a smell, or have any abnormal situation, please stop using it immediately.
5. Do not handle device with wet hands.
6. Do not cut, or modify the power cord or put any weight on the power cord. Otherwise it may cause an electric shock or fire.

Attentions: May cause product damaged.

1. Do not allow liquids or foreign matter to enter the unit. Otherwise it may cause damage to the unit.
2. Please unplug the unit when not use.
3. Please placed the device in a safe place where others will not be tripped by the power cord or it may cause injury or damage to the unit.
4. Avoid using the unit at the following locations:
Direct sunlight, high temperature or wet, dusty place.
5. Keep away from electronic equipment: such as TV, Audio equipment.

TROUBLESHOOTING

Please refer to the sheet below when the unit fails to work.

<p>Fail to turn on the unit</p>	<ul style="list-style-type: none"> ● Is there enough water in the tank? --Add water to the tank. ● Is the power cord connected properly? --Disconnected, check cables and re-connect carefully.
<p>No mist or Abnormal mist</p>	<ul style="list-style-type: none"> ● Not enough water or too much water? --Add water to the tank but not fill over 100ML max line. ● Dirt on the ultrasonic atomizer? --Please refer to maintenance instructions to clean the unit. ● Too much dirt on the air intake? --Please use the brush to clean the air intake part.
<p>Water leakage from product</p>	<ul style="list-style-type: none"> ● Low temperature or high humidity? --Under these conditions, the mist may condense quickly into water droplets.