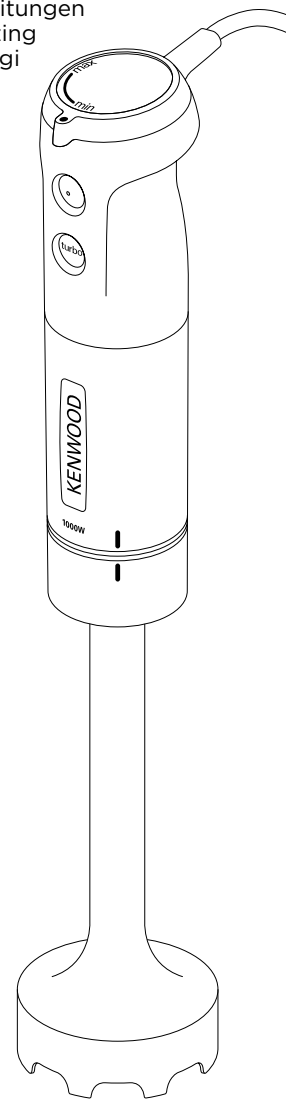


# KENWOOD

**triblade**  
SYSTEMPRO™

## TYPE HDM80

instructions  
istruzioni  
instrucciones  
Bedienungsanleitungen  
gebruiksaanwijzing  
Instrukcja obsługi  
instruções



English	2 - 10
Nederlands	11 - 21
Français	22 - 31
Deutsch	32 - 42
Italiano	43 - 53
Português	54 - 64
Español	65 - 75
Dansk	76 - 85
Svenska	86 - 94
Norsk	95 - 103
Suomi	104 - 112
Türkçe	113 - 121
Česky	122 - 131
Magyar	132 - 142
Polski	143 - 154
Ελληνικά	155 - 165
Slovenčina	166 - 175
Українська	176 - 186
عربي	١٩٦ - ١٨٧

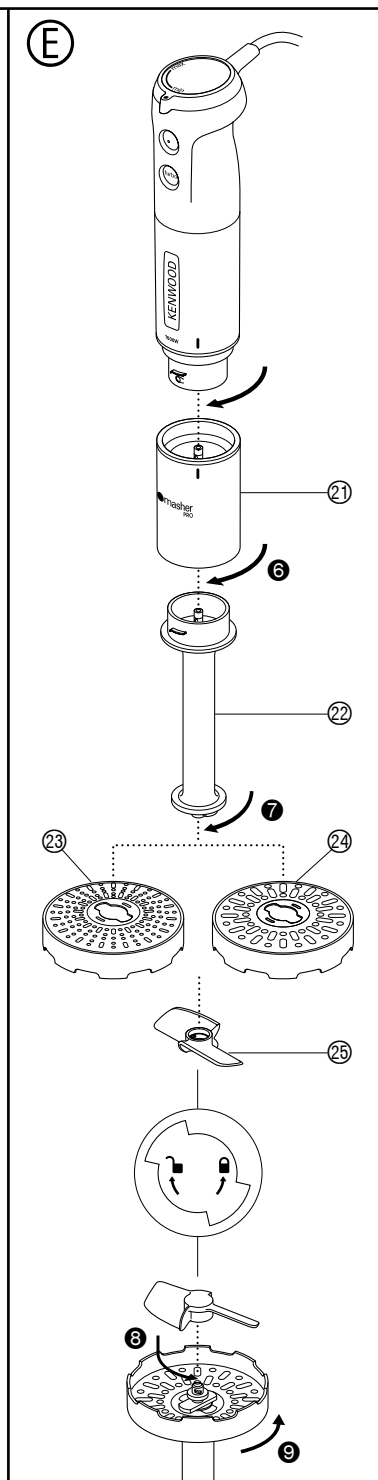
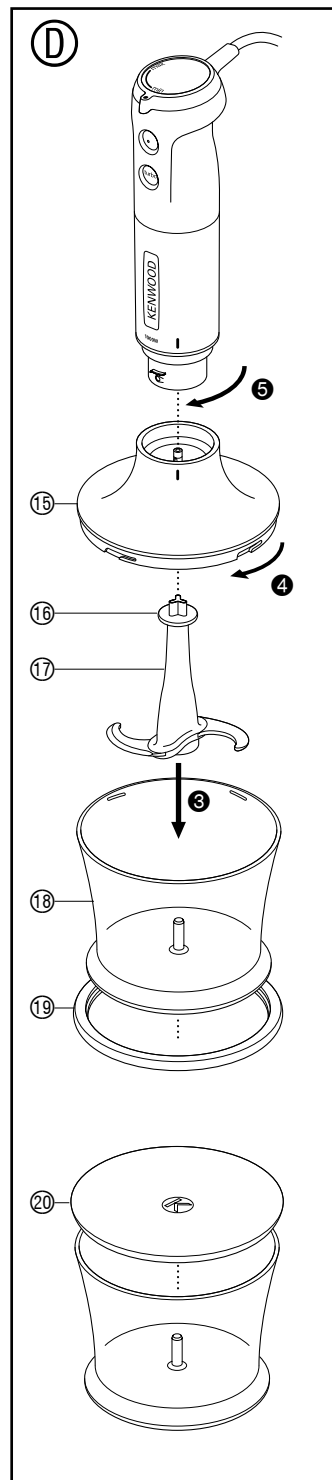
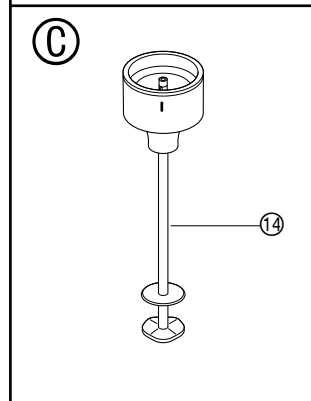
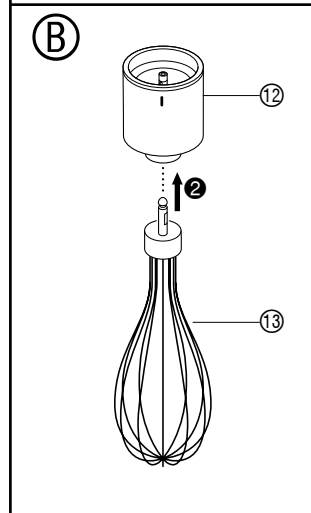
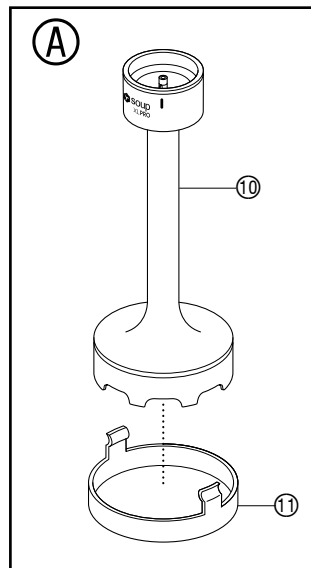
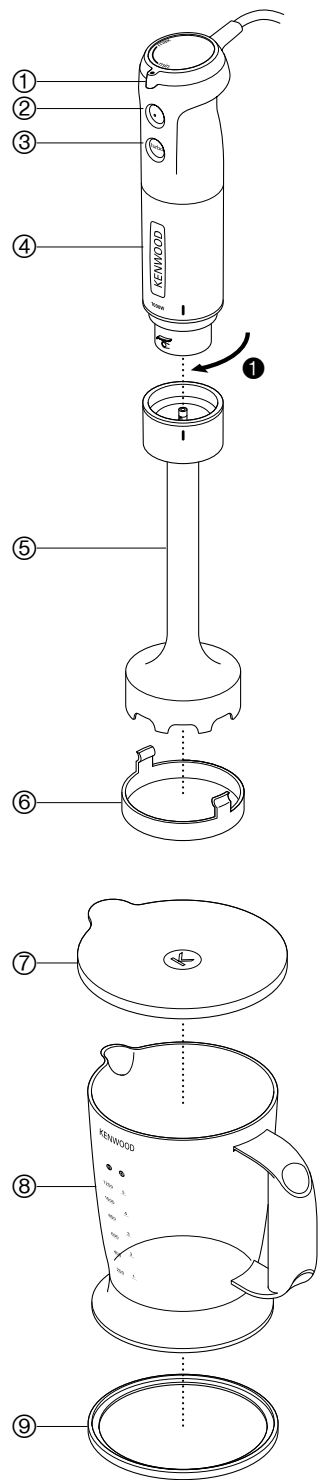
**Kenwood Ltd**

New Lane  
Havant  
Hampshire  
PO9 2NH

kenwoodworld.com



© Copyright 2020 Kenwood Limited. All rights reserved 129044/4



## safety

- Read these instructions carefully and retain for future reference.
- Remove all packaging and any labels.
- If the plug or cord is damaged it must, for safety reasons, be replaced by Kenwood or an authorised Kenwood repairer in order to avoid a hazard.
- Never touch the blades while the machine is plugged in.
- Keep fingers, hair, clothing and utensils away from moving parts.
- Unplug after use and before changing attachments.
- Never blend hot oil or fat.
- For safest use it is recommended to let hot liquids cool to room temperature before blending.
- Never use a damaged hand blender. Get it checked or repaired: see 'service and customer care'.
- Never put the power handle in water or let the cord or plug get wet - you could get an electric shock.
- Never let the cord touch hot surfaces or hang down where a child could grab it.
- Never use an unauthorised attachment.
- Always disconnect the hand blender from the power supply if it is left unattended and before assembling, disassembling or cleaning.
- Appliances can be used by persons with reduced physical, sensory or mental capabilities or lack of experience and knowledge if they have been given supervision or instruction concerning use of the appliance in a safe way and if they understand the hazards involved.

- This appliance shall not be used by children. Keep the appliance and its cord out of reach of children.
- Children should be supervised to ensure that they do not play with the appliance.
- Only use the appliance for its intended domestic use. Kenwood will not accept any liability if the appliance is subject to improper use, or failure to comply with these instructions.
- The rated power is based on the chopper attachment. Other attachments may draw less power.

### **important**

- With heavy mixtures to ensure long life of your machine, do not use your hand blender for longer than 50 seconds in any 4 minute period.
- Do not use the whisk or frother/foaming attachments for longer than 3 minutes in any 10 minute period.

### **chopper attachment**

- Do not touch the sharp blades.
- Remove the chopper blade before emptying the bowl.
- Never remove the cover until the chopper blade has completely stopped.
- Always hold the chopper blade by the finger grip away from the cutting blades, both when handling and cleaning.

#### **before plugging in**

- Make sure your electricity supply is the same as the one shown on the hand blender.
- This appliance conforms to EC Regulation 1935/2004 on materials and articles intended to come into contact with food.

#### **before using for the first time**

- Throw away the blade cover from the chopper blade as it is there to protect the blade during manufacture and transit only. Take care as the blades are very sharp.
- Wash all parts - see "care and cleaning".

## key

### hand blender

- ① variable speed control
- ② ON button
- ③ Turbo button
- ④ power handle
- ⑤ blender shaft with fixed triblade.
- ⑥ blade cover

### beaker (if supplied)

- ⑦ beaker lid
- ⑧ beaker
- ⑨ rubber ring base

### Ⓐ SOUP XL PRO (if supplied)

- ⑩ soup XL PRO
- ⑪ blade cover

### Ⓑ whisk (if supplied)

- ⑫ whisk collar
- ⑬ wire whisk

### Ⓒ frother/foaming tool (if supplied)

- ⑭ frother/foaming tool

### Ⓓ chopper (if supplied)

- ⑮ chopper cover
- ⑯ finger grip
- ⑰ chopper blade
- ⑱ bowl
- ⑲ rubber ring base
- ⑳ bowl lid

### Ⓔ Metal masherpro™ (if supplied)

- ㉑ masher collar
- ㉒ masher shaft
- ㉓ fine screen
- ㉔ coarse screen
- ㉕ masher paddle

## recommended usage chart

Ingredient/ recipe	Container	Speed	Processing Time *	Max Capacity
<b>Hand blender</b>				
Soups	2 litre saucepan	Turbo	25 secs	1 litre
Mayonnaise	1 litre beaker	Turbo	45-60 secs	4 Eggs 600ml Oil
Baby Food	1 litre beaker	Turbo	30-40 secs	300g
Smoothies/ Milkshakes	1 litre beaker	Turbo	30 secs	800ml
<b>Soup XL PRO</b>				
Soups	4 litre saucepan	Turbo	25 secs	2 litre
<b>Whisk</b>				
Egg Whites	Large glass bowl	Turbo	2-3 mins	4 (150g)
Cream	Large glass bowl	Turbo	2-2 ½ mins	400ml
<b>Chopper attachment</b>				
Meat	Chopper bowl	Turbo	10-15 secs	250g
Herbs	Chopper bowl	Turbo	5-10 secs	30g
Nuts	Chopper bowl	Turbo	10-15 secs	200g
Bread	Chopper bowl	Turbo	5-10 secs	1 slice
Onions	Chopper bowl	Pulse	–	200g
Biscuits	Chopper bowl	Turbo	15 secs	140g
Pate	Chopper bowl	Turbo	5-10 secs	150g
Prune Marinade 50g Small soft prunes 400g Runny honey 35g Water  Add the ingredients to the chopper bowl in the order stated above. Fit the lid and refrigerate overnight.	Chopper bowl	Turbo	3 secs	485g

recommended usage chart				
Ingredient/ recipe	Container	Speed	Processing Time *	Max Capacity
<b>Metal Masher Pro – Coarse Screen</b>				
<b>Cooked vegetables</b> (potatoes, swede, carrots and yams)	Large saucepan/ Large bowl	minimum	30-40 secs	600-800g
<b>Metal Masher Pro – Fine Screen</b>				
Cooked Potatoes	Large saucepan/ Large bowl	minimum	30-40 secs	600-800g
<b>Soft Fruits</b>				
Raspberries	Large bowl	minimum	30-40 secs	500g
Apricots	1 litre saucepan	minimum	30-40 secs	400g (softened in water)
<b>Frother/foaming Tool</b>				
Cold Milk	1 litre beaker	minimum	15-20 secs	400ml
Warm Milk - heated in saucepan until simmering	1 litre beaker	minimum	15-20 secs	300ml
(Cold skimmed milk produces the best froth)				
Fruit based foam	1 litre beaker	minimum	30 secs	(200g Fruit Puree + 200ml water)

\* This is for guidance only and will vary depending on the exact recipe and ingredients being processed.

#### to use the hand blender

- You can blend soups, sauces, milk shakes, mayonnaise and baby food etc.

#### for beaker blending (if beaker supplied)

- Fit the rubber ring base ⑨ on the bottom of the beaker. (This stops the beaker sliding on the worktop).
- Do not fill the beaker more than  $\frac{3}{4}$  full.
- After blending you can fit the lid ⑦ to the top of the beaker.

#### Note

If no beaker is supplied in your pack, select a suitably sized container. We would recommend a tall, straight sided vessel with a diameter slightly larger than the foot of the hand blender to allow movement of the ingredients but tall enough to prevent splashing.

#### for saucepan blending

- For safest use it is recommended to take the pan off the heat and let hot liquids cool to room temperature before blending.
- Use the soup XL PRO (if supplied) to quickly process soups etc., directly in the saucepan. Alternatively use the hand blender.
- **Do not use the soup blender to process uncooked vegetables.**

- 1 Remove the blade cover ⑥ or ⑩ from the end of the blender shaft/soup XL PRO.
- 2 Fit the power handle inside the blender shaft ❶ and turn clockwise to lock.
- 3 Plug in.

4 Place the food into the beaker or a similar container, then holding the beaker steady:

Select the required speed using the variable speed control then press the ON button.

Select a low speed for slower blending and to minimise splashing and a higher speed or Turbo for faster blending (refer to recommended usage chart).

● **To avoid splashing, place the blade in the food before switching on.**

● Do not let liquid get above the join between the power handle and blender shaft.

● Move the blade through the food and use a mashing or stirring action to incorporate the mixture.

● **Your hand blender is not suitable for ice crushing.**

● If your blender gets blocked, unplug before clearing.

5 After use release the ON or Turbo button. Unplug and turn the power handle anticlockwise to remove the blender shaft from the power handle.

**Ⓑ to use the whisk**

● You can whip light ingredients such as egg whites; cream and instant desserts.

● Do not whisk heavier mixtures such as fat and sugar - you'll damage the whisk.

1 Push the wire whisk into the whisk collar ②.

2 Fit the power handle to the whisk collar, turn clockwise to lock.

3 Place your food in a bowl.

4 Plug in and press the ON button. To whisk on a faster speed, select a higher speed or press the Turbo button. Move the whisk clockwise. To reduce splashing, select a low speed then press the ON button.

● Do not let liquid get above the whisk wires.

5 After use release the ON or Turbo button, unplug and dismantle.

**Ⓒ to use frother/foaming tool (if supplied)**

- Never add ingredients whilst the appliance is operating.
  - Take care when blending hot liquids, do not process more than 300mls in the beaker.
  - Do not process more than 400mls of cold milk in the beaker as it may overflow as it froths and thickens.
- 1 Fit the frother/foaming tool shaft to the power handle. Turn the power handle clockwise to lock.
  - 2 Start mixing on a low speed and increase the speed if required.

**hints**

- **To avoid splashing place the frother/foaming tool in the food to be processed before switching on. Always ensure that the bottom of the frother/foaming tool is fully submersed in the ingredients whilst processing.**
- Always add the liquid ingredients first.
- Always mash fruit to a smooth puree before adding.
- If using syrups and powder mixes add them just before mixing to prevent them from sinking to the bottom.
- For best results, all liquid ingredients should be as cold as possible.
- Milk drinks will taste better if the milk is ice cold. The colder the milk, the thicker and more frothy the drink. Skimmed milk will produce a frothier drink than semi skimmed or full fat milk.
- Never try to mix frozen fruit or crush ice.
- Break up large lumps of ice cream before frothing.

**Ⓓ to use the chopper (if supplied)**

- You can chop meat, vegetables, herbs, bread, biscuits and nuts.
- Do not chop hard foods such as coffee beans, ice cubes, spices or chocolate - you'll damage the blade.

- 1 Remove any bones and cut food into 1-2cm (½-1") cubes.
- 2 Fit the rubber ring base ⑱ on the bottom of the chopper bowl. (This stops the bowl sliding on the worktop.)
- 3 Fit the chopper blade over the pin in the bowl ③.
- 4 Add your food.
- 5 Fit the chopper cover, turn and lock ④.
- 6 Fit the power handle to the chopper cover ⑤ - turn clockwise to lock.
- 7 Plug in. Hold the bowl steady. Then press the Turbo button. Alternatively press the Turbo button in short bursts to achieve a pulsing action.
- 8 After use, unplug and dismantle.

**ⓔ Metal Masherpro™ (if supplied)**

**important**

- Never use the masher in a saucepan over direct heat. Always remove the saucepan from the heat and allow to cool slightly.
- Do not tap the masher on the side of the cooking vessel during or after mashing. Use a spatula to scrape excess food away.
- For best results when mashing never fill a saucepan etc., more than half full with food.

- 1 Cook hard vegetables and fruit and drain first before mashing.
- 2 Fit the masher collar to the masher shaft by turning in a clockwise direction until it locks in position ⑥.
- 3 Fit either the coarse or fine screen to the masher shaft – turn clockwise to lock ⑦.
- 4 Turn the masher upside down and fit the paddle over the central hub and turn anti-clockwise to secure ⑧.

**(If the collar is not fitted then the paddle will not secure in place).**

- 5 Fit the power handle to the masher assembly - turn clockwise to lock.
- 6 Plug in.

- 7 Place the masher in the saucepan or bowl etc.

Select a low speed on the variable control and then press the ON button (refer to recommended usage chart).

- Move the masher in an up and down movement throughout the mix until the desired result is achieved. Increase the speed if required.
- 8 After use release the ON button and unplug.
  - 9 Turn the power handle anticlockwise and remove the masher assembly.
  - 10 Remove the paddle from the masher by turning clockwise.
  - 11 Remove the screen by turning anti-clockwise ⑨ and then lift off.
  - 12 Unscrew the collar from the masher shaft.

**optional attachment (not supplied in pack)**

Mini chopper - refer to "service and customer care" section to order.

## care and cleaning

- Always switch off and unplug before cleaning.
- Do not touch the sharp blades.
- Some foods, eg carrot, may discolour the plastic. Rubbing with a cloth dipped in vegetable oil may help to remove discolouration.
- Do not use abrasives.

## care and cleaning guide

Item	Suitable for dishwashing 	Do Not immerse in Water 	Handwash 	Wipe with a damp cloth 
Power handle	x	✓	x	✓
Blender shaft *	x	✓	x	✓
soup XL PRO *	x	✓	x	✓
frother/foaming tool *	x	✓	x	✓
Beaker	✓	x	✓	✓
Beaker lid	✓	x	✓	✓
Beaker rubber ring base	✓	x	✓	✓
Blade cover	x	x	✓	✓
Chopper cover	x	✓	x	✓
Chopper bowl	✓	x	✓	✓
Chopper blade	✓	x	✓	✓
Chopper bowl lid	✓	x	✓	✓
Chopper bowl rubber ring base	✓	x	✓	✓
Whisk collar	x	✓	x	✓
Whisk	✓	x	✓	✓
Masher shaft	x	✓	x	✓
Masher paddle	✓	x	✓	✓
Masher collar	x	✓	x	✓
Masher	✓	x	✓	✓

**\* If water gets inside the shaft, drain and allow to dry before use.**



## hand blender shaft/soup XL PRO

either

- Part fill the beaker or a similar container with warm soapy water. Plug into the power supply, then insert the hand blender shaft or soup blender and switch on.
- Unplug, then dry or
- Wash the blades under running water, then dry thoroughly.
- **Never immerse in water or allow liquid inside the shaft. If water does get inside, drain and allow to dry before use.**
- **Do not dishwasher.**

### hint on cleaning the masher foot/shaft and screens

- If food has been allowed to dry onto the masher attachment, remove the paddle. Soak the paddle and bottom of the masher shaft in warm water to soften and then wash thoroughly.
- **Never immerse the masher shaft in water or allow liquid inside the shaft. If water does get inside, drain and allow to dry before use. important** - do not allow the masher collar to get wet.

## service and customer care

- If you experience any problems with the operation of your appliance, before requesting assistance refer to the “troubleshooting guide” section in the manual or visit [www.kenwoodworld.com](http://www.kenwoodworld.com).
- Please note that your product is covered by a warranty, which complies with all legal provisions concerning any existing warranty and consumer rights in the country where the product was purchased.

- If your Kenwood product malfunctions or you find any defects, please send it or bring it to an authorised KENWOOD Service Centre. To find up to date details of your nearest authorised KENWOOD Service centre visit [www.kenwoodworld.com](http://www.kenwoodworld.com) or the website specific to your Country.
- Designed and engineered by Kenwood in the UK.
- Made in China.



### IMPORTANT INFORMATION FOR CORRECT DISPOSAL OF THE PRODUCT IN ACCORDANCE WITH THE EUROPEAN DIRECTIVE ON WASTE ELECTRICAL AND ELECTRONIC EQUIPMENT (WEEE)

At the end of its working life, the product must not be disposed of as urban waste. It must be taken to a special local authority differentiated waste collection centre or to a dealer providing this service. Disposing of a household appliance separately avoids possible negative consequences for the environment and health deriving from inappropriate disposal and enables the constituent materials to be recovered to obtain significant savings in energy and resources. As a reminder of the need to dispose of household appliances separately, the product is marked with a crossed-out wheeled dustbin.

## troubleshooting guide

<b>Problem</b>	<b>Cause</b>	<b>Solution</b>
The hand blender will not operate	No Power  Hand Blender not assembled correctly	Check hand blender plugged in.  Check attachments securely locked to power handle.
Hand blender starts to slow or labour during processing.	Speed selected too low  Recommended operating time exceeded.	Increase speed  Do not operate the hand blender for longer than 50 seconds in any 4 minute period for heavy mixture or the whisk and frother/foaming tool for 3 minutes in any 10 minute period.
Excessive splashing during processing	Speed selected too high.  Container, bowl or pan too shallow or too small for ingredients being processed.	Select a lower speed initially and increase as the mixture thickens.  Select an appropriate sized container. Place the blades into the food before switching on.
Masher paddle will not remove from masher assembly	Masher collar not connected to masher shaft.	Ensure that masher collar is connected to masher shaft.
Power handle gets hot during operation.	The unit may have been used for an extended period of time.	Allow the unit to cool fully before using again.
The mixture is not blending.	The speed of the unit may not be appropriate for the ingredients being blended.	Gradually increase the speed and blend until desired result achieved.

# Nederlands

**Vouw de voorpagina a.u.b. uit voordat u begint te lezen. Op deze manier zijn de afbeeldingen zichtbaar**

## veiligheid

- Lees deze instructies zorgvuldig door en bewaar ze voor toekomstig gebruik.
- Verwijder de verpakking en alle labels.
- Als de stekker of het snoer beschadigd is, moet het om veiligheidsredenen door Kenwood of een door Kenwood geautoriseerd reparatiebedrijf vervangen worden, om gevaar te voorkomen.
- Raak nooit de messen aan terwijl de stekker van het apparaat in het stopcontact zit.
- Houd uw vingers, haar, kleding en keukengerei uit de buurt van bewegende onderdelen.
- Haal na gebruik en voordat u de hulpstukken verwisselt de stekker uit het stopcontact.
- Gebruik de staafmixer niet in hete olie of vet.
- Voor het veiligste gebruik raden we u aan hete vloeistoffen tot kamertemperatuur te laten afkoelen voordat u ze met de blender verwerkt.
- Gebruik de staafmixer nooit als hij beschadigd is. Laat hem dan nakijken of repareren: zie “onderhoud en klantenservice”.
- Dompel het handvat nooit onder in water en laat het snoer en de stekker niet nat worden – u zou een elektrische schok kunnen krijgen.
- Zorg ervoor dat het snoer geen hete oppervlakken raakt en niet van het werkoppervlak naar beneden hangt, zodat

kinderen eraan kunnen trekken.

- Gebruik nooit hulpstukken die niet bij de staafmixer horen.
- Haal de stekker altijd uit het stopcontact wanneer u de staafmixer onbeheerd achterlaat, en voordat u hem in elkaar zet, uit elkaar haalt of reinigt.
- Dit apparaat kan worden gebruikt door personen met verminderde lichamelijke, sensorische of geestelijke capaciteiten of gebrek aan ervaring en kennis mits ze onder toezicht staan of instructie hebben gekregen over het veilige gebruik van het apparaat, en de betrokken risico's begrijpen.
- Misbruik van dit apparaat kan persoonlijk letsel veroorzaken.
- Dit apparaat mag niet door kinderen worden gebruikt. Houd het apparaat en het snoer buiten het bereik van kinderen.
- Op kinderen moet toezicht gehouden worden om er zeker van te zijn dat ze niet met het apparaat spelen.
- Gebruik het apparaat alleen voor het huishoudelijke gebruik waarvoor het is bedoeld. Kenwood kan niet aansprakelijk worden gesteld in als het apparaat is misbruikt of als deze instructies niet zijn opgevolgd.
- Het nominale vermogen is gebaseerd op het hak-accessoire. Andere accessoires trekken mogelijk minder stroom.

### **belangrijk**

- Om een lange levensduur van uw apparaat te garanderen bij het verwerken van zware mengsels, dient u de staafmixer niet langer

dan 50 seconden per vier minuten te gebruiken.

- Gebruik de garde en andere opschuimhulpstukken niet langer dan 3 minuten per 10 minuten.

## **hakhulpstuk**

- Raak de scherpe messen niet aan.
- Verwijder het hakmes voordat u de kom leegt.
- Verwijder het deksel pas als het hakmes volledig tot stilstand is gekomen.
- Houd het hakmes bij het hanteren en schoonmaken altijd bovenaan bij de vingergreep vast, weg van het snijvlak.

### **voordat u de stekker in het stopcontact steekt**

- Zorg dat de elektriciteitsvoorziening dezelfde spanning heeft als op de staafmixer staat aangegeven.
- Dit apparaat voldoet aan EG Verordening 1935/2004 inzake materialen en voorwerpen die bestemd zijn om met levensmiddelen in contact te komen.

### **voordat u het apparaat voor de eerste keer gebruikt**

- Gooi de mesbescherming van het mes weg, omdat dit alleen bedoeld is om het mes tijdens de productie en vervoer te beschermen. Pas goed om, want de messen zijn erg scherp.
- Was alle onderdelen - zie onderhoud en reiniging.

## legenda

### **staafmixer**

- ① variabele snelheidsregelaar
- ② AAN-knop
- ③ Turboknop
- ④ handvat
- ⑤ blenderschacht met vast triblade.
- ⑥ mesbeschermmer

### **beker (indien meegeleverd)**

- ⑦ bekerdeksel
- ⑧ beker
- ⑨ rubber-ringbasis

### **Ⓐ SOUP XL PRO (indien meegeleverd)**

- ⑩ soup XL PRO
- ⑪ mesbeschermmer

### **Ⓑ garde (indien meegeleverd)**

- ⑫ gardekraag
- ⑬ draadgarde

### **Ⓒ opschuimhulpstuk (indien meegeleverd)**

- ⑭ opschuimhulpstuk

### **Ⓓ hakmes (indien meegeleverd)**

- ⑮ deksel hakhulpstuk
- ⑯ vingergreep
- ⑰ hakmes
- ⑱ kom
- ⑲ rubber-ringbasis
- ⑳ komdeksel

### **Ⓔ Metalen masherpro™ (indien meegeleverd)**

- ⑳ kraag pureerhulpstuk
- ㉑ schacht pureerhulpstuk
- ㉒ fijne pureerschijf
- ㉓ grove pureerschijf
- ㉔ pureerblad

## aanbevolen gebruikstabel

<b>Ingrediënt / recept</b>	<b>Bak</b>	<b>Snelheid</b>	<b>Verwerkings-tijd *</b>	<b>Max. capaciteit</b>
<b>Staafmixer</b>				
Soep	2 liter steelpan	Turbo	25 sec	1 liter
Mayonaise	1 liter beker	Turbo	45 - 60 sec	4 eieren 600 ml olie
Babyvoeding	1 liter beker	Turbo	30 - 40 sec	300 g
Smoothies / milkshakes	1 liter beker	Turbo	30 sec	800 ml
<b>Soup XL PRO</b>				
Soep	4 liter steelpan	Turbo	25 sec	2 liter
<b>Garde</b>				
Eiwit	Grote glazen kom	Turbo	2 - 3 min	4 (150 g)
Room	Grote glazen kom	Turbo	2 - 2½ min	400 ml
<b>Hakhulpstuk</b>				
Vlees	Kom hakapparaat	Turbo	10 - 15 sec	250 g
Kruiden	Kom hakapparaat	Turbo	5 - 10 sec	30 g
Noten	Kom hakapparaat	Turbo	10 - 15 sec	200 g
Brood	Kom hakapparaat	Turbo	5 - 10 sec	1 plak
Uien	Kom hakapparaat	Pulswerking	–	200 g
Koekjes	Kom hakapparaat	Turbo	15 sec	140 g
Paté	Kom hakapparaat	Turbo	5 - 10 sec	150 g
Pruimenmarinade 50 g Kleine, zachte gedroogde pruimen 400 g Vloeibare honing 35 g Water  Doe de ingrediënten in de bovenstaande volgorde in de kom van de blender. Plaats het deksel en zet het een nachtje in de koelkast.	Kom hakapparaat	Turbo	3 sec	485 g
<b>Metalen Masher Pro - grove schijf</b>				
<b>Gekookte groente</b> (aardappelen, koolraap, wortelen en yams)	Grote steelpan / grote kom	minimum	30 - 40 sec	600 - 800 g

\* Deze informatie dient alleen als richtlijn. Het uiteindelijke resultaat hangt af van het recept en de ingrediënten die worden verwerkt.

## aanbevolen gebruikstabel

Ingrediënt / recept	Bak	Snelheid	Verwerkings-tijd *	Max. capaciteit
<b>Metalen Masher Pro - fijne schijf</b>				
Gekookte aardappelen	Grote steelpan / grote kom	minimum	30 - 40 sec	600 - 800 g
<b>Zachte vruchten</b>	Grote kom	minimum	30 - 40 sec	500 g
Frambozen	1 liter steelpan	minimum	30 - 40 sec	400 g
Abrikozen				(geweekt in water)
<b>Opschuimhulpstuk</b>				
Koude melk	1 liter beker	minimum	15 - 20 sec	400 ml
Warme melk, sudderend in een pan	1 liter beker	minimum	15 - 20 sec	300 ml
(Koude magere melk schuimt het beste op)				
Opgeschuimde vruchten	1 liter beker	minimum	30 sec	(200 g fruitpuree + 200 ml water)

\* Deze informatie dient alleen als richtlijn. Het uiteindelijke resultaat hangt af van het recept en de ingrediënten die worden verwerkt.

### gebruik van de staafmixer

- U kunt soepen, sauzen, milkshakes, mayonaise en babyvoedsel enz. mengen.

### gebruik van de beker (indien meegeleverd)

- Breng de rubber-ringbasis ⑨ onder op de beker aan. (Dit voorkomt dat de beker over het werkoppervlak glijdt).
- Vul de beker niet verder dan  $\frac{2}{3}$  vol.
- Na het mengen kunt u het deksel ⑦ op de beker plaatsen.

### Let op!

Als uw verpakking geen beker bevat, selecteert u een container met geschikte afmetingen. We raden u aan een lange container met rechte zijanten te gebruiken met een iets grotere diameter dan de voet van de staafmixer, zodat de ingrediënten kunnen bewegen, maar door de lengte van de container niet spatten.

### blenden in een steelpan

- Voor het veiligste gebruik raden we u aan de pan van het vuur te nemen en hete vloeistoffen tot kamertemperatuur te laten afkoelen voordat u ze met de staafmixer verwerkt.

- Gebruik de soup XL PRO (indien meegeleverd) om soep, enz. direct in de soeppan snel te verwerken. U kunt ook de staafmixer daarvoor gebruiken.

### • Gebruik de soeblendener niet om rauwe groenten te verwerken.

- 1 Haal de mesbeschermer ⑥ of ⑩ van de staafmixer of soup XL PRO af.
  - 2 Bevestig het handvat aan de staaf ① en draai het naar rechts vast.
  - 3 Steek de stekker in het stopcontact.
  - 4 Plaats het voedsel in de beker of een gelijkaardige bak en houd de beker goed vast:  
Kies de benodigde snelheid met de variabele snelheidsregelaar en druk op de AAN-knop.  
Kies een lagere snelheid voor langzamer mengen en om spetters te minimaliseren, en een hogere snelheid of Turbo voor sneller mengen. (Raadpleeg de 'aanbevolen gebruikstabel'.)
- **Om spatten te voorkomen, plaats u het mes in het voedsel voordat u het apparaat inschakelt.**

- Laat de vloeistof niet boven de verbinding van het handvat en de staaf uitkomen.
- Beweeg het mes door het voedsel en gebruik een prakkende of roerende beweging om de massa goed te mengen.

● **Uw staafmixer is niet geschikt voor het verbrijzelen van ijsblokjes.**

- Als uw staafmixer geblokkeerd raakt, dient u de stekker uit het stopcontact te halen voordat u het apparaat reinigt.

- 5 Na het gebruik laat u de AAN- of Turboknop los. Haal de stekker uit het stopcontact en draai het handvat naar links van de staaf af.

**Ⓑ gebruik van de garde**

- U kunt lichte ingrediënten, zoals eiwitten, room en instant toetjes opkloppen.
  - Gebruik de garde niet voor zwaardere mengsels zoals vet en suiker, omdat hij daardoor beschadigd zal raken.
- 1 Duw de garde in de gardekraag ②.
  - 2 Bevestig het handvat aan de gardekraag en draai het naar rechts vast.
  - 3 Doe het voedsel in een kom.
  - 4 Steek de stekker in het stopcontact en druk op de AAN-knop. Als u de garde op hogere snelheid wilt gebruiken, kiest u een hogere snelheid of drukt u op de Turbo-knop. Beweeg de garde rechtsom. Als u spetters wilt minimaliseren, kiest u een lage snelheid en drukt u op de AAN-knop.

- Laat de vloeistof niet boven de draadgarde uit komen.

- 5 Laat na gebruik de AAN- of Turboknop los, trek de stekker uit het stopcontact en haal het apparaat uit elkaar.

**Ⓒ het opschuimhulpstuk gebruiken (indien meegeleverd)**

- Voeg nooit ingrediënten toe terwijl het apparaat aan staat.
- Wees voorzichtig bij het mengen van hete vloeistoffen. Verwerk nooit meer dan 300 ml in de beker.

- Verwerk nooit meer dan 400 ml koude melk in de beker, omdat de melk opschuimt, dikker wordt en kan overstromen.

- 1 Bevestig het opschuimhulpstuk aan het handvat. Draai het handvat naar rechts vast.
- 2 Start met mengen op een lage snelheid en verhoog de snelheid zo nodig.

**tips**

- **Om spetters te voorkomen plaatst u het opschuimhulpstuk in de vloeistof die verwerkt moeten worden, voordat u het apparaat inschakelt. Zorg er altijd voor dat de onderkant van het opschuimhulpstuk volledig in de vloeistof ondergedompeld is, voordat u de vloeistof gaat verwerken.**

- Voeg de vloeibare ingrediënten altijd als eerste toe.
- Stamp vruchten altijd tot een gladde puree voordat u ze toevoegt.
- Als u siroop of een poedermix gebruikt, voegt u deze ingrediënten toe vlak voordat u gaat mengen, zodat ze niet naar de bodem zakken.
- Voor het beste resultaat moeten alle vloeibare ingrediënten zo koud mogelijk zijn.
- Melkdrankjes smaken beter als de melk ijskoud is. Hoe kouder de melk, des de dikker en schuimender het drankje. Magere melk schuimt beter op dan halfvolle of volle melk.
- Verwerk nooit diepgevroren vruchten of fijn gemalen ijs.
- Maak grote brokken roomijs kleiner voordat u ze gaat opschuimen.

**Ⓓ het hakhulpstuk gebruiken (indien meegeleverd)**

- U kunt vlees, groenten, kruiden, brood, biscuitjes en noten hakken.
- Verwerk geen hard voedsel, zoals koffiebonen, ijsblokjes, specerijen of chocolade; hierdoor wordt het mes beschadigd.



- 1 Verwijder eventueel aanwezige botten en snijd het voedsel in dobbelsteentjes van 1-2 cm.
- 2 Breng de rubber-ringbasis ⑱ onder op de de kom van het hakapparaat aan. (Dit voorkomt dat de kom over het werkoppervlak glijdt).
- 3 Plaats het hakmes op de pen in de kom ❸.
- 4 Voeg het voedsel toe.
- 5 Zet het deksel op het hakhulpstuk, draai en vergrendel het ❹.
- 6 Bevestig het handvat aan het deksel van het hakhulpstuk ❺ en draai het handvat naar rechts vast.
- 7 Steek de stekker in het stopcontact en houd de kom vast. Druk op de Turboknop. Druk enkele malen kort op de Turboknop om te pulseren.
- 8 Haal de stekker na gebruik uit het stopcontact en haal het apparaat uit elkaar.

### Ⓔ **Metalen masherpro™** (indien meegeleverd)

#### **belangrijk**

- Gebruik het pureerhulpstuk nooit in een steelpan over direct vuur. Verwijder de steelpan van het vuur en laat hem even afkoelen.
  - Tik het pureerhulpstuk tijdens of na het pureren niet tegen de zijkant van de pan. Gebruik een spatel om het teveel aan voedsel weg te schrapen.
  - Voor de beste pureerresultaten vult u de steelpan, enz. nooit verder dan halfvol met voedsel.
- 1 Kook harde groenten en fruit en giet ze voor het pureren af.
  - 2 Bevestig de schacht van het pureerhulpstuk op het voetstuk van het pureerhulpstuk door naar rechts te draaien totdat hij is vergrendeld ❻.
  - 3 Bevestig òf de grove òf de fijne schijf aan de schacht van het pureerhulpstuk en draai naar rechts om te vergrendelen ❼.
  - 4 Keer het pureerhulpstuk ondersteboven en plaats het pureerblad over de centrale

as; draai naar links om het te vergrendelen ❸. **(Als de kraag niet is bevestigd kan het blad niet op zijn plaats worden gezet).**

- 5 Bevestig het handvat aan het pureerhulpstuk en draai het naar rechts vast.
- 6 Steek de stekker in het stopcontact.
- 7 Zet het pureerhulpstuk in de steelpan of kom enz.  
Kies een lage snelheid op de variabele snelheidsregelaar en druk op de AAN-knop (raadpleeg de 'aanbevolen gebruikstabel').
- Beweeg het pureerhulpstuk omhoog en omlaag door de hele mix totdat het gewenste resultaat is bereikt.
- 8 Laat na gebruik de AAN-knop los en haal de stekker uit het stopcontact.
- 9 Draai het handvat naar links van het pureerhulpstuk af.
- 10 Haal het pureerblad van het pureerhulpstuk door naar rechts te draaien.
- 11 Verwijder de schijf door naar links te draaien ❾ en hem er dan af te halen.
- 12 Schroef de kraag los van de schacht van het pureerhulpstuk.

#### **optioneel hulpstuk (niet in pak meegeleverd)**

Mini-hakhulpstuk – raadpleeg het gedeelte “onderhoud en klantenservice” om te bestellen.

### onderhoud en reiniging

- Schakel de staafmixer altijd uit en haal de stekker uit het stopcontact voordat u hem gaat reinigen.
- Raak de scherpe messen niet aan.
- Sommige ingrediënten, zoals wortelen, kunnen het plastic verkleuren. U kunt de verkleuring verwijderen door het plastic met een in plantaardige olie gedoopte doek te wrijven.
- Gebruik geen schuurmiddelen.

## verzorging en reiniging

Item	Geschikt voor de afwasmachine 	Niet in water onderdompelen 	Met de hand wassen 	Met een vochtige doek afvegen 
Handvat	x	✓	x	✓
Blenderschacht *	x	✓	x	✓
soup XL PRO *	x	✓	x	✓
Opschuim-hulpstuk *	x	✓	x	✓
Beker	✓	x	✓	✓
Bekerdeksel	✓	x	✓	✓
Rubber-ringbasis beker	✓	x	✓	✓
Mesbescherming	x	x	✓	✓
Deksel van het hakhulpstuk	x	✓	x	✓
Kom hakhulpstuk	✓	x	✓	✓
Hakmes	✓	x	✓	✓
Komdeksel hakhulpstuk	✓	x	✓	✓
Rubber-ringbasis kom hakhulpstuk	✓	x	✓	✓
Gardekraag	x	✓	x	✓
Garde	✓	x	✓	✓
Schacht pureerhulpstuk	x	✓	x	✓
Pureerblad	✓	x	✓	✓
Kraag pureerhulpstuk	x	✓	x	✓
Pureerhulpstuk	✓	x	✓	✓

\* **Als er water in de schacht terecht komt, laat u het uitstromen. Laat het apparaat uitdrogen voordat u het opnieuw gebruikt.**

## **staafmixer / soup XL PRO**

- Vul de beker of een soortgelijke container gedeeltelijk met warm zeepsop. Steek de stekker in het stopcontact, plaats de schacht van de staafmixer of soepblender op het apparaat en schakel de blender in.
- Trek de stekker uit het stopcontact en laat drogen  
OFWEL
- Was de messen onder stromend water en droog ze vervolgens goed af.
- **Nooit in water onderdompelen of vloeistof in de schacht laten lopen. Als er toch water binnendringt, laat u dit weglopen. Laat de schacht vóór het gebruik drogen.**
- **Was het apparaat niet in de afwasmachine.**  
**tip voor het reinigen van het voetstuk/de schacht en de schijven van het pureerhulpstuk**
- Als voedsel is opgedroogd op het pureerhulpstuk, verwijdert u het pureerblad. Week het pureerblad en het onderste deel van de schacht van het pureerhulpstuk in warm water om het voedsel zacht te maken en was de onderdelen vervolgens goed af.
- **De schacht van het pureerhulpstuk nooit in water onderdompelen of vloeistof in de schacht laten lopen. Als er toch water binnendringt, laat u dit weglopen en laat de schacht vóór gebruik drogen. belangrijk** – zorg dat de kraag van het pureerhulpstuk niet nat wordt.

## onderhoud en klantenservice

- Als u problemen ondervindt met de werking van de machine, raadpleegt u de informatie onder 'problemen oplossen' in deze handleiding of gaat u naar [www.kenwoodworld.com](http://www.kenwoodworld.com).
- Dit product is gedekt door een garantie die voldoet aan alle wettelijke regels voor bestaande garanties en consumentenrechten die gelden in het land waar het product is gekocht.
- Als uw Kenwood product niet goed functioneert of als u defecten opmerkt, kunt u het naar een erkend Service Center van KENWOOD sturen of brengen. Voor informatie over het KENWOOD Service Center in uw buurt gaat u naar [www.kenwoodworld.com](http://www.kenwoodworld.com) of naar de specifieke website in uw land.
- Ontworpen en ontwikkeld door Kenwood in het VK.
- Vervaardigd in China.



**BELANGRIJKE INFORMATIE  
VOOR DE JUISTE  
VERWIJDERING VAN HET  
PRODUCT VOLGENS DE  
EUROPESE RICHTLIJN  
BETREFFENDE AFGEDANKTE  
ELEKTRISCHE EN  
ELEKTRONISCHE APPARATUUR  
(AEEA)**

Aan het einde van de levensduur van het product mag het niet samen met het gewone huishoudelijke afval worden verwerkt. Het moet naar een speciaal centrum voor gescheiden afvalinzameling van de gemeente worden gebracht, of naar een verkooppunt dat deze service verschaft. Het apart verwerken van een huishoudelijk apparaat voorkomt mogelijke gevolgen voor het milieu en de gezondheid die door een ongeschikte verwerking ontstaan en zorgt ervoor dat de materialen waaruit het apparaat bestaat, teruggewonnen kunnen worden om een aanmerkelijke besparing van energie en grondstoffen te verkrijgen. Om op de verplichting tot gescheiden verwerking van elektrische huishoudelijke apparatuur te wijzen, is op het product het symbool van een doorgekruiste vuilnisbak aangebracht.

## problemen oplossen

<b>Probleem</b>	<b>Oorzaak</b>	<b>Oplossing</b>
De staafmixer functioneert niet.	Geen stroom.  De staafmixer is niet goed in elkaar gezet.	Controleer of de stekker in het stopcontact zit.  Controleer of de hulpstukken goed aan het handvat bevestigd zijn.
De staafmixer vertraagt of heeft moeite met de verwerking.	De gekozen snelheid is te laag.  De aanbevolen gebruikstijd is overschreden.	Verhoog de snelheid.  Gebruik de staafmixer nooit langer dan 50 seconden per 4 minuten voor een zwaar mengsel. Gebruik de garde of het opschuimhulpstuk nooit langer dan 3 minuten per 10 minuten.
Overmatig spetteren tijdens de verwerking.	De gekozen snelheid is te hoog.  De bak, kom of pan is te ondiep of te klein voor de ingrediënten die worden verwerkt.	Kies aanvankelijk een lagere snelheid en verhoog de snelheid zodra het mengsel dikker wordt.  Kies een kom met de juiste afmetingen. Plaats het mes in de vloeistof voordat u het apparaat inschakelt.
Het pureerblad komt niet los van het pureerhulpstuk.	De kraag van het pureerhulpstuk is niet aan de schacht van het pureerhulpstuk bevestigd.	Zorg ervoor dat de kraag van het pureerhulpstuk aan de schacht van het pureerhulpstuk is bevestigd.
Het handvat wordt tijdens de werking warm.	Het apparaat wordt waarschijnlijk langere tijd gebruikt.	Laat het apparaat afkoelen, voordat u het opnieuw gebruikt.
De ingrediënten worden niet vermengd.	De gekozen snelheid is mogelijk niet geschikt voor de ingrediënten die worden vermengd.	Verhoog de snelheid geleidelijk en vermeng de ingrediënten tot het gewenste resultaat is bereikt.

# Français

Avant de lire, veuillez déplier la première page contenant les illustrations

## sécurité

- Lisez et conservez soigneusement ces instructions pour pouvoir vous y référer ultérieurement.
- Retirez tous les éléments d'emballage et les étiquettes.
- Si le cordon ou la prise sont endommagés, il faut les faire remplacer, pour des raisons de sécurité, par Kenwood ou un réparateur agréé par Kenwood pour éviter tout accident.
- Ne touchez jamais les lames tant que l'appareil est branché.
- N'approchez pas vos doigts, vos cheveux, tout vêtement ou ustensile, des éléments mobiles de l'appareil lorsqu'il fonctionne.
- Débranchez après utilisation et avant de changer les accessoires.
- Ne mélangez jamais d'huile, ou toute autre matière grasse, chaude.
- Pour une utilisation en toute sécurité, il est recommandé de laisser les liquides chauds refroidir à température ambiante avant de mixer.
- N'utilisez jamais un mélangeur à main endommagé ou en mauvais état. Faites-le vérifier et réparer. Pour cela, reportez-vous à la rubrique "service après-vente".
- Ne mettez jamais la poignée d'alimentation dans l'eau et ne laissez jamais le cordon d'alimentation ou la prise électrique se mouiller – vous risquez alors de vous électrocuter.
- Ne laissez jamais le cordon d'alimentation au contact de surfaces chaudes ou pendre

de telle façon qu'un enfant puisse s'en saisir.

- N'utilisez jamais un accessoire non adapté à cet appareil.
- Débranchez toujours le mélangeur à main de l'alimentation électrique lorsqu'il est sans surveillance et avant d'assembler, de démonter ou de nettoyer.
- Les appareils peuvent être utilisés par des personnes dont les capacités physiques, sensorielles ou mentales sont diminuées, ou qui ne disposent pas des connaissances ou de l'expérience nécessaires, si elles ont été formées et encadrées pour l'utilisation des appareils, et si elles ont conscience des risques encourus.
- Toute mauvaise utilisation de votre appareil peut être source de blessures.
- Cet appareil ne doit pas être utilisé par des enfants. Veuillez garder l'appareil et le cordon hors de portée des enfants.
- Les enfants doivent être surveillés afin qu'ils ne puissent pas jouer avec cet appareil.
- N'employez l'appareil qu'à la fin domestique prévue. Kenwood décline toute responsabilité dans les cas où l'appareil est utilisé incorrectement ou que les présentes instructions ne sont pas respectées.
- La puissance nominale est basée sur les données du hachoir. Es autres accessoires peuvent demander moins d'énergie.

### **important**

- Pour les mélanges épais, n'utilisez pas votre mélangeur à main pendant plus de 50 secondes par période de 4 minutes.

- N'utilisez pas le fouet ou un accessoire à mousse pendant plus de 3 minutes par période de 10 minutes.

## **fixation du hachoir**

- Ne touchez pas les lames coupantes.
- Retirez la lame du hachoir avant de vider le bol.
- Ne retirez jamais le couvercle tant que la lame du hachoir n'est pas complètement arrêtée.
- Tenez toujours la lame du hachoir par la partie haute du manche, le plus loin possible des lames, tant lors de la manipulation que du nettoyage.

### **avant de brancher l'appareil**

- Assurez-vous que votre alimentation électrique correspond à celle qui est indiquée sur la partie inférieure du mélangeur à main.
- Cet appareil est conforme au règlement 1935/2004 de la CE sur les matériaux et les articles destinés au contact alimentaire.

### **avant d'utiliser votre appareil pour la première fois**

- Jetez la protection de la lame du hachoir, elles sont là pour protéger la lame pendant la fabrication et le transport uniquement. Attention, les lames sont très tranchantes.
- Lavez les éléments : voir 'entretien et nettoyage'.

## **légende**

### **mélangeur à main**

- ① commande de vitesse variable
- ② bouton ON
- ③ bouton Turbo
- ④ poignée d'alimentation

⑤ manche du mixeur avec Triblade fixé

⑥ protège-lame

### **bol (si fourni)**

⑦ couvercle du bol

⑧ bol

⑨ socle en caoutchouc

### **(A) SOUP XL PRO (si fourni)**

⑩ soup XL PRO

⑪ protège-lame

### **(B) fouet (si fourni)**

⑫ collier du fouet

⑬ fouet métallique

### **(C) accessoire à mousse (si fourni)**

⑭ accessoire à mousse

### **(D) hachoir (si fourni)**

⑮ couvercle du hachoir

⑯ manche

⑰ lame du hachoir

⑱ bol

⑲ socle en caoutchouc

⑳ couvercle du gobelet

### **(E) Presse-purée en métal masherpro™ (si fourni)**

㉑ collier du presse-purée

㉒ axe du presse-purée

㉓ tamis fin

㉔ tamis épais

㉕ pale du presse-purée



Guide d'utilisation				
Ingrédient/ recette	Contenant	Vitesse	Durée de mélange *	Capacité maximale
<b>Mélangeur à main</b>				
Soupes	Casserole 2 litres	Turbo	25 secs	1 litre
Mayonnaise	Bol 1 litre	Turbo	45-60 secs	4 Œufs 600ml Huile
Purées bébé	Bol 1 litre	Turbo	30-40 secs	300 g
Smoothies/ Milkshakes	Bol 1 litre	Turbo	30 secs	800 ml
<b>Soup XL PRO</b>				
Soupes	Casserole 4 litres	Turbo	25 secs	2 litres
<b>Fouet</b>				
Blancs d'œuf	Grand saladier en verre	Turbo	2-3 mins	4 (150 g)
Crème	Grand saladier en verre	Turbo	2-2 ½ mins	400 ml
<b>Accessoire Hachoir</b>				
Viande	Bol hachoir	Turbo	10-15 secs	250 g
Herbes aromatiques	Bol hachoir	Turbo	5-10 secs	30 g
Noix, noisettes, amandes...	Bol hachoir	Turbo	10-15 secs	200 g
Pain	Bol hachoir	Turbo	5-10 secs	1 tranche
Oignons	Bol hachoir	Impulsion	-	200 g
Biscuits	Bol hachoir	Turbo	15 secs	140 g
Pâté	Bol hachoir	Turbo	5-10 secs	150 g
Marinade aux pruneaux 50 g Petits pruneaux tendre 400 g Miel liquide 35 g Eau  Ajoutez les ingrédients dans le bol du hachoir dans l'ordre indiqué ci-dessus. Placez le couvercle et laissez à refroidir pendant la nuit.	Bol hachoir	Turbo	3 secs	485 g
<b>Presse-purée en métal Masher Pro - Tamis épais</b>				
<b>Légumes cuits</b> (pommes de terre, navets, carottes, patates douces)	Grande casserole/ Grand saladier	minimum	30-40 secs	600-800 g

\* Ce guide n'a qu'une valeur indicative et varie selon la recette exacte et les ingrédients à mélanger.

Guide d'utilisation				
Ingrédient/ recette	Contenant	Vitesse	Durée de mélange *	Capacité maximale
<b>Presse-purée en métal Masher Pro – Tamis fin</b>				
Pommes de terre cuites	Grande casserole/ Grand saladier	minimum	30-40 secs	600-800 g
<b>Fruits mous</b> Framboises Abricots	Grand saladier / casserole 1 litre	minimum minimum	30-40 secs 30-40 secs	500 g 400 g (ramolli dans l'eau)
<b>Accessoire de mousse</b>				
Lait froid	Bol 1 litre	minimum	15-20 secs	400 ml
Lait chaud – chauffé en casserole jusqu'à frémir	Bol 1 litre	minimum	15-20 secs	300 ml
(Les laits écrémés froids produisent la meilleure mousse)				
Mousse à base de fruit	Bol 1 litre	minimum	30 secs	(200 g Purée de fruits + 200 ml eau)

\* Ce guide n'a qu'une valeur indicative et varie selon la recette exacte et les ingrédients à mélanger.

### utilisation du mélangeur à main

- Vous pouvez faire des soupes, des sauces, des milk-shakes, de la mayonnaise, des aliments pour bébé, etc.

### pour mélanger avec le bol (si fourni)

- Posez le socle en caoutchouc sur le fond du bol ⑨. (Cela évite ainsi au bol de glisser sur le plan de travail).
- Ne remplissez le bol qu'au deux tiers de sa contenance totale.
- Après avoir mélangé, vous pouvez ajuster le couvercle ⑦ sur le bol.

### Remarque

Si votre ustensile est fourni sans bol, choisissez un récipient de taille adaptée. Nous vous conseillons de prendre un récipient haut, à bords droits, avec un diamètre légèrement plus large que l'embase du mélangeur à main, pour permettre ainsi le déplacement des ingrédients, tout en étant suffisamment haut pour éviter les éclaboussures.

### pour mélanger les sauces

- Pour une utilisation en toute sécurité, il est recommandé de retirer la casserole du feu et de laisser les liquides chauds refroidir à température ambiante avant de mixer.
- Utilisez le Soup XL PRO (si fourni) pour mixer rapidement les soupes, etc., directement dans la casserole. Sinon, utilisez le mélangeur à main.
- **N'utilisez pas le mélangeur à soupe pour mixer des légumes crus.**

- 1 Retirez le protège-lame ⑥ ou ⑪ au bout de l'axe mélangeur / du Soup XL PRO.
- 2 Insérez la poignée d'alimentation dans l'axe mélangeur ❶ et tournez dans le sens des aiguilles d'une montre pour verrouiller.
- 3 Branchez l'appareil.
- 4 Placez les ingrédients dans le bol ou un récipient similaire, puis, en maintenant le bol immobile : Sélectionnez la vitesse désirée à l'aide du variateur de vitesse puis appuyez sur le bouton ON.

Choisissez une faible vitesse pour mixer lentement et pour éviter le plus possible les éclaboussures, et une vitesse plus élevée ou la vitesse Turbo pour un mélange plus rapide. (Référez-vous au guide d'utilisation.)

● **Pour éviter les projections, mettez la lame dans les aliments avant de mettre l'appareil en marche.**

● Ne laissez pas le liquide dépasser le niveau du joint entre la poignée d'alimentation et le corps du mélangeur.

● Déplacez la lame dans les aliments et mélangez la préparation en effectuant un mouvement d'écrasement ou en tournant.

● **Votre mélangeur à main n'est pas adapté pour piler de la glace.**

● Si votre mélangeur s'obstrue, débranchez-le avant de dégager les aliments.

5 Après utilisation, relâchez le bouton ON ou Turbo. Débranchez et tournez la poignée d'alimentation dans le sens inverse des aiguilles d'une montre pour retirer l'axe mélangeur de la poignée d'alimentation.

ⓑ **utilisation du fouet**

● Vous pouvez battre des ingrédients légers tels que des blancs d'œuf, de la crème et des desserts instantanés.

● Ne fouettez pas de mélanges très épais, tels que matière grasse et sucre – vous endommageriez le fouet.

1 Enfoncez le fouet à tiges métalliques dans le collier du fouet ②.

2 Insérez la poignée d'alimentation dans le collier du fouet, tournez dans le sens des aiguilles d'une montre pour verrouiller.

3 Placez les aliments dans un bol.

4 Branchez et appuyez sur le bouton ON. Pour fouetter à vitesse plus rapide, sélectionnez une vitesse plus rapide ou appuyez sur le bouton Turbo. Déplacez le fouet dans le sens des aiguilles

d'une montre. Pour réduire les éclaboussures, sélectionnez une vitesse lente puis appuyez sur le bouton ON.

● Ne laissez pas le liquide dépasser le niveau des tiges métalliques du fouet.

5 Après utilisation, relâchez le bouton ON, débranchez et démontez.

ⓒ **pour utiliser l'accessoire à mousse (si fourni)**

● Ne jamais ajouter d'ingrédients pendant que l'appareil est en marche.

● Faites attention en mélangeant des liquides chauds, ne mélangez pas plus de 300ml dans le bol.

● Ne mélangez pas plus de 400ml de lait froid dans le bol car il pourrait déborder en moussant et en s'épaississant.

1 Insérez l'accessoire à mousse dans la poignée d'alimentation. Tournez la poignée dans le sens des aiguilles d'une montre pour verrouiller.

2 Commencez à mélanger à vitesse faible puis augmentez la vitesse si nécessaire.

**astuces**

● **Pour éviter les éclaboussures, placez l'accessoire à mousse dans le mélange avant de mettre l'appareil en marche. Assurez-vous que le bas de l'accessoire à mousse est pleinement immergé dans les ingrédients pendant que vous les mélangez.**

● Ajoutez toujours les ingrédients liquides en premier.

● Ecrasez les fruits en purée avant de les ajouter

● Si vous utilisez des sirops et des mélanges avec des poudres, ajoutez-les avant de mélanger pour les empêcher de couler au fond.

● Pour de meilleurs résultats, tous les ingrédients liquides doivent être les plus froids possible.

● Les boissons lactées auront meilleur goût si le lait est très froid. Plus le lait est froid, plus la boisson sera épaisse et mousseuse. Le

lait écrémé produit une boisson plus mousseuse que le lait demi-écrémé ou entier.

- N'essayez jamais de mélanger des fruits congelés ou de piler de la glace.
- Débitez de gros bouts de crème glacée avant de faire mousser.

### ⓓ **pour utiliser le hachoir (si fourni)**

- Vous pouvez hacher de la viande, des légumes, des herbes aromatiques, du pain, des biscuits et des fruits secs tels que noix, noisettes, amandes, etc.
  - Ne mixez pas des aliments solides tels que des grains de café, des glaçons, des épices ou du chocolat – vous risqueriez d'endommager la lame.
- 1 Retirez toute trace d'os et découpez les aliments en cubes de 1 à 2 cm.
  - 2 Posez le socle en caoutchouc sur le fond du bol du hachoir ⑱. (Cela évite ainsi au bol de glisser sur le plan de travail).
  - 3 Montez la lame du hachoir sur la broche à l'intérieur du bol ③.
  - 4 Ajoutez vos aliments.
  - 5 Installez le couvercle du hachoir, tournez pour verrouiller ④.
  - 6 Ajustez la poignée d'alimentation sur le couvercle du hachoir ⑤ - Tournez dans le sens des aiguilles d'une montre pour verrouiller.
  - 7 Branchez l'appareil. Maintenez le bol immobile. Puis appuyez sur le bouton Turbo. Alternativement, appuyez sur le bouton Turbo par courtes impulsions pour que l'opération se fasse plus rapidement.
  - 8 Après utilisation, débranchez et démontez.

### ⓔ **Presse-purée en métal masherpro™ (si fourni)**

#### **important**

- N'utilisez jamais le presse-purée dans une casserole directement sur le feu. Retirez toujours la casserole du feu et laissez légèrement refroidir.

- Ne tapotez pas le presse-purée contre les parois du récipient pendant ou après le mixage. Utilisez une spatule pour retirer l'excédent d'aliment.
- Pour de meilleurs résultats lorsque vous broyez vos aliments, ne remplissez jamais la casserole d'aliments au-delà de la moitié du récipient.

- 1 Faites cuire les fruits et légumes durs et égouttez-les avant de les écraser.
- 2 Montez le collier du presse-purée sur l'axe du presse-purée en le tournant dans le sens des aiguilles d'une montre ⑥.
- 3 Installez le tamis épais ou le tamis fin sur l'arbre du presse-purée - tournez dans le sens des aiguilles d'une montre pour verrouiller ⑦.
- 4 Retournez le presse-purée et assemblez la pale sur le noyau central, puis tournez dans le sens contraire des aiguilles d'une montre pour verrouiller ⑧. **(Si le collier n'est pas monté, alors la pale n'est pas sécurisée en place).**
- 5 Ajustez la poignée d'alimentation sur l'ensemble presse-purée. Tournez dans le sens des aiguilles d'une montre pour verrouiller.
- 6 Branchez.
- 7 Insérez le pilon dans la casserole ou le bol, etc. Sélectionnez une vitesse lente à l'aide du variateur de vitesse puis appuyez sur le bouton ON. (Référez-vous au tableau d'utilisation recommandée.)
- Faites monter et descendre le pilon dans le mélange jusqu'à obtention de la consistance souhaitée.
- 8 Après utilisation, relâchez le bouton ON et débranchez.
- 9 Tournez la poignée d'alimentation dans le sens inverse des aiguilles d'une montre et retirez l'ensemble presse-purée.
- 10 Retirez la pale du presse-purée en tournant dans le sens des aiguilles d'une montre.

11 Enlevez le tamis en tournant dans le sens inverse des aiguilles d'une montre **9** et retirez-le.

12 Dévissez le collier de l'arbre du presse-purée .



**accessoire en option (non inclus dans le paquet)**

Mini hachoir - reportez-vous à la section " service après-vente " pour passer commande.

## entretien et nettoyage

- Eteignez et débranchez toujours l'appareil avant de le nettoyer.
- Ne touchez pas les lames tranchantes.
- Certains aliments, comme les carottes, sont susceptibles de décolorer le plastique. Frotter le récipient avec un chiffon imbibé d'huile végétale aide à éliminer la décoloration.
- N'utilisez pas de matières abrasives.

## Guide d'entretien

Pièce	Lavable au lave-vaisselle 	Ne pas immerger dans l'eau 	Lavage à la main 	Essuyer avec un tissu mouillé 
Poignée d'alimentation	x	✓	x	✓
Axe du mélangeur *	x	✓	x	✓
soup XL PRO *	x	✓	x	✓
Accessoire à mousse *	x	✓	x	✓
Bol	✓	x	✓	✓
Couvercle du bol	✓	x	✓	✓
Socle du bol en caoutchouc	✓	x	✓	✓
Protège-lame	x	x	✓	✓
Couvercle du hachoir	x	✓	x	✓
Bol du hachoir	✓	x	✓	✓
Lame du hachoir	✓	x	✓	✓
Couvercle du bol du hachoir	✓	x	✓	✓
Socle du bol du hachoir en caoutchouc	✓	x	✓	✓
Collier du fouet	x	✓	x	✓
Fouet	✓	x	✓	✓
Arbre du presse-purée	x	✓	x	✓
Pale du presse-purée	✓	x	✓	✓
Collier du presse-purée	x	✓	x	✓
Presse-purée	✓	x	✓	✓

\* Si de l'eau pénètre à l'intérieur de l'axe, égouttez et laissez sécher avant utilisation.

## **Axe du mélangeur/soup XL PRO soit**

- Remplissez en partie le bol ou un récipient similaire avec de l'eau savonneuse. Branchez sur l'alimentation, puis introduisez l'arbre du mélangeur à main ou du mixeur pour soupe et mettez en marche.
- Débranchez, puis ensuite séchez. ou
- Lavez les lames sous l'eau du robinet, puis séchez soigneusement.
- **Ne jamais immerger dans l'eau et ne pas laisser du liquide pénétrer à l'intérieur de l'axe. Si cela devait se produire, égouttez et laissez sécher avant utilisation.**
- **Ne pas laver au lave-vaisselle.**

## **Conseils pour le nettoyage de l'arbre / pied du presse-purée et des tamis**

- Si des aliments ont séché à l'intérieur de l'accessoire du presse-purée, retirez la pale. Plongez-la ainsi que le fond de l'arbre du presse-purée dans de l'eau chaude pour ramollir les aliments séchés et lavez-les minutieusement.
- **N'immergez jamais l'arbre du presse-purée dans l'eau ni ne laissez un quelconque liquide pénétrer dedans. Si de l'eau pénètre à l'intérieur, égouttez et laissez sécher avant toute utilisation. important** – ne laissez pas le collier du presse-purée se mouiller.

## **service après-vente**

- Si vous rencontrez des problèmes lors de l'utilisation de votre appareil, reportez-vous à la section « guide de dépannage » de ce manuel ou consultez la page [www.kenwoodworld.com](http://www.kenwoodworld.com) avant de contacter le service après-vente.
- N'oubliez pas que votre appareil est couvert par une garantie, qui respecte toutes les dispositions

légalles concernant les garanties existantes et les droits du consommateur dans le pays où vous avez acheté le produit.

- Si votre appareil Kenwood fonctionne mal ou si vous trouvez un quelconque défaut, veuillez l'envoyer ou l'apporter à un centre de réparation KENWOOD autorisé. Pour trouver des détails actualisés sur votre centre de réparation KENWOOD le plus proche, veuillez consulter [www.kenwoodworld.com](http://www.kenwoodworld.com) ou le site internet spécifique à votre pays.
- Conçu et développé par Kenwood au Royaume-Uni.
- Fabriqué en Chine.



## **AVERTISSEMENTS POUR L'ÉLIMINATION CORRECTE DU PRODUIT CONFORMÉMENT AUX TERMES DE LA DIRECTIVE EUROPÉENNE RELATIVE AUX DÉCHETS D'ÉQUIPEMENTS ÉLECTRIQUES ET ÉLECTRONIQUES (DEEE).**

Au terme de son utilisation, le produit ne doit pas être éliminé avec les déchets urbains.

Le produit doit être remis à l'un des centres de collecte sélective prévus par l'administration communale ou auprès des revendeurs assurant ce service.

Éliminer séparément un appareil électroménager permet d'éviter les retombées négatives pour l'environnement et la santé dérivant d'une élimination incorrecte, et permet de récupérer les matériaux qui le composent dans le but d'une économie importante en termes d'énergie et de ressources. Pour rappeler l'obligation d'éliminer séparément les appareils électroménagers, le produit porte le symbole d'un caisson à ordures barré.

## Axe du mélangeur/soup XL PRO

soit

- Remplissez en partie le bol ou un récipient similaire avec de l'eau savonneuse. Branchez sur l'alimentation, puis introduisez l'arbre du mélangeur à main ou du

mixeur pour soupe et mettez en marche.

- Débranchez, puis ensuite séchez. ou
- Lavez les lames sous l'eau du robinet, puis séchez soigneusement.

## Guide de dépannage

Problème	Cause	Solution
Le mélangeur à main ne se met pas en marche	Pas d'électricité  Mélangeur à main mal assemblé	Vérifier que le mélangeur est branché.  Vérifier que toutes les pièces sont bien attachées à la poignée d'alimentation.
Le mélangeur à main démarre trop lentement ou a du mal à mélanger.	Vitesse sélectionnée trop basse  Temps d'utilisation recommandé dépassé.	Augmenter la vitesse  Ne pas utiliser le mélangeur à main pendant plus de 50 secondes par période de 4 minutes pour les mélanges lourds ou le fouet/l'accessoire à mousse pendant plus de 3 minutes par période de 10 minutes.
Trop d'éclaboussures pendant l'opération de mélange	Vitesse sélectionnée trop élevée.  Le contenant, le bol ou la casserole ne sont pas assez profonds ou sont trop petits pour les ingrédients à mélanger.	Sélectionner une vitesse plus faible au départ et augmenter la vitesse au fur et à mesure que le mélange épaissit.  Choisir un contenant de taille appropriée. Placer les lames dans les aliments avant de mettre l'appareil en marche.
La pale du presse-purée ne se retire pas de l'ensemble	Le collier du presse-purée n'est pas connecté à l'axe du presse-purée.	S'assurer que le collier du presse-purée est bien connecté à l'axe du presse-purée.
La poignée d'alimentation chauffe pendant l'utilisation.	L'appareil a peut-être été utilisé pendant une période trop longue.	Laisser l'appareil refroidir avant de l'utiliser à nouveau.
Les ingrédients ne se mélangent pas.	La vitesse de l'appareil n'est peut-être pas appropriée pour les ingrédients à mélanger.	Augmenter graduellement la vitesse et mélanger jusqu'à obtenir le résultat désiré.

# Deutsch

**Vor dem Lesen bitte die Titelseite mit den Illustrationen auseinanderfalten**

## Sicherheit

- Lesen Sie diese Anleitungen sorgfältig durch und bewahren Sie sie zur späteren Bezugnahme auf.
- Entfernen Sie sämtliche Verpackungen und Aufkleber.
- Falls Stecker oder Netzkabel beschädigt sind, müssen sie aus Sicherheitsgründen von Kenwood oder einer autorisierten Kenwood-Kundendienststelle ausgetauscht werden, um Gefahren zu vermeiden.
- Messer nicht berühren, solange das Gerät an die Steckdose angeschlossen ist.
- Finger, Haare, Kleidung und Küchengeräte von bewegten Teilen fernhalten.
- Nach der Benutzung und zum Wechseln des Vorsatzes immer den Netzstecker ziehen.
- Nie heißes Öl oder Fett verarbeiten.
- Zur sichersten Verwendung wird empfohlen, heiße Flüssigkeiten vor dem Pürieren auf Raumtemperatur abkühlen zu lassen.
- Einen beschädigten Stabmixer nicht weiter benutzen, sondern erst überprüfen bzw. reparieren lassen: siehe "Kundendienst und Service".
- Um elektrische Schläge zu vermeiden, Antriebsteil nie in Wasser tauchen und Netzkabel / Netzstecker nicht nass werden lassen.
- Immer darauf achten, dass das Netzkabel keine heißen Flächen berührt oder von der Arbeitsfläche herunterhängt, so dass ein Kind daran ziehen könnte.
- Nur zugelassene Zusatzteile verwenden.



- Wenn der Stabmixer nicht verwendet wird und vor dem Auseinandernehmen, Zusammensetzen oder Reinigen immer den Netzstecker ziehen.
- Geräte können von Personen mit körperlichen, sensorischen oder geistigen Behinderungen oder von Personen mit mangelnder Erfahrung oder Kenntnis verwendet werden, sofern diese beaufsichtigt oder in die sichere Verwendung des Geräts eingewiesen wurden und sofern sie die damit verbundenen Gefahren verstehen.
- Unsachgemäßer Gebrauch Ihres Geräts kann zu Verletzungen führen.
- Dieses Gerät darf nicht von Kindern verwendet werden. Gerät und Netzkabel müssen für Kinder unzugänglich sein.
- Kinder müssen überwacht werden, damit sie nicht mit dem Gerät spielen.
- Das Gerät nur für seinen vorgesehenen Zweck im Haushalt verwenden. Kenwood übernimmt keine Haftung bei unsachgemäßer Benutzung des Geräts oder Nichteinhaltung dieser Anleitungen.
- Der maximale Leistungswert wurde anhand des Zerkleinerer-Aufsatzes berechnet. Bei anderen Aufsätzen ist die Leistungsaufnahme u. U. geringer.

### **Wichtig**

- Zur Gewährleistung einer langen Lebensdauer Ihres Geräts den Stabmixer bei schweren Mischungen maximal 50 Sekunden pro 4-Minuten-Zeitraum betreiben.

- Den Schneebesen oder Aufschäumer/Schaumschläger maximal 3 Minuten pro 10-Minuten-Zeitraum verwenden.

## **Zerkleinerer**

- Die scharfen Messer nicht berühren.
- Vor Entleeren der Schüssel das Schlagmesser herausnehmen.
- Abdeckung erst abnehmen, nachdem das Schlagmesser ganz zum Stillstand gekommen ist.
- Das Schlagmesser beim Handhaben und Reinigen stets am Fingergriff und mit Abstand zu den Klingen festhalten.

### **Vor dem Anschluss**

- Überprüfen Sie, dass Ihre Netzspannung mit der auf dem Typenschild des Stabmixers angegebenen Spannung übereinstimmt.
- Das Gerät entspricht der EG-Verordnung Nr. 1935/2004 über Materialien und Gegenstände, die dazu bestimmt sind, mit Lebensmitteln in Berührung zu kommen.

### **Vor dem ersten Gebrauch**

- Entsorgen Sie die Abdeckung der Zerkleinerungsklinge. Sie ist nur dazu bestimmt, die Klinge bei Herstellung und Transport zu schützen. Bitte vorsichtig sein, denn die Klingen sind sehr scharf.
- Waschen Sie die Teile ab: siehe „Pflege und Reinigung“.

## **Übersicht**

### **Stabmixer**

- ① Geschwindigkeitsregler
- ② EIN/AUS-Taste
- ③ Turbo-Taste
- ④ Arbeitsgriff
- ⑤ Mixerschaft mit festem Tribblade.
- ⑥ Klingenabdeckung

### **Becher (wenn im Lieferumfang)**

- ⑦ Becherdeckel
- ⑧ Becher
- ⑨ Gummisockel

### **(A) SOUP XL PRO (wenn im Lieferumfang)**

- ⑩ Soup XL PRO
- ⑪ Klingenabdeckung

### **(B) Schneebesen (wenn im Lieferumfang)**

- ⑫ Schneebesenmanschette
- ⑬ Draht-Schneebesen

### **(C) Aufschäumer/Schaumschläger (wenn im Lieferumfang)**

- ⑭ Aufschäumer/Schaumschläger

### **(D) Zerkleinerer (wenn im Lieferumfang)**

- ⑮ Zerkleinerer-Deckel
- ⑯ Fingergriff
- ⑰ Schlagmesser
- ⑱ Schüssel
- ⑲ Gummisockel
- ⑳ Schüsseldeckel

### **(E) masherpro™ Metall-Stampfer (wenn im Lieferumfang)**

- ⑳ Stampfermanschette
- ㉑ Stampferschaft
- ㉒ Feine Stampfscheibe
- ㉓ Grobe Stampfscheibe
- ㉔ Stampferpaddel

# Empfehlungstabelle

Zutat/ Rezept	Behälter	Geschw.	Verarbeitungs- zeit *	Maximale Höchst- menge
<b>Stabmixer</b>				
Suppen	2-Liter-Topf	Turbo	25 Sek.	1 Liter
Mayonnaise	1-Liter-Becher	Turbo	45 – 60 Sek.	4 Eier 600 ml Öl
Babykost	1-Liter-Becher	Turbo	30 – 40 Sek.	300 g
Smoothies/ Milkshakes	1-Liter-Becher	Turbo	30 Sek.	800 ml
<b>Soup XL PRO</b>				
Suppen	4-Liter-Topf	Turbo	25 Sek.	2 Liter
<b>Schneebesen</b>				
Eiweiß	Große Glasschüssel	Turbo	2 – 3 Min.	4 (150 g)
Sahne	Große Glasschüssel	Turbo	2 – 2½ Min.	400 ml
<b>Zerkleinerer</b>				
Fleisch	Zerkleinerer-Schüssel	Turbo	10 – 15 Sek.	250 g
Kräuter	Zerkleinerer-Schüssel	Turbo	5 – 10 Sek.	30 g
Nüsse	Zerkleinerer-Schüssel	Turbo	10 – 15 Sek.	200 g
Brot	Zerkleinerer-Schüssel	Turbo	5 – 10 Sek.	1 Scheibe
Zwiebeln	Zerkleinerer-Schüssel	Puls	–	200 g
Kekse	Zerkleinerer-Schüssel	Turbo	15 Sek.	140 g
Paté	Zerkleinerer-Schüssel	Turbo	5 – 10 Sek.	150 g
Backpflaumen- Marinade 50 g Kleine weiche Dörripflaumen 400 g Flüssiger Honig 35 g Wasser  Die Zutaten in der oben angegebenen Reihenfolge in den Zerkleinerungsbecher geben. Den Deckel aufsetzen und über Nacht in den Kühlschrank stellen.	Zerkleinerer-Schüssel	Turbo	3 Sek.	485 g

\* Diese Angaben dienen lediglich zur Orientierung. Tatsächliche Zeiten sind abhängig vom jeweiligen Rezept und den verarbeiteten Zutaten.

# Empfehlungstabelle

Zutat/ Rezept	Behälter	Geschw.	Verarbeitungs- zeit *	Maximale Höchst- menge
<b>Masher Pro Metall-Stampfer – grobe Stampfscheibe</b>				
<b>Gekochtes Gemüse</b> (Kartoffeln, Kohlrüben, Karotten und Süßkartoffeln)	Großer Topf/ große Schüssel	Minimum	30 – 40 Sek.	600 – 800 g
<b>Masher Pro Metall-Stampfer – feine Stampfscheibe</b>				
Gekochte Kartoffeln	Großer Topf/ große Schüssel	Minimum	30 – 40 Sek.	600 – 800 g
<b>Weichobst</b> Himbeeren Aprikosen	Große Schüssel 1-Liter-Topf	Minimum Minimum	30 – 40 Sek. 30 – 40 Sek.	500 g 400 g (eingeweicht in Wasser)
<b>Aufschäumer/Schaumschläger</b>				
Kalte Milch	1-Liter-Becher	Minimum	15 – 20 Sek.	400 ml
Warme Milch - im Topf bis zum Siedepunkt erhitzt	1-Liter-Becher	Minimum	15 – 20 Sek.	300 ml
(Kalte entrahmte Milch ergibt den besten Schaum)				
Fruchtschaum	1-Liter-Becher	Minimum	30 Sek.	(200 g Frucht- püree + 200 ml Wasser)

## Verwendung des Stabmixers

- Sie können Suppen, Soßen, Milkshakes, Mayonnaise, Babykost usw. zubereiten.

## Mixen im Becher (wenn im Lieferumfang)

- Setzen Sie den Becher auf den Gummisockel ⑨. (Dies verhindert, dass der Becher auf der Arbeitsfläche rutscht.)
- Füllen Sie den Becher maximal  $\frac{3}{4}$  voll.
- Nach dem Mixen können Sie den Deckel ⑦ auf den Becher setzen.

## Hinweis

Wenn zu Ihrem Gerät kein Becher mitgeliefert wurde, wählen Sie einen anderen Behälter von geeigneter Größe. Wir empfehlen einen schmalen Behälter mit senkrechten Seiten, die hoch genug sind, um Spritzer zu verhindern. Der Durchmesser sollte etwas größer sein als der Fuß des Stabmixers, damit das Mischgut sich bewegen kann.

## Mixen im Topf

- Zur sichersten Verwendung wird empfohlen, den Topf von der Kochstelle zu nehmen und heiße Flüssigkeiten vor dem Pürieren auf Raumtemperatur abkühlen zu lassen.
- Verwenden Sie den Soup LX PRO (wenn im Lieferumfang) zum schnellen Pürieren von Suppen usw. direkt im Kochtopf. Andernfalls können Sie den Stabmixer verwenden.
- **Verwenden Sie den Suppenmischer nicht zum Pürieren von rohem Gemüse.**

- 1 Entfernen Sie die Klingendeckung ⑥ oder ⑩ vom Ende des Mixerschafts/Soup XL PRO.
- 2 Führen Sie den Arbeitsgriff in den Mixerschaft ein und drehen Sie ihn im Uhrzeigersinn, bis er einrastet ①.

- 3 Stecken Sie den Stecker in die Steckdose.
  - 4 Geben Sie das Püriergut in den Becher oder einen ähnlichen Behälter. Halten Sie den Becher gut fest:  
Wählen Sie die gewünschte Stufe des Geschwindigkeitsreglers und drücken Sie die EIN/AUS-Taste. Wählen Sie eine niedrige Geschwindigkeit für langsames Pürieren mit weniger Spritzern und eine höhere Geschwindigkeit oder Turbo für schnelleres Pürieren (siehe dazu die Empfehlungstabelle).
- **Um Spritzer zu vermeiden, tauchen Sie das Messer in den Topfinhalt, bevor Sie das Gerät einschalten.**
  - Achten Sie darauf, dass die Flüssigkeit nicht über die Verbindung zwischen Mixstab und Antriebsteil steigt.
  - Ziehen Sie das Messer mit Stampf- oder Rührbewegungen durch den Topfinhalt, um die Mischung durchzupürieren.
  - **Ihr Stabmixer ist nicht zum Zerkleinern von Eis geeignet.**
  - Wenn Ihr Stabmixer verstopft ist, ziehen Sie vor dem Reinigen immer erst den Netzstecker aus der Steckdose.
- 5 Geben Sie am Ende des Püriervorgangs die EIN/AUS- oder Turbo-Taste wieder frei. Ziehen Sie den Netzstecker und drehen Sie den Arbeitsgriff gegen den Uhrzeigersinn, um den Mixerschaft vom Arbeitsgriff zu lösen.

### Ⓑ Verwendung des Schneebesens

- Geeignet zum Schlagen leichter Zutaten wie Eiweiß, Sahne und Dessert-Fertigmischungen.
  - Schlagen Sie keine schwereren Mischungen wie Fett und Zucker, da dies den Schneebesen beschädigen würde.
- 1 Setzen Sie den Schneebesen in die Manschette ein ②.
  - 2 Führen Sie den Arbeitsgriff in die Schneebesenmanschette ein und drehen Sie ihn im Uhrzeigersinn, bis er einrastet.

- 3 Geben Sie Ihre Zutaten in eine Schüssel.
  - 4 Schließen Sie das Gerät an und drücken Sie die EIN/AUS-Taste. Für schnelleres Schlagen wählen Sie eine höhere Geschwindigkeit oder drücken Sie die Turbo-Taste. Bewegen Sie den Schneebesen im Uhrzeigersinn. Wählen Sie zum Reduzieren von Spritzern eine niedrige Geschwindigkeit und drücken Sie dann die EIN/AUS-Taste.
  - Darauf achten, dass die Masse nicht über den Schneebesen hinaus steigt.
- 5 Geben Sie nach Verwendung die EIN/AUS-Taste oder Turbo-Taste frei, ziehen Sie den Netzstecker und nehmen Sie das Gerät wieder auseinander.

### Ⓒ Verwendung des Aufschäumers/ Schaumschlägers (wenn im Lieferumfang)

- Niemals Zutaten hinzugeben, während das Gerät in Betrieb ist.
  - Vorsicht beim Mixen von heißen Flüssigkeiten, niemals mehr als 300 ml im Becher verarbeiten.
  - Nicht mehr als 400 ml kalte Milch im Becher verarbeiten, da sie beim Aufschäumen überlaufen könnte.
- 1 Führen Sie den Schaft des Aufschäumers/Schaumschlägers in den Arbeitsgriff ein. Drehen Sie den Arbeitsgriff im Uhrzeigersinn, bis er einrastet.
  - 2 Beginnen Sie das Mixen bei niedriger Geschwindigkeit und schalten Sie bei Bedarf höher.
- ### Tipps
- **Um Spritzer zu vermeiden, den Aufschäumer/ Schaumschläger vor Einschalten des Geräts in die Zutaten setzen. Stets sicherstellen, dass der untere Teil des Aufschäumers/ Schaumschlägers beim Verarbeiten ganz in die Zutaten eingetaucht ist.**

- Immer zuerst die flüssigen Zutaten hinzufügen.
- Früchte stets vor dem Hinzufügen fein pürieren.
- Sirup oder Pulvermischungen immer kurz vor dem Mischen hinzugeben, damit sie nicht nach unten sinken.
- Für beste Ergebnisse sollten alle flüssigen Zutaten so kalt wie möglich sein.
- Milchgetränke schmecken besser, wenn die Milch eiskalt ist. Je kälter die Milch, desto dickflüssiger und schaumiger das Getränk. Entrahmte Milch erzeugt mehr Schaum als teilentrahmte Milch oder Vollmilch.
- Niemals versuchen, gefrorene Früchte zu mixen oder Eis zu zerkleinern.
- Große Eiscremeklumpen vor dem Schaumigschlagen zerkleinern.

### ① **Verwendung des Zerkleinerers (wenn im Lieferumfang)**


- Sie können das Gerät zum Zerkleinern von Fleisch, Gemüse, Kräutern, Brot, Keksen und Nüssen verwenden.
  - Verarbeiten Sie niemals harte Nahrungsmittel wie Kaffeebohnen, Eiswürfel, Gewürze oder Schokolade – Sie beschädigen dadurch das Messer.
- 1 Entfernen Sie alle Knochen und schneiden Sie Zutaten in 1-2 cm große Würfel.
  - 2 Setzen Sie die Zerkleinerer-Schüssel auf den Gummisockel ⑩. (Dies verhindert, dass die Schüssel auf der Arbeitsfläche rutscht.)
  - 3 Setzen Sie das Schlagmesser auf den Stift in der Schüssel ③.
  - 4 Geben Sie die Zutaten hinzu.
  - 5 Setzen Sie die Abdeckung auf und drehen Sie sie, bis sie einrastet ④.
  - 6 Setzen Sie den Arbeitsgriff auf die Zerkleinerer-Abdeckung und drehen Sie ihn im Uhrzeigersinn, bis er einrastet ⑤.
  - 7 Schließen Sie das Gerät an eine Steckdose an und halten Sie die Schüssel fest. Drücken Sie die Turbo-Taste. Für Impulsbetrieb können Sie die Turbo-Taste auch stoßweise betätigen.

- 8 Ziehen Sie nach der Verwendung den Netzstecker und nehmen Sie das Gerät wieder auseinander.

### ⑤ **masherpro™ Metall-Stampfer (wenn im Lieferumfang)**

#### **Wichtig**

- Verwenden Sie den Stampfer niemals in einem Topf über direkter Hitze. Nehmen Sie den Topf stets von der Kochstelle und lassen Sie ihn ein wenig abkühlen.
  - Klopfen Sie den Stampfer während oder nach dem Stampfen nicht auf der Seite des Topfes ab. Verwenden Sie einen Spatel, um Speisereste abzuschaben.
  - Für die besten Ergebnisse sollte der Topf o.ä. beim Stampfen niemals mehr als halb voll sein.
- 1 Kochen Sie hartes Gemüse und Obst vor dem Stampfen und gießen Sie die Flüssigkeit ab.
  - 2 Befestigen Sie die Manschette am Stampferschaft, indem Sie sie im Uhrzeigersinn drehen ⑥.
  - 3 Bringen Sie entweder die grobe oder die feine Stampfscheibe am Stampferschaft an, indem Sie diese im Uhrzeigersinn drehen, bis sie einrastet. ⑦.
  - 4 Drehen Sie den Stampfer um. Setzen Sie das Paddel auf den Zapfen in der Mitte und drehen Sie es zur Befestigung gegen den Uhrzeigersinn ⑧. **(Ohne angebrachte Manschette lässt sich das Paddel nicht einrasten).**
  - 5 Setzen Sie den Arbeitsgriff auf den Stampfer und drehen Sie ihn im Uhrzeigersinn, bis er einrastet.
  - 6 Schließen Sie das Gerät an eine Steckdose an.
  - 7 Setzen Sie den Stampfer in den Topf oder die Schüssel. Wählen Sie eine niedrige Stufe des Geschwindigkeitsreglers und drücken Sie dann die EIN/AUS-Taste (siehe Empfehlungstabelle).
  - Bewegen Sie den Stampfer auf und ab durch die Zutaten, bis Sie die gewünschte Konsistenz erreicht haben.

- 8 Geben Sie am Ende des Stampfvorgangs die EIN/AUS-Taste wieder frei und ziehen Sie den Netzstecker.
- 9 Drehen Sie den Arbeitsgriff gegen den Uhrzeigersinn und nehmen sie den Stampfer ab.
- 10 Drehen Sie das Paddel im Uhrzeigersinn und nehmen Sie es aus dem Stampfer.
- 11 Drehen Sie die Stampfscheibe gegen den Uhrzeigersinn  und heben Sie sie ab.
- 12 Schrauben Sie die Manschette vom Stampferfuß ab.

### Optionaler Aufsatz (nicht im Lieferumfang)

Minizerkleinerer – siehe Abschnitt „Kundendienst und Service“ für Bestellinformationen.

## Pflege und Reinigung




- Vor der Reinigung Gerät immer ausschalten und Netzstecker ziehen.
- Messer nicht berühren.
- Manche Zutaten wie z.B. Karotten können den Kunststoff verfärben. Das Abreiben mit einem in Pflanzenöl getauchten Tuch kann helfen, um die Verfärbungen zu beseitigen.
- Keine Scheuermittel verwenden.

## Pflege und Reinigung

Teil	Spülmaschinenfest 	Nicht in Wasser tauchen 	Von Hand waschen 	Mit einem feuchten Tuch abwischen 
Arbeitsgriff	x	✓	x	✓
Mixerschaft *	x	✓	x	✓
Soup XL PRO *	x	✓	x	✓
Aufschäumer/ Schaumschläger *	x	✓	x	✓
Becher	✓	x	✓	✓
Becherdeckel	✓	x	✓	✓
Gummisockel für Becher	✓	x	✓	✓
Klingenabdeckung	x	x	✓	✓
Zerkleinerer- Abdeckung	x	✓	x	✓
Zerkleinerer-Schüssel	✓	x	✓	✓
Schlagmesser	✓	x	✓	✓
Deckel für Zerkleinerer-Schüssel	✓	x	✓	✓

\* Falls Wasser in den Schaft dringen sollte, dieses abgießen und vor erneuter Verwendung vollständig trocknen lassen.

## Pflege und Reinigung

Teil	Spülmaschinenfest 	Nicht in Wasser tauchen 	Von Hand waschen 	Mit einem feuchten Tuch abwischen 
Zerkleinerer-Schüssel Gummisockel für Becher	✓	x	✓	✓
Schneebesenmanschette	x	✓	x	✓
Schneebesen	✓	x	✓	✓
Stampferschaft	x	✓	x	✓
Stampferpaddel	✓	x	✓	✓
Stampfermanschette	x	✓	x	✓
Stampfer	✓	x	✓	✓

\* **Falls Wasser in den Schaft dringen sollte, dieses abgießen und vor erneuter Verwendung vollständig trocknen lassen.**

### Stabmixerschaft / Soup XL PRO

- Becher oder ähnlichen Behälter zur Hälfte mit warmem Wasser und Spülmittel füllen. Stecker an die Steckdose anschließen, Stabmixerschaft oder Suppenmixer eintauchen und einschalten.
- Netzstecker ziehen und Schaft abtrocknen.  
Oder
- Das Messer unter laufendem Wasser abwaschen, dann gründlich trocknen.
- **Niemals in Wasser tauchen oder Flüssigkeiten in den Schaft eindringen lassen. Falls doch Wasser eintreten sollte, dieses abgießen und Schaft vor erneuter Verwendung vollständig trocknen lassen.**
- **Nicht für die Geschirrspülmaschine geeignet.**

### Tipp zum Reinigen des Stampferfußes/-schafts und der Stampfscheiben

- Wenn Speisereste am Stampfer festgetrocknet sind, das Paddel abnehmen und Paddel sowie unteres Ende des Stampferfußes/-schafts in warmem Wasser einweichen. Anschließend die Teile gründlich abwaschen.
- **Niemals den Stampferfuß/-schaft in Wasser tauchen oder Flüssigkeit in den Fuß/Schaft eindringen lassen. Falls doch Wasser eintreten sollte, dieses abgießen und Gerät vor der Verwendung vollständig trocknen lassen. Wichtig – Auf keinen Fall die Stampfermanschette nass werden lassen.**



## Kundendienst und Service



- Sollten Sie irgendwelche Probleme mit dem Betrieb Ihres Geräts haben, ziehen Sie bitte den Abschnitt „Fehlerbehebung“ zu Rate oder besuchen Sie [www.kenwoodworld.com](http://www.kenwoodworld.com), bevor Sie Hilfe anfordern.
- Bitte beachten Sie, dass Ihr Produkt durch eine Garantie abgedeckt ist – diese erfüllt alle gesetzlichen Anforderungen hinsichtlich geltender Garantie- und Verbraucherrechte in dem Land, in dem das Produkt gekauft wurde.
- Falls Ihr Kenwood-Produkt nicht ordnungsgemäß funktioniert oder Defekte aufweist, bringen Sie es bitte zu einem autorisierten KENWOOD Servicecenter oder senden Sie es ein. Aktuelle Informationen zu autorisierten KENWOOD Servicecentern in Ihrer Nähe finden Sie bei [www.kenwoodworld.com](http://www.kenwoodworld.com) bzw. auf der Website für Ihr Land.
- Gestaltet und entwickelt von Kenwood GB.
- Hergestellt in China.

### **WICHTIGER HINWEIS FÜR DIE KORREKTE ENTSORGUNG DES PRODUKTS IN ÜBEREINSTIMMUNG MIT DER EG-RICHTLINIE ÜBER ELEKTRO- UND ELEKTRONIK-ALTGERÄTE (WEEE)**

Am Ende seiner Nutzungszeit darf das Produkt NICHT mit dem Hausmüll entsorgt werden. Es muss zu einer örtlichen Sammelstelle für Sondermüll oder zu einem Fachhändler gebracht werden, der einen Rücknahmeservice anbietet. Die getrennte Entsorgung eines Haushaltsgeräts vermeidet mögliche negative Auswirkungen auf die Umwelt und die menschliche Gesundheit, die durch eine nicht vorschriftsmäßige Entsorgung bedingt sind. Zudem ermöglicht dies die Wiederverwertung der Materialien, aus denen das Gerät hergestellt wurde, was erhebliche Einsparungen an Energie und Rohstoffen mit sich bringt. Zur Erinnerung an die korrekte getrennte Entsorgung von Haushaltsgeräten ist das Gerät mit dem Symbol einer durchgestrichenen Mülltonne gekennzeichnet.

## Fehlerbehebung

<b>Problem</b>	<b>Ursache</b>	<b>Lösung</b>
Der Stabmixer funktioniert nicht.	Kein Strom.  Stabmixer nicht korrekt zusammengesetzt.	Prüfen, ob der Stecker des Stabmixers in der Steckdose steckt.  Prüfen, ob Aufsätze fest im Arbeitsgriff eingerastet sind.
Stabmixer läuft zu langsam an oder verarbeitet nicht kräftig genug.	Ausgewählte Geschwindigkeit zu niedrig.  Empfohlene Betriebszeit überschritten.	Geschwindigkeit erhöhen.  Den Stabmixer bei schweren Mischungen nicht länger als 50 Sekunden pro 4-Minuten-Zeitraum laufen lassen und den Schneebesens oder Aufschäumer/ Schaumschläger nicht länger als 3 Minuten pro 10-Minuten-Zeitraum.
Große Spritzer beim Verarbeiten.	Ausgewählte Geschwindigkeit zu hoch.  Behälter, Schüssel oder Topf zu flach oder zu klein für die zu verarbeitenden Zutaten.	Zunächst eine niedrige Geschwindigkeit wählen und dann erhöhen, sobald die Mischung dicker wird.  Einen Behälter von angemessener Größe wählen. Klingen vor dem Einschalten in das Mischgut setzen.
Stampferpaddel lässt sich nicht vom Stampfer trennen.	Stampfermanschette nicht mit Stampferschaft verbunden.	Sicherstellen, dass Stampfermanschette mit Stampferschaft verbunden ist.
Arbeitsgriff wird bei Betrieb heiß.	Das Gerät wurde über einen längeren Zeitraum hinweg benutzt.	Das Gerät vor erneutem Gebrauch abkühlen lassen.
Der Zutaten werden nicht gemischt.	Möglicherweise unangemessene Geschwindigkeit für das Mischgut gewählt.	Geschwindigkeit allmählich erhöhen und mixen, bis das gewünschte Ergebnis erzielt wird.

# Italiano

**Prima di leggere questo manuale si prega di aprire la prima pagina, al cui interno troverete le illustrazioni**

## sicurezza

- Leggere attentamente le presenti istruzioni e conservarle come futuro riferimento.
- Rimuovere la confezione e le etichette.
- Se la spina o il cavo sono danneggiati, per motivi di sicurezza, devono essere sostituiti da Kenwood o da un riparatore autorizzato da Kenwood per evitare pericoli.
- Non toccare le lame dopo aver inserito la spina dell'apparecchio nella presa di corrente.
- Tenere dita, capelli, indumenti ed utensili lontano dai componenti mentre sono in movimento.
- Togliere la spina dell'apparecchio dalla presa di corrente dopo l'uso e prima di sostituire gli accessori.
- Non frullare mai olio o grasso bollente.
- Per la massima sicurezza nell'uso si consiglia di lasciare raffreddare a temperatura ambiente i liquidi molto caldi prima di frullarli.
- Non usare l'apparecchio se appare danneggiato. Farlo controllare o riparare da personale apposito - vedere alla voce 'manutenzione e assistenza tecnica'.
- Non immergere mai in acqua il manico dell'apparecchio e non lasciare che il cavo o la spina elettrica si bagnino - sussiste il rischio di scossa elettrica.
- Non lasciare mai che il cavo dell'apparecchio venga a contatto con superfici molto calde o penda in un luogo dove potrebbe essere afferrato da un bambino.

- Non usare mai un accessorio non autorizzato.
- Disinserire sempre la spina del frullatore ad immersione dalla presa elettrica prima di lasciarlo incustodito e prima di montarlo, di smontarlo o di pulirlo.
- Gli apparecchi possono essere utilizzati da persone con ridotte capacità psicofisico-sensoriali, o con esperienza e conoscenze insufficienti solo nel caso in cui siano state attentamente sorvegliate e istruite da un responsabile su come utilizzare un apparecchio in modo sicuro e siano consapevoli dei pericoli.
- Un utilizzo scorretto dell'apparecchio può provocare serie lesioni fisiche.
- Questo apparecchio non dev'essere utilizzato dai bambini. Tenere apparecchio e cavo lontani dalla portata dei bambini.
- Sorvegliare i bambini, assicurandosi che non giochino con l'apparecchio.
- Utilizzare l'apparecchio solo per l'uso domestico per cui è stato realizzato. Kenwood non si assumerà alcuna responsabilità se l'apparecchio viene utilizzato in modo improprio o senza seguire le presenti istruzioni.
- La potenza nominale si basa sull'accessorio di taglio. Altri accessori potrebbero assorbire meno energia.

### **importante**

- Nel caso di miscele molto consistenti, per garantire la lunga durata dell'apparecchio non usare il frullatore manuale per più di 50 secondi in un lasso di tempo di quattro minuti.

- Non usare la frusta o l'accessorio per la schiuma per più di 3 minuti in un lasso di tempo di 10 minuti.

## **accessorio tritatutto**

- Non toccare le lame affilate.
- Togliere la lama del tritatutto prima di svuotare il recipiente.
- Non rimuovere mai il coperchio prima che la lama del tritatutto si sia completamente fermata.
- Tenere sempre la lama del tritatutto dalla presa per le dita, lontano dal filo della lama, sia durante la manipolazione che durante la pulizia.

### **prima di collegare l'apparecchio alla rete elettrica**

- Accertarsi che la tensione della vostra rete sia la stessa di quella indicata sulla base del frullatore a immersione.
- Questo apparecchio è conforme al regolamento (CE) No. 1935/2004 sui materiali e articoli in contatto con alimenti.

### **prima dell'uso**

- Gettare via il coprilama dalla lama del tritatutto., poiché serve a proteggere la lama solo durante la produzione e il trasporto. Occorre fare attenzione perché le lame sono molto affilate.
- Lavare i componenti: vedere la sezione 'cura e pulizia'.

## **legenda**

### **frullatore a immersione**

- ① controllo regolabile della velocità
- ② pulsante di accensione
- ③ pulsante Turbo
- ④ manico
- ⑤ corpo del frullatore con triblade fissa
- ⑥ protezione della lama

### **recipiente (se in dotazione)**

- ⑦ coperchio del recipiente
- ⑧ recipiente
- ⑨ base ad anello in gomma

### **A SOUP XL PRO (se in dotazione)**

- ⑩ soup XL PRO
- ⑪ protezione della lama

### **B frusta (se in dotazione)**

- ⑫ ghiera della frusta
- ⑬ frusta a filo

### **C accessorio per la schiuma (se in dotazione)**

- ⑭ accessorio per la schiuma

### **D tritatutto (se in dotazione)**

- ⑮ coperchio del tritatutto
- ⑯ presa per le dita
- ⑰ lama del tritatutto
- ⑱ ciotola
- ⑲ base ad anello in gomma
- ⑳ coperchio della ciotola

### **E Masherpro™ in metallo (se in dotazione)**

- ㉑ ghiera dello schiacciaverdure
- ㉒ corpo dello schiacciaverdure
- ㉓ crivello fine
- ㉔ crivello grossolano
- ㉕ pala dello schiacciaverdure

## tabella per l'uso consigliato

<b>Ingrediente/ ricetta</b>	<b>Contenitore</b>	<b>Velocità</b>	<b>Tempo di lavorazione *</b>	<b>Capacità massima</b>
<b>Frullatore a immersione</b>				
Minestre	Pentola da 2 litri	Turbo	25 sec	1 litro
Maionese	Recipiente da 1 litro	Turbo	45-60 sec	4 uova 600 ml d'olio
Omogeneizzati	Recipiente da 1 litro	Turbo	30-40 sec	300 g
Smoothie/ Frullati	Recipiente da 1 litro	Turbo	30 sec	800 ml
<b>Soup XL PRO</b>				
Minestre	Pentola da 4 litri	Turbo	25 sec	2 litri
<b>Frusta</b>				
Albumi	Ciotola grande in vetro	Turbo	2-3 min	4 (150 g)
Panna	Ciotola grande in vetro	Turbo	2-2 ½ min	400 ml
<b>Accessori del tritatutto</b>				
Carne	Ciotola del tritatutto	Turbo	10-15 sec	250 g
Erbe	Ciotola del tritatutto	Turbo	5-10 sec	30 g
Frutta secca	Ciotola del tritatutto	Turbo	10-15 sec	200 g
Pane	Ciotola del tritatutto	Turbo	5-10 sec	1 fetta
Cipolle	Ciotola del tritatutto	Pulse	–	200 g
Biscotti	Ciotola del tritatutto	Turbo	15 sec	140 g
Paté	Ciotola del tritatutto	Turbo	5-10 sec	150 g
Confettura di prugne 50 g Piccole prugne molli 400 g Miele liquido 35 g Acqua  Aggiungere gli ingredienti nella ciotola del tritatutto nell'ordine indicato sopra. Montare il coperchio e conservare in frigorifero per una notte.	Ciotola del tritatutto	Turbo	3 sec	485 g
<b>Metal Masher Pro - crivello grossolano</b>				
<b>Verdure cotte</b> (patate, rape, carote e patate dolci)	Pentola grande/ Ciotola grande	minima	30-40 sec	600-800 g

\* Questa tabella è da considerarsi solo un riferimento, quantità e tempi di lavorazione variano a seconda della ricetta e degli ingredienti utilizzati.

tabella per l'uso consigliato				
<b>Ingrediente/ ricetta</b>	<b>Contenitore</b>	<b>Velocità</b>	<b>Tempo di lavorazione *</b>	<b>Capacità massima</b>
<b>Metal Masher Pro - crivello fine</b>				
Patate bollite	Pentola grande/ Ciotola grande	minima	30-40 sec	600-800 g
<b>Frutta morbida</b> Lamponi, albicocche	Ciotola grande Pentola da 1 litro	minima minima	30-40 sec 30-40 sec	500 g 400 g (ammorbidite in acqua)
<b>Accessorio per la schiuma</b>				
Latte freddo	Recipiente da 1 litro	minima	15-20 sec	400 ml
Latte caldo, riscaldato in un pentolino fino a bollitura	Recipiente da 1 litro	minima	15-20 sec	300 ml
(Per risultati ottimali, usare latte scremato freddo)				
Schiuma alla frutta	Recipiente da 1 litro	minima	30 sec	(200 g di purea di frutta + 200 ml d'acqua)

\* Questa tabella è da considerarsi solo un riferimento, quantità e tempi di lavorazione variano a seconda della ricetta e degli ingredienti utilizzati.

### **come usare il frullatore a immersione**

- Potete lavorare minestre, salse, frullati, maionese e omogeneizzati, ecc.

### **per frullare nel recipiente (se il recipiente viene fornito)**

- Montare la base ad anello di gomma ⑨ sul fondo del recipiente. (Così facendo, il recipiente non scivolerà sul piano di lavoro.)
- Non riempire di più di  $\frac{2}{3}$  il recipiente.
- Dopo aver frullato, si può riporre il coperchio ⑦. In cima al recipiente.

### **NB:**

Se la confezione non contiene un recipiente, scegliere un contenitore di dimensioni idonee. Si consiglia di selezionare un recipiente alto e dritto, di diametro leggermente superiore rispetto alla base del frullatore manuale, per consentire agli ingredienti di venire frullati al suo interno, ma senza fuoriuscire.

### **per frullare a immersione nella pentola**

- Per la massima sicurezza durante l'uso, si consiglia di togliere la pentola dal fornello e di lasciare raffreddare a temperatura ambiente i liquidi molto caldi prima di frullarli.
- Utilizzare il soup XL PRO (se in dotazione) per lavorare velocemente minestre ecc. direttamente nella pentola. In alternativa, è possibile utilizzare il frullatore a immersione.
- **Non usare il frullatore per minestre per frullare verdura cruda.**

- 1 Rimuovere la protezione della lama ⑥ o ⑩ dall'estremità del frullatore o del soup XL PRO.
- 2 Fissare il frullatore al manico ① e ruotare in senso orario per bloccarlo in posizione.
- 3 Inserire la spina nella presa di corrente.
- 4 Versare gli alimenti nel recipiente o in un contenitore simile, poi, tenendo fermo il recipiente:

Selezionare la velocità desiderata usando il controllo regolabile della velocità e premere il pulsante di accensione.

Selezionare una velocità bassa per lavorare più lentamente gli ingredienti e ridurre al minimo gli spruzzi e una velocità più alta o l'impostazione Turbo per una lavorazione più veloce. (Fare riferimento alla tabella per l'uso consigliato.)

● **Per evitare spruzzi, immergere la lama negli ingredienti da frullare prima di accendere l'apparecchio.**

- Non lasciare che il liquido superi la linea di unione fra il manico e l'alberino del frullatore.
- Muovere la lama tenendola sempre immersa. Per amalgamare gli ingredienti, mescolarli o schiacciarli usando il frullatore.

● **Il frullatore a immersione non è idoneo per tritare il ghiaccio.**

- Se il frullatore si blocca, prima di pulirlo staccare la spina dalla presa di corrente.

- 5 Dopo l'uso, rilasciare il pulsante di accensione o il pulsante Turbo, estrarre la spina dalla presa di corrente e ruotare il manico in senso antiorario per rimuoverlo dal frullatore.

ⓑ **come usare la frusta**

- È possibile montare ingredienti leggeri, come albumi d'uovo, panna e dessert istantanei.
  - Non montare miscele più consistenti, ad esempio margarina e zucchero, altrimenti si rischia di danneggiare la frusta.
- 1 Spingere la frusta metallica per inserirlo nella ghiera ②.
  - 2 Inserire il manico nella ghiera della frusta e ruotare in senso orario per bloccare in posizione.
  - 3 Versare gli alimenti in una vaschetta.

- 4 Inserire la spina nella presa di corrente e premere il pulsante di accensione. Per usare la frusta a velocità più alta, selezionare la velocità desiderata oppure premere il pulsante Turbo. Muovere la frusta in senso orario. Per ridurre il rischio di fuoriuscite, selezionare una velocità bassa, poi premere il pulsante di accensione.

- Non lasciare che il liquido oltrepassi i bracci metallici della frusta.

- 5 Dopo l'uso, rilasciare il pulsante di accensione o il pulsante turbo, togliere la spina dell'apparecchio dalla presa di corrente e smontarlo.

ⓒ **come usare l'accessorio per la schiuma (se in dotazione)**

- Non aggiungere ingredienti mentre l'apparecchio è in funzione.
- Fare attenzione quando si lavorano liquidi caldi, mai versare più di 300 ml di liquido nel recipiente.
- Non montare nel recipiente più di 400 ml di latte freddo, altrimenti si rischiano fuoriuscite quando il liquido inizia ad addensarsi e fare schiuma.

- 1 Montare l'accessorio per la schiuma nel manico e ruotare in senso orario per bloccare in posizione.
- 2 Iniziare la lavorazione a velocità bassa, poi aumentarla gradualmente se necessario.

**suggerimenti**

- **Per evitare fuoriuscite, immergere l'accessorio per la schiuma negli ingredienti prima di accenderlo. Assicurarsi che l'estremità dell'accessorio sia sempre completamente immersa negli ingredienti durante la lavorazione.**
- Aggiungere sempre per primi gli ingredienti liquidi.
- Schiacciare la frutta fino a ottenere una purea prima di versarla nel recipiente.




- Se si utilizzano sciroppi e miscele in polvere, si consiglia di versarle nel recipiente subito prima di iniziare la lavorazione per evitare che si concentrino sul fondo.
- Per ottenere risultati ottimali, usare ingredienti liquidi alla temperatura più bassa possibile.
- Le bevande a base di latte riusciranno più gustose se si utilizza latte ghiacciato. Più il latte è freddo e più denso e schiumoso sarà il risultato. Per ottenere bevande particolarmente schiumose, utilizzare latte completamente scremato.
- Mai lavorare frutta surgelata o ghiaccio tritato.
- Prima di iniziare la lavorazione, assicurarsi che non ci siano grossi grumi di gelato.

### ① **come usare il tritatutto (se in dotazione)**

- È possibile tritare carne, verdure, erbe, pane, biscotti, noci e noccioline.
  - Non tritare ingredienti duri, come chicchi di caffè, cubetti di ghiaccio, spezie o cioccolato, altrimenti la lama verrà danneggiata.
- 1 Eliminare gli eventuali ossicini e tagliare gli ingredienti a dadini di 1-2 cm.
  - 2 Montare la base ad anello di gomma ⑱ sul fondo della ciotola del tritatutto. (Così facendo, la ciotola non scivolerà sul piano di lavoro).
  - 3 Inserire la lama del tritatutto sul perno all'interno del recipiente ③.
  - 4 Aggiungere gli ingredienti.
  - 5 Mettere il coperchio sul tritatutto, ruotare e bloccare in posizione ④.
  - 6 Inserire il manico sul coperchio del tritatutto ⑤, poi ruotare in senso orario per bloccarlo in posizione.
  - 7 Inserire la spina nella presa di corrente e tenere ben fermo il recipiente. Ora premere il pulsante Turbo. In alternativa, premere il pulsante Turbo in modo intermittente, per un funzionamento a impulsi.
  - 8 Dopo l'uso, estrarre la spina dalla presa di corrente e smontare.

### ② **Masherpro™ in metallo (se in dotazione) importante**

- Non usare mai lo schiacciaverdure in una pentola senza prima toglierla dal fornello. Togliere sempre la pentola dal fornello e lasciare che si raffreddi leggermente.
  - Non picchiettare lo schiacciaverdure sui lati della pentola, durante o dopo la lavorazione. Usare una spatola per asportare gli ingredienti in eccesso.
  - Per ottenere i migliori risultati con lo schiacciaverdure, non riempire mai la pentola oltre la metà.
- 1 Cuocere la verdura e la frutta dura e scolarla prima di schiacciarla.
  - 2 Inserire la ghiera dello schiacciaverdure sul corpo dello schiacciaverdure, ruotandola in senso orario per fissarla in posizione ⑥.
  - 3 Montare il crivello grossolano o quello fine sul corpo dello schiacciaverdure e ruotare in senso orario per fissarlo ⑦.
  - 4 Capovolgere lo schiacciaverdure e inserire la pala sull'attacco centrale, quindi ruotarla in senso antiorario per fissarla in posizione ⑧. **(Se la ghiera non viene inserita, non è possibile fissare in posizione la pala).**
  - 5 Inserire il manico sullo schiacciaverdure, poi ruotare in senso orario per bloccarlo in posizione.
  - 6 Inserire la spina nella presa di corrente.
  - 7 Mettere lo schiacciaverdure nella pentola o nella ciotola ecc. Selezionare una velocità bassa sul controllo regolabile della velocità, poi premere il pulsante di accensione. (Fare riferimento alla tabella per l'uso consigliato).
  - Sollevare e abbassare ripetutamente lo schiacciaverdure fino a ottenere la consistenza desiderata.

- 8 Dopo l'uso, rilasciare il pulsante di accensione e togliere la spina dell'apparecchio dalla presa di corrente.
- 9 Ruotare il manico in senso antiorario per rimuovere lo schiacciaverdure.
- 10 Togliere la pala dallo schiacciaverdure ruotandola in senso orario.
- 11 Rimuovere il crivello ruotando in senso antiorario  e poi sollevare.
- 12 Svitare la ghiera dal corpo dello schiacciaverdure.

### accessori opzionali (non in dotazione)

Mini tritatutto – fare riferimento alla sezione “manutenzione e assistenza tecnica” per ordinare.

## guida alla cura e pulizia





## cura e pulizia

- Spegnerne sempre l'apparecchio e togliere la spina dalla presa di corrente prima di pulirlo.
- Non toccare le lame, poiché sono molto taglienti.
- Alcuni tipi di alimenti, per esempio le carote, possono causare lo scolorimento della plastica. Per togliere le macchie dovute a scolorimento può essere utile strofinare le parti interessate con un panno imbevuto di olio vegetale.
- Non utilizzare detergenti abrasivi.

Pezzo	Lavabile in lavastoviglie 	Non immergere in acqua 	Lavare a mano 	Pulire con un panno umido
Manico	x	✓	x	✓
Alberino del frullatore *	x	✓	x	✓
Soup XL PRO *	x	✓	x	✓
Accessorio per la schiuma *	x	✓	x	✓
Recipiente	✓	x	✓	✓
Coperchio del recipiente	✓	x	✓	✓
Base ad anello in gomma del recipiente	✓	x	✓	✓
Protezione della lama	x	x	✓	✓
Protezione del tritatutto	x	✓	x	✓
Ciotola del tritatutto	✓	x	✓	✓
Lama del tritatutto	✓	x	✓	✓
Coperchio della ciotola del tritatutto	✓	x	✓	✓
Base ad anello in gomma della ciotola del tritatutto	✓	x	✓	✓

\* **Se dovesse entrare acqua nell'apparecchio, toglierla e lasciare asciugare prima dell'uso.**

## guida alla cura e pulizia

<b>Pezzo</b>	<b>Lavabile in lavastoviglie</b> 	<b>Non immergere in acqua</b> 	<b>Lavare a mano</b> 	<b>Pulire con un panno umido</b> 
Ghiera della frusta	x	✓	x	✓
Frusta	✓	x	✓	✓
Corpo dello schiacciaverdure	x	✓	x	✓
Pala dello schiacciaverdure	✓	x	✓	✓
Ghiera dello schiacciaverdure	x	✓	x	✓
Schiacciaverdure	✓	x	✓	✓

\* **Se dovesse entrare acqua nell'apparecchio, toglierla e lasciare asciugare prima dell'uso.**

### **Frullatore a immersione/ soup XL PRO**

- Riempire parzialmente il bicchiere o un contenitore simile di acqua e sapone. Attaccare la spina alla presa elettrica, poi inserire l'albero del frullatore manuale o del frullatore per minestre e accendere.
- Estrarre la spina dalla presa di corrente, poi asciugare. oppure
- Lavare le lame sotto il getto dell'acqua del rubinetto, poi asciugarle a fondo.
- **Non immergere mai in acqua né lasciare che dei liquidi entrino nell'alberino. Se dovesse entrare acqua nell'apparecchio, toglierla e lasciare asciugare prima dell'uso.**
- **Non lavare in lavastoviglie. consiglio per la pulizia di manico/pala e crivelli**
- Se si sono lasciati seccare alimenti sullo schiacciaverdure, rimuovere la pala. Inumidire la pala e il manico dello schiacciaverdure con acqua calda per ammorbidire, poi risciacquare abbondantemente.

- **Non immergere mai il manico dello schiacciaverdure in acqua, né lasciare entrare dei liquidi. Se dovesse entrare acqua nell'apparecchio, toglierla e lasciare asciugare prima dell'uso. importante** – non lasciare che la ghiera dello schiacciaverdure si bagni.

## manutenzione e assistenza tecnica

- In caso di qualsiasi problema relativo al funzionamento dell'apparecchio, prima di contattare il servizio assistenza si consiglia di consultare la sezione "guida alla risoluzione problemi", o di visitare il sito [www.kenwoodworld.com](http://www.kenwoodworld.com).
- NB L'apparecchio è coperto da garanzia, nel rispetto di tutte le disposizioni di legge relative a garanzie preesistenti e ai diritti dei consumatori vigenti nel Paese ove l'apparecchio è stato acquistato.

- In caso di guasto o cattivo funzionamento di un apparecchio Kenwood, si prega di inviare o consegnare di persona l'apparecchio a uno dei centri assistenza KENWOOD. Per individuare il centro assistenza KENWOOD più vicino, visitare il sito [www.kenwoodworld.com](http://www.kenwoodworld.com) o il sito specifico del Paese di residenza.
- Disegnato e progettato da Kenwood nel Regno Unito.
- Prodotto in Cina.



**IMPORTANTI AVVERTENZE PER IL CORRETTO SMALTIMENTO DEL PRODOTTO AI SENSI DELLA DIRETTIVA EUROPEA SUI RIFIUTI DI APPARECCHIATURE ELETTRICHE ED ELETTRONICHE (RAEE)**

Alla fine della sua vita utile il prodotto non deve essere smaltito insieme ai rifiuti urbani.

Deve essere consegnato presso gli appositi centri di raccolta differenziata predisposti dalle amministrazioni comunali, oppure presso i rivenditori che offrono questo servizio.

Smaltire separatamente un elettrodomestico consente di evitare possibili conseguenze negative per l'ambiente e per la salute derivanti da un suo smaltimento inadeguato e permette di recuperare i materiali di cui è composto al fine di ottenere notevoli risparmi in termini di energia e di risorse.

Per rimarcare l'obbligo di smaltire separatamente gli elettrodomestici, sul prodotto è riportato il simbolo del bidone a rotelle barrato.

## guida alla risoluzione problemi

<b>Problema</b>	<b>Causa</b>	<b>Soluzione</b>
Il frullatore a immersione non funziona	<p>Non c'è corrente</p> <p>Il frullatore a immersione non è stato montato correttamente</p>	<p>Controllare che la spina del frullatore a immersione sia inserita nella presa di corrente.</p> <p>Controllare che gli accessori siano stati correttamente montati sul manico.</p>
Il frullatore a immersione si avvia troppo lentamente o fatica a lavorare gli ingredienti.	<p>La velocità selezionata è troppo bassa.</p> <p>Si è superato il tempo massimo di lavorazione consigliato.</p>	<p>Aumentare la velocità.</p> <p>Non utilizzare il frullatore a immersione per più di 50 secondi in un lasso di tempo di 4 minuti se si lavorano miscele dense. Non utilizzare la frusta e l'accessorio per la schiuma per più di 3 minuti in un lasso di tempo di 10 minuti.</p>
Eccesso di spruzzi durante la lavorazione	<p>La velocità selezionata è troppo alta.</p> <p>Il contenitore, la ciotola o la pentola che si sta usando sono troppo poco profondi o troppo piccoli per la quantità di ingredienti da lavorare.</p>	<p>Selezionare inizialmente una velocità più bassa e aumentarla gradualmente man mano che la miscela si addensa.</p> <p>Utilizzare un recipiente della misura adatta. Immergere le lame negli ingredienti prima di accendere l'apparecchio.</p>
Impossibile rimuovere la pala dello schiacciaverdure dal corpo dello schiacciaverdure	La ghiera dello schiacciaverdure non è stata montata.	Verificare di aver montato la ghiera dello schiacciaverdure.
Il manico si surriscalda durante la lavorazione.	L'apparecchio è stato utilizzato per un periodo di tempo eccessivo.	Lasciar raffreddare completamente l'apparecchio prima di utilizzarlo nuovamente.
Gli ingredienti non vengono mescolati.	La velocità selezionata non è adatta per lavorare gli ingredienti utilizzati.	Aumentare gradualmente la velocità e lavorare la miscela fino a raggiungere il risultato desiderato.

# Português

Antes de ler, por favor desdobre a primeira página, que contém as ilustrações

## segurança

- Leia atentamente estas instruções e guarde-as para consulta futura.
- Retire todas as embalagens e eventuais etiquetas.
- Se a ficha ou o cabo eléctrico estiver danificado, por razões de segurança deve ser substituído pela Kenwood ou por um reparador Kenwood autorizado para evitar qualquer perigo.
- Nunca toque nas lâminas enquanto a máquina estiver ligada.
- Conserve os dedos, o cabelo, o vestuário e os utensílios afastados das peças em movimento.
- Desligue a ficha da tomada após a utilização e antes de trocar os acessórios.
- Nunca misture óleo ou gordura quente.
- Para uma utilização mais segura recomenda-se que deixe arrefecer até à temperatura ambiente os líquidos quentes antes de misturar.
- Nunca utilize a varinha mágica se estiver danificada. Mande-a inspeccionar ou reparar: consulte “assistência e cuidados do cliente”.
- Nunca mergulhe o corpo em água nem deixe que o cabo ou a ficha se molhem, caso contrário poderá apanhar um choque eléctrico.
- Nunca permita que o cabo toque em superfícies quentes ou fique num local onde uma criança o possa agarrar.
- Nunca utilize um acessório não autorizado.
- Retire o aparelho da tomada de corrente eléctrica sempre que não estiver a vigiá-lo e

antes de colocar ou retirar os acessórios ou limpar.

- Os electrodomésticos podem ser utilizados por pessoas com capacidades mentais, sensoriais ou físicas reduzidas, ou com falta de experiência ou conhecimento, se forem supervisionadas ou instruídas sobre o uso do electrodoméstico de forma segura e se compreenderem os riscos envolvidos.
- O uso inapropriado do seu electrodoméstico pode resultar em ferimentos.
- Este electrodoméstico não pode ser usado por crianças. Mantenha o electrodoméstico e o respectivo fio eléctrico fora do alcance de crianças.
- As crianças devem ser vigiadas para garantir que não brincam com o electrodoméstico.
- Use o aparelho apenas para o fim doméstico a que se destina. A Kenwood não se responsabiliza caso o aparelho seja utilizado de forma inadequada, ou caso estas instruções não sejam respeitadas.
- A potência nominal baseia-se no acessório de picar. Outros acessórios podem consumir menos energia.

### **importante**

- Para assegurar uma longa vida da sua máquina, com misturas pesadas não utilize a sua varinha mágica por mais de 50 segundos nos períodos de quatro minutos.
- Não utilize o acessório batedor de arames ou o emulsionador/espumador por mais

de 3 minutos em cada período de 10 minutos.

## **acessório de picar**

- Não toque nas lâminas afiadas.
- Remova a lâmina picadora antes de esvaziar a taça.
- Nunca retire a tampa enquanto a lâmina picadora não estiver completamente parada.
- Segure sempre a lâmina picadora pela pega, afastando-se das lâminas, quer quando manusear quer quando limpar.

### **antes de ligar à corrente**

- Certifique-se de que a corrente eléctrica tem a potência apresentada na varinha mágica.
- Este aparelho está conforme com a Directiva n.º 1935/2004 da Comunidade Europeia sobre materiais concebidos para estarem em contacto com alimentos.

### **antes de utilizar pela primeira vez**

- Deite fora a tampa de protecção da unidade de lâmina uma vez que serve apenas para protecção da lâmina durante o fabrico e o transporte. Tenha cuidado porque as lâminas estão muito afiadas.
- Lavar as peças: consulte “cuidado e limpeza”.

## chave

### **varinha mágica**

- ① controlo de velocidade variável
- ② botão ON
- ③ botão turbo
- ④ pega motriz
- ⑤ acessório da varinha mágica com lâmina fixa triblade
- ⑥ protecção da lâmina

### **copo (se fornecido)**

- ⑦ tampa do copo
- ⑧ copo
- ⑨ anel de borracha da base

### **Ⓐ SOUP XL PRO (se fornecido)**

- ⑩ soup XL PRO
- ⑪ protecção da lâmina

### **Ⓑ batedor de arames (se fornecido)**

- ⑫ bainha do batedor
- ⑬ batedor de arames

### **Ⓒ utensílio emulsionador/espumador**

- ⑭ utensílio emulsionador/espumador

### **Ⓓ picadora (se fornecido)**

- ⑮ tampa da picadora
- ⑯ pega
- ⑰ lâmina picadora
- ⑱ taça
- ⑲ anel de borracha da base
- ⑳ tampa da taça

### **Ⓔ Esmagador em Metal masherpro™ (se fornecido)**

- ㉑ bainha do esmagador
- ㉒ eixo do esmagador
- ㉓ filtro fino
- ㉔ filtro grosso
- ㉕ pá do esmagador



## quadro de utilização recomendada

<b>Ingrediente/ receita</b>	<b>Recipiente</b>	<b>Velocidade</b>	<b>Tempo de processamento *</b>	<b>Capacida de Máx.</b>
<b>Varinha mágica</b>				
Sopas	Panela para 2 litros	Turbo	25 seg.	1 litro
Maionese	Copo para 1 litro	Turbo	45-60 seg.	4 Ovos 600ml Óleo
Comida para bebé	Copo para 1 litro	Turbo	30-40 seg.	300g
Smoothies/ Batidos de leite	Copo para 1 litro	Turbo	30 seg.	800ml
<b>Soup XL PRO</b>				
Sopas	Panela para 4 litros	Turbo	25 seg.	2 litros
<b>Batedor de varetas</b>				
Claras de ovos	Taça de vidro grande	Turbo	2-3 min.	4 (150g)
Natas	Taça de vidro grande	Turbo	2-2 ½ min.	400 ml
<b>Acessório de picar</b>				
Carne	Taça da picadora	Turbo	10-15 seg.	250g
Ervas	Taça da picadora	Turbo	5-10 seg.	30g
Nozes	Taça da picadora	Turbo	10-15 seg.	200g
Pão	Taça da picadora	Turbo	5-10 seg.	1 fatia
Cebolas	Taça da picadora	Impulso	–	200g
Biscoitos	Taça da picadora	Turbo	15 seg.	140g
Patê	Taça da picadora	Turbo	10-15 seg.	150g
Marinada de ameixas 50g Ameixas Pequenas Macias 400g Mel Líquido 35g Água  Coloque os ingredientes na taça da picadora pela ordem acima descrita. Coloque a tampa e no frigorífico de um dia para o outro.	Taça da picadora	Turbo	3 seg.	485g
<b>Esmagador em Metal Masher Pro – Filtro Grosso</b>				
<b>Vegetais cozinhados</b> (batatas, nabos, cenouras e inhames)	Panela grande/ Taça Grande	mínimo	30-40 seg.	600-800g

\* Estes servem apenas como guia e poderão variar de acordo com a receita e os ingredientes utilizados.

## quadro de utilização recomendada

<b>Ingrediente/ receita</b>	<b>Recipiente</b>	<b>Velocidade</b>	<b>Tempo de processamento</b> *	<b>Capacida de Máx.</b>
<b>Esmagador em Metal Masher Pro - Filtro Fino</b>				
Batatas cozinhadas	Panela grande/ Taça Grande	mínimo	30-40 seg.	600-800g
<b>Frutos Macios</b>	Taça Grande	mínimo	30-40 seg.	500g
Framboesas	Panela para 1 litro	mínimo	30-40 seg.	400g
Damascos				(amolecidos em água)
<b>Utensílio Emulsionador/Espumador</b>				
Leite Frio	Copo para 1 litro	mínimo	15-20 seg.	400ml
Leite Quente - aquecido na panela até ferver	Copo para 1 litro	mínimo	15-20 seg.	300ml
(Leite magro frio é melhor para emulsionar)				
Espuma à base de frutos	Copo para 1 litro	mínimo	30 seg.	(200g de Puré de Frutos + 200ml de água)

\* Estes servem apenas como guia e poderão variar de acordo com a receita e os ingredientes utilizados.

### para usar a varinha mágica

- Pode passar sopas, molhos, batidos de leite, maionese, comida de bebé, etc.

### para misturas no copo (se o copo for fornecido)

- Encaixe o anel de borracha da base ⑨ no fundo do copo. (Isto evita que o copo escorregue na mesa de trabalho).
- Não encha o copo mais de dois terços (⅔).
- Depois de misturar pode colocar a tampa ⑦ no copo.

### Nota

Se na sua embalagem não vier o copo, escolha um recipiente que se adapte em tamanho. Recomendaríamos um recipiente alto e estreito com um diâmetro ligeiramente mais largo do que a base da carinha mágica, para permitir o movimento dos ingredientes e alto para evitar que verta ou salpique.

### para usar a varinha mágica na panela

- Para uma utilização mais segura recomenda-se que retire a panela do fogão e deixe arrefecer até à temperatura ambiente os líquidos quentes antes de passar.
- Utilize o soup XL PRO (se fornecido) para passar rapidamente sopas, etc., directamente na panela. Em alternativa pode utilizar a varinha mágica.
- **Não utilize o passador de sopas para processar vegetais crus.**

- 1 Remova a protecção da lâmina ⑥ ou ⑩ que cobrem as lâminas da soup XL PRO.
- 2 Introduza a pega motriz no eixo da varinha mágica ① e rode no sentido dos ponteiros do relógio para prender.
- 3 Ligue à corrente.
- 4 Coloque os alimentos no copo ou num recipiente similar, depois segurando o copo:

Selecione a velocidade desejada utilizando o controlo de velocidade variável e depois carregue no botão ON para ligar.

Selecione uma velocidade baixa para passar lentamente e minimizar os salpicos e uma velocidade mais alta ou Turbo para passar mais rapidamente. (Consulte o quadro de utilização recomendada).

● **Para evitar salpicos, coloque a lâmina nos alimentos antes de a ligar.**

- Não deixe que o líquido suba acima do ponto de encaixe do corpo com o pé triturador da varinha.
- Mova a lâmina pelos alimentos e faça movimentos para amassar para ligar a mistura.
- **Não é adequado usar a sua varinha mágica para picar gelo.**
- Se a sua varinha mágica ficar bloqueada, desligue-a antes de a limpar.

5 Após utilizar liberte o botão ON ou o botão Turbo. Retire da tomada e rode a pega motriz no sentido contrário dos ponteiros do relógio para soltar a pega motriz do eixo da varinha mágica.

ⓑ **para utilizar o batedor de arames**

- Pode bater ingredientes leves tais como claras de ovos; natas e sobremesas instantâneas (mousses).
  - Não utilize o batedor de arames em misturas pesadas, tais como margarina e açúcar – porque vai danificar o batedor.
- 1 Introduza o batedor de arames na respectiva união ②.
  - 2 Coloque a pega motriz dentro da bainha do batedor de arames e depois rode no sentido dos ponteiros do relógio para prender.
  - 3 Coloque os alimentos numa tigela.

4 Ligue à corrente e pressione o botão ON para ligar.

Para bater a uma velocidade maior, selecione uma velocidade mais alta ou pressione o botão Turbo.

Mova o batedor no sentido dos ponteiros do relógio.

Para reduzir os salpicos selecione uma velocidade baixa e depois carregue no botão ON para ligar.

- Não deixe que o líquido suba acima dos arames do batedor.
- 5 Após utilizar liberte o botão ON ou o Turbo, desligue da corrente e desmonte.

ⓒ **como usar o utensílio emulsionador/espumador (se fornecido)**

- Nunca adicione ingredientes enquanto o aparelho está a trabalhar.
- Tenha cuidado quando misturar líquidos quentes e não processe mais de 300ml de cada vez no copo.
- Não processe mais do que 400ml de leite frio no copo pois pode transbordar à medida que espuma e engrossa.

1 Introduza o eixo do utensílio emulsionador/espumador na pega motriz. Rode a pega motriz no sentido dos ponteiros do relógio para prender.

2 Comece a misturar a baixa velocidade e aumente-a se necessário.

**dicas**

- **Para evitar salpicos, coloque o utensílio emulsionador/espumador nos alimentos a processar antes de ligar. Mantenha sempre o utensílio emulsionador/espumador totalmente submerso nos ingredientes quando está a funcionar.**

- Adicione os ingredientes líquidos sempre em primeiro lugar.
- Reduza sempre os frutos a puré antes de os adicionar.

- Se utilizar xaropes e misturas em pó, adicione-os sempre antes de começar a misturar para evitar que afundem.
- Para obter melhores resultados, todos os ingredientes líquidos devem estar o mais frios possível.
- Bebidas à base de leite, ficarão melhores se o leite estiver muito gelado. Quanto mais gelado estiver o leite, mais grosso e espumosa ficará a bebida. Leite magro produzirá uma bebida mais cremosa do que leite meio-gordo ou mesmo gordo.
- Nunca tente adicionar frutos congelados ou gelo picado.
- Parta em pedaços o gelado antes de o emulsionar.

### Ⓛ utilizar a picadora (se fornecido)

- Pode picar carne, vegetais, ervas, pão, biscoitos e nozes.
  - Não pique alimentos duros como os grãos de café, cubos de gelo, especiarias ou chocolate pois vai danificar a lâmina.
- 1 Remova todos os ossos e corte os alimentos em cubos de 1 a 2cm
  - 2 Encaixe o anel de borracha da base ⑱ no fundo da taça da picadora. (Isto evita que a taça escorregue na mesa de trabalho).
  - 3 Encaixe a lâmina picadora no pino da taça ③.
  - 4 Adicione os alimentos.
  - 5 Coloque a tampa na taça e gire para prender ④.
  - 6 Introduza a pega motriz na protecção da picadora ⑤ - rode no sentido dos ponteiros do relógio para prender.
  - 7 Ligue à corrente e segure a taça firmemente. Depois carregue no botão turbo. Em alternativa pressione o botão Turbo em pequenos accionamentos para realizar séries de impulsos.
  - 8 Após utilizar, desligue da corrente e desmonte.

### ⓔ Esmagador em Metal Masherpro™ (se fornecido)

#### importante

- Nunca utilize o esmagador numa panela que esteja ao lume. Retire sempre a panela do lume antes e deixe arrefecer ligeiramente.
  - Não bata com o esmagador nos lados do recipiente enquanto esmaga e depois. Use uma espátula para retirar o excesso de alimento.
  - Para obter melhores resultados quando esmaga, nunca encha a panela, etc. mais do que até meio.
- 1 Coza os vegetais e frutos duros e escorra-os antes de amassar.
  - 2 Coloque a bainha do esmagador no eixo do esmagador girando na direcção dos ponteiros do relógio ⑥ para o prender na posição correcta.
  - 3 Encaixe filtro grosso ou fino no eixo do esmagador - gire na direcção dos ponteiros do relógio para a prender ⑦.
  - 4 Rode o esmagador ao contrário e coloque a pá no eixo central e gire no sentido contrário dos ponteiros do relógio para fixar ⑧. **(Se a bainha não estiver colocada então a pá não fixa).**
  - 5 Introduza a pega motriz no conjunto esmagador -rode no sentido dos ponteiros do relógio para prender.
  - 6 Ligue à corrente.
  - 7 Coloque o esmagador na panela ou na taça, etc. Seleccione uma velocidade baixa no controlo de velocidade variável e depois carregue no botão ON (consulte o quadro de utilização recomendada).
  - Mova o esmagador em movimentos para cima e para baixo por toda a mistura até atingir o resultado desejado.
  - 8 Após utilizar liberte o botão ON e desligue da corrente.
  - 9 Vire a pega motriz no sentido contrário dos ponteiros do relógio e remova o conjunto esmagador.

- 10 Remova a pá do esmagador girando no sentido dos ponteiros do relógio.
- 11 Remova o filtro girando-o para o lado contrário dos ponteiros do relógio ⌚ e levantando-o.
- 12 Desaparafuse a bainha do eixo do esmagador.

**acessório opcional (não incluído na embalagem)**

Mini picadora - consulte a secção "assistência e cuidados do cliente" para poder encomendar.

## cuidado e limpeza





- Desligue sempre o aparelho no interruptor e retire a ficha da tomada antes de o limpar.
- Não toque nas lâminas afiadas.
- Alguns alimentos, ex. cenouras podem colorir o plástico. Esfregar com um pano embebido em óleo pode ajudar a retirar a coloração.
- Não utilize abrasivos.

## guia de cuidados e limpeza

Utensílio	Adequado para máquina de lavar-louça	NÃO emersa em Água	Lavar à Mão	Limpe com um pano um pouco húmido
				
Pega motriz	x	✓	x	✓
Eixo da varinha mágica *	x	✓	x	✓
Soup XL PRO *	x	✓	x	✓
Utensílio emulsionador/espumador *	x	✓	x	✓
Copo	✓	x	✓	✓
Tampa do copo	✓	x	✓	✓
Anel de borracha da base do copo	✓	x	✓	✓
Protecção da lâmina	x	x	✓	✓
Protecção da picadora	x	✓	x	✓
Taça da picadora	✓	x	✓	✓
Lâmina da picadora	✓	x	✓	✓
Tampa da taça da picadora	✓	x	✓	✓
Taça da picadora	✓	x	✓	✓
Anel de borracha da base	✓	x	✓	✓
Bainha do batedor de arames	x	✓	x	✓
Batedor de arames	✓	x	✓	✓

\* **Se entrar água no eixo, deixe escorrer e secar totalmente antes de usar novamente.**

## guia de cuidados e limpeza

Utensílio	Adequado para máquina de lavar-louça 	NÃO emersa em Água 	Lavar à Mão 	Limpe com um pano um pouco húmido 
Eixo do esmagador	x	✓	x	✓
Pá do esmagador	✓	x	✓	✓
Bainha do esmagador	x	✓	x	✓
Esmagador	✓	x	✓	✓

\* **Se entrar água no eixo, deixe escorrer e secar totalmente antes de usar novamente.**

### eixo da varinha mágica/soup XL PRO

ou

- Encha pelo meio o copo ou o recipiente similar com água morna e líquido da louça. Ligue à corrente eléctrica e insira o eixo da varinha mágica ou o passador de sopas e ligue.
- Desligue da corrente e seque em seguida.
- ou
- Lave as lâminas em água corrente e seque depois, cuidadosamente.
- **Nunca submerja em água ou deixe entrar líquido dentro do eixo. Se entrar água, deixe escorrer e secar totalmente antes de usar novamente.**
- **Não lave na máquina de lavar loiça.**

### dica sobre como limpar o pé do esmagador, eixo e filtros

- Se secaram alimentos no acessório esmagador, remova a pá. Amoleça em água morna a pá e o fundo do eixo esmagador e depois lave cuidadosamente.
- **Nunca submerja em água o eixo esmagador ou deixe entrar líquido no eixo. Se entrar água, deixe escorrer e secar totalmente antes de usar novamente.**

**importante** – não deixe que a bainha do esmagador se molhe.

## assistência e cuidados do cliente

- Se tiver qualquer problema ao utilizar o seu aparelho, antes de telefonar para a Assistência consulte a secção “guia de avarias” do Manual ou visite o site da Kenwood em [www.kenwoodworld.com](http://www.kenwoodworld.com).
- Salientamos que o seu produto está abrangido por uma garantia, em total conformidade com todas as disposições legais relativas a quaisquer disposições sobre garantias e com os direitos do consumidor existentes no país onde o produto foi adquirido.
- Se o seu produto Kenwood funcionar mal ou lhe encontrar algum defeito, agradecemos que o envie ou entregue num Centro de Assistência Kenwood autorizado. Para encontrar informações actualizadas sobre o Centro de Assistência Kenwood autorizado mais próximo de si, visite por favor o site [www.kenwoodworld.com](http://www.kenwoodworld.com) ou o website específico do seu país.

- Concebido e projectado no Reino Unido pela Kenwood.
- Fabricado na China.



**ADVERTÊNCIAS PARA A  
ELIMINAÇÃO CORRECTA  
DO PRODUTO NOS TERMOS  
DA DIRECTIVA EUROPEIA  
RELATIVA AOS RESÍDUOS DE  
EQUIPAMENTOS ELÉCTRICOS  
E ELECTRÓNICOS (REEE)**

No final da sua vida útil, o produto não deve ser eliminado conjuntamente com os resíduos urbanos.

Pode ser depositado nos centros especializados de recolha diferenciada das autoridades locais, ou junto dos revendedores que prestem esse serviço. Eliminar separadamente um electrodomésticos permite evitar as possíveis consequências negativas para o ambiente e para a saúde pública resultantes da sua eliminação inadequada, além de permitir reciclar os materiais componentes, para, assim se obter uma importante economia de energia e de recursos. Para assinalar a obrigação de eliminar os electrodomésticos separadamente, o produto apresenta a marca de um contentor de lixo com uma cruz por cima.

## guia de avarias

<b>Problema</b>	<b>Causa</b>	<b>Solução</b>
A varinha mágica não funciona.	Não tem energia eléctrica.  A Varinha Mágica não está montada correctamente.	Confirme que a varinha mágica está ligada à tomada eléctrica.  Confirme que os acessórios estão correctamente montados na pega motriz.
A varinha mágica começa a trabalhar devagar ou com dificuldade durante a utilização.	A velocidade seleccionada é demasiado baixa.  Excedeu o tempo de operação recomendado.	Aumente a velocidade.  Não utilize a varinha mágica por tempo superior a 50 segundos a cada 4 minutos em misturas pesadas ou o batedor de arames e o utensílio emulsionador/espumador mais de 3 minutos a cada 10 minutos.
Demasiados salpicos durante o processamento.	A velocidade seleccionada é demasiado alta.  O recipiente, a taça ou a panela/tacho pouco profundos ou demasiado pequenos para poder processar os ingredientes.	Selecione inicialmente uma velocidade mais baixa e aumente lentamente à medida que a mistura engrossa.  Escolha um recipiente de tamanho apropriado. Coloque a lâmina nos alimentos antes de ligar.
A pá do esmagador não se separa do conjunto esmagador.	A bainha do esmagador não está ligada ao eixo esmagador.	Assegure-se de que a bainha do esmagador está ligada ao eixo esmagador.
A pega motriz aquece enquanto trabalha.	A unidade pode ter sido utilizada durante demasiado tempo sem repousar.	Deixe a unidade arrefecer completamente antes de utilizar novamente.
A mistura não está a misturar.	A velocidade da unidade pode não ser a apropriada para os ingredientes que está a processar.	Aumente gradualmente a velocidade e misture até atingir os resultados desejados.



# Español

Antes de leer, por favor despliegue la portada que muestra las ilustraciones

## seguridad

- Lea estas instrucciones atentamente y guárdelas para poder utilizarlas en el futuro.
- Quite todo el embalaje y las etiquetas.
- Si el enchufe o el cable están dañados, por razones de seguridad, deben ser sustituidos por Kenwood o por un técnico autorizado por Kenwood para evitar posibles riesgos.
- Nunca toque las cuchillas cuando el aparato esté enchufado.
- Mantenga los dedos, pelo, ropa y utensilios fuera del alcance de las partes en movimiento.
- Desenchufe después del uso y antes de cambiar las piezas.
- Nunca bata aceite ni grasa calientes.
- Para un uso más seguro, se recomienda dejar que los líquidos calientes se enfríen a temperatura ambiente antes de hacer la mezcla.
- Nunca utilice una batidora de mano dañada. Que la revisen o arreglen, vea “servicio técnico y atención al cliente”.
- Nunca sumerja el brazo eléctrico en agua, o deje que el cable o enchufe se mojen— le podría dar una descarga eléctrica.
- Nunca deje que el cable toque superficies calientes o que cuelgue de manera que un niño pudiera cogerlo.
- Nunca utilice un accesorio no autorizado.
- Desconecte siempre la mezcladora de mano del suministro de electricidad si se

deja desatendida, y antes del montaje, del desmontaje o de la limpieza.

- Este aparato puede ser utilizado por personas con capacidades físicas, sensoriales o mentales disminuidas o con falta de experiencia o conocimientos si han recibido instrucciones o supervisión en relación con el uso del aparato de forma segura y si entienden los peligros que ello implica.
- El uso incorrecto de su aparato puede producir lesiones.
- Este aparato no debe ser utilizado por niños. Mantenga el aparato y su cable fuera del alcance de los niños.
- Los niños deben ser vigilados para asegurarse de que no jueguen con el aparato.
- Utilice este aparato únicamente para el uso doméstico al que está destinado. Kenwood no se hará cargo de responsabilidad alguna si el aparato se somete a un uso inadecuado o si no se siguen estas instrucciones.
- La potencia nominal se basa en el accesorio para picar. Es posible que otros accesorios requieran menos potencia.

### **importante**

- Para garantizar una vida larga a su aparato, con las mezclas pesadas no utilice la mezcladora de mano durante más de 50 segundos seguidos en cualquier período de cuatro minutos.

- No utilice los accesorios batidor de varillas ni espumador durante más de 3 minutos seguidos en cualquier período de 10 minutos.

## **accesorio para picar**

- No toque las cuchillas afiladas.
- Retire la cuchilla de la picadora antes de vaciar el contenido del bol.
- No retire nunca la tapa hasta que la cuchilla de la picadora se haya parado completamente.
- Sujete siempre la cuchilla de la picadora por el asa, lejos de las cuchillas, tanto durante el uso como durante la limpieza.

### **antes de enchufar el aparato**

- Asegúrese de que el suministro de energía eléctrica sea el mismo que el que aparece en la mezcladora de mano.
- Este dispositivo cumple con el reglamento (CE) n.º 1935/2004 sobre los materiales y objetos destinados a entrar en contacto con alimentos.

### **antes de usarla por primera vez**

- Tire la funda protectora de la cuchilla de la picadora ya que solo se utiliza para proteger la cuchilla durante el pro-ceso de fabricación y el transporte. Las cuchillas están muy afiladas, manéjelas con cuidado.
- Limpieza: consulte "cuidado y limpieza".

## descripción del aparato

### **mezcladora de mano**

- ① control de velocidad variable
- ② botón de ENCENDIDO
- ③ botón turbo
- ④ mango ergonómico
- ⑤ eje de la mezcladora con "triblade" fijo.
- ⑥ funda protectora de las cuchillas

### **vaso (si se incluye)**

- ⑦ tapa del vaso
- ⑧ vaso
- ⑨ anillo de goma
- Ⓐ **SOUP XL PRO (si se incluye)**
- ⑩ soup XL PRO
- ⑪ funda protectora de las cuchillas

### **Ⓑ batidor de varillas (si se incluye)**

- ⑫ collarín de la batidora
- ⑬ batidora de alambre

### **Ⓒ espumador (si se incluye)**

- ⑭ espumador

### **Ⓓ picadora (si se incluye)**

- ⑮ tapa de la picadora
- ⑯ asa
- ⑰ cuchilla de la picadora
- ⑱ bol
- ⑲ anillo de goma
- ⑳ tapa del bol

### **Ⓔ Masherpro™ de metal (si se incluye)**

- ⑳ collarín de la trituradora
- ㉑ eje de la trituradora
- ㉒ pantalla fina
- ㉓ pantalla gruesa
- ㉔ paleta de la trituradora

## tabla de usos recomendados

<b>Ingrediente/ receta</b>	<b>Recipiente</b>	<b>Velocidad</b>	<b>Tiempo de procesamiento</b> *	<b>Capacidad máx</b>
<b>Mezcladora de mano</b>				
Sopas	Cacerola de 2 litros de capacidad	Turbo	25 segundos	1 litro
Mayonesa	Vaso de 1 litro de capacidad	Turbo	45-60 segundos	4 huevos 600 ml de aceite
Comida para bebés	Vaso de 1 litro de capacidad	Turbo	30-40 segundos	300 g
Smoothies/ batidos	Vaso de 1 litro de capacidad	Turbo	30 segundos	800 ml
<b>Soup XL PRO</b>				
Sopas	Cacerola de 4 litros de capacidad	Turbo	25 segundos	2 litros
<b>Batidor de varillas</b>				
Claras de huevo	Bol de cristal grande	Turbo	2-3 minutos	4 (150 g)
Nata	Bol de cristal grande	Turbo	2-2 ½ minutos	400 ml
<b>Accesorio para picar</b>				
Carne	Bol de la picadora	Turbo	10-15 segundos	250 g
Hierbas aromáticas	Bol de la picadora	Turbo	5-10 segundos	30 g
Frutos secos	Bol de la picadora	Turbo	10-15 segundos	200 g
Pan	Bol de la picadora	Turbo	5-10 segundos	1 rebanada
Cebollas	Bol de la picadora	Control de acción intermitente	-	200 g
Galletas	Bol de la picadora	Turbo	15 segundos	140 g
Paté	Bol de la picadora	Turbo	10-15 segundos	150 g
Adobo de ciruela pasa 50 g Ciruelas pasas blandas pequeñas 400 g Miel líquida 35 g Agua  Añada los ingredientes al bol de la picadora en el orden que se indica arriba. Ponga la tapa y refrigere durante la noche.	Bol de la picadora	Turbo	3 segundos	485 g

\* Esto es solo una orientación y variará dependiendo de la receta exacta y de los ingredientes que se procesen.

tabla de usos recomendados				
Ingrediente/ receta	Recipiente	Velocidad	Tiempo de procesamiento *	Capacidad máx
<b>Masher Pro de metal – Pantalla gruesa</b>				
<b>Hortalizas cocidas</b> (patatas, colinabos, zanahorias y boniatos)	Cacerola grande/ Bol grande	mínima	30-40 segundos	600-800 g
<b>Masher Pro de metal – Pantalla fina</b>				
Patatas cocidas	Cacerola grande/ Bol grande	mínima	30-40 segundos	600-800 g
<b>Frutas blandas</b> Frambuesas Albaricoques	Bol grande Cacerola de 1 litro de capacidad	mínima mínima	30-40 segundos 30-40 segundos	500 g 400 g (ablandados en agua)
<b>Espumador</b>				
Leche fría	Vaso de 1 litro de capacidad	mínima	15-20 segundos	400 ml
Leche caliente – calentada en una cacerola hasta que casi llegue a hervir	Vaso de 1 litro de capacidad	mínima	15-20 segundos	300 ml
(La leche desnatada fría produce la mejor espuma)				
Espuma a base de fruta	Vaso de 1 litro de capacidad	mínima	30 segundos	(200 g de puré de fruta + 200 ml de agua)

\* Esto es solo una orientación y variará dependiendo de la receta exacta y de los ingredientes que se procesen.

### para usar la mezcladora de mano

- Puede mezclar sopas, salsas, batidos, mayonesa, comida para bebés, etc.

### para hacer mezclas en el vaso (si se incluye)

- Acople el anillo de goma ⑨ en la parte inferior del vaso (esto impide que el vaso se deslice en la zona de trabajo).
- No llene el vaso más de  $\frac{3}{4}$ .
- Después del mezclado, puede acoplar la tapa ⑦ a la parte superior del vaso.

### Nota

Si no se facilita ningún vaso en su paquete, elija un recipiente de tamaño adecuado. Le recomendamos que utilice un recipiente alto, de lados rectos, con un diámetro ligeramente

más grande que el pie de la mezcladora de mano para permitir el movimiento de los ingredientes, pero que sea lo suficientemente alto para evitar las salpicaduras.

### para hacer mezclas en una cacerola

- Para un uso más seguro, se recomienda quitar la cacerola del fuego y dejar que los líquidos calientes se enfríen a temperatura ambiente antes de hacer la mezcla.
- Use el soup XL PRO (si se incluye) para procesar sopas, etc. rápidamente, directamente en la cacerola. También puede utilizar la mezcladora de mano.
- **No utilice la mezcladora para sopas para procesar verduras y hortalizas crudas.**

- 1 Quite la funda protectora de las cuchillas ⑥ o ⑪ del extremo del eje de la mezcladora/soup XL PRO.
- 2 Acople el mango ergonómico dentro del eje de la mezcladora ① y gírelo en el sentido de las agujas del reloj para que quede bien ajustado.

3 Enchufe.

- 4 Ponga la comida en el vaso o un recipiente similar, luego sujetando el vaso firmemente:

Seleccione la velocidad requerida usando el control de velocidad variable y luego apriete el botón de ENCENDIDO.

Seleccione una velocidad lenta para un proceso de mezclado más lento y para minimizar las salpicaduras, y una velocidad más alta o Turbo para un proceso de mezclado más rápido (consulte la tabla de usos recomendados).

● **Para evitar las salpicaduras, introduzca la cuchilla en los alimentos que vaya a batir antes de conectar la mezcladora.**

- No deje que el líquido pase por encima de la unión entre el mango eléctrico y el eje de la mezcladora.
- Mueva la cuchilla por los alimentos mediante una acción como si removiera o hiciera puré para incorporar la mezcla.

● **La mezcladora de mano no es adecuada para picar hielo.**

- Si la mezcladora se bloquea, desenchúfela antes de desatascar.

- 5 Después del uso, suelte el botón de ENCENDIDO o el botón Turbo. Desenchufe y gire el mango ergonómico en sentido contrario a las agujas del reloj para quitar el eje de la mezcladora del mango ergonómico.

ⓑ **para usar el batidor de varillas**

- Puede batir ingredientes ligeros como claras de huevo, nata líquida y postres instantáneos.
- No bata mezclas más pesadas como manteca y azúcar con el batidor de varillas ya que puede

dañarlo.

- 1 Introduzca el batidor de varillas de alambre dentro del collarín del batidor de varillas ②.

- 2 Acople el mango ergonómico al collarín del batidor de varillas, y luego gírelo en el sentido de las agujas del reloj para que quede bien ajustado.

- 3 Coloque los alimentos en el bol.

- 4 Enchufe y apriete el botón de ENCENDIDO.

Para batir a una velocidad más rápida, seleccione una velocidad más alta o apriete el botón Turbo. Mueva el batidor de varillas en el sentido de las agujas del reloj. Para reducir las salpicaduras, seleccione una velocidad lenta y luego apriete el botón de ENCENDIDO.

- No deje que el líquido sobrepase los alambres de las varillas.

- 5 Después del uso, suelte el botón de ENCENDIDO o el botón Turbo, desenchufe y desmonte.

ⓒ **para usar el espumador (si se incluye)**

- Nunca añada ingredientes mientras el aparato esté en marcha.

- Tenga cuidado al mezclar líquidos calientes, no procese más de 300 ml en el vaso.

- No procese más de 400 ml de leche fría en el vaso ya que puede derramarse mientras se hace espuma y se espesa.

- 1 Acople el eje del espumador al mango ergonómico. Gire el mango ergonómico en el sentido de las agujas del reloj para que quede bien ajustado.

- 2 Empiece a mezclar a una velocidad lenta y aumente la velocidad si es necesario.

**consejos**

- **Para evitar las salpicaduras, introduzca el espumador en los alimentos que vaya a procesar antes de conectar el aparato. Compruebe siempre que la parte inferior del espumador esté completamente sumergida**

## **en los ingredientes durante el procesamiento.**

- Ponga siempre los ingredientes líquidos primero.
- Aplaste siempre la fruta hasta conseguir un puré suave antes de añadirla.
- Si usa siropes y preparados en polvo, añádalos justo antes de empezar a mezclarlos para evitar que se vayan hacia el fondo.
- Para obtener mejores resultados, todos los ingredientes líquidos deben estar lo más fríos posible.
- Las bebidas que contengan leche tendrán mejor sabor si la leche está muy fría. Cuanto más fría esté la leche, más espesa y más espumosa estará la bebida. La leche desnatada producirá una bebida más espumosa que la leche semidesnatada o entera.
- Nunca intente mezclar fruta congelada ni picar hielo.
- Rompa los trozos grandes de helado antes de espumar.

### **ⓓ usar la picadora (si se incluye)**

- Puede picar carne, hortalizas y verduras, hierbas aromáticas, pan, galletas y frutos secos.
  - No trocee alimentos duros como granos de café, cubitos de hielo, especias o chocolate ya que pueden dañar la cuchilla.
- 1 Retire los huesos y corte los alimentos en dados de 1-2 cm.
  - 2 Acople el anillo de goma **ⓓ** en la parte inferior del bol de la picadora (esto impide que el bol se deslice en la zona de trabajo).
  - 3 Acople la cuchilla de la picadora sobre el vástago del bol **ⓓ**.
  - 4 Añada los alimentos.
  - 5 Acople la tapa de la picadora y gírela hasta que quede bien ajustada **ⓓ**.
  - 6 Acople el mango ergonómico a la tapa de la picadora **ⓓ**, y gírelo en el sentido de las agujas del reloj para que quede bien ajustado.
  - 7 Enchufe. Sujete el bol firmemente. Entonces, pulse el botón Turbo. También puede pulsar el botón Turbo de forma intermitente


para conseguir una acción por impulsos.

- 8 Después del uso, desenchufe y desmonte.

### **ⓔ Masherpro™ de metal (si se incluye)**

#### **importante**

- Nunca utilice la trituradora en una cacerola que esté situada sobre el fuego directo. Retire siempre la cacerola del fuego y deje que se enfríe un poco.
  - No dé golpecitos con la trituradora en el lado del recipiente de cocción durante o después del proceso de triturado. Utilice una espátula para quitar el exceso de comida.
  - Para obtener mejores resultados al triturar los alimentos, llene la cacerola, etc., sólo hasta la mitad.
- 1 Cueza la fruta y las hortalizas duras y escúrralas primero antes de triturarlas.
  - 2 Acople el collarín de la trituradora al eje de la misma girándolo en el sentido de las agujas del reloj hasta que quede bien sujeto en su posición **ⓔ**.
  - 3 Acople la pantalla gruesa o la fina al eje de la trituradora y gire en el sentido de las agujas del reloj para que quede bien sujeta **ⓔ**.
  - 4 Gire la trituradora boca abajo y coloque la paleta sobre el eje central y gire en sentido contrario a las agujas del reloj para que quede bien sujeta **ⓔ (si el collarín no está acoplado, la paleta no quedará bien sujeta en su lugar)**.
  - 5 Acople el mango ergonómico al ensamblaje de la trituradora, y gírelo en el sentido de las agujas del reloj para que quede bien ajustado.
  - 6 Enchufe.
  - 7 Coloque la trituradora en la cacerola o el bol, etc. Seleccione una velocidad lenta en el control variable y luego apriete el botón de ENCENDIDO (consulte la tabla de usos recomendados).

- Mueva la trituradora con un movimiento hacia arriba y hacia abajo durante todo el proceso de mezclado hasta conseguir el resultado deseado.
- 8 Después del uso, suelte el botón de ENCENDIDO y desenchufe el aparato.
- 9 Gire le mango ergonómico en sentido contrario a las agujas del reloj y quite el ensamblaje de la trituradora.
- 10 Quite la paleta de la trituradora girándola en el sentido de las agujas del reloj.
- 11 Quite la pantalla girándola en sentido contrario a las agujas del reloj  y luego sáquela.
- 12 Desenrosque el collarín del eje de la trituradora.

**accesorio opcional (no se suministra en el paquete)**

Minipicadora – consulte la sección “servicio técnico y atención al cliente” para encargarla.

## cuidado y limpieza

- Apague y desenchufe siempre el aparato antes de proceder a su limpieza,
- No toque las cuchillas afiladas.
- Algunos alimentos, como las zanahorias, pueden manchar el plástico. Frotar el plástico con un paño suave mojado en aceite vegetal puede ayudar a eliminar las manchas.
- No utilice productos abrasivos.



## guía para el cuidado y la limpieza

Artículo	Apto para lavar en el lavavajillas 	No sumergir en agua 	Lavar a mano 	Limpiar con un paño húmedo 
Mango ergonómico	x	✓	x	✓
Eje de la mezcladora *	x	✓	x	✓
Soup XL PRO *	x	✓	x	✓
Espumador *	x	✓	x	✓
Vaso	✓	x	✓	✓
Tapa del vaso	✓	x	✓	✓
Anillo de goma del vaso	✓	x	✓	✓
Funda protectora de las cuchillas	x	x	✓	✓
Tapa de la picadora	x	✓	x	✓
Bol de la picadora	✓	x	✓	✓
Cuchilla de la picadora	✓	x	✓	✓
Tapa del bol de la picadora	✓	x	✓	✓
Anillo de goma del bol de la picadora	✓	x	✓	✓
Collarín del batidor de varillas	x	✓	x	✓
Batidor de varillas	✓	x	✓	✓
Eje de la trituradora	x	✓	x	✓
Paleta de la trituradora	✓	x	✓	✓
Collarín de la trituradora	x	✓	x	✓
Trituradora	✓	x	✓	✓

\* **Si entra agua dentro del eje, escúrralo y deje que se seque antes de usarlo.**

### eje de la mezcladora de mano/soup XL PRO

o bien

- Llene parcialmente el vaso o un recipiente similar con agua templada con jabón. Enchufe a la toma de corriente, a continuación, inserte el eje de la mezcladora de mano o la mezcladora para sopas y ponga el aparato en marcha.
- Desenchufe y, a continuación, seque bien o bien

- Lave las cuchillas bajo agua corriente, luego séquelas completamente.
- **Nunca lo sumerja en agua ni permita que entre líquido en el eje. Si entra agua dentro, escúrralo y deje que se seque antes de usarlo.**
- **No lo lave en el lavavajillas.**

### **consejo sobre la limpieza del pie/eje y pantallas de la trituradora**

- Si se ha dejado que se seque comida en la trituradora, quite la paleta. Ponga la paleta y la parte inferior del eje de la trituradora a remojo en agua caliente para ablandar los restos de comida y, luego, lávelos bien.
- **Nunca sumerja el eje de la trituradora en agua ni permita que entre líquido en el eje. Si entra agua dentro, deje que se escurra y que se seque antes de usar el aparato.**  
**importante** – no deje que el collarín de la trituradora se moje.

### **servicio técnico y atención al cliente**

- Si tiene problemas con el funcionamiento del aparato, antes de solicitar ayuda, consulte la sección “guía de solución de problemas” en el manual o visite [www.kenwoodworld.com](http://www.kenwoodworld.com).
- Tenga en cuenta que su producto está cubierto por una garantía que cumple con todas las disposiciones legales relativas a cualquier garantía existente y a los derechos de los consumidores vigentes en el país donde se adquirió el producto.
- Si su producto Kenwood funciona mal o si encuentra algún defecto, envíelo o llévelo a un centro de servicios KENWOOD autorizado. Para encontrar información actualizada sobre su centro de servicios KENWOOD autorizado más cercano, visite [www.kenwoodworld.com](http://www.kenwoodworld.com) o la página web específica de su país.
- Diseñado y creado por Kenwood en el Reino Unido.
- Fabricado en China.



### **ADVERTENCIAS PARA LA CORRECTA ELIMINACIÓN DEL PRODUCTO SEGÚN ESTABLECE LA DIRECTIVA EUROPEA SOBRE RESIDUOS DE APARATOS ELÉCTRICOS Y ELECTRÓNICOS (RAEE)**

Al final de su vida útil, el producto no debe eliminarse junto a los desechos urbanos.

Puede entregarse a centros específicos de recogida diferenciada dispuestos por las administraciones municipales, o a distribuidores que faciliten este servicio. Eliminar por separado un electrodoméstico significa evitar posibles consecuencias negativas para el medio ambiente y la salud derivadas de una eliminación inadecuada, y permite reciclar los materiales que lo componen, obteniendo así un ahorro importante de energía y recursos. Para subrayar la obligación de eliminar por separado los electrodomésticos, en el producto aparece un contenedor de basura móvil tachado.

## guía de solución de problemas

<b>Problema</b>	<b>Causa</b>	<b>Solución</b>
La mezcladora de mano no funciona	No hay corriente eléctrica.  La mezcladora de mano no se ha ensamblado correctamente.	Compruebe que la mezcladora de mano esté enchufada.  Compruebe que los accesorios estén bien ajustados al mango ergonómico.
La mezcladora de mano empieza a ir más despacio o se ahoga durante el procesamiento.	La velocidad seleccionada es demasiado lenta.  Se ha sobrepasado el tiempo de funcionamiento recomendado.	Aumente la velocidad.  No haga funcionar la mezcladora de mano durante más de 50 segundos en cualquier período de 4 minutos para mezclas pesadas, ni el batidor de varillas y el espumador durante más de 3 minutos seguidos en cualquier período de 10 minutos.
Exceso de salpicaduras durante el procesamiento.	La velocidad seleccionada es demasiado alta.  El recipiente, bol o cacerola es demasiado poco profundo o demasiado pequeño para los ingredientes que se está procesando.	Al principio, seleccione una velocidad más lenta y aumentela a medida que la mezcla se espese.  Seleccione un recipiente del tamaño adecuado. Introduzca las cuchillas dentro de la comida antes de conectar el aparato.
La paleta de la trituradora no se puede quitar del ensamblaje de la trituradora.	El collarín de la trituradora no está conectado al eje de la trituradora.	Compruebe que el collarín de la trituradora esté conectado al eje de la trituradora.
El mango ergonómico se calienta durante el funcionamiento.	Puede que la unidad se haya usado durante un periodo de tiempo prolongado.	Deje que la unidad se enfríe completamente antes de usarla otra vez.
La mezcla no se está procesando.	Puede que la velocidad de la unidad no sea adecuada para los ingredientes que se están mezclando.	Aumente gradualmente la velocidad y mezcle hasta lograr el resultado deseado.

# Dansk

Inden brugsanvisningen læses, foldes forsiden med illustrationerne ud

## sikkerhed

- Læs denne brugervejledning nøje, og opbevar den i tilfælde af, at du får brug for at slå noget op i den.
- Fjern al emballage og mærkater.
- Hvis stikket eller ledningen er beskadiget, skal Kenwood eller en autoriseret Kenwood-reparatør af sikkerhedsgrunde stå for udskiftningen for at undgå fare.
- Rør aldrig ved knivene, når maskinens stik sidder i stikkontakten.
- Hold fingre, hår, tøj og redskaber væk fra bevægelige dele.
- Efter brug og inden skift af tilbehør skal stikket altid tages ud af stikkontakten.
- Håndblenderen må aldrig anvendes i varm olie eller fedt.
- For mest sikker anvendelse anbefales det at lade varme væsker køle af til stuetemperatur før der blendes.
- Anvend aldrig en beskadiget håndblender. Få den kontrolleret eller repareret: se 'service og kundepleje'.
- Kom aldrig motorhåndtaget i vand og lad aldrig ledning eller stik blive våde – risiko for elektriske stød.
- Lad aldrig ledningen komme i berøring med varme flader eller hænge ned, hvor et barn kan gribe fat i den.
- Brug aldrig et ikke godkendt tilbehør.
- Frakobl altid håndblenderen fra kraftudtaget, hvis den efterlades uden for opsyn og før montering, afmontering eller rengøring.

- Apparater kan bruges af personer med reducerede fysiske, sansemæssige eller mentale evner eller mangel på erfaring og kendskab, hvis de er blevet vejledt eller givet instrukser i brugen af apparatet på en sikker måde, og hvis de forstår de farer, der er involveret.
- Misbrug af maskinen kan føre til læsioner.
- Dette apparat må ikke anvendes af børn. Opbevar apparatet og ledningen utilgængeligt for børn.
- Børn bør overvåges for at sikre, at de ikke leger med apparatet.
- Anvend kun apparatet til husholdningsbrug. Kenwood påtager sig intet erstatningsansvar, hvis apparatet ikke anvendes korrekt eller disse instruktioner ikke følges.
- Den nominelle effekt er baseret på hakkertilbehøret. Andet tilbehør kan bruge mindre strøm.

### **vigtigt**

- For at sørge for en lang levetid af dit apparat anbefales det at du ikke anvender din håndblender i længere end 50 sekunder ad gangen for tunge blandinger, inden for enhver fire-minutters periode.
- Brug ikke piskeris eller opskumningstilbehør længere end 3 minutter i løbet af 10 minutter.

### **tilbehør til hakkeren**

- De skarpe knive må ikke berøres.
- Hakkekniven fjernes før skålen tømmes.
- Dækslet må aldrig fjernes før hakkekniven er stoppet helt.

- Hold altid hakkekniven i fingergrebet væk fra hakkeknivene, både under håndtering og rengøring.

#### **før stikket sættes i stikkontakten**

- Sørg for at din strømforsyning er identisk med den som er vist på håndblenderen.
- Dette apparat overholder EF-forordning 1935/2004 om materialer og genstande, der kommer i kontakt med levnedsmidler.

#### **før første anvendelse**

- Smid hakkeknivens betræk ud, da det kun er beregnet til at beskytte kniven under fremstilling og transport. Vær forsigtig, da knivene er meget skarpe.
- Vask delene: se 'pleje og rengøring'.

## forklaring

### **håndblender**

- ① variabel hastighedskontrol
- ② ON-knap
- ③ turboknap
- ④ elhåndgreb
- ⑤ blenderskaft med fastmonteret triblade.
- ⑥ knivbetræk

### **bægerglas (hvis denne medfølger)**

- ⑦ bægerlåg
- ⑧ bægerglas
- ⑨ gummiring

### **A SOUP XL PRO (hvis denne medfølger)**

- ⑩ soup XL PRO
- ⑪ knivbetræk

### **B piskeris (hvis denne medfølger)**

- ⑫ piskering
- ⑬ metalpisker

### **C opskumningsværktøj (hvis den medfølger)**

- ⑭ opskumningsværktøj

### **D hakker (hvis den medfølger)**

- ⑮ hakkedæksel
- ⑯ fingergreb
- ⑰ hakkekniv
- ⑱ skål
- ⑲ gummiring
- ⑳ skållåg

### **E Metal masherpro™ (hvis den medfølger)**

- ㉑ moser-ring
- ㉒ moser-skaft
- ㉓ fin sigte
- ㉔ grov sigte
- ㉕ moser-skovl

anbefalet brugsdiagram				
<b>Ingrediens/ opskrift</b>	<b>Beholder</b>	<b>Hastighed</b>	<b>Tilberednings- tid *</b>	<b>Maks. kapacitet</b>
<b>Håndblender</b>				
Supper	2-liters kasserolle	Turbo	25 sek	1 liter
Mayonnaise	1-liters bæger	Turbo	45-60 sek.	4 æg 600 ml olie
Babymad	1-liters bæger	Turbo	30-40 sek.	300 g
Smoothies/ Milkshakes	1-liters bæger	Turbo	30 sek.	800 ml
<b>Soup XL PRO</b>				
Supper	4-liters kasserolle	Turbo	25 sek.	2 liter

\* Dette er kun til orientering og varierer afhængigt af den præcise opskrift og ingredienserne, der tilberedes.

anbefalet brugsdiagram				
Ingrediens/ opskrift	Beholder	Hastighed	Tilberednings- tid *	Maks. kapacitet
<b>Piskeris</b>				
Æggehvider	Stor glasskål	Turbo	2-3 min.	4 (150 g)
Creme	Stor glasskål	Turbo	2-2½ min.	400 ml
<b>Tilbehør til hakkeren</b>				
Kød	Hakkeskål	Turbo	10-15 sek.	250 g
Urter	Hakkeskål	Turbo	5-10 sek.	30 g
Nødder	Hakkeskål	Turbo	10-15 sek.	200 g
Brød	Hakkeskål	Turbo	5-10 sek.	1 skive
Løg	Hakkeskål	Puls	–	200 g
Småkager	Hakkeskål	Turbo	15 sek.	140 g
Paté	Hakkeskål	Turbo	5-10 sek.	150 g
Sveskemarkinade 50 g Små bløde svesker 400 g Flydende honning 35 g Vand  Kom ingredienserne i hakkeskålen i den rækkefølge, der er angivet ovenfor. Sæt låget på, og sæt på køl natten over.	Hakkeskål	Turbo	3 sek.	485 g
<b>Metal Masher Pro – Grov sigte</b>				
<b>Kogte grøntsager</b> (kartofler, kålrambølle, gulerødder og yams)	Stor kasserolle/ Stor skål	minimum	30-40 sek.	600-800 g
<b>Metal Masher Pro – Fin sigte</b>				
Kogte kartofler	Stor kasserolle/ Stor skål	minimum	30-40 sek.	600-800 g
<b>Blød frugt</b> Hindbær Abrikoser	Stor skål 1-liters kasserolle	minimum minimum	30-40 sek. 30-40 sek.	500 g 400 g (lagt i blød i vand)
<b>Opskumningsværktøj</b>				
Kold mælk	1-liters bæger	minimum	15-20 sek.	400 ml
Varm mælk – opvarmet i kasserolle, til den snurrer	1-liters bæger	minimum	15-20 sek.	300 ml
(Kold skummetmælk giver det bedste skum)				
Skum med frugt	1-liters bæger	minimum	30 sek.	(200 g frugt-puré + 200 ml vand)

\* Dette er kun til orientering og varierer afhængigt af den præcise opskrift og ingredienserne, der tilberedes.

## **sådan anvender du håndblenderen**

- Du kan blende supper, saucer, milkshakes, mayonnaise, baby mad osv.

### **til blanding i bægerglas (hvis bægerglasset medfølger)**

- Sæt gummiringbunden ⑨ på bunden af bægeret. (Dette forhindrer bægeret i at glide på køkkenbordet).
- Lad være med at fylde bægerglasset mere end  $\frac{3}{4}$  op.
- Efter blanding kan du sætte låget ⑦ oven på bægeret.

### **Bemærk**

Hvis der ikke medfølger noget bægerglas i din pakning, vælges en beholder af en passende størrelse. Vi anbefaler en høj beholder med lige sider, og en diameter som er en smule større end foden af håndblenderen, for at gøre bevægelser af ingredienserne mulige, men høj nok til at undgå sprøjt.

### **til blanding i kasserolle**

- For den sikreste anvendelse anbefales det at tage gryden af varmen og lad varme væsker afkøle til stuetemperatur før blanding.
- Brug SOUP XL PRO (hvis denne medfølger) til hurtigt at tilberede supper osv. direkte i kasserollen. Brug alternativt håndblenderen.
- **Suppeblenderen må ikke bruges til at blende grønsager, der ikke er afkølet.**

- 1 Aftag knivdækslet ⑥ eller ⑪ fra enden af blender-skaffet/soup XL PRO
- 2 Sæt motorhåndtaget i blenderskaffet ①, og drej med uret for at låse.
- 3 Tilslut strømforsyning
- 4 Anbring maden i bægeret eller en lignende beholder, og hold Bægeret i ro:  
Vælg den ønskede hastighed på den variable hastighedskontrol, og tryk på ON-knappen.

Vælg en lav hastighed til langsommere blanding og for at minimere stænk og en højere hastighed eller Turbo til hurtigere blanding, (se anbefalet brugsdiagram).

### **● For at undgå sprøjt placeres knivene i maden før der tændes for blenderen.**

- Lad ikke væsken komme over samlingen mellem motorhåndtaget og blenderstaven.
- Bevæg knivene gennem maden og brug en mosende eller rørende bevægelse til at gennemarbejde blandingen.

### **● Håndblenderen er ikke egnet til isk nusning.**

- Hvis blenderen blokeres, trækkes stikket ud af strømforsyningen, førend den renses
- 5 Efter brug udløses ON- eller Turbo-knappen. Tag stikket ud, og drej el-håndgrebet mod uret for at tage blenderskaffet af elhåndgrebet.

### **ⓑ sådan anvender du piskeriset**

- Du kan piske lette ingredienser som f.eks. æggevider; fløde og dessertpulver.
  - Pisk ikke tunge blandinger som fedtstof og sukker – det skader piskeriset.
- 1 Tryk piskeriset ind i piskepladen ②.
  - 2 Sæt motorhåndtaget på piskereringen, og drej med uret for at låse.
  - 3 Kom maden i en skål.
  - 4 Sæt stikket i, og tryk på ON-knappen. For at piske ved hurtigere hastighed vælges en højere hastighed, eller der trykkes på Turbo-knappen. Bevæg piskeriset med uret. For at reducere stænk vælges en lav hastighed, derpå trykkes på ON-knappen.
- Lad ikke væsken komme over piskerisets tråde.
- 5 Efter brug slippes ON- eller turbo-knappen, stikket trækkes ud og delene skilles ad.



### **Ⓒ brug af opskumningsværktøjet (hvis dette medfølger)**

- Tilføj aldrig ingredienser, mens apparatet kører.
- Vær forsigtig, når du blander varm væske, tilbered ikke mere end 300 ml i bægeret.
- Tilbered ikke mere end 400 ml kold mælk i bægeret, da den kan løbe over, når den skummer og bliver tyk.

- 1 Sæt opskumningsværktøjets skaft på elhåndgrebet Drej el-håndgrebet med uret for at låse.
- 2 Begynd at mikse ved lav hastighed, og øg hastigheden efter behov.

#### **tip**

- **For at undgå at stænke sættes opskumningsværktøjet ned i maden, der skal tilberedes, før der tændes. Sørg altid for, at det nederste af opskumningsværktøjet er helt dækket af ingredienserne under tilberedning.**

- Hæld altid væskeingredienserne i først.
- Mos altid frugt til en jævn puré, før den tilføjes.
- Hvis der bruges frugtsirup og pulverblandinger, skal de tilføjes lige før miksning for at hindre dem i at synke ned på bunden.
- For at opnå det bedste resultat skal alle væskeingredienser være så kolde som muligt.
- Mælkedrikke smager bedre, hvis mælken er iskold. Jo koldere mælk, jo tykkere og mere skummende bliver drikken. Skummetmælk giver en mere skummende drik end let- eller sødmælk.
- Forsøg aldrig at mikse frossen frugt eller knuse is.
- Slå store stykker dessertis i stykker før opskumning.

### **Ⓓ sådan anvendes hakkeren (hvis den medfølger)**

- Du kan hakke kød, grøntsager, urter, brød, kiks og nødder.
  - Hårde fødevarer, som f.eks. kaffebønner, isterninger, krydderier eller chokolade må ikke hakkes – du kan beskadige knivene.
- 1 Ben fjernes og maden skæres i tern på 1-2 cm.
  - 2 Sæt gummiringbunden ⑱ på bunden af hakkeskålen. (Dette forhindrer skålen i at glide på køkkenbordet.)
  - 3 Sæt hakkekniven over stiftens i skålen ③.
  - 4 Tilsæt dine madvarer.
  - 5 Sæt hakkedækslet på, drej og lås ④.
  - 6 Sæt elhåndgrebet på hakke-dækslet ⑤, og drej med uret for at låse.
  - 7 Sæt stikket i. Hold skålen i ro. Derefter trykkes på Turbo-knappen. Eller Turbo-knappen trykkes ned i korte stød for at opnå en pulsfunktion.
  - 8 Efter brug trækkes stikket ud og delene skilles ad.

### **Ⓔ Metal Masherpro™ (hvis den medfølger)**

#### **vigtigt**

- Moseren må aldrig bruges i en saucepande over direkte varme. Fjern altid saucepanden fra varmen og lad den køle lidt af.
  - Lad være med at banke moseren af på siden af kogeapparatet under eller efter mosningen. Anvend en dejskraber til at skrabe overskydende mad væk.
  - For at opnå de bedste resultater med mosningen, må en saucepande osv. ikke fyldes mere end halvt op med mad.
- 1 Kog hårde grøntsager og frugt først, og hæld vandet fra før der moses.
  - 2 Sæt moseringen på moserskaft ved at dreje med uret, indtil den låser på plads ⑥.
  - 3 Sæt enten den grove eller fine sigte på moserskaftet. Drej med uret for at låse ⑦.

- 4 Vend moseren på hovedet, sæt skovlen på over det centrale nav og drej mod uret for at lokalisere **⑧. (Hvis ringen ikke er monteret, vil skovlen ikke være kunne sættes sikkert på plads).**
- 5 Sæt elhåndgrebet på moserenheden – drej med uret for at låse.
- 6 Sæt stikket i.
- 7 Anbring moseren i gryden eller skålen eller lignende. Vælg en lav hastighed på den variable regulator, og tryk på ON-knappen (se anbefalet brugsdiagram).
- Flyt moseren i en op- og nedadgående bevægelse under blanding, indtil det ønskede resultat nås.
- 8 Efter brug slippes ON-knappen og stikket trækkes ud.
- 9 Drej elhåndgrebet mod uret, og aftag moserenheden.
- 10 Fjern skovlen fra moseren ved at dreje med uret.
- 11 Fjern sigten ved at dreje mod uret **⑨** og løft den af.
- 12 Skru ringen af moserskaftet.

### **ekstra tilbehør (medfølger ikke)**

Minihakker - se afsnittet "service og kundepleje" for bestilling.

## pleje og rengøring

- Inden rengøring sluk altid for håndblenderen og tag stikket ud af stikkontakten.
- Rør ikke ved de skarpe knive.
- Nogle fødevarer, som f.eks. gulerødder, kan misfarve plasticdele. Hvis de gnides med en klud dyppet i vegetabilsk olie, kan det hjælpe på misfarvningen.
- Brug ikke slibemidler.

## pleje- og rengøringsvejledning

Genstand	Egnet til maskinopvask 	Må ikke lægges i vand 	Vask i hånden 	Tør med en fugtig klud 
Elhåndgreb	x	✓	x	✓
Blenderskaft *	x	✓	x	✓
Soup XL PRO *	x	✓	x	✓
opskumningsværktøj *	x	✓	x	✓
Bæger	✓	x	✓	✓
Bægerlåg	✓	x	✓	✓
Gummiring til bægerglas	✓	x	✓	✓
Knivbetræk	x	x	✓	✓
Hakkedæksel	x	✓	x	✓
Hakkeskål	✓	x	✓	✓
Hakkekniv	✓	x	✓	✓
Låg til hakkeskål	✓	x	✓	✓
Hakkeskål gummiring til bægerglas	✓	x	✓	✓
Piskerring	x	✓	x	✓
Piskeris	✓	x	✓	✓
Moser-skaft	x	✓	x	✓
Moser-skovl	✓	x	✓	✓
Moser-ring	x	✓	x	✓
Moser	✓	x	✓	✓

\* Hvis der trænger vand ind i skaftet, skal det hældes fra og skaftet tørres før brug.

## **håndblendeskraft/soup XL PRO**

enten

- Fyldes bægerglasset eller en lignende beholder delvist med varmt sæbevand. Sæt stikket i stikkontakten, og sæt håndblendeskraften eller suppeblenderen ned i vandet og tænd.
- Træk stikket ud og tør efter eller
- Vask knivene under rindende vand og tør derefter grundigt.
- **Læg det aldrig i blød, og lad aldrig væske komme ind i skaftet. Hvis der skulle trænge vand ind, skal det hældes fra og skaftet tørres før brug.**
- **Må ikke maskinvaskes.**  
**tip om rengøring af moserfoden/-skaftet og sigterne**
- Hvis foden har fået lov til at tørre på mosertilbehøret, fjernes skovlen. Læg skovlen og bunden af moserskafter i blød i varmt vand for at opløse resterne og vask så grundigt.
- **Moserskaftet må aldrig nedsænkes i vand. Lad aldrig væske komme ind i akslen. Hvis der alligevel kommer vand ind, skal det tømmes ud og moserskaftet stå til tørre før brug.**  
**vigtigt** – lad ikke moser-ringen blive våd.

## service og kundepleje

- Hvis du oplever nogen problemer med betjening af dit apparat, skal du, før du anmoder om hjælp, se afsnittet "fejlsøgningsguide" i manualen eller besøge [www.kenwoodworld.com](http://www.kenwoodworld.com).
- Bemærk, at dit produkt er dækket af en garanti, som overholder alle lovbestemmelser, vedrørende evt. eksisterende garanti- og forbrugerrettigheder i det land, hvor produktet er blevet købt.

- Hvis dit Kenwood-produkt er defekt, eller du finder nogen fejl, skal du sende det eller bringe det til et autoriseret KENWOOD-servicecenter. For at finde opdaterede oplysninger om dit nærmeste autoriserede KENWOOD-servicecenter kan du gå til [www.kenwoodworld.com](http://www.kenwoodworld.com) eller webstedet for dit land.
- Designet og udviklet af Kenwood i Storbritannien.
- Fremstillet i Kina.



## **VIGTIG INFORMATION ANGÅENDE KORREKT BORTSKAFFELSE AF PRODUKTET I OVERENSSTEMMELSE MED EU-DIREKTIVET OM AFFALD AF ELEKTRISK OG ELEKTRONISK UDSTYR (WEEE)**

Ved afslutningen af dets produktive liv må produktet ikke bortskaffes som almindeligt affald. Det bør afleveres på et specialiseret lokalt genbrugscenter eller til en forhandler, der yder denne service. At bortskaffe et elektrisk husholdningsapparat separat gør det muligt at undgå eventuelle negative konsekvenser for miljø og helbred på grund af u hensigtsmæssig bortskaffelse, og det giver mulighed for at genbruge de materialer det består af, og dermed opnå en betydelig energi- og ressourcebesparelse. Som en påmindelse om nødvendigheden af at bortskaffe elektriske husholdningsapparater separat, er produktet mærket med en mobil affaldsbeholder med et kryds.

## fejlsøgningsguide

<b>Problem</b>	<b>Årsag</b>	<b>Løsning</b>
Håndblenderen vil ikke køre	Ingen strøm  Håndblender ikke samlet korrekt	Kontroller, at håndblenderens stik er sat i.  Kontroller, at tilbehør er sikkert fastlåst på el-håndgrebet.
Håndblender begynder at køre langsomt eller anstrengt under tilberedning.	Valgt hastighed for lav  Anbefalet funktions-tid overskredet.	Øg hastigheden  Lad ikke hånd-blenderen køre i længere end 50 sekunder i 4 minutters periode ved tung blanding, eller piske- og opskumningsværktøjet i 3 minutter i en 10-minutters periode.
Kraftig stænkning under tilberedning	Valgt hastighed for høj.  Beholder, skål eller gryde for lav eller for lille til de ingredienser, der tilberedes.	Vælg en lavere hastighed først, og forøg den, når blandingen bliver tykkere..  Vælg en beholder af korrekt størrelse. Sæt knivene ned i maden, før der tændes.
Moser-skovlen kan ikke tages af moser-enheden	Moser-ring ikke sluttet til moser-skaftet.	Sørg for, at moser-ringen er sluttet til moser-skaftet.
Elhåndgrebet bliver varmt under brug.	Enheden kan være blevet brugt i længere tid.	Lad enheden køle helt ned, før den bruges igen.
Blandingen går ikke sammen.	Enhedens hastighed er evt. ikke korrekt til de ingredienser, der blendes.	Øg gradvist hastigheden, og blend, til ønsket resultat er opnået.

# Svenska

Vik ut framsidan med illustrationerna innan du börjar läsa

## säkerhet

- Läs bruksanvisningen noggrant och spara den för framtida bruk.
- Avlägsna allt emballage och alla etiketter.
- Om kontakten eller sladden är skadad måste den av säkerhetsskäl bytas ut av Kenwood eller av en auktoriserad Kenwood-reparatör för att undvika fara.
- Vidrör aldrig bladen medan sladden sitter i.
- Håll fingrar, hår, kläder och tillbehör borta från rörliga delar.
- Dra alltid ut kontakten efter användningen och innan du byter tillbehör.
- Mixa aldrig varm olja eller varmt fett.
- Låt alltid varma vätskor svalna till rumstemperatur innan du mixar.
- Använd aldrig en skadad stavmixer. Få den kontrollerad eller reparerad, se "service och kundtjänst".
- Doppa aldrig handtaget, som innehåller kraftdelen, i vatten och låt inte sladden eller kontakten bli våta - då kan du få en elektrisk stöt.
- Låt aldrig sladden vidröra varma ytor eller hänga ner så att ett barn kan gripa tag i den.
- Använd aldrig ej godkända tillbehör.
- Koppla alltid loss stavmixern från nätuttaget om den lämnas obevakad och innan den sätts ihop, tas isär eller rengörs.
- Apparaten kan användas av personer med begränsad fysisk eller mental förmåga eller begränsad känsel eller med bristande

erfarenhet eller kunskap, om de övervakas eller får instruktioner om hur den ska användas på säkert sätt och förstår de medföljande riskerna.

- Om apparaten används på fel sätt kan det orsaka skador.
- Denna apparat ska inte användas av barn. Håll apparat och sladden utom räckhåll för barn.
- Barn får inte lov att leka med apparaten. Lämna dem inte ensamma med den.
- Använd apparaten endast för avsett ändamål i hemmet. Kenwood fransäger sig allt ansvar om apparaten används på felaktigt sätt eller om dessa instruktioner inte följs.
- Märkeffekten är baserad på hacktillbehöret. Andra tillbehör kan använda mindre kraft.

### **viktigt**

- Säkerställ maskinens livslängd genom att inte köra stavmixern längre än 50 sekunder under en 4-minuters period om du arbetar med en tjock blandning.
- Använd inte vispen eller mjölkskummaren längre än 3 minuter under en 10-minuters period.

### **kniv**

- Rör inte vid de vassa bladen.
- Demontera knivbladet innan du tömmer skålen.
- Demontera inte skyddet förrän kniven stannat helt.
- Håll alltid kniven i greppet med handen vänd bort från bladen, både vid hantering och rengöring.

### innan du sätter i kontakten

- Se till att nätspänningen hos dig motsvarar den som visas på stavmixern.
- Den här apparaten uppfyller EG förordning 1935/2004 om material och produkter avsedda att komma i kontakt med livsmedel.

### innan du använder första gången

- Kasta höljena som sitter på knivarna efter att du har tagit bort dem. De är bara där för att skydda kniven under till-verkningen och transporten. Var försiktig eftersom knivarna är mycket vassa.
- Diska delarna: se "skötsel och rengöring".

### bägare (om sådan medföljer)

- ⑦ bägarlock
- ⑧ bägare
- ⑨ gummiringbas

### A SOUP XL PRO (om sådan medföljer)

- ⑩ soup XL PRO
- ⑪ knivskydd

### B visp (om sådan medföljer)

- ⑫ vispkrage
- ⑬ ballongvisp

### C mjölkskummare (om sådan medföljer)

- ⑭ mjölkskummare

### D kniv (om sådan medföljer)

- ⑮ knivlock
- ⑯ grepp
- ⑰ knivblad
- ⑱ skål
- ⑲ gummiringbas
- ⑳ skållock

### E Mostillbehör i metall Masherpro™ (om sådant medföljer)

- ㉑ fäste för mostillbehör
- ㉒ skaft till mostillbehör
- ㉓ fint mosfilter
- ㉔ grovt mosfilter
- ㉕ blad för mostillbehör

## förklaring till bilder

### mixerstav

- ① reglage för variable hastighet
- ② PÅ/AV-knapp
- ③ turboknapp
- ④ handtag
- ⑤ mixeraxel med fast knivsats med "triblade"
- ⑥ knivskydd

## rekommenderad användning

Ingredienser/ recept	Kärl	Hastighet	Bearbetningstid *	Max- kapacitet
<b>Stavmixer</b>				
Soppor	2-liters kastrull	Turbo	25 s	1 liter
Majonnäs	1-liters bägare	Turbo	45-60 s	4 ägg 600 ml olja
Barnmat	1-liters bägare	Turbo	30-40 s	300 g
Smoothie/ milkshake	1-liters bägare	Turbo	30 s	800 ml
<b>Soup XL PRO</b>				
Soppor	4-liters kastrull	Turbo	25 s	2 liter
<b>Visp</b>				
Äggvitor	Stor glasskål	Turbo	2-3 minuter	4 (150 g)
Vispgräddde	Stor glasskål	Turbo	2-2 ½ minut	400 ml

\* Detta är endast vägledning och varierar enligt recept och ingredienser som bearbetas.



rekommenderad användning				
Ingredienser/ recept	Kärl	Hastighet	Bearbetningstid *	Max- kapacitet
<b>Knivtillbehör</b>				
Kött	Knivskål	Turbo	10-15 s	250 g
Örter	Knivskål	Turbo	5-10 s	30 g
Nötter	Knivskål	Turbo	10-15 s	200 g
Bröd	Knivskål	Turbo	5-10 s	1 skiva
Lök	Knivskål	Puls	–	200 g
Kex	Knivskål	Turbo	15 s	140 g
Paté, pastej	Knivskål	Turbo	5-10 s	150 g
Katrinplommon marinad 50 g Små, mjuka katrinplommon 400 g Flytande honung 35 g Vatten  Tillsätt ingredienserna i hackningsskålen i den ordning som anges ovan. Montera locket och kyl i kylskåp över natten.	Knivskål	Turbo	3 s	485 g
<b>Metal Masher Pro – grovt filter</b>				
<b>Kokta grönsaker</b> (potatis, kålrot, morötter och jams)	Stor kastrull/ stor skål	minimum	30-40 s	600-800 g
<b>Metal Masher Pro – fint filter</b>				
Kokt potatis	Stor kastrull/ stor skål	minimum	30-40 s	600-800 g
<b>Mjuka frukter</b> Hallon Aprikoser	Stor skål/ 1-liters kastrull	minimum minimum	30-40 s 30-40 s	500 g 400 g (mjuklagda i vatten)
<b>Mjölkskummare</b>				
Kall mjölk	1-liters bägare	minimum	15-20 s	400 ml
Varm mjölk – uppvärmd i kastrull tills den sjuder	1-liters bägare	minimum	15-20 s	300 ml
(Kall lättmjölk ger det bästa skummet)				
Fruktbaserade skum	1-liters bägare	minimum	30 s	(200 g fruktpuré + 200 ml vatten)

\* Detta är endast vägledning och varierar enligt recept och ingredienser som bearbetas.

## **användning av stavmixern**

- Du kan mixa soppor, såser, milkshakes, majonnäs och barnmat m.m.

### **för mixning i bägare (om sådan medföljer)**

- Montera gummiringen ⑨ på bägarens botten. (Då glider inte bägaren på underlaget.)
- Fyll inte bägaren över  $\frac{2}{3}$ .
- Efter mixning kan du sätta på lock ⑦ på bägaren

#### **Obs!**

Om det inte medföljer någon bägare i förpackningen väljer du ett annat kärl av lämplig storlek. Vi rekommenderar ett högt kärl med raka sidor och en diameter som är något större än stavmixerns fot. Då kan du komma åt att röra om ingredienserna utan att de stänker över kanten.

### **för mixning i kastrull**

- Ta alltid bort kastrull från spisen och låt varm vätska svalna till rumstemperatur innan du mixar.
- Använd Soup XL PRO (om den medföljer) till att snabbt mixa soppor etc. direkt i kastrullen. Alternativt kan stavmixern användas.
- **Använd inte soppmixern för att bearbeta råa grönsaker.**

- 1 Ta av knivskydd ⑥ eller ⑪ från mixerskaftet/Soup XL PRO.
- 2 Montera handtaget inuti mixerskaftet ① och vrid moturs för att låsa.
- 3 Koppla in.
- 4 Placera ingredienserna i bägaren eller ett liknande kärl och håll det stadigt. Välj önskad hastighet med hjälp av hastighetsreglaget och tryck ner PÅ/AV-knappen. Välj en låg hastighet för långsammare mixning och för att minimera stänk. Välj en högre hastighet eller turbo för en snabbare mixning. (Se tabellen med rekommenderad användning),
- **Placera bladet i maten innan du sätter igång mixern så undviker du stänk.**

- Låt inte vätskan komma upp över skarven mellan handtaget och mixeraxeln.
  - För bladet genom maten och mosa eller rör om för att blanda maten.
  - **Stavmixern är inte lämpad för att krossa is.**
  - Koppla ur mixern innan rengöring om den satts igen.
- 5 Efter användning släpp PÅ/AV- eller turboknappen. Dra ut stickkontakten och vrid handtaget moturs för att ta av mixerskaftet från handtaget.

### **ⓑ användning av vispen**

- Du kan vispa lätta ingredienser som äggvitor, grädde och pulverdesserter.
  - Vispa inte tjockare blandningar som matfett och socker. Det kan skada vispen.
- 1 Tryck in trådvispen i vispkragen ②.
  - 2 Montera handtaget på vispkragen och vrid moturs för att låsa.
  - 3 Lägg det som ska vispas i en skål.
  - 4 Sätt in stickkontakten och tryck ner PÅ/AV-knappen.  
Om du vill vispa snabbare väljer du en högre hastighet eller turboknappen. Rör vispen medurs. Minska stänk genom att välja en låg hastighet och tryck sedan ner PÅ/AV-knappen
- Låt inte vätskan komma över visptrådarna.
- 5 Släpp PÅ/AV-knappen eller turboknappen när du är klar. Dra ut stickkontakten och demontera enheten.

### **ⓒ användning av mjölkskummare (om sådan medföljer)**

- Tillsätt aldrig ingredienser när apparaten är igång.
  - Var försiktig när du mixar varma vätskor. Bearbeta aldrig mer än 300 ml i bägaren.
  - Bearbeta aldrig mer än 400 ml kall mjölk i bägaren. Den kan svämma över när den skummar och blir tjockare.
- 1 Montera mjölkskummaren på handtaget. Vrid handtaget medurs för att låsa.

- 2 Börja mixa på en låg hastighet och öka hastigheten om så behövs.

### **tips**

- **Undvik stänk genom att placera mjölkskummaren i livsmedlet som ska bearbetas innan du startar den. Botten på mjölkskummaren ska alltid vara helt nedsänkt i ingredienser under bearbetning.**
- Lägg alltid i flytande ingredienser först.
- Frukt ska alltid mosas till en mjuk puré innan den tillsätts.
- Om du använder sirap eller pulverblandningar tillsätt dem precis innan du börjar mixa så att de inte sjunker till botten.
- Bästa resultat uppnås om alla flytande ingredienser är så kalla som möjligt.
- Mjölkdirnkar smakar bättre om mjölken är iskall. Ju kallare mjölk, desto tjockare och skummigare blir drinken. Lättmjölk ger luftigare drink än mellanmjölk eller standardmjölk.
- Försök aldrig att mixa fryst frukt eller att krossa is.
- Dela upp stora glassklumpar innan du skummar.

### **① så här använder du kniven (om sådan medföljer)**

- Du kan hacka kött, grönsaker, örter, bröd, kex och nötter.
  - Hacka inte hårda livsmedel som kaffeböner, iskuber, kryddor eller choklad – då skadar du bladet.
- 1 Avlägsna eventuella ben och skär livsmedlet i 1–2 cm stora kuber.
  - 2 Montera gummiringen ⑱ på botten av knivskålen. (Då glider inte skålen på underlaget).
  - 3 Montera knivbladet över stiftet i skålen ③.
  - 4 Tillsätt livsmedlen.
  - 5 Montera knivlocket, vrid det och lås fast det ④.
  - 6 Montera handtaget på mixeraxeln ⑤. Vrid medurs för att låsa.
  - 7 Sätt i stickkontakten. Håll fast skålen ordentligt. Tryck sedan på Turboknappen. Du kan även trycka kort på Turboknappen för pulsdrift.

- 8 Dra ut stickkontakten och demontera enheten när du är klar.

### **⑤ Masherpro™ (om sådant medföljer)**

#### **viktigt**

- Använd aldrig mostillbehöret i en kastrull som står på direkt värme. Ta alltid bort kastrullen från värmen och låt den svalna något.
  - Slå inte mostillbehöret mot sidan av kärlet medan eller efter att du mosar. Använd en mjuk skrapa för att skrapa bort livsmedelsrester.
  - För bästa resultat när du mosar ska du aldrig fylla en kastrull etc. mer än till hälften med mat.
- 1 Hårda grönsaker och frukt måste kokas och rinna av före mosning.
  - 2 Montera fästet för mostillbehöret på mostillbehörets skaft genom att vrida medurs tills det låses på plats ⑥.
  - 3 Montera antingen det fina eller det grova mosfiltret på mostillbehörets skaft – vrid medurs för att låsa fast ⑦.
  - 4 Vänd mostillbehöret uppochned och montera bladet på navet i mitten. Vrid moturs för att låsa fast ⑧. **(Om fästet inte monterats sitter bladet inte fast ordentligt).**
  - 5 Montera handtaget på mostillbehöret. Vrid medurs för att låsa.
  - 6 Anslut stickkontakten.
  - 7 Placera mostillbehöret i kastrullen, skålen etc. Välj en låg hastighet på hastighetsreglaget och tryck ner PÅ/AV-knappen (se tabellen med rekommenderad användning).
  - För mostillbehöret upp och ned i blandningen tills önskat resultat erhållits.
  - 8 Släpp PÅ/AV-knappen och dra ut stickkontakten när du är klar.
  - 9 Vrid handtaget moturs för att ta av mostillbehöret.
  - 10 Avlägsna bladet från mosenheten genom att vrida det medurs.
  - 11 Vrid moturs för att ta av mosfiltret ⑨ lyft sedan av.

12 Skruva loss fästet från foten på mostillbehörets skaft.

### extra tillbehör (medföljer ej i förpackningen)

Minihackare – se ”service och kundtjänst” för beställning.

## skötsel och rengöring

- Stäng alltid av mixern och dra ut kontakten före rengöring.
- Vidrör inte de vassa bladen.
- Vissa livsmedel, t.ex. morot, kan orsaka missfärgningar i plasten. Det kan gå att avlägsna missfärgningar genom att gnugga med en trasa doppad i vegetabilisk olja.
- Använd inte putsmedel.

## vägledning för skötsel och rengöring

Del	Lämplig för maskindisk 	Doppa inte i vatten. 	Handdisk 	Torka av med en fuktig trasa 
Handtag	x	✓	x	✓
Mixerskaft *	x	✓	x	✓
Soup XL PRO *	x	✓	x	✓
Mjölkskummare *	x	✓	x	✓
Bägere	✓	x	✓	✓
Bägarlock	✓	x	✓	✓
Bägarens gummiringbas	✓	x	✓	✓
Knivskydd	x	x	✓	✓
Knivlock	x	✓	x	✓
Knivskål	✓	x	✓	✓
Knivblad	✓	x	✓	✓
Knivskålslock	✓	x	✓	✓
Knivskålens gummiringbas	✓	x	✓	✓
Vispkrage	x	✓	x	✓
Visp	✓	x	✓	✓
Skaft till mostillbehör	x	✓	x	✓
Blad för mostillbehör	✓	x	✓	✓
Fäste för mostillbehör	x	✓	x	✓
Mostillbehör	✓	x	✓	✓

\* Om vatten kommer in i skaftet, håll av vattnet och låt skaftet torka före användning.

## stavmixerskaft/Soup XL PRO

antingen

- Fyll en del av bägaren eller en liknande behållare med varmt vatten med diskmedel. Sätt i stickkontakten i ett vägguttag, montera sedan handmixerskaftet eller soppmixern och slå på strömmen.
- Dra ut stickkontakten och torka apparaten.  
eller
- Tvätta bladen under rinnande vatten och torka sedan noga.
- **Doppa aldrig i vatten och låt inte vätska tränga in i skaftet. Om vatten kommer in i skaftet, håll av vattnet och låt torka före användning.**
- **Får inte diskas i diskmaskin.**  
**tips för rengöring av mostillbehörets fot/skaft och mosfilter**
- Om ingredienser har torkat fast på mostillbehöret tar du av bladet. Blötlägg bladet och botten av mostillbehörets skaft i varmt vatten så att ingredienserna mjukas upp och lätt kan diskas av.
- **Doppa aldrig skaftet i vatten och låt inte vätska tränga in i skaftet. Skulle vatten tränga in i skaftet, håll av vattnet och låt torka före användning.**  
**viktigt** – låt inte fästet för mostillbehöret bli blött.

## service och kundtjänst

- Om du får problem med att använda apparaten ber vi dig att läsa avsnittet om "problemsökning" i bruksanvisningen eller på [www.kenwoodworld.com](http://www.kenwoodworld.com) innan du ringer kundtjänst.
- Produkten omfattas av en garanti som efterföljer alla lagstadgade bestämmelser vad gäller garanti och konsumenträttigheter i inköpslandet.

- Om din Kenwood-produkt inte fungerar som den ska eller om du upptäcker fel ber vi dig att lämna eller skicka in den till ett godkänt KENWOOD-servicecenter. För aktuell information om närmaste godkända KENWOOD-servicecenter besök [www.kenwoodworld.com](http://www.kenwoodworld.com) eller Kenwoods webbplats för ditt land.
- Konstruerad och utvecklad av Kenwood i Storbritannien.
- Tillverkad i Kina.



## VIKTIG INFORMATION OM HUR PRODUKTEN SKALL KASSERAS I ENLIGHET MED EUROPEISKA DIREKTIV OM AVFALL SOM UTGÖRS AV ELLER INNEHÅLLER ELEKTRISK OCH ELEKTRONISK UTRUSTNING (WEEE)

När produktens livslängd är över får den inte slängas i hushållssoporna. Den kan överlämnas till lokala myndigheters avfallssorteringscentraler eller till en återförsäljare som ger denna service.

När du avfallshanterar en hushållsapparat på rätt sätt undviker du de negativa konsekvenser för miljö och hälsa som kan uppkomma vid felaktig avfallshandling. Du möjliggör även återvinning av materialen vilket innebär en betydande besparing av energi och tillgångar. Produkten är märkt med en överkorsad soptunna på hjul som en påminnelse om att hushållsapparater ska återvinnas separat.

## problemsökningsguide

<b>Problem</b>	<b>Orsak</b>	<b>Lösning</b>
Stavmixern startar inte.	Ingen ström.  Stavmixern är inte ordentligt ihopsatt.	Kontrollera att stavmixern är ansluten till ett vägguttag.  Kontrollera att tillbehöret är säkert låst på handtaget.
Stavmixern börjar sakta ner eller arbetar hårt under bearbetningen.	Vald hastighet är för långsam.  Rekommenderad bearbetningstid har överskridits.	Öka hastigheten.  Använd inte stavmixern längre än 50 sekunder under en 4-minuters period och använd inte vispen längre än 3 minuter under en 10-minuters period.
Mycket skvätt under bearbetning	Vald hastighet är för hög.  Bägaren, skålen eller grytan är för låg eller för liten för ingredienserna som bearbetas.	Börja med en långsammare hastighet och öka hastigheten allteftersom blandningen tjocknar.  Välj ett kärl i lämplig storlek. Placera bladen i blandningen innan apparaten startas.
Mostillbehörets blad går inte att ta av.	Mostillbehörets fäste är inte ordentligt festsatt på mostillbehörets skaft.	Kontrollera att mostillbehörets fäste är festsatt på mostillbehörets skaft.
Handtaget blir varmt under bearbetning.	Apparaten kan ha används under för lång tid.	Låt enheten svalna helt innan den används igen.
Blandningen mixas inte.	Hastigheten kan vara felaktig för ingredienserna som ska mixas.	Öka hastigheten gradvis och mixa till önskat resultat.

# Norsk

**Før du leser dette, brett ut framsiden som viser illustrasjonene**

## sikkerhet

- Les nøye gjennom denne bruksanvisningen og ta vare på den slik at du kan slå opp i den senere.
- Fjern all emballasje og eventuelle merkesedler.
- Hvis støpselet eller ledningen er skadet, må de av sikkerhetshensyn skiftes ut av Kenwood eller et godkjent Kenwood-verksted for å unngå ulykker.
- Du må aldri berøre bladene så lenge støpselet står i kontakten.
- Hold fingrer, hår, klær og redskap unna deler som er i bevegelse.
- Trekk støpselet ut av stikkontakten etter bruk og før du bytter tilbehør.
- Stavmikseren må ikke brukes til varm olje eller varmt fett.
- For sikrest bruk anbefaler vi at varme væsker får avkjøle seg til romtemperatur før miksing.
- Bruk aldri en stavmikser som er skadet. Sørg for å få den overhaldt eller reparert. Se 'service og kundetjeneste'.
- Aldri la motorhåndtaket, ledningen eller støpselet bli våte - du kan få elektrisk støt.
- Ikke la ledningen berøre varme flater eller henge ned hvor barn kan få tak i den.
- Bruk aldri tilbehør/utstyr som ikke er godkjent av produsenten.
- Kople alltid håndmikseren fra strømmen hvis du går fra den, og før du monterer, demonterer eller rengjør den.

- Apparater kan brukes av personer med reduserte fysiske, sensoriske eller mentale evner, eller som mangler erfaring eller kunnskap, hvis de har fått tilsyn eller veiledning om trygg bruk av apparatet og de forstår farene det innebærer.
- Feil bruk av maskinen kan forårsake personskader.
- Dette apparatet må ikke brukes av barn. Hold apparatet og den tilhørende ledningen utenfor barns rekkevidde.
- Barn må ha tilsyn for å sikre at de ikke leker med apparatet.
- Bruk bare apparatet til dets tiltenkte hjemlige bruk. Kenwood frasier seg ethvert ansvar ved feilaktig bruk eller dersom apparatet ikke er brukt i henhold til denne bruksanvisningen
- Merkeeffekten er basert på kuttetilbehøret. Andre tilbehør kan trekke mindre effekt.

### **viktig**

- For å sikre lang levetid på apparatet skal du ikke mikse tunge blandinger med stavmikseren i mer enn 50 sekunder i løpet av en fire minutters periode.
- Ikke bruk vispen eller skumtilbehøret i mer enn 3 minutter i løpet av en periode på 10 minutter.

### **hakkeutstyr**

- Ikke berør de skarpe knivene.
- Fjern hakkekniven før du tømmer bollen.
- Ikke ta av dekselet før hakkekniven har stanset helt.
- Hold alltid hakkekniven etter fingergrepet bort fra skjærekniven, både ved håndtering og rengjøring.



### **før du setter i støpselet**

- Pass på at strømtilførselen stemmer overens med det som står på stavmikseren.
- Dette apparatet overholder EC-forordning 1935/2004 om materialer og gjenstander som er bestemt å komme i kontakt med næringsmidler.

### **før du bruker for første gang**

- Kast knivdekslet fra kutterkniven. Den er kun ment for beskyttelse av kniven under produksjon og transport. Vær forsiktig – knivbladene er svært skarpe.
- Vask delene: se "stell og rengjøring".

## delar

### **stavmikser**

- ① variabel hastighetskontroll
- ② PÅ-knapp
- ③ Turboknapp
- ④ strømhåndtak
- ⑤ mikserskaft med fast "triblade".
- ⑥ knivbeskytter

### **mugge (hvis den medfølger)**

- ⑦ drikkebegerlokk
- ⑧ mugge
- ⑨ gummiringbase

### **Ⓐ SOUP XL PRO (hvis den medfølger)**

- ⑩ soup XL PRO
- ⑪ knivbeskytter

### **Ⓑ visp (hvis den medfølger)**

- ⑫ krage til vispen
- ⑬ stålvisp

### **Ⓒ skumredskap (hvis det medfølger)**

- ⑭ skumredskap

### **Ⓓ hakkekniv (hvis den medfølger)**

- ⑮ hakkedeksel
- ⑯ fingergrep
- ⑰ hakkekniv
- ⑱ bolle
- ⑲ gummiringbase
- ⑳ bollelokk

### **Ⓔ Metal masherpro™ (hvis den medfølger)**

- ㉑ mosekrage
- ㉒ moserskaft
- ㉓ fin skive
- ㉔ grov skive
- ㉕ mosespade

tabell for anbefalt bruk				
<b>Ingrediens/ oppskrift</b>	<b>Beholder</b>	<b>Hastighet</b>	<b>Behandlings- tid *</b>	<b>Maksimal kapasitet</b>
<b>Stavmikser</b>				
Supper	Kjele på 2 liter	Turbo	25 sekunder	1 liter
Majones	Mugge på 1 liter	Turbo	45–60 sekunder	4 egg 600 ml olje
Barnemat	Mugge på 1 liter	Turbo	30–40 sekunder	300 g
Smoothier/ milkshaker	Mugge på 1 liter	Turbo	30 sekunder	800 ml
<b>Soup XL PRO</b>				
Supper	Kjele på 4 liter	Turbo	25 sekunder	2 liter
<b>Visp</b>				
Eggehviter	Stor glassbolle	Turbo	2–3 minutter	4 (150 g)
Fløte	Stor glassbolle	Turbo	2–2 ½ minutter	400 ml

\* Dette er bare veiledende, og kan variere avhengig av oppskriften og ingrediensene som behandles.

## tabell for anbefalt bruk

<b>Ingrediens/ oppskrift</b>	<b>Beholder</b>	<b>Hastighet</b>	<b>Behandlings- tid *</b>	<b>Maksimal kapasitet</b>
<b>Hakkeknivtilbehør</b>				
Kjøtt	Hakkebolle	Turbo	10–15 sekunder	250 g
Urter	Hakkebolle	Turbo	5–10 sekunder	30 g
Nøtter	Hakkebolle	Turbo	10–15 sekunder	200 g
Brød	Hakkebolle	Turbo	5–10 sekunder	1 skive
Løk	Hakkebolle	Puls	–	200 g
Kjeks	Hakkebolle	Turbo	15 sekunder	140 g
Postei	Hakkebolle	Turbo	10–15 sekunder	150 g
Sviskemarinade 50 g Små myke svisker 400 g Flytende honning 35 g Vann  Legg ingrediensene i hakkeknivbollen i rekkefølgen nevnt ovenfor Sett på lokket og la kjøle over natten.	Hakkebolle	Turbo	3 sekunder	485 g
<b>Metal Masher Pro – grov hullskive</b>				
<b>Kokte grønnsaker</b> (poteter, kålrot, gulrøtter og jams)	Stor kjele / stor bolle	minimum	30–40 sekunder	600–800 g
<b>Metal Masher Pro – fin hullskive</b>				
Kokte poteter	Stor kjele / stor bolle	minimum	30–40 sekunder	600–800 g
<b>Myk frukt</b> Bringebær Aprikos	Stor bolle Kjele på 1 liter	minimum minimum	30–40 sekunder 30–40 sekunder	500 g 400 g (myknet i vann)
<b>Skumredskap</b>				
Kald melk	Mugge på 1 liter	minimum	15–20 sekunder	400 ml
Varm melk – varmet i kjele til den småkoker	Mugge på 1 liter	minimum	15–20 sekunder	300 ml
(Kald, skummet melk gir det beste skummet)				
Fruktskum	Mugge på 1 liter	minimum	30 sekunder	(200 g fruktmos + 200 ml vann)

\* Dette er bare veiledende, og kan variere avhengig av oppskriften og ingrediensene som behandles.

### **slik bruker du stavmikseren**

- Du kan blande supper, sauser, milkshakes, majones og barnemat osv.

### **til miksing i muggen (hvis muggen følger med)**

- Sett gummiringbasen ⑨ på bunnen av muggen. (Dette forhindrer at muggen sklir på benken.)
- Ikke fyll muggen mer enn  $\frac{3}{4}$  full.
- Etter behandlingen kan du sette lokket ⑦ på muggen.

### **Merk**

Hvis det ikke følger med muggen skal du velge en beholder av passende størrelse. Vi anbefaler et høyt kar med rette sider og en diameter litt større enn foten på stavmikseren. Slik kan ingrediensene bevege seg, og det er høyt nok til at det ikke spruter.

### **til miksing i gryte**

- For sikrest bruk anbefaler vi at du tar gryten av platen og lar varme væsker avkjøles til romtemperatur før miksing.
- Bruk Soup XL PRO (hvis den følger med) til å lage supper o.l. raskt og direkte i kjelen. Alternativt kan du bruke stavmikseren.

- **Ikke bruk suppeblenderen til å behandle ukokte grønnsaker.**

- 1 Ta av knivbeskytteren ⑥ eller ⑪ fra mikserkraftet /Soup XL PRO.
  - 2 Sett strømhåndtaket inn i mikserkraftet ① og vri medsols for å låse det på plass.
  - 3 Sett i støpselet.
  - 4 Ha maten i muggen eller en lignende beholder, og, mens du holder muggen støtt: Velg ønsket hastighet med den variable hastighetskontrollen og trykk på PÅ-knappen. Velg en lav hastighet hvis du vil mikse langsomt og redusere sprut, og en høyere hastighet eller Turbo for raskere miksing. (Se tabellen for anbefalt bruk.)
- **For å unngå sprut skal du sette kniven ned i maten før du slår på apparatet.**

- Ikke la væsken stå over skillet mellom motorhåndtaket og staven.
- Beveg kniven gjennom maten og bruk en stappe- eller rørebevegelse for å blande alt.

- **Stavmikseren er ikke egnet til å knuse is.**

- Dersom mikseren blokkeres skal du trekke ut støpselet før du renser den.
- 5 Etter bruk slipper du PÅ- eller Turbo-knappen. Trekk ut støpselet og vri strøm-håndtaket motsols for å ta av mikserkraftet fra strømhåndtaket.

### **Ⓑ bruk av visp**

- Du kan vispe lette ingredienser som eggehviter, fløte og pulverdesserter.
- Ikke visp tyngre blandinger, som fett og sukker – dette vil skade vispen.

- 1 Skyv trådvispen inn i mansjettene ②.
- 2 Sett strømhåndtaket inn i kragen til vispen og vri medsols for å låse.
- 3 Ha ingrediensene i en bolle.
- 4 Sett i støpselet og trykk på PÅ-knappen. Hvis du vil vispe raskere, velger du høyere hastighet eller trykker på Turbo-knappen. Beveg vispen medsols. Du kan redusere sprut ved å velge en lav hastighet og trykke på PÅ-knappen.

- Ikke la væsken komme høyere enn trådene i vispen.

- 5 Etter bruk løser du ut PÅ- eller Turboknappen, trekker ut støpselet og tar mikseren fra hverandre.

### **Ⓒ bruk av skumredskapet (hvis det følger med)**

- Du må aldri ha i ingredienser mens apparatet kjører.
- Vær forsiktig når du mikser varme væsker, ikke mikse mer enn 300 ml i muggen.
- Du må ikke mikse mer enn 400 ml kald melk i muggen, ellers kan den flyte over når den skummer og tykner.

- 1 Sett skumredskapskraftet på strømhåndtaket. Vri strømhåndtaket medsols for å låse det på plass.

- 2 Start miksingen med lav hastighet og øk hastigheten om nødvendig.

### hint

- **Unngå sprut ved å plassere skumredskapet i maten som skal behandles før du slår på apparatet. Du må alltid passe på at nederste del av skumredskapet sitter under overflaten av ingrediensene mens det kjører.**
- Du må alltid ha i flytende ingredienser først.
- Du må alltid mose frukt til en jevn mos før den tilsettes.
- Hvis du bruker sirup og pulverblandinger, må du tilsette dem rett før miksingen for å hindre at de synker til bunnen.
- For best mulige resultater må alle flytende ingredienser være kaldest mulig.
- Melkedrikker smaker bedre hvis melken er iskald. Jo kaldere melken er, jo tykkere og mer skummende blir drikken. Skummet melk gir en mer skummende drikk enn lettmeik eller helmelk.
- Du må aldri prøve å mikse fryst frukt eller knuse is.
- Bryt fra hverandre store klumper med iskrem før skumming.

### ① slik bruker du hakkeutstyret (hvis det følger med)

- Du kan hakke kjøtt, grønnsaker, urter, brød, kjeks og nøtter.
  - Ikke hakk harde matvarer som kaffebønner, isterninger, krydder eller sjokolade – du skader kniven.
- 1 Fjern eventuelle bein og skjær maten i terninger på 1–2 cm.
  - 2 Sett gummiringbasen ⑱ på bunnen av hakkebollen. (Dette forhindrer at bollen sklir på benken.)
  - 3 Sett hakkekniven over stifen i bollen ③.
  - 4 Ha i maten.
  - 5 Sett på dekselet, vri og lås ④.
  - 6 Sett strømhåndtaket på hakkedekselet ⑤ – vri medsols for å låse på plass.


- 7 Sett støpselet i kontakten. Hold bollen i ro. Trykk så på Turboknappen. Eller trykk på Turboknappen i korte støt for å få pulsfunksjon.
- 8 Etter bruk skal du trekke støpselet ut av kontakten og ta mikseren fra hverandre.

### ⓔ Metal Masherpro™ (hvis den følger med)

#### viktig

- Ikke bruk moseutstyret i en gryte over direkte varme. Ta alltid gryten av varmen og la den avkjøle seg litt.
  - Ikke bank moseutstyret på siden av kokekaret under eller etter mosing. Bruk en slikkepott til å skrape bort overflødig mat.
  - For best resultater når du moser skal du aldri fylle gryten osv. mer enn halvfull med mat.
- 1 Kok harde grønnsaker og frukt først og hell av vannet før du moser dem.
  - 2 Sett moserkragen på moserskaftet ved å vri medsols til den låses på plass ⑥.
  - 3 Sett enten den grove eller den fine skiven på moserskaftet, vri medsols for å låse på plass ⑦.
  - 4 Snu moseren opp ned, sett skovlene over skaftet i midten og vri motsols for å sikre ⑧. **(Hvis kragen ikke er satt på, vil skovlen ikke kunne settes ordentlig på).**
  - 5 Sett strømhåndtaket på moseutstyret – vri medsols for å låse.
  - 6 Sett støpselet i kontakten.
  - 7 Sett moseutstyret i en kasserolle, bolle eller lignende. Velg en lav hastighet på den variable kontrollen og trykk på PÅ-knappen (se tabellen for anbefalt bruk).
  - Beveg moseutstyret opp og ned mens du mikser til du får resultatet du ønsker.
  - 8 Etter bruk løser du ut PÅ-knappen og trekker ut støpselet.
  - 9 Vri strømhåndtaket motsols og ta av moseutstyret.

10 Fjern spaden fra moseutstyret ved å vri den medsols.

11 Fjern skiven ved å vri motsols  og så løfte den av.

12 Skru løs kragen fra moserskaftet.

### valgfritt tilbehør (følger ikke med i pakken)

Minihakker - se «service og kundetjeneste» for informasjon om bestilling.

## stell og rengjøring

- Slå alltid av strømmen og ta støpselet ut av kontakten før rengjøring.
- Ikke berør de skarpe knivbladene.
- Enkelte matvarer, f.eks. gulrøtter, kan sette farge på plasten. Det kan hjelpe å gni med en klut dyppet i grønnsakolje for å få vekk misfargen.
- Du må ikke bruke slিপemidler.

## veiledning for stell og rengjøring

Del	Kan vaskes i oppvaskmaskin 	Ikke legg i vann 	Håndvask 	Tørk av med en fuktig klut 
Strømhåndtak	x	✓	x	✓
Miskerskaft *	x	✓	x	✓
Soup XL PRO *	x	✓	x	✓
Skumredskap *	x	✓	x	✓
Mugge	✓	x	✓	✓
Muggelokk	✓	x	✓	✓
Gummiring til mugge	✓	x	✓	✓
Knivbeskytter	x	x	✓	✓
Hakkedeksel	x	✓	x	✓
Hakkebolle	✓	x	✓	✓
Hakkekniv	✓	x	✓	✓
Lokk til hakkebolle	✓	x	✓	✓
Gummiring til hakkebolle	✓	x	✓	✓
Krage til visp	x	✓	x	✓
Visp	✓	x	✓	✓
Moserskaft	x	✓	x	✓
Moserskovl	✓	x	✓	✓
Moserkrage	x	✓	x	✓
Moser	✓	x	✓	✓

\* Hvis det kommer vann inn i skaftet, må du tømme det ut og la det tørke før bruk.

## **stavmikserkraft / Soup XL PRO**

enten

- Delvis fyll drikkebeholderen eller en lignende beholder med varmt såpevann. Koble til strømforsyningen og sett inn håndblendeskraftet eller suppeblenderen og slå på.
- Trekk støpselet ut av kontakten og tørk eller
- Vask knivene under rennende vann, og tørk deretter grundig.
- **Du må aldri legge det i vann eller la væske komme inn i skaftet. Hvis det kommer vann inn, må du tømme det ut og la utstyret tørke før bruk.**
- **Ikke vask i oppvaskmaskin. tips til rengjøring av moserfoten/-skaftet og -skivene**
- Hvis matrester har tørket på mosertilbehøret, fjerner du skovlen. Legg skovlen og nederste del av moserskaftet i bløt i varmt vann for å mykne restene og vask så grundig.
- **Du må aldri legge hele moserskaftet under vann eller la væsker komme inn i skaftet. Hvis det kommer vann inn i skaftet, må du tømme det ut og la tørke før du bruker det.**  
**viktig** – ikke la mosekragen bli våt.

## service og kundetjeneste

- Hvis du har problemer med å bruke apparatet ditt, må du sjekke «feilsøkningsveiledningen» i håndboken eller gå til [www.kenwoodworld.com](http://www.kenwoodworld.com) før du kontakter oss for hjelp.
- Vennligst merk at produktet ditt dekkes av en garanti som overholder alle lovforskrifter angående eksisterende garanti- og forbrukerrettigheter i landet der produktet ble kjøpt.

- Hvis Kenwood-produktet ditt har funksjonssvikt eller du finner defekter på det, må du sende eller ta det med til et autorisert KENWOOD-servicesenter. Du finner oppdatert informasjon om hvor ditt nærmeste autoriserte KENWOOD-servicesenter er, på [www.kenwoodworld.com](http://www.kenwoodworld.com) eller på nettstedet for landet ditt.
- Designet og utviklet av Kenwood i Storbritannia.
- Laget i Kina.



## **VIKTIG INFORMASJON OM KORREKT KASTING AV PRODUKTET I HENHOLD TIL EU-DIREKTIVET OM ELEKTRISK OG ELEKTRONISK UTSTYR SOM AVFALL (WEEE)**

På slutten av levetiden må ikke produktet kastes som vanlig avfall. Det må tas med til et lokalt kildesorteringssted eller til en forhandler som tilbyr tjenesten. Ved å avhende husholdningsapparater separat unngås mulige negative konsekvenser for miljø og helse som oppstår som en følge av feil avhending, og gjør at de forskjellige materialene kan gjenvinnes. Dermed blir det betydelige besparelser på energi og ressurser. Som en påminnelse om behovet for å kaste husholdningsapparater separat, er produktet merket med en søppelkasse med kryss over.

## feilsøkingsveiledning

<b>Problem</b>	<b>Årsak</b>	<b>Løsning</b>
Stavmikseren fungerer ikke	Ingen strøm  Stavmikseren er ikke satt sammen korrekt	Sjekk at stavmikseren er satt i støpselet.  Sjekk at tilbehøret er låst på plass på strømhåndtaket.
Stavmikseren sakker farten eller sliter under kjøring.	Hastigheten som er valgt er for lav  Anbefalt driftstid er overskredet.	Øk hastigheten  Øk hastigheten Ikke kjør stavmikseren i mer enn 50 sekunder i løpet av en periode på 4 min. for tunge blandinger, eller vispen og skumredskapet i mer enn 3 min. i løpet av en periode på 10 minutter.
Overdreven sprut under behandling	Hastigheten som er valgt er for høy.  Beholderen, bollen eller kjelen er for lav eller for liten for ingrediensene som behandles.	Velg en lavere hastighet til å begynne med og øk etter hvert som blandingen tykner.  Velg en beholder i riktig størrelse. Plasser knivene i maten før du slår på apparatet.
Moserskovlen kan ikke fjernes fra moseutstyret	Moserkragen er ikke satt på moser-skaftet.	Sjekk at moserkragen er satt på moser-skaftet.
Strømhåndtaket blir varmt under drift.	Det er mulig at enheten er blitt brukt over en lang periode.	La enheten kjøle seg helt ned før du bruker den igjen.
Blandingen mikses ikke	Det er mulig at hastigheten ikke er egnet for ingrediensene du behandler.	Øk hastigheten gradvis og miks til du oppnår ønsket resultat.

## turvallisuus

- Lue nämä ohjeet huolella ja säilytä ne myöhempää tarvetta varten.
- Poista pakkauksen osat ja mahdolliset tarrat.
- Jos virtajohto tai pistoke on vaurioitunut, sen saa vaihtaa ainoastaan Kenwood tai Kenwoodin valtuutettu huoltoedustaja vaarojen välttämiseksi.
- Älä koskaan kosketa teriä, jos laitteen pistoke on kytketty pistorasiaan.
- Älä työnnä sormia, hiuksia, vaatteita tai työvälineitä laitteen liikkuviin osiin.
- Irrota pistoke pistorasiasta aina käytön jälkeen ja ennen osien vaihtoa.
- Älä koskaan sekoita sauvasekoittimella kuumaa rasvaa tai öljyä.
- Turvallisuussyistä on suositeltavaa antaa kuumien nesteiden jäähtyä huoneenlämpöiseksi ennen niiden tehosekoittamista.
- Älä koskaan käytä vioittunutta sauvasekoitinta. Vie se tarkastettavaksi tai korjattavaksi: katso ohjeet kohdasta 'huolto ja asiakaspalvelu'.
- Sähköiskuvaaran takia älä koskaan upota sauvasekoittimen sähköosaa veteen tai anna sen virtajohdon tai pistokkeen kastua.
- Älä koskaan anna virtajohdon koskettaa kuumia pintoja. Äläkä koskaan anna virtajohdon roikkua, sillä lapset voivat tarttua siihen.
- Älä koskaan käytä sellaista lisälaitetta, jota ei ole hankittu valtuutetulta Kenwood-kauppiaalta.



- Irrota tehosekoittimen pistoke pistorasiasta, jos laite jätetään ilman valvonta sekä ennen asentamista, irrottamista tai puhdistamista.
- Fyysisesti, sensorisesti tai henkisesti rajoittuneet tai kokemattomat henkilöt voivat käyttää laitteita, jos heidät on koulutettu käyttämään niitä turvallisesti ja he ymmärtävät käyttämisen aiheuttamat vaarat.
- Laitteen väärinkäyttö voi aiheuttaa loukkaantumisen.
- Tätä laitetta ei saa antaa lasten käyttöön. Pidä laite ja sen virtajohto poissa lasten ulottuvilta.
- Lapsia tulee pitää silmällä sen varmistamiseksi, että he eivät leiki laitteella.
- Käytä laitetta ainoastaan sille tarkoitettuun kotitalouskäyttöön. Kenwood-yhtiö ei ole korvausvelvollinen, jos laitetta on käytetty väärin tai näitä ohjeita ei ole noudatettu.
- Nimellisvirta perustuu leikkurin virrankulutukseen. Muut varusteet voivat kuluttaa vähemmän virtaa.

### **tärkeää**

- Voit pidentää laitteen ikää käyttämällä sitä korkeintaan 50 sekuntia kerrallaan neljän minuutin ajanjakson aikana, jos seos on paksua.
- Älä käytä vatkaista tai vaahdotustyövälineitä kauemmin kuin 3 minuuttia 10 minuutin ajanjakson aikana.

### **leikkuriosa**

- Älä koske teräviin teriin.
- Poista terä ennen kulhon tyhjentämistä.
- Älä poista suojusta ennen kuin terä on pysähtynyt kokonaan.
- Kun käsittelet tai puhdistat terää, tartu aina sormilla kohtaan, joka on kaukana leikkuuterästä.

## ennen liittämistä verkkovirtaan

- Varmista, että virransyöttö on sama kuin tehosekoittimeen merkitty.
- Tämä laite täyttää EU-asetuksen 1935/2004 elintarvikkeiden kanssa kosketuksiin joutuvista materiaaleista ja tarvikkeista.

## ennen ensimmäistä käyttöä

- Heitä leikkuriterän suojus pois, sillä se on asennettu suojaamaan terää vain laitteen valmistuksen ja kuljetuksen ajaksi. Ole varovainen, leikkuriterät ovat hyvin teräviä.
- Osien peseminen: lisätietoja on Hoito ja puhdistaminen -kohdassa.

## selite

### tehosekoitin

- ① nopeudensäädin
- ② ON-painiketta
- ③ turbopainike
- ④ moottorios
- ⑤ tehosekoittimen varsi, jossa kiinteä triblade-terä
- ⑥ teräsuojus

### sekoitusastia (jos sisältyy toimitukseen)

- ⑦ sekoitusastian kansi
- ⑧ sekoitusastia
- ⑨ kumirenkaalla varustettu jalusta

### Ⓐ SOUP XL PRO (jos sisältyy toimitukseen)

- ⑩ soup XL PRO
- ⑪ teräsuojus

### Ⓑ vatkain (jos sisältyy toimitukseen)

- ⑫ vispilän jalusta
- ⑬ lankavispilä

### Ⓒ vaahdotustyöväline (jos sisältyy toimitukseen)

- ⑭ vaahdotustyöväline

### Ⓓ hienontamislaite (jos sisältyy toimitukseen)

- ⑮ hienonnuslaitteen kansi
- ⑯ tarttumakohta
- ⑰ hienonnusterä
- ⑱ kulho
- ⑲ kumirenkaalla varustettu jalusta
- ⑳ kulhon kansi

### Ⓔ Metallinen masherpro™ (jos sisältyy toimitukseen)

- ㉑ survimen jalusta
- ㉒ survimen varsi
- ㉓ hieno siivilä
- ㉔ karkea siivilä
- ㉕ survin

käyttösuositustaulukko				
Aineosa/ruokaohje	Astia	Nopeus	Käsittelyaika*	Suurin kapasiteetti
<b>Tehosekoitin</b>				
Keitot	2 litran kattila	Turbo	25 sekuntia	1 litra
Majoneesi	1 litran kulho	Turbo	45-60 sekuntia	4 kananmunaa 600 ml öljyä
Vauvanruoka	1 litran kulho	Turbo	30-40 sekuntia	300 g
Smoothiet/ pirtelöt	1 litran kulho	Turbo	30 sekuntia	800 ml
<b>Soup XL PRO</b>				
Keitot	4 litran kattila	Turbo	25 sekuntia	2 litraa
<b>Vispilä</b>				
Munanvalkuaiset	Suuri lasikulho	Turbo	2-3 minuuttia	4 (150 g)
Kerma	Suuri lasikulho	Turbo	2-2 ½ minuuttia	400 ml

\* Tämä on vain suositus. Aika vaihtelee ruokaohjeen ja käsiteltävien aineosien mukaan.

# käyttösuositustaulukko

Aineosa/ruokaohje	Astia	Nopeus	Käsittelyaika *	Suurin kapasiteetti
<b>Leikkuriosa</b>				
Liha	Leikkurikulho	Turbo	10-15 sekuntia	250 g
Yrtit	Leikkurikulho	Turbo	5-10 sekuntia	30 g
Pähkinät	Leikkurikulho	Turbo	10-15 sekuntia	200 g
Leipä	Leikkurikulho	Turbo	5-10 sekuntia	1 skiva
Sipulit	Leikkurikulho	Sykäys	–	200 g
Keksit	Leikkurikulho	Turbo	15 sekuntia	140 g
Patee	Leikkurikulho	Turbo	5-10 sekuntia	150 g
Luumumarinadi 50 g Pieniä pehmeitä luumuja 400 g Juoksevaa hunajaa 35 g Vettä  Laita ainekset leikkurikulhoon ohjeessa mainitussa järjestyksessä. Peitä kulho kannella. Anna tekeytyä jääkaapissa yön yli.	Leikkurikulho	Turbo	3 sekuntia	485 g
<b>Metal Masher Pro – karkea siivilä</b>				
<b>Keitetyt vihannekset</b> (perunat, lanttu, porkkanat, jamssi)	Suuri kattila/ Suuri kulho	vähintään	30-40 sekuntia	600-800 g
<b>Metal Masher Pro – hieno siivilä</b>				
Keitetyt perunat	Suuri kattila / suuri kulho	vähintään	30-40 sekuntia	600-800 g
<b>Pehmeät hedelmät</b> Vadelmat Aprikoosi	Suuri kulho 1 litran kattila	vähintään vähintään	30-40 sekuntia 30-40 sekuntia	500 g 400 g (liotettu vedessä)
<b>Vaahdotustyöväline</b>				
Kylmä maito	1 litran kulho	vähintään	15-20 sekuntia	400 ml
Lämmin maito, kuumennettu kattilassa poreilevaksi	1 litran kulho	vähintään	15-20 sekuntia	300 ml
(Kylmästä kevytmaidosta saa parasta vaahtoa.)				
Hedelmäpohjainen vaahto	1 litran kulho	vähintään	30 sekuntia	(200 g hedelmäpyreetä + 200 ml vettä)

\* Tämä on vain suositus. Aika vaihtelee ruokaohjeen ja käsiteltävien aineosien mukaan.

## tehosekoittimen käyttäminen

- Sekoittimella voit valmistaa keittoja, kastikkeita, maitopirtelöitä, majoneesia ja vauvanruokaa.

### sekoitusastiasa sekoittaminen (jos sekoitusastia sisältyy toimitukseen)

- Kiinnitä kumirenkaalla varustettu jalusta ⑨ sekoitusastian pohjaan. Se estää astiaa liukumasta työskentelytasolla.
- Älä täytä sekoitusastiaa enemmän kuin  $\frac{2}{3}$ .
- Sekoittamisen jälkeen voit asettaa kannen kulhon ⑦ päälle.

### Huomautus

Jos laitteen mukana ei ole toimitettu sekoitusastiaa, valitse sopivan kokoinen astia. On suositeltavaa käyttää korkeaa suorareunaista astiaa, jonka läpimitta on hieman sauvasekoittimen alaosaa suurempi. Tällöin aineosat pääsevät liikkumaan mutta ne eivät roisku.

## tehosekoittimen käyttäminen kattilassa

- On turvallisinta ottaa kattila pois liedeltä ja antaa kuumien nesteiden jäähtyä huoneenlämpöiseksi ennen sekoittamista.
- Voit soseuttaa esimerkiksi keitot nopeasti kattilassa XL PRON avulla (jos sisältyy toimitukseen). Voit käyttää myös sauvasekoitinta.
- **Älä käsittele kypsentämättömiä vihanneksia keittosekoittimen avulla.**

- 1 Irrota teräsuojus ⑥ tai ⑪ XL PRON sekoitus-/keittovarren päästä.
- 2 Kiinnitä moottoriyksikkö sekoittimen varteen ① ja lukitse kääntämällä myötäpäivään.
- 3 Kytke virta.
- 4 Aseta ruoka kaatonokalliseen astiaan. Pidä sitä paikallaan. Valitse haluamasi nopeus säätimen avulla ja paina ON-painiketta. Käytä hitaammassa sekoittamisessa hitaampaa nopeutta roiskumisen vähentämiseksi ja suurempaa nopeutta tai turboa nopeammassa

sekoittamisessa. (Lisätietoja on suositustaulukossa.)

### • Työnnä terä ruokaan ennen laitteen käynnistämistä, jotta vältät roiskeet.

- Neste ei saa ylittää sauvasekoittimen varren ja sähköosan liitosta.
- Siirtele terää ruoassa nuijivalla tai sekoittavalla liikkeellä, jotta lopputuloksesta tulee tasainen.
- **Tämä tehosekoitin ei sovellu jään murskaamiseen.**
- Jos tehosekoitin juuttuu paikoilleen, irrota pistoke pistorasiasta ennen puhdistamista.
- 5 Vapauta ON- tai turbopainike käyttämisen jälkeen. Irrota pistoke pistorasiasta. Irrota sauvasekoittimen varsi moottoriosasta kääntämällä sitä.

### ⓑ vatkaimen käyttö

- Voit vatkata kevyitä aineosia, kuten munanvalkuaisia, kermaa ja pikajälkiruokia.
- Älä sekoita tai vatkaa raskaita aineksia, kuten rasvaa ja sokeria. Muutoin vispilä vaurioituu.
- 1 Työnnä lankavatkain vatkaimen kiinnitysosaan ②.
- 2 Kiinnitä moottorios vispilän kaulukseen ja lukitse kääntämällä myötäpäivään.
- 3 Laita vatkattavat aineet kulhoon.
- 4 Työnnä pistoke pistorasiaan ja paina ON-painiketta. Voit vatkata nopeammin valitsemalla suuremman nopeuden tai painamalla Turbo-painiketta. Siirrä vispilää myötäpäivään. Voit vähentää roiskumista valitsemalla hiljaisen nopeuden ja painamalla ON-painiketta.
- Vatkattava neste ei saa nousta lankavatkaimen yläpuolelle.
- 5 Vapauta ON- tai turbopainike käyttämisen jälkeen, irrota pistoke pistorasiasta ja irrota laitteen osat toisistaan.

### ⓒ vaahdotustyövälineen käyttäminen (jos sisältyy toimitukseen)

- Älä koskaan lisää aineosia laitteen ollessa toiminnassa.

- Ole varovainen, jos sekoitat kuumaa nestettä. Käsittele enintään 3 dl nestettä kerrallaan.
- Käsittele kerrallaan enintään 400 ml kylmää maitoa. Muutoin maito voi tulla astian reunojen yli vaahdotuessaan ja paksuuntuessaan.

- 1 Kiinnitä vaahdotustyövälineen varsi moottoriyksikköön. Lukitse kääntämällä myötäpäivään siten.
- 2 Aloita vaahdottaminen alhaisella nopeudella. Lisää nopeutta tarvittaessa.

### **vihjeitä**

- **Työnnä vaahdotustyöväline ruokaan ennen laitteen käynnistämistä, jotta vältät roiskeet. Varmista, että neste peittää vaahdotustyövälineen pohjan kokonaan vaahdottamisen aikana.**

- Lisää nestemäiset aineosat ensin.
- Soseuta hedelmät aina ennen lisäämistä.
- Jos käytät siirappia tai jauhomaisia aineksia, lisää ne juuri ennen vatkaamista, jotta ne eivät jää pohjalle.
- Kaikkien nestemäisten aineiden on oltava mahdollisimman kylmiä parhaiden tulosten saavuttamiseksi.
- Maitojuomat maistuvat paremmilta, jos maito on jääkylmää. Mitä kylmempi maito, sitä paksumpi ja vaahdomaisempi juoma. Rasvaton maito tekee juomasta vaahdomaisempaa kuin kevyt- tai täysmaito.
- Älä yritä sekoittaa pakastehedelmiä tai murskata jäätä.
- Pilko suuret jäätelöpalat pienemmiksi ennen vaahdottamista.

### **① hienontamislaitteen käyttäminen (jos sisältyy toimitukseen)**

- Voit hienontaa lihaa, vihanneksia, yrttejä, leipää, keksejä tai pähkinöitä.
  - Älä hienonna kovia ruoka-aineita, kuten kahvipapuja, jääkuutioita, mausteita tai suklaata. Muutoin terä vaurioituu.
- 1 Poista luut ja leikkaa ruoka-aineet


- 1–2 cm:n kuutioiksi.
- 2 Laita kumirenkaalla varustettu jalusta ⑱ hienonnusastian pohjaan. Tämä estää sekoitusastian liikkumasta työtasolla.
- 3 Kiinnitä hienonnusterä kulhon nastaan ③.
- 4 Lisää ruoka.
- 5 Aseta kansi paikalleen. Lukitse kääntämällä ④.
- 6 Kiinnitä moottoriyksikkö hienonnuslaitteen kanteen ⑤. Lukitse kääntämällä myötäpäivään.
- 7 Työnnä pistoke pistorasiaan. Pitele kulhoa tukevasti. Paina Turbopainiketta. Voit käyttää sykäystoimintoa painelemalla Turbopainiketta.
- 8 Irrota pistoke pistorasiasta käytön jälkeen ja pura laite.

### **Ⓔ Metallinen Masherpro™ (jos sisältyy toimitukseen)**

#### **tärkeää**

- Älä käytä survinta kattilassa liedellä. Nosta kattila pois liedeltä ja anna sen jäähtyä hieman.
  - Älä anna survimen osua keittoastiaan survomisen aikana tai sen jälkeen. Irrota ruoka siitä kaapimen avulla.
  - Saat parhaat survontatulokset, kun esimerkiksi kattila on korkeintaan puoliiksi täynnä.
- 1 Keitä kovat vihannekset ja hedelmät. Valuta keitinvesi pois ennen survomista.
  - 2 Sovita survimen kauluksen varsi kääntämällä sitä myötäpäivään, kunnes se lukittuu paikalleen ⑥.
  - 3 Kiinnitä survimen varteen karkea tai hieno siivilä. Lukitse kääntämällä myötäpäivään ⑦.
  - 4 Käännä survin ylösalaisin. Sovita survova osa keskustaan ja käännä sitä vastapäivään ⑧.
- (Jos kaulus ei ole paikoillaan, survova osa ei kiinnity oikein).**
- 5 Kiinnitä moottoriossa survimeen ja lukitse kääntämällä myötäpäivään.
  - 6 Työnnä pistoke pistorasiaan.
  - 7 Aseta survin esimerkiksi kattilaan tai kulhoon.

Valitse hiljainen nopeus säätimen avulla ja paina ON-painiketta. Lisätietoja on käyttösuositustaulukossa.

- Nostele ja painele survinta, kunnes haluttu tulos on saavutettu.
- 8 Vapauta ON-painike käyttämisen jälkeen ja irrota pistoke pistorasiasta.
- 9 Käännä moottoriyksikköä vastapäivään ja irrota survin.
- 10 Irrota survova osa kääntämällä myötäpäivään.
- 11 Irrota siivilä kääntämällä vastapäivään  ja nostamalla irti.
- 12 Irrota kaulus survimen varresta.

### **lisäsovitin (jos sisältyy toimitukseen)**

Monitoimimylly: lisätietoja on huolto ja asiakaspalvelu -kohdassa.

## hoitaminen ja puhdistaminen

- Ennen puhdistusta katkaise aina virta ja irrota pistoke pistorasiasta.
- Älä koske teräviin teriin.
- Tietty ruoka-aineet, kuten porkkana, voivat värjätä muovia. Voit poistaa värjäymän hankaamalla sitä kasviöljyyn kastetulla kankaalla.
- Älä käytä hankaavia puhdistusaineita.

## hoito- ja puhdistusohje

Osa	Voidaan pestä astianpesukoneessa. 	Ei saa upottaa veteen. 	Käsinpesu 	Pyyhi kostealla liinalla. 
Moottoriosa	x	✓	x	✓
Sekoitinvarsi *	x	✓	x	✓
Soup XL PRO *	x	✓	x	✓
Vaahdotustyöväline *	x	✓	x	✓
Astia	✓	x	✓	✓
Astian kansi	✓	x	✓	✓
Astian kumirenkaalla varustettu jalusta	✓	x	✓	✓
Terän suojuus	x	x	✓	✓
Leikkurin kansi	x	✓	x	✓
Leikkurikulho	✓	x	✓	✓
Hienonnusterä	✓	x	✓	✓
Leikkurikulhon kansi	✓	x	✓	✓
Leikkurikulhon kumirenkaalla varustettu jalusta	✓	x	✓	✓
Vispilän jalusta	x	✓	x	✓
Vispilä	✓	x	✓	✓
Survimen varsi	x	✓	x	✓
Survin	✓	x	✓	✓
Survimen jalusta	x	✓	x	✓
Survin	✓	x	✓	✓

\* Jos sisälle pääsee vettä, tyhjennä ja anna kuivua ennen käyttämistä.

## Tehosekoittimen varsi / soup XL PRO

joko

- Täytä sekoitusastia tai vastaava astia lämpimällä vedellä, jossa on astianpesuainetta. Työnnä pistoke sähköpistorasiaan, kiinnitä sauvasekoittimen varsi tai keittosekoitin ja kytke virta.
- Irrota pistoke pistorasiasta ja kuivaa.  
tai
- Pese terät juoksevan veden alla ja kuivaa perusteellisesti.
- **Älä upota vartta veteen, äläkä päästä nestettä sen sisään. Jos sisälle pääsee vettä, tyhjennä ja anna kuivua ennen käyttämistä.**
- **Ei saa pestä astianpesukoneessa. survimen jalkaosan/varren ja siivilöiden puhdistusvihjeitä**
- Jos ruokaa on päässyt kuivumaan survimeen, irrota survova osa. Liota survovaa osaa ja survimen varren pohjaosaa lämpimässä vedessä, jotta lika pehmenee. Pese perusteellisesti.
- **Älä upota survimen vartta veteen, äläkä päästä nestettä sen sisään. Jos sisälle pääsee vettä, tyhjennä ja anna kuivua ennen käyttämistä.**  
**tärkeää:** älä anna survimen jalustan kastua.

## huolto ja asiakaspalvelu

- Jos laitteen käyttämisen aikana ilmenee ongelmia, katso lisätietoja käyttöohjeen ongelmanratkaisuohteista tai siirry osoitteeseen [www.kenwoodworld.com](http://www.kenwoodworld.com) ennen avun pyytämistä.
- Tuotteesi takuu koostuu sen varsinaisesta takuusta ja ostomaan kuluttajansuojasta.
- Jos Kenwood-tuotteesi vikaantuu tai siihen tulee toimintahäiriö, toimita tai lähetä se valtuutettuun KENWOOD-huoltokorjamaan.

Löydät lähimmän valtuutetun KENWOOD-huoltokorjaamon tiedot osoitteesta [visit www.kenwoodworld.com](http://www.kenwoodworld.com) tai maakohtaisesta sivustosta.

- Kenwood on suunnitellut ja muotoillut Iso-Britanniassa.
- Valmistettu Kiinassa.



## TÄRKEITÄ TIETOJA TUOTTEEN HÄVITTÄMISEKSI OIKEIN SÄHKÖ- JA ELEKTRONIIKKALAITEROMUSTA ANNETUN ASETUKSEN MUKAISESTI (WEEE)

Tuotetta ei saa hävittää yhdessä tavallisten kotitalousjätteiden kanssa sen lopullisen käytöstä poiston yhteydessä.

Vie se paikallisten viranomaisten hyväksymään kierrätyskeskukseen tai anna se jälleenmyyjän hävitettäväksi, mikäli kyseinen palvelu kuuluu jälleenmyyjän toimialaan. Suojelet luontoa ja vältty virheellisen tai väärän romutuksen aiheuttamilta terveysriskeiltä, mikäli hävität kodinkoneen erillään muista jätteistä. Näin myös kodinkoneen sisältämät kierrätettävät materiaalit voidaan kerätä talteen, jolloin säästät energiaa ja luonnonvaroja.

Tuotteessa on ristillä peitetty roskasäiliön merkki, jonka tarkoituksena on muistuttaa että kodinkoneet on hävitettävä erikseen muista kotitalousjätteistä.

## ongelmanratkaisu

<b>Ongelma</b>	<b>Syy</b>	<b>Ratkaisu</b>
Tehosekoitin ei toimi.	Ei virtaa.  Tehosekoitinta ei ole koottu oikein.	Tarkista, onko tehosekoittimen pistoke pistorasiassa.  Tarkista, onko varusteet kiinnitetty moottoriosaan kunnolla.
Tehosekoitin toimii hitaasti tai työläästi.	Valittu nopeus on liian alhainen.  Suositeltu käyttöaika on ylitetty.	Lisää nopeutta  Käytä tehosekoitinta enintään 50 sekuntia 4 minuutin aikana raskaalle seokselle tai vatkaista ja vaahdotustyökäluu 3 minuuttia 10 minuutin aikana.
Esiintyy runsasta roiskumista.	On valittu liian suuri nopeus.  Astia, kulho tai kattila on liian kapea tai pieni aineksien käsittelemiseksi.	Valitse aluksi hidas nopeus. Kun seos paksunee, lisää nopeutta.  Valitse oikeankokoinen astia. Työnnä terät ruokaan ennen laitteen käynnistämistä.
Survinta ei voi irrottaa.	Survimen kaulusta ei ole kiinnitetty survimen varteen.	Varmista, että survimen kaulus on kiinnitetty survimen varteen.
Moottoriyksikkö kuumenee käytön aikana.	Laitetta on käytetty yhtäjaksoisesti pitkään.	Anna laitteen jäähtyä ennen käyttämisen jatkamista.
Seos ei sekoitu.	Nopeutta ei ehkä ole valittu oikein.	Lisää nopeutta ja sekoita, kunnes haluttu tulos on saavutettu.



# Türkçe

Okumaya başlamadan önce ön kapağı açınız ve açıklayıcı resimlere bakınız

## güvenlik

- Bu talimatları dikkatle okuyun ve gelecekteki kullanımlar için saklayın.
- Tüm ambalajları ve etiketleri çıkartın.
- Fiş veya kablo hasar görürse, güvenlik nedeniyle, tehlikeye yol açmaması için Kenwood ya da yetkili bir Kenwood tamircisi tarafından değiştirilmelidir.
- Aygıtın elektrik fişi prize takılıyken bıçaklara dokunmayınız.
- Parmaklarınızı, saçınızı, giysilerinizi ve mutfak araç ve gereçlerini aygıtın hareketli parçalarından uzak tutunuz.
- Aygıtı kullandıktan sonra ve ek parça takmadan önce elektrik fişini prizden çekiniz.
- Hiçbir zaman bitkisel ya da hayvansal yağları sıcakken karıştırmayınız.
- En güvenli kullanım için, sıcak sıvıları blenderdan geçirmeden önce oda sıcaklığına soğumasını bekleyin.
- Hasarlı el karıştırıcılarını kesinlikle kullanmayınız. Aygıtı onarımcıya götürüp denetimden geçiriniz ya da onartınız. Bu konuda 'servis ve müşteri hizmetleri' bölümünü okuyunuz.
- Aygıtın güç kolunu sudan uzak tutunuz. Aygıtın elektrik kordonunu ve prizini ıslatmayınız. Aksi halde cereyana kapılabilirsiniz.
- Aygıtın elektrik kordonunu kesinlikle sıcak yüzeylere değdirmeyiniz ya da çocukların çekebileceği biçimde sarkıtmayınız.
- Kullanılması yetkili üretici tarafından

onaylanmamış ek parçaları kesinlikle kullanmayınız.

- Başıboş bırakıldıysa ve monte, demonte edilmeden ve temizlenmeden önce daima el blenderını kaynaktan ayırın.
- Bu cihaz, fiziki, algılama ya da zihinsel kapasiteleri yetersiz kişiler tarafından ya da yeterli deneyimi olmayan kişilerce gözetim altında olmaları ve cihazın güvenli şekilde kullanımına ilişkin talimatları almaları ve olası tehlikeleri anlamaları şartıyla kullanılabilir.
- Cihazın hatalı kullanımı yaralanmaya neden olabilir.
- Bu cihaz çocuklar tarafından kullanılmamalıdır. Cihazı ve kordonunu çocukların erişemeyeceği yerde tutun.
- Çocuklar cihazla oynamamaları gerektiği konusunda bilgilendirilmelidir.
- Bu cihazı sadece iç mekanlarda kullanım alanının olduğu yerlerde kullanın. Kenwood, cihaz uygunsuz kullanımlara maruz kaldığı ya da bu talimatlara uyulmadığı takdirde hiç bir sorumluluk kabul etmez.
- Nominal güç doğrayıcı eklentisini baz almaktadır. Diğer eklentiler daha az güç çekebilir.

### **önemli**

- Yoğun karışımlarda makinenizin uzun ömürlü olmasını sağlamak için, blenderı herhangi bir dört dakikalık periyotta 50 saniyeden daha uzun çalıştırmayın.
- Çırpma veya köpürtücü/köpürtme eklentilerini herhangi bir 10 dakikalık periyotta 3 dakikadan uzun süre kullanmayın.

## doğrayıcı eki

- Keskin bıçaklara dokunmayın.
- Kaseyi boşaltmadan önce doğrayıcı bıçağı çıkartın.
- Doğrayıcı bıçak tamamen durmadan asla kapağı açmayın.
- Hem kullanım hem de temizlik esnasında doğrayıcı bıçağı sadece tutma yerinden tutun, bıçak kısmına dokunmayın.

### fişe takmadan önce

- Elektrik kaynağınızın el blenderı üzerinde gösterilen ile aynı olduğundan emin olun.
- Bu cihaz gıda ile temas eden malzemeler ve maddeler ile ilgili EC 1935/2004 Yönetmeliğine uygundur.

### ilk Kullanımdan Önce

- Doğrayıcı bıçak üzerindeki bıçak koruyucuyu atabilirsiniz, bu koruyucunun amacı sadece üretim ve nakliye esnasında bıçakları korumaktır. Bıçaklar son derece keskin olduğu için dikkatli olun.
- Parçaları yıkayın: bkz. 'bakım ve temizlik'.

## parçalar

### el blenderı

- 1 değişken hız kontrolü
- 2 AÇIK düğmesi
- 3 Turbo düğmesi
- 4 güç tutamağı
- 5 sabit triblade blender mili.
- 6 bıçak kapağı

### kap (varsa)

- 7 kap kapağı
- 8 kap
- 9 kauçuk halka taban
- (A) SOUP XL PRO (varsa)
- 10 soup XL PRO
- 11 bıçak kapağı

### (B) çırpıcı (varsa)

- 12 çırpma halkası
- 13 tel çırpıcı

### (C) köpürtücü/köpürtme aleti (varsa)

- 14 köpürtücü/köpürtme aleti

### (D) doğrayıcı (varsa)

- 15 doğrayıcı kapağı
- 16 tutma yeri
- 17 doğrayıcı bıçak
- 18 kase
- 19 kauçuk halka taban
- 20 kase kapağı

### (E) Metal masherpro™ (varsa)

- 21 ezici halkası
- 22 ezici mili
- 23 ince elek
- 24 kalın elek
- 25 ezici küreği

## tavsiye edilen kullanım tablosu

Malzeme/ tarif	Kap	Hız	İşleme Süresi *	Maks Kapasite
<b>El blenderı</b>				
Çorbalar	2 litre sos tenceresi	Turbo	25 san.	1 litre
Mayonez	1 litrelik kap	Turbo	45-60 san	4 Yumurta 600mls Yağ
Bebek Maması	1 litrelik kap	Turbo	30-40 san	300g
Smoothieler/ Milkshakerler	1 litrelik kap	Turbo	30 san.	800ml

\* Bu sadece bilgi amaçlıdır ve işlenmekte olan tam tarife ve malzemelere bağlı olarak farklılık gösterebilir.

## tavsiye edilen kullanım tablosu

Malzeme/ tarif	Kap	Hız	İşleme Süresi *	Maks Kapasite
<b>Soup XL PRO</b>				
Çorbalar	4 litre sos tenceresi	Turbo	25 san.	2 litre
<b>Çırpma</b>				
Yumurta beyazları	Büyük cam kase	Turbo	2-3 dak	4 (150g)
Krema	Büyük cam kase	Turbo	2-2 ½ dak	400ml
<b>Doğrayıcı eki</b>				
Et	Doğrayıcı kasesi	Turbo	10-15 san	250g
Bitkiler	Doğrayıcı kasesi	Turbo	5-10 san	30g
Ceviz	Doğrayıcı kasesi	Turbo	10-15 san	200g
Ekmek	Doğrayıcı kasesi	Turbo	5-10 san	1 dilim
Soğan	Doğrayıcı kasesi	Puls	–	200g
Bisküvitler	Doğrayıcı kasesi	Turbo	15 san.	140g
Pate	Doğrayıcı kasesi	Turbo	10-15 san	150g
Kuru erik marinatı 50g Küçük yumuşak erik 400g Akışkan Bal 35g Su  Malzemeleri doğrayıcı kasesine yukarıda belirtilen sıra ile ekleyin. Kapağı takın ve gece boyunca buzdolabında bekletin.	Doğrayıcı kasesi	Turbo	3 san	485g
<b>Metal Masher Pro – Kalın Elek</b>				
<b>Pişmiş sebzeler</b> (patates, şalgam, havuc ve yer elması)	Büyük sos tenceresi/ Büyük kasesi	minimum	30-40 san	600-800g
<b>Metal Masher Pro – İnce Elek</b>				
Pişmiş Patatesler	Büyük sos tenceresi/ Büyük kasesi	minimum	30-40 san	600-800g
<b>Yumuşak Meyveler</b> Ahududu Kaysı	Büyük kasesi 1 litre sos tenceresi	minimum minimum	30-40 san 30-40 san	500g 400g (suda yumuşatılmış)
<b>Köpürtücü/köpürtme Aleti</b>				
Soğuk Süt	1 litrelik kap	minimum	15-20 san	400ml
Ilık, Süt – kaynayana kadar sos tenceresinde ısıtılmış	1 litrelik kap	minimum	15-20 san	300ml
(Soğuk yağsız süt en iyi köpüğü üretir)				
Meyve bazlı köpük	1 litrelik kap	minimum	30 san.	(200g Meyve Püresi + 200ml su)

\* Bu sadece bilgi amaçlıdır ve işlenmekte olan tam tarife ve malzemelere bağlı olarak farklılık gösterebilir.

## el blenderinin kullanımı

- Çorbaları, sosları, milk shake'leri, mayonezi ve bebek mamalarını karıştırabilirsiniz.

## kapta kullanmak için (kap sağlanmışsa)

- Kauçuk halka tabanı ⑨ kabın altına yerleştirin. (Bu kabın çalışma tezgahında kaymasını önler).
- Kabı 2/3 miktardan fazla doldurmayın.
- Karıştırdıktan sonra, kapağı ⑦ kabın üzerine takabilirsiniz.

### Not:

Eğer paketinizde kap sağlanmamışsa, uygun boyutta bir kap seçin. Uzun, düz kenarlı ve çapı el blenderinin çapından çok az daha büyük kapları kullanmanızı öneririz, bu şekilde blenderi kullandığınızda malzemeler hareket edebilir ancak etrafa sıçramazlar.

## blenderi sos tavasında kullanmak için

- En güvenli kullanım için, sos tavasını ocaktan alın ve sıcak sıvıları blenderdan geçirmeden önce oda sıcaklığına soğumasını bekleyin.
- Çorba ve benzeri şeyleri sos tavasında blenderden geçirmek için Soup XL PRO (varsa) kullanın. Alternatif olarak el blenderini kullanın.
- **Pişirilmemiş sebzelerin işlenmesinde çorba blenderini kullanmayın.**

- 1 Bıçak kılıfını ⑥ veya ⑩ blender milinden /soup XL PRO'dan çıkartın.
- 2 Elektrikli tutamağı belnder milinin ① içine takın ve kilitlemek için saat yönünde çevirin.
- 3 Fişe takın.
- 4 Yiyeceği kase veya benzer bir kabın içine koyun ve daha sonar kaseyi sıkıca tutarak: Değişken hız kontrolünü kullanarak gereken hızı seçin sonar AÇIK düğmesine basın.

(Daha yavaş karıştırma ve sıçramayı en aza indirmek için düşük hız, daha hızlı karıştırma için yüksek hız veya turbo seçin, tavsiye edilen kullanım tablosuna bakın).

- **Sıçramayı önlemek için, çalıştırmadan önce bıçağı yiyeceğin içine yerleştirin.**
  - Sıvının, güç kolu ile karıştırıcı mili arasındaki bağlantı yerinin yukarısına çıkmasına izin vermeyiniz.
  - Bıçağı yiyeceğin her tarafına hareket ettirin ve karışımı birleştirmek için ezme veya karıştırma hareketini kullanın.
  - **El blenderınız buz kırmak için elverişli değildir.**
  - Eğer blenderınız tıkanıyorsa temizlemeden önce fişten çekin.
- 5 Kullandıktan sonra AÇIK veya Turbo düğmesini bırakın. Fişten çekin, elektrikli tutamağı saat yönünün tersine çevirin ve blender milini elektrikli tutamaktan çıkartın.
- Ⓑ **çirpıcının kullanımı**
- Yumurta beyazı, krema ve çirpma tatlılar gibi hafif malzemeleri çirpabilirsiniz.
  - Yağ veya şeker gibi daha yoğun karışımları çirpmayın – çirpıcıya zarar verirsiniz.
- 1 Tel çirpıcıyı çirpıcı halkasının içine itiniz ②.
  - 2 Elektrikli tutamağı çirpma halkasına yerleştirin, döndürerek kilitleyin.
  - 3 Yiyeceği bir kabın içine koyunuz.
  - 4 Fişe takın ve AÇIK düğmesine basın. Daha yüksek hızda karıştırmak için daha yüksek hız seçin veya Turbo düğmesine basın. Çirparken saat yönünde karıştırın. Sıçramayı azaltmak için düşük hız seçin, sonar AÇIK düğmesine basın.
  - Sıvının çirpıcının tellerinden yukarı çıkmasına izin vermeyiniz.
  - 5 Kullandıktan sonra AÇIK veya Turbo düğmesini bırakın, fişten çıkartın ve parçaları sökün.

### Ⓒ köpürtücü/köpürtme aletini kullanmak için (varsa)

- Cihaz çalışırken asla malzeme eklemeyin.
  - Sıcak sıvıları karıştırırken dikkatli olun, kapta 300mls'den fazlasını karıştırmayın.
  - Köpürdüğünde ve kalınlaştığında taşabileceği için 400mls'den fazla soğuk süt işlemeyin.
- 1 Köpürtücü/köpürtme aleti milini elektrikli tutamağa takın. Kilitlemek için tutamağı saat yönünde döndürün.
  - 2 Düşük hızda karıştırmaya başlayın ve gerekirse hızı yükseltin.
- #### İpuçları
- **Sıçramayı önlemek için köpürtücü/köpürtme aletini işlenecek gıdanın içine çalıştırmadan önce yerleştirin. İşleme sırasında köpürtücü/köpürtme aletinin altının malzemelerin için tamamen girdiğinden daima emin olun.**

- Daima ilk olarak sıvı malzemeleri ekleyin.
- Eklemeyen önce meyveleri püre haline getirin.
- Eğer şurup veya toz karışım kullanılıyorsa, bunları karıştırmaya başlamadan hemen önce koyun, bu sayede dibe çökmeleri önlenir.
- En iyi sonuçlar için, tüm sıvı malzemeler mümkün olduğunca soğuk olmalıdır.
- Sütlü içecekler, süt buz gibi soğuk olduğunda daha lezzetli olur. Süt ne kadar soğuk olursa o kadar katı ve lezzetli olur. Kaymağı alınmış süt, yarım kaymaklı veya tam yağlı süttten daha fazla köpük üretir.
- Asla donmuş meyve veya kırık buz karıştırmayı denemeyin.
- Köpürtmeden önce büyük miktardaki dondurmaya parçalara ayırın.

### Ⓓ doğrayıcıyı kullanmak için (varsa)

- Et, sebzeler, otlar, ekmek, bisküviler ve kuru yemişleri doğrayabilirsiniz.

- Bıçağa hasar verebileceklerinden kahve çekirdekleri, buz küpleri, baharatlar veya çikolata gibi sert yiyecekleri işlemeyin.
- 1 Etteki kemikleri çıkartın ve 1-2cm küpler halinde doğrayın.
  - 2 Kauçuk halka tabanı ⑩ doğrayıcı kasesinin altında yerleştirin. (Bu kasesinin çalışma tezgahında kaymasını önler).
  - 3 Doğrayıcıyı, kasesinin içindeki pinin üzerine yerleştirin ⑪.
  - 4 Yiyeceği ekleyin.
  - 5 Doğrayıcının kapağını kapatın, döndürün ve kilitleyin ⑫.
  - 6 Elektrikli tutamağı doğrayıcı kapağına ⑬ takın – kilitlemek için saat yönünde döndürün.
  - 7 Fişi takın. Kaseyi sabit tutun. Sonra Turbo düğmesine basın. Alternatif olarak, darbe etkili yaratmak için Turbo düğmesine kısa aralıklarla basın.
  - 8 Kullandıktan sonra fişini çekin ve parçaları birbirinden ayırın.

### Ⓔ Metal Masherpro™ (varsa) önemli

- Eziciyi asla yanan ocak üzerindeki sos kabı içinde kullanmayın. Sos kabı daima ocaktan alınmalı ve bir parça soğumaya bırakılmalıdır.
  - Ezme sırasında veya sonrasında ezici ile kabın kenarlarına vurmuyun. Kenarlardaki fazlalıkları sıyırmak için spatula kullanın.
  - Ezme sırasında en iyi sonucu elde etmek için sos kabı yarıdan fazla dolu olmamalıdır.
- 1 Sert sebzeleri ve meyveleri iyice pişirin ve ezmeden önce suyunu süzün.
  - 2 Ezici halkasını ezici mili takın saat yönünde çevirerek ve pozisyonunda ⑭ kilitlenecek şekilde takın.
  - 3 Ezici miline kalın ya da ince eleği takın – kilitlemek için saat yönünde döndürün ⑮.
  - 4 Ezicinin altını süte çevirin ve küreği orta göbek üzerine takın ve saat yönünün tersine çevirerek yerleştirin ⑯. (Eğer halka takılı değilse, kürek yerine oturmazacaktır).

- 5 Elektrikli tutamağı ezici tertibatına takın – kilitlemek için saat yönünde döndürün.
- 6 Fişe takın.
- 7 Eziciyi sos tavası veya kaseinin içine yerleştirin.  
Değişken kontrolden düşük hız seçin ve sonar AÇIK düğmesine basın (tavsiye edilen kullanım tablosuna bakın).
- Eziciyi istediğiniz sonucu elde edene kadar aşağı yukarı hareketlerle gezdirin.
- 8 Kullanımdan sonra AÇIK düğmesini bırakın ve fişini çekin.
- 9 Elektrikli tutamağı saat yönünün tersine döndürün ve ezici tertibatı çıkartın.
- 10 Saat yönünde çevirerek küreği eziciden çıkartın.

- 11 Saat yönünün tersine döndürerek 9 ve sonrada kaldırarak eleği çıkartın.
- 12 Halkayı döndürerek ezici milinden çıkartın.

### opsiyonel eklenti (pakete dahil değildir)

Mini doğrayıcı – sipariş etmek için “servis ve müşteri hizmetleri bölümüne bakın”.

## bakım ve temizlik

- Temizlemeye başlamadan önce aygıtı durdurunuz ve fişini prizden çekiniz.
- Keskin bıçaklara dokunmayınız.
- Havuç gibi bazı besinler plastiğin rengini bozabilir. Bitkisel yağda batırılmış bir bezle silmek renk değişimini önleyebilir.
- Aşındırıcı maddeler kullanmayın.

## bakım ve temizlik kılavuzu

Öge	Bulaşık makinesi için uygun	Suya sokmayın	Elde yıkayın	Islak bezle silin
Elektrikli tutamak	x	✓	x	✓
Blender mili *	x	✓	x	✓
Soup XL PRO *	x	✓	x	✓
Köpürtücü/köpürtme aleti *	x	✓	x	✓
Kap	✓	x	✓	✓
Kap kapağı	✓	x	✓	✓
Kap kauçuk halka taban	✓	x	✓	✓
Bıçak kılıfı	x	x	✓	✓
Doğrayıcı kapağı	x	✓	x	✓
Doğrayıcı kasesi	✓	x	✓	✓
Doğrayıcı bıçağı	✓	x	✓	✓
Doğrayıcı kasesi kapağı	✓	x	✓	✓
Doğrayıcı kasesi kauçuk halka taban	✓	x	✓	✓
Çırpma halkası	x	✓	x	✓
Çırpma	✓	x	✓	✓
Ezici mili	x	✓	x	✓
Ezici küreği	✓	x	✓	✓
Ezici halkası	x	✓	x	✓
Survinezici	✓	x	✓	✓

\* Milin içine sı kaçarsa, boşaltın kullanmadan önce kurumasını bekleyin.

## El blender mili/soup XL PRO

ya

- Kap veya benzer hazneyi kısmen sabunlu su ile doldurun. Fişe takın, el blenderi milini veya çorba blenderini yerleştirin ve çalıştırın.
- fişten çekin ve kurutun veya
- Bıçakları akan suyun altında yıkayın, sonra tamamen kurulayın.
- **Asla suya sokmayın veya milin içine sıvı kaçırmayın. İçine su kaçırsa, boşaltın kullanmadan önce kurumasını bekleyin.**
- **Bulaşık makinasında yıkamayın.**

**ezici ayağı(mili ve eleklerini temizleme için ipuçları**

- Eğer ezici parça üzerinde yiyecek kurumasına izin verilmişse, küreği çıkartın. Kürek ve ezici milinin alt kısmını ılık su içinde yumuşatın ve sonra güzelce yıkayın.
- **Ezici milini asla suya sokmayın veya milin içine sıvı girmesine izin vermeyin. İçine su kaçırsa, boşaltın ve kullanmadan önce kurumasını bekleyin.**  
**önemli** – ezici halkasının ıslanmaması gereklidir.

## servis ve müşteri hizmetleri

- Cihazınızın çalışması ile ilgili herhangi bir sorun yaşarsanız, yardım istemeden önce bu kılavuzdaki “sorun giderme kılavuzu” bölümüne bakın veya [www.kenwoodworld.com](http://www.kenwoodworld.com) adresini ziyaret edin.
- Lütfen unutmayın, ürün ürünün satıldığı ülkedeki mevcut tüm garanti ve tüketici hakları ile ilgili yasal mevzuata uygun bir garanti kapsamındadır.

- Kenwood ürününüz arızalanırsa veya herhangi bir kusur bulursanız yetkili KENWOOD Servis Merkezine gönderin veya götürün. Size en yakın yetkili KENWOOD Servis Merkezinin güncel bilgilerine ulaşmak için [www.kenwoodworld.com](http://www.kenwoodworld.com) adresini veya ülkenize özel web sitesini ziyaret edin.
- Kenwood tarafından İngiltere’de dizayn edilmiş ve geliştirilmiştir.
- Çin’de üretilmiştir.



## ÜRÜNÜN ATIK ELEKTRİKLİ VE ELEKTRONİK EKİPMANIN BERTARAF EDİLMESİNE İLİŞKİN AVRUPA DİREKTİFİNE UYGUN ŞEKİLDE BERTARAF EDİLMESİ HAKKINDA ÖNEMLİ BİLGİ (WEEE)

Kullanım ömrünün sonunda ürün evsel atıklarla birlikte atılmamalıdır. Ürün yerel yetkililerce belirlenmiş atık toplama merkezine veya bu hizmeti sağlayan bir satıcıya götürülmelidir. Ev aletlerinin ayrı bir şekilde atılması çevre üzerindeki olası negatif etkileri azaltır ve aynı zamanda mümkün olan malzemelerin geri dönüşümünü sağlayarak önemli enerji ve kaynak tasarrufu sağlar. Ev aletlerinin ayrı olarak atılması gerekliliğini hatırlatmak amacıyla üzeri çarpı ile işaretlenmiş çöp kutusu resmi kullanılmıştır.



## sorun giderme kılavuzu

<b>Problem</b>	<b>Nedeni</b>	<b>Çözüm</b>
El blenderi çalışmıyor	Güç yok  El Blenderi doğru birleştirilmemiş	El blenderinin fişe takılı olup olmadığını kontrol edin.  Eklerin elektrikli tutamağa güvenli şekilde kilitleyip kilitlemediğini kontrol edin.
İşleme sırasında el blenderi yavaşlıyor veya zorlanıyor.	Seçilmiş olan hız düşük  Tavsiye edilen çalışma süresi aşılmış.	Hızı artırın  Yoğun karışımlar için el blenderini 4 dakikalık periyotta 50 saniyeden daha uzun ya da çırpma ve köpürtücü/köpürtme aletini kullanırken 10 dakikalık periyotta 3 dakikadan daha uzun çalıştırmayın.
İşleme sırasında aşırı sıçrama	Seçilen hız çok yüksek.  Kap, kase veya tencere çok dar veya işlenen malzemeler için çok küçük.	Başlangıçta daha düşük bir hız seçin ve karışım kalınlaştıkça hızı artırın.  Uygun boyda bir kap seçin. Bıçakları çalıştırmadan önce yiyeceklerin içine yerleştirin.
Ezici küreği ezici tertibatından ayrılmıyor	Ezici halkası ezici miline bağlanmamış.	Ezici halkasının ezici miline bağlandığından emin olun.
Çalışma sırasında elektrikli tutamak ısınıyor.	Ünite uzun süre boyunca kullanılmış olabilir.	Tekrar kullanmadan önce ünitenin tamamen soğumasını bekleyin.
Karışım karıştırılmıyor.	Ünitenin hızı karıştırılmakta olan malzemeler için uygun olmayabilir.	İstenen sonuç elde edilene kadar hızı kademeli olarak artırın.

## bezpečnost

- Přečtěte si pečlivě pokyny v této příručce a uschovejte ji pro budoucí použití.
- Odstraňte veškerý obalový materiál a nálepky.
- Pokud by došlo k poškození napájecího kabelu, je z bezpečnostních důvodů nutné nechat ho vyměnit od firmy Kenwood nebo od autorizovaného servisního technika firmy Kenwood, aby se předešlo nebezpečí.
- Pozor, nedotýkejte se nožů, když je mixér zapnutý do zásuvky.
- Prsty, vlasy, oblečení a kuchyňské náčiní nesmí přijít do blízkosti rotujících částí mixéru.
- Po použití a před výměnou příslušenství mixér odpojte od zásuvky.
- Nikdy nemixujte horký tuk či olej.
- Pro bezpečné použití doporučujeme nechat horké tekutiny před zahájením mixování vychladnout na pokojovou teplotu.
- Poškozený ruční mixér nepoužívejte. Nechte ho opravit: viz část “servis a údržba”.
- Hnací jednotka se nesmí ponořovat do vody, šňůra ani zástrčka nesmí být vlhké - hrozí nebezpečí úrazu elektrickým proudem.
- Přípojná šňůra se nesmí dotýkat horkých povrchů a dávejte pozor, aby volně visela v místech, kde by za ni mohlo zatáhnout dítě.

- Nepouívejte výrobcem neschválené příslušenství.
- Ruční mixér vždy odpojte od zásuvky, pokud jej necháváte bez dozoru a také před jeho sestavením, rozebráním nebo mytím.
- Osoby se sníženými fyzickými, smyslovými nebo mentálními schopnostmi nebo s nedostatkem zkušeností a znalostí mohou spotřebič používat v případě, že jsou pod dozorem nebo byly poučeny o bezpečném používání spotřebiče a chápou rizika, která jsou s používáním spojená.
- Nesprávné používání spotřebiče může způsobit zranění.
- Tento spotřebič nesmějí používat děti. Spotřebič a jeho kabel musí být mimo dosah dětí.
- Dohlédněte, aby si děti s přístrojem nehrály.
- Toto zařízení je určeno pouze pro domácí použití. Společnost Kenwood vylučuje veškerou odpovědnost v případě, že zařízení bylo nesprávně používáno nebo pokud nebyly dodrženy tyto pokyny.
- Jmenovitý výkon vychází z hodnot pro sekáček. Ostatní nástavce mohou odebírat energie méně.

### **důležité**

- Při zpracovávání hustých směsí nepoužívejte ruční mixér déle než 50 sekund během intervalu 4 minut, docílíte tak delší životnosti přístroje.
- Nepoužívejte metličku nebo napěňovač déle než 3 minuty v průběhu 10 minut.

## **příslušenství sekáčku**

- Nedotýkejte se ostrých čepelí.
- Před vyprázdněním nádoby sejměte čepel sekáčku.
- Nikdy nesundávejte kryt, dokud se čepel sekáčku zcela nezastaví.
- Při mytí či jiné manipulaci vždy držte čepel sekáčku za chránič prstů v bezpečné vzdálenosti od sekacích nožů.

### **před zapojením**

- Ujistěte se, že elektrická přípojka má vlastnosti shodné s těmi, které jsou uvedeny na ručním mixéru.
- Tento spotřebič splňuje nařízení ES č. 1935/2004 o materiálech a výrobcích určených pro styk s potravinami.

### **před prvním použitím**

- Kryt nožů z nožové jednotky vyhodte, má jen chránit nože při výrobě a přepravě. Buďte opatrní, protože nože jsou velmi ostré.
- Mytí dílů: viz kapitola „údržba a čištění“

## **popis**

### **ruční mixér**

- ① regulátor rychlosti
- ② tlačítko „ON“ pro zapnutí/vypnutí
- ③ tlačítko turbo
- ④ rukojeť
- ⑤ hřídel mixéru se třemi noži
- ⑥ kryt nožové jednotky

### **pracovní nádoba (pokud je součástí balení)**

- ⑦ víko nádoby s odměrkou
- ⑧ pracovní nádoba
- ⑨ gumová základna

### **Ⓐ polévkový nástavec SOUP XL PRO (pokud je součástí balení)**

- ⑩ polévkový nástavec Soup XL PRO
- ⑪ kryt nožové jednotky

### **Ⓑ metlička (pokud je součástí balení)**

- ⑫ objímka metličky
- ⑬ drátěná metlička

### **Ⓒ napěňovač (pokud je součástí balení)**

- ⑭ napěňovač

### **Ⓓ sekáček (pokud je součástí balení)**

- ⑮ kryt sekáčku
- ⑯ chránič prstů
- ⑰ čepel sekáčku
- ⑱ pracovní nádoba
- ⑲ gumová základna
- ⑳ víko pracovní nádoby

### **Ⓔ kovové mačkadlo Masherpro™ (pokud je součástí balení)**

- ㉑ prstenec mačkadla
- ㉒ hřídel mačkadla
- ㉓ jemné sítko
- ㉔ hrubé sítko
- ㉕ lopatka mačkadla

tabulka doporučeného používání				
Ingredience/ recept	Nádoba	Rychlost	Doba zpracování *	Max. objem
<b>Ruční mixér</b>				
Polévky	2litrový hrnec	Turbo	25 s	1 litr
Majonéza	Litrová nádoba	Turbo	45–60 s	4 vejce 600 ml oleje
Dětská výživa	Litrová nádoba	Turbo	30–40 s	300 g
Smoothie / mléčné koktejly	Litrová nádoba	Turbo	30 s	800 ml
<b>Polévkový nástavec Soup XL PRO</b>				
Polévky	4litrový hrnec	Turbo	25 s	2 litry
<b>Metlička</b>				
Bílky	Velká skleněná mísa	Turbo	2–3 min	4 (150 g)
Smetana	Velká skleněná mísa	Turbo	2–2 ½ min	400 ml
<b>Sekáček</b>				
Maso	Nádoba sekáčku	Turbo	10–15 s	250 g
Bylinky	Nádoba sekáčku	Turbo	5–10 s	30 g
Ořechy	Nádoba sekáčku	Turbo	10–15 s	200 g
Pečivo	Nádoba sekáčku	Turbo	5–10 s	1 krajíc
Cibule	Nádoba sekáčku	Pulzní	–	200 g
Sušenky	Nádoba sekáčku	Turbo	15 s	140 g
Paštika	Nádoba sekáčku	Turbo	5–10 s	150 g
Marináda ze sušených švestek 50 g Malé měkké sušené švestky 400 g Tekutý med 35 g Vody  Vložte ingredience do misky sekáčku ve shora uvedeném pořadí. Nasadte víko a nechejte misku přes noc v lednici.	Nádoba sekáčku	Turbo	3 s	485 g
<b>Kovové mačkadlo Masher Pro – hrubé sítko</b>				
<b>Vařená zelenina</b> (brambory, tuřín, mrkev a sladké brambory)	Velký hrnec / velká mísa	minimální	30–40 s	600–800 g

\* Tyto hodnoty jsou pouze přibližné a mohou se lišit v závislosti na konkrétním receptu a ingrediencích.

tabulka doporučeného používání				
Ingredience/ recept	Nádoba	Rychlost	Doba zpracování *	Max. objem
<b>Kovové mačkadlo Masher Pro – jemné sítko</b>				
Vařené brambory	Velký hrnec / velká mísa	minimální	30–40 s	600–800 g
<b>Měkké ovoce</b> Maliny Měručky	Velká mísa 1litrový hrnec	minimální	30–40 s	500 g
		minimální	30–40 s	400 g (změkčené ve vodě)
<b>Napěňovač</b>				
Studené mléko	Litrová nádoba	minimální	15–20 s	400 ml
Teplé mléko – ohřáté v hrnci těsně pod bod varu	Litrová nádoba	minimální	15–20 s	300 ml
(Nejllepší pěnu vytvoříte ze studeného nízkotučného mléka)				
Ovocná pěna	Litrová nádoba	minimální	30 s	(200 g ovocného pyré + 200 ml vody)

\* Tyto hodnoty jsou pouze přibližné a mohou se lišit v závislosti na konkrétním receptu a ingrediencích.

#### **používání ručního mixéru**

- Můžete mixovat polévky, omáčky, mléčné koktejly, majonézu, dětskou výživu apod.

#### **mixování v pracovní nádobě (pokud je součástí balení)**

- Na spodek nádoby nasadíte gumovou základnu ⑨. (Zabrání to klouzání nádoby po pracovní ploše.)
- Naplníte nádobu maximálně do  $\frac{2}{3}$  objemu.
- Po mixování můžete na nádobu nasadit víko ⑦.

#### **Poznámka:**

Pokud pracovní nádoba není součástí balení vašeho spotřebiče, zvolte nádobu vhodné velikosti a tvaru. Doporučujeme vyšší nádobu s rovnými stěnami o průměru o něco větším, než je průměr spodní části mixéru, aby se ingredience mohly pohybovat, ale dostatečně vysokou, aby se zabránilo vyšpláchnutí.

#### **mixování na v hrnci**

- Pro bezpečné použití opět doporučujeme nechat horké tekutiny před zahájením

mixováním v hrnci vychladnout na pokojovou teplotu.

- Pomocí polévkového nástavce Soup XL PRO (pokud je součástí balení) můžete rychle rozmixovat polévky apod. přímo v hrnci. Můžete k tomu použít také ruční mixér.
- **Nástavec na mixování polévek nepoužívejte ke zpracování syrové zeleniny.**

1 Sundejte kryt nožové jednotky ⑥ nebo ⑪ z konce hřídele mixéru / polévkového nástavce Soup XL PRO.

2 Hřídel mixéru nasadíte na rukojeť mixéru ❶ a zajistíte otočením ve směru hodinových ručiček.

3 Přístroj zapojte do sítě.

4 Potraviny vložte do pracovní nádoby nebo podobné nádoby, nádobu přidržte a:

Pomocí regulátoru rychlosti zvolte požadovanou rychlost a pak stiskněte tlačítko „ON“ pro zapnutí.

Zvolte nižší rychlost pro pomalejší mixování a omezení špláchnutí a vyšší rychlost nebo režim Turbo pro rychlejší mixování (viz tabulka doporučeného používání).

- **Aby nedošlo k rozstříkání kapaliny, nože umístíte do potraviny předtím, než mixér zapnete.**
  - Dávejte pozor, aby směs nedosahovala ke spoji mezi hnací jednotkou a mixovacím nástavcem.
  - Nožovou jednotkou v ingrediencích pohybujte nahoru a dolů a krouživými pohyby, abyste vše dostatečně rozmixovali.
  - **Váš ruční mixér není určen pro drcení ledu.**
  - Pokud dojde k zaseknutí mixéru, před vyčištěním jej odpojte ze sítě.
- 5 Po dokončení tlačítko „ON“ pro zapnutí nebo tlačítko „Turbo“ pusťte. Odpojte mixér od zásuvky a otočte rukojeť proti směru hodinových ručiček, abyste hřídel mixéru odpojili od rukojeti.

#### ⓑ používání metličky

- Šlehat můžete lehké směsi, např. vaječné bílky; smetanu a pudinkové směsi.
  - Nemixujte husté směsi jako tuk s cukrem – metlička by se poškodila.
- 1 Metličku zasuňte do objímky metličky ②.
  - 2 Objímku metličky nasadte na rukojeť mixéru a otočením ve směru hodinových ručiček zajistíte.
  - 3 Příměsi určené ke šlehání dejte do misky.
  - 4 Zapojte do zásuvky a stiskněte tlačítko „ON“ pro zapnutí. Chcete-li šlehat vyšší rychlostí, pomocí regulátoru zvolte vyšší rychlost nebo stiskněte tlačítko „Turbo“. Pohybujte metličkou ve směru hodinových ručiček. Chcete-li zabránit šplíchání, zvolte nízkou rychlost a stiskněte tlačítko „ON“ pro zapnutí.
  - Dávejte pozor, aby se směs nedostala nad metličku.
  - 5 Po skončení uvolněte tlačítko „ON“ nebo „Turbo“, vypojte přístroj ze sítě a rozeberte.

#### ⓒ používání napěňovače (pokud je součástí balení)

- Nepřidávejte ingredience, když je spotřebič v provozu.
  - Při mixování horkých tekutin buďte opatrní a v pracovní nádobě nemixujte více než 300 ml.
  - V pracovní nádobě nemixujte více než 400 ml studeného mléka, protože při napěnění a zhoustnutí by mohlo přetéci.
- 1 Nasadte hřídel napěňovače na rukojeť. Otočením rukojeti ve směru hodinových ručiček zajistíte.
  - 2 Začněte mixovat nízkou rychlostí a v případě potřeby rychlost zvyšte.
- tipy**
- **Abyste zabránili šplíchání, nejprve napěňovač ponořte do tekutiny a teprve pak zapněte. Během napěňování udržujte spodek napěňovače stále ponořený.**
  - Nejprve vždy přidejte tekuté ingredience.
  - Ovoce před přidáním rozmačkejte na jemné pyré.
  - Pokud používáte sirupy nebo práškové směsi, přidejte je těsně před napěňováním, aby neklesly ke dnu.
  - Nejlepších výsledků dosáhnete, když budou všechny tekuté ingredience co nejstudenější.
  - Mléčné nápoje chutnají nejlépe, když je mléko ledové. Čím studenější je mléko, tím hustší a napěněnější bude nápoj. Z nízkotučného mléka vznikne napěněnější nápoj než z polotučného nebo plnotučného.
  - Nepokoušejte se mixovat mražené ovoce nebo drtit led.
  - Velké kusy zmrzliny před napěňováním rozdělte na menší.

## **ⓓ používání sekáčku (pokud je součástí balení)**

- Sekáček můžete použít na zpracování masa, zeleniny, bylinek, chleba, sušenek a ořechů.
  - Nesekejte tvrdé potraviny, např. kávová zrna, kostky ledu, koření nebo čokoládu – může dojít k poškození čepele.
- 1 Odstraňte kosti a rozkrájejte potraviny na kostky o velikosti asi 1-2 cm.
  - 2 Na spodek nádoby sekáčku nasadte gumovou základnu ⑱. (Zabrání to klouzání nádoby po pracovní ploše).
  - 3 Nasadte čepel sekáčku na kovový trn v nádobě ③.
  - 4 Vložte potraviny.
  - 5 Nasadte kryt a pootočením zajistěte ④.
  - 6 Nasadte rukojeť mixéru na kryt sekáčku ⑤ a zajistěte otočením ve směru hodinových ručiček.
  - 7 Zapojte do sítě. Nádobu držte rovně. Potom stiskněte tlačítko „Turbo“. Nebo můžete rovněž mačkat tlačítko „Turbo“ v krátkých impulzech pro pulzní mixování.
  - 8 Po použití vypojte ze sítě a rozmontujte.

## **ⓔ Kovové mačkadlo Masherpro™ (pokud je součástí balení)**

### **důležité**

- Nepoužívejte mačkadlo v hrnci vystavenému přímému zdroji tepla. Vždy odstavte hrnec od zdroje tepla a ponechte trochu vychladnout.
- Nedotýkejte se mačkadlem stran nádoby během vaření nebo mačkání. Použijte stěrku pro odstranění potravin ze stěn nádoby.
- Pro optimální výsledky doporučujeme při mačkání naplnit hrnec maximálně do poloviny objemu.
- 1 Tvrdou zeleninu a ovoce před mačkáním uvařte a scedte.

- 2 Na hřídel mačkadla nasadte prstenec mačkadla a otočením ve směru hodinových ručiček zajistěte ⑥.
- 3 Na hřídel mačkadla nasadte hrubé nebo jemné sítko a otočením ve směru hodinových ručiček zajistěte ⑦.
- 4 Otočte mačkadlo spodkem nahoru a na střed nasadte lopatku, kterou otočením proti směru hodinových ručiček zajistěte ⑧. **(Pokud není nasazen prstenec, nelze lopatku správně zajistit).**
- 5 Nasadte rukojeť mixéru na sestavené mačkadlo a zajistěte otočením ve směru hodinových ručiček.
- 6 Zapojte do sítě.
- 7 Umístěte mačkadlo do hrnce nebo mísy apod.  
Na regulátoru rychlosti zvolte nízkou rychlost a pak stiskněte tlačítko „ON“ pro zapnutí (viz tabulka doporučeného používání).
- Pohybuje mačkadlem ve směsi nahoru a dolů, dokud neosáhnete požadovaného výsledku.
- 8 Po skončení uvolněte tlačítko „ON“ a vypojte ze sítě.
- 9 Otočte rukojeť mixéru proti směru hodinových ručiček a odpojte mačkadlo.
- 10 Sejměte lopatku z mačkadla otočením ve směru hodinových ručiček.
- 11 Sundejte sítko otočením proti směru hodinových ručiček ⑨ a nadzvednutím.
- 12 Z hřídele mačkadla odšroubujte prstenec.

### **volitelný nástavec (není součástí balení)**

Mini sekáček – informace o objednání najdete v části „servis a údržba“.







## údržba a čištění

- Spotřebič před čištěním nejdříve vypněte a vytáhněte ze zásuvky.
- Pozor - nedotýkejte se ostří sekacích nožů.

- Některé potraviny, např. vejce či mrkev mohou obarvit plast sekáčku. K odstranění zbarvení použijte hadřík namočený v rostlinném oleji.
- Nepoužívejte čisticí písky.

## průvodce péčí a čištěním

Část	Vhodné do myčky 	Nenamáčet 	Ruční mytí 	Otřít vlhkým hadříkem 
Rukojeť mixéru	x	✓	x	✓
Hřídel mixéru*	x	✓	x	✓
Soup XL PRO *	x	✓	x	✓
Napěňovač *	x	✓	x	✓
Pracovní nádoba	✓	x	✓	✓
Víko nádoby	✓	x	✓	✓
Gumový základna	✓	x	✓	✓
Kryt nožové jednotky	x	x	✓	✓
Kryt sekáčku	x	✓	x	✓
Nádoba sekáčku	✓	x	✓	✓
Čepel sekáčku	✓	x	✓	✓
Víko nádoby sekáčku	✓	x	✓	✓
Gumová základna nádoby sekáčku	✓	x	✓	✓
Objímka metličky	x	✓	x	✓
Metlička	✓	x	✓	✓
Hřídel mačkadla	x	✓	x	✓
Lopatka mačkadla	✓	x	✓	✓
Prsteneček mačkadla	x	✓	x	✓
Mačkadlo	✓	x	✓	✓

\* Pokud se do hřídele dostane voda, vylijte ji a před použitím nechte vyschnout.

**hřídel ručního mixéru / polévkový nástavec Soup XL PRO**  
buď

- Částečně naplňte nádobu s měrkou nebo jinou podobnou nádobu teplou vodou se saponátem. Zapojte do elektřiny, zasuňte hřídel ručního mixéru

nebo polévkový nástavec a zapněte.

- Vypojte ze sítě, osušte nebo
- Nože umývejte pod tekoucí vodou, potom je důkladně vyčistěte.

- **Nenamáčejte do vody a nedovolte, aby se do hřídele dostaly tekutiny. Pokud se voda dovnitř dostane, vylijte ji a před použitím nechte vyschnout.**

- **Nemyjte v myčce.**

**tip k čištění základny/hřídele a sítěk mačkadla**

- Pokud na mačkadle zaschnou potraviny, sundejte lopatku. Lopatku a spodek hřídele mačkadla namočte do teplé vody, aby zbytky změkly, a pak důkladně umyjte.
- **Hřídel mačkadla nenamáčejte do vody a zabraňte tomu, aby do hřídele natekla tekutina. Pokud se voda dovnitř dostane, vylijte ji a před dalším použitím nechte důkladně oschnout.**  
**důležité** – prstenec mačkadla se nesmí namočit.

## servis a údržba

- Pokud při používání spotřebiče narazíte na jakékoli problémy, před vyžádáním pomoci si přečtete část „průvodce odstraňováním problémů“ v návodu nebo navštivte stránky [www.kenwoodworld.com](http://www.kenwoodworld.com).
- Upozorňujeme, že na váš výrobek se vztahuje záruka, která je v souladu se všemi zákonnými ustanoveními ohledně všech existujících záručních práv a práv spotřebitelů v zemi, kde byl výrobek zakoupen.
- Pokud se váš výrobek Kenwood porouchá nebo u něj zjistíte závady, zašlete nebo odneste jej prosím do autorizovaného servisního centra KENWOOD. Aktuální informace o nejbližším autorizovaném servisním centru KENWOOD najdete na webu [www.kenwoodworld.com](http://www.kenwoodworld.com) nebo na webu společnosti Kenwood pro vaši zemi.

- Zkonstruováno a vyvinuto společností Kenwood ve Velké Británii.
- Vyrobeno v Číně.



### **DŮLEŽITÉ INFORMACE PRO SPRÁVNOU LIKVIDACI VÝROBKU V SOULADU S EVROPSKOU SMĚRNICÍ O ODPADNÍCH ELEKTRICKÝCH A ELEKTRONICKÝCH ZAŘÍZENÍCH (OEEZ)**

Po ukončení doby provozní životnosti se tento výrobek nesmí likvidovat společně s domácím odpadem. Výrobek se musí odevzdat na specializovaném místě pro sběr tříděného odpadu, zřízeném městskou správou anebo prodejcem, kde se tato služba poskytuje. Pomocí odděleného způsobu likvidace elektrospotřebičů se předchází vzniku negativních dopadů na životní prostředí a na zdraví, ke kterým by mohlo dojít v důsledku nevhodného nakládání s odpadem, a umožňuje se recyklace jednotlivých materiálů při dosažení významné úspory energií a surovin. Pro zdůraznění povinnosti tříděného sběru odpadu elektrospotřebičů je výrobek označený symbolem přeškrtnutého odpadkového koše.

## průvodce odstraňováním problémů

Problém	Příčina	Řešení
Ruční mixér nefunguje.	Chybí napájení.  Ruční mixér není správně sestaven.	Zkontrolujte, jestli je mixér zapojen do zásuvky.  Zkontrolujte, jestli jsou nástavce správně zajištěné na rukojeti.
Ruční mixér během mixování začne zpomalovat nebo se otáčí s námahou.	Příliš nízká nastavená rychlost  Byla překročena doporučená doba provozu.	Zvyšte rychlost.  Nepoužívejte ruční mixér na husté směsi déle než 50 sekund v průběhu 4 minut nebo metličku a napěňovač déle než 3 minuty v průběhu 10 minut.
Nadměrné šplíchání	Je zvolena příliš vysoká rychlost.  Nádoba je na mixované ingredience příliš mělká nebo malá.	Na začátku zvolte nižší rychlost a s houstnoucí směsí ji zvyšujte.  Zvolte vhodně velkou nádobu. Nejprve ponořte nože do ingrediencí a teprve pak zapněte.
Lopatka mačkadla nejde z mačkadla sundat.	Na hřídeli mačkadla není nasazen prstenec mačkadla.	Na hřídél mačkadla nezapomeňte nasadit prstenec mačkadla.
Rukojeť mixéru se při používání zahřívá.	Spotřebič je možná používán dlouhou dobu.	Před dalším použitím nechte zcela vychladnout.
Směs se správně nemixuje.	Možná není zvolena správná rychlost pro mixované ingredience.	Postupně zvyšujte rychlost a mixujte, dokud nedosáhnete požadovaného výsledku.

# Magyar

Az használati utasítás ábrái az első oldalon láthatók - olvasás közben hajtsa ki ezt az oldalt

## első a biztonság

- Alaposan olvassa át ezeket az utasításokat és őrizze meg későbbi felhasználásra!
- Távolítson el minden csomagolóanyagot és címkét!
- Ha a csatlakozódugó vagy a hálózati vezeték sérült, azt a ha a csatlakozódugó vagy a hálózati vezeték sérült, azt a veszélyek megelőzése érdekében biztonsági okokból ki kell cseréltetni a Kenwood vagy egy hivatalos Kenwood szerviz szakemberével.
- Amíg a készülék áram alatt van, soha ne nyúljon a vágókésekhez.
- Kezét, haját és ruháját valamint a konyhai eszközöket tartsa távol a készülék mozgó alkatrészeitől.
- A tartozékok cseréje előtt a hálózati vezetékét mindig húzza ki a konnektorból. Használat után is áramtalanítsa a turmixgépet.
- Soha ne használja a készüléket forró zsír vagy olaj keverésére.
- A legbiztonságosabb használat érdekében ajánljuk, hagyja a forró folyadékokat lehűlni szobahőmérsékletűre a keverés előtt.
- Ha a turmixgép megsérül, az újabb bekapcsolás előtt szakemberrel ellenőriztesse, és ha szükséges, javíttassa meg (I. szerviz és vevőszolgálat).
- Az áramütés elkerülése érdekében a meghajtóegységet soha ne merítse vízbe,

és a hálózati vezeték, illetve a dugaszt is mindig tartsa szárazon.

- Ügyeljen arra, hogy a hálózati vezeték ne érjen forró felülethez és ne lógjon le az asztal széléről, nehogy egy kisgyermek magára rántsa a készüléket.
- Csak eredeti, gyári, vagy a gyártó által ajánlott tartozékokat használjon.
- Mindig húzza ki a kézi turmixgépet a konnektorból, ha azt felügyelet nélkül hagyja, illetve összeszerelés, szétszerelés és tisztítás előtt.
- A készüléket üzemeltethetik olyanok is, akik mozgásukban, érzékelésükben vagy mentálisan korlátozottak, illetve nincs kellő hozzáértésük vagy tapasztalatuk, amennyiben a készüléket felügyelet mellett használják, vagy annak biztonságos használatára vonatkozóan utasításokkal látták el őket, és tisztában vannak a kapcsolódó veszélyekkel.
- A készülék nem megfelelő használata sérülést okozhat.
- Ezt a készüléket nem használhatják gyermekek. Ügyelni kell arra, hogy a készülékhez és zsinórához gyermekek ne férjenek hozzá.
- A gyermekekre figyelni kell, nehogy játsszanak a készülékkel.
- A készüléket csak a rendeltetésének megfelelő háztartási célra használja! A Kenwood nem vállal felelősséget, ha a készüléket nem rendeltetésszerűen használták, illetve ha ezeket az utasításokat nem tartják be.
- A névleges teljesítmény a daráló tartozék teljesítményén alapszik. A többi tartozék kisebb teljesítménnyel működhet.

## fontos

- Nehéz keverékek esetén a készüléke hosszú élettartamának biztosítása céljából ne használja a kézi turmixgépet 50 másodpercnél hosszabb ideig bármilyen négyperces időszak alatt.
- Ne használja 3 percnél hosszabb ideig a habverőt vagy a habosítót bármilyen 10 perces időszak alatt.

## daráló toldat

- Ne érjen az éles késekhez.
- Vegye le a daráló kést, mielőtt kiüríti a tálat.
- Soha ne vegye le a fedelet, amíg a daráló kése teljesen le nem állt.
- A daráló kését mindig a vágókésektől távoli fogórésznél tartsa, mind a kezelés, mind a tisztítás során.

### csatlakoztatás előtt

- Ellenőrizze, hogy hálózati áramforrása megfelel a kézi turmixgépen feltüntetettnek.
- A készülék megfelel az élelmiszerekkel rendeltetésszerűen érintkezésbe kerülő anyagokról és tárgyokról szóló 1935/2004/EK rendelet követelményeinek.

### az első használat előtt

- Dobja ki a daráló kés késvédőjét, mivel az csak a kés gyártás és szállítás közbeni védelmére szolgál. Legyen óvatos, mert a kések nagyon élesek.
- Mosogassa el a készülék alkatrészeit: lásd a 'karbantartás és tisztítás' részt.

## a készülék részei

### kézi turmixgép

- ① változtatható sebességszabályozó
- ② bekapcsológomb
- ③ turbó gomb
- ④ meghajtóegység
- ⑤ keverőszár rögzített „triblade”-del
- ⑥ késvédő fedél

### bögre (ha tartozék)

- ⑦ bögrefedél
- ⑧ bögre
- ⑨ gumigyűrű talp

### (A) SOUP XL PRO (ha tartozék)

- ⑩ soup XL PRO
- ⑪ késvédő fedél

### (B) habverő (ha tartozék)

- ⑫ habverő csatlakozója
- ⑬ drót habverő

### (C) habosító (ha tartozék)

- ⑭ habosító

**Ⓓ daráló (ha tartozék)**

- 15 a daráló fedele  
 16 fogórész  
 17 daráló kés  
 18 tál  
 19 gumigyűrű talp  
 20 tál fedele

**Ⓔ fém Masherpro™ (ha tartozék)**

- 21 paszírozó csatlakozó  
 22 paszírozó tengely  
 23 finom szűrőlap  
 24 durva szűrőlap  
 25 paszírozó lapát

**felhasználási útmutató**

Hozzávalók/ recept	Edény	Sebesség	Feldolgozási idő *	Max. kapacitás
<b>Kézi turmix</b>				
Levesek	2 literes lábos	Turbó	25 s	1 liter
Majonéz	1 literes bögre	Turbó	45–60 s	4 tojás 600 ml olaj
Bébiétel	1 literes bögre	Turbó	30–40 s	300 g
Gyümölcs-turmixok/ tejturmixok	1 literes bögre	Turbó	30 s	800 ml
<b>Soup XL PRO</b>				
Levesek	4 literes lábos	Turbó	25 s	2 liter
<b>Habverő</b>				
Tojásfehérje	Nagy üvegedény	Turbó	2-3 perc	4 (150 g)
Tejszín	Nagy üvegedény	Turbó	2-2½ perc	400 ml
<b>Daráló</b>				
Hús	Daráló tál	Turbó	10–15 s	250 g
Fűszerek	Daráló tál	Turbó	5–10 s	30 g
Dió	Daráló tál	Turbó	10–15 s	200 g
Kenyér	Daráló tál	Turbó	5–10 s	1 szelet
Hagyma	Daráló tál	Pulzáló	–	200 g
Keksz	Daráló tál	Turbó	15 s	140 g
Krém	Daráló tál	Turbó	10–15 s	150 g
Szilvapác 50 g Puha aszalt szilva 400 g Folyós méz 35 g Víz  Helyezze a hozzávalókat az aprító edényébe a fenti sorrendben. Helyezze fel a fedelet és tegye éjszakára hűtőszekrénybe.	Daráló tál	Turbó	3 s	485 g

\* Ez csak iránymutatásul szolgál, függ a pontos recepttől és a feldolgozandó nyersanyagoktól.

## felhasználási útmutató

Hozzávalók/ recept	Edény	Sebesség	Feldolgozási idő *	Max. kapacitás
<b>Fém Masherpro – durva szűrőlap</b>				
<b>Főtt zöldségek</b> (burgonya, karórépa, sárgarépa és jamgyökér)	Nagy lábos/edény	minimális	30–40 s	600–800 g
<b>Fém Masherpro – finom szűrőlap</b>				
Főtt burgonya	Nagy lábos/edény	minimális	30–40 s	600–800 g
<b>Puha gyümölcsök</b>	Nagy edény	minimális	30–40 s	500 g
Málna	1 literes lábos	minimális	30–40 s	400 g
Sárgabarack				(vízben puhítva)
<b>Habosító</b>				
Hideg tej	1 literes bögre	minimális	15–20 s	400 ml
Meleg, tej – lábosban lassan felforralva	1 literes bögre	minimális	15–20 s	300 ml
(A hideg fölözött tejből lesz a legjobb hab)				
Gyümölcs hab	1 literes bögre	minimális	30 s	(200 g gyümölcs- püré + 200 ml víz)

\* Ez csak iránymutatásul szolgál, függ a pontos recepttől és a feldolgozandó nyersanyagoktól.

### a kézi turmixgép segítségével

- Turmixolhat például leveseket, szószokat, tejturmixokat, majonézt és bébiételt.

### a bögréhez (ha van bögre)

- Illesze a gumigyűrű talpat ⑨ a bögre aljára. (Így a bögre nem csúszik a munkalapon).
- A bögrét legfeljebb  $\frac{2}{3}$ -áig töltsse fel.
- A keverés után ráteheti a fedelet ⑦ a bögrére.

### megjegyzés

Ha a bögre nem tartozék, válasszon megfelelő méretű edényt. Magas, egyenes oldalú edényt ajánlunk, amelynek átmérője kissé nagyobb, mint a kézi mixer alja, hogy szabadon mozogjanak az alkotóelemek, de elég magas legyen, hogy ne ömöljön ki.

### lábosban történő mixelés

- A legbiztonságosabb használat érdekében ajánljuk, hogy vegye le a tűzről a lábost, hagyja a forró folyadékokat lehűlni szobahőmérsékletűre a keverés előtt.
- A soup XL PRO levesturmixoló (ha tartozék) segítségével gyorsan feldolgozhatja például a leveseket, közvetlenül a lábosban. Használhatja helyette a kézi turmixgépet is.
- **Ne használja a levesturmixolót nyers zöldség feldolgozására.**

- 1 Távolítsa el a késvédő fedelet ⑥ vagy ⑩ a keverőszár/soup XL PRO végéről.
- 2 Illesze a meghajtóegységet a keverőszárba ①, majd jobbra elfordítva rögzítse.
- 3 Dugja be a hálózati csatlakozódugót a konnektorba.



4 Helyezze az ételt a bögrébe vagy hasonló edénybe, majd tartsa stabilan a bögrét:  
A változtatható sebességszabályozóval válassza ki a szükséges sebességet, majd nyomja le a bekapcsológombot. Válassza az alacsonyabb sebességet a lassabb keveréshez és a kifröccsenés minimalizálásához, és a nagyobb sebességet vagy a turbó fokozatot a gyorsabb keveréshez. (Lásd a felhasználási útmutatót).

● **A fröcskölés elkerülése érdekében helyezze a kést az ételbe, mielőtt bekapcsolná a készüléket.**

● Ügyeljen arra, hogy a keverőszár és a meghajtóegység közé ne kerülhessen folyadék (az illeszkedés mindig maradjon a folyadék szintje fölött).

● Mozgassa a kést az ételben és végezzen passzírozó vagy keverő mozdulatokat, az anyag elkeverése érdekében.

● **A kézi turmixgép nem alkalmas jég aprítására.**

● Ha a turmixgép elakad, húzza ki a tisztítás előtt.

5 Használat után engedje fel a bekapcsoló- vagy turbó gombot. Húzza ki a hálózati csatlakozót, majd a meghajtóegységet balra elfordítva vegye le a keverőszárat a meghajtóegységről.

#### ⓑ a habverő használata

● Felverhet könnyű alkotóelemeket, pl. tojásfehérjét; tejszínt és porból készülő desszerteket.

● Sűrűbb keverékekhez (például zsiradék és cukor) ne használja, mert tönkretelheti a habverőt.

1 Tolja a habverőt a csatlakoztató egységbe ②.

2 Illessze a meghajtóegységet a habverő csatlakozójához, majd jobbra elfordítva rögzítse.

3 Tegye a feldolgozandó ételt a keverő edénybe.

4 Csatlakoztassa a hálózathoz, majd nyomja le a bekapcsológombot. Nagyobb sebességgel történő

habveréshez válasszon nagyobb sebességfokozatot vagy nyomja le a Turbó gombot. A habverőt jobbra mozgassa.

A kifröccsenés veszélyének csökkentése érdekében válasszon alacsony sebességet, majd nyomja le a bekapcsológombot.

● Ügyeljen arra, hogy a feldolgozandó folyadék ne érjen túl a habverők felső szélénél.

5 Használat után engedje fel a bekapcsoló- vagy Turbó gombot, húzza ki a dugaszt a konnektorból, és szerelje szét a készüléket.

#### ⓒ habosító használata (ha tartozék)

● Soha ne adjon hozzá hozzávalókat a készülék működése közben.

● Legyen óvatos forró folyadékok keverésekor, 300 ml-nél többet ne keverjen egyszerre a bögrében.

● Ne keverjen egyszerre 400 ml-nél több hideg tejet a bögrében, mert kifolyhat a hab képződése és sűrűsödése közben.

1 Illessze a habosító szárát a meghajtóegységhez, majd a meghajtóegységet jobbra elfordítva rögzítse.

2 Kezdje alacsony sebességen a keverést, és szükség esetén növelje a sebességet.

#### tanácsok

● **A fröcskölés elkerülése érdekében helyezze a habosítót az ételbe mielőtt bekapcsolná a készüléket. Ügyeljen arra, hogy feldolgozás közben a habosító alja mindig teljesen be legyen merítve az anyagba.**

● Először mindig a folyékony hozzávalókat adja hozzá.

● A hozzáadás előtt mindig törje össze pépesre a gyümölcsöt.

● Szirupok és porok használata esetén, azokat közvetlenül a keverés előtt adja hozzá, hogy megelőzze lesüllyedésüket az edény aljára.

- A legjobb eredmény érdekében minden folyadéknak a lehető leghidegebbnek kell lennie.
  - A tejtitaloknak jobb íze van, ha a tej jéghideg. Minél hidegebb a tej, annál sűrűbb és habosabb lesz az ital. A fölözött tej habosabb italt eredményez, mint a félzsíros vagy a teljes zsírtartalmú tej.
  - Soha ne próbálkozzon fagyott gyümölcs vagy jég aprításával.
  - A habosítás előtt törje össze a nagyobb jégkrém darabokat.
- ⓓ a daráló használata (ha tartozék)**
- Darálhat húst, zöldséget, zöldfűszereket, kenyérmorzsát, kekszet és diót.
  - Ne daráljon kemény élelmiszereket, pl. kávé, jégkockát, fűszereket és csokoládét – károsítja a kést.
- 1 Távolítsa el minden csontot és vágja az élelmiszert 1-2 cm-es kockákra.
  - 2 Illessze a gumigyűrű talpat **19** a daráló tál alá. (Így a tál nem csúszik a munkalapon).
  - 3 Tegye a daráló kését a tálban lévő csapra **3**.
  - 4 Tegye bele az élelmiszert.
  - 5 Tegye rá a daráló fedelét, fordítsa el és zárja le **4**.
  - 6 Illessze a meghajtóegységet a daráló fedeléhez **5**, majd jobbra elfordítva rögzítse.
  - 7 Dugja be a hálózati csatlakozódugót a konnektorba. Tartsa a tálat stabilan. Majd nyomja le a Turbó gombot. Vagy pedig többször röviden nyomja le a Turbó gombot, hogy pulzáló hatást érjen el.
  - 8 Használat után húzza ki a dugót a konnektorból, és szerelje szét a készüléket.
- ⓔ Fém Masherpro™ (ha tartozék)**
- fontos**
- Soha ne használja a paszírozót közvetlenül a tűzhelyre tett lábostban. Mindig vegye le a lábost a tűzről és hagyja kicsit lehűlni.
  - Ne üsse a paszírozót a főzőedény oldalához paszírozás közben vagy utána. Az óramutató járásával megegyező irányban spatulával kaparja le a felesleges ételt.
  - A legjobb eredmény elérése érdekében paszírozás közben sose töltsen fel a lábost stb. a felénél jobban.
- 1 A kemény zöldségeket és gyümölcsöket a pépesítés előtt főzze meg és csepegtesse le.
  - 2 Illessze a paszírozó csatlakozóját a paszírozó tengelyéhez, és jobbra elfordítva rögzítse **6**.
  - 3 Illessze a durva vagy a finom szűrőlapot a paszírozó tengelyére – jobbra elfordítva rögzítse **7**.
  - 4 Fordítsa fel a paszírozót és tegye a lapátot a központi agyra, és fordítsa el jobbra, hogy a helyére kerüljön **8**. **(Ha a csatlakozó nincs megfelelően felszerelve, akkor a lapát nem rögzül a helyén).**
  - 5 Illessze a meghajtóegységet a szerelvényhez, majd jobbra elfordítva rögzítse.
  - 6 Dugja be a hálózati csatlakozódugót a konnektorba.
  - 7 Tegye a paszírozót a lábostba. Válasszon egy alacsony sebességet, majd nyomja le a bekapcsológombot (lásd a felhasználási útmutató táblázatát).
  - Mozgassa a paszírozót fel és le a keverékben a kívánt eredmény eléréséig.
  - 8 Használat után engedje fel a bekapcsológombot és húzza ki a dugót a konnektorból.
  - 9 Fordítsa el balra a meghajtóegységet, majd távolítsa el a szerelvényt.
  - 10 Vegye le a lapátot a paszírozóról az óramutató járásával ellentétes irányban.
  - 11 A szűrőlap eltávolítása: fordítsa el balra **9**, majd emelje le.
  - 12 Csavarja le a csatlakozót a paszírozó tengelyéről.

## választható tartozék (nincs a csomagban)

Mini daráló – a megrendelés módja a „szerviz és vevőszolgálat” című részben olvasható.

- Ügyeljen arra, hogy ne érjen az éles vágókésekhez.
- Bizonyos élelmiszerek, pl. sárgarépa, elszínezhetik a műanyagot. Növényi olajba mártott ruhával dörzsölve eltávolítható az elszíneződés.
- Ne használjon súrolószereket.

## karbantartás és tisztítás

- Tisztítás előtt mindig kapcsolja ki a készüléket, és a hálózati dugaszt is húzza ki a konnektorból.

## karbantartási és tisztítási útmutató

Részegység	Mosogatógépben tisztítható 	Tilos vízbe meríteni 	Kézi mosás 	Nedves ruhával való törlés 
Meghajtóegység	x	✓	x	✓
Keverőszár *	x	✓	x	✓
Soup XL PRO *	x	✓	x	✓
Habosító *	x	✓	x	✓
Bögre	✓	x	✓	✓
Bögrefedél	✓	x	✓	✓
Bögre gumigyűrű talpa	✓	x	✓	✓
Késvédő fedél	x	x	✓	✓
Daráló fedele	x	✓	x	✓
Daráló tál	✓	x	✓	✓
Daráló kés	✓	x	✓	✓
Daráló tál fedele	✓	x	✓	✓
Daráló tál gumigyűrű talp	✓	x	✓	✓
Habverő csatlakozója	x	✓	x	✓
Habverő	✓	x	✓	✓
Paszírozó tengely	x	✓	x	✓
Paszírozó lapát	✓	x	✓	✓
Paszírozó csatlakozó	x	✓	x	✓
Paszírozó	✓	x	✓	✓

\* Ha víz jutna be a tengelybe, csepegtesse le, és várja meg, amíg megszárad, csak utána használja.

## turmixgép keverőszára/soup XL PRO

vagy

- Töltsön meleg mosogatószeres vizet a bögrébe vagy egy hasonló edénybe, de ne töltsse tele. Csatlakoztassa a készüléket a hálózathoz, majd merítse a turmixgép keverőszárát vagy a levesturmixolót a vízbe, és kapcsolja be a készüléket.
- Áramtalanítsa, majd szárítsa meg, vagy
- Mossa el a késpengéket folyó vízzel, majd szárítsa meg alaposan.
- **Soha ne mártsa vízbe, és ne engedje, hogy folyadék jusson a hajtótengelybe. Ha mégis víz jutna be, csepegtesse le, és várja meg, amíg megszárad, csak utána használja.**
- **Ne mosogassa el mosogatógépben.**

**tipp a paszírozó talpának/ tengelyének és szűrőlapjainak tisztításához**

- Ha az étel beleszáradt a paszírozó toldatába, vegye ki a lapátot. Áztassa be a lapátot és a paszírozó tengelyének alját meleg vízbe, hogy fellazítsa az ételt, majd alaposan mossa le.
- **A paszírozó tengelyét soha ne mártsa vízbe, és ne engedje, hogy folyadék jusson a hajtótengelyhez. Ha mégis víz jutna be, csepegtesse le, és várja meg, amíg megszárad, csak utána használja.**  
**fontos** – ne hagyja, hogy a paszírozó csatlakozója átnedvesedjen.

## szerviz és vevőszolgálat

- Ha bármilyen problémát tapasztal a készülék használatában, olvassa el a használati utasítás „hibaelhárítási útmutató” fejezetét vagy látogasson el a [www.kenwoodworld.com](http://www.kenwoodworld.com) webhelyre, mielőtt segítséget kérne.
- A termékre garanciát vállalunk, amely megfelel az összes olyan előírásnak, amely a garanciális és a fogyasztói jogokat szabályozza abban az országban, ahol a terméket vásárolta.
- Ha a Kenwood termék meghibásodik, vagy bármilyen hibát észlel, akkor küldje el vagy vigye el egy hivatalos KENWOOD szervizközpontba. A legközelebbi hivatalos KENWOOD szervizközpontok elérhetőségét megtalálja a [www.kenwoodworld.com](http://www.kenwoodworld.com) weblapon vagy annak magyar verzióján.
- Tervezte és kifejlesztette a Kenwood az Egyesült Királyságban.
- Készült Kínában.



**FONTOS TUDNIVALÓK AZ  
EURÓPAI UNIÓ ELEKTROMOS ÉS  
ELEKTRONIKUS BERENDEZÉSEK  
HULLADÉKAIRA (WEEE)  
VONATKOZÓ IRÁNYELVÉRŐL**

A hasznos élettartamának végére érkezett készüléket nem szabad kommunális hulladékként kezelni. A termék az önkormányzatok által fenntartott szelektív hulladékgyűjtő helyeken vagy az ilyen szolgáltatást biztosító kereskedőknél adható le. Az elektromos háztartási készülékek szelektív hulladékkezelése lehetővé teszi a nem megfelelő hulladékkezelésből adódó esetleges, a környezetet és az egészséget veszélyeztető negatív hatások megelőzését és a készülék alkotóanyagainak újrahasznosítását, melynek révén jelentős energia- és forrásmegtakarítás érhető el. A terméken áthúzott kerekese kuka szimbólum emlékeztet az elektromos háztartási készülékek szelektív hulladékkezelésének szükségességére.

## hibaelhárítási útmutató

<b>Probléma</b>	<b>Ok</b>	<b>Megoldás</b>
A kézi turmixgép nem működik.	Nincs áramellátás  A kézi turmixgép nincs megfelelően összeszerelve	Ellenőrizze, hogy a kézi turmixgép csatlakozója be van-e dugva a konnektorba.  Ellenőrizze, hogy a tartozékok megfelelően vannak-e rögzítve a meghajtóegységhez.
A kézi turmixgép lelassul vagy gyengül a keverés közben.	A kiválasztott sebesség túl alacsony  Túllépte az ajánlott működési időt.	Növelje a sebességet  Sűrű anyagok keverésekor ne működtesse a kézi turmixgépet 50 másodpercnél hosszabb ideig, 4 perces időszakokat figyelembe véve, illetve habverésnél és habosításnál 3 percnél hosszabb ideig, 10 perces időszakokat figyelembe véve.
Túlzott kifröccsenés a feldolgozás során	A kiválasztott sebesség túl magas  Az edény, tál vagy serpenyő túl lapos vagy túl kicsi a feldolgozandó hozzávalókhöz.	Az indulásnál válasszon alacsonyabb sebességet, majd növelje, ahogy a keverék sűrűbb lesz.  Válasszon megfelelő méretű edényt. A bekapcsolás előtt merítse be a kést az ételbe.
A paszírozó lapát nem távolítható el a paszírozó szerelvényből	A paszírozó csatlakozó nem kapcsolódik a paszírozó tengelyhez.	Ellenőrizze, hogy a paszírozó csatlakozó kapcsolódjon a paszírozó tengelyhez.
A meghajtóegység felmelegszik működés közben.	Lehet, hogy az ajánlottnál hosszabb ideig használta az egységet.	Hagyja a készüléket teljesen lehűlni, mielőtt újra használná.
A keverés hatástalan.	A készülék sebessége nem felel meg a feldolgozandó hozzávalóknak.	Fokozatosan növelje a sebességet, és addig keverje, amíg a kívánt eredményt el nem éri.

# Polski

Przed czytaniem prosimy rozłożyć pierwszą stronę, zawierającą ilustracje

## bezpieczeństwo obsługi

- Przeczytać uważnie poniższą instrukcję i zachować na wypadek potrzeby skorzystania z niej w przyszłości.
- Usunąć wszelkie materiały pakunkowe i etykiety.
- Ze względów bezpieczeństwa uszkodzony przewód musi zostać wymieniony przez pracownika firmy Kenwood lub upoważnionego przez firmę Kenwood zakładu naprawczego w celu uniknięcia zagrożenia.
- Nie wolno dotykać ostrzy w czasie, gdy urządzenie jest podłączone do prądu.
- Nie zbliżać palców ani przyborów kuchennych do obracających się części urządzenia i nie dopuszczać, by w ich pobliżu dostały się włosy lub części garderoby.
- Po użyciu urządzenia i przed zmianą nasadek lub końcówek wyjąć wtyczkę z gniazda sieciowego.
- Nigdy nie miksować gorącego oleju ani tłuszczu.
- Ze względów bezpieczeństwa, przed miksowaniem najlepiej poczekać, aż gorące składniki płynne ostygną do temperatury pokojowej.
- Nie używać uszkodzonego blendera ręcznego. W razie awarii oddać go do sprawdzenia lub naprawy (zob. ustęp pt. „serwis i punkty obsługi klienta”).
- Nie zanurzać uchwyty zasilającego w wodzie ani nie dopuszczać do

zamoczenia przewodu sieciowego lub wtyczki z uwagi na ryzyko porażenia prądem.

- Nie dopuszczać, by przewód sieciowy stykał się z gorącymi przedmiotami lub zwiisał z blatów lub powierzchni w miejscach dostępnych dla dzieci.
- Nigdy nie stosować niekompatybilnych nasadek.
- Przed pozostawieniem blendera bez nadzoru oraz przed jego demontażem, montażem oraz czyszczeniem należy zawsze odłączyć go od źródła zasilania.
- Urządzenia mogą być użytkowane przez osoby o obniżonej sprawności fizycznej, zmysłowej lub umysłowej lub osoby niemające doświadczenia ani wiedzy na temat zastosowania tych urządzeń, o ile korzystają z nich pod nadzorem odpowiedniej osoby lub otrzymały instrukcje dotyczące ich bezpiecznej obsługi i rozumieją zagrożenia związane z ich użytkowaniem.
- Stosowanie urządzenia w sposób niezgodny z przeznaczeniem może grozić wypadkiem.
- Urządzenia nie wolno obsługiwać dzieciom. Urządzenie i przewód sieciowy należy przechowywać w miejscu niedostępnym dla dzieci.
- Dzieci należy nadzorować i nie dopuszczać, by bawiły się urządzeniem.
- Urządzenie jest przeznaczone wyłącznie do zgodnego z przeznaczeniem użytku domowego. Firma Kenwood nie ponosi odpowiedzialności za wypadki i uszkodzenia powstałe podczas



niewłaściwej eksploatacji urządzenia lub w wyniku nieprzestrzegania niniejszej instrukcji.

- Moc znamionowa oparta jest na wynikach końcówki siekającej. Pobór mocy innych przystawek może być mniejszy.

### **uwaga**

- Przy gęstych składnikach długi okres użytkowania blendera można osiągnąć nie używając urządzenia przez okres dłuższy niż 50 sekund ciągłej pracy w odstępach krótszych niż co cztery minuty.
- Końcówek do spieniania nie należy używać przez okres dłuższy niż 3 minuty ciągłej pracy w odstępach krótszych niż co 10 minut.

### **końcówka siekająca**

- Nie dotykać ostrzy.
- Przed opróżnieniem miski z końcówki zdjąć ostrze.
- Osłonę zdejmować wyłącznie po całkowitym zatrzymaniu się ostrzy.
- Podczas obsługi i mycia końcówkę siekającą chwytać wyłącznie za uchwyt i nie dotykać ostrzy.

#### **przed podłączeniem do sieci**

- Sprawdzić, czy napięcie sieciowe odpowiada danym znamionowym podanym na spodzie obudowy blendera ręcznego.
- Urządzenie spełnia wymogi rozporządzenia Wspólnoty Europejskiej nr 1935/2004 dotyczącego materiałów i wyrobów przeznaczonych do kontaktu z żywnością.

#### **przed pierwszym użyciem**

- Osłony ostrzy końcówki siekającej można wyrzucić, ponieważ służą do ochrony ostrzy wyłącznie podczas produkcji i przewożenia. Zachować ostrożność, ponieważ ostrza są bardzo ostre.
- Umyć części (zob. część pt. „konserwacja i czyszczenie”).

## oznaczenia

### blender ręczny

- ① regulator prędkości
- ② WŁĄCZNIK
- ③ przycisk Turbo
- ④ uchwyt zasilający
- ⑤ końcówka miksująca z potrójnym ostrzem „triblade”
- ⑥ osłona ostrzy

### dzbanek (jeżeli załączony w zestawie)

- ⑦ pokrywa dzbanka
- ⑧ dzbanek
- ⑨ gumowa podstawka pierścieniowa

### Ⓐ końcówka SOUP XL PRO do zup (jeżeli załączona w zestawie)

- ⑩ końcówka soup XL PRO
- ⑪ osłona ostrzy

### Ⓑ trzepaczka (jeżeli załączona w zestawie)

- ⑫ kołnierz trzepaczki
- ⑬ trzepaczka

### Ⓒ końcówka do spieniania (jeżeli załączona w zestawie)

- ⑭ końcówka do spieniania

### Ⓓ końcówka siekająca (jeżeli załączona w zestawie)

- ⑮ osłona końcówki siekającej
- ⑯ uchwyt
- ⑰ ostrza końcówki siekającej
- ⑱ miska
- ⑲ gumowa podstawka pierścieniowa
- ⑳ pokrywa miski

### Ⓔ metalowy tłuczek masherpro™ (jeżeli załączona w zestawie)

- ㉑ kołnierz tłuczka
- ㉒ trzonek tłuczka
- ㉓ sitko drobne
- ㉔ sitko grube
- ㉕ łopatką tłuczka

## tabela zaleceń

Składniki/ przepis	Pojemnik	Prędkość	Czas pracy *	Maks. ilość
<b>Blender ręczny</b>				
Zupy	2-litrowy garnek	Turbo	25 sekund	1 l
Majonez	1-litrowy dzbanek	Turbo	45-60 sekund	4 jaja 600 ml oleju
Przeciery dla niemowląt	1-litrowy dzbanek	Turbo	30-40 sekund	300 g
Koktajle mleczne/ <i>smoothie</i>	1-litrowy dzbanek	Turbo	30 sekund	800 ml
<b>Końcówka soup XL PRO do zup</b>				
Zupy	4-litrowy garnek	Turbo	25 sekund	2 l
<b>Trzepaczka</b>				
Białka	Duża szklana miska	Turbo	2-3 minuty	4 (150 g)
Śmietana	Duża szklana miska	Turbo	2-2 ½ minuty	400 ml
<b>Końcówka siekająca</b>				
Siekanie mięsa	Miska końcówki siekającej	Turbo	10-15 sekund	250 g
Zioła	Miska końcówki siekającej	Turbo	5-10 sekund	30 g
Orzechy	Miska końcówki siekającej	Turbo	10-15 sekund	200 g
Chleb	Miska końcówki siekającej	Turbo	5-10 sekund	1 kromka
Cebula	Miska końcówki siekającej	Tryb pracy przerywanej	–	200 g

\* Wartości te służą jedynie za wskazówkę i będą różne w zależności od konkretnego przepisu i rodzaju używanych składników.

## tabela zaleceń

<b>Składniki/ przepis</b>	<b>Pojemnik</b>	<b>Prędkość</b>	<b>Czas pracy *</b>	<b>Maks. ilość</b>
Ciastka	Miska końcówki siekającej	Turbo	15 sekund	140 g
Pasztety	Miska końcówki siekającej	Turbo	5-10 sekund	150 g
Marynata śliwkowa 50 g Małe, miękkie śliwki 400 g Płynny miód 35 g Wody  Składniki umieścić w misce końcówki siekającej w kolejności podanej powyżej. Zamocować pokrywę i wstawić na noc do lodówki.	Miska końcówki siekającej	Turbo	3 sekund	485 g
<b>Metalowy tłuczek masher PRO – sitko grube</b>				
<b>Gotowane warzywa</b> (ziemniaki, brukiew, marchew i porzeczki)	Duży garnek/ duża miska	Minimalna	30-40 sekund	600–800 g
<b>Metalowy tłuczek masher PRO – sitko drobne</b>				
Gotowane ziemniaki	Duży garnek/ duża miska	Minimalna	30-40 sekund	600–800 g
<b>Miękkie owoce</b> Maliny Morele	Duża miska 1-litrowy garnek	Minimalna Minimalna	30-40 sekund 30-40 sekund	500 g 400 g (namoczone w wodzie)
<b>Końcówka do spieniania</b>				
Zimne mleko	1-litrowy dzbanek	Minimalna	15-20 sekund	400 ml
Ciepłe mleko – podgrzane w garnku do momentu, aż zacznie się gotować	1-litrowy dzbanek	Minimalna	15-20 sekund	300 ml
(Użycie zimnego mleka odtłuszczonego daje najlepsze wyniki)				
Pianka na bazie owoców	1-litrowy dzbanek	Minimalna	30 sekund	(200 g przecieru owocowego + 200 ml wody)

\* Wartości te służą jedynie za wskazówkę i będą różne w zależności od konkretnego przepisu i rodzaju używanych składników.

## **eksploatacja ręcznego blendera**

- Urządzenia można używać do miksowania, zup, sosów, koktajli mlecznych, majonezu, żywności dla niemowląt itp.

### **miksowanie w dzbanku (jeżeli załączony w zestawie)**

- Do spodu dzbanka przymocować gumową podstawkę pierścieniową ⑨ (zapobiega to ślizganiu się dzbanka po blacie).
- Nie napełniać dzbanka powyżej  $\frac{2}{3}$  wysokości.
- Po zakończeniu miksowania na dzbanek można założyć pokrywkę ⑦.

### **Uwaga**

Jeżeli do zestawu nie został załączony dzbanek, należy użyć pojemnika odpowiedniej wielkości. Zalecamy wysoki pojemnik o prostych ściankach i średnicy nieco większej niż stopa blendera ręcznego, co pozwoli składnikom przemieszczać się, ale wystarczająco wysoki, by zapobiegać pryskaniu.

### **miksowanie bezpośrednio w garnku**

- Ze względów bezpieczeństwa, przed miksowaniem najlepiej zdjąć garnek z ognia i zaczekać, aż gorące składniki płynne ostygną do temperatury pokojowej.
- Aby szybko zmiksować zupę bądź inną potrawę bezpośrednio w garnku, użyć końcówki soup XL PRO (jeżeli załączony w zestawie). Można także użyć blendera ręcznego.
- **Nie używaj końcówki miksującej do zup do rozdrabniania surowych warzyw.**

- 1 Z końcówki miksującej lub końcówki soup XL PRO zdjąć osłonę ostrzy ⑥ lub ⑪.

- 2 Na trzpień w górnej części końcówki nałożyć uchwyt zasilający i przekręcić go w kierunku zgodnym z ruchem wskazówek zegara, aby go zablokować ①.

- 3 Podłączyć urządzenie do źródła zasilania.

- 4 Umieścić składniki w dzbanku lub podobnym pojemniku i – utrzymując pojemnik w stabilnej pozycji – za pomocą regulatora prędkości wybrać żądaną prędkość, a następnie nacisnąć WŁĄCZNIK.

Aby miksować wolniej i zminimalizować rozpryskiwanie się składników, wybrać niską prędkość obrotów. By miksować szybciej, wybrać wyższą prędkość lub przycisk „Turbo”, (zob. tabela zaleceń).

- **Aby uniknąć rozchlapywania składników, przed włączeniem urządzenia zanurzyć ostrza końcówki w składnikach.**

- Nie zanurzać końcówki miksującej w składnikach płynnych głębiej niż powyżej miejsca, w którym łączy się ona z uchwytem zasilającym.

- Ugniatać składniki poprzez przesuwanie końcówki w naczyniu w górę i dół lub mieszanie, aby je połączyć ze sobą.

- **Blender ręczny nie jest przeznaczony do kruszenia lodu.**

- Jeżeli dojdzie do zatkania się końcówki, przed usunięciem blokujących ją składników odciąć dopływ zasilania do blendera.

- 5 Po zakończeniu pracy zwolnić WŁĄCZNIK lub przycisk „Turbo”. Wyjąć wtyczkę z gniazda sieciowego i przekręcić uchwyt zasilający w kierunku przeciwnym do ruchu wskazówek zegara, aby zdjąć końcówkę z uchwytu.

## **ⓑ eksploatacja trzepaczki**

- Trzepaczka umożliwia ubijanie lekkich składników, np. białek jaj, śmietany i deserów błyskawicznych.
  - Używanie trzepaczki do ubijania gęstych składników, np. tłuszczu z cukrem, spowoduje jej uszkodzenie.
- 1 Wsunąć trzepaczkę do kołnierza trzepaczki ②.
  - 2 Do kołnierza trzepaczki przymocować uchwyt, a następnie przekręcić go w kierunku zgodnym z ruchem wskazówek zegara, aby go zablokować.
  - 3 Składniki umieścić w odpowiednim naczyniu, np. misce.
  - 4 Podłączyć urządzenie do sieci i wcisnąć WŁĄCZNIK. Aby ubijać szybciej, wybrać wyższą prędkość obrotów lub wcisnąć przycisk „Turbo”. Podczas ubijania wykonywać blenderem obroty w kierunku zgodnym z ruchem wskazówek zegara. Aby zminimalizować rozpryskiwanie, wybrać niską prędkość obrotów, a następnie nacisnąć WŁĄCZNIK.
- Nie zanurzać końcówki w składnikach powyżej metalowych drutów trzepaczki.
- 5 Po zakończeniu pracy zwolnić WŁĄCZNIK lub przycisk „Turbo”, wyjąć wtyczkę z gniazda sieciowego i rozmontować blender.

## **ⓒ eksploatacja końcówki do spieniania (jeżeli załączono w zestawie)**

- Nigdy nie dodawać składników podczas pracy urządzenia.
  - Miksując gorące składniki płynne, zachować ostrożność i nie umieszczać w dzbanku więcej niż 300 ml składników.
  - Nie spieniać w dzbanku więcej niż 400 ml zimnego mleka, ponieważ w miarę gęstnienia i spieniania się mleko może zacząć się wylewać.
- 1 Na trzpień w końcówce do spieniania nasadzić uchwyt zasilający. Przekręcić uchwyt w

kierunku zgodnym z kierunkiem wskazówek zegara, aby go zablokować.

- 2 Rozpocząć miksowanie na niskich obrotach, w razie potrzeby zwiększając prędkość.

### **wskazówki**

- **Aby się nie pochlapać, najpierw zanurzyć końcówkę w składnikach, a dopiero potem włączyć urządzenie. Należy pamiętać, że podczas pracy urządzenia dolna część końcówki do spieniania powinna być przez cały czas w pełni zanurzona w składnikach.**
- W dzbanku zawsze umieszcza najpierw składniki płynne.
- Przed dodaniem owoców należy je zawsze przetrzeć na gładko.
- Używając syropów owocowych i składników w proszku, należy dodawać je tuż przed rozpoczęciem miksowania, aby zapobiec ich opadaniu na dno dzbanka.
- Najlepsze wyniki uzyskamy, gdy wszystkie składniki płynne będą mieć możliwie najniższą temperaturę.
- Napoje mleczne są najsmaczniejsze, gdy użyte mleko jest bardzo zimne. Im zimniejsze jest mleko, tym bardziej gęsty i lepiej spieniony będzie przygotowany z niego napój. Mleko odtłuszczone spienia się lepiej niż mleko półtłuste i tłuste.
- Za pomocą końcówki do spieniania nie wolno próbować miksować owoców mrożonych ani kruszyć lodu.
- Przed spienianiem lodów większe kawałki pokruszyć.

### **ⓓ użytkowanie końcówki siekającej (jeżeli załączono w zestawie)**

- Końcówki można używać do siekania mięsa, warzyw, ziół, chleba, ciastek i orzechów.
- Końcówki nie należy używać do siekania twardych składników, takich jak kawa, kostki lodu, przyprawy korzenne czy

- czekolada, ponieważ może to spowodować uszkodzenie ostrzy.
- 1 Przed rozpoczęciem siekania usunąć wszelkie kości i pokroić składniki w kostkę wielkości 1-2 cm.
  - 2 Do spodu miski przymocować gumową podstawkę pierścieniową ⑱ (zapobiega to ślizganiu się miski po blacie).
  - 3 Końcówkę siekającą zamocować na znajdującym się wewnątrz miski bolcu ③.
  - 4 Włożyć składniki.
  - 5 Założyć i przekręcić osłonę końcówki siekającej, aby ją zablokować w odpowiednim miejscu ④.
  - 6 Do osłony końcówki siekającej ⑤ przymocować uchwyt zasilający i przekręcić go w kierunku zgodnym z ruchem wskazówek zegara, aby go zablokować.
  - 7 Podłączyć urządzenie do prądu. Przytrzymując miskę w stabilnej pozycji, wcisnąć przycisk „Turbo”. Można także wcisnąć i zwalniać przycisk, aby siekać w trybie pracy przerywanej.
  - 8 Po użyciu wyjąć wtyczkę z gniazda sieciowego i rozmontować blender.
- Ⓔ **Metalowy tłuczek Masherpro™ (jeżeli załączono w zestawie)**
- uwaga**
- Nie używać tłuczka w garnku znajdującym się bezpośrednio nad źródłem ciepła. Należy zawsze najpierw zdjąć garnek z ognia i zaczekać, aż nieco ostygnie.
  - Podczas pracy ani po jej zakończeniu nie należy postukiwać tłuczkiem o boki naczynia. Aby usunąć znajdujące się na nim resztki składników, użyć łyżki bądź łopatkę.
  - Najlepsze wyniki uzyskuje się wypełniając naczynie nie więcej niż do połowy.
- 1 Przed tłuczeniem twarde warzywa i owoce najpierw ugotować i odcedzić.
  - 2 Przymocować kołnierz tłuczka do trzonka, przekręcając go w kierunku zgodnym z ruchem wskazówek zegara do momentu, aż zablokuje się we właściwym położeniu ⑥.
  - 3 Zamocować jedno z sitek na trzonku tłuczka – przekręcając w kierunku zgodnym z ruchem wskazówek zegara, aby je zablokować ⑦.
  - 4 Odwrócić tłuczek do góry nogami i przymocować łopatkę, umieszczając ją na środkowej piaście i przekręcając w kierunku przeciwnym do ruchu wskazówek zegara, aby zablokować ją w bezpiecznej pozycji ⑧. **(Jeżeli kołnierz nie zostanie założony, zablokowanie łopatkę we właściwym miejscu nie będzie możliwe).**
  - 5 Przymocować uchwyt zasilający do zmontowanego tłuczka i przekręcić go w kierunku zgodnym z ruchem wskazówek zegara, aby go zablokować.
  - 6 Podłączyć urządzenie do sieci.
  - 7 Tłuczek umieścić w garnku, misce itp. Regulator prędkości ustawić na niskiej prędkości obrotów, a następnie nacisnąć WŁĄCZNIK (zob. tabela zaleceń).
  - Podczas tłuczenia przesuwać tłuczek w górę i w dół do momentu, aż składniki uzyskają żadaną konsystencję. W razie konieczności zwiększyć prędkość.
  - 8 Po zakończeniu pracy zwolnić WŁĄCZNIK i wyjąć wtyczkę z gniazda sieciowego.
  - 9 Przekręcić uchwyt zasilający w kierunku przeciwnym do ruchu wskazówek zegara i odłączyć od tłuczka.
  - 10 Łopatkę przekręcić w kierunku zgodnym z ruchem wskazówek zegara i wyjąć.
  - 11 Zdjąć sitko, przekręcając je w kierunku przeciwnym do ruchu wskazówek zegara ⑨, a następnie zdejmując.
  - 12 Odkręcić kołnierz od trzonka tłuczka.

**dotatkowa nasadka  
(niezałączona w zestawie)**

Mini rozdrabniacz – informacje dotyczące sposobu zamawiania znajdują się w części pt. „serwis i punkty obsługi klienta”.

**obsługa i czyszczenie**

- Przed czyszczeniem zawsze wyłączyć urządzenie i wyjąć wtyczkę z gniazdka sieciowego.
- Nie dotykać ostrzy.
- Niektóre składniki (np. marchewka) mogą spowodować przebarwienie plastikowych elementów urządzenia. Pocieranie plam szmatką umoczoną w oleju roślinnym może pomóc je usunąć.
- Nie używać środków zawierających substancje ściernie.

**konserwacja i czyszczenie – wskazówki**

Element	Można myć w zmywarce 	Nie zanurzać w wodzie 	Myć ręcznie 	Wyrzeć wilgotną szmatką 
Uchwyt zasilający	x	✓	x	✓
Końcówka miksująca blendera *	x	✓	x	✓
Końcówka soup XL PRO *	x	✓	x	✓
Końcówka do spieniania *	x	✓	x	✓
Dzbanek	✓	x	✓	✓
Pokrywa dzbanka	✓	x	✓	✓
Gumowa podstawka pierścieniowa dzbanka	✓	x	✓	✓
Oslona ostrzy	x	x	✓	✓
Oslona końcówki siekającej	x	✓	x	✓
Miska końcówki siekającej	✓	x	✓	✓
Ostrza końcówki siekającej	✓	x	✓	✓
Pokrywa miski końcówki siekającej	✓	x	✓	✓
Gumowa podstawka pierścieniowa miski końcówki siekającej	✓	x	✓	✓
Kołnierz trzepaczki	x	✓	x	✓
Trzepaczka	✓	x	✓	✓
Trzonek tłuczka	x	✓	x	✓

\* Jeżeli do środka końcówki dostanie się woda, należy ją wylać i osuszyć końcówkę przed jej ponownym użyciem.

## konserwacja i czyszczenie – wskazówki

Element	Można myć w zmywarce 	Nie zanurzać w wodzie 	Myć ręcznie 	Wyrzeć wilgotną szmatką 
Łopatką tłuszczka	✓	x	✓	✓
Kołnierz tłuszczka	x	✓	x	✓
Tłuczek	✓	x	✓	✓

\* Jeżeli do środka końcówki dostanie się woda, należy ją wylać i osuszyć końcówkę przed jej ponownym użyciem.

### końcówka miksująca blendera ręcznego/końcówka soup XL PRO

albo

- Częściowo napełnić dzbanek lub podobny pojemnik ciepłą wodą z dodatkiem płynu do mycia naczyń. Podłączyć blender do prądu i założyć końcówkę miksującą blendera lub końcówkę do zup. Włączyć blender.
- Wyjąć wtyczkę z gniazda sieciowego, a następnie wysuszyć końcówkę miksującą, albo
- Umyć noże pod bieżącą wodą, następnie dokładnie osuszyć.
- **Nie zanurzać w wodzie i nie dopuszczać, by woda dostała się do wewnątrz końcówki. Jeżeli woda dostanie się do środka, należy ją wylać i osuszyć końcówkę przed ponownym użyciem urządzenia.**
- **Nie myć w zmywarce do naczyń.**

### wskazówki dotyczące czyszczenia stopy/trzonka oraz sitek tłuszczka

- Jeżeli na końcówce do tłuczenia znajdują się zaschnięte składniki, zdjęć łopatkę tłuszczka. Łopatkę i spód trzonka tłuszczka umieścić w ciepłej wodzie, aby odmoczyć zaschnięte resztki, a następnie dobrze je umyć.

- **Nie zanurzać trzonka tłuszczka w wodzie ani nie dopuszczać, by woda lub inny płyn dostał się do jego środka. Jeżeli woda dostanie się do środka, należy ją wylać i osuszyć końcówkę przed ponownym użyciem urządzenia.**

**uwaga** – nie dopuszczać do zamoczenia kołnierza tłuszczka.

## serwis i punkty obsługi klienta

- W razie wszelkich problemów z obsługą urządzenia przed zwróceniem się o pomoc należy zapoznać się ze wskazówkami w części pt.: „rozwiązywanie problemów” w instrukcji obsługi urządzenia lub odwiedzić stronę internetową [www.kenwoodworld.com](http://www.kenwoodworld.com).
- Prosimy pamiętać, że niniejszy produkt objęty jest gwarancją, która spełnia wszystkie wymogi prawne dotyczące wszelkich istniejących praw konsumenta oraz gwarancyjnych w kraju, w którym produkt został zakupiony.



- W razie wadliwego działania produktu marki Kenwood lub wykrycia wszelkich usterek prosimy przesłać lub dostarczyć urządzenie do autoryzowanego punktu serwisowego firmy KENWOOD. Aktualne informacje na temat najbliższych punktów serwisowych firmy KENWOOD znajdują się na stronie internetowej firmy, pod adresem [www.kenwoodworld.com](http://www.kenwoodworld.com) lub adresem właściwym dla danego kraju.
- Zaprojektowała i opracowała firma Kenwood w Wielkiej Brytanii.
- Wyprodukowano w Chinach.



**WAŻNE INFORMACJE  
DOTYCZĄCE PRAWDŁOWEGO  
USUWANIA PRODUKTU,  
ZGODNEGO Z WYMOGAMI  
DYREKTYWY WSPÓLNOTY  
EUROPEJSKIEJ W SPRAWIE  
ZUŻYTEGO SPRZĘTU  
ELEKTRYCZNEGO I  
ELEKTRONICZNEGO (WEEE)**

Po zakończeniu okresu użytkowania produktu nie wolno wyrzucać razem z innymi odpadami komunalnymi.

Należy go dostarczyć do prowadzonego przez władze miejskie punktu zajmującego się segregacją odpadów lub zakładu oferującego tego rodzaju usługi.

Osobne usuwanie sprzętu AGD pozwala uniknąć szkodliwego wpływu na środowisko naturalne i zdrowie ludzkie, wynikającego z nieodpowiedniego usuwania tego rodzaju sprzętu, oraz umożliwia odzyskiwanie materiałów, z których sprzęt ten został wykonany, a w konsekwencji znaczną oszczędność energii i zasobów naturalnych. O konieczności osobnego usuwania sprzętu AGD przypomina umieszczony na produkcie symbol przekreślonego pojemnika na śmieci.

## rozwiązywanie problemów

<b>Problem</b>	<b>Przyczyna</b>	<b>Rozwiązanie</b>
Blender ręczny nie działa	Brak dopływu zasilania  Blender nie został prawidłowo zmontowany	Sprawdzić, czy blender jest podłączony do prądu  Sprawdzić, czy końcówka została prawidłowo przymocowana do uchwyty zasilającego
Blender ręczny zwalnia lub przesila się podczas pracy.	Wybrana prędkość obrotów jest zbyt niska  Przekroczono zalecany czas pracy	Zwiększyć prędkość obrotów  Nie używać blendera przez czas dłuższy niż 50 sekund ciągłej pracy w odstępach krótszych niż 4 minuty w przypadku gęstych składników, a trzepaczki i końcówki do spieniania przez okres dłuższy niż 3 minuty ciągłej pracy w odstępach krótszych niż 10 minut
Podczas pracy składniki są nadmiernie rozchlapywane	Wybrana prędkość obrotów jest zbyt wysoka  Użyty pojemnik, miska lub garnek jest zbyt płytki lub zbyt mały w stosunku do miksowanych składników	Na początku pracy użyć niższej prędkości obrotów i zwiększać ją w miarę gęstnienia składników  Wybrać pojemnik odpowiedniej wielkości. Przed włączeniem urządzenia zanurzyć ostrza końcówki w składnikach.
Łopatki tłuczka nie można zdjąć ze złożonego tłuczka	Kołnierz tłuczka nie jest podłączony do trzpienia tłuczka	Kołnierz musi być podłączony do trzpienia tłuczka
Podczas pracy uchwyt zasilający staje się gorący	Urządzenie było prawdopodobnie używane przez nadmierny okres czasu	Przed ponownym użyciem poczekać, aż urządzenie całkowicie ostygnie
Składniki nie są miksowane	Wybrana prędkość obrotów może nie być odpowiednia do rodzaju miksowanych składników	Stopniowo zwiększać prędkość i miksować do momentu uzyskania żądanej konsystencji

## Ασφάλεια

- Διαβάστε προσεκτικά τις οδηγίες και φυλάξτε τις για μελλοντική αναφορά.
- Αφαιρέστε τη συσκευασία και τυχόν ετικέτες.
- Εάν το βύσμα ή το καλώδιο υποστεί ζημιά, πρέπει, για λόγους ασφαλείας, να αντικατασταθεί από την Kenwood ή από εξουσιοδοτημένο τεχνικό της Kenwood προκειμένου να αποφευχθεί ενδεχόμενος κίνδυνος.
- Μην αγγίζετε τις λεπίδες όταν η συσκευή είναι συνδεδεμένη στο ρεύμα.
- Κρατήστε μακριά από τα κινούμενα μέρη της συσκευής τα δάχτυλα, τα μαλλιά και τα ρούχα σας καθώς επίσης και τα μαχαιροπήρουνα.
- Μετά τη χρήση και πριν αλλάξετε εξέρτημα, αποσυνδέετε τη συσκευή από το ρεύμα.
- Μην αναμιγνύετε ποτέ ζεστό λάδι ή μαγειρικό λίπος.
- Για ασφαλέστερη χρήση, συνιστάται να αφήνετε τα ζεστά υγρά να κρυώσουν έως ότου φθάσουν σε θερμοκρασία δωματίου προτού τα αναμείξετε.
- Μη χρησιμοποιείτε ποτέ το μπλέντερ εάν είναι χαλασμένο. Ελέγξτε το ή επισκευάστε το: δείτε σχετικά το κεφάλαιο “σέρβις και εξυπηρέτηση πελατών”.
- Μη βάζετε ποτέ τον κινητήρα-χειρολαβή μέσα στο νερό και μην αφήνετε το καλώδιο τροφοδοσίας ή το φισ να

βραχούν διότι μπάρχει κίνδυνος ηλεκτροπληξίας.

- Μην αφήνετε ποτέ το καλώδιο τροφοδοσίας να αγγίζει θερμές επιφάνειες ή να κρέμεται από μέρη που μπορεί να το αρπάξει κάποιο παιδί.
- Μη χρησιμοποιείτε ποτέ εξαρτήματα που δεν είναι εγκεκριμένα.
- Να αποσυνδέετε πάντα το μίξερ χειρός από την παροχή ρεύματος εάν δεν το επιβλέπει κάποιος καθώς και πριν από τη συναρμολόγηση, την αποσυναρμολόγηση και τον καθαρισμό.
- Οι συσκευές μπορούν να χρησιμοποιούνται από άτομα με μειωμένες σωματικές, αισθητηριακές ή νοητικές ικανότητες ή έλλειψη πείρας και γνώσης, εφόσον βρίσκονται υπό επίβλεψη ή τους έχουν δοθεί οδηγίες για την ασφαλή χρήση της συσκευής και εφόσον κατανοούν τους σχετικούς κινδύνους.
- Η κακή χρήση της συσκευής σας μπορεί να προκαλέσει τραυματισμό.
- Αυτή η συσκευή δεν πρέπει να χρησιμοποιείται από παιδιά. Φυλάσσετε τη συσκευή και το καλώδιό της μακριά από παιδιά.
- Τα παιδιά θα πρέπει να βρίσκονται υπό παρακολούθηση, έτσι ώστε να διασφαλίζεται ότι δεν παίζουν με τη συσκευή.
- Να χρησιμοποιείτε τη συσκευή μόνο για την οικιακή χρήση για την οποία προορίζεται. Η Kenwood δεν θα φέρει καμία ευθύνη εάν η συσκευή χρησιμοποιηθεί με ακατάλληλο τρόπο ή

σε περίπτωση μη συμμόρφωσης με αυτές τις οδηγίες.

- Η ονομαστική ισχύς βασίζεται στο εξάρτημα κόφτη. Τα υπόλοιπα εξαρτήματα ενδέχεται να καταναλώνουν λιγότερη ισχύ.

### **σημαντικό**

- Προκειμένου να διασφαλίσετε τη μακροβιότητα της συσκευής σας, για τα πυκνά μείγματα, μην χρησιμοποιείτε το μπλέντερ χειρός για περισσότερο από 50 δευτερόλεπτα, σε διάστημα τεσσάρων λεπτών.
- Μην χρησιμοποιείτε το αναδευτήρι ή το ακροφύσιο ατμού/εργαλείο αφρού για περισσότερο από 3 λεπτά, σε διάστημα 10 λεπτών.

### **εξάρτημα κόφτη**

- Μην αγγίζετε τις κοφτερές λεπίδες.
- Αφαιρέστε τον άξονα του κόφτη προτού αδειάσετε το μπολ.
- Μην αφαιρείτε ποτέ το καπάκι, εάν ο άξονας του κόφτη δεν έχει ακινητοποιηθεί εντελώς.
- Όταν χειρίζεστε ή καθαρίζετε τον άξονα του κόφτη, να τον κρατάτε πάντα από τη λαβή, μακριά από τις λεπίδες κοπής.

#### **προτού συνδέσετε τη συσκευή στην πρίζα**

- Βεβαιωθείτε ότι η τάση του ηλεκτρικού ρεύματος είναι ίδια με εκείνη που αναγράφεται στο μπλέντερ χειρός.
- Αυτή η συσκευή συμμορφώνεται με τον Κανονισμό ΕΚ 1935/2004 σχετικά με τα υλικά και τα αντικείμενα που προορίζονται να έρθουν σε επαφή με τρόφιμα.

#### **πριν από την πρώτη χρήση**

- Πετάξτε το κάλυμμα λεπίδων που καλύπτει τη λεπίδα του κόφτη, καθώς προορίζεται για να την προστατεύει μόνο κατά την κατασκευή και τη μεταφορά. Να προσέχετε καθώς οι λεπίδες είναι πολύ κοφτερές.
- Πλύνετε τα μέρη: δείτε την ενότητα «φροντίδα και καθαρισμός».

## επεξήγηση συμβόλων

- μπλέντερ χειρός**
- ① διακόπτης ταχύτητας
  - ② κουμπί λειτουργίας ON
  - ③ κουμπί τούρμπο
  - ④ λαβή τροφοδοσίας
  - ⑤ μεταλλικός άξονας μπλέντερ με ενσωματωμένο triblade.
  - ⑥ κάλυμμα λεπίδας
- κύπελλο (εάν παρέχεται)**
- ⑦ καπάκι κυπέλλου
  - ⑧ κύπελλο
  - ⑨ στρογγυλή βάση από καουτσούκ
- Ⓐ SOUP XL PRO (εάν παρέχεται)**
- ⑩ soup XL PRO
  - ⑪ κάλυμμα λεπίδας
- Ⓑ αναδευτήρι (εάν παρέχεται)**
- ⑫ στεφάνη αναδευτηριού
  - ⑬ συρμάτινο αναδευτήρι

- Ⓒ ακροφύσιο ατμού/εργαλείο άφρου (εάν παρέχεται)**
- ⑭ ακροφύσιο ατμού/εργαλείο άφρου
- Ⓓ κόφτης (εάν παρέχεται)**
- ⑮ καπάκι του κόφτη
  - ⑯ λαβή
  - ⑰ άξονας του κόφτη
  - ⑱ μπολ
  - ⑲ στρογγυλή βάση από καουτσούκ
  - ⑳ καπάκι του μπολ
- Ⓔ Μεταλλικό εξάρτημα masherpro™ (εάν παρέχεται)**
- ㉑ στεφάνη πολτοποιητή
  - ㉒ άξονας πολτοποιητή
  - ㉓ πλέγμα για ψιλό κόψιμο
  - ㉔ πλέγμα για χονδρό κόψιμο
  - ㉕ αναδευτήρας πολτοποιητή

## πίνακας συνιστώμενης χρήσης

Συστατικά/ συνταγή	Δοχείο	Ταχύτητα	Χρόνος Επεξεργασίας *	Μέγ. Χωρητικότητα
<b>Μπλέντερ χειρός</b>				
Σούπες	Κατσαρόλα 2 λίτρων	Turbo	25 δευτ.	1 λίτρο
Μαγιονέζα	Κύπελλο 1 λίτρου	Turbo	45-60 δευτ.	4 Αβγά 600 ml Λάδι
Βρεφικές τροφές	Κύπελλο 1 λίτρου	Turbo	30-40 δευτ.	300 g
Smoothie/ Μιλκσέικ	Κύπελλο 1 λίτρου	Turbo	30 δευτ.	800 ml
<b>Soup XL PRO</b>				
Σούπες	Κατσαρόλα 4 λίτρων	Turbo	25 δευτ.	2 λίτρα
<b>Αναδευτήρι</b>				
Ασπράδια αβγών	Μεγάλο γυάλινο μπολ	Turbo	2-3 λεπτά	4 (150 g)
Κρέμα	Μεγάλο γυάλινο μπολ	Turbo	2-2 ½ λεπτά	400 ml
<b>Εξάρτημα κόφτη</b>				
Κρέας	Μπολ κόφτη	Turbo	10-15 δευτ.	250 g
Μυρωδικά	Μπολ κόφτη	Turbo	5-10 δευτ.	30 g
Ξηροί καρποί	Μπολ κόφτη	Turbo	10-15 δευτ.	200 g
Ψωμί	Μπολ κόφτη	Turbo	5-10 δευτ.	1 φέτα
Κρεμμύδια	Μπολ κόφτη	Παλμική λειτουργία	-	200 g

\* Αυτές οι πληροφορίες είναι απλώς συμβουλευτικού χαρακτήρα και ποικίλλουν ανάλογα με τη συνταγή και τα υλικά που επεξεργάζεστε.

## Πίνακας συνιστώμενης χρήσης

Συστατικά/ συνταγή	Δοχείο	Ταχύτητα	Χρόνος Επεξεργασίας *	Μέγ. Χωρητικότητα
Μπισκότα	Μπολ κόφτη	Turbo	15 δευτ.	140 g
Πατέ	Μπολ κόφτη	Turbo	5-10 δευτ.	150 g
Μαρινάδα δαμάσκηνο 50 g Μικρά μαλακά δαμάσκηνα 400 g Λεπτόρρευστο μέλι 35 g Νερό  Προσθέστε τα υλικά στο μπολ του κόφτη με τη σειρά που αναφέρονται παραπάνω. Τοποθετήστε το καπάκι και αφήστε το όλη τη νύχτα στο ψυγείο.	Μπολ κόφτη	Turbo	3 δευτ.	485 g
<b>Μεταλλικός πολτοποιητής Masher Pro – Πλέγμα για χοντρό κόψιμο</b>				
<b>Μαγειρεμένα λαχανικά</b> (πατάτες, γογγύλια, καρότα και γιαμ [γλυκοπατάτες])	Μεγάλη κατσαρόλα/ Μεγάλο μπολ	ελάχιστη	30-40 δευτ.	600-800 g
<b>Μεταλλικός Πολτοποιητής Pro – Πλέγμα για ψιλό κόψιμο</b>				
Μαγειρεμένες πατάτες	Μεγάλη κατσαρόλα/ Μεγάλο μπολ	ελάχιστη	30-40 δευτ.	600-800 g
<b>Μαλακά φρούτα</b> Σμέουρα Βερίκοκα	Μεγάλο μπολ Κατσαρόλα 1 λίτρου	ελάχιστη ελάχιστη	30-40 δευτ. 30-40 δευτ.	500 g 400 g (μαλακωμένα σε νερό)
<b>Ακροφύσιο ατμού/Εργαλείο αφρού</b>				
Κρύο γάλα	Κύπελλο 1 λίτρου	ελάχιστη	15-20 δευτ.	400 ml
Ζεστό, γάλα ζεσταμένο σε κατσαρόλα έως ότου σιγοβράσει	Κύπελλο 1 λίτρου	ελάχιστη	15-20 δευτ.	300 ml
(Το κρύο αποβουτυρωμένο γάλα παράγει τον καλύτερο αφρό)				
Αφρός από φρούτα	Κύπελλο 1 λίτρου	ελάχιστη	30 δευτ.	(200 g Φρουτοπολτός + 200 ml νερό)

\* Αυτές οι πληροφορίες είναι απλώς συμβουλευτικού χαρακτήρα και ποικίλλουν ανάλογα με τη συνταγή και τα υλικά που επεξεργάζεστε.

### χρήση του μπλέντερ χειρός

- Μπορείτε να παρασκευάσετε σουπες, σάλτσες, milk σέικ, μαγιονέζα, βρεφικές τροφές κ.λπ.

### για ανάμειξη στο κύπελλο (εφόσον παρέχεται)

- Τοποθετήστε τη στρογγυλή βάση από καουτσούκ ⑨ στο κάτω μέρος του κυπέλλου. (Με τον τρόπο αυτό δεν θα γλιστράει το κύπελλο στην επιφάνεια εργασίας).
- Μη γεμίζετε το κύπελλο περισσότερο από τα  $\frac{3}{4}$  της χωρητικότητάς του.
- Μετά την ανάμειξη, μπορείτε να προσαρμόσετε το καπάκι ⑦ στο επάνω μέρος του κυπέλλου.

### Σημείωση

Εάν στο πακέτο σας δεν περιλαμβάνεται το κύπελλο, επιλέξτε ένα δοχείο κατάλληλου μεγέθους. Συνιστούμε ένα ψηλό δοχείο κυλινδρικού σχήματος, με διάμετρο ελαφρώς μεγαλύτερη από το κάτω μέρος του μπλέντερ χειρός, για να μπορούν τα συστατικά να αναμειχθούν, αλλά αρκετά ψηλό ώστε να αποφεύγεται το πιτσίλισμα.

### για ανάμειξη στην κατσαρόλα

- Για ασφαλέστερη χρήση, συνιστάται να αποσύρετε την κατσαρόλα από το μάτι και να αφήνετε τα ζεστά υγρά να κρυώσουν έως ότου φθάσουν σε θερμοκρασία δωματίου, προτού τα αναμείξετε.
- Χρησιμοποιήστε το μπλέντερ soup XL PRO (εάν παρέχεται) για να παρασκευάσετε γρήγορα σουπες κ.λπ. απευθείας μέσα στην κατσαρόλα. Εναλλακτικά, χρησιμοποιήστε το μπλέντερ χειρός.
- **Μην χρησιμοποιείτε το μπλέντερ για σουπες σε ωμά λαχανικά.**

- 1 Αφαιρέστε το κάλυμμα της λεπίδας ⑥ ή ⑪ από το άκρο του άξονα μπλέντερ/του soup XL PRO.
- 2 Τοποθετήστε τη λαβή τροφοδοσίας μέσα στον άξονα μπλέντερ ❶ και στρίψτε τη δεξιόστροφα έως ότου ασφαλίσει.

- 3 Συνδέστε το στην πρίζα

- 4 Τοποθετήστε τα τρόφιμα μέσα στο κύπελλο ή σε παρεμφερές δοχείο και έπειτα, κρατώντας σταθερά το κύπελλο:

Επιλέξτε την ταχύτητα που θέλετε με τον διακόπτη ταχύτητας και, στη συνέχεια, πατήστε το κουμπί λειτουργίας ON.

Επιλέξτε χαμηλή ταχύτητα για βραδύτερη ανάμειξη και ελαχιστοποίηση του πιτσίλισματος και υψηλότερη ταχύτητα ή turbo για γρήγορη ανάμειξη – (ανατρέξτε στον πίνακα συνιστώμενης χρήσης).

- **Για να αποφύγετε το πιτσίλισμα, τοποθετήστε τις λεπίδες μέσα στο φαγητό προτού θέσετε το μπλέντερ σε λειτουργία.**

- Μην αφήνετε το υγρό να φτάσει σε υψηλότερο επίπεδο από την ένωση μεταξύ του κινητήρα-χειρολαβή και του άξονα του μπλέντερ.
  - Ανακατέψτε το φαγητό με το μπλέντερ χειρός πολτοποιώντας ή αναμειγνύοντας τα υλικά έως ότου αποκτήσουν ομοιόμορφη υφή.
  - **Το μπλέντερ χειρός δεν είναι κατάλληλο για θρυμματισμό πάγου.**
  - Εάν το μπλέντερ σας μπλοκάρει, αποσυνδέστε το από την πρίζα προτού το καθαρίσετε.
- 5 Μετά τη χρήση, αφήστε το κουμπί λειτουργίας ON ή Turbo. Αποσυνδέστε τη συσκευή από την πρίζα και στρέψτε τη λαβή τροφοδοσίας αριστερόστροφα για να αφαιρέσετε τον άξονα του μπλέντερ από τη λαβή τροφοδοσίας.
- ⓑ **για να χρησιμοποιήσετε το χτυπητήρι για μαρέγκα**
- Μπορείτε να χτυπήσετε ελαφριά υλικά, όπως ασπράδια αυγών, κρέμα και επιδόρπια στιγμιαίας παρασκευής.
  - Μην αναδεύετε βαρύτερα μείγματα όπως βούτυρο και ζάχαρη – θα προκαλέσετε βλάβη στο αναδευτήρι.



- 1 Σπρώξτε το συρμάτινο χτυπητήρι μέσα στο κολάρο προσαρμογής ②.
- 2 Τοποθετήστε τη λαβή τροφοδοσίας στη στεφάνη του αναδευτηριού και στρίψτε δεξιόστροφα έως ότου ασφαλίσει.
- 3 Τοποθετήστε τα τρόφιμα μέσα σε ένα δοχείο.
- 4 Συνδέστε τη συσκευή στην πρίζα και πατήστε το κουμπί λειτουργίας ON. Για ανάδευση με μεγαλύτερη ταχύτητα, επιλέξτε υψηλότερη ταχύτητα ή πατήστε το κουμπί τούρμπο. Να περιστρέφεται το αναδευτήρι δεξιόστροφα. Για να μειώσετε το πιτσίλισμα, επιλέξτε μια χαμηλή ταχύτητα και πατήστε το κουμπί λειτουργίας ON.
- Μην αφήνετε υγρά να φτάνουν σε επίπεδο υψηλότερο από το συρμάτινο μέρος του εξαρτήματος.
- 5 Μετά τη χρήση, αφήστε το κουμπί λειτουργίας ON ή το κουμπί turbo, αποσυνδέστε τη συσκευή από την πρίζα και αποσυναρμολογήστε την.

### Ⓢ πώς χρησιμοποιείται το ακροφύσιο ατμού/εργαλείο αφρού (εάν παρέχεται)

- Ποτέ μην προσθέτετε υλικά την ώρα που λειτουργεί η συσκευή.
  - Να είστε προσεκτικοί όταν αναμειγνύετε ζεστά υγρά: μην επεξεργάζεστε πάνω από 300 ml στο κύπελλο.
  - Μην επεξεργάζεστε πάνω από 400 ml κρύο γάλα στο κύπελλο, διότι μπορεί να ξεχειλίσει καθώς γίνεται αφρός και πήζει.
- 1 Τοποθετήστε τον άξονα για το ακροφύσιο ατμού/εργαλείο αφρού στη λαβή τροφοδοσίας. Στρέψτε τη λαβή τροφοδοσίας δεξιόστροφα για να ασφαλίσει.
  - 2 Αρχίστε να αναμειγνύετε σε χαμηλή ταχύτητα και αυξήστε την εάν είναι απαραίτητο.
- ### συμβουλές
- Για να αποφεύγετε το πιτσίλισμα, τοποθετείτε το ακροφύσιο ατμού/εργαλείο αφρού μέσα στα τρόφιμα που πρόκειται να επεξεργαστείτε

**προτού το θέσετε σε λειτουργία. Να βεβαιώνεστε πάντα ότι το κάτω μέρος από το ακροφύσιο ατμού/εργαλείο αφρού είναι πλήρως βυθισμένο μέσα στα υλικά την ώρα που τα επεξεργάζεστε.**

- Πάντα να προσθέτετε πρώτα τα υγρά υλικά.
- Να πολτοποιείτε πάντα τα φρούτα έως ότου δημιουργηθεί ένας λειός πολτός, προτού τα προσθέσετε.
- Εάν χρησιμοποιείτε σιρόπι και μείγματα σε σκόνη, να τα προσθέτετε ακριβώς πριν τα αναμειξείτε για να μην κατακαθίσουν στο βάθος του σκεύους.
- Για καλύτερα αποτελέσματα, όλα τα υγρά υλικά πρέπει να είναι όσο το δυνατόν πιο κρύα.
- Τα ροφήματα με γάλα θα έχουν καλύτερη γεύση εάν το γάλα είναι παγωμένο. Όσο πιο κρύο είναι το γάλα, τόσο πιο πηχτό και αφρώδες θα είναι το ρόφημα. Το αποβουτυρωμένο γάλα παράγει πιο αφρώδες ρόφημα απ' ό,τι το ημιαποβουτυρωμένο ή το πλήρες γάλα.
- Μην προσπαθήσετε ποτέ να αναμειξείτε κατεψυγμένα φρούτα ή να θρυμματίσετε πάγο.
- Να κόβετε τα μεγάλα κομμάτια παγωτού προτού τα επεξεργαστείτε.

### Ⓢ πώς χρησιμοποιείται ο κόφτης (εάν παρέχεται)

- Μπορείτε να τεμαχίζετε κρέας, λαχανικά, χόρτα, ψωμί, μπισκότα και ξηρούς καρπούς.
  - Μην τεμαχίζετε σκληρά τρόφιμα, όπως κόκκους καφέ, παγάκια, μπαχαρικά ή σοκολάτα, γιατί η λεπίδα θα καταστραφεί.
- 1 Αφαιρέστε τυχόν κόκαλα και κόψτε τα τρόφιμα σε κύβους 1-2 εκ.
  - 2 Τοποθετήστε τη στρογγυλή βάση από καουτσούκ ⑨ στο κάτω μέρος του μπολ του κόφτη. (Με τον τρόπο αυτό το μπολ δεν θα γλιστρά στην επιφάνεια εργασίας).
  - 3 Προσαρμόστε τον άξονα του κόφτη επάνω στον πείρο του μπολ ③.

- 4 Βάλτε τα τρόφιμα μέσα στο μπολ.
- 5 Προσαρμόστε το καπάκι του κόφτη και περιστρέψτε το έως ότου ασφαλίσει ④.
- 6 Προσαρμόστε τη λαβή τροφοδοσίας στο καπάκι του κόφτη ⑤ – στρέψτε δεξιόστροφα για να ασφαλίσει.
- 7 Συνδέστε τη συσκευή στην πρίζα. Κρατήστε σταθερά το μπολ. Στη συνέχεια, πατήστε το κουμπί Turbo. Εναλλακτικά, πατάτε για λίγο και αφήνετε το κουμπί Turbo για παλμική λειτουργία.
- 8 Μετά τη χρήση, αποσυνδέστε και αποσυναρμολογήστε τη συσκευή.

### ⓔ **Μεταλλικό εξάρτημα masherpro™ (εάν παρέχεται)**

#### **σημαντική πληροφορία**

- Μην χρησιμοποιείτε ποτέ τον πολτοποιητή μέσα σε κατσαρόλα που θερμαίνεται άμεσα. Να αφαιρείτε πάντα την κατσαρόλα από την πηγή θερμότητας και να την αφήνετε να κρυώσει λίγο.
  - Μην χτυπάτε τον πολτοποιητή στα τοιχώματα του μαγειρικού σκεύους κατά τη διάρκεια ή μετά την πολτοποίηση. Χρησιμοποιήστε μια σπάτουλα για να απομακρύνετε την τροφή που περισσεύει.
  - Για καλύτερα αποτελέσματα όταν πολτοποιείτε, ποτέ μην γεμίζετε με φαγητό την κατσαρόλα ή κάποιο άλλο σκεύος πάνω από τη μέση.
- 1 Πρέπει να βράζετε και να στραγγίζετε τα σκληρά λαχανικά και φρούτα προτού τα πολτοποιήσετε.
  - 2 Προσαρμόστε τη στεφάνη του πολτοποιητή στον άξονα του πολτοποιητή στρέφοντάς τη δεξιόστροφα, έως ότου ασφαλίσει στη θέση του ⑥.
  - 3 Προσαρμόστε το πλέγμα χονδρού ή ψιλού κοψίματος στον άξονα του πολτοποιητή – στρέψτε δεξιόστροφα για να ασφαλίσει ⑦.
  - 4 Αναποδογυρίστε τον πολτοποιητή, προσαρμόστε τον αναδευτήρα στο κέντρο και στρέψτε τον αριστερόστροφα έως ότου ασφαλίσει ⑧.

**(Ο αναδευτήρας δεν θα ασφαλίσει στη θέση του, εάν δεν έχετε προσαρμόσει τη στεφάνη).**

- 5 Προσαρμόστε τη λαβή τροφοδοσίας στον πολτοποιητή – στρέψτε δεξιόστροφα για να ασφαλίσει.
  - 6 Συνδέστε στην πρίζα.
  - 7 Τοποθετήστε τον πολτοποιητή μέσα στην κατσαρόλα ή στο μπολ κ.λπ.  
Επιλέξτε μια χαμηλή ταχύτητα από τον διακόπτη ταχύτητας και, στη συνέχεια, πατήστε το κουμπί λειτουργίας ON (ανατρέξτε στον πίνακα συνιστώμενης χρήσης).
  - Κινείτε τον πολτοποιητή πάνω-κάτω καθ' όλη τη διάρκεια της ανάμειξης μέχρις ότου επιτευχθεί το επιθυμητό αποτέλεσμα.
  - 8 Μετά τη χρήση, αφήστε το κουμπί λειτουργίας ON και αποσυνδέστε από την πρίζα.
  - 9 Στρέψτε τη λαβή τροφοδοσίας αριστερόστροφα και αφαιρέστε τον πολτοποιητή.
  - 10 Αφαιρέστε τον αναδευτήρα από τον πολτοποιητή περιστρέφοντάς τον δεξιόστροφα.
  - 11 Αφαιρέστε το πλέγμα στρέφοντάς το αριστερόστροφα ⑨ και, στη συνέχεια, ανασηκώστε το.
  - 12 Ξεβιδώστε τη στεφάνη από τον άξονα του πολτοποιητή.
- προαιρετικό εξάρτημα (δεν παρέχεται στη συσκευασία)**  
Κόφτης μικρού μεγέθους – για παραγγελίες, ανατρέξτε στην ενότητα «σέρβις και εξυπηρέτηση πελατών».

## **φροντίδα και καθαρισμός**

- Θα πρέπει πάντοτε να σβήνετε και να αποσυνδέετε τη συσκευή από το ρεύμα πριν τον καθαρισμό.
- Μην αγγίζετε τις κοφτερές λερίδες.
- Κάποιες τροφές, όπως το καρότο, μπορεί να προκαλέσουν αλλοίωση του χρώματος του πλαστικού. Για να αφαιρέσετε την αλλοίωση του χρώματος, δοκιμάστε να τρίψετε με ένα πανί εμποτισμένο με φυτικό λάδι.
- Μην χρησιμοποιείτε αποξεστικά προϊόντα.

## οδηγίες φροντίδας και καθαρισμού

Αντικείμενο	Κατάλληλο για πλυντήριο πιάτων 	Μην βυθίζετε σε νερό 	Πλύσιμο στο χέρι 	Σκούπισμα με υγρό πανί 
Λαβή τροφοδοσίας	✗	✓	✗	✓
Άξονας μπλέντερ *	✗	✓	✗	✓
Soup XL PRO *	✗	✓	✗	✓
Ακροφύσιο ατμού/ Εργαλείο αφρού *	✗	✓	✗	✓
Κύπελλο	✓	✗	✓	✓
Καπάκι κυπέλλου	✓	✗	✓	✓
Στρογγυλή βάση κυπέλλου από καουτσούκ	✓	✗	✓	✓
Κάλυμμα λεπίδας	✗	✗	✓	✓
Καπάκι του κόφτη	✗	✓	✗	✓
Μπολ κόφτη	✓	✗	✓	✓
Άξονας του κόφτη	✓	✗	✓	✓
Καπάκι του μπολ του κόφτη	✓	✗	✓	✓
Στρογγυλή βάση του μπολ του κόφτη από καουτσούκ	✓	✗	✓	✓
Στεφάνη αναδευτηριού	✗	✓	✗	✓
Αναδευτήρι	✓	✗	✓	✓
Άξονας πολτοποιητή	✗	✓	✗	✓
Αναδευτήρας πολτοποιητή	✓	✗	✓	✓
Στεφάνη πολτοποιητή	✗	✓	✗	✓
Πολτοποιητής	✓	✗	✓	✓

\* Εάν μπει νερό μέσα στον άξονα, στραγγίξτε και αφήστε να στεγνώσει πριν από τη χρήση.

### άξονας μπλέντερ χειρός/ μπλέντερ soup XL PRO είτε

- Γεμίστε εν μέρει το κύπελλο ή παρεμφερές δοχείο με ζεστή σαπουνάδα. Συνδέστε στην πρίζα, εισαγάγετε τον άξονα του μπλέντερ χειρός ή του μπλέντερ για σούπες και θέστε το σε λειτουργία.

- Αποσυνδέστε από την πρίζα και έπειτα στεγνώστε ή
- Πλένετε τις λεπίδες κάτω από τρεχούμενο νερό και, στη συνέχεια, στεγνώνετε καλά.
- **Μην βυθίζετε ποτέ τον άξονα σε νερό και μην αφήνετε να μπει υγρό μέσα σε αυτόν. Εάν, παρόλ' αυτά, μπει μέσα νερό, στραγγίξτε και αφήστε να στεγνώσει πριν από τη χρήση.**

- Δεν πλένεται σε πλυντήριο πιάτων.

### συμβουλές για τον καθαρισμό του άξονα και των πλεγμάτων του πολτοποιητή

- Εάν έχει στεγνώσει τροφή πάνω στο εξάρτημα του πολτοποιητή, αφαιρέστε τον αναδευτήρα. Μουλιάστε τον αναδευτήρα και το κάτω μέρος του άξονα του πολτοποιητή σε ζεστό νερό για να μαλακώσει η τροφή και, στη συνέχεια, πλύνετε τα καλά.
- Μην βυθίζετε ποτέ τον άξονα του πολτοποιητή σε νερό και μην αφήνετε να μπει υγρό μέσα σε αυτόν. Εάν, παρόλ' αυτά, μπει μέσα νερό, στραγγίξτε και αφήστε να στεγνώσει πριν από τη χρήση.  
σημαντικό – μην βρέχετε τη στεφάνη του πολτοποιητή.

## Σέρβις και εξυπηρέτηση πελατών

- Εάν αντιμετωπίζετε προβλήματα με τη λειτουργία της συσκευής σας, προτού ζητήσετε βοήθεια ανατρέξτε στην ενότητα «οδηγός αντιμετώπισης προβλημάτων» του βιβλίου οδηγιών ή επισκεφθείτε τη διαδικτυακή τοποθεσία [www.kenwoodworld.com](http://www.kenwoodworld.com).
- Έχετε υπ' όψιν ότι το προϊόν καλύπτεται από εγγύηση, η οποία είναι σύμφωνη με όλες τις νομικές διατάξεις που αφορούν τυχόν υφιστάμενη εγγύηση και δικαιώματα καταναλωτών στη χώρα στην οποία αγοράστηκε το προϊόν.
- Εάν το προϊόν Kenwood που έχετε αγοράσει δυσλειτουργεί ή βρείτε τυχόν ελαττώματα, στείλτε το ή παραδώστε το σε εξουσιοδοτημένο Κέντρο Σέρβις της KENWOOD. Για ενημερωμένα στοιχεία σχετικά με το πλησιέστερο εξουσιοδοτημένο Κέντρο Σέρβις της KENWOOD, επισκεφθείτε τη διαδικτυακή τοποθεσία [www.kenwoodworld.com](http://www.kenwoodworld.com) ή τη διαδικτυακή τοποθεσία που αφορά συγκεκριμένα τη χώρα σας.

- Σχεδιάστηκε και αναπτύχθηκε από την Kenwood στο Ηνωμένο Βασίλειο.
- Κατασκευάστηκε στην Κίνα.



### ΣΗΜΑΝΤΙΚΕΣ ΠΛΗΡΟΦΟΡΙΕΣ ΓΙΑ ΤΗ ΣΩΣΤΗ ΑΠΟΡΡΙΨΗ ΤΟΥ ΠΡΟΪΟΝΤΟΣ ΣΥΜΦΩΝΑ ΜΕ ΤΗΝ ΕΥΡΩΠΑΪΚΗ ΟΔΗΓΙΑ ΣΧΕΤΙΚΑ ΜΕ ΤΑ ΑΠΟΒΛΗΤΑ ΗΛΕΚΤΡΙΚΟΥ ΚΑΙ ΗΛΕΚΤΡΟΝΙΚΟΥ ΕΞΟΠΛΙΣΜΟΥ (ΑΗΗΕ)

Στο τέλος της ωφέλιμης ζωής του, το προϊόν δεν πρέπει να απορρίπτεται με τα αστικά απορρίμματα. Πρέπει να απορριφθεί σε ειδικά κέντρα διαφοροποιημένης συλλογής απορριμμάτων που ορίζουν οι δημοτικές αρχές ή στους φορείς που παρέχουν αυτήν την υπηρεσία. Η χωριστή απόρριψη μιας οικιακής ηλεκτρικής συσκευής επιτρέπει την αποφυγή πιθανών αρνητικών συνεπειών για το περιβάλλον και την υγεία από την ακατάλληλη απόρριψη και επιτρέπει την ανακύκλωση των υλικών από τα οποία αποτελείται ώστε να επιτυγχάνεται σημαντική εξοικονόμηση ενέργειας και πόρων. Για την επισήμανση της υποχρεωτικής χωριστής απόρριψης οικιακών ηλεκτρικών συσκευών, το προϊόν φέρει το σήμα του διαγραμμένου τροχοφόρου κάδου απορριμμάτων.

## οδηγός αντιμετώπισης προβλημάτων

Πρόβλημα	Αιτία	Λύση
Το μπλέντερ χειρός δεν λειτουργεί	Δεν υπάρχει ρεύμα  Το μπλέντερ χειρός δεν συναρμολογήθηκε σωστά	Ελέγξτε εάν το μπλέντερ χειρός είναι στην πρίζα.  Ελέγξτε εάν τα εξαρτήματα έχουν ασφαλίσει σωστά στη λαβή τροφοδοσίας.
Το μπλέντερ χειρός αρχίζει να χαμηλώνει ταχύτητα ή να καταπονείται κατά την επεξεργασία.	Η επιλεγμένη ταχύτητα είναι πολύ χαμηλή  Η συσκευή έχει υπερβεί τον συνιστώμενο χρόνο λειτουργίας.	Αυξήστε την ταχύτητα  Μην χρησιμοποιείτε το μπλέντερ χειρός για περισσότερο από 50 δευτερόλεπτα, σε διάστημα 4 λεπτών για βαριά μείγματα ή το αναδευτήρι και το ακροφύσιο ατιμού/εργαλείο αφρού για περισσότερο από 3 λεπτά, σε διάστημα 10 λεπτών.
Υπερβολικό πιτσίσισμα κατά την επεξεργασία	Η επιλεγμένη ταχύτητα είναι πολύ υψηλή.  Το δοχείο, το μπολ ή η κατασρόλα είναι πολύ ρηχά ή μικρά για τα υλικά που επεξεργάζεστε.	Επιλέξτε χαμηλότερη ταχύτητα στην αρχή και αυξάνετε την όσο το μείγμα γίνεται πιο πηχτό.  Επιλέξτε δοχείο κατάλληλου μεγέθους. Τοποθετήστε τις λεπίδες μέσα στα τρόφιμα προτού θέσετε τη συσκευή σε λειτουργία.
Ο αναδευτήρας του πολτοποιητή δεν αφαιρείται από τον πολτοποιητή	Η στεφάνη του πολτοποιητή δεν έχει συνδεθεί στον άξονά του.	Βεβαιωθείτε ότι η στεφάνη του πολτοποιητή είναι συνδεδεμένη στον άξονά του.
Η λαβή τροφοδοσίας θερμαίνεται πολύ κατά τη λειτουργία.	Η μονάδα μπορεί να έχει χρησιμοποιηθεί για παρατεταμένο χρονικό διάστημα.	Αφήστε τη μονάδα να κρυώσει εντελώς πριν τη χρησιμοποιήσετε πάλι.
Το μείγμα δεν αναμειγνύεται.	Η ταχύτητα της μονάδας μπορεί να μην είναι η κατάλληλη για τα υλικά που αναμειγνύετε.	Να αυξάνετε σταδιακά την ταχύτητα και να αναμειγνύετε μέχρι να επιτύχετε το επιθυμητό αποτέλεσμα.

## bezpečnosť

- Pozorne si prečítajte tieto inštrukcie a uchovajte si ich pre budúcu potrebu.
- Odstráňte všetky obaly a štítky.
- Ak sú zástrčka alebo kábel poškodené, musia sa byť z bezpečnostných dôvodov vymenené spoločnosťou Kenwood alebo autorizovaným opravárom Kenwood, aby sa zabránilo nebezpečenstvu.
- Nikdy sa nedotýkajte nožov, keď je zariadenie zapojené do siete.
- Prsty, vlasy, oblečenie a riad majte v bezpečnej vzdialenosti od pohyblivých častí.
- Po použití a pred zmenou príslušenstva odpojte zariadenie zo siete.
- Nikdy nemixujte horúci olej alebo tuk.
- Z dôvodu bezpečnosti sa odporúča nechať horúce tekutiny pred mixovaním ochladiť na izbovú teplotu.
- Nikdy nepoužívajte poškodený ručný mixér. Poškodené zariadenie dajte skontrolovať alebo opraviť: prečítajte si časť „servis a starostlivosť o zákazníkov“.
- Nikdy nenamáčajte napájaciu rúčku do vody a nevystavujte vlhkosti elektrickú šnúru ani zástrčku – mohli by ste si spôsobiť úraz elektrickým prúdom.
- Nikdy nekladte prírodnú elektrickú šnúru na horúce predmety, ani ju nenechávajte visieť tak, aby ju mohli uchopiť deti.
- Nikdy nepoužívajte žiadne neschválené príslušenstvo.

- Keď nechávate ručný mixér bez dozoru a pred každým skladaním, rozoberaním alebo čistením ho vždy odpojte zo siete.
- Osoby, ktoré majú znížené fyzické, senzorické alebo mentálne schopnosti, majú o takýchto zariadeniach málo vedomostí alebo majú s takýmito zariadeniami málo skúseností, môžu toto zariadenie používať len pod dohľadom alebo po poučení o jeho bezpečnej obsluhu, pričom musia rozumieť súvisiacim rizikám.
- Nesprávne používanie tohto zariadenia môže spôsobiť zranenie.
- Deti toto zariadenie nesmú používať. Toto zariadenie a jeho elektrickú šnúru držte mimo dosahu detí.
- Deti musia byť pod dohľadom, aby sa zaručilo, že sa nebudú s týmto zariadením hrať.
- Toto zariadenie používajte len v domácnosti na stanovený účel. Spoločnosť Kenwood nepreberie žiadnu zodpovednosť za následky nesprávneho používania zariadenia, ako ani za následky nerešpektovania týchto inštrukcií.
- Menovitý výkon je založený na nastavci sekáčika. Iné nastavce môžu mať menší odber elektrickej energie.

### **dôležité upozornenia**

- Pri hustých zmesiach nepoužívajte ručný mixér dlhšie ako 50 sekúnd v rámci jedného štvorminútového intervalu. Zaisťíte tým dlhú životnosť zariadenia.

- Šľahač a penič/príslušenstvo na penenie nepoužívajte dlhšie než 3 minúty v kuse v rozmedzí 10 minút.

## upevnenie sekáča

- Nedotýkajte sa ostrých čepeľí.
- Pred vyprázdnením misky najskôr vyberte sekáč s čepeľami.
- Kryt neodstraňujte, kým sa sekáč s čepeľami úplne nezastaví.
- Sekáč s čepeľami vždy držte pri manipulovaní a čistení za držadlo ďalej od rezných čepeľí.

### pred zapnutím zariadenia

- Overte si, či má vaša elektrická sieť také isté parametre, aké sú uvedené na ručnom mixéri.
- Toto zariadenie spĺňa požiadavky nariadenia Európskeho parlamentu a Rady (ES) č. 1935/2004 o materiáloch a predmetoch určených na styk s potravinami.

### pred prvým použitím

- Odstráňte kryt čepele z čepele sekáčika, ktorá slúži na ochranu čepele iba počas výroby a prepravy. Buďte opatrní, pretože čepele sú veľmi ostré.
- Poumývajte jednotlivé časti: pozri ošetrovanie a čistenie

## legenda

### ručný mixér

- ① ovládač premenlivej rýchlosti
- ② tlačidlo zapínania (ON)
- ③ tlačidlo Turbo
- ④ napájacia elektrická rúčka
- ⑤ hriadeľ mixéra s pripevnenou trojitou čepeľou „triblade“
- ⑥ kryt čepeľí

### odmerná nádoba (ak je dodaná)

- ⑦ veko odmernej nádoby
- ⑧ odmerná nádoba
- ⑨ gumená kruhová základňa

### Ⓐ SOUP XL PRO (ak je dodaný)

- ⑩ soup XL PRO
- ⑪ kryt čepeľí

### Ⓑ šľahač (ak je dodaný)

- ⑫ objímka šľahača
- ⑬ drôtená šľahacia metlička

### Ⓒ penič/nástroj na penenie (ak je dodaný)

- ⑭ penič/nástroj na penenie

### Ⓓ sekáč (ak je dodaný)

- ⑮ kryt sekáča
- ⑯ držadlo
- ⑰ sekáč s čepeľami
- ⑱ miska
- ⑲ gumená kruhová základňa
- ⑳ veko misky

### Ⓔ kovový miagač masherpro™ (ak je dodaný)

- ㉑ objímka miagača
- ㉒ hriadeľ miagača
- ㉓ dierovaný kotúč na jemné miaganie
- ㉔ dierovaný kotúč na hrubé miaganie
- ㉕ lopatka miagača



## tabuľka odporúčaného používania

Zložka/ recept	Nádoba	Rýchlosť	Dĺžka spracovávania *	Max. množstvo
<b>Ručný mixér</b>				
Polievky	2-litrový hrniec	Turbo	25 sekúnd	1 liter
Majonéza	1-litrová odmerná nádoba	Turbo	45 – 60 sekúnd	4 vajcia, 600 ml oleja
Strava pre batolata	1-litrová odmerná nádoba	Turbo	30 – 40 sekúnd	300 g
Ovocné šťavy/ mliečne kokteily	1-litrová odmerná nádoba	Turbo	30 sekúnd	800 ml
<b>Soup XL PRO</b>				
Polievky	4-litrový hrniec	Turbo	25 sekúnd	2 litre
<b>Šřahač</b>				
Vaječné bielka	Veľká sklenená misa	Turbo	2 – 3 minúty	4 (150 g)
Smotana	Veľká sklenená misa	Turbo	2 – 2,5 minúty	400 ml
<b>Sekáč</b>				
Mäso	Miska sekáča	Turbo	10 – 15 sekúnd	250 g
Bylinky	Miska sekáča	Turbo	5 – 10 sekúnd	30 g
Jadrové plody	Miska sekáča	Turbo	10 – 15 sekúnd	200 g
Chlieb	Miska sekáča	Turbo	5 – 10 sekúnd	1 krajec
Cibuľa	Miska sekáča	pulzný chod	–	200 g
Suché pečivo	Miska sekáča	Turbo	15 sekúnd	140 g
Nátierka	Miska sekáča	Turbo	5 – 10 sekúnd	150 g
Marináda zo sušených sliviek 50 g Malé mäkké sušené slivky 400 g Tekutý med 30 g Vody  Pridajte surovinu do misky sekáča v poradí uvedenom vyššie. Nasadte veko a nechajte v chladničke cez noc.	Miska sekáča	Turbo	3 sekúnd	485 g
<b>Kovový miagač Masher Pro – dierovaný kotúč na hrubé miaganie</b>				
<b>Varená zelenina</b> (zemiaky, sladké zemiaky, mrkva, swede)	Veľký hrniec/ veľká misa	minimálna	30 – 40 sekúnd	600 – 800 g

\* Táto tabuľka je len orientačná a jednotlivé údaje sa môžu líšiť v závislosti od konkrétneho receptu a spracovávaných zložiek.

## tabuľka odporúčaného používania

Zložka/ recept	Nádoba	Rýchlosť	Dĺžka spracovávania *	Max. množstvo
<b>Kovový miagač Masher Pro – dierovaný kotúč na jemné miaganie</b>				
Varené zemiaky	Veľký hrniec/ veľká misa	minimálna	30 – 40 sekúnd	600 – 800 g
<b>Mäkké ovocie</b> maliny marhule	Veľká misa 1-litrový hrniec	minimálna minimálna	30 – 40 sekúnd 30 – 40 sekúnd	500 g 400 g (zmäkčené vo vode)
<b>Penič/nástroj na penenie</b>				
Studené mlieko	1-litrová odmerná nádoba	minimálna	15 – 20 sekúnd	400 ml
Teplé mlieko zohriaté v hrnci až do bodu mierneho varu	1-litrová odmerná nádoba	minimálna	15 – 20 sekúnd	300 ml
(Najlepšie sa pení studené nízkotučné mlieko.)				
Pena založená na ovocí	1-litrová odmerná nádoba	minimálna	30 sekúnd	(200 g ovocného pyré + 200 ml vody)

\* Táto tabuľka je len orientačná a jednotlivé údaje sa môžu líšiť v závislosti od konkrétneho receptu a spracovávaných zložiek.

### používanie ručného mixéra

- Možno ním mixovať polievky, omáčky, mliečne kokteily, majonézu, dojčenskú výživu a podobne.

### mixovanie v odmernej nádobe (ak je dodaná)

- Na spodok odmernej nádoby založte gumenú kruhovú základňu ⑨. (Tá zabraňuje tomu, aby sa odmerná nádoba šmykala po pracovnom povrchu).
- Odmernú nádobu nenapĺňajte viac ako do  $\frac{2}{3}$  objemu.
- Po mixovaní môžete na vrch odmernej nádoby založiť veko ⑦.

### Poznámka

Ak s vaším zariadením nebola dodaná odmerná nádoba, použite inú nádobu vhodnej veľkosti. Odporúča sa použiť vysokú nádobu s rovnými stenami a s priemerom o niečo väčším ako mixovacia časť ručného mixéra, aby sa prísady mohli voľne premiešavať, ale nevystrekovali.

### mixovanie v hrnci

- Z dôvodu bezpečnosti sa odporúča pred mixovaním zložiť hrniec zo sporáka a nechať horúce tekutiny ochladiť na izbovú teplotu.
- Používajte nástroj soup XL PRO (ak je dodaný) na rýchle spracovanie polievok a podobne priamo v hrnci. Eventuálne na to používajte ručný mixér.
- Mixér polievok nepoužívajte na spracovanie neuvarenej zeleniny.**

- Odstráňte kryt čepelí ⑥ alebo ⑪ z konca hriadeľa mixéra/nástroja soup XL PRO.
- Do vnútra hriadeľa mixéra ① založte napájaciu elektrickú rúčku a pootočte ju v smere hodinových ručičiek, aby ste ju tým zaistili do potrebnej pozície.
- Zapojte zástrčku do zásuvky.
- Do odmernej alebo podobnej nádoby vložte potraviny. Nádobu potom pevne držte a urobte toto:

Ovládačom premenlivej rýchlosti zvolte požadovanú rýchlosť a potom stlačte tlačidlo zapínania (ON).

Pre pomalšie mixovanie a na obmedzenie vyšplechovania zvolte pomalú rýchlosť a pre rýchlejšie mixovanie zvolte vyššiu rýchlosť alebo funkciu Turbo. (Prečítajte si tabuľku odporúčaného používania.)

● **Aby ste zabránili vyšplechnutiu, ponorte sekacie nože do obsahu pred zapnutím zariadenia.**

● Nedovoľte, aby sa tekutina dostala nad spoj medzi napájacou rúčkou a hriadeľom mixéra.

● Pohybujte nožmi v obsahu nádoby a aby ste zmes spojili, môžete ju roztlačať alebo premiešavať.

● **Tento ručný mixér nie je vhodný na drvenie ľadu.**

● Ak sa mixér zablokuje, pred čistením ho odpojte zo siete.

5 Po skončení mixovania uvoľnite tlačidlo zapínania (ON) alebo Turbo. Odpojte z elektrickej siete a napájaciu elektrickú rúčku pootočte v protismere hodinových ručičiek, aby ste z nej uvoľnili hriadeľ mixéra.

Ⓑ **používanie šľahača**

● Slúži na šľahanie ľahkých prísad ako vaječné bielka, šľahačka a instantné dezerty.

● Nešľahajte ním hustejšie zmesi, ako sú zmesi tuku a cukru, lebo by ste ho tým mohli poškodiť.

1 Zatlačte drôtenú metličku do objímky šľahača ②.

2 Napájaciu elektrickú rúčku založte do objímky šľahača a pootočte ju v smere hodinových ručičiek, aby ste ju tým zaistili do potrebnej pozície.

3 Vložte potraviny do nádoby.

4 Zapojte do elektrickej siete a stlačte tlačidlo zapínania (ON). Pre rýchlejšie šľahanie zvolte vyššiu rýchlosť alebo stlačte tlačidlo Turbo. Šľahačom pohybujte v smere hodinových ručičiek.

Na obmedzenie vyšplechovania zvolte nízku rýchlosť a potom stlačte tlačidlo zapínania (ON).

● Nedovoľte, aby sa tekutina dostala nad drôťky šľahacej metličky.

5 Po použití uvoľnite tlačidlo zapínania (ON) alebo tlačidlo Turbo, odpojte z elektrickej siete a rozoberte.

Ⓒ **používanie peniča/nástroja na penenie (ak je dodaný)**

● Nikdy nepridávajte zložky, kým je toto príslušenstvo v chode.

● Pri mixovaní horúcich tekutín postupujte opatrne a v odmernej nádobe nespracovávajte viac než 300 ml.

● V odmernej nádobe nespracovávajte viac než 400 ml studeného mlieka, lebo by mohlo pretiecť cez jej okraj, keď sa bude peniť alebo keď bude hustnúť.

1 Založte hriadeľ peniča/nástroja na penenie do napájacej elektrickej rúčky a tú pootočte v smere hodinových ručičiek, aby ste ju tým zaistili do potrebnej pozície.

2 Začnite mixovať na pomalejšiu rýchlosť a v prípade potreby rýchlosť zvyšujte.

**rady**

● **Na obmedzenie vyšplechovania vložte penič/nástroj na penenie do spracovávaných potravín ešte pred zapnutím. Spodok peniča/nástroja na penenie musí byť počas spracovania zložíek do nich úplne ponorený.**

● Vždy najprv pridávajte tekuté zložky.

● Ovocie vždy najprv pomiagajte na jemné pyré.

● Pri používaní sirupov a práškových zmesí ich pridávajte až tesne pred mixovaním, aby neklesli na dno.

● Na dosiahnutie najlepších výsledkov je potrebné, aby všetky tekuté zložky boli čo najchladnejšie.

● Mliečne nápoje budú chutiť lepšie, ak bude mlieko ľadové. Čím bude mlieko chladnejšie, tým bude nápoj hustejší a penivejší.

Z nízkotučného mlieka vznikne penivejší nápoj než z polotučného alebo plnotučného mlieka.

- Nikdy sa nepokúšajte mixovať mrazené ovocie ani drviť ľad.
- Veľké kusy zmrzliny pred spenením najprv nalámate na menšie kúsky.

### Ⓛ spôsob používania sekáča (ak je dodaný)

- Sekať môžete mäso, zeleninu, bylinky, chlieb, sušienky a orechy.
  - Sekať sa nesmú tvrdé potraviny ako kávové zrná, kocky ľadu, korenie alebo čokoláda – mohli by ste tým poškodiť čepeľ.
- 1 Odstráňte všetky kosti a mäso nakrájajte kocky veľké 1 – 2 cm.
  - 2 Na spodok misky sekáča založte gumenú kruhovú základňu ①. (Tá zabraňuje tomu, aby sa miska šmykala po pracovnom povrchu).
  - 3 Na čap v miske založte čepeľ sekáča ③.
  - 4 Do misky vložte potravinu.
  - 5 Na sekáč založte vrchnák, otočte a zaistite ④.
  - 6 Na kryt sekáča ⑤ založte napájaciu elektrickú rúčku a otáčajte ju v smere hodinových ručičiek, aby ste ju tým zaistili do potrebnej pozície.
  - 7 Zapnite. Miešaciu misku pevne držte. Potom stlačte tlačidlo Turbo. Alebo v krátkych intervaloch stláčajte tlačidlo Turbo, a sekáč bude pracovať v krátkych impulzoch.
  - 8 Po skončení práce, sekáč odpojte zo siete a zostavu rozoberte.

### ⓔ kovový miagač Masherpro™ (ak je dodaný)

#### Dôležité upozornenia

- Miagač sa nesmie vkladať do hrnca, keď je priamo nad plameňom. Hrnec vždy zložte zo sporáka a nechajte ho mierne vychladnúť.
- Počas miagania alebo po skončení miagania miagač neoklepávajte o bočnú stenu nádoby na varenie. Na odstránenie prebytočnej potraviny používajte varešku.

- Na dosiahnutie najlepších výsledkov, keď sa pri miaganí úplne nevyplní hrniec, potravinu doplňte do hrnca viac ako do polovice jeho objemu.
- 1 Tvrdú zeleninu a tvrdé ovocie pred miaganím uvarte a scedte.
  - 2 Založte objímku miagača do hriadeľ miagača jej otáčaním v smere hodinových ručičiek, kým sa nezaistí do potrebnej pozície ⑥.
  - 3 Na hriadeľ miagača založte niektorý dierovaný kotúč – otáčajte ním v smere hodinových ručičiek, aby sa zaistil do potrebnej pozície ⑦.
  - 4 Miagač obráťte naopak a na stredovú os založte lopatku. Otočte ňou v protismere hodinových ručičiek, aby sa zaistila ⑧. **(Ak objímka nebude založená, lopatka sa nezaistí do potrebnej pozície).**
  - 5 Založte napájaciu elektrickú rúčku do zostavy miagača a pootočte ju v smere hodinových ručičiek, aby ste ju tým zaistili do potrebnej pozície.
  - 6 Zapojte.
  - 7 Vložte miagač do hrnca alebo do misy alebo do podobnej nádoby. Na ovládači premenlivej rýchlosti zvolte pomalú rýchlosť a potom stlačte tlačidlo zapínania (ON) (prečítajte si tabuľku odporúčaného používania).
  - Pohybné miagačom smerom nadol a nahor po celej zmesi, kým nedosiahnete žiadúci výsledok.
  - 8 Po použití uvoľnite tlačidlo zapínania (ON) a odpojte z elektrickej siete.
  - 9 Napájaciu elektrickú rúčku pootočte v protismere hodinových ručičiek a vyberte zostavu miagača.
  - 10 Z miagača vyberte lopatku jej otočením doprava.
  - 11 Vyberte dierovaný kotúč jeho pootočením v protismere hodinových ručičiek ⑨ a potom ho nadvihite.
  - 12 Odskrutkujte objímku z hriadeľa miagača.

### voliteľné príslušenstvo (ktoré nie je súčasťou balenia)

Mini sekáč – informácie o objednávaní hľadajte v časti „servis a starostlivosť o zákazníkov“.

- Niektoré potraviny, napr., mrkva, môže spôsobiť odfarbenie plastového materiálu. Odfarbenie sa dá odstrániť vyutieraním handričkou namočenou do rastlinného oleja.
- Nepoužívajte abrazívne čistiace prostriedky.

## ošetrovanie a čistenie

- Zariadenie pred čistením vždy vypnite a odpojte zo siete.
- Nedotýkajte sa ostrých nožov.

## ošetrovanie a čistenie

Súčasť	Vhodná na umývanie v umývačke riadu 	Neponárať do vody 	Ručné umývanie 	Čistiť zvlhčenou utierkou 
Napájacia elektrická rúčka	x	✓	x	✓
Hriadeľ mixéra *	x	✓	x	✓
Soup XL PRO *	x	✓	x	✓
Penič/nástroj na penenie *	x	✓	x	✓
Odmerná nádoba	✓	x	✓	✓
Veko odmernej nádoby	✓	x	✓	✓
Gumená kruhová základňa odmernej nádoby	✓	x	✓	✓
Kryt čepelí	x	x	✓	✓
Kryt sekáča	x	✓	x	✓
Miska sekáča	✓	x	✓	✓
Čepele sekáča	✓	x	✓	✓
Veko misky sekáča	✓	x	✓	✓
Gumená kruhová základňa misky sekáča	✓	x	✓	✓
Objímka šľahača	x	✓	x	✓
Šľahač	✓	x	✓	✓
Hriadeľ miagača	x	✓	x	✓
Lopatka miagača	✓	x	✓	✓
Objímka miagača	x	✓	x	✓
Miagač	✓	x	✓	✓

\* Ak sa do vnútra hriadeľa dostane voda, vylejte ju z neho a pred ďalším použitím ho nechajte vyschnúť.

## **hriadeľ ručného mixéra/soup XL PRO**

buď

- Do odmernej nádoby alebo inej podobnej nádoby nalejte trochu teplej mydlovej vody. Zariadenie zapojte do elektrickej siete, založte doň hriadeľ ručného mixéra alebo mixér polievok a zapnite ho.
- Odpojte zo siete a vysušte. alebo
- Nože umyte pod tečúcou vodou a potom ich dôkladne vysušte.
- **Nikdy neponárajte do vody a nedovoľte, aby sa do vnútra hriadeľa dostala nejaká tekutina. Ak sa to predsa stane, vylejte ju z neho a pred ďalším použitím ho nechajte vyschnúť.**
- **Neumývajte v umývačke riadu. rady týkajúce sa čistenia stopky/hriadeľa a dierovaných kotúčov miagača**
- Ak sú na týchto súčiastiach miagača prischnuté zvyšky potravín, vyberte lopatku. Lopatku a spodnú časť hriadeľa miagača namočte do teplej vody, aby prischnuté zvyšky potravín odmokli. Potom tieto súčasti miagača dôkladne umyte.
- **Hriadeľ miagača nikdy neponárajte do vody ani nedovoľte, aby doň vnikla nejaká tekutina. Ak sa to napriek tomu stane, vylejte ju z neho a pred použitím ho nechajte vyschnúť.**  
**Dôležité upozornenie** – objímka miagača sa nesmie namočiť do vody.

## **servis a starostlivosť o zákazníkov**

- Ak pri používaní tohto zariadenia narazíte na nejaké problémy, pred vyžiadáním pomoci si najprv prečítajte časť „riešenie problémov“ v príručke alebo navštívte webovú lokalitu [www.kenwoodworld.com](http://www.kenwoodworld.com).

- Na váš výrobok sa vzťahuje záruka vyhovujúca všetkým právnym ustanoveniam týkajúcim sa akýchkoľvek záruk a spotrebiteľských práv existujúcim v krajine, v ktorej bol výrobok zakúpený.
- Ak váš výrobok Kenwood zlyhá alebo na ňom nájdete nejaké chyby, pošlite alebo odneste ho autorizovanému servisnému centru KENWOOD. Najbližšie autorizované servisné centrum KENWOOD môžete nájsť na webovej lokalite [www.kenwoodworld.com](http://www.kenwoodworld.com) alebo na jej stránke špecifickej pre vašu krajinu.
- Navrhla a vyvinula spoločnosť Kenwood v Spojenom kráľovstve.
- Vyrobené v Číne.



## **DÔLEŽITÉ INFORMÁCIE PRE SPRÁVNÚ LIKVIDÁCIU PRODUKTU PODĽA EURÓPSKEJ SMERNICE O ODPADE Z ELEKTRICKÝCH A ELEKTRONICKÝCH ZARIADENÍ (OEEZ)**

Po skončení životnosti sa tento výrobok nesmie likvidovať spoločne s domácim odpadom. Musí sa odovzdať na príslušné zberné miesto špecializované na triedenie odpadu alebo predajcovi, ktorý poskytuje takúto službu. Oddelenou likvidáciou domácich spotrebičov sa predchádza negatívnym následkom na životné prostredie a na zdravie človeka, ku ktorým by mohlo dôjsť v dôsledku ich nevhodnej likvidácie. Zároveň to umožňuje recykláciu jednotlivých materiálov, vďaka ktorej sa dosahuje značná úspora energií a prírodných zdrojov. Na pripomenutie nutnosti oddelenej likvidácie domácich spotrebičov je tento výrobok označený symbolom preškrtnutej nádoby na domáci odpad.

## riešenie problémov

Problém	Príčina	Riešenie
Ručný mixér nefunguje.	Chýba napájanie.  Nie je správne zmontovaný.	Skontrolujte, či je zapojený do elektrickej siete.  Skontrolujte, či sú príslušné súčasti správne pripojené k napájajúcej elektrickej rúčke.
Ručný mixér začína počas spracovania spomaľovať alebo sa trápiť.	Zvolená príliš pomalá rýchlosť.  Prekročená odporúčaná dĺžka spracovania.	Zvýšte rýchlosť.  V prípade hustých zmesí nepoužívajte ručný mixér dlhšie než 50 sekúnd v kuse v rozmedzí 4 minút a šľahač a penič/nástroj na penenie nepoužívajte dlhšie než 3 minúty v kuse v rozmedzí 10 minút.
Počas spracovania dochádza k nadmernému vyšplechovaniu.	Zvolená príliš vysoká rýchlosť.  Nádoba alebo misa je na spracovanie daných zložiek príliš plytká alebo príliš malá.	Najprv zvolte nižšiu rýchlosť a tú potom zvyšujte, keď zmes hustne.  Použite nádobu vhodnej veľkosti. Čepele vložte do potravín pred zapnutím.
Lopatku miagača nemožno vybrať zo zostavy miagača.	Objímka miagača nie je správne založená do hriadeľa miagača.	Skontrolujte založenie objímky miagača do hriadeľa miagača.
Napájacia elektrická rúčka sa počas chodu zohrieva do horúca.	Je možné, že jednotka je v chode dlhšie, než je to vhodné.	Jednotku nechajte pred ďalším použitím úplne vychladnúť.
Zmes sa nemieša.	Je možné, že zvolená rýchlosť nie je vhodná pre spracovávané zložky.	Postupne zvyšujte rýchlosť a mixujte, kým nedosiahnete žiadúci výsledok.

# Українська

Будь ласка, розгорніть першу сторінку з малюнками

## 3 ходи безпеки

- Ув жно прочит йте інструкцію т збережіть її для под льшого використ ння.
- Зніміть уп ковку т всі етикетки.
- У вип дку пошкодження штекер бо шнур з міркув нь безпеки предст вник комп нії Kenwood бо спеці ліст з ремонту, уповнов жений комп нією Kenwood, повинен викон ти їх з міну, щоб уникнути небезпеки.
- Не торк йтеся лез рук ми, якщо прил д підключено до мережі електропост ч ння.
- Не н ближуйте п льці, волосся, елементи одягу т кухонні прил ди до рухомих дет лей.
- Відключ йте прил д від електромережі після використ ння т перед з міною н с док.
- Ніколи не сколочуйте г рячу олію бо жир у блендері.
- Із метою безпеки рекомендується охолоджув ти г рячу рідину до кімн тної темпер тури перед змішув нням.
- Не використовуйте пошкоджений ручний блендер. Перевірк бо ремонт здійснюються у спеці льних центр х: дивись розділ «Обслуговув ння т ремонт».
- Щоб уникнути вр ження електричним струмом, не опуска йте держ к прил ду із розт шов ним у ньому



електроприводом у воду та не допускайте попадання вологи на шнур або вилку.

- Не залишайте шнур там, де він може торкнутися гріючої поверхні, бо до нього може дотягнутися дитина.
- Не використовуйте насадки, що не призначені для цього приладу.
- Завжди відключайте прилад від мережі електропостачання, якщо він залишається без нагляду, та кожне перед збиранням, розбиранням і чищенням.
- Не рекомендується користуватися цим приладом особам із обмеженими фізичними або ментальними можливостями або тим, хто має недостатньо досвіду в його експлуатації. Вищевказані особам дозволяється користуватися приладом тільки після проходження інструктування під наглядом досвідченої людини і якщо вони розуміють пов'язані з цим ризики.
- Невірне використання цього приладу може привести до травм.
- Цей прилад не призначений для використання дітьми. Тримайте прилад і шнур подальше від дітей.
- Не залишайте дітей без нагляду і не дозволяйте їм гратися із приладом.
- Цей прилад призначений виключно для використання у побуті. Компанія Kenwood не несе відповідальності за невідповідне використання приладу або порушення правил експлуатації,

викл дених у цій інструкції.

- Номін льн потужність з лежить від н с дки-подрібнюв ч . Інші н с дки можуть спожив ти менше енергії.

### **Увага!**

- Під ч с приготув ння густих сумішей не використовуйте ручний блендер довше 50 секунд протягом чотирьох хвилин, оскільки це може скоротити термін експлу т ції прил ду.
- Не використовуйте н с дку «віничок» бо н с дки для спінув ння довше 3 хвилин протягом десятихвилинного періоду.

### **Насадка «дробарка»**

- Не торкайтеся гострих лез.
- Перед тим, як випорожнити чашу, зніміть ножовий блок дробарки.
- Не знімайте кришку, доки ножовий блок не зупиниться повністю.
- Під час роботи або чищення завжди тримайте ніж за ручку, якомога далі від різального леза.

#### **Перед підключенням до мережі електропостачання**

- Перекона йтеся, що н пруг електромережі у в шому домі відповід є п р метр м, вк з ним н з дній ч стині ручного блендер .
- Цей прил д відповід є вимог м директиви ЄС 1935/2004 стосовно м тері лів, що безпосередньо конт ктують з їжею.

#### **Перед першим використанням**

- Утилізуйте кришку для лез подрібнюв ч : вон призн ч ється для з хисту лез лише під ч с виробництв й тр нспортув ння. Будьте обережні, тому що лез дуже гострі.
- Промийте всі компоненти: див. розділ «Догляд т чищення».

## ПОК ЖЧИК

### Ручний блендер

- ① регулятор швидкості
- ② кнопка «оп» (увімкнути)
- ③ кнопк «Turbo»
- ④ держ к із блоком електродвигун
- ⑤ в л блендер із вст новленим потрійним лезом
- ⑥ кришк ножового блоку

### чаша (якщо додається)

- ⑦ кришк келиху
- ⑧ ч ш
- ⑨ гумове кільце основи

### Ⓐ SOUP XL PRO (якщо додається)

- ⑩ soup XL PRO
- ⑪ кришк ножового блоку

### Ⓑ віничок (якщо додається)

- ⑫ комір віничку
- ⑬ віничок

### Ⓒ насадка для спінювання (якщо додається)

- ⑭ н с дк для спінюв ння

### Ⓓ дробарка (якщо додається)

- ⑮ кришка дробарки
- ⑯ ручка
- ⑰ ножовий блок дробарки
- ⑱ чаша
- ⑲ гумове кільце основи
- ⑳ кришк ч ші

### Ⓔ металева насадка masherpro™ (якщо додається)

- ㉑ комір м'ялки
- ㉒ стержень м'ялки
- ㉓ дрібн решітк
- ㉔ груб решітк
- ㉕ лопать м'ялки

## Т блиця з рекомєнд ціями щодо вироблення соку

Інгредієнт / рецепт	Контейнер	Швидкість	Час обробки *	Макс. завантаження
<b>Ручний блендер</b>				
Супи	2-літров к струля	Turbo	25 сек	1 літр
М йонез	1-літров ч ш	Turbo	45-60 сек	4 яйця 600 мл олії
Дитяче х рчув ння	1-літров ч ш	Turbo	30-40 сек	300 гр
Смузі / молочні коктейлі	1-літров ч ш	Turbo	30 сек	800 мл
<b>Soup XL PRO</b>				
Супи	4-літров к струля	Turbo	25 сек	2 літри
<b>Віничок</b>				
Ячні білки	Велик склян ч ш	Turbo	2-3 хв	4 (150 гр)
Вершки	Велик склян ч ш	Turbo	2-2,5 хв	400 мл
<b>Насадка «дробарка»</b>				
М'ясо	Ч ш дроб рки	Turbo	10-15 сек	250 гр
Тр ви	Ч ш дроб рки	Turbo	5-10 сек	30 гр
Горіхи	Ч ш дроб рки	Turbo	10-15 сек	200 г
Хліб	Ч ш дроб рки	Turbo	5-10 сек	1 скибочк
Цибуля	Ч ш дроб рки	Імпульсний режим	–	200 гр
Печево	Ч ш дроб рки	Turbo	15 сек.	140 гр
П штет	Ч ш дроб рки	Turbo	5-10 сек	150 гр

\* Ч с вк з но лише для прикл ду — він може змінюв тись відповідно до рецепту т інгредієнтів.

## Т блиця з рекомендаціями щодо вироблення соку

Інгредієнт / рецепт	Контейнер	Швидкість	Час обробки *	Макс. завантаження
Сливовий м рин д 50 гр Невеликі м'які сливи 400 гр Рідкий мед 35 гр Water  Дод йте в ч шу подрібнюв ч інгредієнти в з зн ченому вище порядку. Н крийте кришкою т охолоджуйте протягом ночі.	Ч ш дроб рки	Turbo	3 сек	485 гр
<b>Металева насадка masherpro™ – груба решітка</b>				
<b>Варені овочі</b> (к ртопля, брукв , моркв і солодк к ртопля)	Велик к струля / велик ч ш	мінімум	30-40 сек	600-800 гр
<b>Металева насадка masherpro™ – дрібна решітка</b>				
Відв рн к ртопля	Велик к струля / велик ч ш	мінімум	30-40 сек	600-800 гр
<b>М'які фрукти</b> М лин Абрикоси	Велик ч ш 1-літров к струля	мінімум мінімум	30-40 сек 30-40 сек	500 гр 400 гр (розм'якшити у воді)
<b>Насадка для спінування</b>				
Холодне молоко	1-літров ч ш	мінімум	15-20 сек	400 мл
Тепле молоко - н грів ється в к струлі до кипіння	1-літров ч ш	мінімум	15-20 сек	300 мл
(Холодне знежирене молоко д є н йкр шу піну)				
Пін н основі фруктів	1-літров ч ш	мінімум	30 сек	(200 гр фруктового пюре + 200 мл води)

\* Ч с вк з но лише для прикл ду — він може змінюв тись відповідно до рецепту т інгредієнтів.

### Як користуватися ручним блендером

- Блендер призн чений для приготув ння дитячого х рчув ння, супів, соусів, молочних коктейлів, м йонезу і т.п.

### змішування у чаші (якщо входить до комплекту)

- Уст новіть гумове кільце основи © під келих. (Т к келих не буде ковз ти по робочій поверхні.)

- Не з повнюйте ч шу більш, ніж  $\frac{2}{3}$  її об'єму.
- Після змішування інгредієнтів ви можете вст новити кришку ⑦ н келих.

#### Увага

Якщо в комплекті в шого блендер нем є ч ші, виберіть іншу ємність схожого розміру. Ми рекомендуємо використовувати високу ємність з рівними стінками. Її діаметр м є бути дещо більшим з діаметр н с дки, щоб не з в ж ти змішування інгредієнтів. Водночас, стінки ємності м ють бути дост тньо високими, щоб її вміст не розбризкув вся.

#### змішування у каструлі

- Із метою безпеки перед змішуванням рекомендується зняти к струлю з плити т охолодити рідину до кімн тної темпер тури.
- Для швидкої обробки супів і т.п. просто у к струлі використовуйте н с дку soup XL PRO (якщо дод ється). В іншому р зі використовуйте ручний блендер.

#### ● Не використовуйте насадку для приготування супу для обробки сирих овочів.

- 1 Зніміть кришку ножового блоку ⑥ бо ⑪ з в лу блендер /soup XL PRO.
- 2 Уст новіть трим ч із блоком електродвигун всередині в лу блендер т поверніть з годинниковою стрілкою для фікс ції ①.
- 3 Підключіть прил д до мережі електропост ч ння.
- 4 Покл діть інгредієнти у ч шу бо схожу ємність, після цього, утримуючи ч шу, викон йте н ступні дії.
 

Оберіть потрібну швидкість з допомогою регуляторів швидкості, потім н тисніть кнопку ON (Увімк.).

Для повільної обробки т мініміз ції розбризкув ння оберіть низьку швидкість,

для швидкої бо прискореної обробки - режим Turbo: (див. рекомендації щодо використання).

- **Щоби продукти не розплескувались, опустіть блендер у суміш перед увімкненням.**
  - Слідкуйте з тим, щоби рідина не поп д л до місця з'єднання держ к із блоком електродвигун т в лу блендер .
  - Під ч с роботи вимішуйте блендером продукти, переміщ ючи його по колу, догори т додолу, щоби зібр ти усі інгредієнти.
  - **Ручний блендер не призначений для подрібнення льоду.**
  - Якщо блендер з блокується, відключіть його від мережі перед чищенням.
- 5 Після зкінчення обробки відпустіть кнопку ON (Увімк.) бо «Turbo» (прискорена обробка). Вимкніть і поверніть трим ч із блоком електродвигун проти годинникової стрілки, щоби відєдн ти в л блендер від трим ч .
- Ⓟ як користуватися віничком
- Ви можете збив ти легкі інгредієнти, н прикл д яєчні білки, сливки т десертин півф брик ти.
  - Не використовуйте віничок для збив ння густіших сумішей, т ких як м рг рин бо цукор — ви можете пошкодити його.
- 1 Уст новіть віничок у комір віничк ②.
  - 2 Уст новіть трим ч з блоком електродвигун в комірок віничк т повеніть з годинниковою стрілкою.
  - 3 Покл діть інгредієнти в ч шу.
  - 4 Підключіть до мережі т н тисніть кнопку ON (Увімк.) включення. Для перемішування н підвищеній швидкості оберіть високу швидкість бо н тисніть кнопку «Turbo» (прискорен обробк ). Перемішуйте віничок

з годинниковою стрілкою. Щоб зменшити розбризкування оберіть низьку швидкість, потім натисніть кнопку ON (Увімк.) включення.

- Слідкуйте з тим, щоб рідина не піднімалася вище вінічка.

5 Після використання відпустіть кнопку ON (Увімк.) або «Turbo» (прискорена обробка), відключіть прилад від мережі та розберіть його.

### Ⓢ використання насадки для спінування (якщо додається)

- Не додавайте інгредієнти під час роботи приладу.
- Будьте обережні при спінуванні глянцюватої рідини — не додавайте більше 300 мл у чашу.
- Обробляйте не більше 400 мл холодного молока у чаші, оскільки воно збивається, густіше та може перелитися.

1 Устновіть виліс для спінування на тримач з електродвигуном. Поверніть тримач з годинниковою стрілкою, щоб зафіксувати.

2 Починіть із низької швидкості, потім збільшуйте урв'язності.

### Корисні поради

- **Щоб продукт не розбризкувався, опустіть насадку для спінування у суміш перед увімкненням. Повністю зануріть нижню частину насадки для збивання у суміш, що обробляється.**

- Звжди спочатку додавайте рідкі інгредієнти.
- Звжди перед доданням фруктів, робіть з них пюре.
- Якщо ви використовуєте сиропи та порошкові суміші, то додавайте їх безпосередньо перед вимішуванням, щоб вони не осіли на дно чаші.
- Для отримання кращих результатів усі рідкі інгредієнти мають бути холодними.
- Молочні продукти тимуть кращий присмак, якщо молоко буде

максимально холодним. Чим холодніше молоко, тим густішим та пінним буде напій. Напій зі знежиреного молока буде більш пінним, ніж з частково знежиреного чи жирного.

- Ніколи не перемішуйте заморожені фрукти чи колений лід.
- Перед вимішуванням морозив розбийте його на великі шматочки.

### Ⓣ як користуватися дробаркою (якщо додається)

- Дробарка призначена для подрібнення м'яса, овочів, трав, хлібу, печива та горіхів.
- Не використовуйте дробарку для обробки твердих продуктів, наприклад, кавових зерен, кубиків льоду, спецій або шоколаду, оскільки такі інгредієнти можуть пошкодити ножовий блок.

- 1 Видаліть кістки та поріжте продукти на кубики розміром 1-2 см.
- 2 Устновіть гумове кільце основи під чашу дробарки. (Звдяки цьому чаша не буде ковзати по робочій поверхні).
- 3 Накрутіть ножовий блок дробарки на штифт всередині чаші ③.
- 4 Додайте продукти.
- 5 Установіть кришку дробарки та поверніть для фіксації ④.
- 6 Устновіть тримач з блоком електродвигуна в кришку дробарки ⑤ та повеніть з годинниковою стрілкою.
- 7 Підключіть прилад до електромережі та міцно тримайте чашу. Після цього натисніть кнопку «Turbo» (прискорена обробка). Ви також можете вмикати та вимикати кнопку «Turbo» (прискорена обробка) на короткий час, щоби перемішувати інгредієнти в імпульсному режимі.
- 8 Після використання відключіть прилад від електромережі та розберіть його.

## Ⓔ Металева насадка masherpro™ (якщо додається)

### Увага!

- Не використовуйте м'ялку, якщо каструля знаходиться на конфорці або іншому джерелі тепла. Зніміть каструлю з конфорки або іншого джерела тепла та залиште трошки охолонути.
  - Щоби почистити м'ялку під час або після обробки, не постукуйте м'ялкою по каструлі або іншій ємності. Використовуйте лопатку, щоби зняти залишки інгредієнтів.
  - Для отримання кращих результатів наповнюйте каструлю максимум до половини рід час обробки.
- 1 Зв'яжіть жорсткі овочі та фрукти та злийте воду перед приготуванням пюре.
  - 2 Уст новіть комір м'ялки на стержень, повертуйте його з годинниковою стрілкою до блоку в'ялення 6.
  - 3 Вст новіть грубу або тонку решітку на стержень м'ялки – поверніть з годинниковою стрілкою для блоку в'ялення 7.
  - 4 Переверніть м'ялку догори дном, уст новіть лопатку на центр льну втулку та поверніть проти годинникової стрілки для блоку в'ялення 8. **(Якщо комір не буде встановлено, лопатка не зафіксується на своєму місці).**
  - 5 Вст новіть тримач з електродвигуном у блок м'ялки та поверніть з годинниковою стрілкою для блоку в'ялення.
  - 6 Підключіть прилад до мережі електропостачання.
  - 7 Опустіть м'ялку до каструлі, чистіть її тощо.  
Налаштуйте регулятор швидкості оберіть низьку швидкість, потім натисніть ON (Увімк.) (див. інструкцію з рекомендаціями щодо використання).
  - Переміщуйте м'ялку догори та додолу під час обробки, доки не

отримуєте бажану консистенцію.

- 8 Після закінчення обробки відпустіть ON (Увімк.) та відключіть прилад від мережі електропостачання.
- 9 Поверніть тримач з електродвигуном проти годинникової стрілки та зніміть блок м'ялки.
- 10 Зніміть лопатку з основи м'ялки. Для цього поверніть її за годинниковою стрілкою.
- 11 Щоб зняти решітку поверніть її проти годинникової стрілки 9 та підніміть.
- 12 Відкрутіть комір від стержня м'ялки.





### додаткова насадка (не входить до комплекту)

Чтосовно питання розміщення з'ясувати розділ «Обслуговування та ремонт».

## Догляд та чищення

- Завжди вимикайте прилад та відключайте його від електромережі перед чищенням.
- Не торкайтеся гострих лез.
- Деякі продукти, наприклад морква, можуть знебарвлювати пластикові деталі. Щоб вивести знебарвлювану пляму, потріть її ганчіркою, змоченою у рослинній олії.
- Не використовуйте абразивні матеріали.

## ДОГЛЯД ТА ЧИЩЕННЯ

Деталь	Підходить для миття в посудомийній машині 	Не занурюйте у воду 	Ручне миття 	Протерти вологою тканиною 
Тримач з блоком електродвигун	✗	✓	✗	✓
Вал блендер *	✗	✓	✗	✓
Soup XL PRO *	✗	✓	✗	✓
Насадка для спінування *	✗	✓	✗	✓
Чаша	✓	✗	✓	✓
Кришка чаші	✓	✗	✓	✓
Гумове кільце чаші	✓	✗	✓	✓
Кришка ножового блоку	✗	✗	✓	✓
Кришка дробарки	✗	✓	✗	✓
Чаша дробарки	✓	✗	✓	✓
Ножовий блок дробарки	✓	✗	✓	✓
Кришка чаші дробарки	✓	✗	✓	✓
Гумове кільце чаші дробарки	✓	✗	✓	✓
Комір вінчика	✗	✓	✗	✓
Вінчик	✓	✗	✓	✓
Стержень м'ялки	✗	✓	✗	✓
Лопатка м'ялки	✓	✗	✓	✓
Комір м'ялки	✗	✓	✗	✓
М'ялка	✓	✗	✓	✓

\* Якщо вода потрапила усередину вала, вилийте її та висушіть прилад.

### вал ручного блендера/ насадка soup XL PRO

Виконуйте наступні дії:

- Чашково повніть келих боєсхожою ємністю теплою мильною водою. Підключіть прилад до мережі електропостачання, потім встановіть вал ручного блендера або насадку для приготування супу та увімкніть прилад.
- Відключіть від мережі, потім просушіть.  
Або

- Помийте лез під кришкою, потім ретельно просушіть.
- Не занурюйте у воду та не допускайте потрапляння води до приводу. Якщо вода потрапила усередину, вилийте її та висушіть прилад.
- Забороняється мити прилад у посудомийній машині.



## поради стосовно чищення стержня м'ялки

- Якщо з лишки інгредієнтів з сохлими насідцями, зніміть лопатку. Опустіть лопатку в нижню частину стержня м'ялки у теплу воду з лише деякою кількістю, коли з лишки стунуть м'якими ретельно вимийте його.
- **Не занурюйте у воду стержень м'ялки і не допускайте, щоб вода потрапляла у привод. Якщо вода потрапила в середину, вилийте її та висушіть прилад.**  
**Увага!** Не допускайте, щоб вона попадала на комір м'ялки.



## ВАЖЛИВА ІНФОРМАЦІЯ СТОСОВНО НАЛЕЖНОЇ УТИЛІЗАЦІЇ ПРОДУКТУ ЗГІДНО ІЗ ДИРЕКТИВОЮ ПРО УТИЛІЗАЦІЮ ЕЛЕКТРИЧНОГО ТА ЕЛЕКТРОННОГО ОБЛАДНАННЯ (WEEE)

Після закінчення терміну експлуатації не викидайте цей прилад з іншими побутовими відходами.

Віднесіть прилад до місцевого спеціального вторинного центру збирання відходів або до дилера, який може надати послуги.

Відокремлені утилізаційні побутові прилади дозволяють уникнути можливих негативних наслідків для здоров'я людини, які виникають у результаті неправильної утилізації, і кожен має можливість переробити матеріали, з яких було виготовлено даний прилад, що, в свою чергу, збереже енергію та інші живі ресурси. Про необхідність відокремленої утилізації побутових приладів нагадує спеціальний позначений продукт у вигляді перекресленого смітника на колесах.

## Обслуговування та ремонт

- Якщо в роботі приладу виникли будь-які неполадки, перед зверненням до служби підтримки прочитайте розділ «Усунення несправностей» в цьому посібнику або зайдіть на сайт [www.kenwoodworld.com](http://www.kenwoodworld.com).
- Пам'ятайте, що на прилад поширюється гарантія, що відповідна всім зазначеним положенням щодо існуючої гарантії та про споживачів в той країні, де прилад був придбаний.
- При виникненні несправності в роботі приладу Kenwood або при виявленні будь-яких дефектів, будь ласка, надішліть або принесіть прилад в авторизований сервісний центр KENWOOD. Актуальні контакти до сервісних центрів KENWOOD ви знайдете на сайті [www.kenwoodworld.com](http://www.kenwoodworld.com) або на сайті для вашої країни.
- Спроектровано та розроблено компанією Kenwood, Об'єднане Королівство.
- Зроблено в Китаї.

## Посібник із усунення неспр вностей

Проблема	Причина	Усунення
Ручний блендер не працює.	Немає живлення.  Ручний блендер було зібрано неправильно.	Перевірте, чи ручний блендер підключено до мережі живлення.  Перевірте, чи надійно з'єднано з тримачем.
Ручний блендер починає сповільнюватися або зусиллям обробляє інгредієнти.	Обраний режим низької швидкості.  Перевищено рекомендований час роботи.	Збільшіть швидкість.  При перемішуванні густих сумішей після кожних 50 секунд використання ручного блендера слід робити перерву на 4 хвилини. Після кожних 3 хвилин використання насадки «віничок» блендера слід робити перерву на 10 хвилин.
Надмірно розбризкування в процесі обробки.	Обраний режим високої швидкості.  Обраний режим малих контейнерів, чашки або каструлі.	Спочатку обирайте низьку швидкість та повільно збільшуйте її.  Обирайте контейнер відповідного розміру. Опустіть ножі у суміш перед увімкненням.
Лопатка м'ялки не знімається з вузла м'ялки.	Комір м'ялки не під'єднаний до вала.	Переконайтесь, що комір м'ялки не під'єднаний до вала.
Під час роботи тримач з електродвигуном не гріється.	Прилад використовується занадто довго.	Перед продовженням використання дайте приладу повністю вистигнути.
Суміш не перемішується.	Швидкість приладу недостатня для обраних інгредієнтів.	Поступово збільшуйте швидкість до досягнення бажаного результату.

## دليل استكشاف المشكلات وحلها

المشكلة	السبب المحتمل	الحل
لا يعمل المازج اليدوي	لا يوجد إمداد بالتيار الكهربائي المازج اليدوي غير مركب بشكل صحيح	تأكد من توصيل المازج اليدوي بمصدر التيار الكهربائي. تأكد من تعشيق الملحقات بشكل صحيح في مقبض الطاقة (الموتور).
يبدأ المازج اليدوي في التشغيل ببطء أو يعاني أثناء التشغيل.	السرعة المحددة منخفضة جداً تم تجاوز زمن التشغيل الموصى به.	زيدي سرعة التشغيل بالنسبة للخلطات الثخينة، لا تشغلي المازج اليدوي لأكثر من ٥٠ ثانية كل فترة ٤ دقائق ولا أكثر من ٣ دقائق كل فترة ١٠ دقائق عند استخدام خفاقة البيض أو أداة مكونة الرغوة/الفوم.
تتأثر شديد أثناء المعالجة	سرعة التشغيل المحددة عالية جداً. الحاوية أو السلطانية أو المقلاة المستخدمة ليست عميقة بالقدر الكافي أو صغيرة الحجم بالنسبة للمكونات التي تتم معالجتها.	اختراري سرعة منخفضة في البداية ثم زيدي السرعة كلما ازداد الخليط في الكثافة. اختراري حاوية بحجم مناسب. ضعني نصل السكين في المكونات قبل تشغيل الجهاز.
لا يمكن إزالة رأس الهرس عن الهراسة	عنق الهراسة غير متصل مع محور الهراسة.	تأكد من توصيل عنق الهراسة مع محور الهراسة.
يسخن مقبض الطاقة (الموتور) أثناء التشغيل.	ربما تجاوزتي فترة التشغيل بمدة أطول.	اتركي الوحدة لتبرد تماماً قبل الاستخدام مرة أخرى.
لا يتم مزج الخليط.	قد تكون سرعة الوحدة غير مناسبة للخليط المراد مزجه.	زيدي السرعة تدريجياً وامزجي لحين الحصول على القوام المطلوب.

## محور دوران المازج اليدوي/ملحق soup XL PRO

- تصميم وتطوير Kenwood في المملكة المتحدة.
- صنع في الصين.



- عبئي الدورق جزئياً أو ما يشابهه من الحاويات بمحلول ماء وصابون دافئ. ثم وصلني الجهاز بمصدر التيار الكهربائي وربكبي محور دوران الخلاط اليدوي أو خلاط الحساء وشغلي الجهاز.
- افصلي الجهاز عن مصدر التيار الكهربائي ثم التجفيف.

أو

- غسل الشفرات تحت الماء الجاري ثم التجفيف الجيد.

- يحذر الغمر في الماء أو السماح بتواجد سوائل داخل المحور. في حالة دخول الماء، اصرفيه واتركي المحور لييجف قبل الاستخدام مرة أخرى.

- يحذر الغسل في غسالة الأطباق.

### تلميح حول تنظيف قدم ومحور الهراسة وشبكتي الهرس

- في حالة وجود مكونات جافة على ذراع الهرس، ففي هذه الحالة فكي رأس الهرس. ثم انقعي رأس وقاعدة الهراسة في محلول ماء دافئ حتى تلين المكونات الجافة ثم اشطفي جيداً.

- يحذر غمر محور الهراسة في الماء أو السماح بتواجد سوائل داخل المحور. في حالة دخول الماء، اصرفيه واتركي المحور لييجف قبل الاستخدام مرة هـام - لا تعرضي عنق الهراسة للبلل.

## معلومات هامة هو الكيفية الصحيحة للتخلص من المنتج وفقاً لتوجيهات الاتحاد الأوروبي المتعلقة بنفايات المعدات الكهربائية والإلكترونية (WEEE)

في نهاية العمر التشغيلي للجهاز، يجب عدم التخلص من الجهاز في نفايات المناطق الحضرية.

بل يجب أخذه إلى مركز تجميع خاص بجهة محلية متخصصة في التخلص من هذه النفايات أو إلى تاجر يقدم هذه الخدمة.

التخلص من الأجهزة المنزلية على نحو منفصل، يجنب الآثار السلبية المحتملة على البيئة والصحة والتي تنتج عن التخلص من هذه النفايات بطريقة غير مناسبة، كما أن هذه العملية تسمح باسترداد المواد المكونة الأمر الذي يتيح الحصول على وفورات كبيرة في مجال الطاقة والموارد. للتذكير بضرورة التخلص من الأجهزة المنزلية على نحو منفصل، يوجد على الجهاز صورة مشطوبة لسلسلة قمامة ذات عجلات.

## الصيانة والعناية بالعملاء

- في حالة مواجهة أية مشكلة متعلقة بتشغيل الجهاز، قبل الاتصال لطلب المساعدة، يرجى مراجعة قسم «دليل اكتشاف المشكلات وحلها» في الدليل أو زيارة موقع الويب [www.kenwoodworld.com](http://www.kenwoodworld.com).

- يرجى الملاحظة بأن جهازك مشمول بضمان، هذا الضمان يتوافق مع كافة الأحكام القانونية المعمول بها والمتعلقة بحقوق الضمان والمستهلك في البلد التي تم شراء المنتج منها.

- في حالة تعطل منتج Kenwood عن العمل أو في حالة وجود أي عيوب، فيرجى إرساله أو إحضاره إلى مركز خدمة معتمد من KENWOOD. للحصول على معلومات محدثة حول أقرب مركز خدمة معتمد من KENWOOD، يرجى زيارة موقع الويب [www.kenwoodworld.com](http://www.kenwoodworld.com)، أو موقع الويب المخصص لبلدك.

العنصر	مناسب للغسل في غسالة الأطباق	لا يغمر في الماء	غسيل يدوي	تنظيف بقطعة قماش رطبة
مقبض الطاقة (الموتور)	X	✓	X	✓
محور دوران المازج	X	✓	X	✓
ملحق soup XL PRO	X	✓	X	✓
أداة مكون الرغوة/الفوم	X	✓	X	✓
الدورق	✓	X	✓	✓
غطاء الدورق	✓	X	✓	✓
القاعدة الدائرية المطاطية الخاصة بالدورق	✓	X	✓	✓
غطاء نصل السكين	X	X	✓	✓
غطاء المفرمة	X	✓	X	✓
سلطانية المفرمة	✓	X	✓	✓
سكين المفرمة	✓	X	✓	✓
غطاء وعاء الفرم	✓	X	✓	✓
القاعدة الدائرية المطاطية الخاصة بسلطانية المفرمة	✓	X	✓	✓
عنق الخفاقة	X	✓	X	✓
خفاقة البيض	✓	X	✓	✓
محور الهراسة	X	✓	X	✓
رأس الهرس	✓	X	✓	✓
عنق الهراسة	X	✓	X	✓
الهراسة	✓	X	✓	✓

## ٤ الهراسة المعدنية - Masherpro™ (في حالة التزويد داخل صندوق البيع)

### هام

- يحذر استخدام الهراسة في المقلاة أثناء وضع المقلاة فوق مصدر حراري مباشر. ارفعي المقلاة دائماً عن المصدر الحراري واتركيها لكي تبرد أولاً.
- لا تطرقي الهراسة في جوانب إناء الطهي أثناء وبعد عملية الهرس. استخدمي الملعقة البلاستيكية لكشط المكونات الزائدة.
- للحصول على أفضل النتائج أثناء الهرس في المقلاة، احرصى على عدم تجاوز كمية المكونات التي تريدين هرسها عن نصف سعة المقلاة.

١ اطهي الخضروات والفواكه الصلبة وصفيها قبل الهرس.

٢ ركبى عنق الهراسة في ذراع الهرس ولفى العنق في اتجاه عقارب الساعة حتى يستقر في موضعه الصحيح ٦.

٣ ركبى إما شبكة الهرس الخشن أو الناعم في محور الهراسة - ثم لفيها في اتجاه عقارب الساعة حتى تستقر في موضعها الصحيح ٧.

٤ اقلبي الهراسة وركبى رأس الهرس على المحور المركزي ولفى رأس الهرس في اتجاه عكس عقارب الساعة حتى تستقر في موضع التركيب الصحيح ٨. (في حالة عدم تركيب عنق الهراسة فلن تستقر رأس الهرس في موضع التركيب الصحيح).

٥ ركبى مقبض الطاقة (الموتور) في الهراسة - لفيه في اتجاه عقارب الساعة حتى يستقر في موضع التعشيق.

٦ وصلى الجهاز بمصدر التيار الكهربى.

٦ ضعي الهراسة في المقلاة أو السلطانية أو ما شابه.

اخترى سرعة منخفضة من مفتاح

السرعات المتغيرة ثم اضغطى على زر

التشغيل (ON) (راجعى جدول توصيات الاستخدام).

● حركى الهراسة في حركة لأعلى وأسفل داخل الخليط لحين الحصول على القوام المطلوب.

٨ بعد الانتهاء من عملية الهرس، حررى زر التشغيل وافصلى الجهاز عن مصدر التيار الكهربى.

٩ لفي مقبض الطاقة (الموتور) في اتجاه عكس عقارب الساعة وأزيلي الهراسة.

١٠ فكى رأس الهرس من الهراسة عن طريق لفها في اتجاه عقارب الساعة.

١١ أزيلي الشبكة عن طريق لفها في اتجاه عكس عقارب الساعة ٩ ثم ارفعيها للخارج.

١٢ فكى عنق الهراسة من محور دوران الهراسة.

### ملحق اختياري (لا يتم تزويده مع صندوق البيع)

الهراسة الصغيرة - راجعى قسم الصيانة ورعاية العملاء لطلبها.

### العناية والتنظيف

- أوقفى دائماً تشغيل الجهاز وافصليه عن مصدر التيار الكهربى قبل التنظيف.
- لا تلمسى الشفرات الحادة.
- قد تتسبب بعض الأطعمة (المكونات) مثل الجزر في تغير لون البلاستيك. امسحى البلاستيك بقماش مغموس في زيت نباتى لإزالة تغيير اللون.
- لا تستخدمى مواد كاشطة.

## ⓑ استخدام الخفاقة

- اهرسي دائماً الفواكه إلى مهروس لين قبل الإضافة.
- في حالة استخدام خلطات الشربات والمساحيق، أضيفهم بعد المزج مباشرة لتجنب ترسبهم في القاع.
- لأفضل النتائج، يجب أن تكون كل المكونات السائلة باردة بقدر المستطاع.
- المشروبات التي تحتوي على الحليب يكون مذاقها أفضل إذا كان الحليب مثلجاً. كلما كان الحليب بارداً، كلما كان المشروب ثخيناً وبرغوة كبيرة.
- الحليب منزوع الدسم يكون رغوة أكبر من الحليب نصف دسم أو كامل الدسم.
- لا تحاولي خلط فواكه مجمدة أو جرش الثلج.
- جزئي كتل الآيس كريم الكبيرة إلى قطع صغيرة قبل تكوين الرغوة.

## ⓓ استخدام المفرمة/القطاعة (في

### حالة تزيدها مع عبوة البيع)

- يمكنك تقطيع اللحم وفرم والخضراوات والأعشاب والخبز والبسكويت والمكسرات.
- لا تقرمي/تقطعي المكونات الصلبة مثل حبوب القهوة ومكعبات الثلج والتوابل أو الشكولاته - فقد يتسبب ذلك في تلف سكين الفرغ/التقطيع.
- ١ أزيل العظم وقطعي المكونات إلى مكعبات بطول ١ إلى ٢ سم.
- ٢ ركبي القاعدة الدائرية المطاطية ⑩ في قاع وعاء الفرغ/التقطيع.
- (سيحول ذلك دون تزلزل الوعاء على سطح العمل).
- ٣ ركبي سكين الفرغ/التقطيع على السن ③ الموجود في الوعاء.
- ٤ أضيفي المكونات.
- ٥ ركبي غطاء المفرمة/القطاعة وفيه حتى يستقر في موضع القفل الصحيح ④.
- ٦ ركبي مقبض الطاقة (الموتور) في غطاء المفرمة ⑤ - وفيه في اتجاه عقارب الساعة حتى يستقر في موضع التعشيق.
- ٧ وصلي الجهاز بمصدر التيار الكهربائي. امسكي الوعاء بثبات. ثم اضغطي على زر السرعة الفائقة "Turbo". أو بطريقة أخرى يمكنك الضغط على زر السرعة الفائقة "Turbo" ضغطات قصيرة للحصول على وضع تشغيل نبضي.
- ٨ بعد الانتهاء من الاستخدام افصلي الجهاز عن مصدر التيار الكهربائي وفكي الجهاز.

- يمكنك خفق المكونات الخفيفة مثل بياض البيض والكريمات والحلويات السريعة.
- لا تخفقي خلطات ثخينة مثل السمن أو السكر - فسوف يتسبب ذلك في تلف الخفاقة.
- ١ ركبي الخفاقة السلكية في عنق الخفاقة ②.
- ٢ ركبي مقبض الطاقة (الموتور) داخل عنق خفاقة البيض وفيه في اتجاه عقارب الساعة ليستقر في موضع التعشيق.
- ٣ ضعي المكونات في وعاء التقطيع.
- ٤ وصلي الجهاز بمصدر التيار الكهربائي واضغطي على زر التشغيل (ON).
- للتحقق السريع، اختاري سرعة عالية أو اضغطي على زر السرعة الفائقة «Turbo». حركي خفاقة البيض في اتجاه عقارب الساعة.
- لتقليل تناثر المكونات، اختاري سرعة منخفضة واضغطي على زر التشغيل (ON).
- لا تسمحي بارتفاع السائل فوق مستوى أسلاك الخفاقة.
- ٥ بعد الانتهاء من الاستخدام حرري زر التشغيل أو زر السرعة الفائقة ز Turbo ثم افصلي الجهاز عن مصدر التيار الكهربائي وفكي الجهاز.

## Ⓒ استخدام ملحق مكون الرغوة/

### الفوم (في حالة تزيدها مع عبوة البيع)

### صندوق البيع)

- يحذر إضافة المكونات أثناء تشغيل الجهاز.
- توخي الحذر عند التعامل مع السوائل الساخنة، لا تعالجي كمية أكبر من ٣٠٠ مللي في الدورق.
- لا تعالجي كمية أكبر من ٤٠٠ مللي من الحليب البارد في الدورق، حيث قد يحدث تصاعد للحليب وينسكب خارج الدورق مع تكون الرغوة وكثافة الخليط.
- ١ ركبي محور دوران ملحق مكون الرغوة/ الفوم في مقبض الطاقة. لفي مقبض الطاقة في اتجاه عقارب الساعة ليستقر في موضع التعشيق.
- ٢ ابدئي الخلط على سرعة منخفضة مع زيادة السرعة حسب الحاجة.
- **تلميحات**
- لتجنب تناثر المكونات، ضعي أداة مكون الرغوة/الفوم في المكونات المراد تحضيرها قبل تشغيل الجهاز. تأكدي دائماً أن قاع أداة مكون الرغوة/الفوم مغمور في المكونات أثناء المعالجة.
- أضيفي دائماً المكونات السائلة أولاً.

## جدول توصيات الاستخدام

المكونات/وصفة التحضير	الحاوية	السرعة	زمن المعالجة *	السعة القصوى
<b>أداة مكون الرغوة/الفوم</b>				
الحليب البارد	دورق ١ لتر	minimum	١٥ إلى ٢٠ ثانية	٤٠٠ مللي
الحليب الدافئ - مسخن في المقلاة بها ماء مغلي	دورق ١ لتر	minimum	١٥ إلى ٢٠ ثانية	٣٠٠ مللي
<b>(الحليب البارد منزوع الدسم يكون أفضل رغوة)</b>				
فوم بأساس من الفاكهة	دورق ١ لتر	minimum	٣٠ ثانية	(٢٠٠ غرام مهروس فواكه + ٢٠٠ مللي ماء)

\* الأزمنة المعروضة هي أزمنة إرشادية فقط وتختلف حسب الوصفة والمكونات المستخدمة.

### استخدام الخلاط اليدوي

- يمكنك خلط الحساء والصلصات والحليب المخفوق والمايونيز وطعام الرضع غيرها من المكونات ذات نفس القوام.
- **للخلط داخل الدورق (في حالة تزويد الدورق)**
- ركب القاعدة الدائرية المطاطية ⑨ في قاع الدورق. (سيحول ذلك دون تزلزل الدورق على سطح العمل).
- لا تملئي الدورق بأكثر من ثلثي (٣/٢) السعة القصوى.
- بعد المزج، يمكنك تركيب الغطاء العلوي ⑦ على الدورق.

### ملاحظة

- في حالة عدم تزويد الدورق داخل عبوة البيع، اختاري حاوية ذات حجم مناسب.
- نوصي باستخدام حاوية طويلة ذات جوانب مستقيمة ذات قطر أكبر من قطر ذراع الخلط العريض الخاص بالخلط اليدوي وذلك لإتاحة الفرصة أمام حركة المكونات وأيضاً يجب أن تكون الحاوية طويلة بالقدر الكافي لمنع حدوث تطاير للمكونات.
- **للخلط في مقلاة الصلصات**
- للاستخدام السريع، نوصي برفع المقلاة عن المصدر الحراري وترك السوائل الساخنة لكي تبرد وتصبح في درجة حرارة الغرفة قبل الخلط.
- استخدم ملحق soup XL PRO (في حالة تزويده) لتحضير الحساء سريعاً ومباشرة في مقلاة الصلصات. أو بطريقة أخرى يمكنك استخدام المازج اليدوي.

### ● لا تستخدم خلاط الحساء مع الخضراوات غير المطبوخة.

- ١ أزيل غطاء نصل السكين ⑥ أو ⑩ من نهاية محور المازج/ملحق soup XL PRO.



جدول توصيات الاستخدام				
المكونات/وصفة التحضير	الحاوية	السرعة	زمن المعالجة *	السعة القصوى
<b>المزاج اليدوي</b>				
الحساء	مقلاة ٢ لتر	Turbo	٢٥ ثانية	١ لتر
المايونيز	دورق ١ لتر	Turbo	٤٥ إلى ٦٠ ثانية	٤ بيضات ٦٠٠ مللي زيت
طعام الرضع	دورق ١ لتر	Turbo	٣٠ إلى ٤٠ ثانية	٣٠٠ غرام
الرغويات/الحليب المخفوق	دورق ١ لتر	Turbo	٣٠ ثانية	٨٠٠ مللي
<b>ملحق Soup XL PRO</b>				
الحساء	مقلاة ٤ لتر	Turbo	٢٥ ثانية	٢ لتر
<b>خفافة البيض</b>				
بياض البيض	السلطانية الزجاجية الكبيرة	Turbo	٢ إلى ٣ دقائق	٤ (١٥٠ غرام)
القسدة	السلطانية الزجاجية الكبيرة	Turbo	٢ إلى ٢,٥ دقيقة	٤٠٠ مللي
<b>ملحق المفرمة</b>				
اللحوم	سلطانية المفرمة	Turbo	١٠ إلى ١٥ ثانية	٢٥٠ غرام
الأعشاب	سلطانية المفرمة	Turbo	٥ إلى ١٠ ثوان	٣٠ غرام
المكسرات	سلطانية المفرمة	Turbo	١٠ إلى ١٥ ثانية	٢٠٠ غرام
الخبز	سلطانية المفرمة	Turbo	٥ إلى ١٠ ثوان	١ شريحة
البصل	سلطانية المفرمة	pulse	-	٢٠٠ غرام
البسكويت	سلطانية المفرمة	Turbo	١٥ ثانية	١٤٠ غرام
العجائن الهشة	سلطانية المفرمة	Turbo	١٠ إلى ١٥ ثانية	١٥٠ غرام
<b>ماريناد البرقوق المجفف</b> ٥٠ غرام برقوق مجفف طري صغير ٤٠٠ غرام عسل نحل صافي ٣٥ غرام ماء  أضيفي المكونات في سلطانية المفرمة بالترتيب المذكور أعلاه. ركبي الغطاء العلوي وضعيها في الثلاجة طوال الليل.	سلطانية المفرمة	Turbo	٣ ثانية	٤٨٥ غرام
<b>الهراسة المعدنية Metal Masher Pro - شبكة الهرس الخشن</b>				
<b>الخضراوات المطهية</b> (البطاطس، اللفت/ الجزر والبطاطا)	المقلاة الكبيرة/ السلطانية الكبيرة	minimum	٣٠ إلى ٤٠ ثانية	٦٠٠ إلى ٨٠٠ غرام
<b>الهراسة المعدنية Metal Masher Pro - شبكة الهرس الناعم</b>				
البطاطس المطهية	المقلاة الكبيرة/ السلطانية الكبيرة	minimum	٣٠ إلى ٤٠ ثانية	٦٠٠ إلى ٨٠٠ غرام
<b>الفواكه اللينة</b> التوت المشمش	السلطانية الكبيرة مقلاة ١ لتر	minimum minimum	٣٠ إلى ٤٠ ثانية ٣٠ إلى ٤٠ ثانية	٥٠٠ غرام ٤٠٠ غرام (ملينة في الماء)

\* الأزمنة المعروضة هي أزمنة إرشادية فقط وتختلف حسب الوصفة والمكونات المستخدمة.

- ① المفرمة/القطاعة (في حالة تزويدها مع عبوة البيع)
- ② غطاء المفرمة/القطاعة
- ③ مقبض الأصابع
- ④ سكين المفرمة/القطاعة
- ⑤ وعاء الفرم/التقطيع
- ⑥ قاعدة دائرية مطاطية
- ⑦ غطاء وعاء الفرم/التقطيع

⑧ الهراسة المعدنية – masherpro™  
(في حالة تزويدها داخل صندوق البيع)

- ① رأس الهرس
- ② محور الهراسة
- ③ شبكة الهرس الناعم
- ④ شبكة الهرس الخشن
- ⑤ رأس الهرس

قبل توصيل الجهاز بمصدر التيار الكهربائي

- يجب التأكد من تماثل مواصفات المصدر الكهربائي مع المواصفات الموضحة على الخلاط اليدوي.
- يتوافق هذا الجهاز مع تنظيمات الاتحاد الأوروبي 2004/1935 المتعلقة بالمواد والأجسام المتلامسة مع الأطعمة.

قبل استخدام الجهاز للمرة الأولى

- تخلصي من أغشية وحدة الشفرات الثلاثية Triblade™ ونصل المفرمة/القطاعة حيث تستخدم هذه الأغشية فقط لحماية الشفرات أثناء التصنيع والنقل. **توخي الحذر فالشفرات حاد جداً.**
- اغسلي الأجزاء المسموح بغسلها: راجعي قسم العناية والتنظيف.

## الدليل

### المزاج اليدوي

- ① مفتاح التحكم في السرعات
- ② زر التشغيل «ON»
- ③ زر السرعة الفائقة «Turbo»
- ④ مقبض الطاقة «الموتور»
- ⑤ محور دوران المزاج مزود بمجموعة شفرات ثلاثية (triblade) مثبتة
- ⑥ غطاء نصل السكين

### الدورق (في حالة تزويده)

- ⑦ قاعدة دائرية مطاطية
- ⑧ غطاء الدورق
- ⑨ الدورق

### ⑩ ملحق SOUP XL PRO (في حالة

- التزويد داخل صندوق البيع)
- ⑩ ملحق soup XL PRO
  - ⑪ غطاء نصل السكين

### ⑫ خفاقة البيض (في حالة تزويدها

- مع عبوة البيع)
- ⑫ عنق الخفاقة
  - ⑬ الخفاقة السلكية

### ⑭ أداة مكون الرغوة/الفوم (في حالة

- التزويد داخل صندوق البيع)
- ⑭ أداة مكون الرغوة/الفوم

- عليهم بحيث يمكنهم استخدامه بطريقة آمنة مع إدراك المخاطر التي تنطوي على استخدام الجهاز.
- قد يؤدي سوء استخدام الجهاز إلى حدوث إصابات
- لا يجوز استخدام هذا الجهاز من قبل الأطفال.
- احتفظي بالجهاز والسلك الكهربائي بعيداً عن متناول الأطفال.
- يجب الإشراف على الأطفال للتأكد من عدم عبثهم بالجهاز.
- استخدمي الجهاز فقط في الاستخدامات المنزلية المخصص لها. لن تتحمل شركة Kenwood أية مسؤولية في حالة استخدام الجهاز بطريقة غير صحيحة أو عدم الامتثال للتعليمات المذكورة.
- تستند القوة المقدررة إلى ملحق القطاعة. قد تستهلك الملحقات الأخرى طاقة أقل.

### هام

- عند التعامل مع الخلطات الثخينة ولضمان عمر طويل للجهاز، لا تستخدمى الخلاط اليدوي لمدة تزيد عن ٥٠ ثانية كل فترة ٤ دقائق.
- لا تستخدمى ملحقات خفاقة البيض أو مكون الرغوة/الفوم لمدة مستمرة أطول من ٣ دقائق كل فترة ١٠ دقائق.

### ملحق المفرمة/القطاعة

- لا تلمسى الشفرات الحادة.
- أزيلى سكين الفرمة/التقطيع قبل تفريغ وعاء الفرمة/التقطيع.
- يحذر إزالة غطاء المفرمة/القطاعة قبل توقف سكين الفرمة/التقطيع عن الحركة تماماً.
- امسكى دائماً نصل سكين الفرمة/التقطيع بقبضة الإصبع من خلال مقبض الأصابع بعيداً عن نصل السكين سواء عند الاستخدام أو التنظيف.

## السلامة

- اقرئي التعليمات التالية واحتفظي بها في المتناول للاستخدامات المستقبلية المرجعية.
- أزيلتي مكونات التغليف وأية ملصقات.
- لأسباب متعلقة بالسلامة ولتجنب حدوث أية مخاطر، في حالة تلف السلك الكهربائي أو القابض، يجب استبداله بواسطة Kenwood أو مركز خدمة معتمد من قبل Kenwood.
- لا تلمسي الشفرات أثناء توصيل الجهاز بمصدر التيار الكهربائي.
- ابعدي الأصابع، الشعر، الملابس وأدوات المائدة بعيداً عن الأجزاء المتحركة.
- افصلي الجهاز عند مصدر التيار الكهربائي بعد الانتهاء من الاستخدام وقبل تغيير الملحقات.
- لا تخلطي الزيوت الساخنة أو الدهون.
- للاستخدام السريع، نوصي بترك السوائل الساخنة لكي تبرد وتصبح في درجة حرارة الغرفة قبل الخلط.
- يحذر استخدام الخلاط اليدوي في حالة تلفه. يجب فحص الجهاز أو إصلاحه: راجعي قسم الخدمة ورعاية العملاء.
- يحذر غمر مقبض الطاقة في الماء أو السماح ببلل للسلك أو القابض - قد تصابين بصدمة كهربائية.
- احذري ملامسة السلك لسطح ساخن أو تركه متديلاً في حالة وجود طفل فقد ينتزعه.
- لا تستخدم أي ملحقات غير معتمدة.
- افصلي دائماً الخلاط اليدوي عن مصدر التيار الكهربائي في حالة ترك الجهاز دون استخدام أو قبل تركيب أو فك الملحقات أو التنظيف.
- يمكن استخدام الأجهزة من قبل أشخاص ذوي قدرات جسدية أو حسية أو عقلية منخفضة وممن هم دون خبرة أو معرفة باستخدام الأجهزة في حالة منحهم التعليمات الخاصة بالاستخدام أو الإشراف