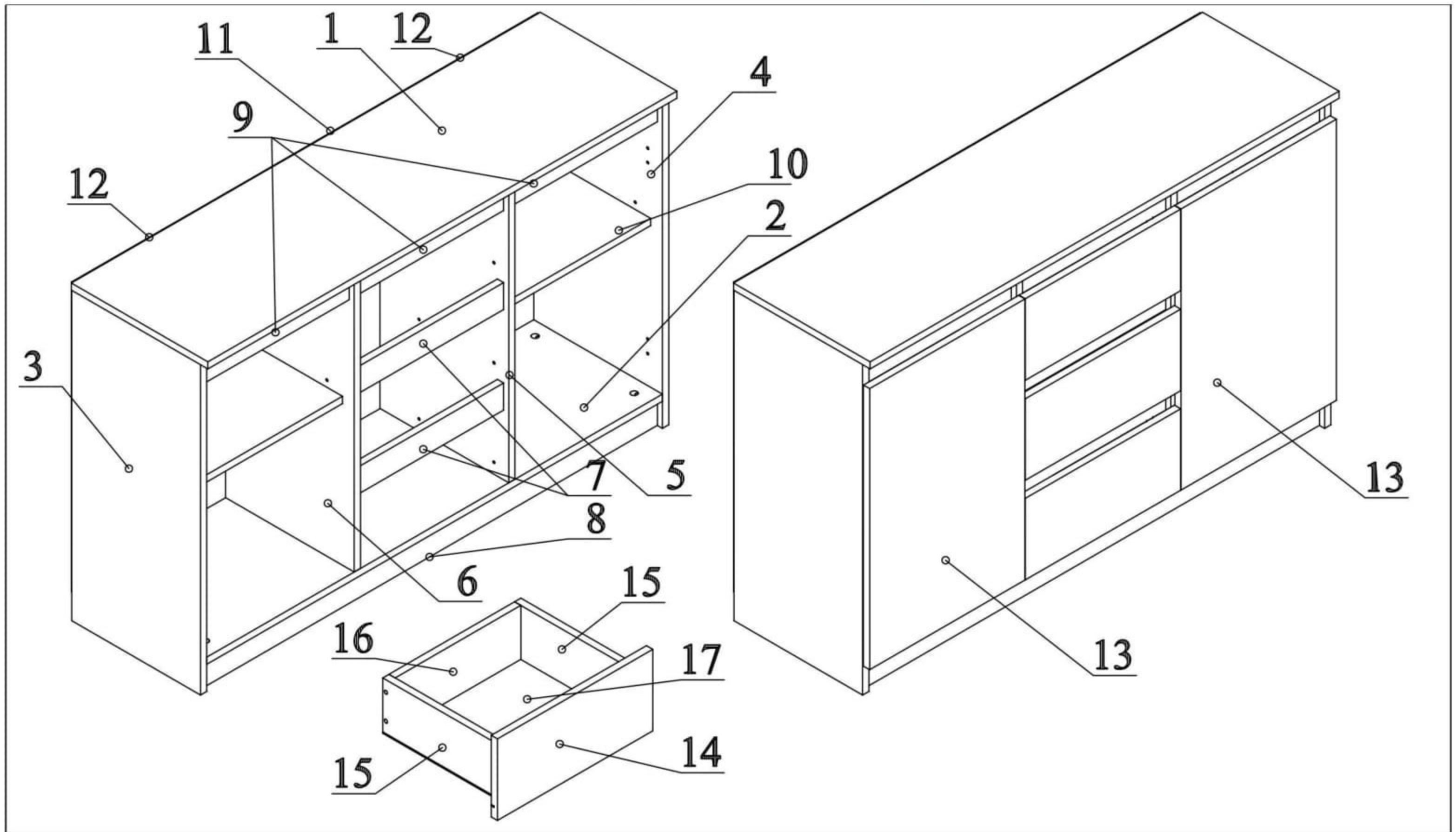




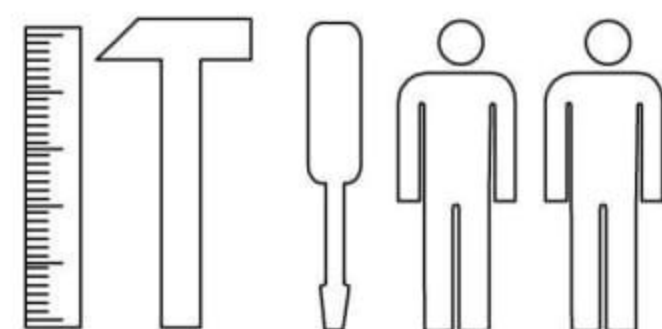









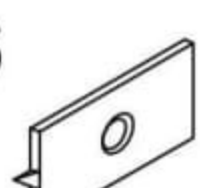

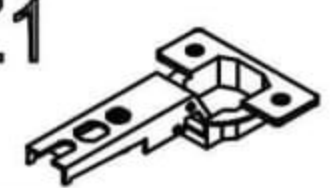


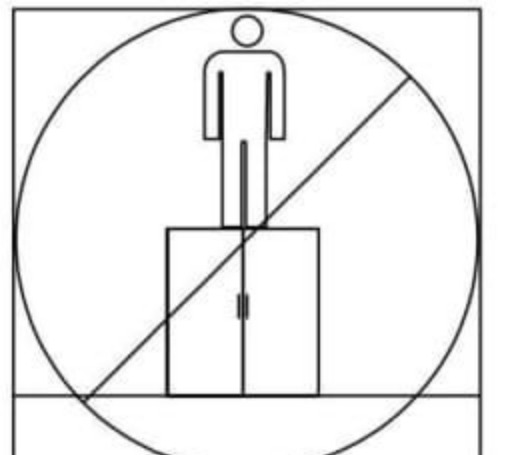
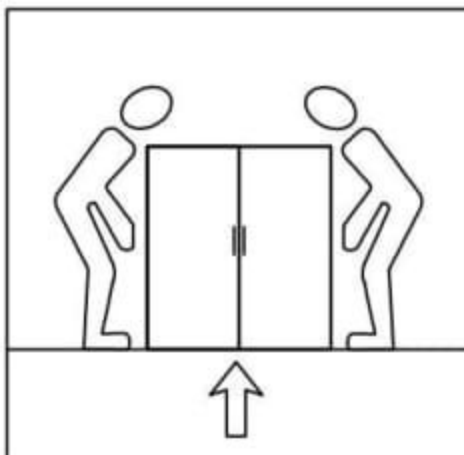
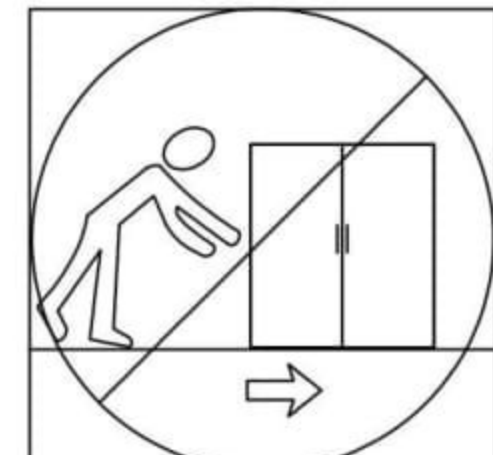
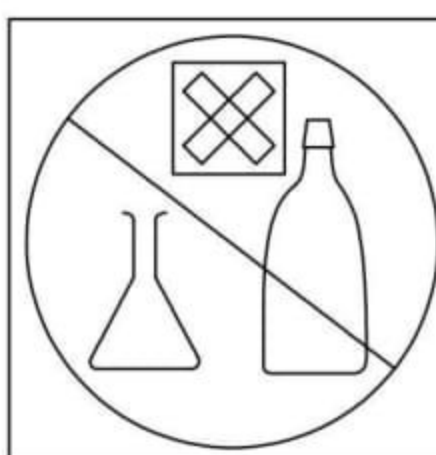
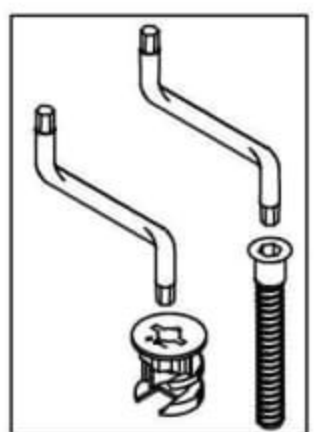
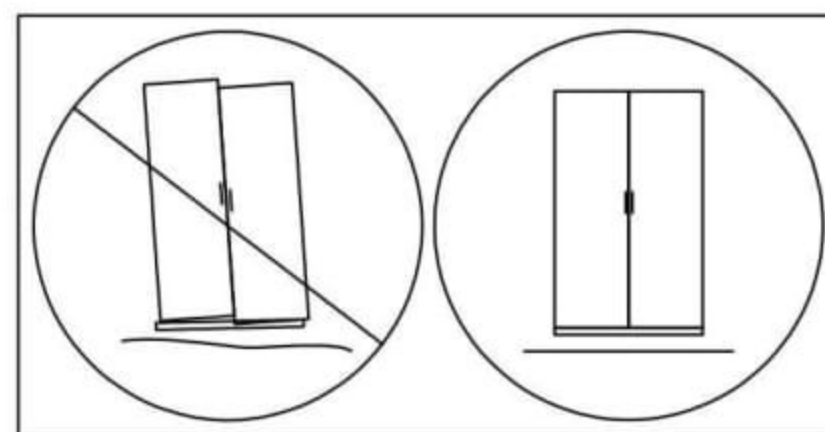
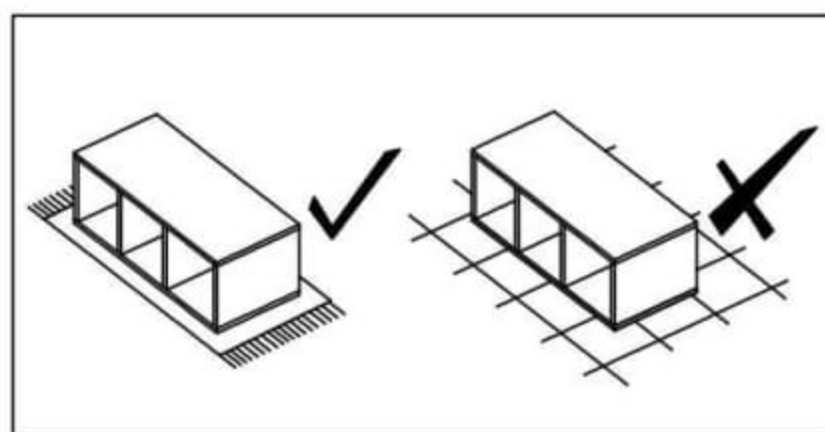
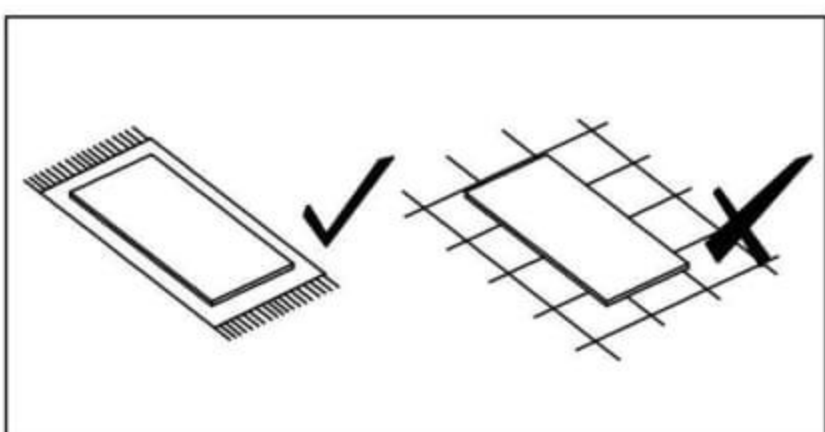


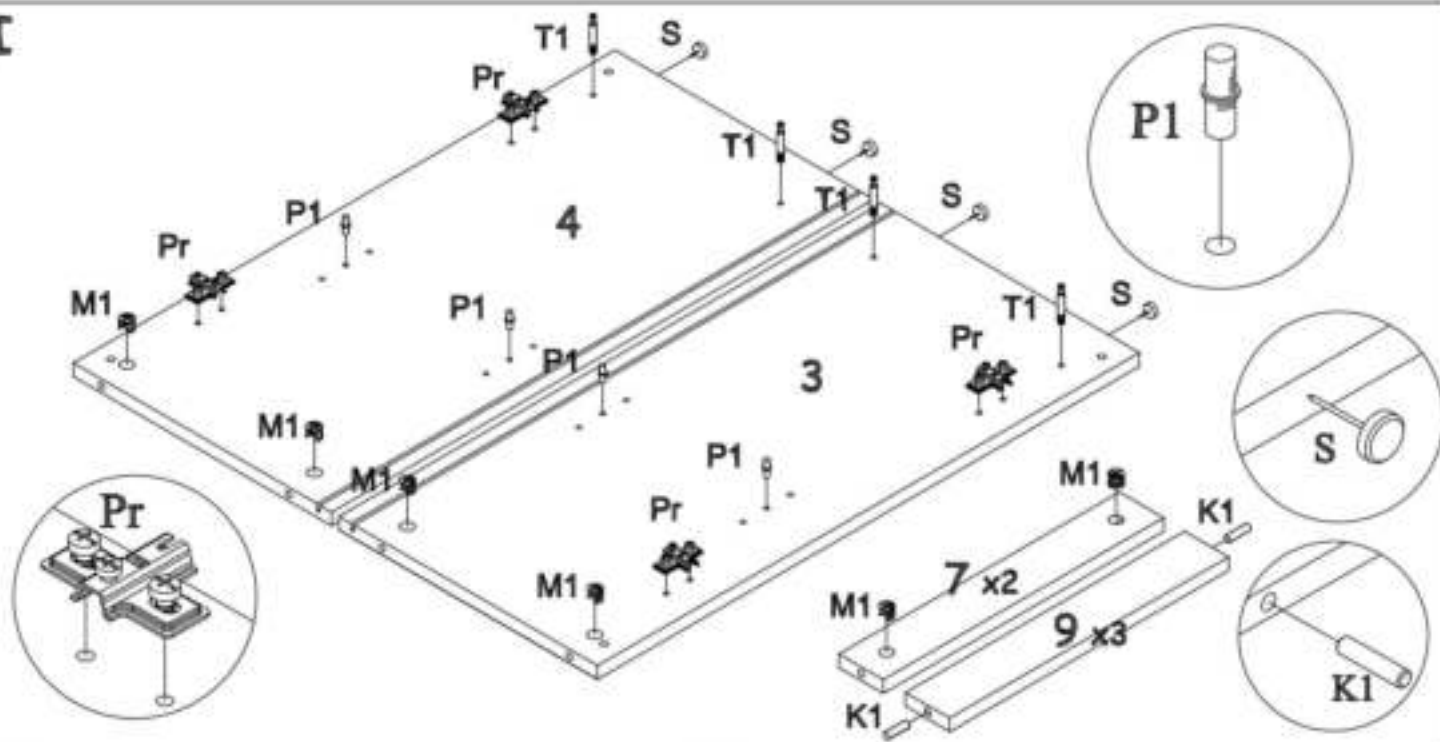
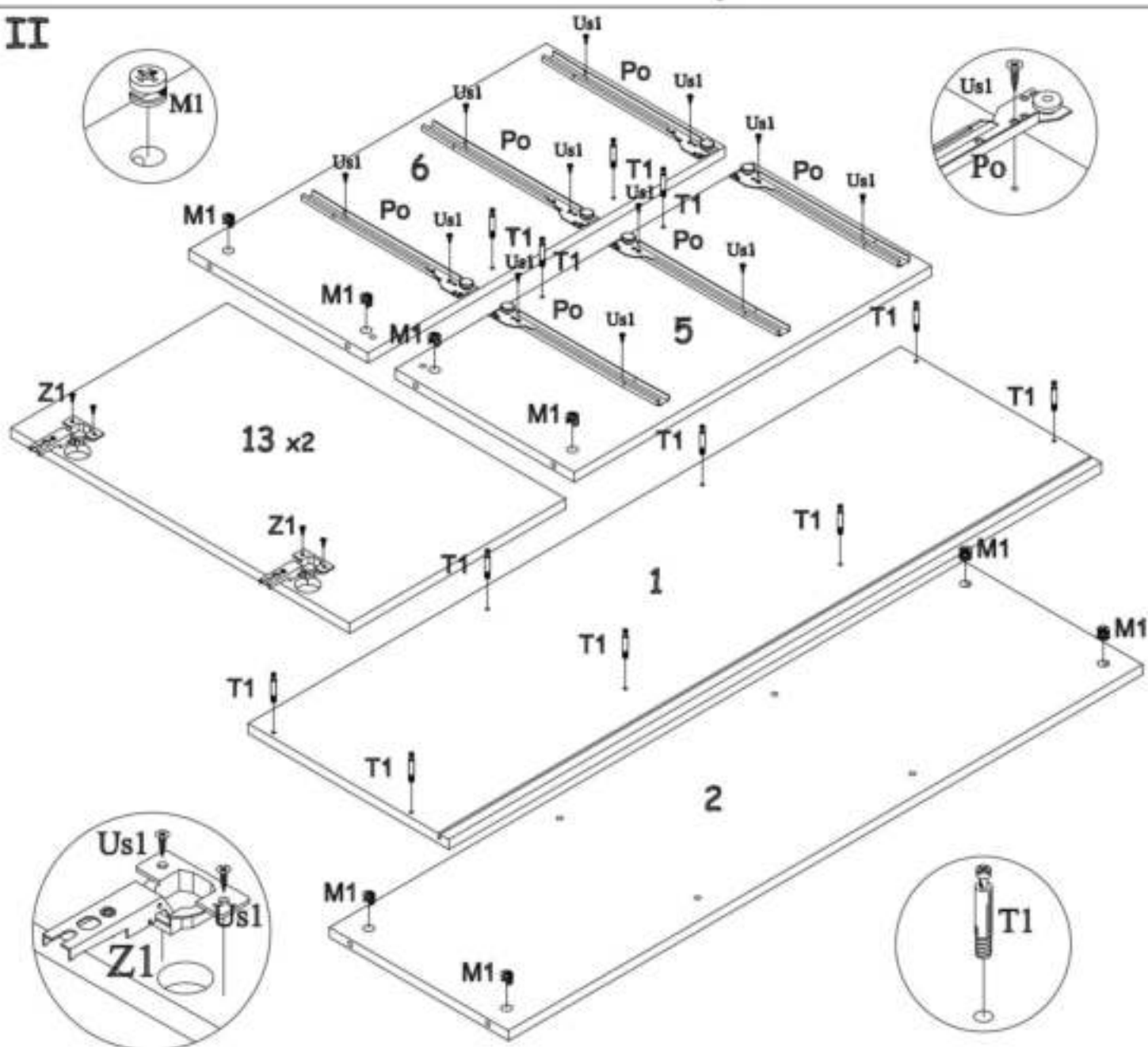
# Dressoir Bruno 120 cm



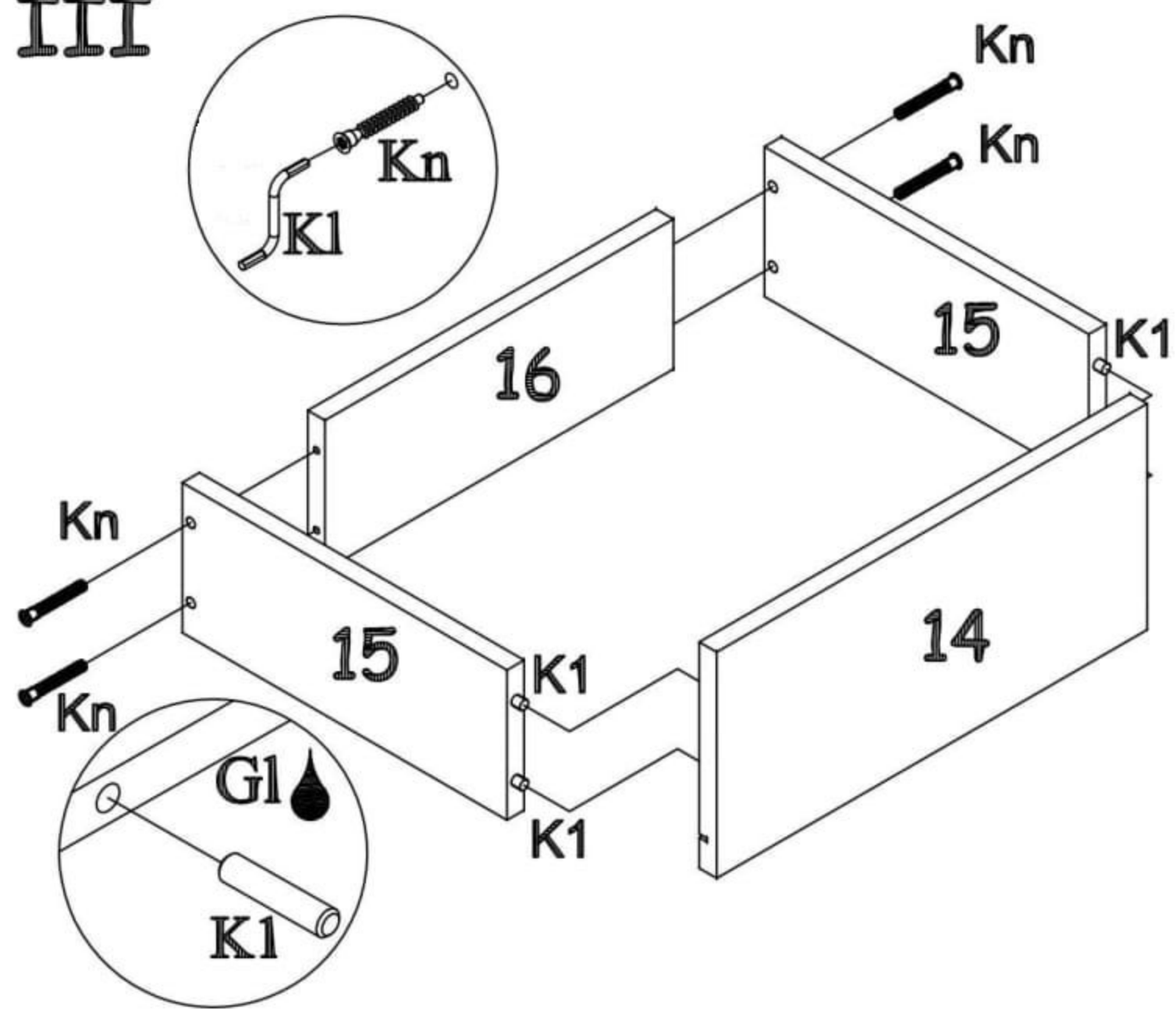
<b>Po</b>  X3	<b>M1</b>  X16 Ø15X12	<b>Gl</b>  X1	<b>K1</b>  X20 Ø8X36		 <b>60 min</b>
<b>Kn</b>  X16	<b>T1</b>  X16	<b>Us1</b>  X38 Us 3,5X16	<b>Kl</b>  X1		
<b>G</b>  X50	<b>Za1</b>  X16	<b>Za2</b>  X4	<b>S</b>  X6	<b>G16</b>  X10	<b>P1</b>  X8
<b>Z1</b>  X4	<b>Pr</b>  X4	<b>St</b>  X12			



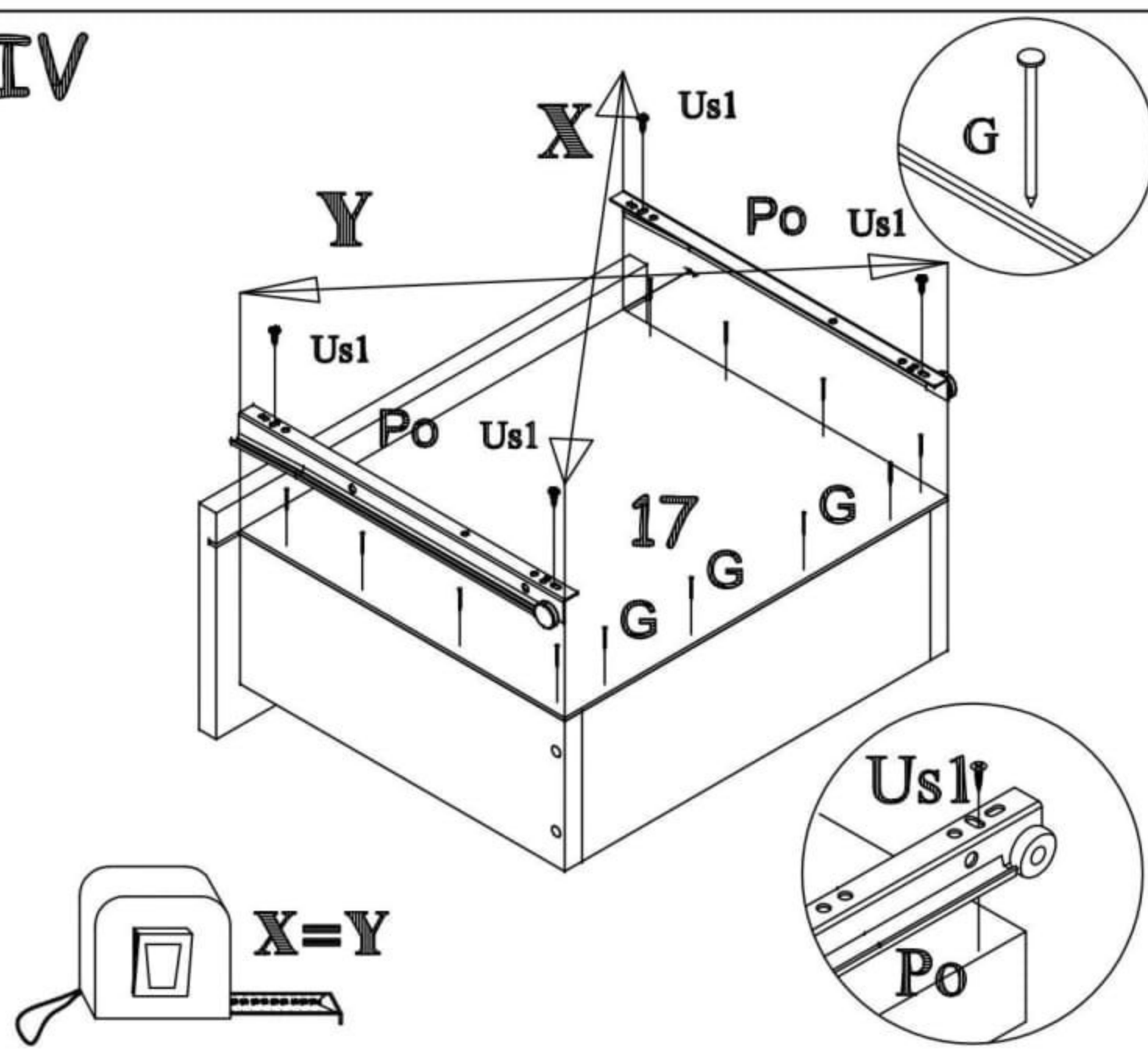


**I****II**

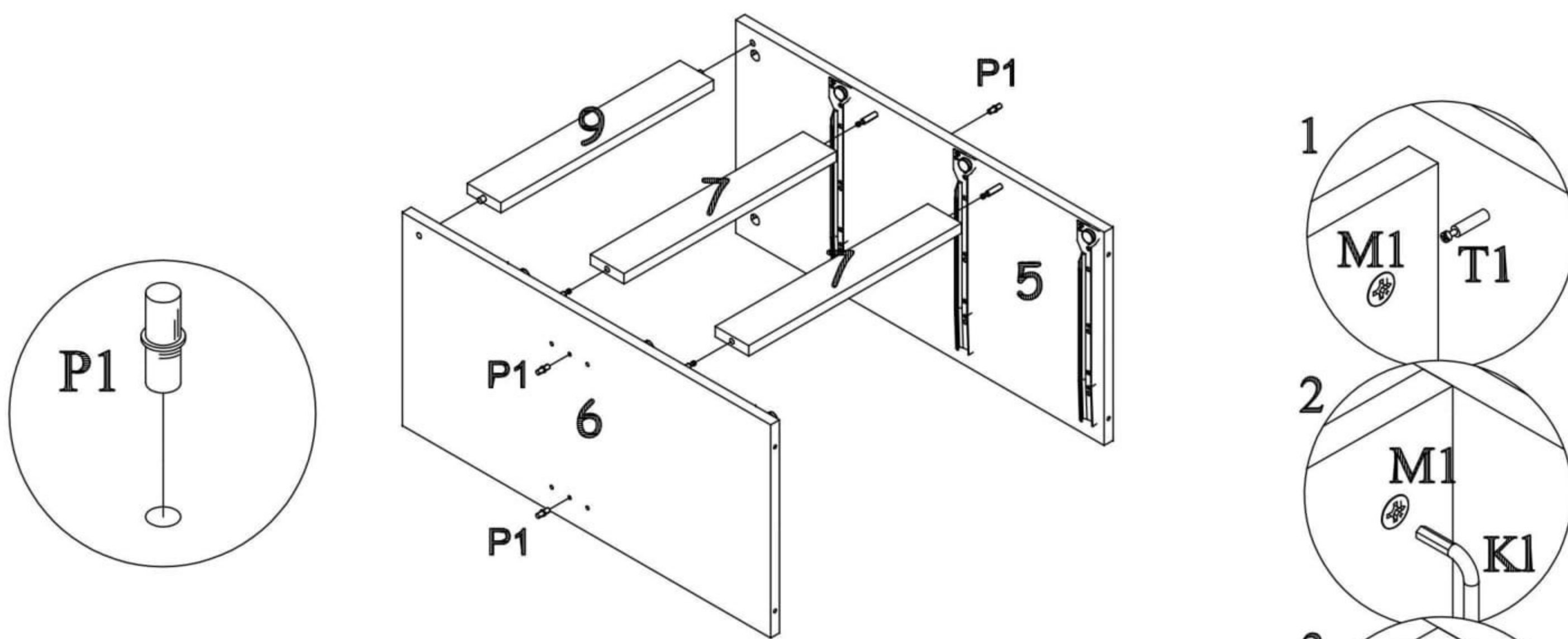
III



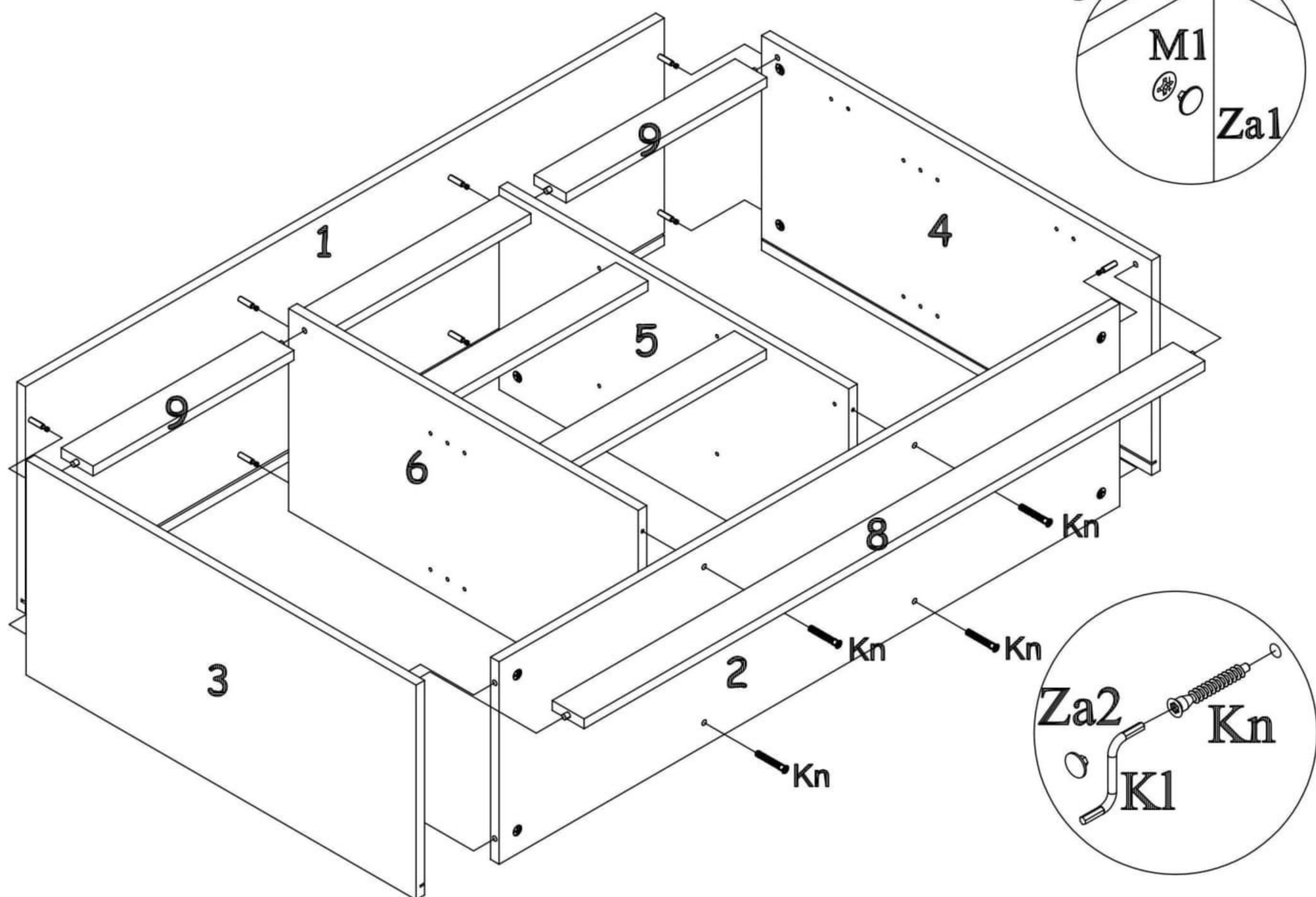
IV



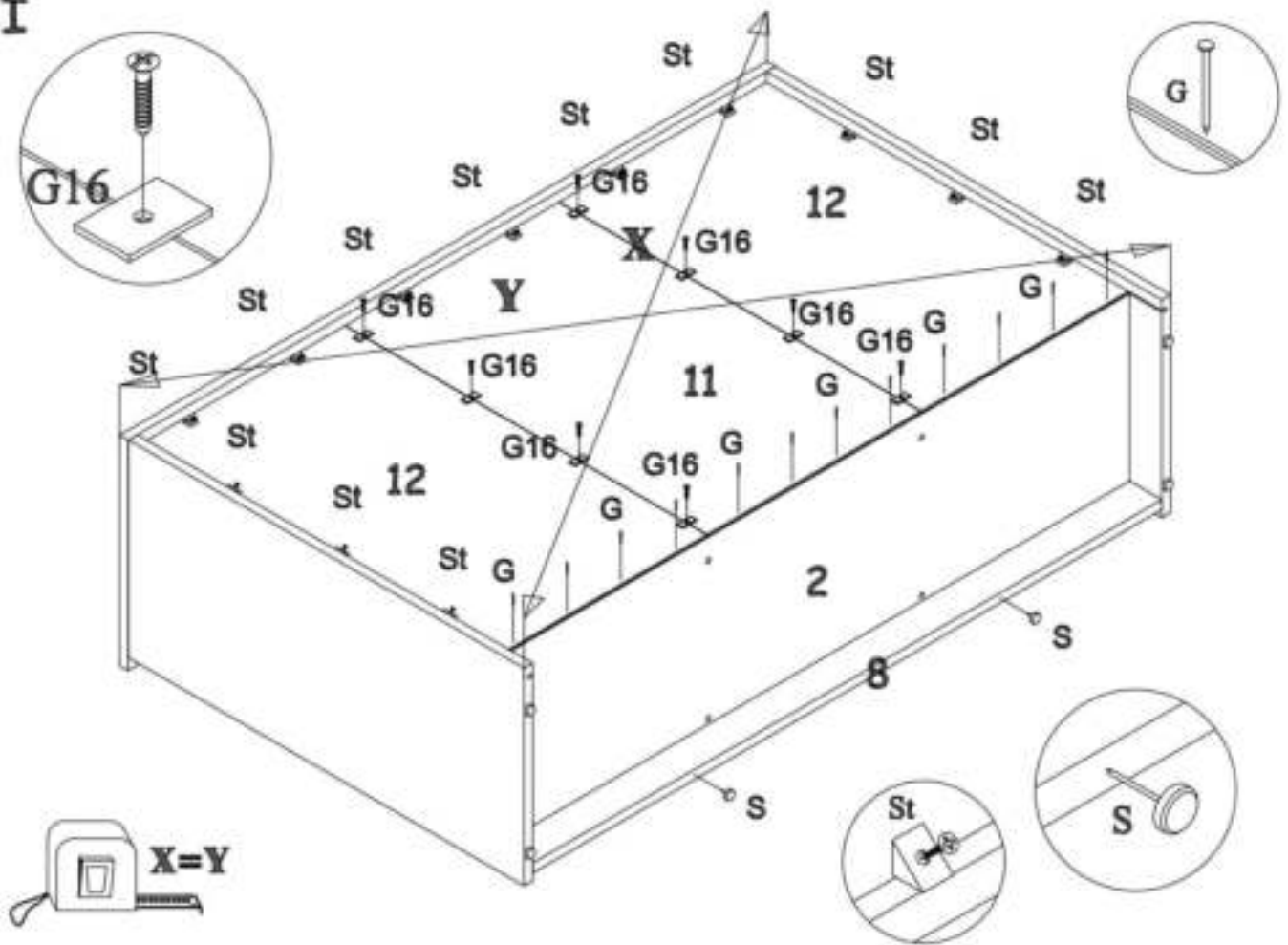
V



VI



# VII



# VIII

