

LIVOO
Feel good moments
Instruction manual

Raclette grill 2 persons



Reference: DOC156
Version: 1.4
Language: English



Instruction manual

You have purchased a product LIVOO brand and we thank you. We take great care in design, ergonomics and ease of use of our products. We hope that this product will give you complete satisfaction.

This instruction manual is available too on our website www.livoo.fr

General Instructions

PLEASE, TAKE TIME TO READ WELL THE INSTRUCTIONS FOR USE PARTICULARLY BEFORE THE FIRST USE.

A misuse of the appliance can damage it or hurt the user. Assure that you use the appliance for the use for which it is designed; we refuse any responsibilities as for the damages by an incorrect use or a bad manipulation.

1. Check that your main voltage corresponds to that stated on the appliance.
2. The safety instructions do not by themselves eliminate any danger completely and proper accident prevention measures must always be used.
3. Never leave the appliance unsupervised when in use.
4. Keep the appliance and its cord out of reach of children less than 8 years.
5. Children shall not play with the appliance.
6. Cleaning and user maintenance shall not be made by children unless they are older than 8 years and supervised.
7. This appliance can be used by children aged from 8 years and above and persons with reduced physical, sensory or mental capabilities or lack of experience and knowledge if they have been given supervision or instruction concerning use of the

Instruction manual

appliance in a safe way and understand the hazards involved.

8. If the supply cord is damaged, it must be replaced by the manufacturer, its service agent or similarly qualified persons in order to avoid a hazard (*).
9. Do not pass the cord over objects with sharp edges and keep it at a distance from, hot objects and bare flames. Always pull on the plug to disconnect it from the feed source.
10. For extra protection it is possible to equip your home of electrical system with a residual current circuit breaker with voltage break at 30 mA max mum. Ask your electrician for advice.
11. Make sure that the cord or the extension cable is not at risk of being pulled inadvertently nor of being topped over by anyone at the time of use.
12. When you use an extension cable. Make sure that it is adapted to the appliance essential consumption. Contrary to this, the extension cable and/ or the plug risks overheating.
13. Only use the appliance for domestic purposes and in the way indicated in the instructions.
14. Never immerse the base of your appliance in water or any other liquid for any reason whatsoever. Never place it into the dishwasher.
15. In case the appliance accidentally falls into water disconnect it immediately. Have it checked by an expert before re-using, if you do not do this you run the risk of electrocution.
16. Never try to open the casing yourself.

Instruction manual

17. Do not use the appliance if your hands are damp if the oil is wet, or if the appliance itself is damp .
18. Do not touch the plug if your hands are damp or wet.
19. Never use the appliance near hot surfaces.
20. Never use the appliance outside and always place it in a dry environment. Before cleaning, always unplug the appliance from the power supply.
21. Never use accessories that are not recommended by the producer. They could constitute a danger to the user and risk to damage the appliance.
22. Never move the appliance by pulling the cord. Make sure the cord cannot get caught in any way. Do not wind the cord around the appliance and do not bend it.
23. Place the device on a flat, stable, heat-resistant surface.
24. Unplug the appliance when not in use.
25. It is absolutely necessary to keep this appliance clean at all times as it comes into direct contact with food.
26. Let cool and keep out the accessories before cleaning them
27. The appliance is not intended to be operated by means of external timer or separate remote control system.
28. Keep this manual with the appliance. If the appliance is to be used by a third party, this instruction manual must be supplied with it.
29. Never carry the appliance while still hot.
30. Regarding the instruction for cleaning surfaces in contact with food thanks to refer to the below paragraph “cleaning” in manual.

Instruction manual

31. The temperature of accessible surfaces may be high when the appliance is operating.
32. This appliance is intended to be used in household and similar applications such as:
 - staff kitchen areas in shops, offices and other working environments
 - farm houses
 - by clients in hotels, motels and other residential type environments
 - bed and breakfast type environments

(*) Competent qualified electrician: after sales department of the producer or importer or any person who is qualified, approved and competent to perform this kind of repairs in order to avoid all danger. In any case you should return the appliance to this electrician.

SPECIAL MEASURES



WARNING : HOT SURFACE

The surfaces can be very hot when appliance is operating

DO NOT OPERATE this product near water sources or flammable liquids.

DO NOT CLEAN OR TOUCH this product when it is still hot

DO NOT USE SHARP OBJECTS

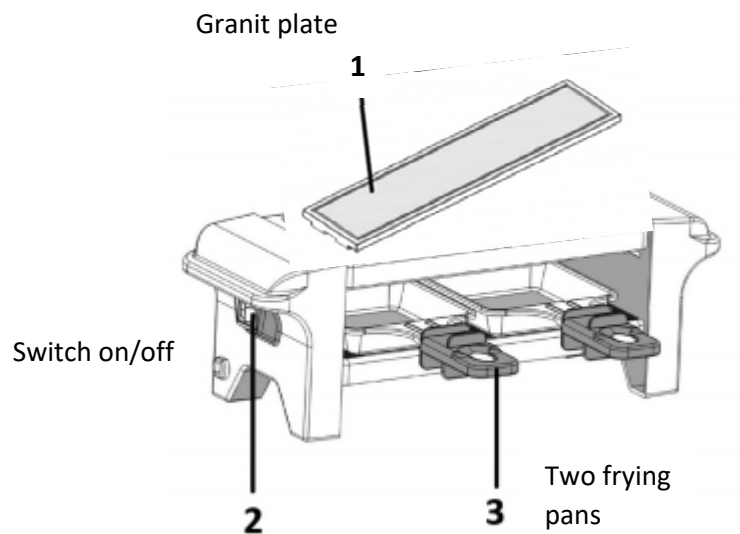
Instruction manual

SPECIFICATIONS

Voltage: **220-240V~50-60Hz**

Power: **350W**

DESCRIPTION



Preparation before use:

- pre-heating the appliance 15 minutes without any food. A small smoke emission is normal; take care that the room is aerated well
- Ensure the controller is in the "OFF" position before plug in.

Place the device on a flat, stable, heat-resistant surface

USING YOUR APPLIANCE

1. Connect the appliance to the power supply. Turn the switch from "OFF" TO "ON" position for working, then pre-heating the appliance for 15 minutes.
2. As the different heat of cooking request, put your food on the pans then place them under the heating sources. Or place your food directly on the cooking plate for the purpose of grilling.
3. After use, turn the switch to "OFF" position and unplug it from the socket. Wait until the appliance is completely cool down before moving or cleaning.

NOTE:

Instruction manual

Don't leave the 2 pans in the appliance if they are empty.

Never cut food on grill plate.

Use a wooden or plastic spatula to touch the food.

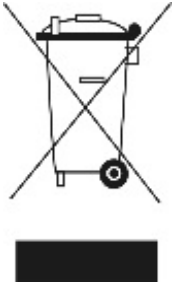
CLEANING AND STORAGE

Caution: do not use wire brush or any abrasive items or liquids.

Be very careful when you use cooking oil, overhead oil could ignite and start fire.

1. Always remove the plug from the socket before cleaning the appliance and ensure that it has cooled down to room temperature.
2. Never immerse the appliance base in water
3. Ensure that the appliance has completely cooled down.
4. Clean the accessories with hot soapy water.
5. Use damp cloth to clean the appliance base.
6. Do not use dishwasher

Instruction manual



Correct disposal of the unit (Electrical and Electronic Equipment)

(Applicable in the European Union and the rest of Europe that have adopted separate collection systems countries)

The European Directive 2012/19/EU on Waste Electrical and Electronic Equipment (WEEE), requires that old household electrical appliances must not be disposed of in the normal household waste stream. Old appliances must be collected separately in order to optimize the recovery and recycling of the materials they contain and reduce the impact on human health and the environment. The symbol of the crossed out dustbin is marked on all products to remind the obligations of separate collection. Consumers should contact their local authority or retailer for information concerning the correct disposal of their product.



Pour en savoir plus :
www.quefairedemesdechets.fr

LIVOO

BP 61071

67452 Mundolsheim-FRANCE

- Non contractual illustration
- Product information is subject to change without prior notice.