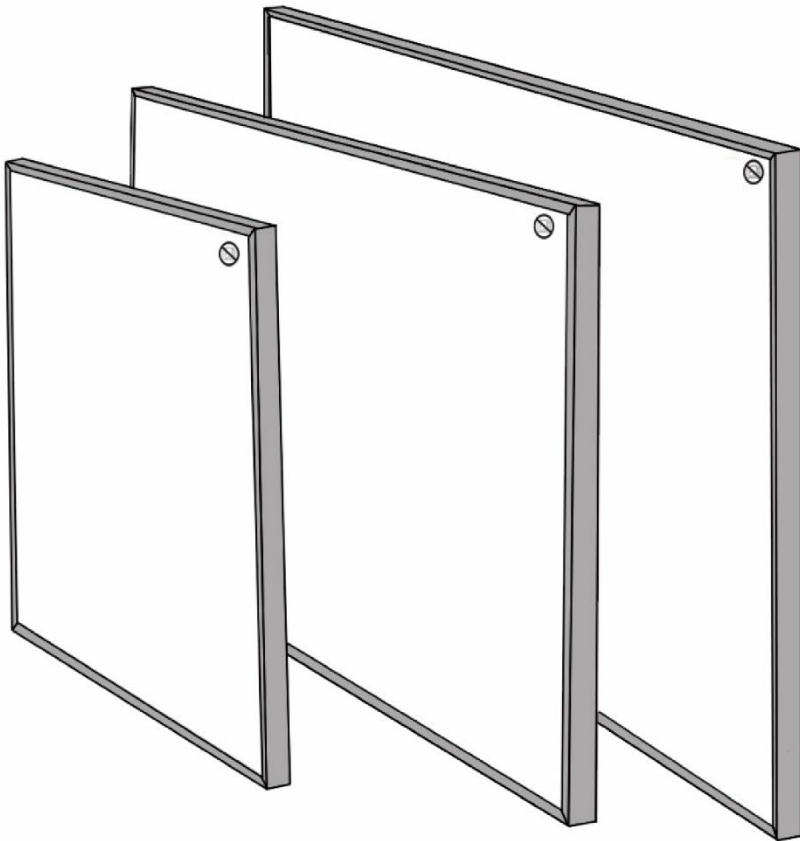


# PANEL HEATER

## Basic- A series

# INSTRUCTION MANUAL



www.dsm.com  
13 100330300

## SYMBOLS



### Warning

This signal word indicates a hazard with an average risk level which, if not avoided, can result in serious injury or death.



### Warning of electrical voltage

This symbol indicates dangers to the life and health of persons due to electrical voltage.

Symbols	Meaning
	This symbol located on the device indicates that it is prohibited to place objects (such as towels, clothes etc.) above or directly in front of the device. In order to avoid overheating and fire hazards, the device must not be covered.
	This symbol located on the device indicates dangers to the life and health of persons due to hot surface.
	This symbol located on the device indicates that it is prohibited to spray the device.
	This symbol located on the device and information marked indicates that operating manual must be observed.

## **CONTENT**

- 1 | WARNING & PRECAUTION
- 2 | FEATURES
- 3 | TECHNICAL INFORMATION
- 4 | SCOPE OF SUPPLY
- 5 | DEVICE STRUCTURE
- 6 | INSTALLATION
- 7 | TROUBLESHOOTING
- 8 | MAINTENANCE & SERVICING
- 9 | STORAGE
- 10 | TECHNICAL ANNEX
- 11 | DISPOSAL

# 1 | WARNING & PRECAUTION

**Read this manual carefully before starting or using the device. Always store the manual in the immediate vicinity of the device or its site of use!**

## **Read all safety warnings and all instructions.**

Failure to follow the warnings and instructions may result in electric shock, fire and / or serious injury. Save all warnings and instructions for future reference.



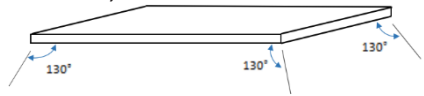
### **Warning**

Do not mount those panels designed for wall only to ceiling!  
Do not mount those panels designed for ceiling only to wall!  
Or else it might cause overheat and burning.



### **Warning**

Sensors with temperature detection, or temperature controller, should not be placed within the radiation range of 130 degrees of the ceiling heating plate, otherwise it will affect the actual temperature detection .



### **Warning**

This appliance can be used by children aged from 8 years and above and persons with reduced physical, sensory, or mental capabilities or lack of experience and knowledge if they have been given supervision or instruction concerning use of the appliance in a safe way and understand the hazards involved.

Children shall not play with the appliance. Cleaning and user maintenance shall not be made by children without supervision.



### **Warning**

Children of less than 3 years should be kept away unless continuously supervised.

Children aged from 3 years and less than 8 years shall only switch on/off the appliance provided that it has been placed or installed in its intended normal operating position and they have been given supervision or instruction concerning use of the appliance in a safe way and understand the hazards involved.

Children aged from 3 years and less than 8 years shall not plug in, regulate and clean the appliance or perform user maintenance.



### **Warning**

Do not use the device in small rooms if persons are present who cannot leave the room independently and who are not under constant supervision.



### **Warning**

Some parts of this product can become very hot and cause burns. Particular attention has to be given where children and vulnerable people are present. Its dangerous of installation close to curtains and other combustible materials. To avoid the possibility of burns, the following people should be much more careful when using the heaters: infants and kids, people with sensitive skin, the old, the sick, people who is drunk, people who takes sleeping pills.

- Remove all the protective films (both on the front and on the back) before using.
- Be sure the input voltage is between 220-240V, 50Hz, and power supply has been strictly in accordance with IEC, left is null wire and right is live wire, and also well grounded.
- The devices will draw more current than small appliances, so a separate 10A socket is required.

- Do not use the device in potentially explosive rooms.
- Do not use the device in aggressive atmosphere.
- Set the device up in an upright and stable position.
- Let the device dry out after a wet clean. Do not operate it when wet.
- Do not use the device with wet or damp hands.
- Do not expose the device to directly squirting water.
- Never insert any objects or limbs into the device.
- Do not cover or transport the device during operation.
- Do not sit on the device.
- This appliance is not a toy! Keep away from children and animals. Do not leave the device unattended during operation.
- Check accessories and connection parts for possible damage prior to every use of the device. Do not use any defective devices or device parts.
- Ensure that all electric cables outside of the device are protected from damage (e.g. caused by animals). Never use the device if electric cables or the power connections are damaged!
- The electrical connection must correspond to the specifications in chapter Technical data.
- Insert the mains plug into a properly secured mains socket.
- Do not use the device when the socket or wire overloaded.
- Observe the device's power input, cable length and intended use when selecting extensions to the power cable. Completely unroll extension cables. Avoid electrical overload.
- Before carrying out maintenance, care, or repair work on the device, remove the mains plug from the mains socket. Hold onto the mains plug while doing so.
- Switch the device off and disconnect the power cable from the mains socket when the device is not in use.
- Do not under any circumstances use the device if you detect damages on the mains plug or power cable. If the supply cord is damaged, it must be replaced

by the manufacturer, its service agent, or similarly qualified persons in order to avoid a hazard. Defective power cables pose a serious health risk.

- During the installation of the device observe the minimum distances from walls and other objects as well as the storage and operating conditions specified in the technical data chapter.
- Never drill into the heating device.
- Do not use the device in immediate proximity to curtains.
- Do not place the device on combustible ground.
- Do not transport the device during operation.
- Do not touch the surface during the device working to avoid burns.
- Allow the device to cool down before transport and / or maintenance work.
- Do not use this device near bathtubs, shower trays, swimming pools or other water containers. Risk of electric shock!
- The device must be placed where the switches and controllers cannot be touched by a person in a bathtub or shower.
- Do not use this device in a child-care centre and bathroom. (Only for Sweden)

## 2 | FEATURES

- The device is designed to provide an efficient, comfortable and healthy heating system for any domestic users.
- These devices can reduce air circulation and help to maintain a clean, silent, dust free environment.
- A wide range of devices available in a huge choice of colors, sizes and styles.

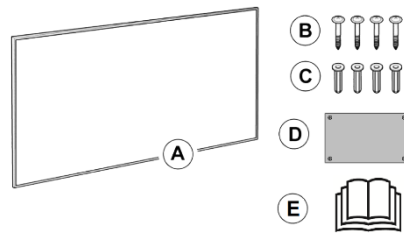
## 3 | TECHNICAL INFORMATION

Heating element	Carbon
Heating way	Far infrared heating
Input Voltage	220-240V/50Hz

Surface temperature	Wall mount: Mainly 75-95°C Ceiling mount: Mainly 80-100°C
Frame	Aluminum
IP grade	IP54 (exclude plug)
Over heating protection	Yes
Power cord length	1.9m

## 4 | SCOPE OF SUPPLY

- 1 x heating device
- 4 x Screws
- 4 x Dowel
- 1 x Drilling template
- 1 x Manual

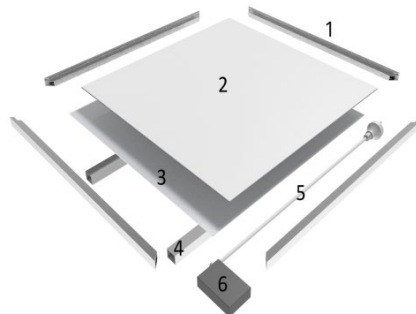


**These kits can be used for wall mounting only, special kits shall be used for ceiling mounting, please consult the supplier before installation.**

## 5 | DEVICE STRUCTURE

### Designation

- 1 Frame
- 2 Heating element
- 3 rear metal sheet
- 4 Wall attachment
- 5 Power cord
- 6 Junction box





## 6 | INSTALLATION

**Make sure remove all the protective films(both on the front and back)!**

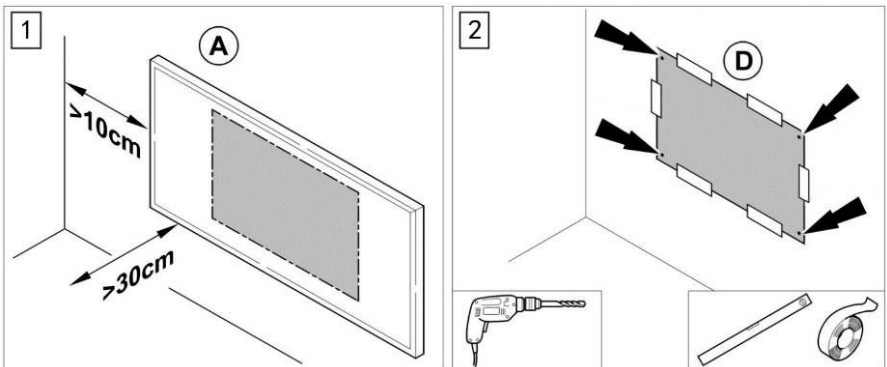
### Instruction for Wall Mounting

**IMPORTANT: this way is for wall mounting only!**

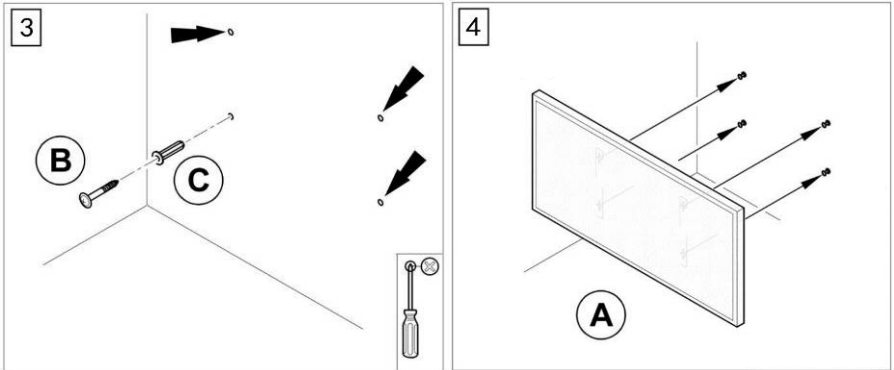
1. Choose the mounting position, keep the required minimum distances.

Distances required for device mounting	
front	Minimum 30cm
left	Minimum 10cm
right	Minimum 10cm
top	Minimum 50cm

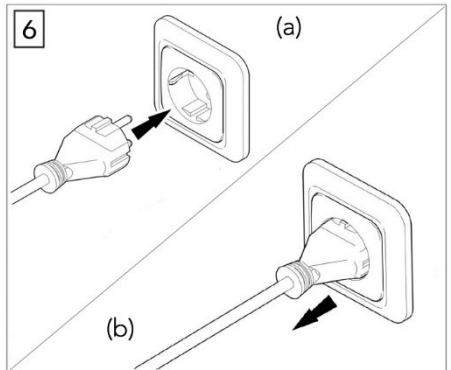
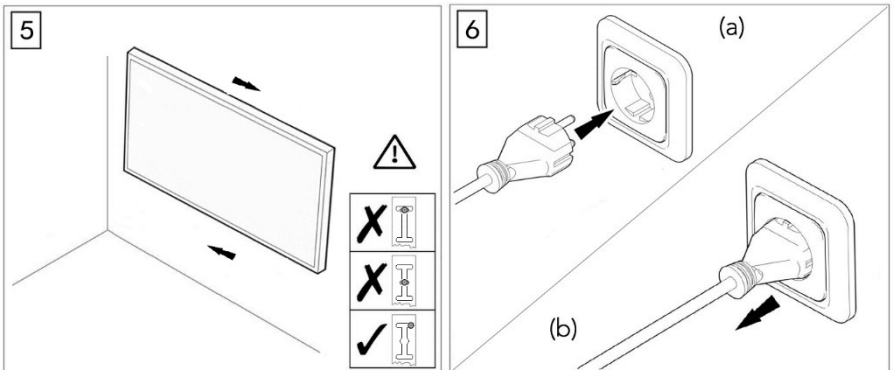
2. Mark the positions for the bore holes onto the drilling template (D) if there are no existing marks. Stick the drilling template on the wall. Drill the holes with an 8mm rotary bit.



3. Insert the screws into the dowels and fasten the screws. The screws should protrude approx.0.5 cm from the dowels.
4. Hang the infrared heating device (A) in.

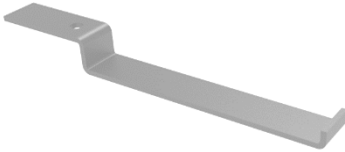


5. Slid the device to make the screws into the correct positions as showing in below drawing.
6. Plug in to start using the heating device.  
Do pull out the plug when not in use.



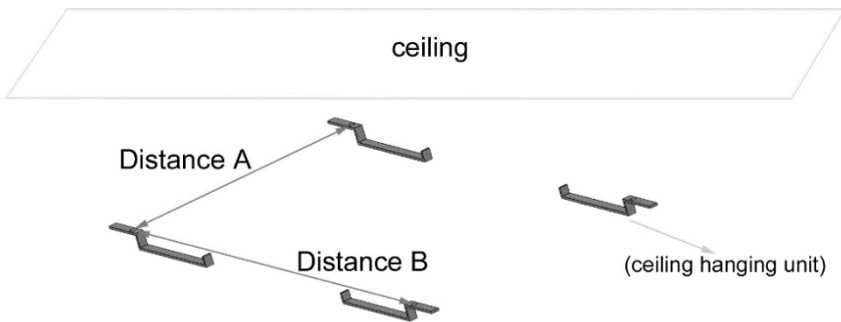
## Instruction for Ceiling Mounting Way A:

Only if below ceiling mounting sets included.



X 4 SETS

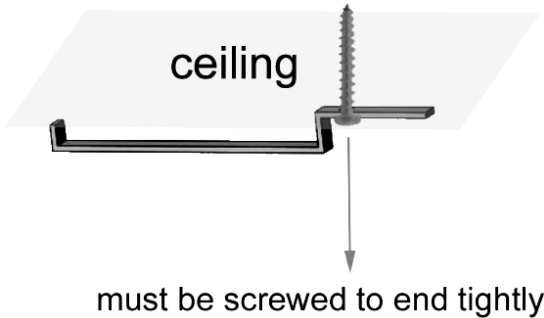
1. Drill four holes on the ceiling with correct distance A and distance B.



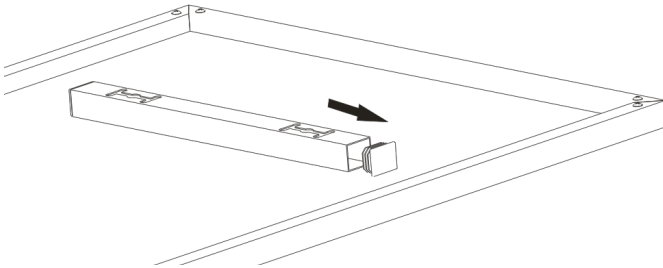
Panel Size/mm	Hole Distances of Screws/mm
605*505 (or similar)	A310*B374mm
605*605 (or similar)	A310*B474mm
705*605 (or similar)	A360*B474mm
805*605 (or similar)	A480*B474mm
905*605 (or similar)	A480*B474mm
1005*605 (or similar)	A480*B474mm
1205*605 (or similar)	A660*B474mm
1205*755 (or similar)	A660*B624mm
1205*805 (or similar)	A660*B624mm

1205*905 (or similar)	A660*B704mm
1205*1005 (or similar)	A660*B704mm

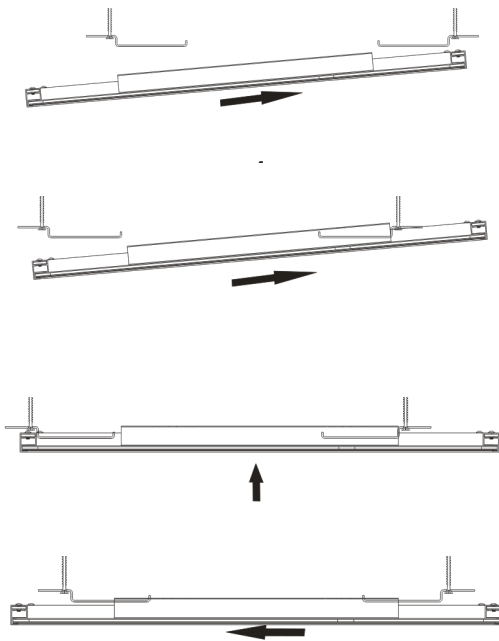
2. Mount the four hanging units onto ceiling with screws, and turn the screws to the end tightly, this is very important.



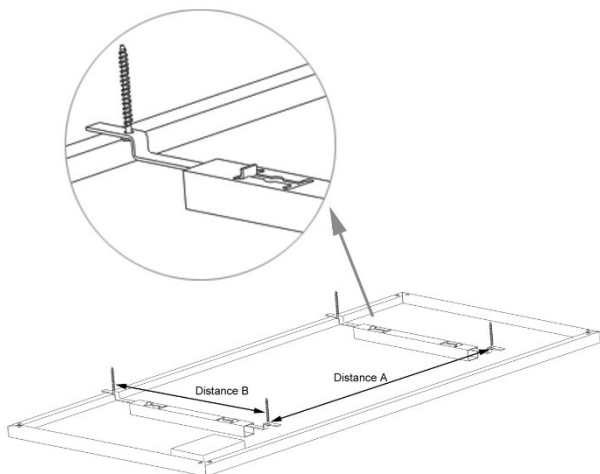
3. Take off all the four plastic caps from rear of the panel



4. Slide the panel to make ceiling hanging units into one side of the panel rear first, then push the whole panel close to ceiling and slid the panel back, to make the other two hanging units into the other side of the panel.



(View after mounting finished)



## **Instruction for Ceiling Mounting Way B:**

Only if below ceiling mounting wire sets included.



A



I



B



C



D



E



F



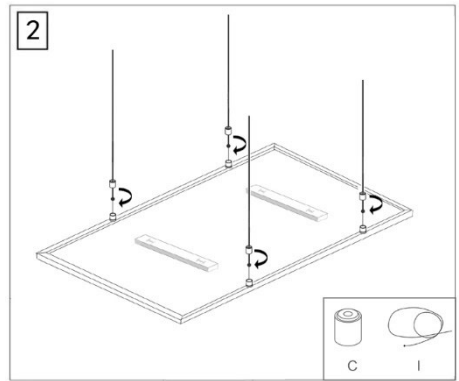
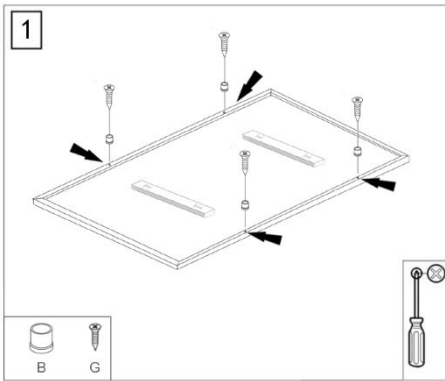
G



H

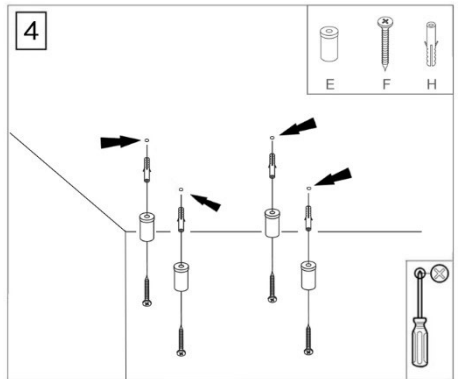
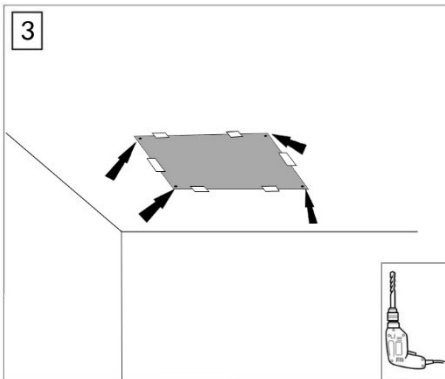
1. Drill four 2mm diameter holes on the rear of the panel frames if there are no such small holes exists. Insert short screws G into B and screw them into the frame holes.

2. Tighten wires I to B by screwing C.



3. Drill four 6mm holes on the ceiling, and fix the plastic expansion tubes H on the ceiling

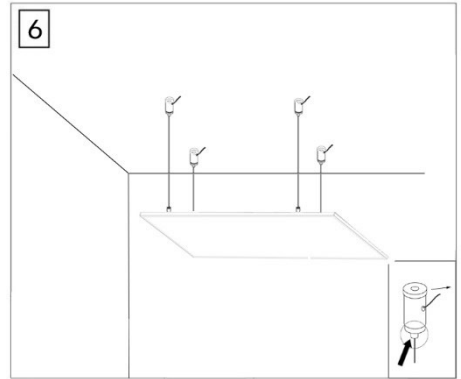
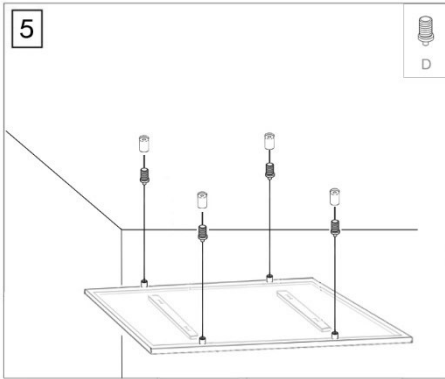
4. Insert the long screws F into the expansion tubes H through the top lock metal head E, then tighten up the screws into the tubes.



5. Screw D which is at the other end of the wire into E tight.

6. Press the automatic locking extractor to adjust the desired length of the steel wire.

Release the locking extractor, then it will lock the wire automatically.



## 7 | TROUBLESHOOTING

Problem	Reason	Measure
It has noise when original charged with electricity	Due to the structure stress of the heat insulator.	It is a normal phenomenon. Don't worry about it.
The surface of the device was slightly raised.	Due to the thermal expansion of the surface material.	It is a normal phenomenon. Don't worry about it.
The surface of the heating device is slightly warm.	1. The voltage is low. 2. In a low-temperature environment.	1. Install a voltage regulator. 2. It is normal.

## 8 | MAINTENANCE & SERVICING

Activities required before starting maintenance



Warning of electrical voltage



Do not touch the mains plug with wet or damp hands.

- Hold onto the mains plug while pulling the power cable out of the mains socket.
- Allow the device to cool down completely.



### **Warning of electrical voltage**

Tasks which require the housing to be opened must only be carried out by authorized specialist companies.

### **Cleaning the device**



### **Warning of electrical voltage**

Never immerse the device in water!

Clean the device with a soft, damp and lint-free cloth. Ensure that no moisture enters the housing. Protect electrical components from moisture. Do not use any aggressive cleaning agents such as cleaning sprays, solvents, alcohol-based or abrasive cleaners to dampen the cloth.

Wipe the housing dry after cleaning

## **9 | STORAGE**

When the device is not being used, observe the following storage conditions:

- dry and protected from frost and heat
- in an upright position where it is protected from dust and direct sunlight
- with a cover to protect it from invasive dust, if necessary
- Place no further devices or objects on top of the device to prevent it from being damaged.

## **10 | TECHNICAL ANNEX**

Model NO.	Size(cm)	Power (W)	Voltage Frequenc	Rated Current	Mount way
IGT-A0605P	60.5*50.5*2.2	300	230V /50Hz	1.3A	Wall only
IGT2-A0606P	60.5*60.5*2.2	350		1.5A	Wall only
IGT2-A0706P	70.5*60.5*2.2	450		2.0A	Wall only
IGT2-A0906P	90.5*60.5*2.2	580		2.5A	Wall only
IGT2-A1006P	100.5*60.5*2.2	580		2.5A	Wall only
IGT2-A1206P	120.5*60.5*2.2	700		3.0A	Wall only
IGT2-A1207P	120.5*75.5*2.2	900		3.9A	Wall only
IGT2-A1209P	120.5*90.5*2.2	1100		4.8A	Wall only

Information requirements for electrical local space heaters

Item	Unit
<b>Type of heat input, for electric storage local space heaters only (select one)</b>	
manual heat charge control, with integrated thermostat	N/A
manual heat charge control with room and/or outdoor	N/A
electronic heat charge control with room and/or outdoor	N/A
fan assisted heat output	N/A
<b>Type of heat output/room temperature control (select one)</b>	
single stage heat output and no room temperature control	[no]
Two or more manual stages, no room temperature control	[no]
with mechanic thermostat room temperature control	[no]
with electronic room temperature control	[no]
electronic room temperature control plus day timer	[no]
electronic room temperature control plus week timer	[yes]
<b>Other control options (multiple selections possible)</b>	
room temperature control, with presence detection	[no]

room temperature control, with open window detection	[no]
with distance control option	[no]
with adaptive start control	[yes]
with working time limitation	[no]
with black bulb sensor	[no]

## 11 | DISPOSAL



The icon with the crossed-out waste bin on waste electrical or electronic equipment stipulates that this equipment must not be disposed of with the household waste at the end of its life. You will find collection points for free return of waste electrical and electronic equipment in your vicinity. The addresses can be obtained from your municipality or local administration.

The separate collection of waste electrical and electronic equipment aims to enable the re-use, recycling and other forms of recovery of waste equipment as well as to prevent negative effects for the environment and human health caused by the disposal of hazardous substances potentially contained in the equipment.