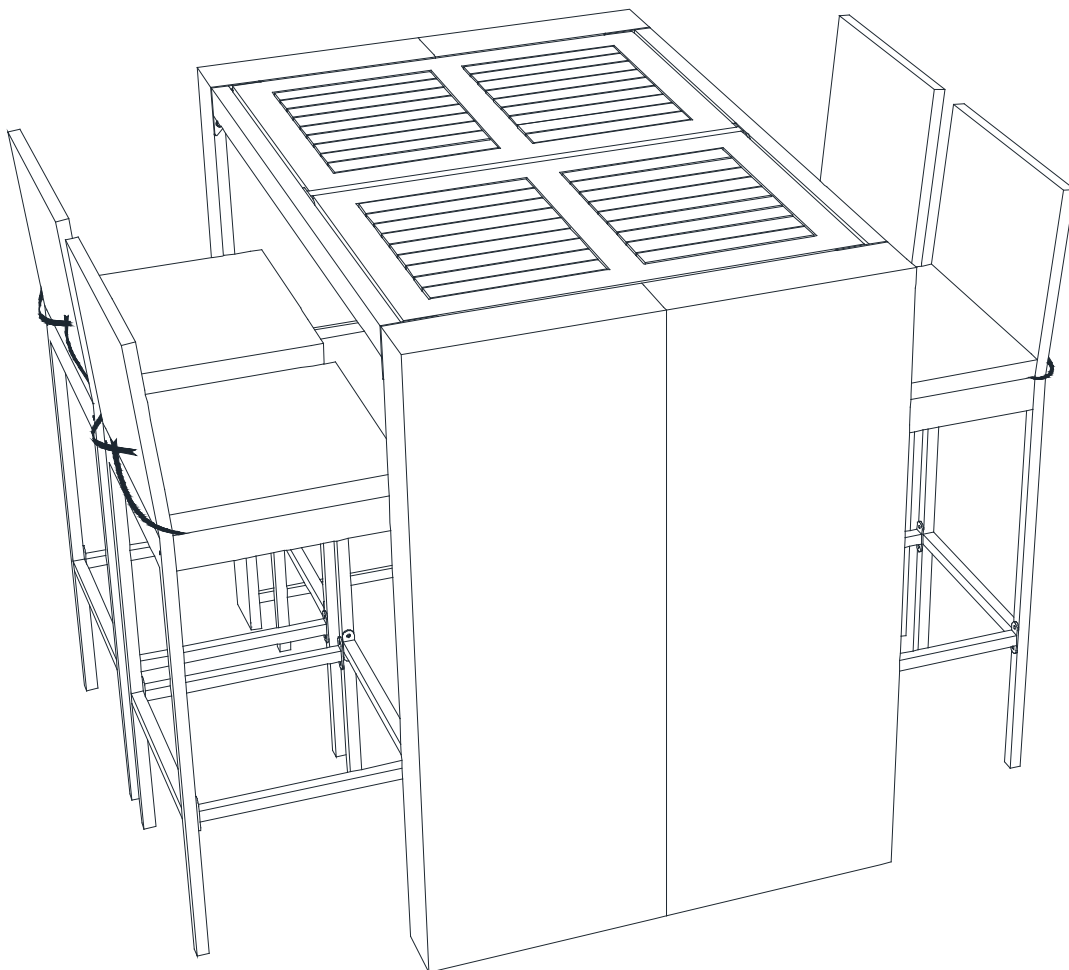
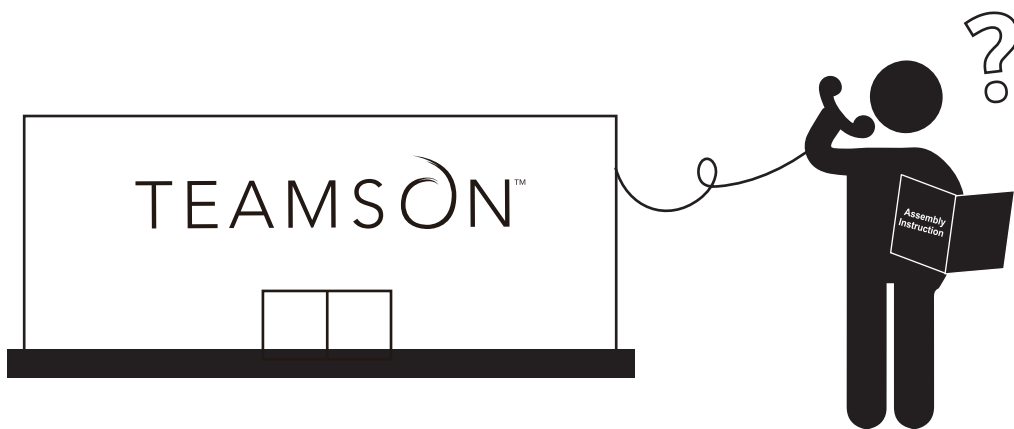
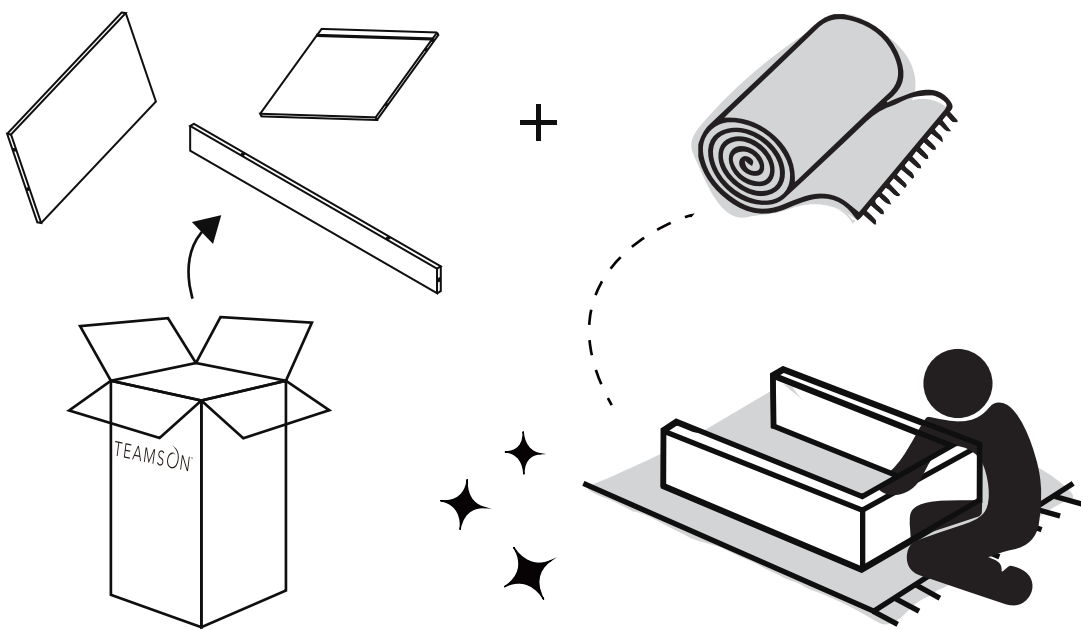
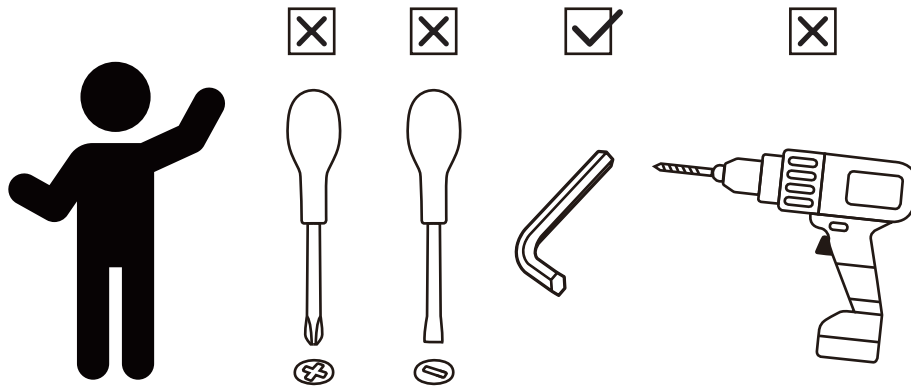


Peaktop
5 Pcs Bar Height Dining Set
Acacia wood table top
PT-OF0026-P1

TIME SAVER!
3D Interactive Instruction





** Got questions? Please have your product code (on the first page of this instruction, e.g. TD-12345A) and the order number ready, give us a call or email us through our customer care support! We are always ready to assist you!

TEAMSON HOME



Warranty sign up

www.teamsonhome.com

Serving you well gives us great joy!

USA +1(800)935-3959

Mon - Fri 10:00am ~ 2:00pm EST

✉ support@teamson.com

EU/UK . . . +44(0)1952-916-050

Mon - Thu 9:00am ~ 5:00pm GMT

Friday 9:00am ~ 4:00pm GMT

✉ support@teamson.co.uk

ASIA 深圳☒公室:

+86(0755)8885-3558.分机号108

Mon - Sat 9:00am ~ 5:00pm GMT+8

✉ sales_ec@teamson.com

台北辦公室:

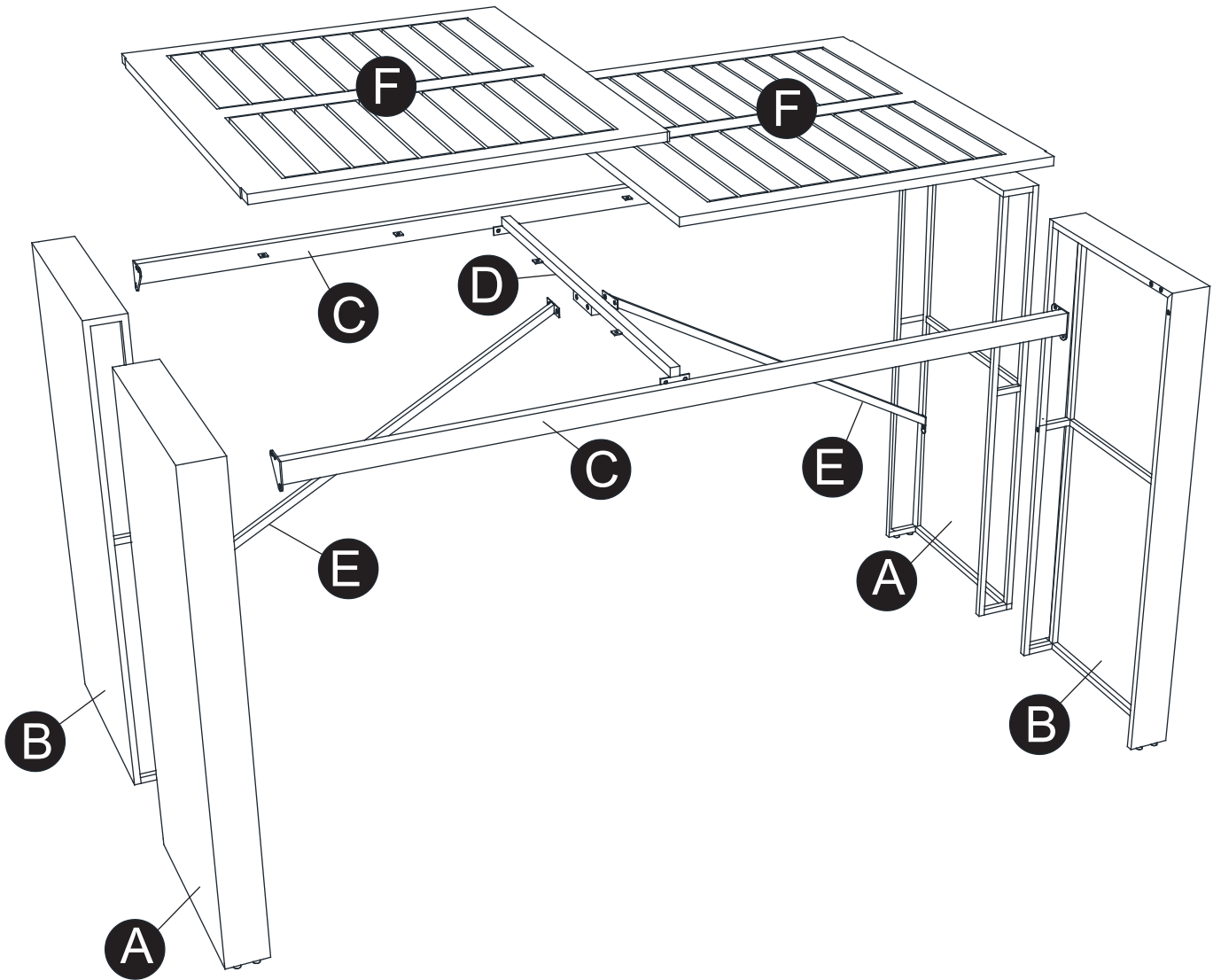
+886(2)2556-6268

Mon - Fri 9:00am ~ 5:00pm GMT+8

✉ sales_ec@teamson.com

Thank you for choosing Teamson Home

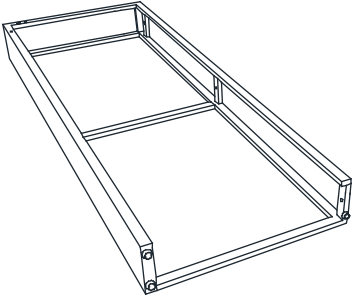
Exploded Drawing



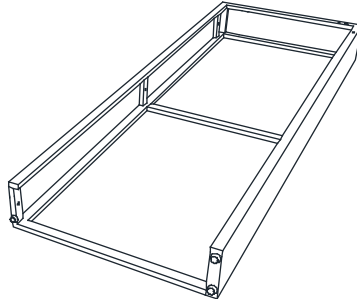
← **Questions?**
Scan Here

Product Parts

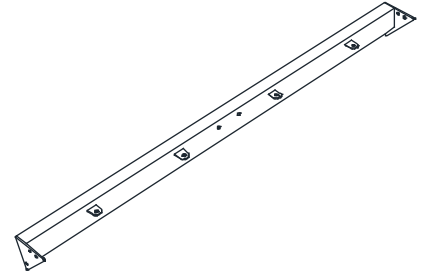
A



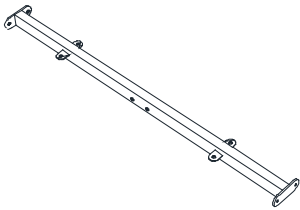
B



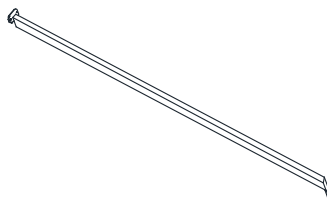
C



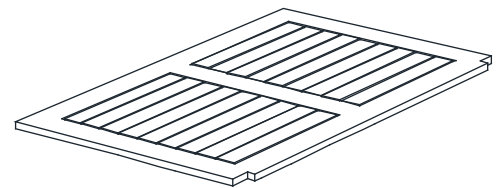
D



E



F



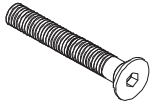
Questions?
Scan Here

▲ WARNING:

1. Do not let any sharp objects touch or rub the surface of the product.
2. When assembling, do not let children play around the working area.
3. Please confirm all parts are correct before starting the assembly process.
4. Do not tighten all bolts and screws completely until the entire unit has been assembled and set up.

Hardware

1



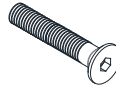
M6*35
8 pcs

2



M6*15
4 pcs

3



M6*20
14 pcs

4



M6
10 pcs

5



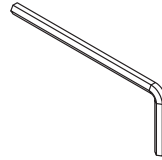
M6
2 pcs

6



M4*15
12 pcs

7



8

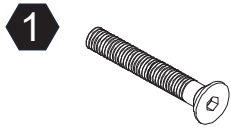


9



Questions?
Scan Here

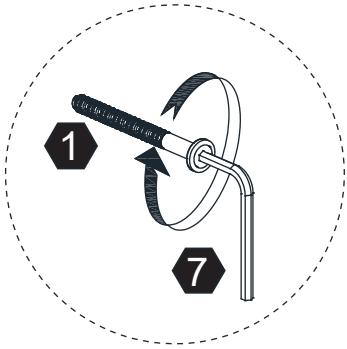
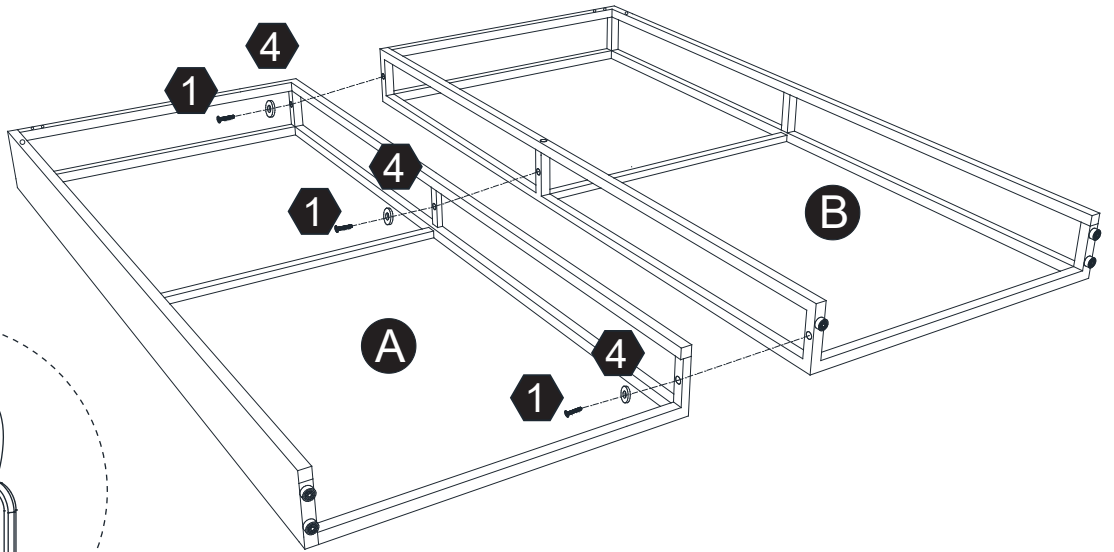
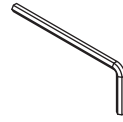
Step 1



6 pcs

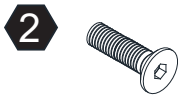


6 pcs

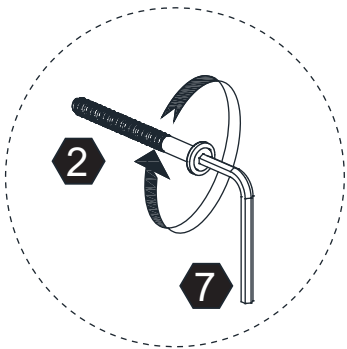
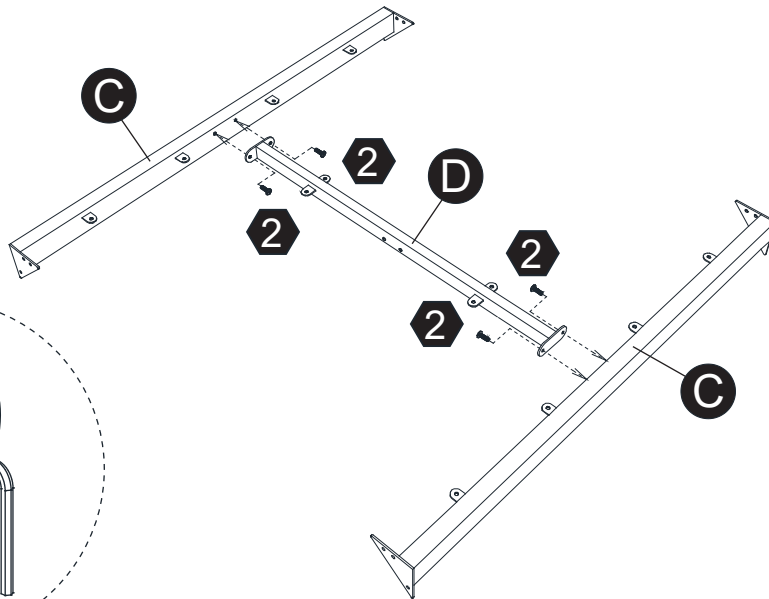
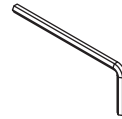


X2

Step 2



4 pcs

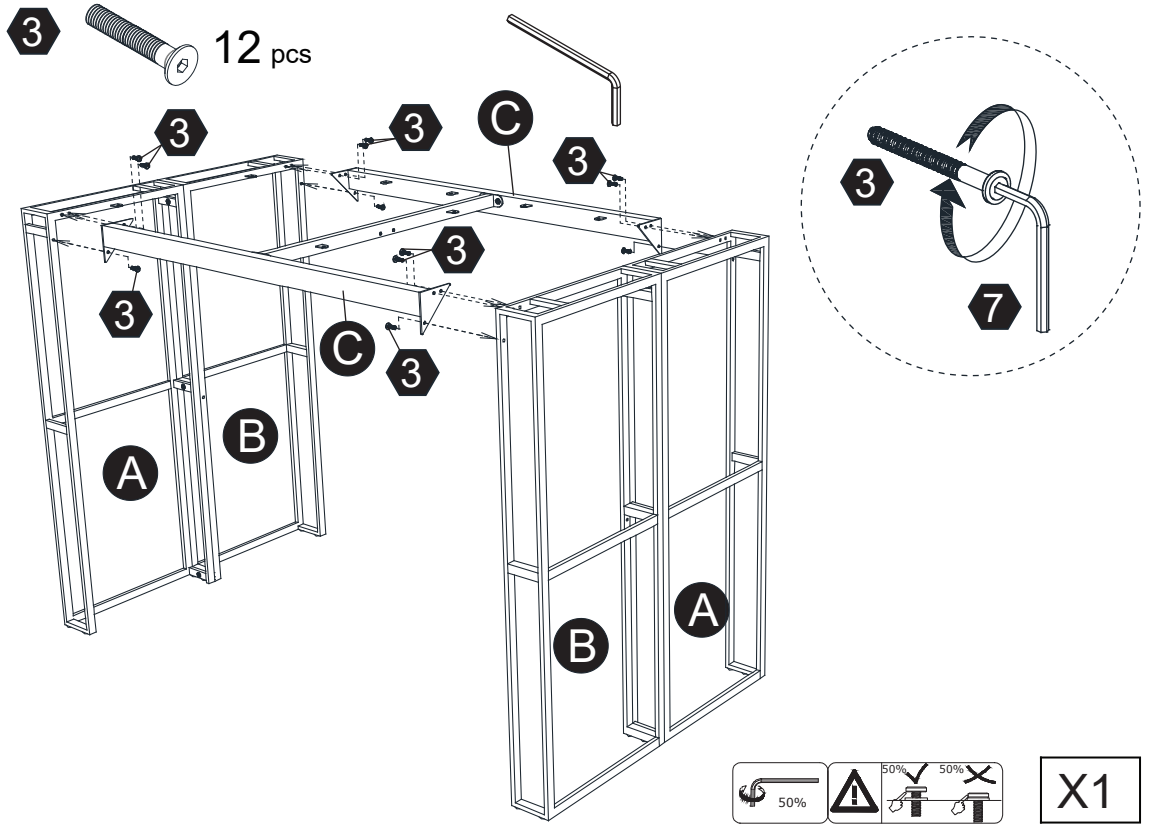


X1

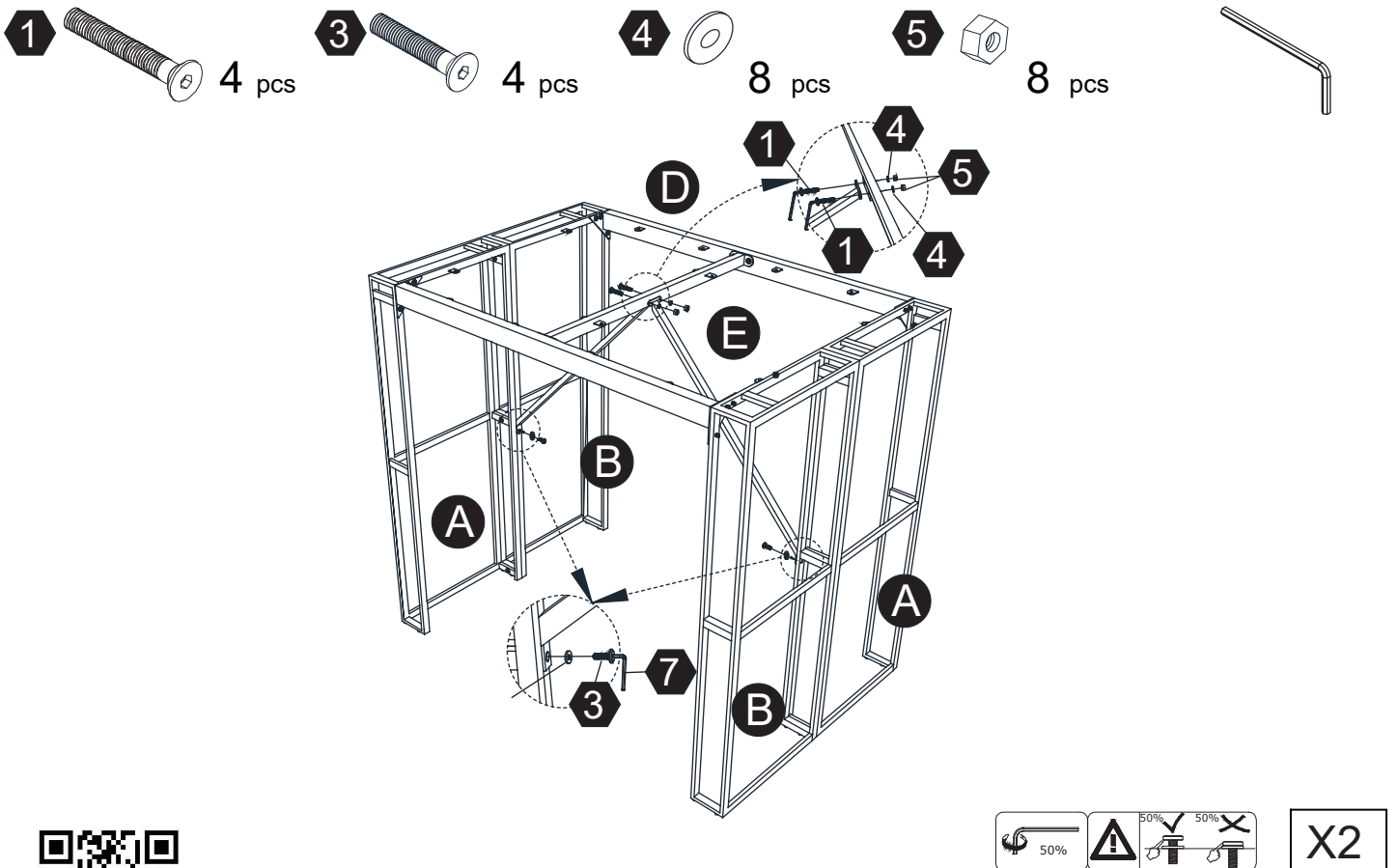


← **Questions?**
Scan Here

Step 3

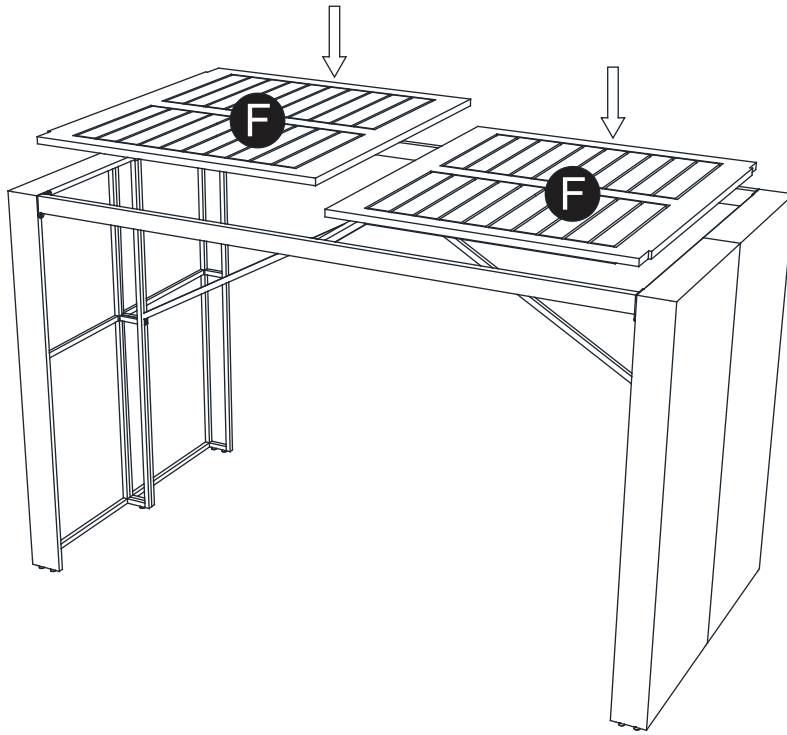


Step 4



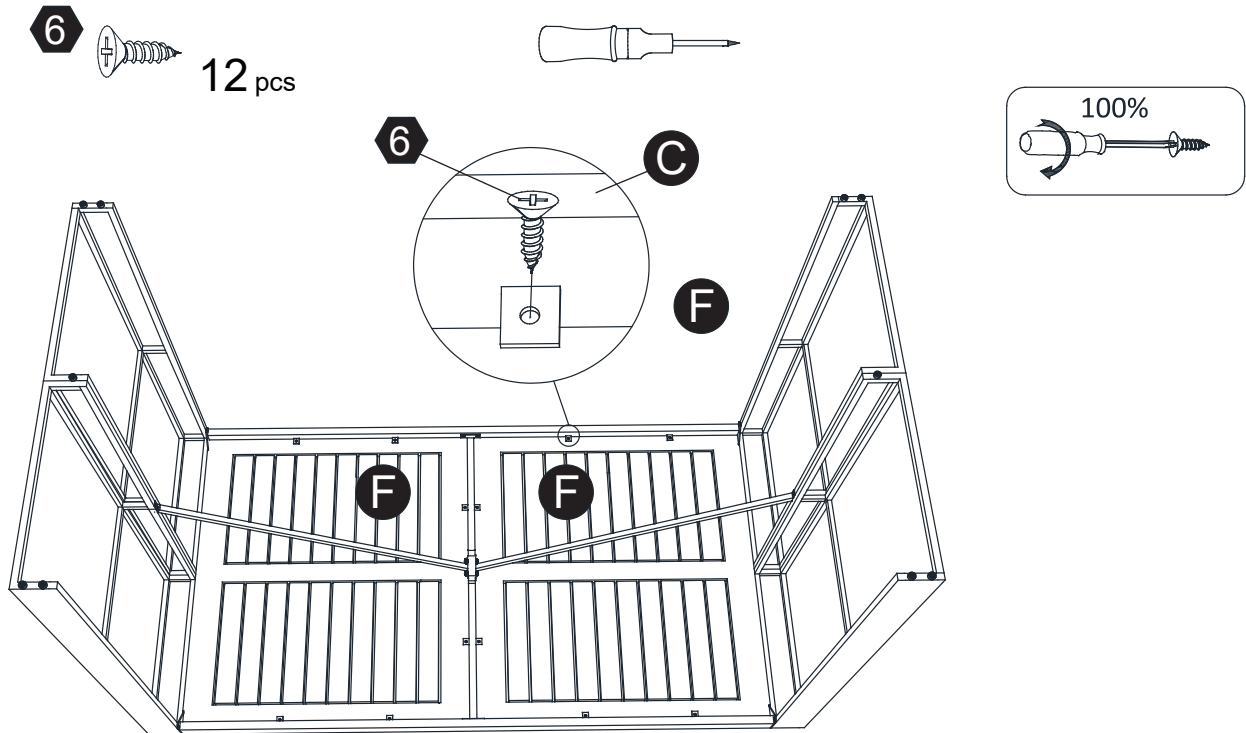
← **Questions?**
Scan Here

Step 5



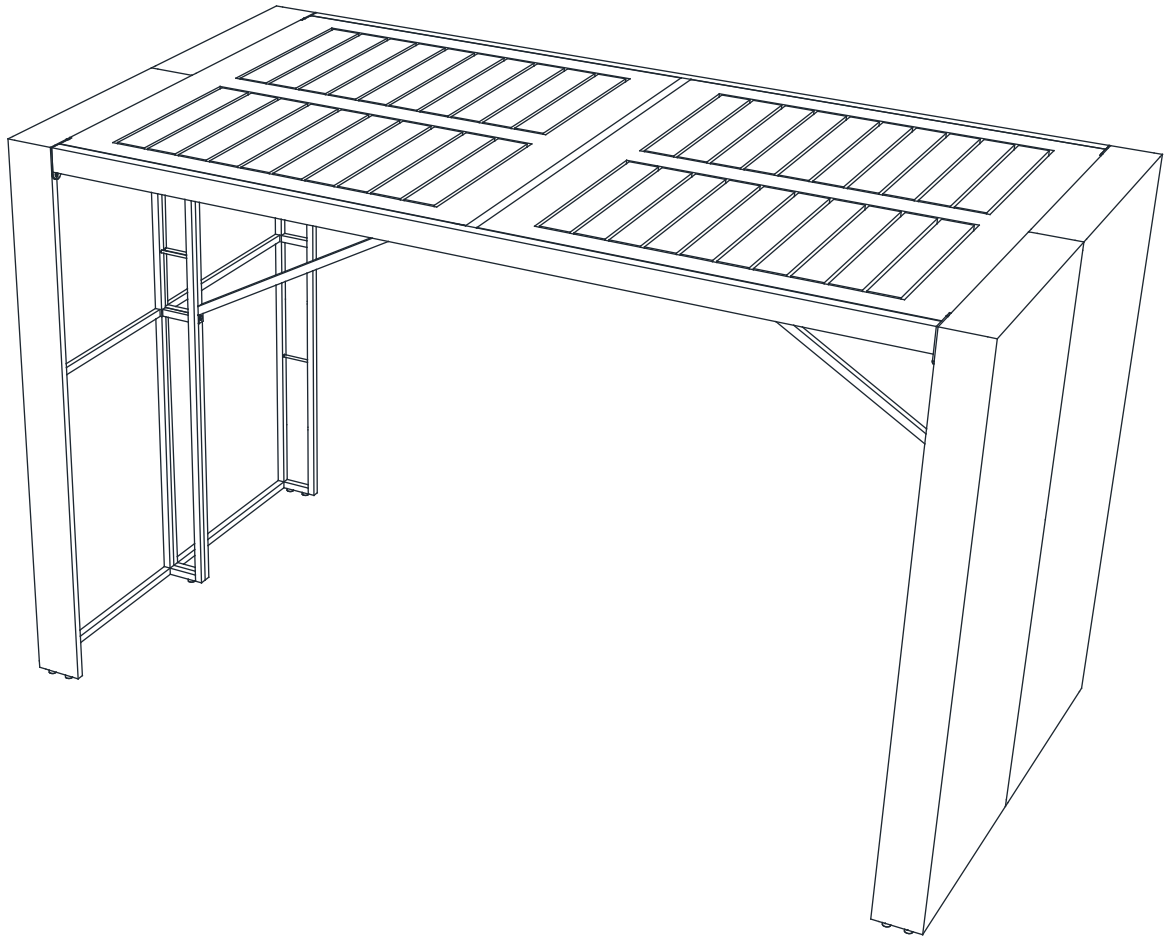
X1

Step 6



← **Questions?**
Scan Here

Step 7



← **Questions?**
Scan Here