

**Follow the safety and assembly instructions carefully, and keep this manual in a safe place:**

1. Read this manual carefully. If in doubt, consult the store.
2. Based on health and safety rules, you must not convert (CE), or make any changes to the light yourself. Should you ignore this the guarantee will be null and void.
3. Do not expose the product to extreme heat, extreme pressure, or other inappropriate use. Should you ignore this again the guarantee will be null and void.
4. This product is not a toy, and is not to be used as such by children.

**For installation instructions, see inner pages of this leaflet**

**Luxform Global BV**

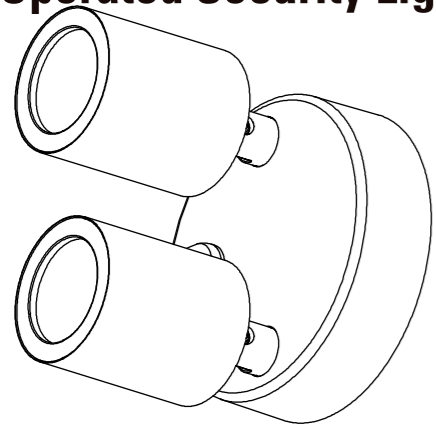
Since 1987, Luxform Global BV has been one of Europe's premier designers and suppliers of outdoor lighting. We strive to provide our customers with quality designs that both compliment and enhance their outside areas and gardens. Our solar lights create an instant effect because Luxform Solar Lights come ready charged for immediate use. Luxform have created a range of designs to meet the needs required by outside areas and gardens. Elegant path marker lights highlight borders and path edges. Decorative LED lights sparkle on pagodas, arches, trees and fences. Novelty lights add fun and surprise Luxform solar lights will illuminate your outdoor areas and garden with beautifully designed lights, making it safer, and allow you to create an outdoor room in your garden so you can enjoy it in both summer and winter.



M19		Imported by QVC : Building 8, Chiswick Park 566 Chiswick High Road. London, W4 5XU
02807164		

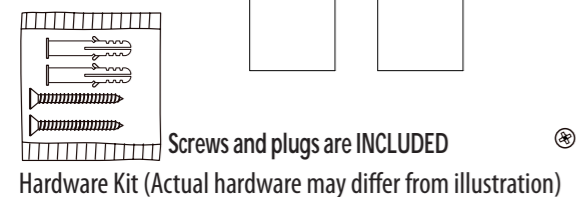
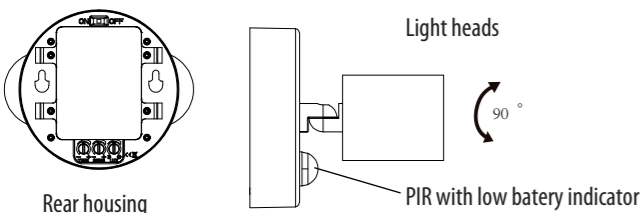
**Security Duo Spot Wall light**

# LED Motion Activated Battery Operated Security Light



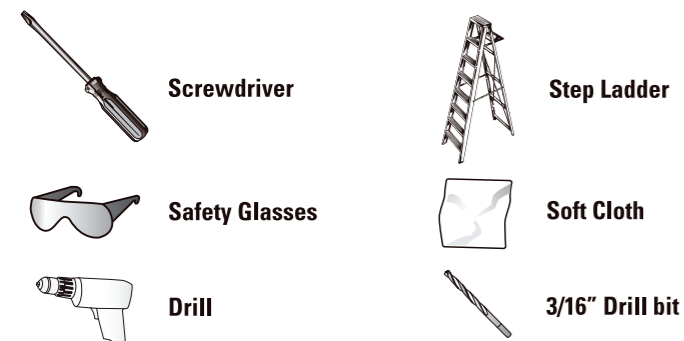
## To Begin

**WARNING:** Review important safety instructions before installation. Check to make sure you have the following:



## Items Required

Installation Time: 45 Minutes.



## Preparation

**WARNING:** LEDs can be damaged by electro static discharge (ESD) shock. Before installation, discharge yourself by touching a grounded bare metal surface to remove this hazard. To avoid damage, do not remove the clear lens over the LED module.

### IMPORTANT SAFETY INSTRUCTIONS

1. Do NOT touch LEDs.
2. Do NOT remove the protective clear LED lens.
3. Do NOT look directly at lighted LEDs for any length of time.
4. Electrical requirements: 4.5V DC.
5. Fixture can only be wall mounted. NOT suitable for ground mount or eave mount installations.

Select the installation location carefully. Do not install in areas having pedestrian or motorized traffic, pools or bodies of water, or trees/bushes that move in the wind. All of these may trigger the motion sensor security light and may be disruptive to the intended operation of the light.

## Fixture Installation

1. For mounting to concrete or masonry, install the anchors, by drilling two 3/16-in. pilot holes into the mounting surface. Insert the anchors into the holes and tap them into place so they are flush with the surface (Fig.1). Distance from screw centre to screw centre is 9cm. Secure the rear housing cover to the mounting surface with wood screws (Fig.2).
2. Remove the 4 screws on the battery compartment cover (Fig.3). With your fingertip, pull up on the battery compartment catch and pull outward to remove the battery compartment cover (Fig.4).
3. Insert 3 alkaline C cell batteries (included) into the battery compartment and orient them with the "+" and "-" markings on the back of the battery compartment (Fig.5). Re-attach the battery compartment cover by aligning the legs on the lower edge of the battery compartment cover onto the fixture body and close the cover until the catch at the top engages. Replace the 4 screws. Do NOT mix old and new batteries. Cold weather may have a negative impact on battery life.
4. Move the switch to ON (Fig.6).
5. Hang the light on the mounted screws in the mounting surface and make sure that the heads of the screws are in the cut outs of the lights backside (Fig.7).

## Operating Instructions

1. The individual light heads can be adjusted side to side and up/down independently to aim the light heads in the direction desired (Fig.1).
2. Inside the motion sensor is a low battery indicator. When the batteries are almost empty the ball of the motion sensor will light up in red (Fig.2). The motion sensor has a detection field of 90° at a distance of 8 meter.
3. To control knobs for adjusting the operation of the security light (TIME, SENS, LUX) are located on the back side of the light (Fig.3).
4. The TIME control knob can be adjusted to control the length of time the light stays ON when triggered by the PIR sensor (Fig.4). In the far left position (-), the duration time is approximately 10 seconds. In the far right position (+) sets the PIR range to approximately 30 seconds.
5. The SENS control knob can be adjusted to control the range of the PIR sensor (Fig.5). The far left position (-) range to approximately 0,5 meters. The far right (+) sets the PIR range to approximately 8 meters.
6. The LUX control knob can be adjusted for the surrounding level of darkness needed to activate the PIR (Fig.6). This is quite variable. The far left position (-) sets for the minimum of darkness. The far right position (+) sets for a maximum level of darkness (or near full darkness).

## Battery Replacement

When the red LED low battery indicator inside the PIR (see front page for situation) is on permanently, the batteries are running low (5%) and need to be replaced. Alkaline batteries can last up to 300 days if the security light is activated for 20 seconds at 4 times per night.

1. Remove the light by lifting the light from the mounting screws (Fig.1).
2. Remove the 4 screws on the battery compartment cover (Fig.2). With your fingertip, pull up on the battery compartment catch and pull outward to remove the battery compartment cover (Fig.3).
3. Insert 3 new alkaline C batteries into the battery compartment according to the "+" and "-" markings near the battery drawings (Fig.4). Re-attach the battery compartment cover by aligning the legs of the lower edge of the battery compartment cover onto the fixture body and close the cover until the catch at the top engages. Replace the 4 screws. Do NOT mix old and new batteries. Cold weather may have a negative impact on battery life.
4. Hang the light on the mounted screws in the mounting surface and make sure that the heads of the screws are in the cut outs of the lights backside (Fig.5).

## Care and Maintenance

**IMPORTANT:** Periodically clean the fixture and diffuser using a mild, non-abrasive cleaner and soft cloth. When cleaning the fixture, make sure the power is turned off. Do not spray cleaner directly onto any part of the fixture or LEDs.

**IMPORTANT:** This fixture uses LEDs (light emitting diodes) to provide light. LEDs do not burn out like traditional light bulbs and will last for 30 years or more (based on 3 hours of usage per day).

## Troubleshooting Guide

Extreme hot or cold weather could affect the performance of the built-in sensors that detect body heat. Certain winter clothing can shield a person's body heat from the sensor during extreme cold weather. During extreme hot weather, the sensor may not be able to distinguish the difference between normal body temperatures and the surrounding high temperatures. The sensor will begin working normally once weather conditions return to normal.

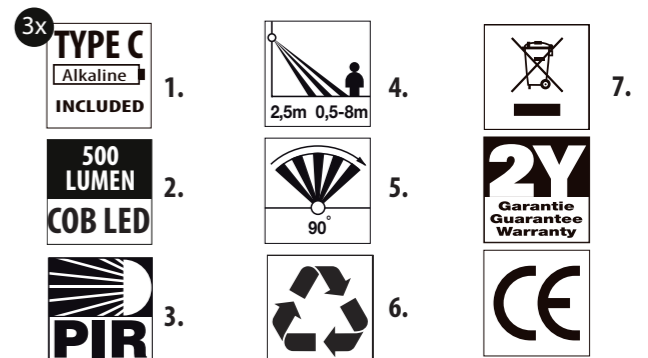
Problem	Cause	Solution
Fixture does not light.	1. ON/OFF switch is not set correctly.	1. Slide ON/OFF switch to ON position.
	2. Batteries are defective.	2. Replace the batteries.
	3. Batteries are installed wrong.	3. Install the batteries correctly.
	4. Battery compartment cover is loose.	4. Check battery compartment cover and/or screw.
Light flickers on and off.	1. Photo sensor is picking up extraneous light.	1. Remove batteries to reset photo sensor settings.
Fixture stays on all night.	1. Heat source/reflective body in detection area.	1. Remove heat source/reflective body from detection zone or move fixture.
Motion sensor activates at random or for no reason.	1. Momentary heat source or reflective body.	1. Turn sensor detection field away from source.
	2. Minor sensor problem.	2. Remove batteries to reset sensor.
Motion sensor does not activate at all.	1. Batteries are depleted.	1. Check or replace batteries.
	2. ON/OFF switch is set to OFF.	2. Slide switch to ON position.
Detection range varies from day to day.	1. Changes in meteorological conditions.	1. Adjust the position of the sensor.

## Need Help?

If you have questions regarding installation [info@luxformglobal.com](mailto:info@luxformglobal.com)

### Technical specifications and guiding lines per model.

- Take notice of all technical specifications for your product at all times.
- Below is an explanation of the pictorial signs.



1. This model contains 3x Alkaline batteries of the type C = LR14, 14A.
2. This model contains 2x 500 LUMEN COB-LED.
3. This model is provided with a motion sensor.
4. In order for the product to function properly and at it's best, place at the height of 2,5 mtr. The detector detects between 0,5-8 mtr.
5. The standard active field of view of the detector has a range of 90°.
6. Please recycle packaging.
7. Please remove in correct way.