



KateHaa Wooden Toys | Learn, Play and Explore


EXPLORER ACTIVITY CUBE

ASSEMBLING INSTRUCTION

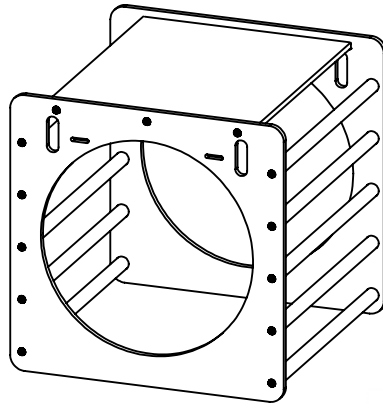


FOLLOW US ON:

 katehaa.toys

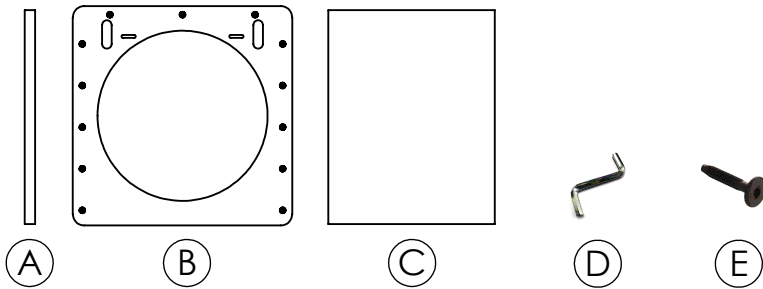
 katehaa.toys

Made in Latvia
SIA KateHaa
Annas iela 18, Ikskile, Ogres nov., LV-5052
Phone: +371 26330044
Email: info@katehaa.com
WEB: www.katehaa.com



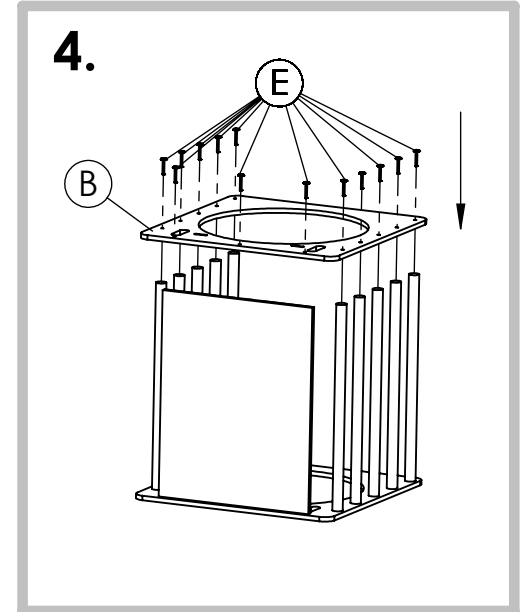
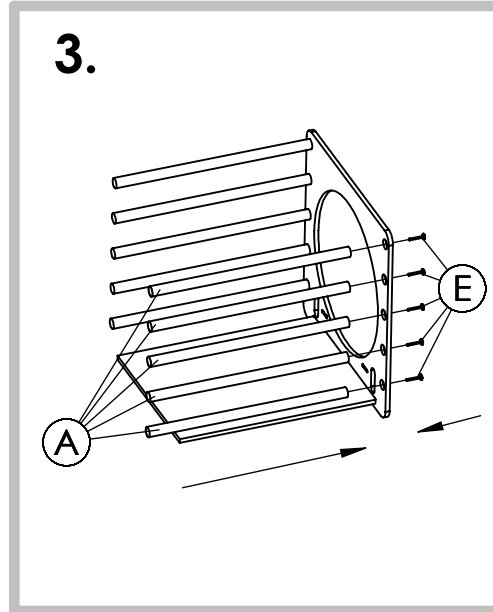
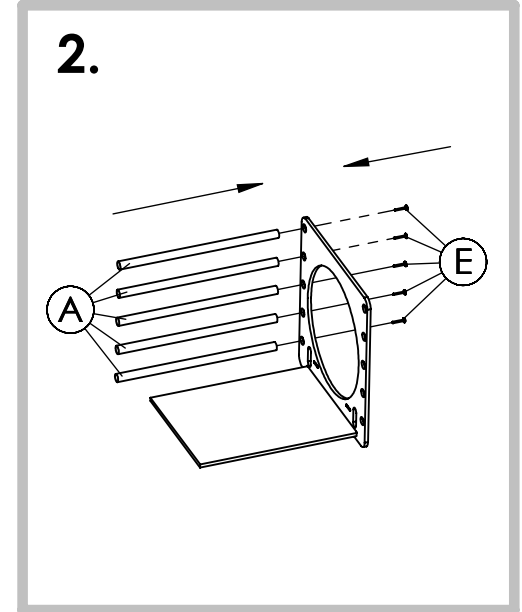
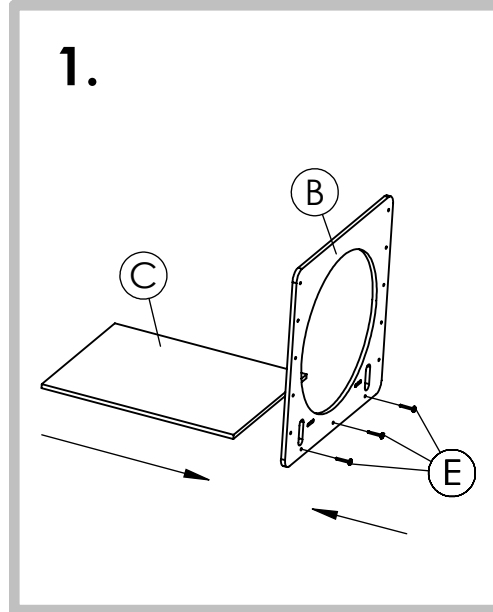
The package contains:

**ADULT
ASSEMBLY
REQUIRED**



- A - WOODEN BARS (X10)
- B - OPEN SIDES (X2)
- C - CENTER PLATFORM (X1)
- D - ALLEN KEY (X1)
- E - FLAT HEAD SCREWS (X26)

For assembling please follow these steps:



- Note:
- Use ALLEN KEY (D) to screw the SCREWS (E) into the predrilled holes.
 - Use your hand to hold the WOODEN BARS (A) during assembling.
 - WOODEN BARS (A) are not allowed to constantly turn around during assembling.
 - For easier assembly we recommend to split the 4th step in steps 4.1. and 4.2. At first (4.1.) screw in all the SCREWS (E) till half. Just at the second step (4.2.) tighten them completely.

