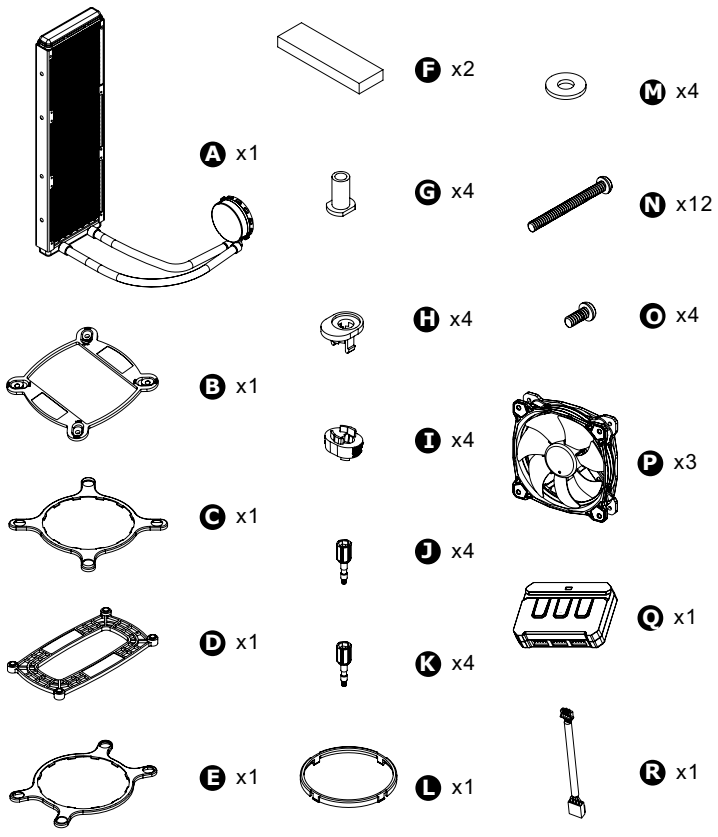


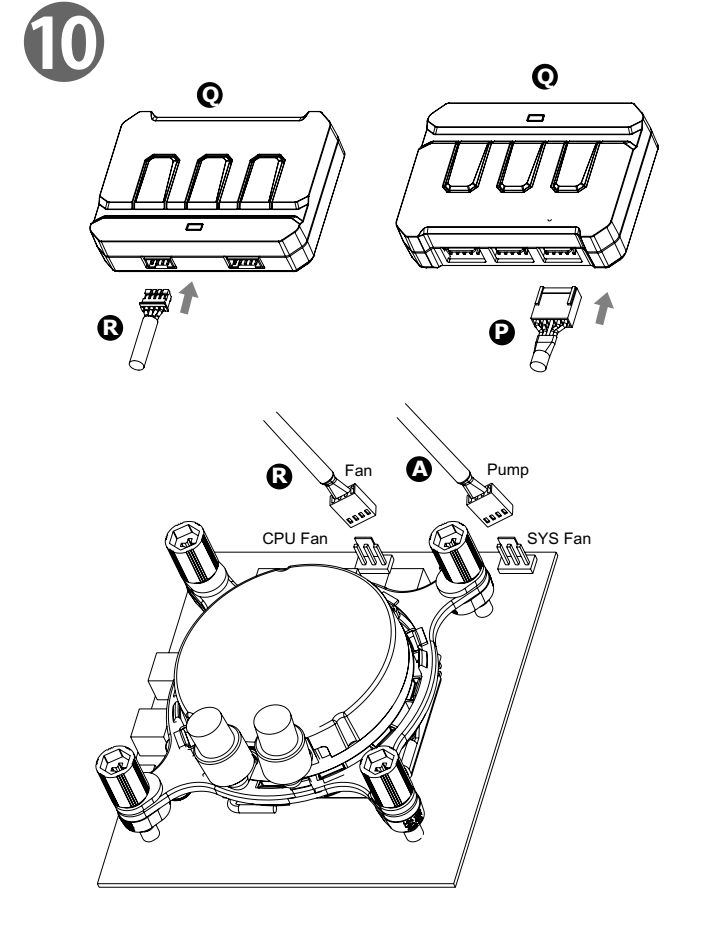
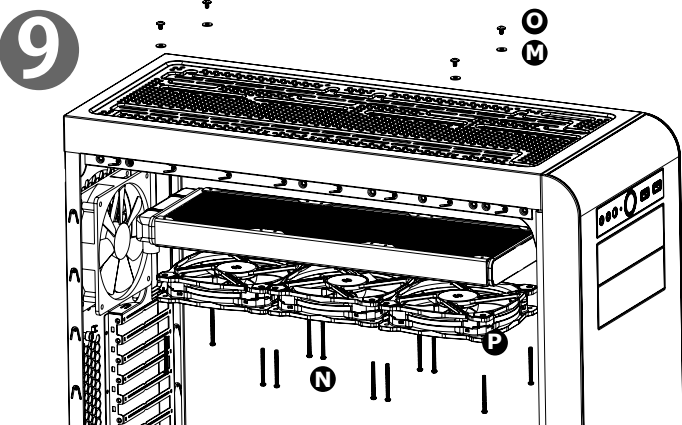
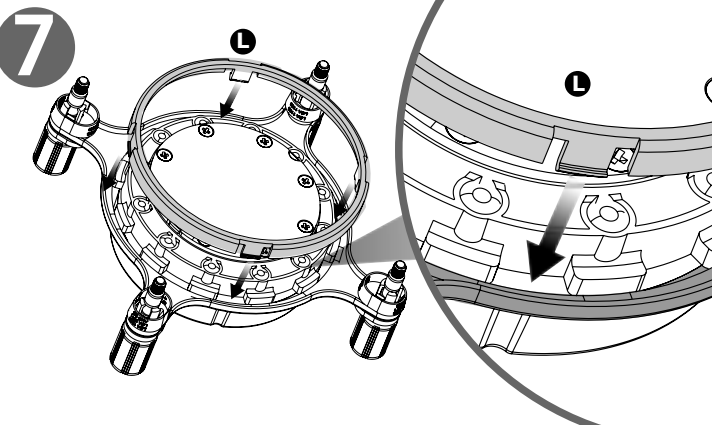
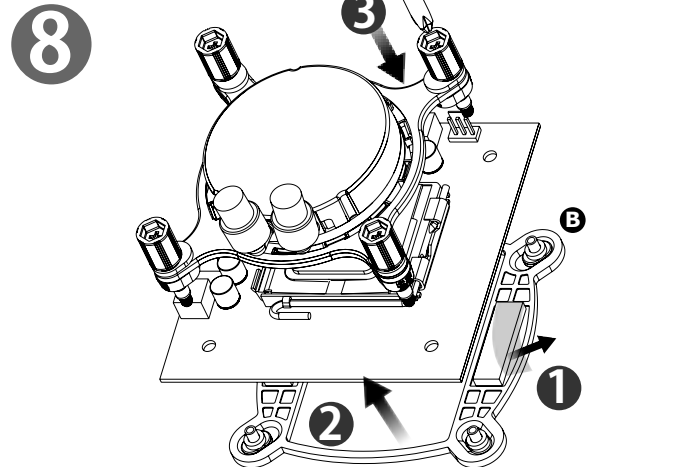
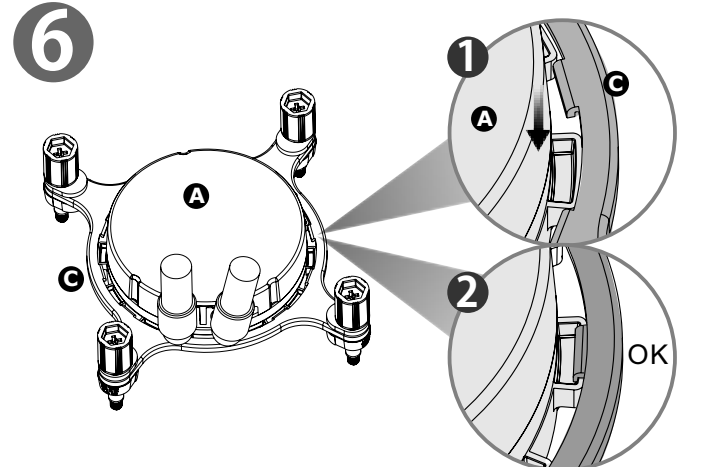
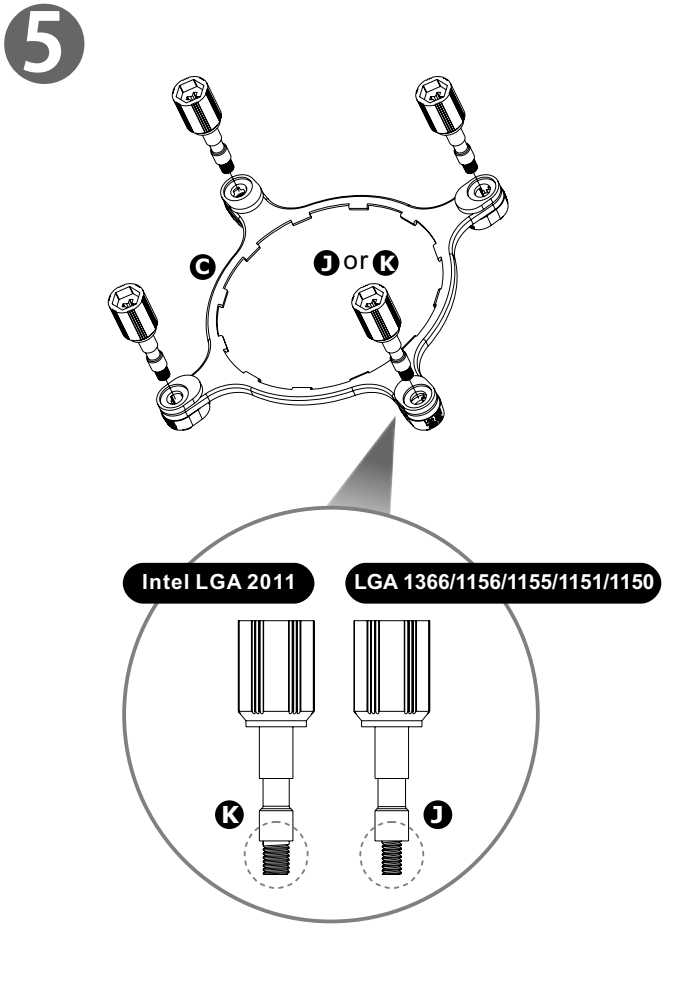
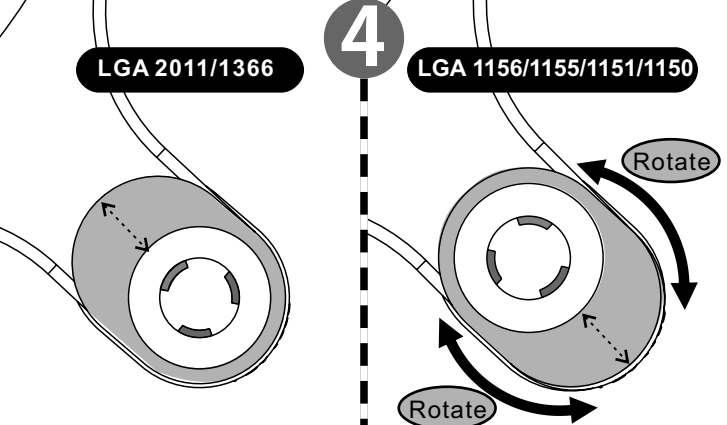
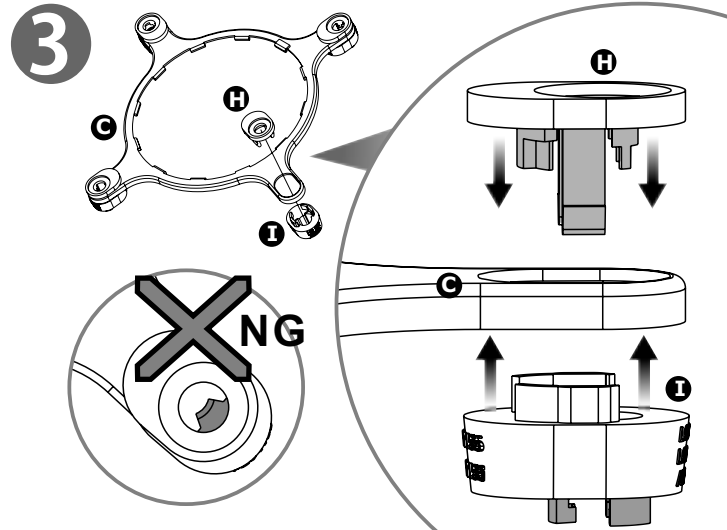
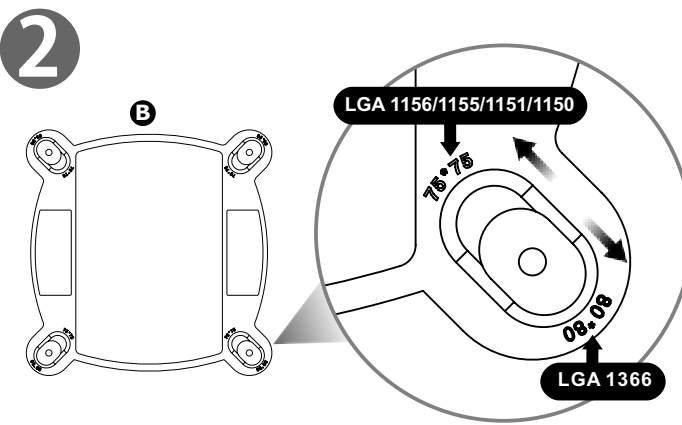
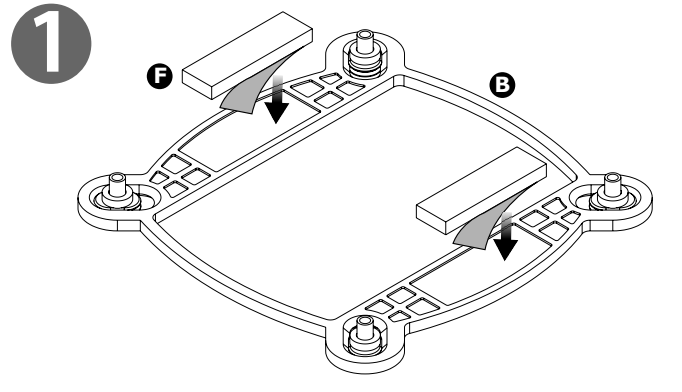
Intel Water 3.0 Ring RGB 360

Parts List

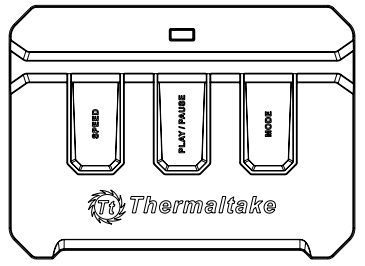


Intel (Socket LGA 1366/1156/1155/1151/1150) Installation

For LGA2011 installation, please skip to the next step



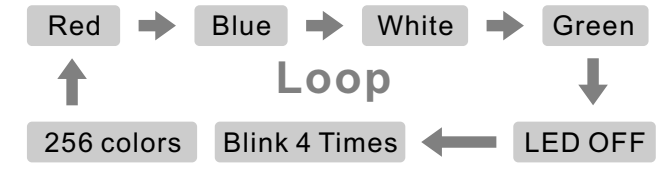
Controller



SPEED : Switch over between 2 fan speed modes
 LED Indicator shows Blue: Normal mode 800~1500rpm
 LED Indicator shows Red: Low noise mode 400~1000rpm

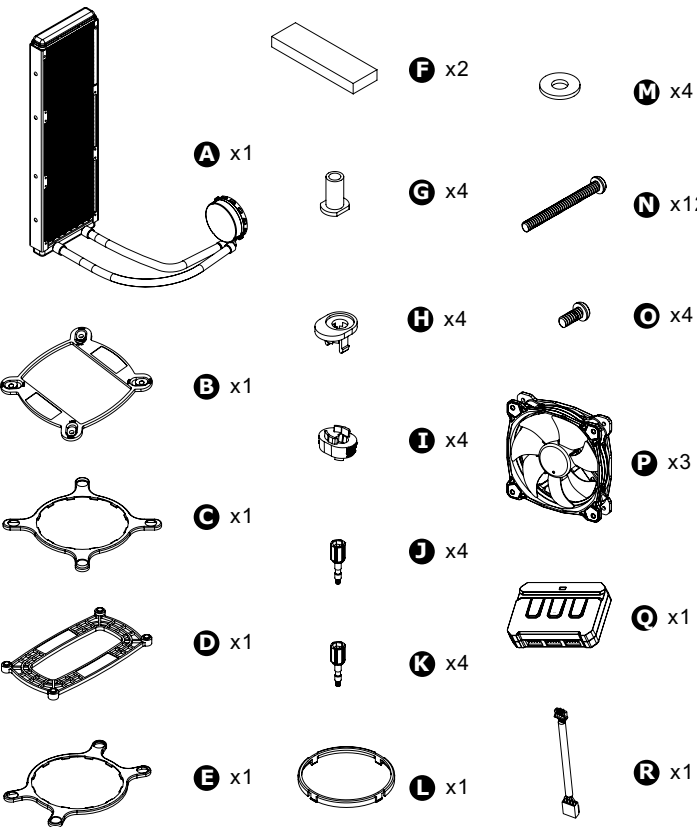
PLAY/PAUSE : When you switch to 256 colors mode, click to memorize and lock the color you want, click again to unlock the 256 colors auto rotation

MODE : Switch over between 6 LED colors
 Red → Blue → White → Green → LED off → 256 colors

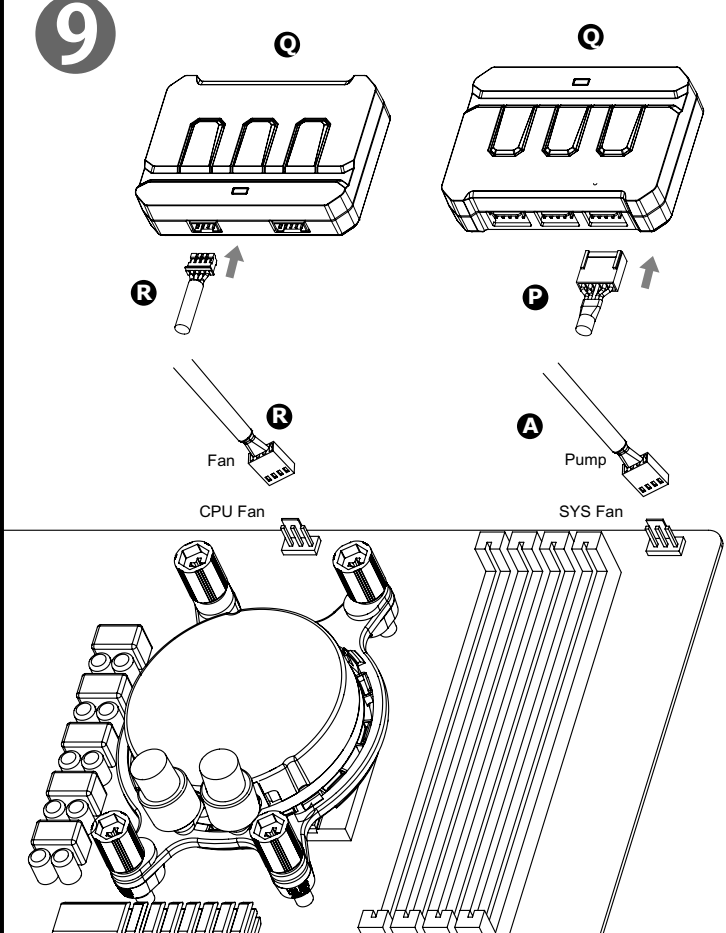
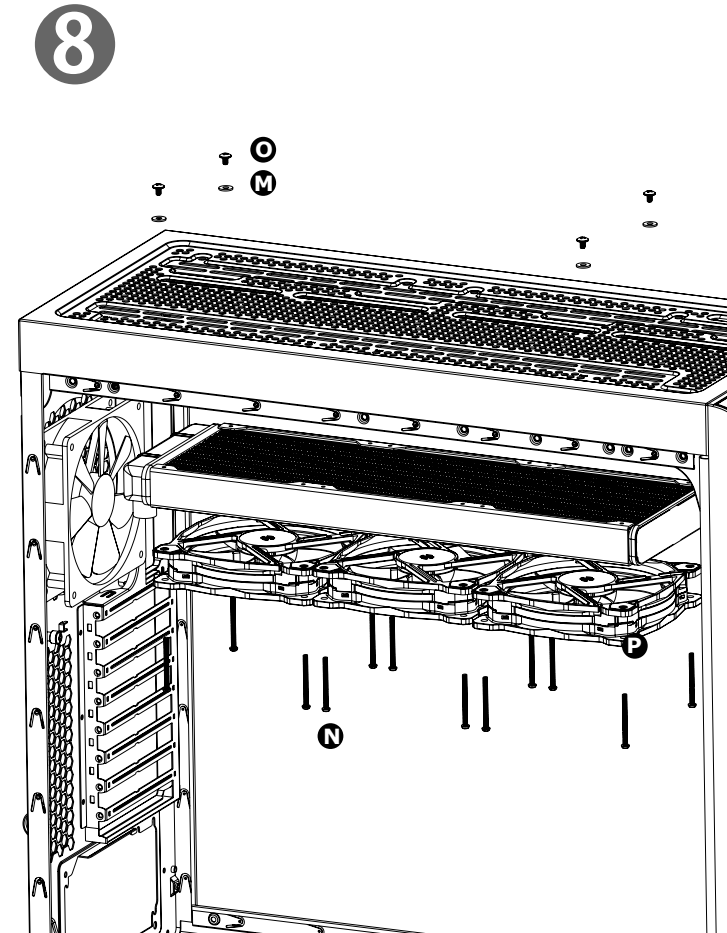
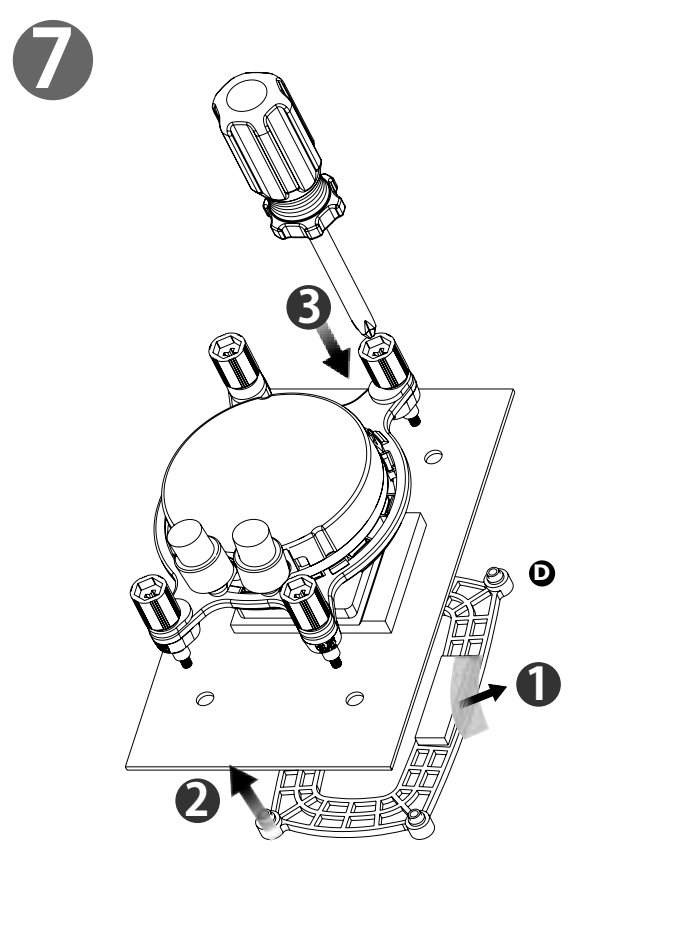
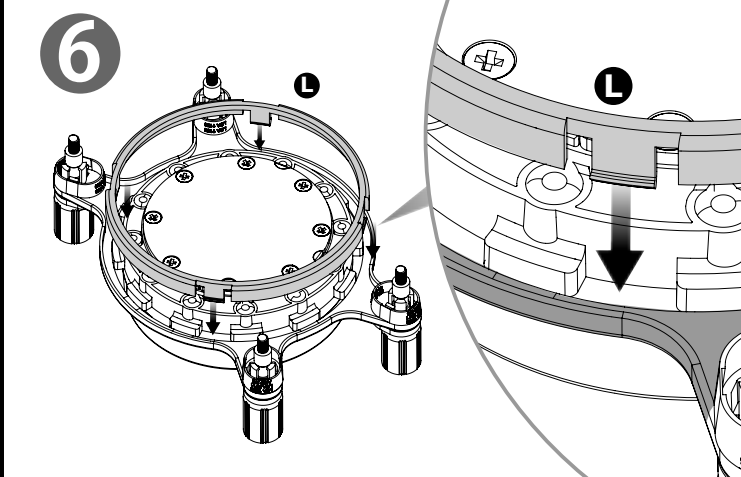
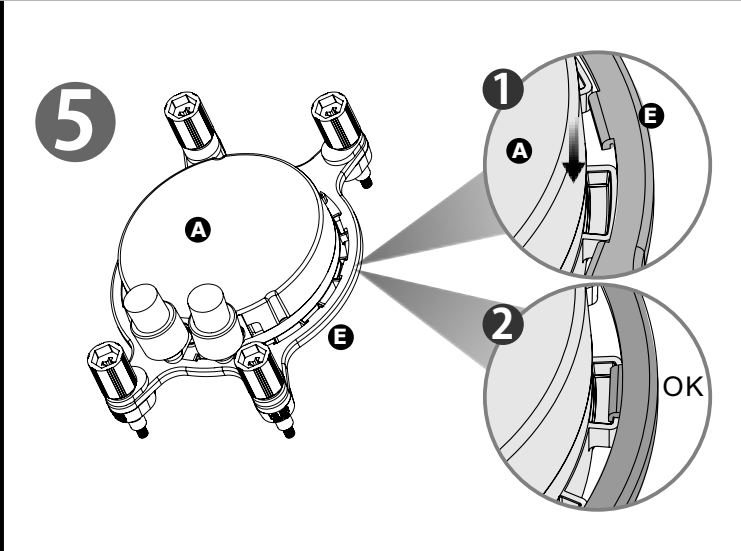
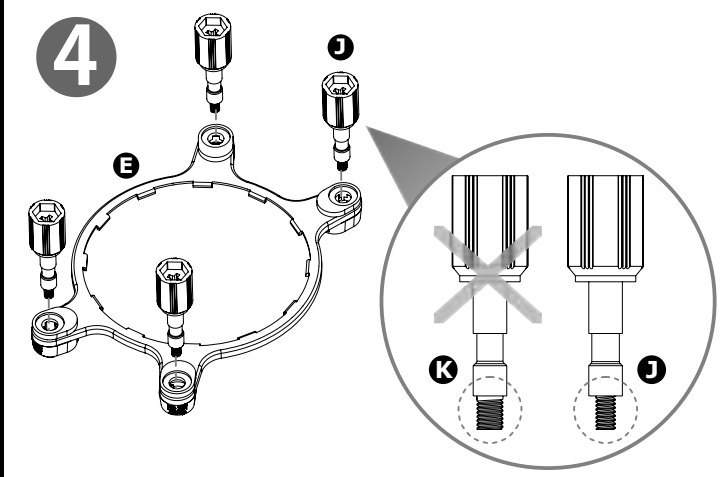
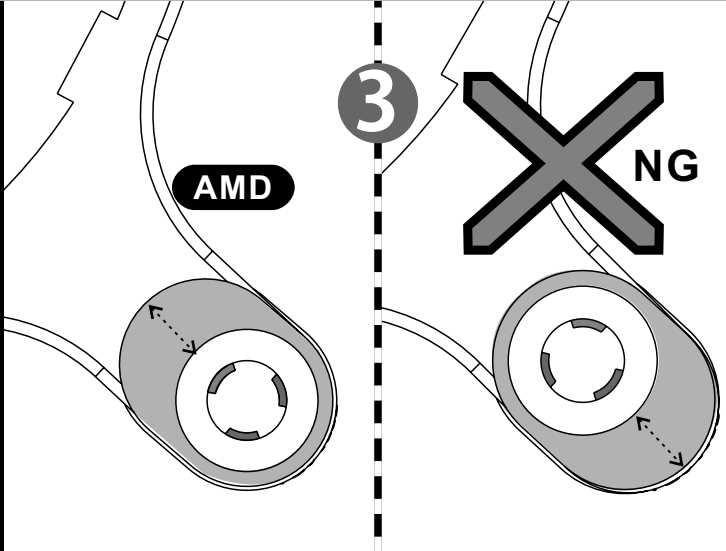
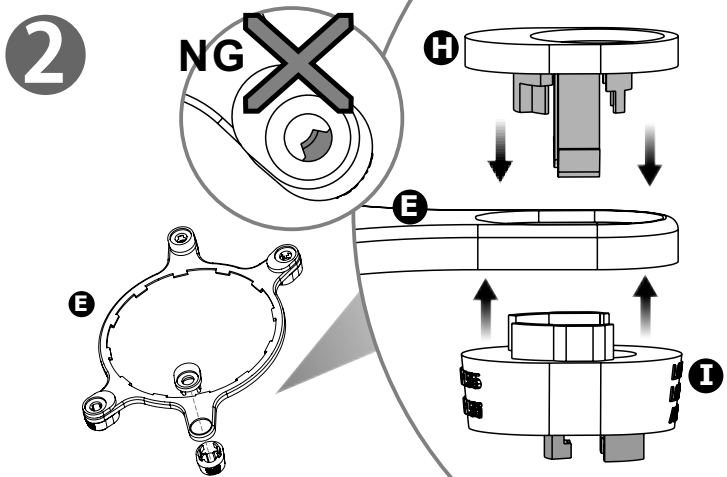
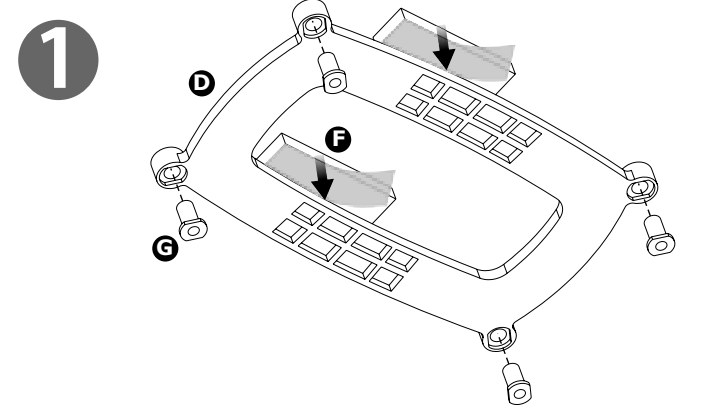


AMD Water 3.0 Ring RGB 360

Parts List



AMD Series Installation



Controller

