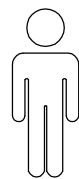
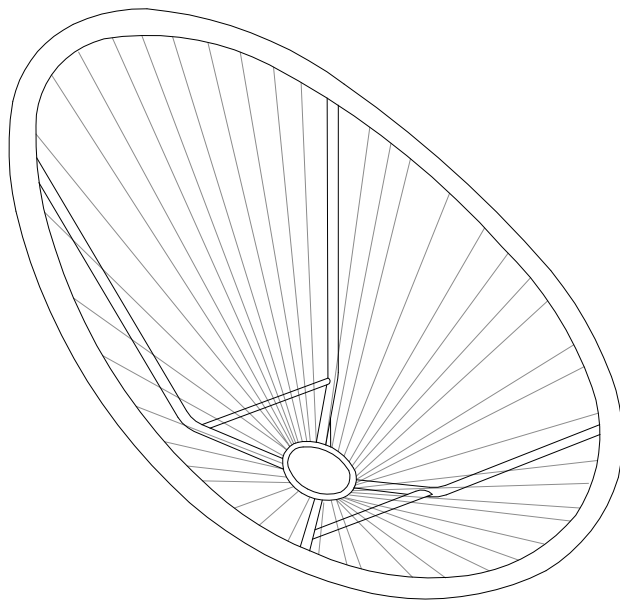
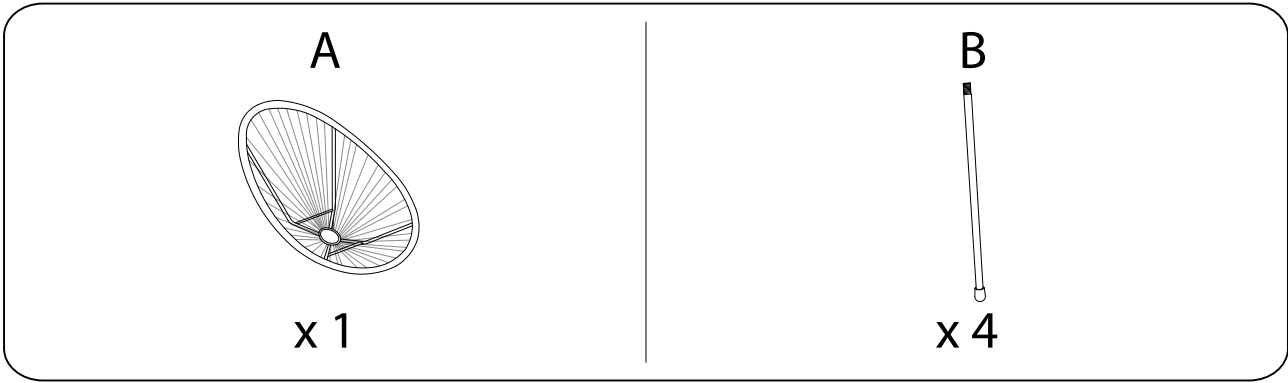


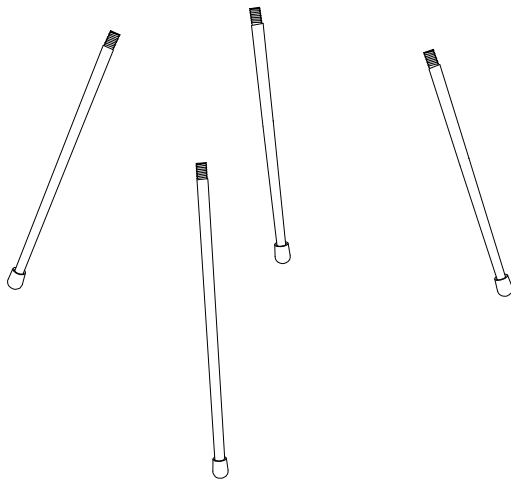
10'



1



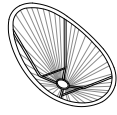
A



B x 4

1

A



x 1

B



x 4

