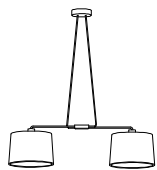
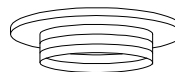


A

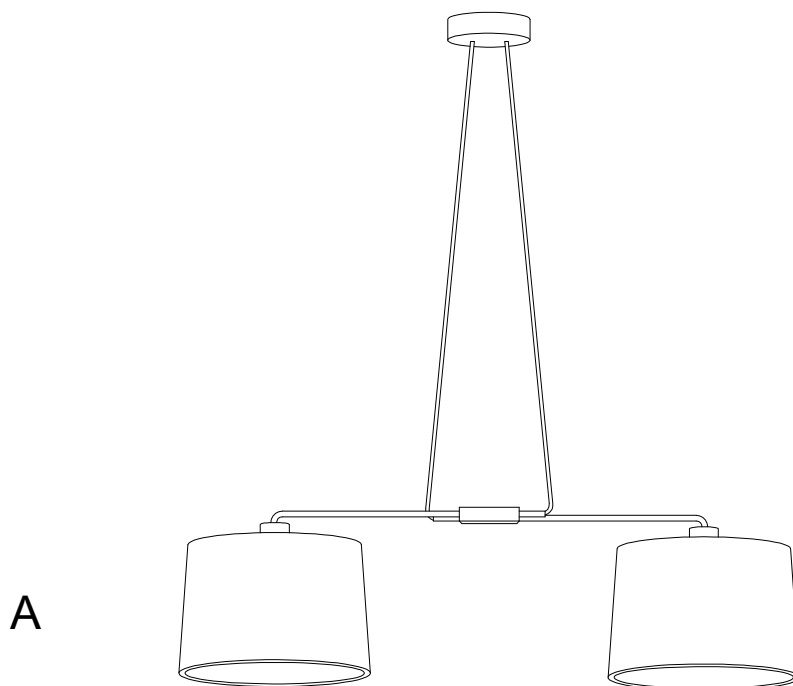


x 1

B



x 2

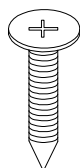


A

B x 2

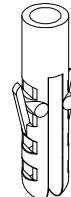


C



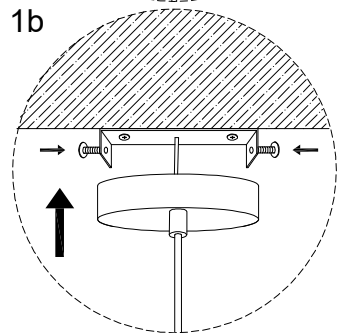
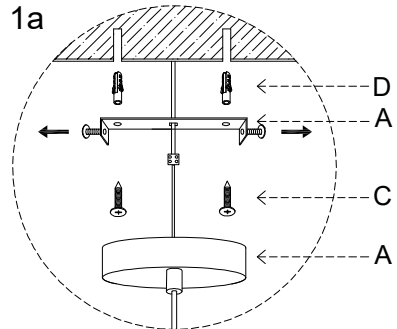
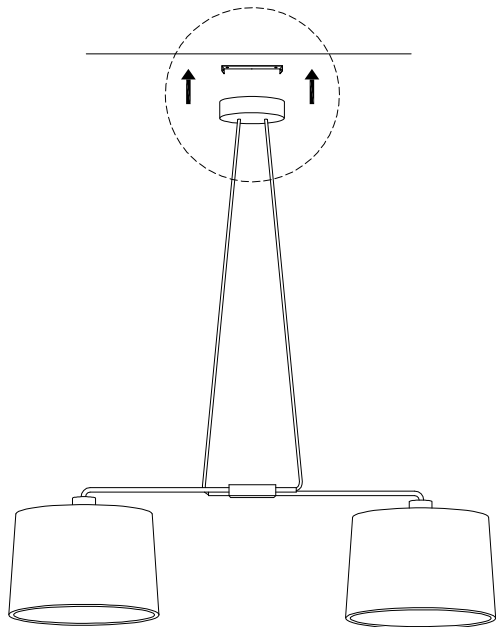
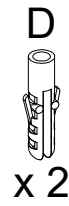
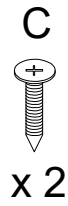
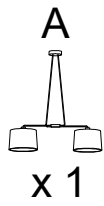
x 2

D



x 2

1



2

