

Assembly instruction | Upholstered lounge chair




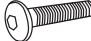
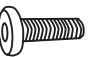




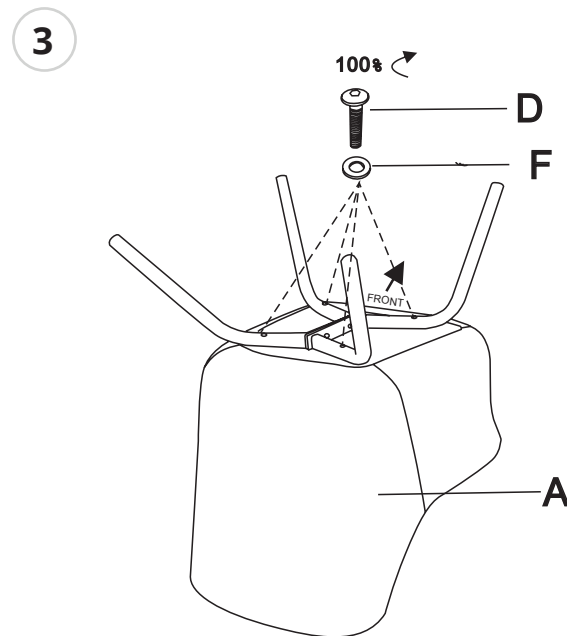
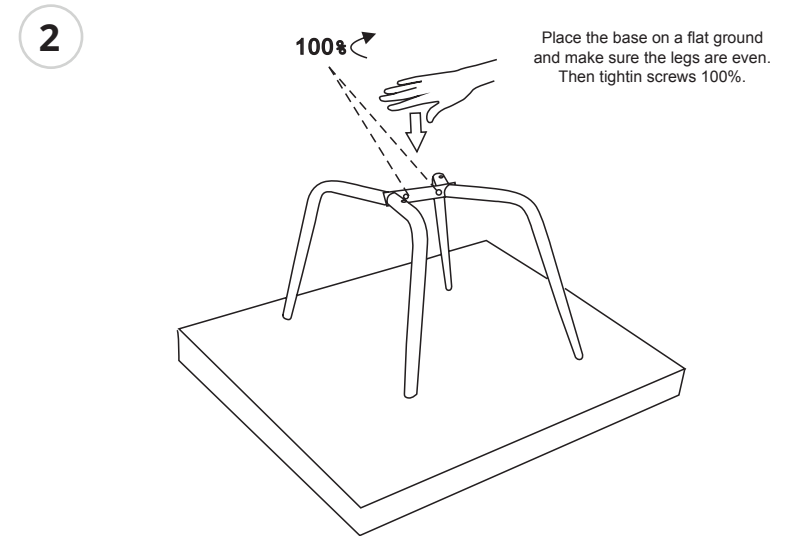
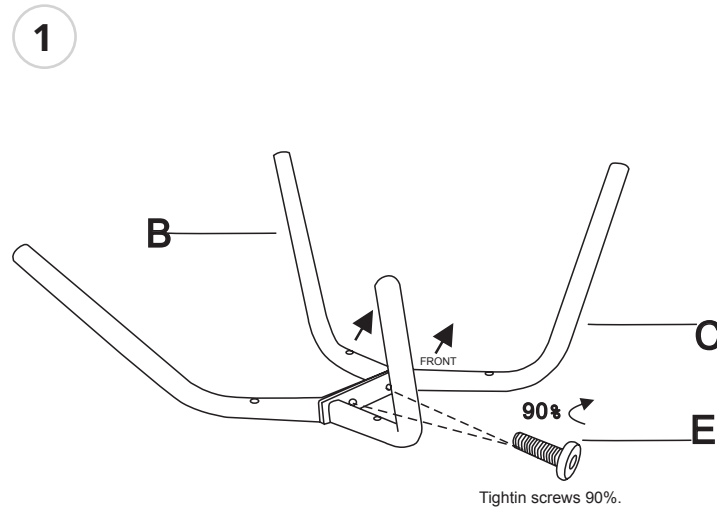
Kg
120

1x

10 min

Included parts

A x1 	B x1 
C x1 	D x4 (M6*40) 
E x2 (M8*16) 	F x4 (6*16*1) 
G x1 	



Notes

- We recommend that you re-tighten the screws after a while for optimum retention of your chair.

