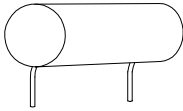
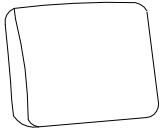
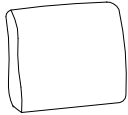
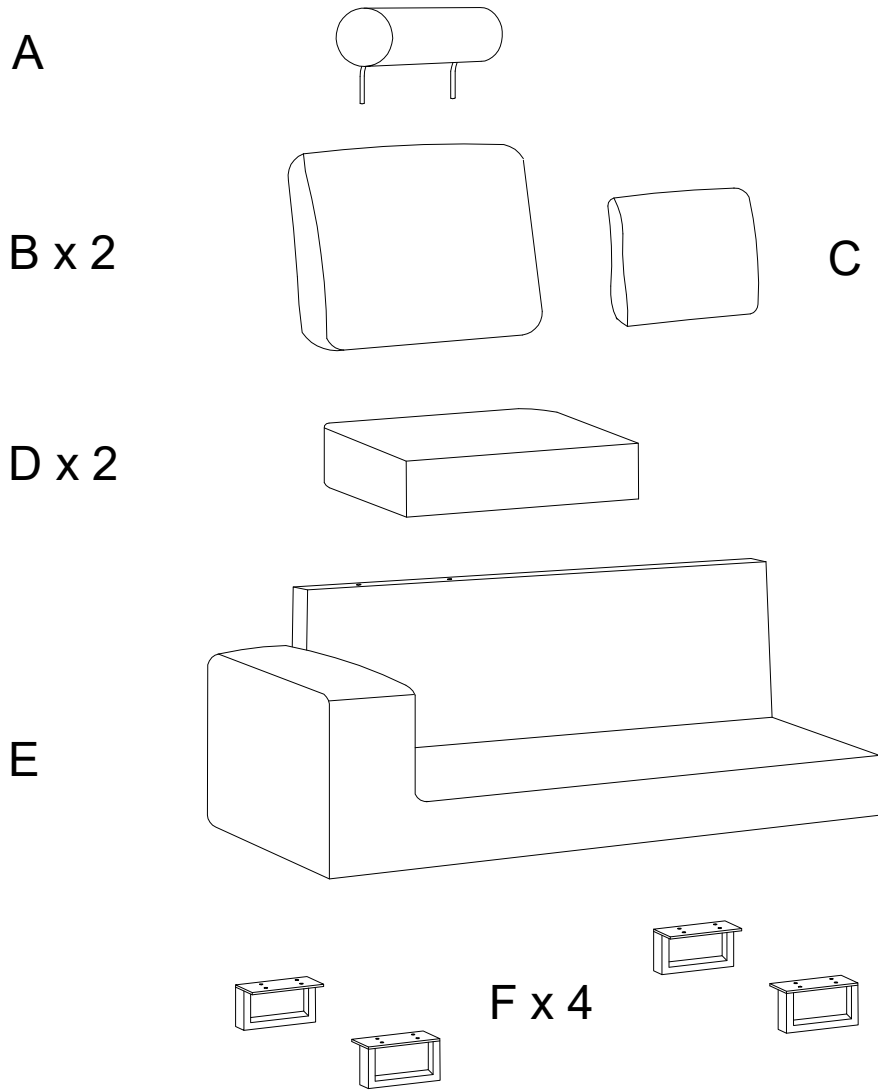



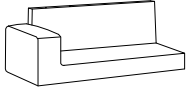
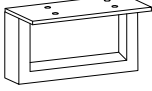
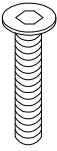

Assembly instructions for step 1/4:

- Tools:** A circle containing an Allen key and a screwdriver. A power drill is shown with a diagonal line through it, indicating it should not be used.
- Warning:** A triangle with an exclamation mark.
- Time:** A clock icon with the text "25'" below it, indicating a 25-minute assembly time.
- Personnel:** A person icon with the number "2" below it, indicating that two people are required for assembly.

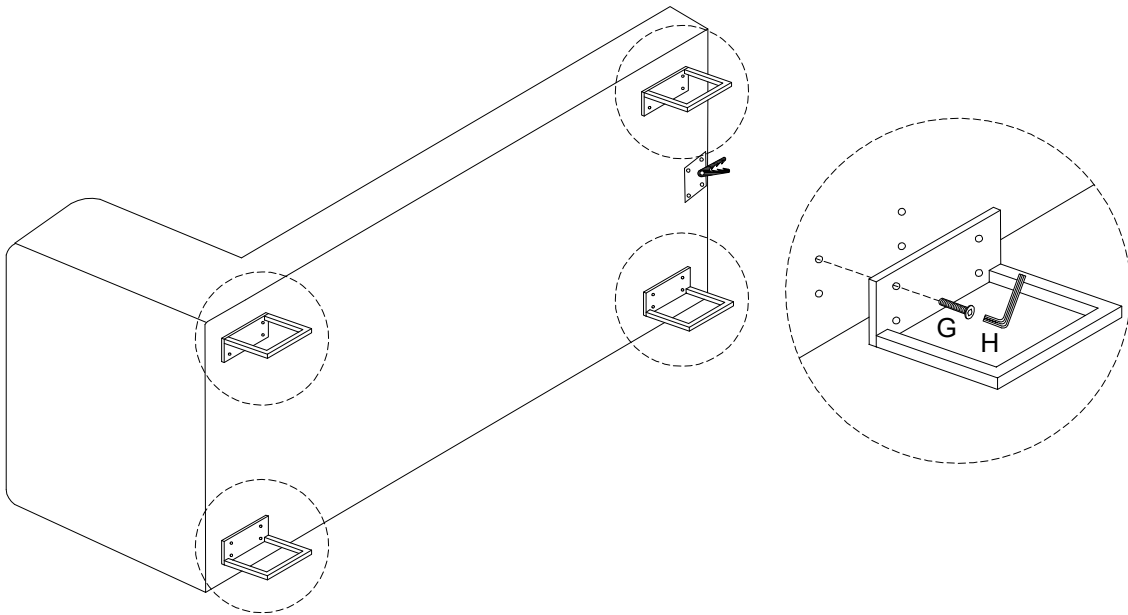
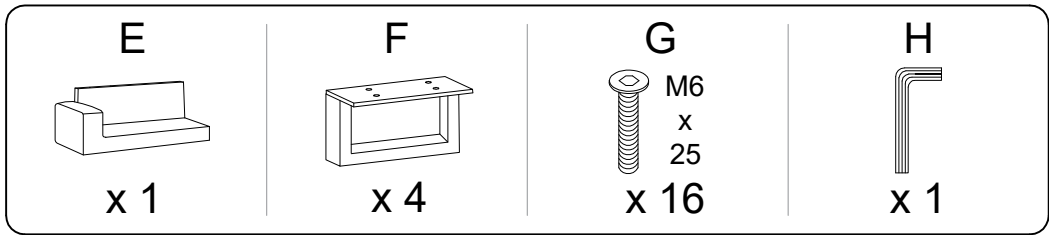
1/4

A	B	C
		
x 1	x 2	x 1

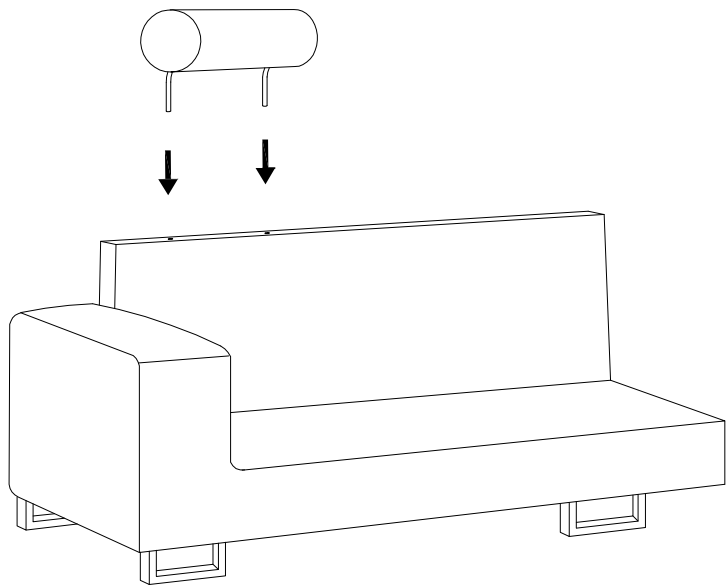
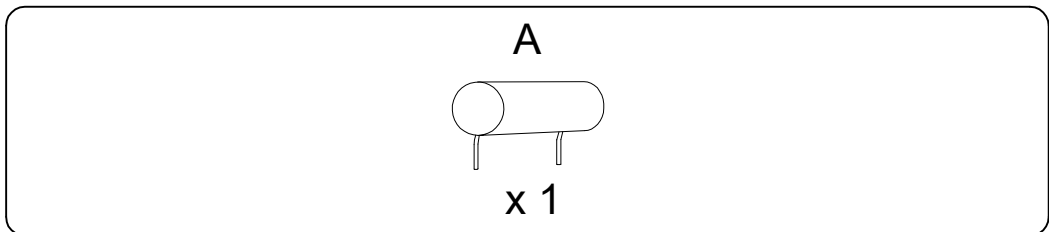


D	E	F	G	H
			 M6 x 25	
x 2	x 1	x 4	x 16	x 1

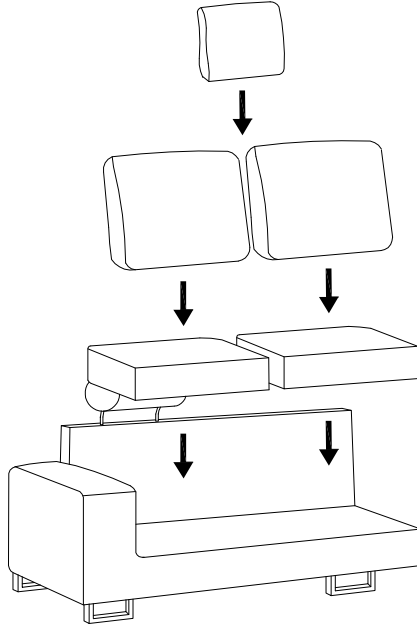
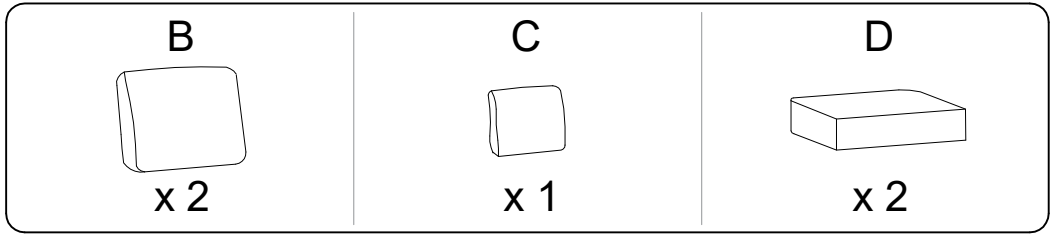
1



2



3



!

