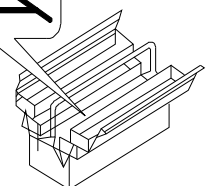
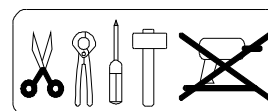
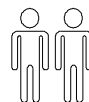


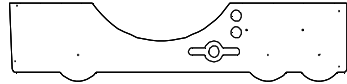
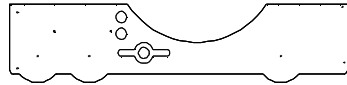
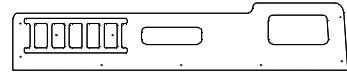
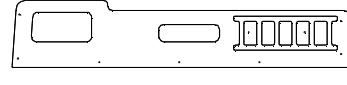

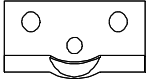

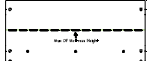
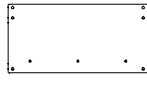

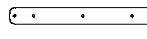
- |                                       |                                   |
|---------------------------------------|-----------------------------------|
| <b>D</b> Montageanleitung             | <b>GB</b> Assembly instructions   |
| <b>NL</b> Handleiding voor de montage | <b>PL</b> Instrukcja montazu      |
| <b>TR</b> Montaj talimati             | <b>RU</b> Инструкция по монтажу   |
| <b>FR</b> Notice de montage           | <b>IT</b> Istruzioni di montaggio |
| <b>CS</b> Montážní návod              | <b>SK</b> Návod na montáž         |
| <b>HU</b> Szerelési útmutató          | <b>RO</b> Instrucțiuni de montaj  |

VIPACK B-8791 BEVEREN-LEIE

FR CONFORME AUX EXIGENCES DE SECURITE  
EN MEETS SAFETY STANDARDS  
DE ERFÜLLT DIE SICHERHEITSANFORDERUNGEN  
ES CONFORME A LAS NORMAS DE SEGRIDAD  
PT EM CONFORMIDADE COM OS REQUISITOS DE  
SEGURANCA  
IT CONFORME AI REQUISITI DI SICUREZZA  
NL VOLDOET AAN DE VEILIGHEIDSNORMEN



# SCFTBB19



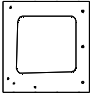
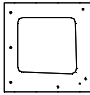
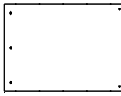



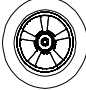
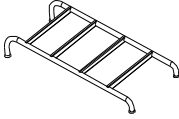
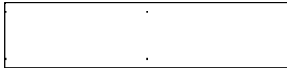
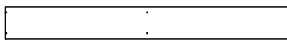
ITEM NO.	MEASUREMENT	QTY	SHAPE	CARTON NO.
①	2110 X 450 X 40	X1		1-5
②	2110 X 450 X 40	X1		1-5
③	2110 X 392 X 25	X1		1-5
④	2110 X 392 X 25	X1		1-5
⑤	930 X 360 X 27	X1		2-5
⑥	930 X 470 X 30	X1		2-5
⑦	930 X 540 X 15	x1		2-5
⑧	930 X 366 X 15	x1		2-5
⑨	930 X 430 X 15	x1		2-5
⑩	930 X 180 X 15	x1		2-5
⑪	570 X 60 X 15	x4		2-5

2010x930

2 OF 11

Ver1.016

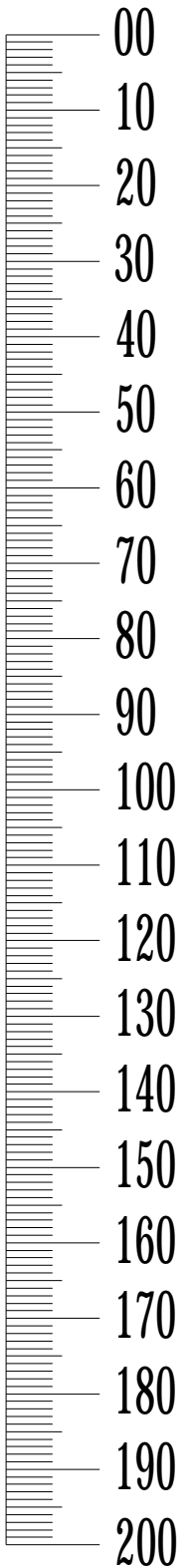
# SCFTBB19

ITEM NO.	MEASUREMENT	QTY	SHAPE	CARTON NO.
⑫	930 X 98 X 15	x3		2-5
⑬	900 X 40 X 15	x3		2-5
⑭	510 X 490 X 15	x1	 (L)	3-5
⑮	510 X 490 X 15	x1	 (R)	3-5
⑯	720 X 490 X 15	x1	 (L)	3-5
⑰	720 X 490 X 15	x1	 (R)	3-5
⑱	45 X 45 X 35	x1		3-5
⑲	240 X 240 X 12	x1		3-5
⑳	292 X 292 X 18	x6		4-5
㉑	895 X 385 X 107	x1		4-5
㉒	2007 X 400 X 12	x2		5-5
㉓	2007 X 198 X 12	x4		5-5

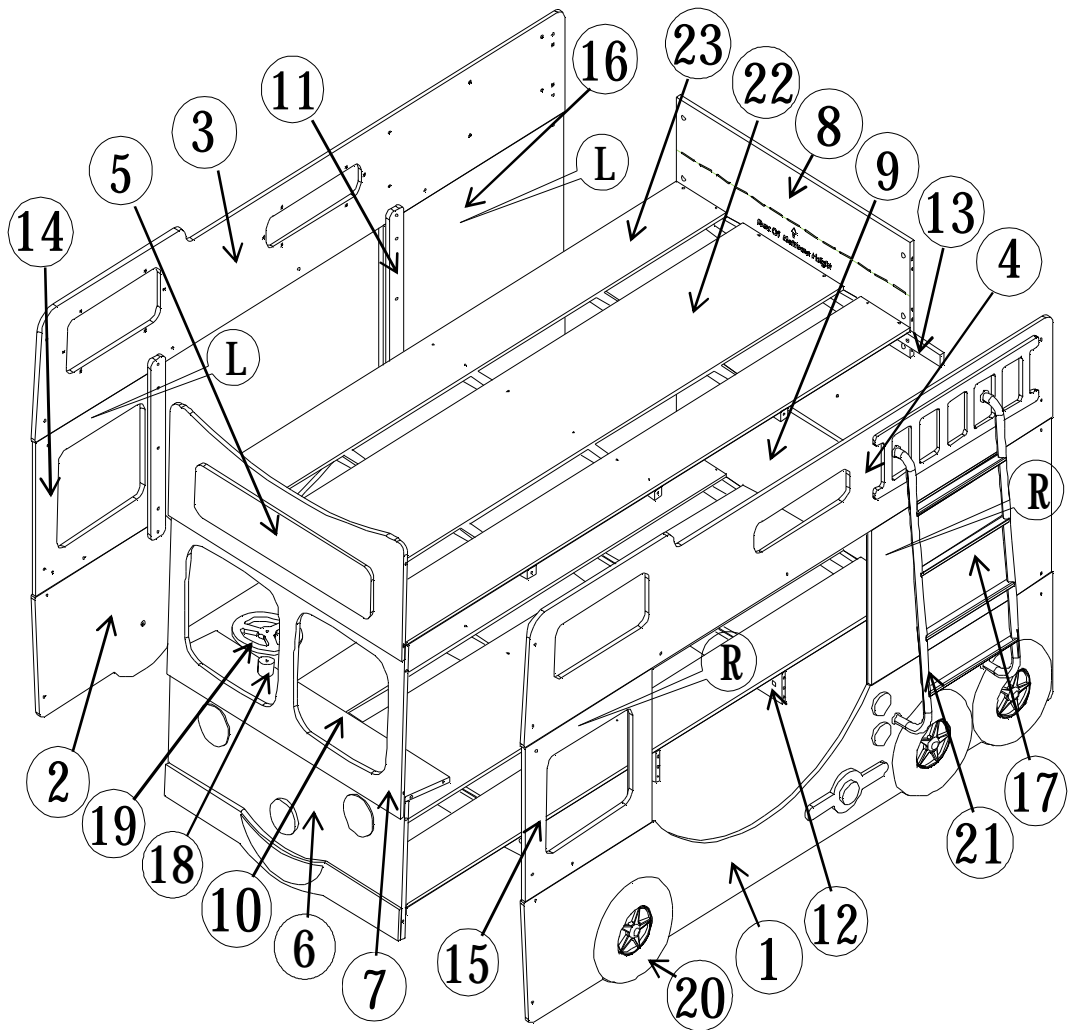
2010x930

3 OF 11

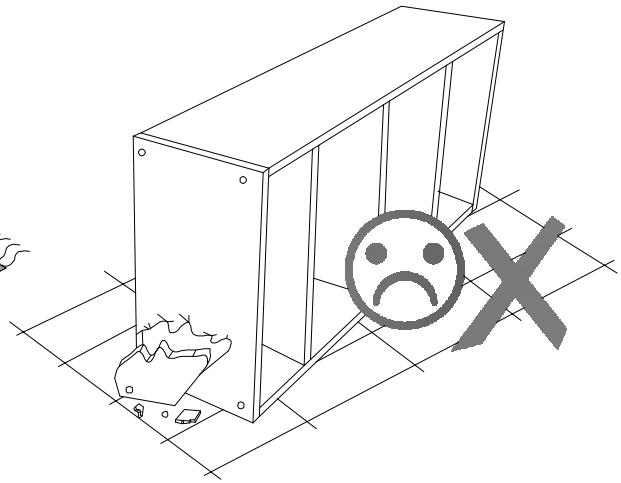
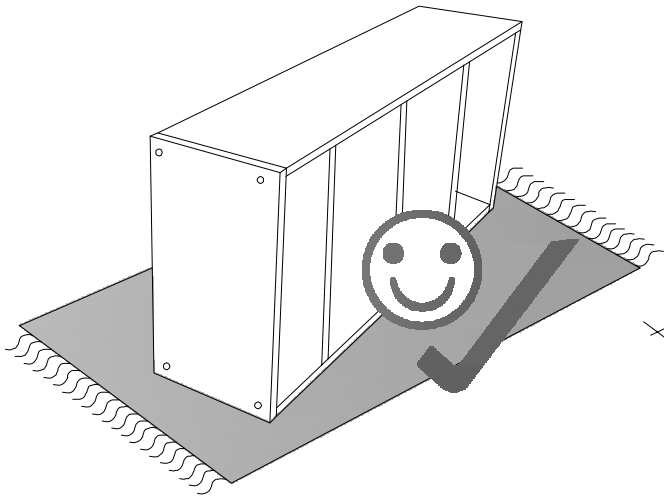
Ver1.016



Service • Asistenza • Dienstverlening • Servis Servis • Szerviz • Сервисная служба	
Name • Nom • Nome • Naam • Nazwa • Jméno • Názov • Név • Denimire • Isim • Название	
Nr. • No. • N° • Номер • Číslo	
Typ • Type • Tipe • Tipus • Тип	



- |                          |                         |                           |                             |                          |                           |
|--------------------------|-------------------------|---------------------------|-----------------------------|--------------------------|---------------------------|
| <b>A</b><br>x6           | <b>B</b><br>x6          | <b>C</b><br>10x11<br>x26  | <b>D</b><br>8x30<br>x54     | <b>E1</b><br>6x25<br>x45 | <b>E2</b><br>6x30<br>x10  |
| <b>E3</b><br>6x50<br>x26 | <b>E4</b><br>6x70<br>x1 | <b>F</b><br>Spanner<br>x1 | <b>G</b><br>11x6x5<br>x1    | <b>H</b><br>20x7x1<br>x2 | <b>I</b><br>3.5x29<br>x30 |
| <b>J</b><br>x6           | <b>K</b><br>x1          | <b>L</b><br>x2            | <b>M</b><br>Allen Key<br>x1 |                          |                           |

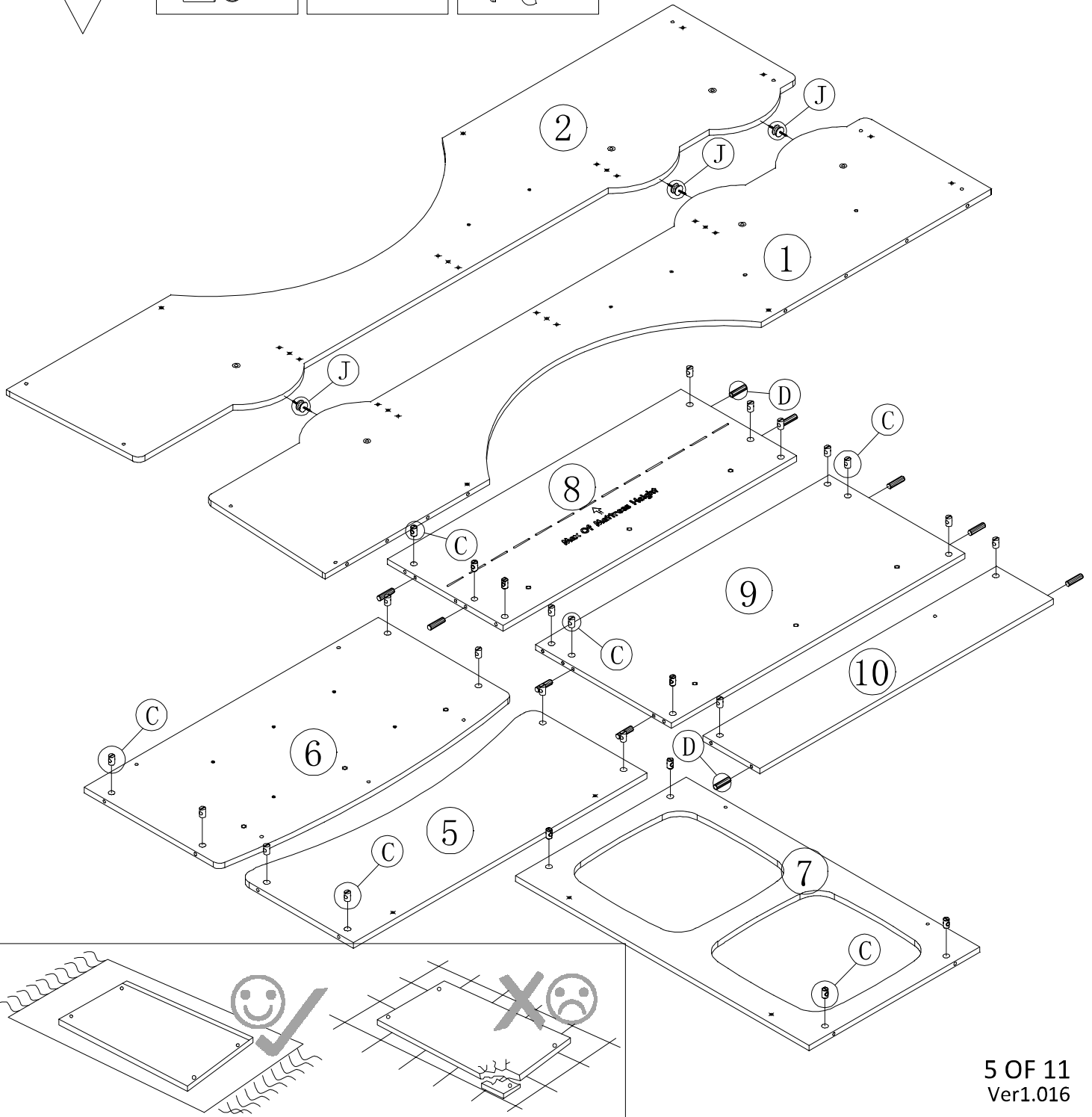


1



C  $\Phi 10 \times 11$   
x26

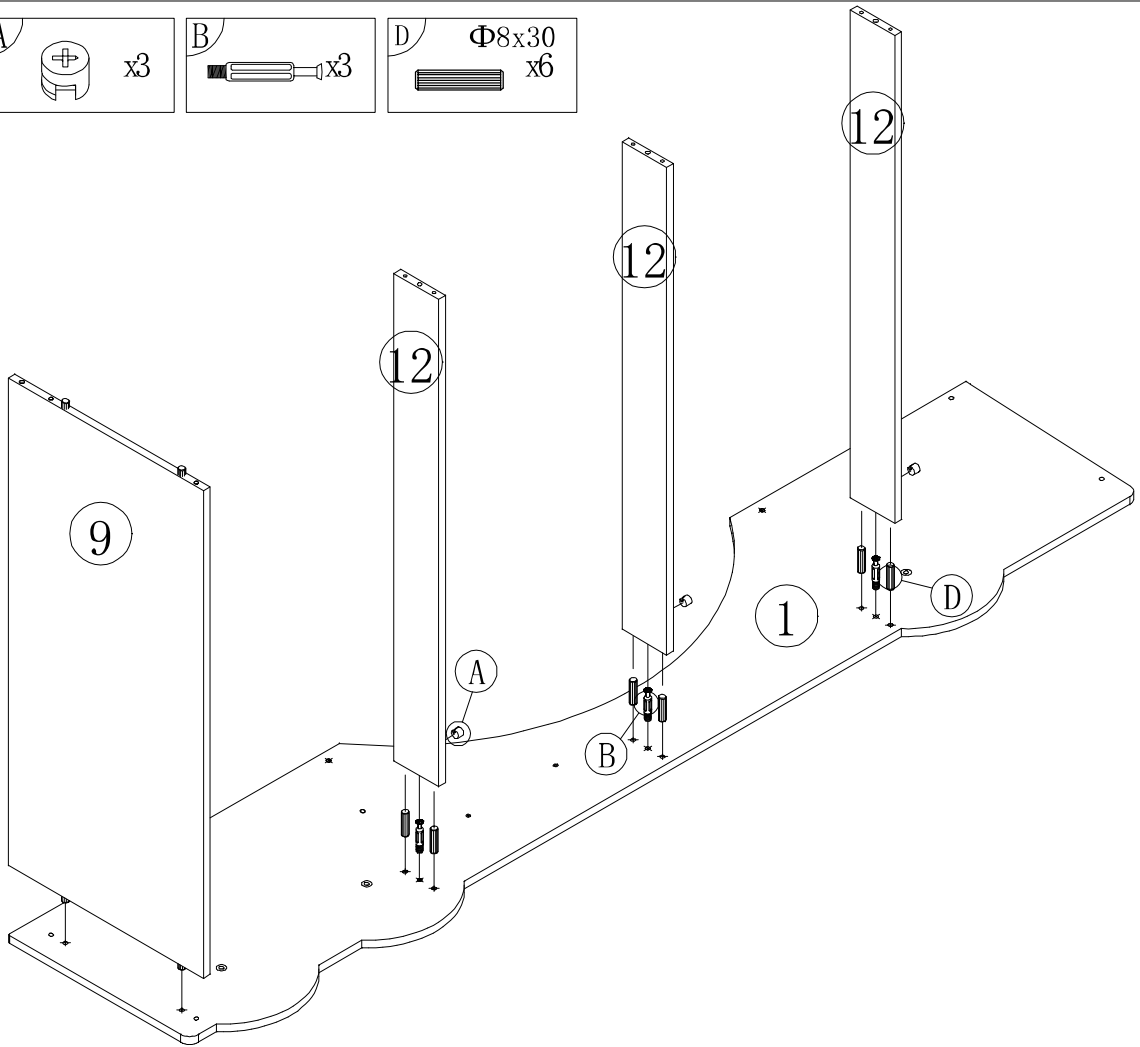
D  $\Phi 8 \times 30$   
x10

J x6





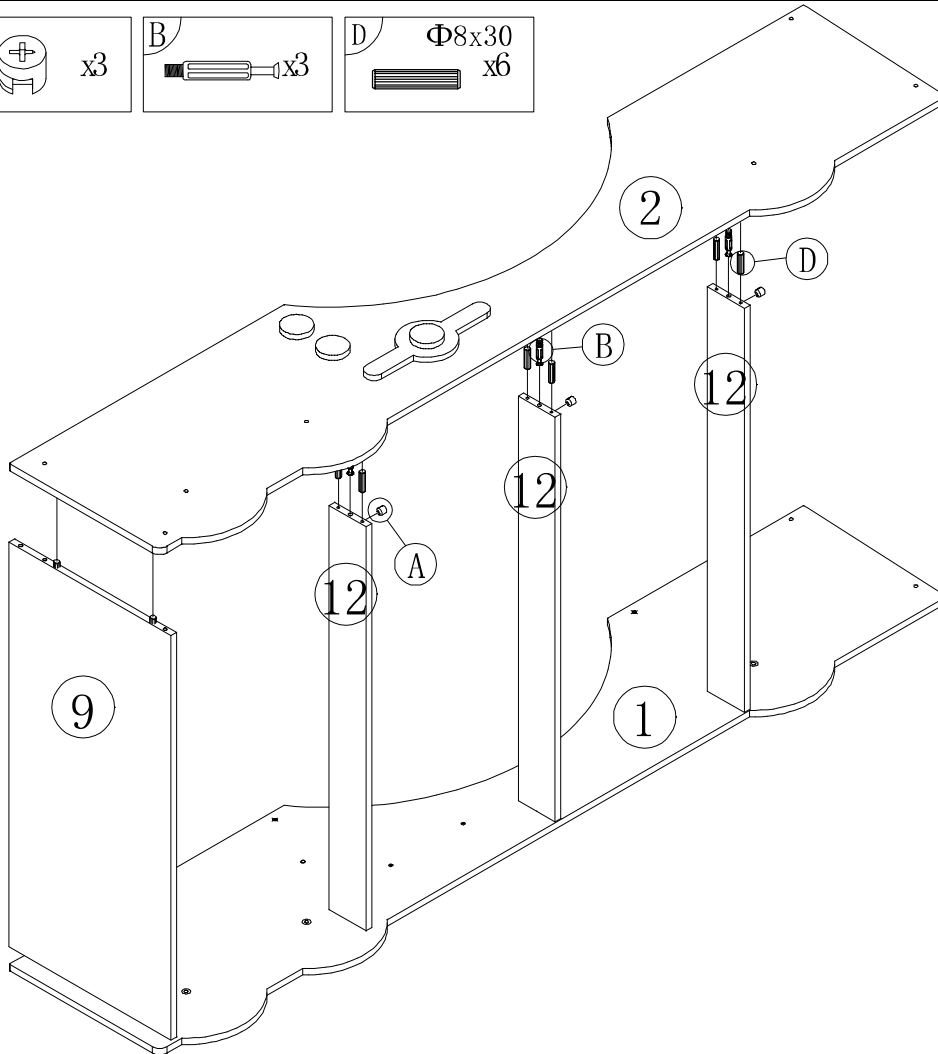
2

- A  x3
- B  x3
- D  $\Phi 8 \times 30$  x6



3

- A  x3
- B  x3
- D  $\Phi 8 \times 30$  x6



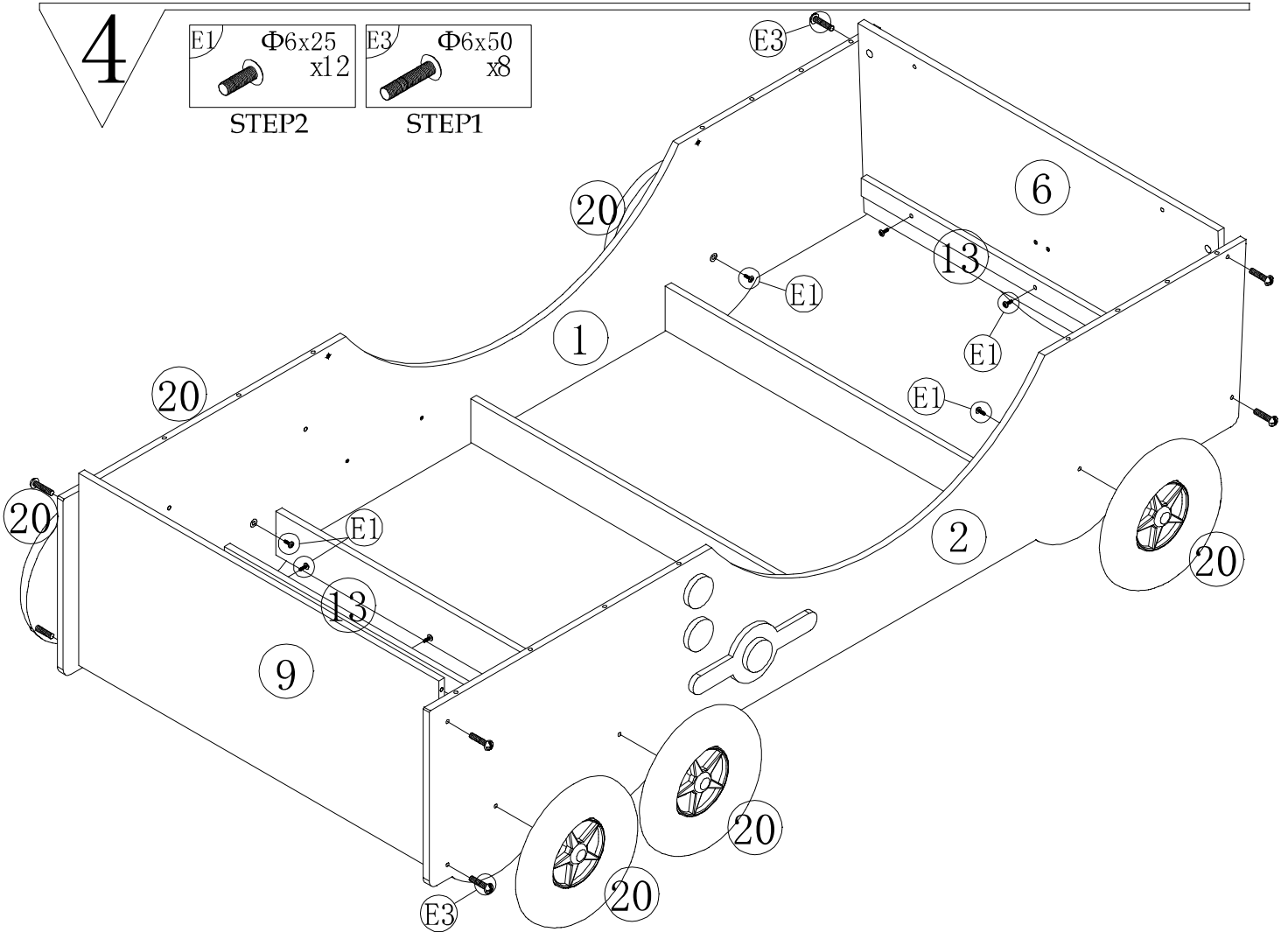
4

E1  $\Phi 6 \times 25$   
x12

STEP2

E3  $\Phi 6 \times 50$   
x8

STEP1



5

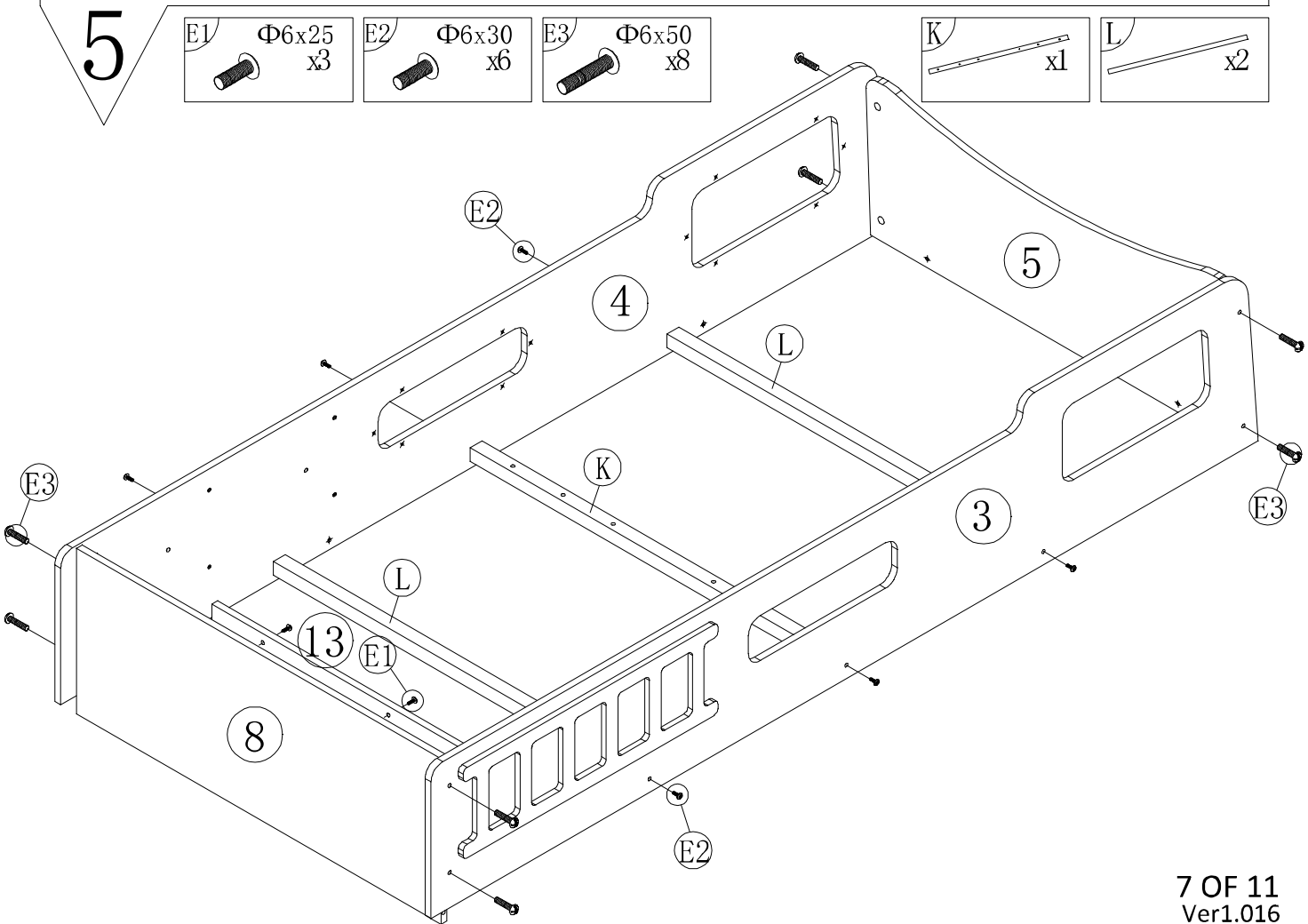
E1  $\Phi 6 \times 25$   
x3

E2  $\Phi 6 \times 30$   
x6

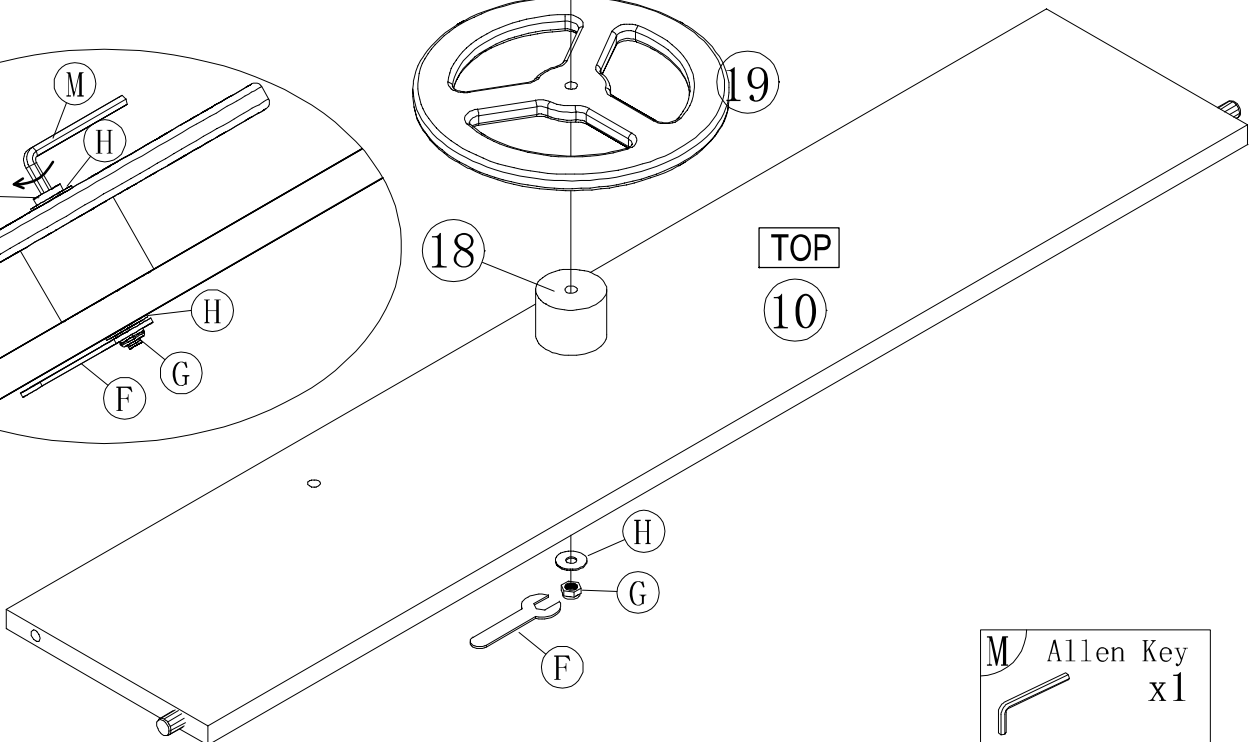
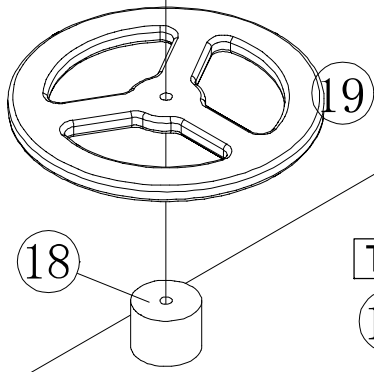
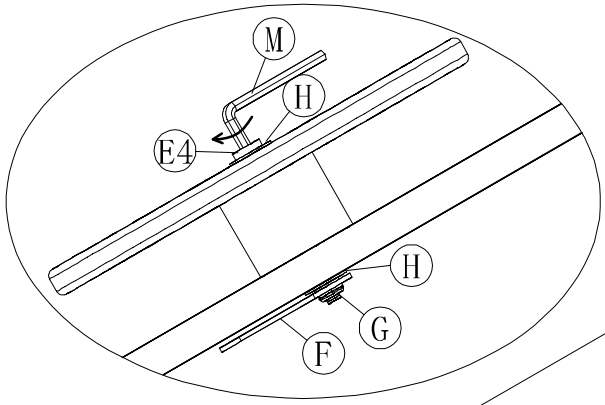
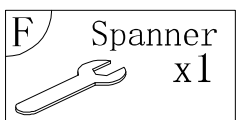
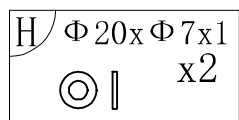
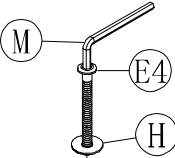
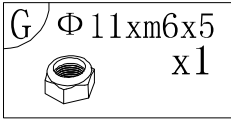
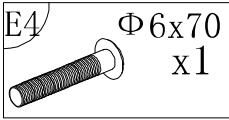
E3  $\Phi 6 \times 50$   
x8

K  $\times 1$

L  $\times 2$

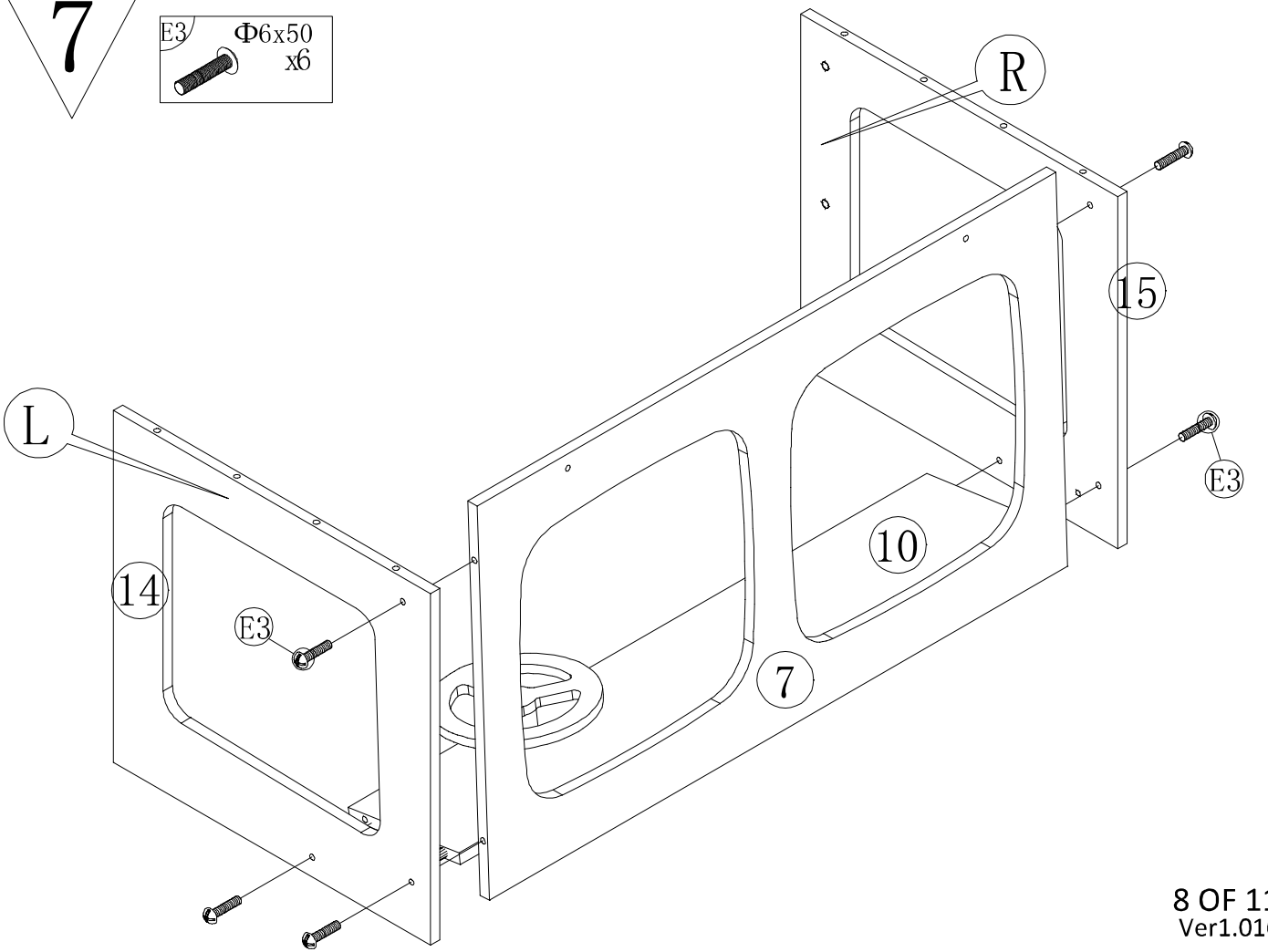
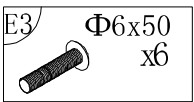


# 6




Using the Spanner (F) and Allen Key (M), ensure that the Bolt (E4) and Locking Nut (G) are securely fixed and that the wheel can still turn freely.

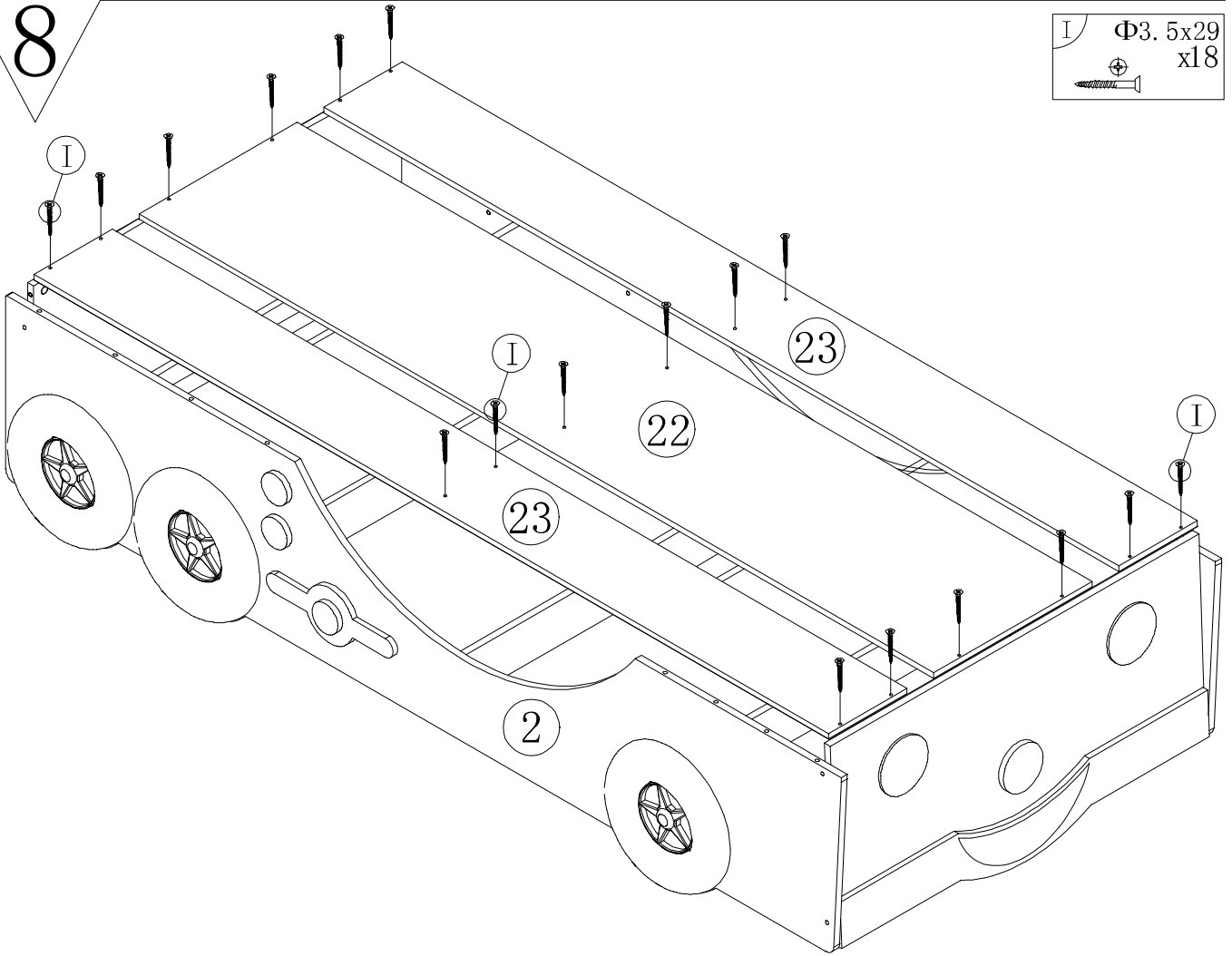
# 7







8

I  $\Phi 3.5 \times 29$   
x18  


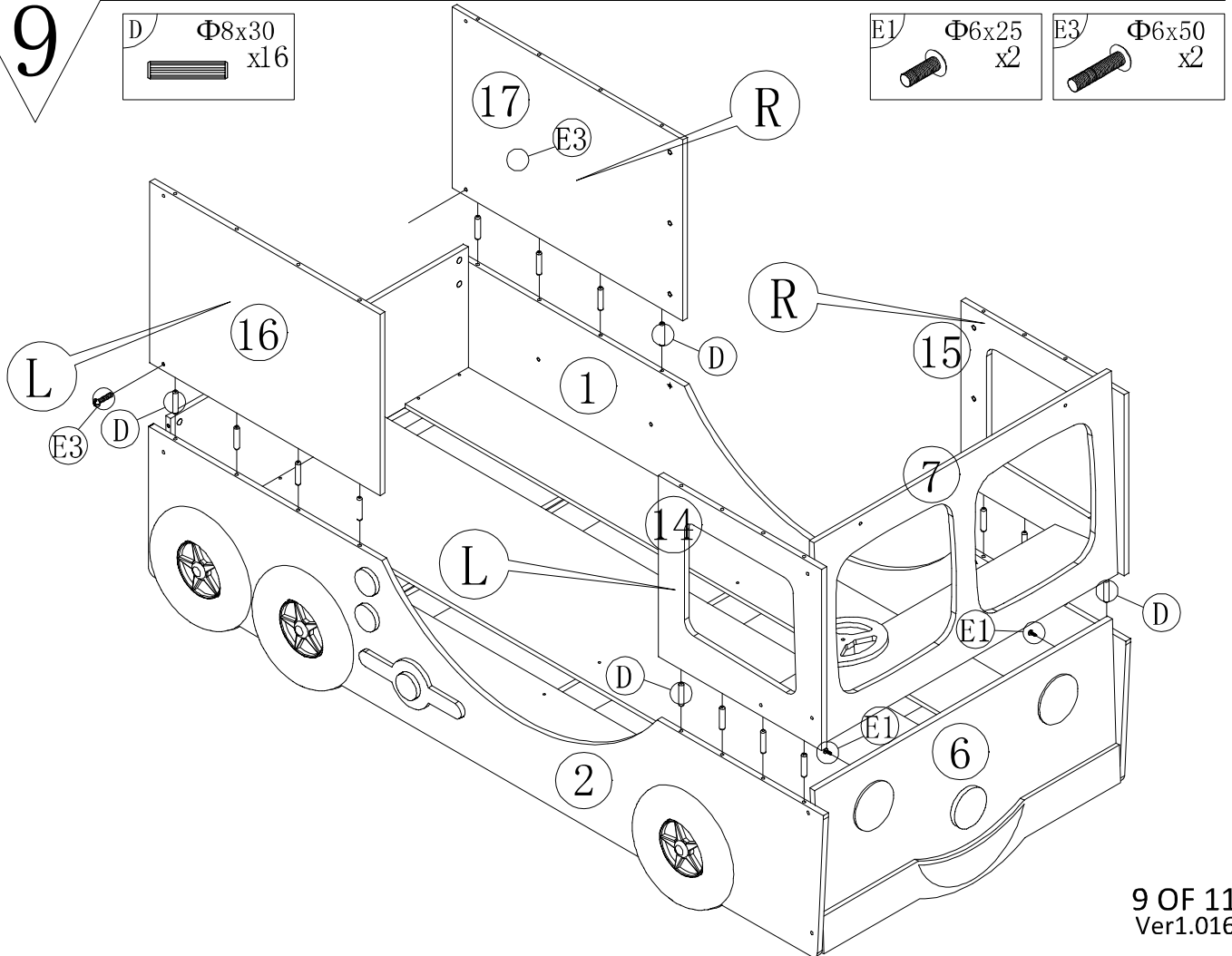


9

D  $\Phi 8 \times 30$   
x16  


E1  $\Phi 6 \times 25$   
x2  


E3  $\Phi 6 \times 50$   
x2  

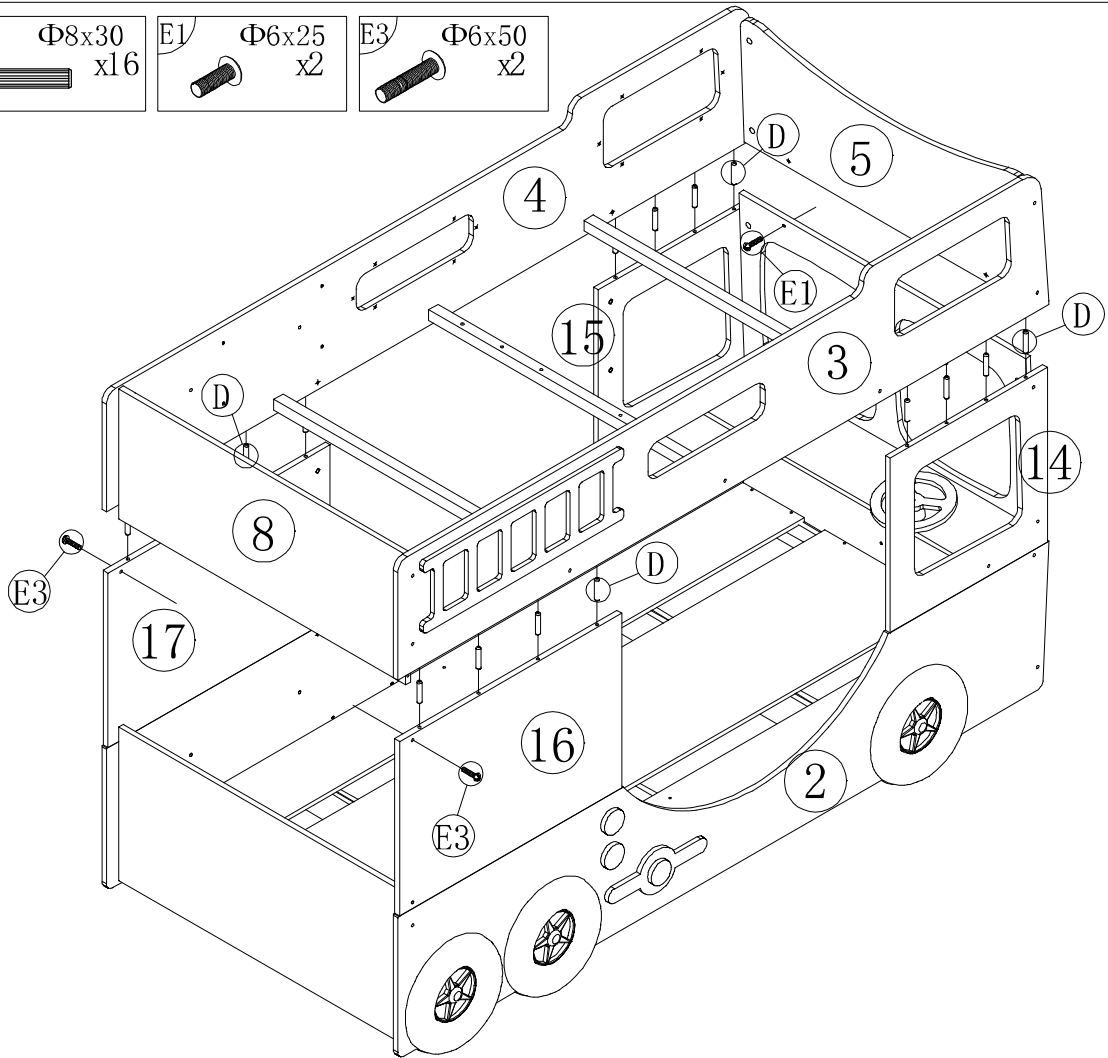



10

D  $\Phi 8 \times 30$   
x16

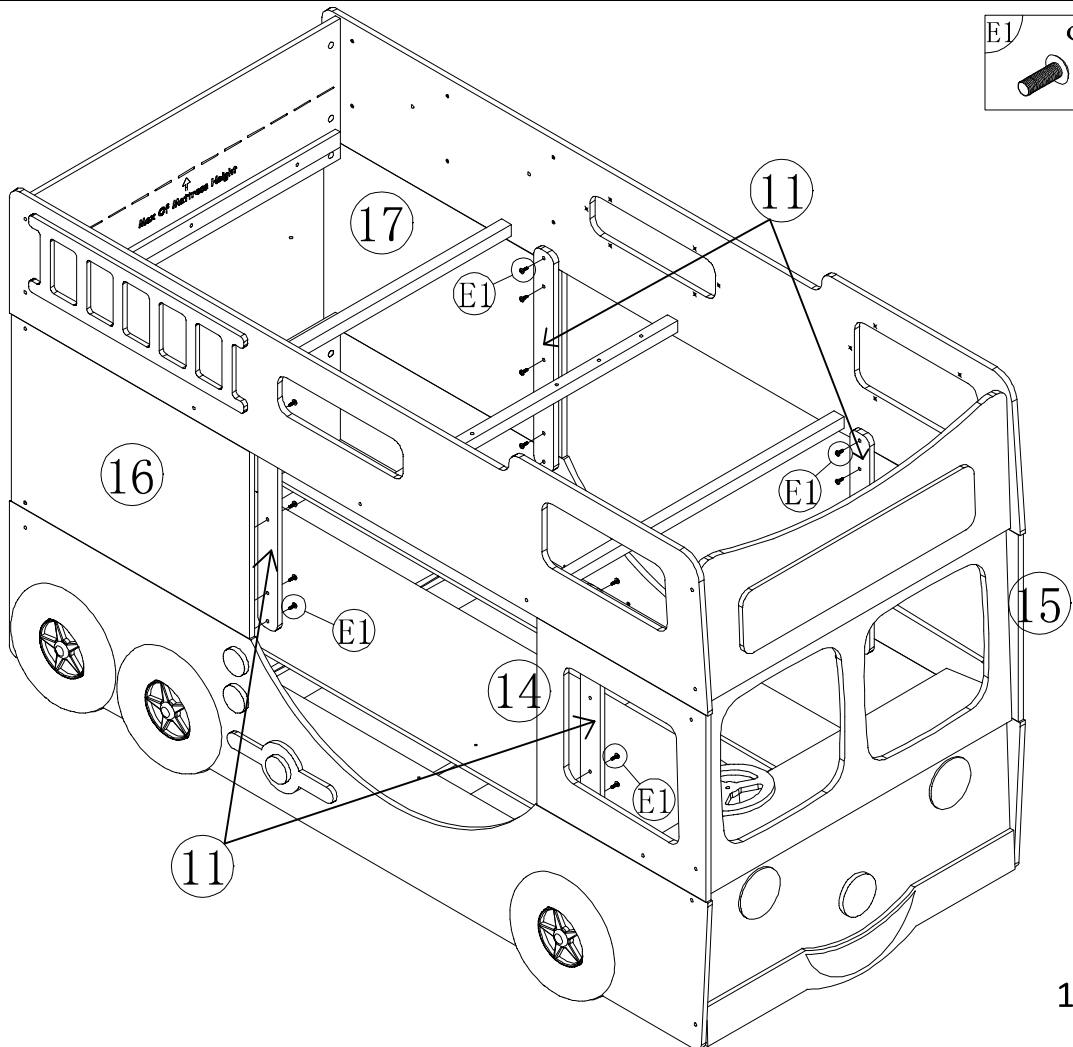
E1  $\Phi 6 \times 25$   
x2

E3  $\Phi 6 \times 50$   
x2

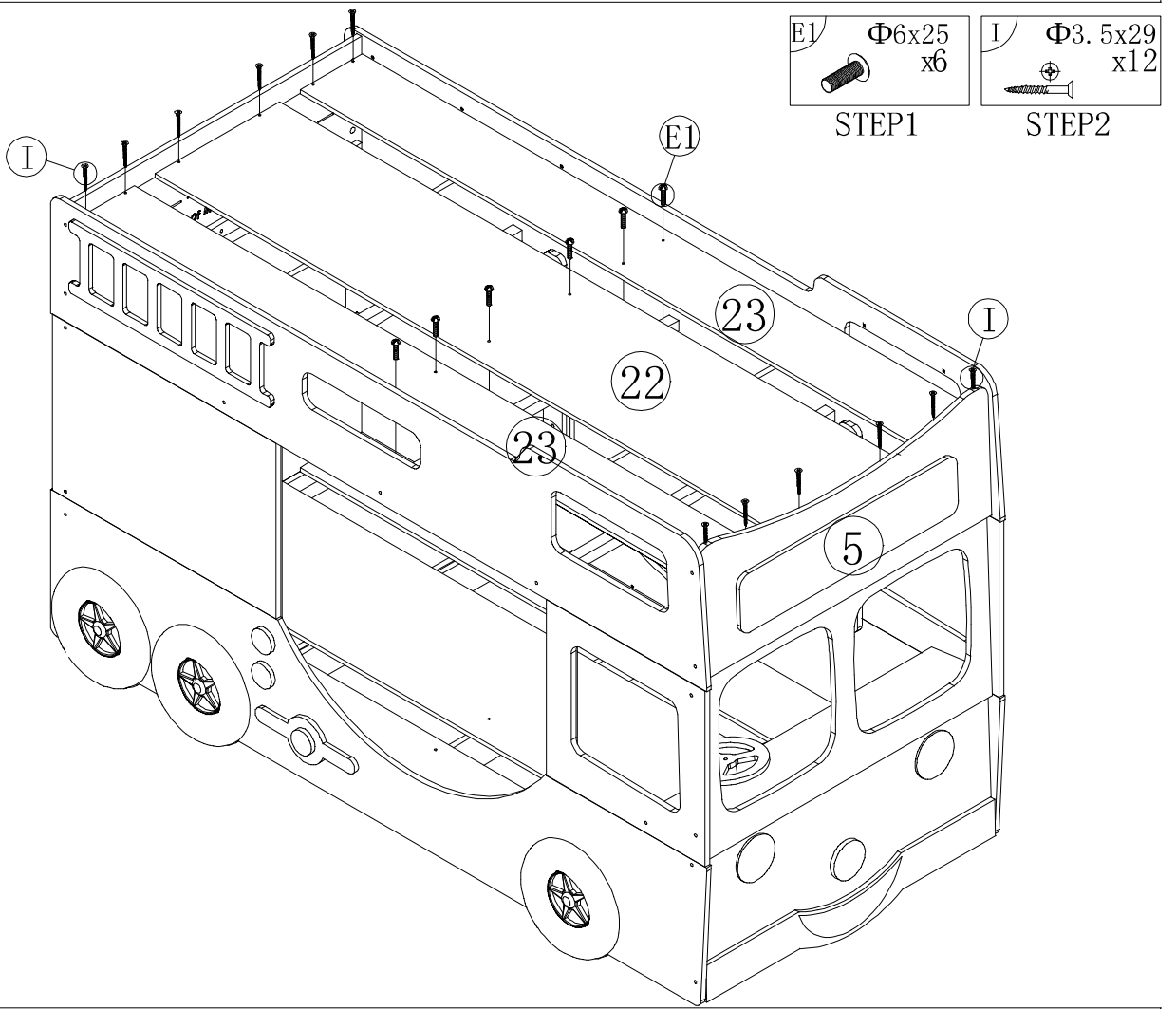


11

E1  $\Phi 6 \times 25$   
x20



12



13

