









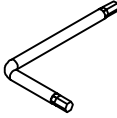
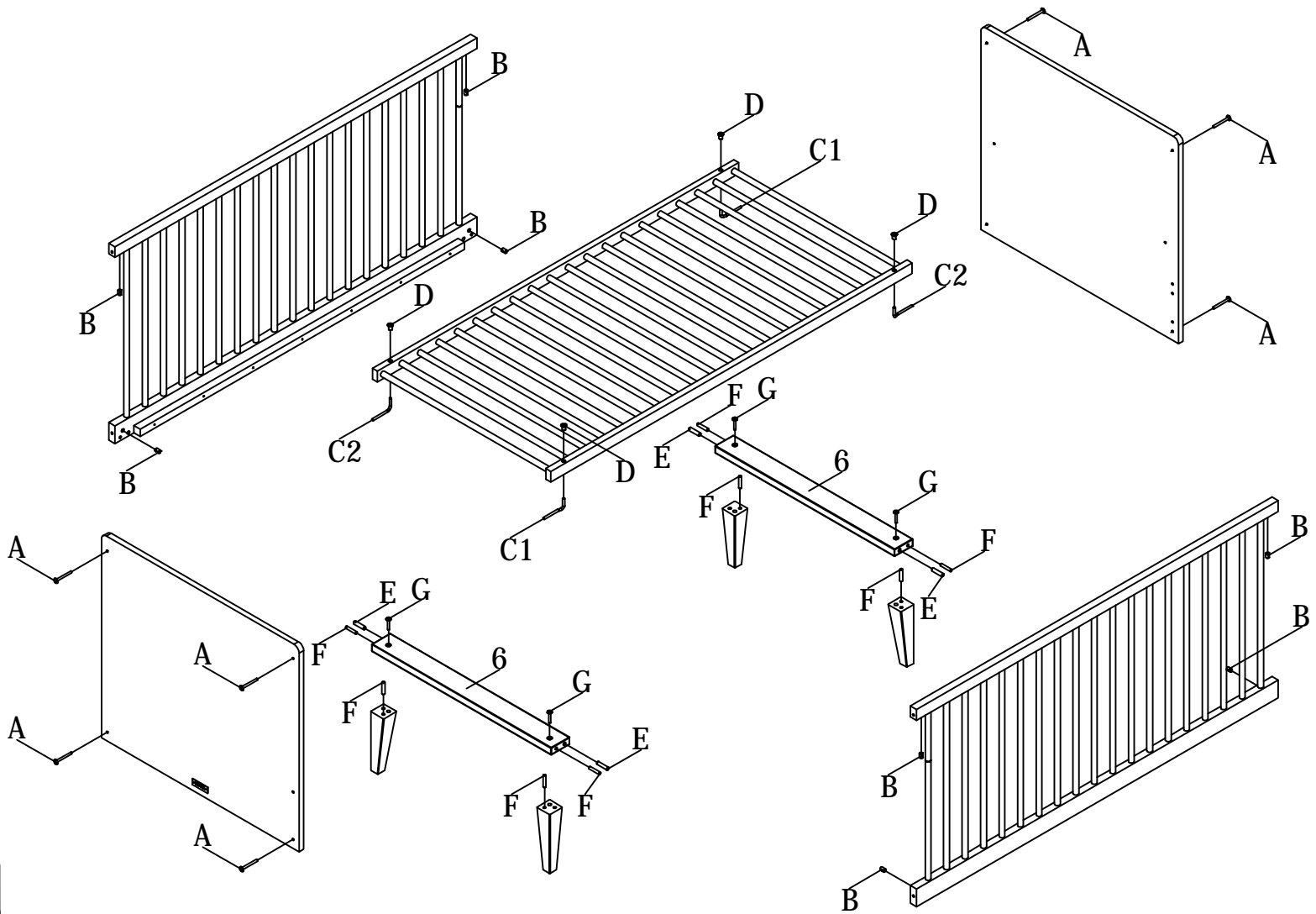
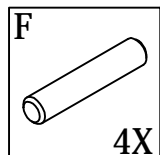
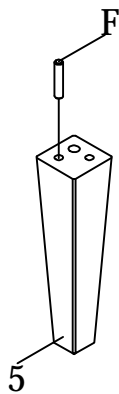




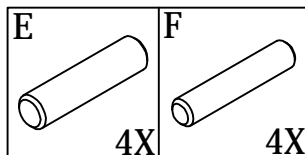
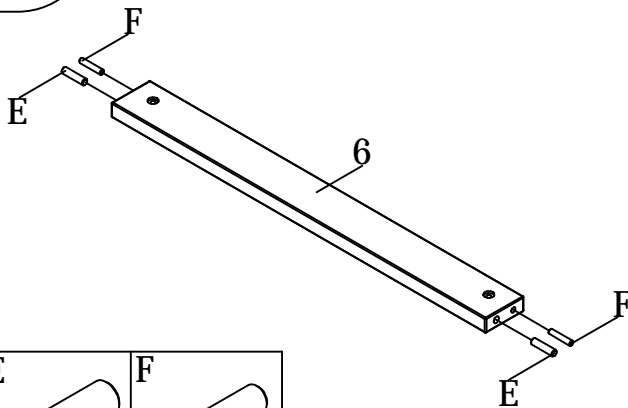
A	B	C1	C2	D	E
					
M6X60	8X	M6	8X	2X	2X
F	G	H	I	J	
					
< 8X40	8X	M6X35	4X	<< 6x30	4X
				SW4	1X
				SW5	1X



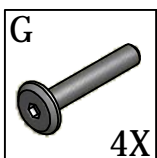
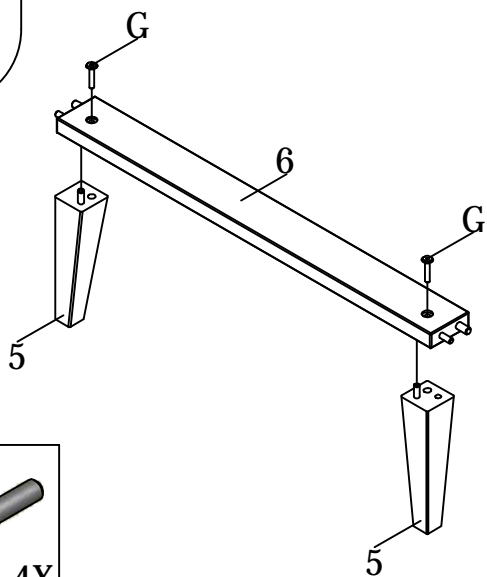
1a



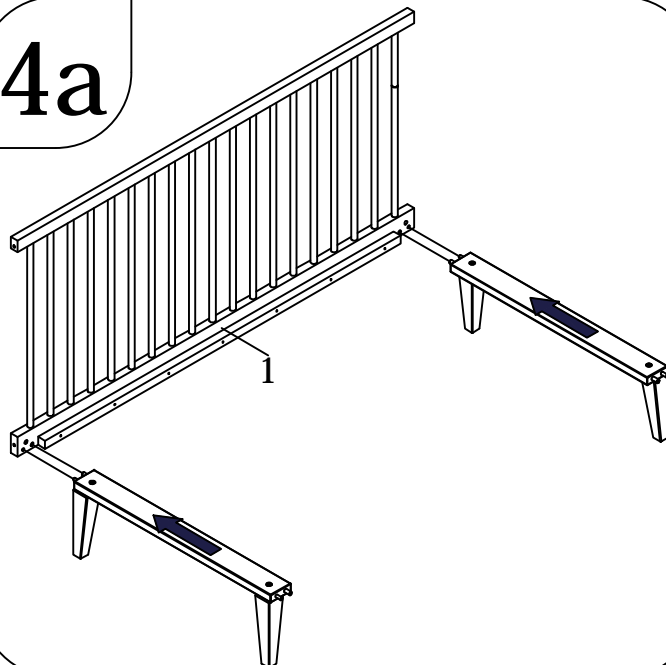
2a



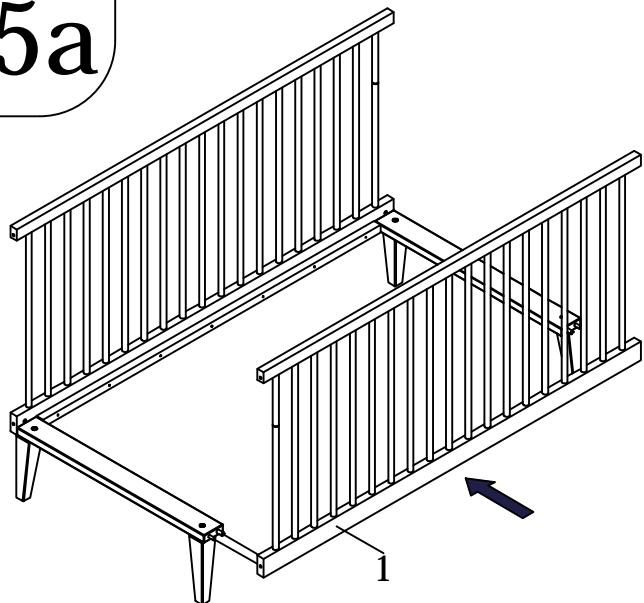
3a



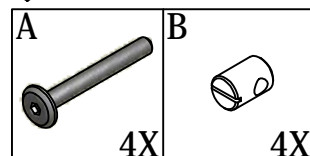
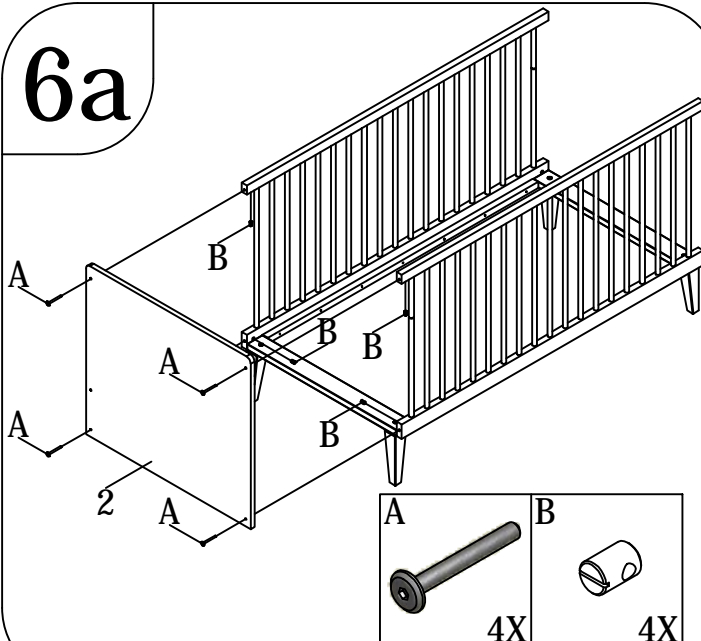
4a



5a

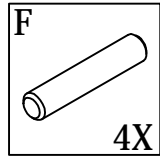
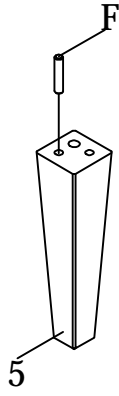


6a

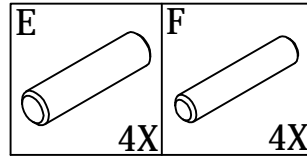
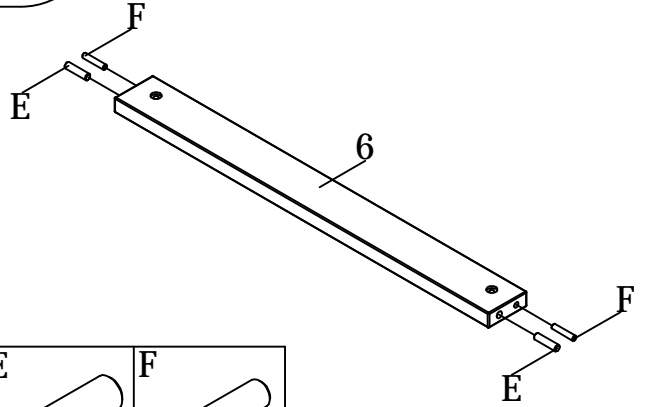




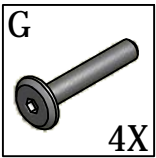
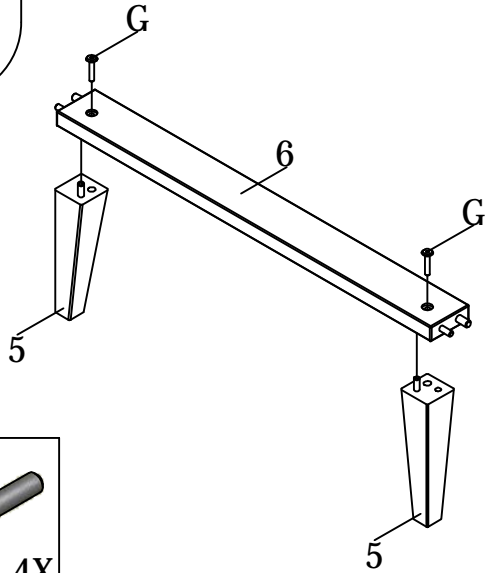
# 1b



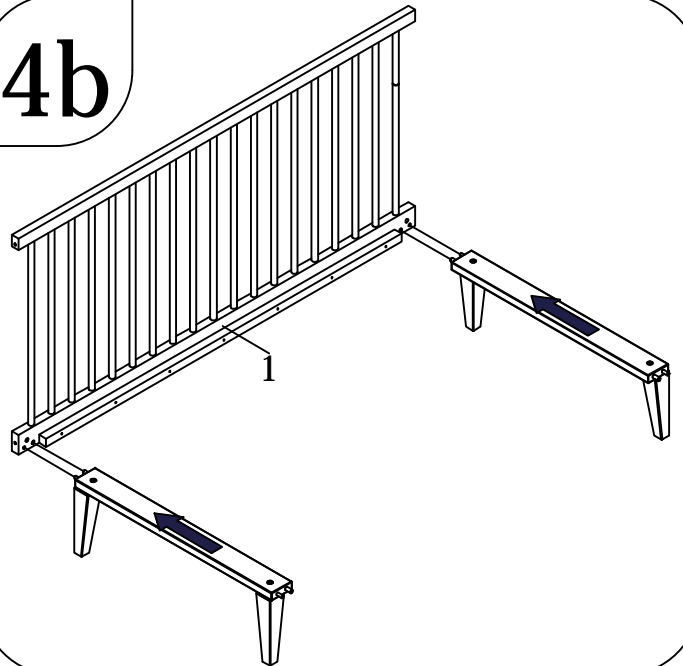
# 2b



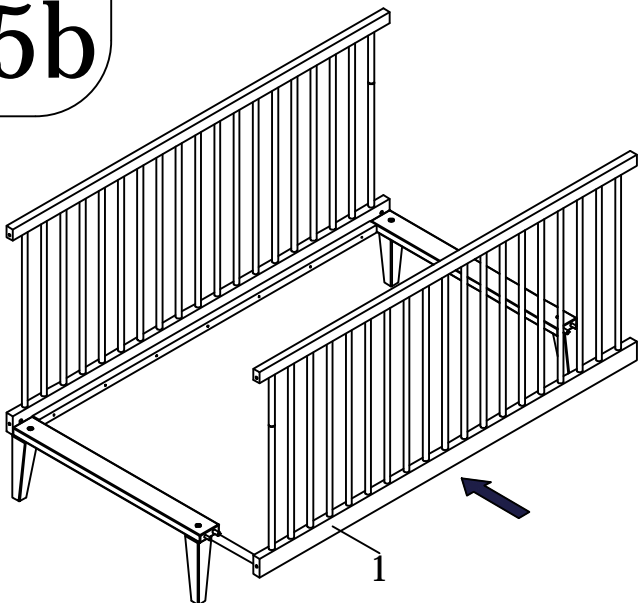
# 3b



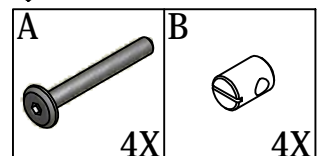
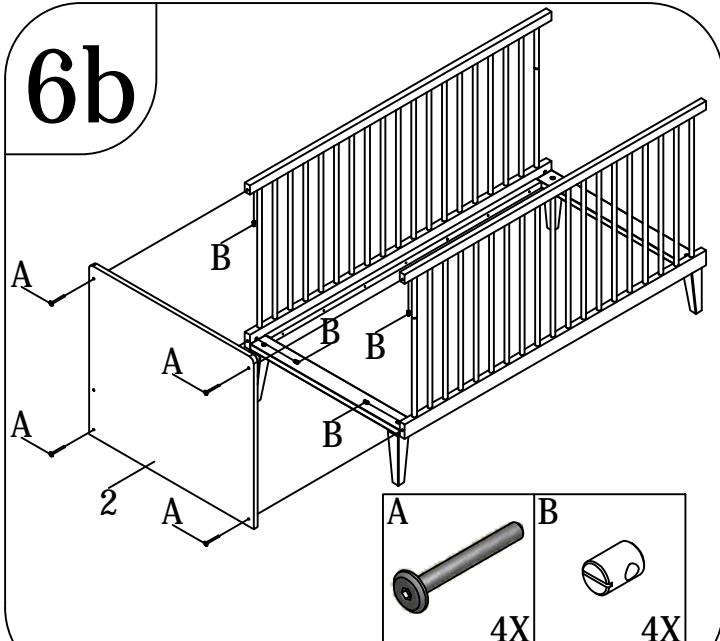
# 4b



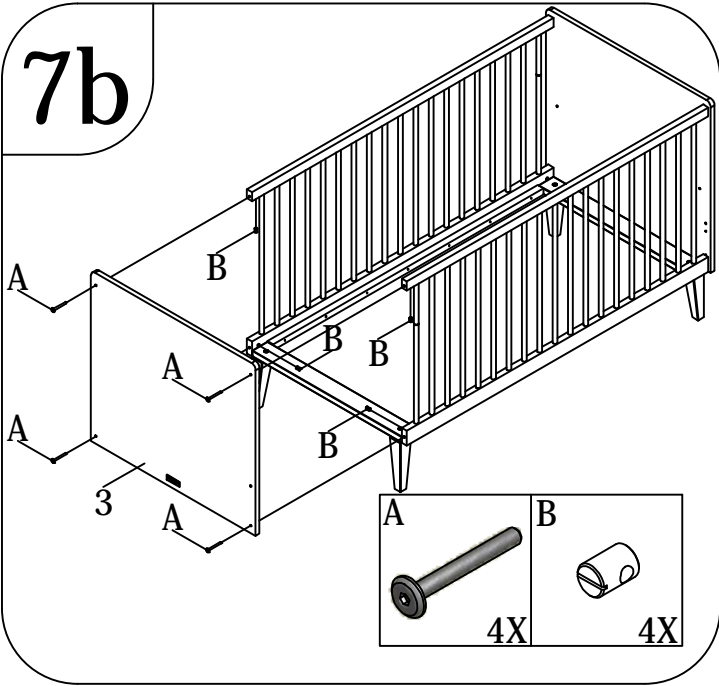
# 5b



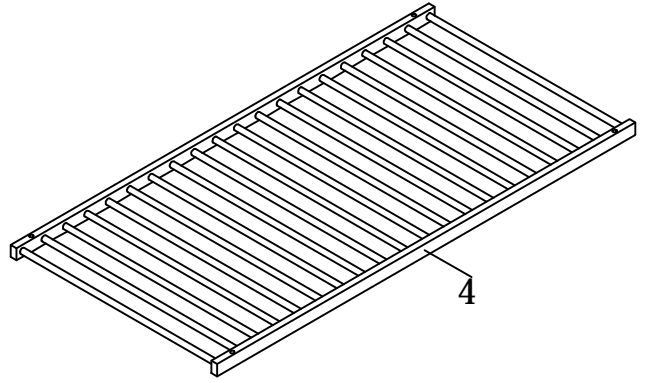
# 6b



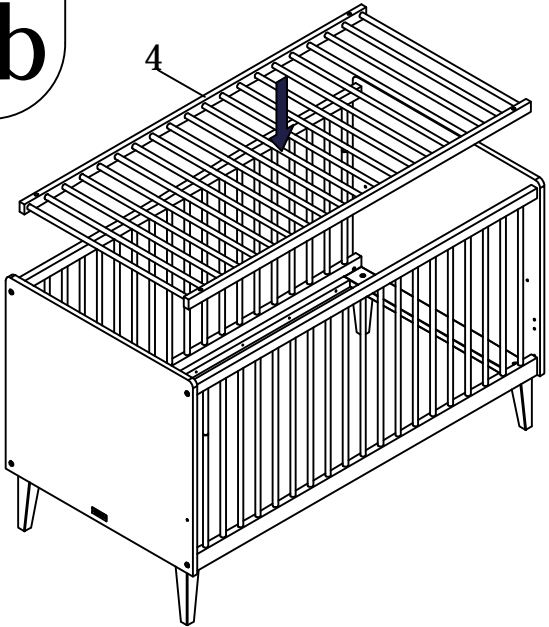
7b



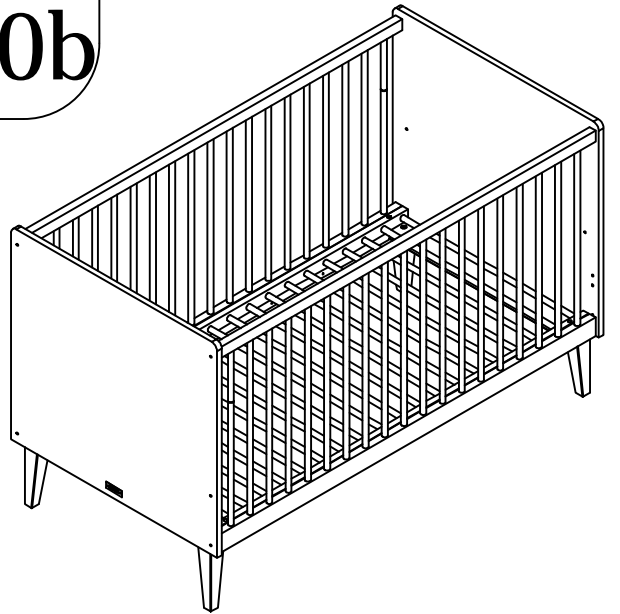
8b



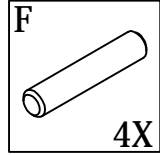
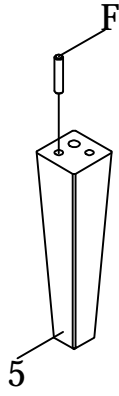
9b



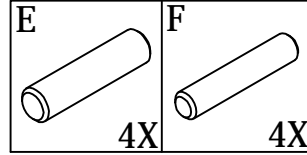
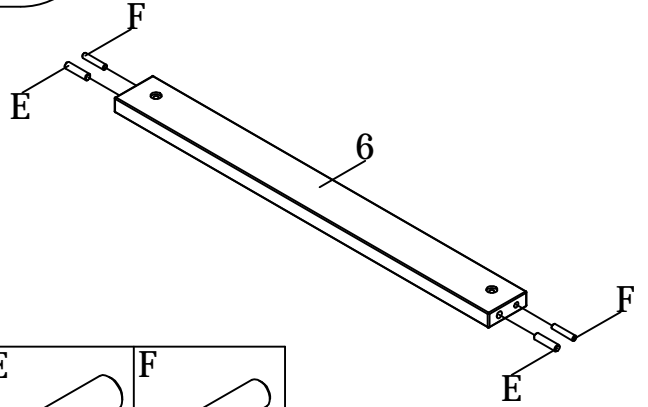
10b



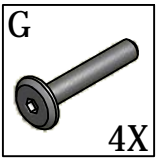
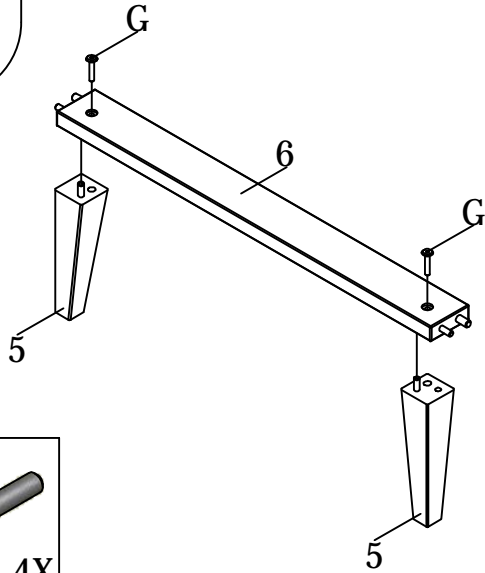
1c



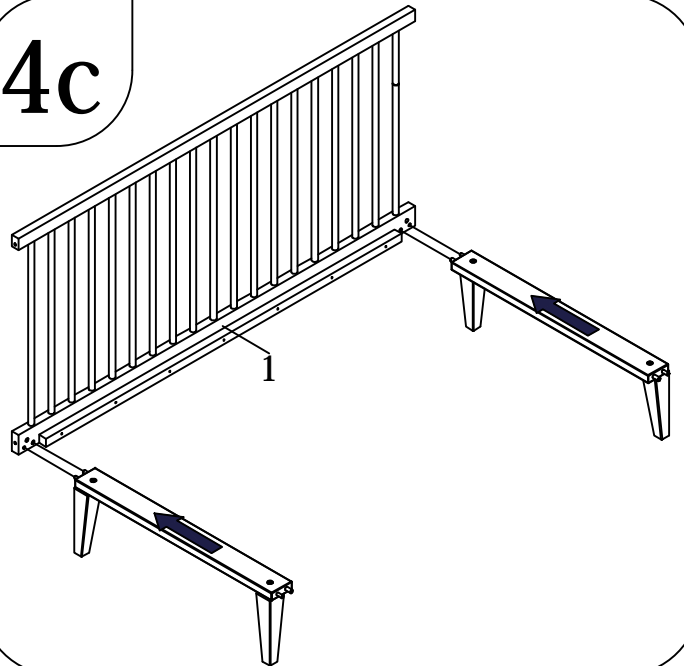
2c



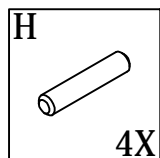
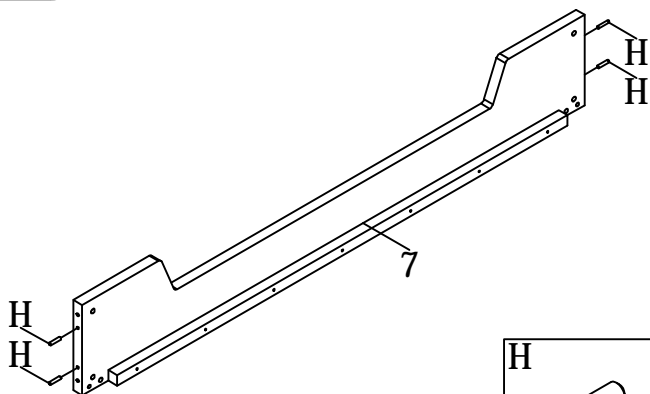
3c



4c



5c



6c

