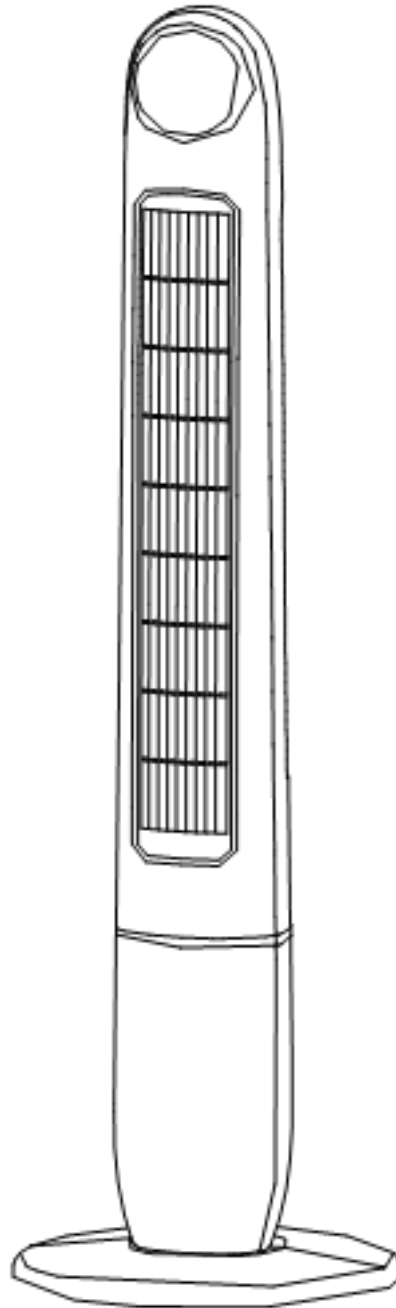
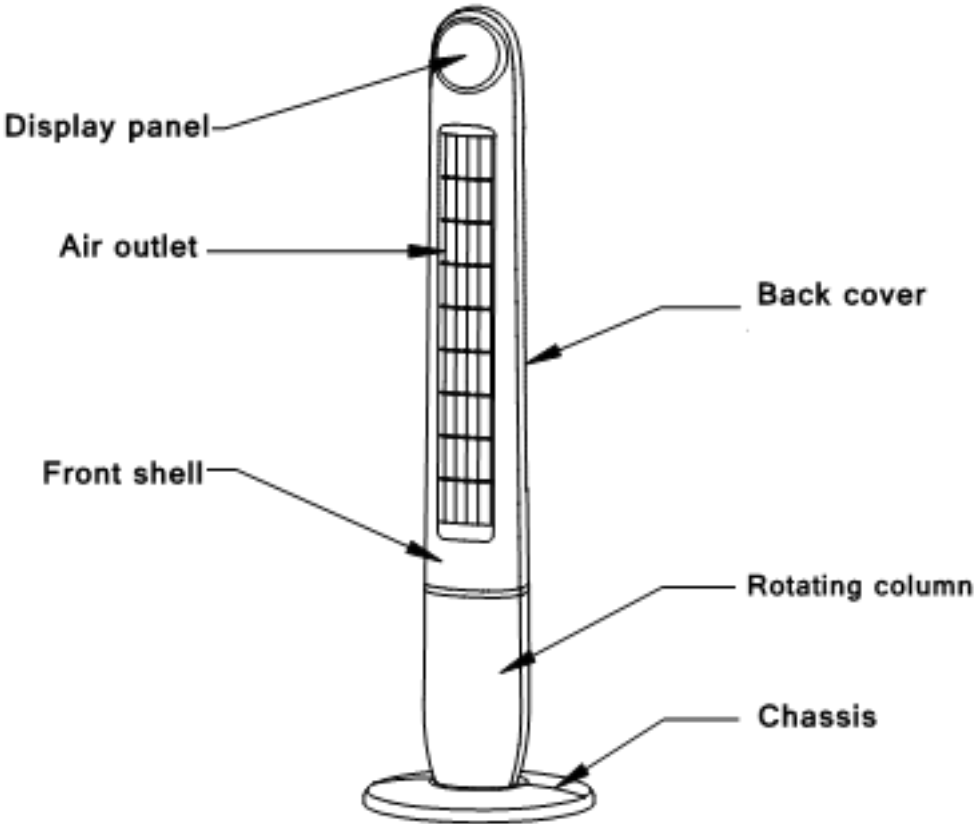


TOWER FAN MANUAL



Structure chart

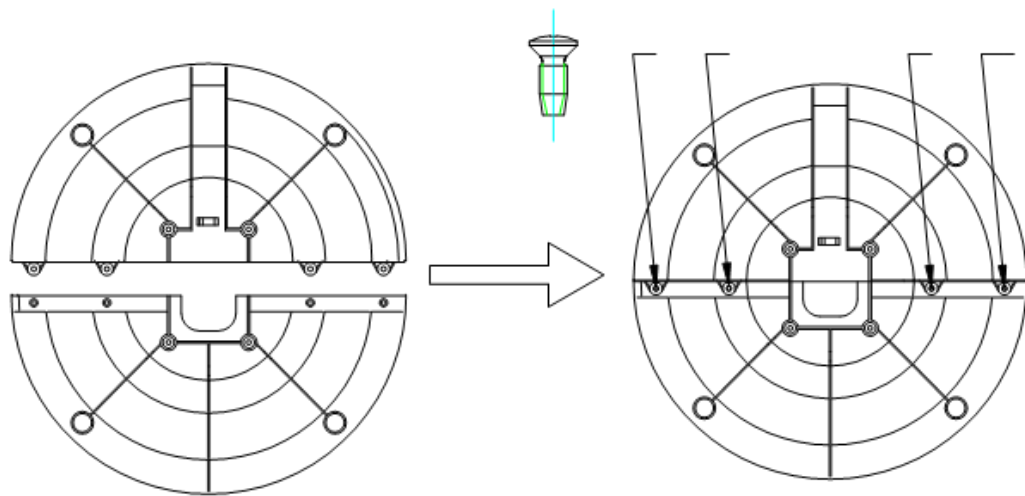


Technical parameters

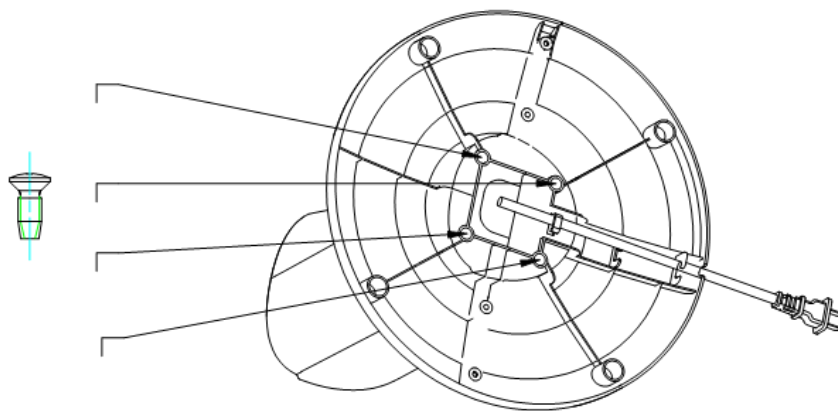
Model	Voltage	Power	Class	remark
BL-FS1-D	220-240V	50W	II	Electronic
BL-FS2-D				
BL-FS4-D				

Installation method

1. Open the packing box and place the product on a flat surface or table. Check whether the goods in the box are in line with packing list.
2. Remove two bottom plates and assemble a disk as shown. Screw the sides of the disc with four screws

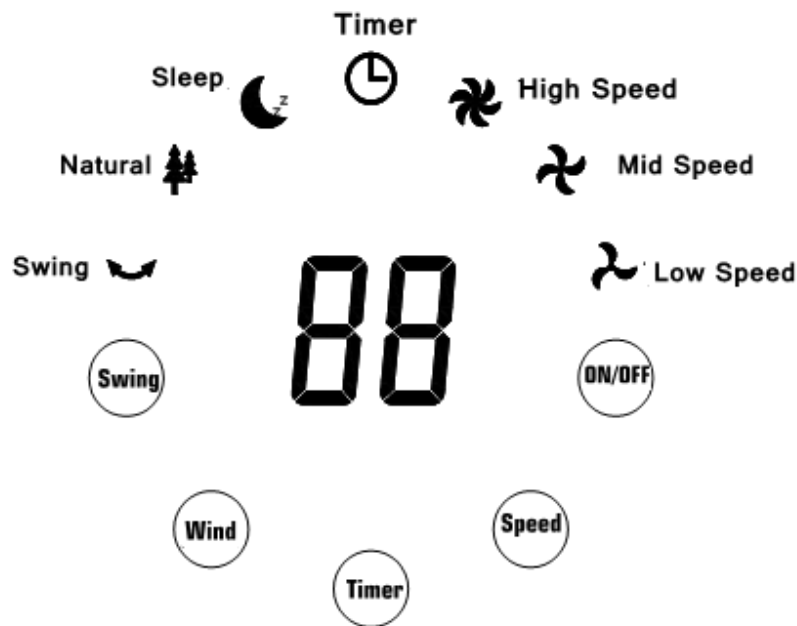


3. Pass the power cord through the bottom panel, and insert the base plate with four screws and the main body of the product.



Usage

1. Electronic mode of use



- a. Plug it in. The buzzer emits a "di" and the digital screen displays the ambient temperature. Product stands by.
- b. ON/OFF :press the first time, product the first plastic seal the normal way to send the wind, the first plastic seal icon bright. By the second time, the product is reworking.
- c. Speed: Press this piece to choose medium-speed wind - high speed wind - low - speed wind.

- d. Wind: You can choose the sleep wind - natural wind - normal wind.
- e. Timer: 12-hour time.
- f. Swing: The left or right direction is automatically sent off.
- g. Remote control: Please take the diaphragm before use.

Attention

1. Remove the protective case and ensure that the product is disconnected from the power supply.
2. Away from the fire source.
3. It is forbidden to use in places where serious dust is found.
4. Products can not be placed in high temperature and low temperature.
5. The use of wire and other foreign objects shall be prohibited to insert any pores in this product, Avoid electric shock or damage to the product.
6. It is forbidden to immerse the product in water and prohibit spraying water or water.
7. If any abnormality occurs during the use of this product,

please immediately shutdown and remove the power cord plug and send it to repair.

Clean, maintain and store

1. Clean the shell

Unplug the power and gently wipe with a cloth.

Do not use alcohol, gasoline, banana water and other solvent cleaning.

2. Product storage

Clean the product and put it in the carton, and place it in the shade.

The packing list

Name	Number	Baseboard	Mounting screw	Manual	Remote
------	--------	-----------	----------------	--------	--------

BL-FS1-D					
BL-FS2-D	1	2 set	8pcs	1pcs	1pcs
BL-FS4-D					