

JBL® CLUB SPEAKERS



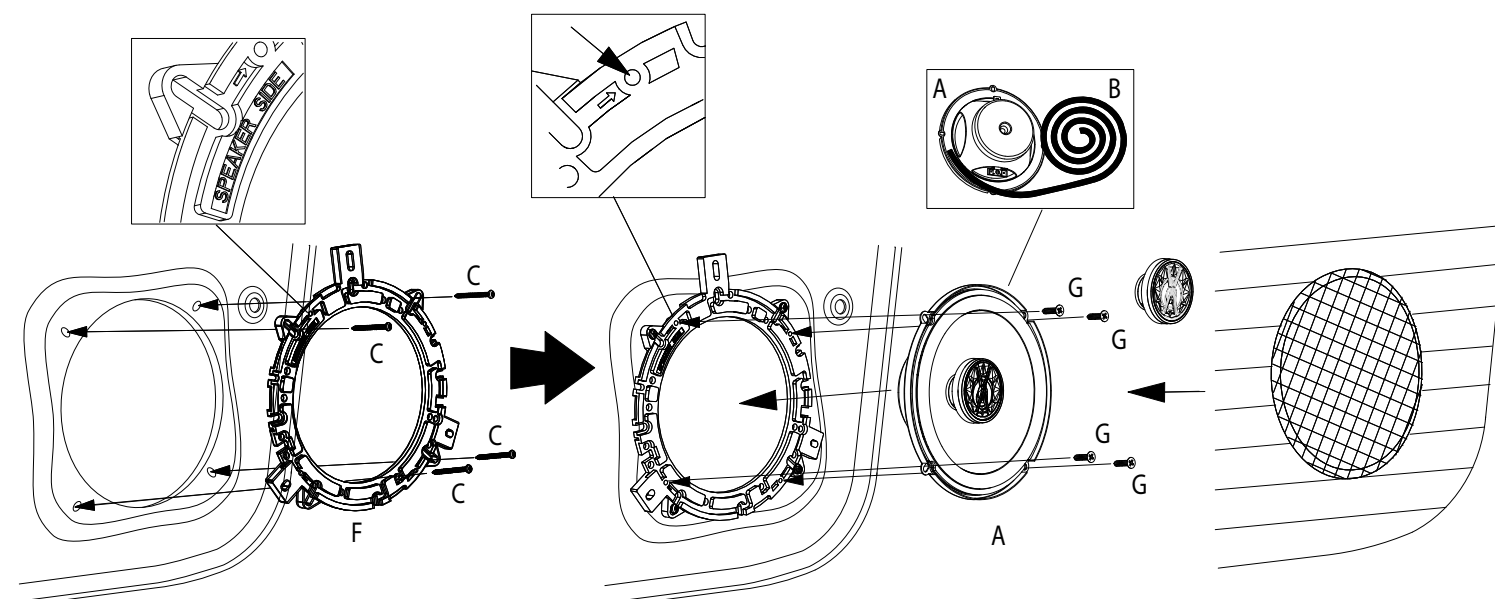
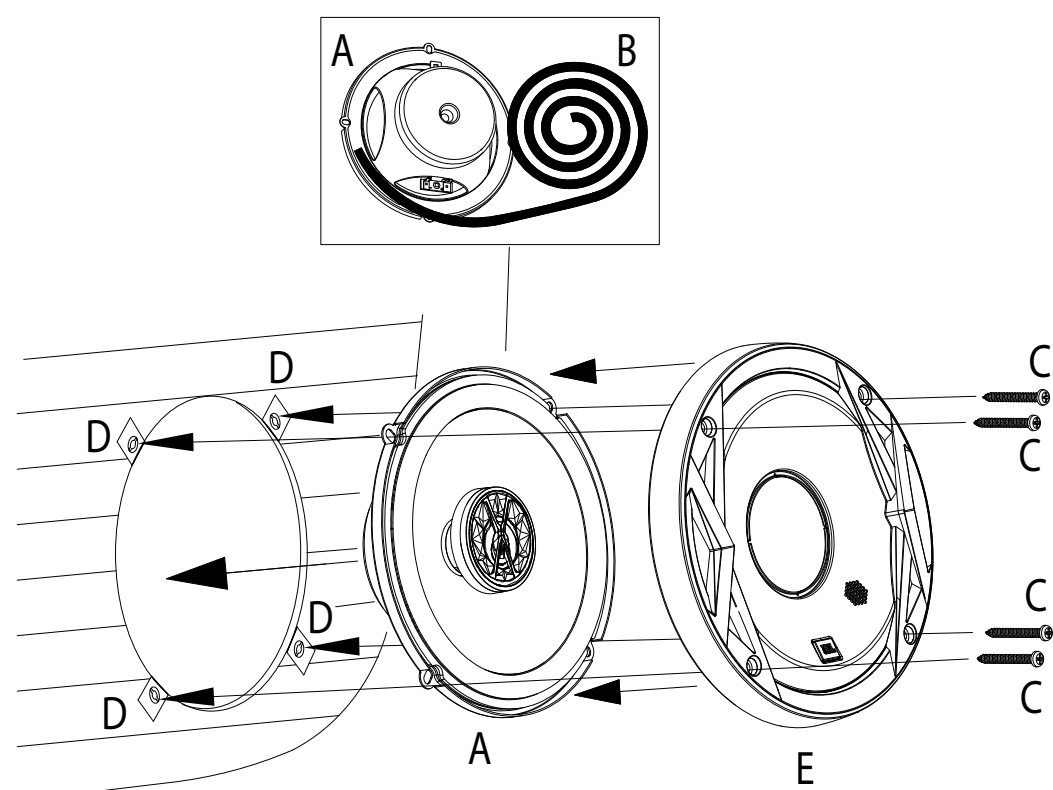
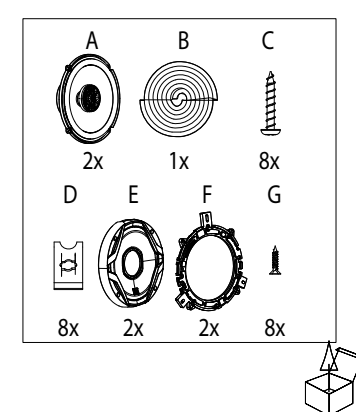
by HARMAN

Car Audio Speaker
 Haut-parleur audio automobile
 Altavoz de audio para automóvil
 Alto-falante automotivo
 Fahrzeuglautsprecher
 Diffusore Car Audio
 Autoluidspreker
 Bilstereohøytaler
 Autokaiutin
 Автомобильный динамик
 Bilhögtalare
 Bilhöjtaler
 カーオーディオ・スピーカー
 Głośnik samochodowy
 카오디오 스피커
 车载扬声器
 汽車音響喇叭
 Speaker Audio Mobil
 Araba Ses Hoparlörü

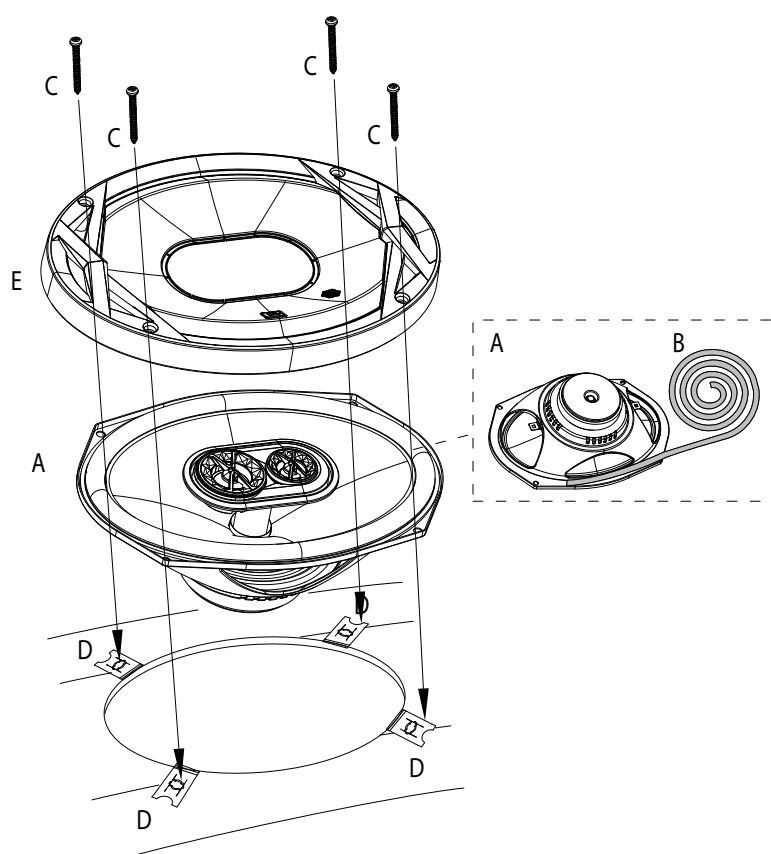
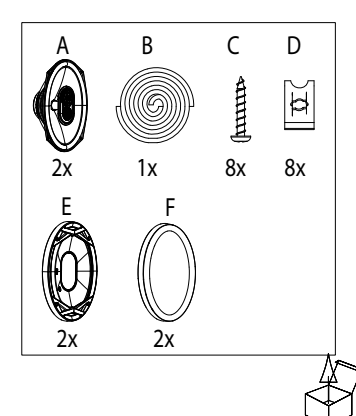


Installation manual
 Manuel d'installation
 Manual de instalación
 Manual de instalação
 Installationshandbuch
 Manuale d'installazione
 Installatiehandleiding
 Installasjonsveiledning
 Asennusopas
 Руководство по установке
 Installationsanvisning
 Installationsmanual
 設置マニュアル
 Instrukcja instalacji
 설치 설명서
 安装手册
 安裝手冊
 Panduan instalasi
 Kurulum kılavuzu

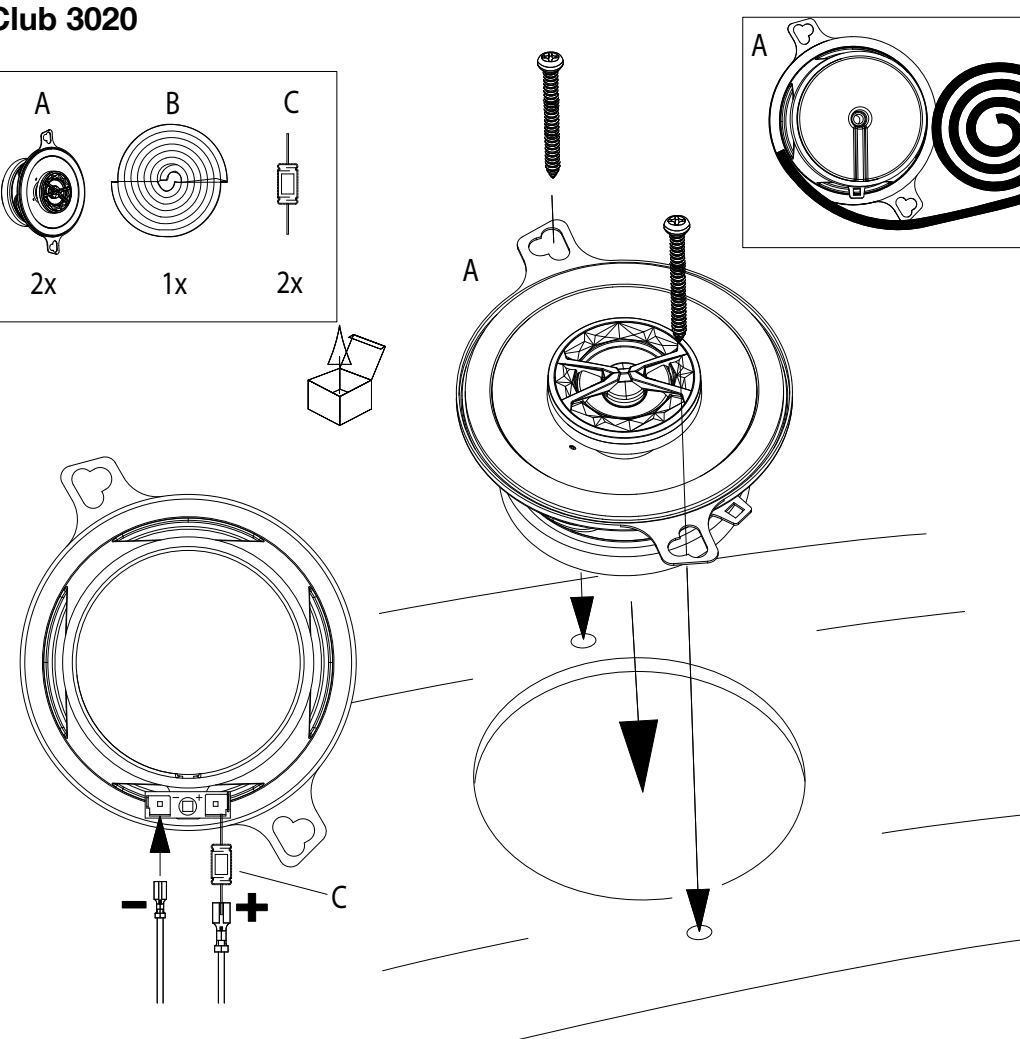
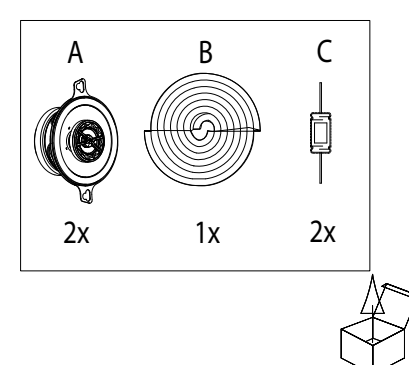
CLUB 6520



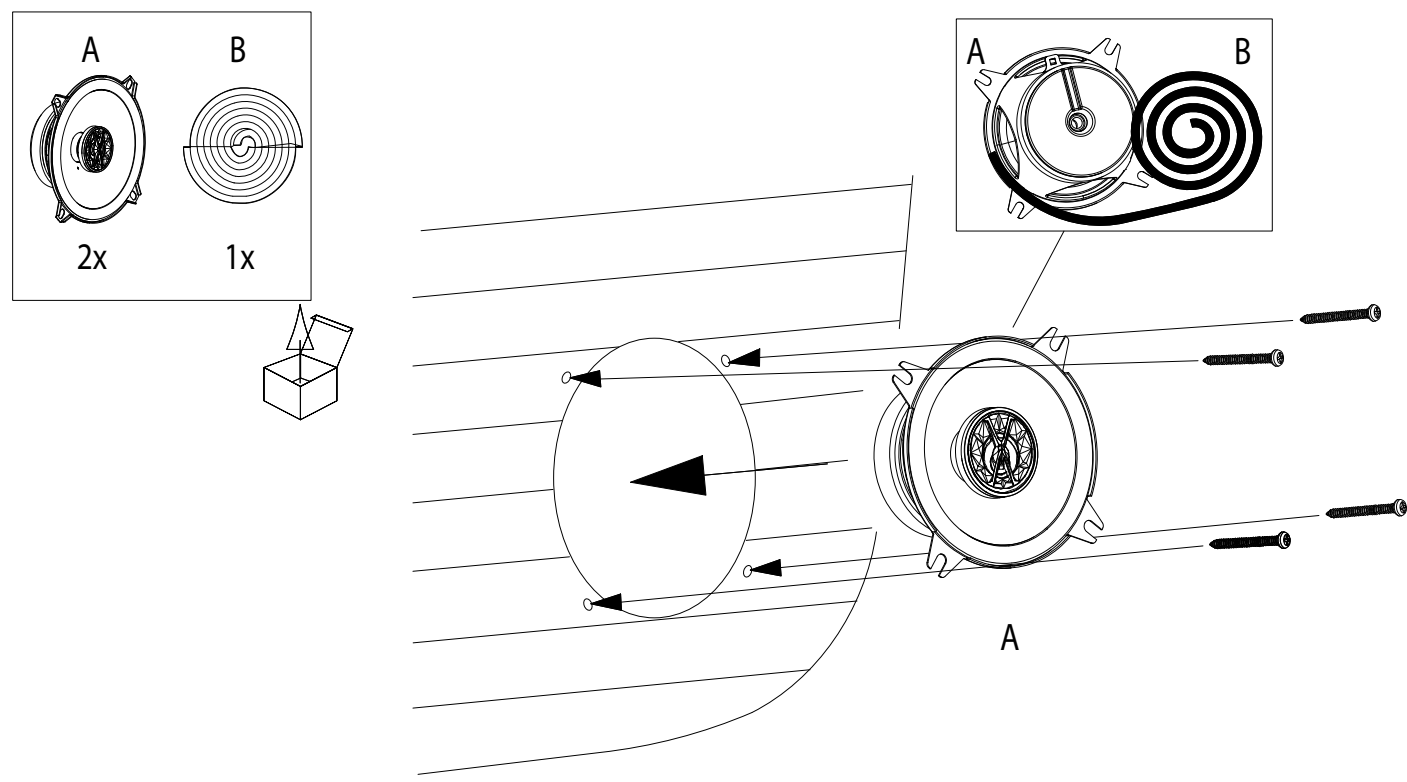
CLUB 9630



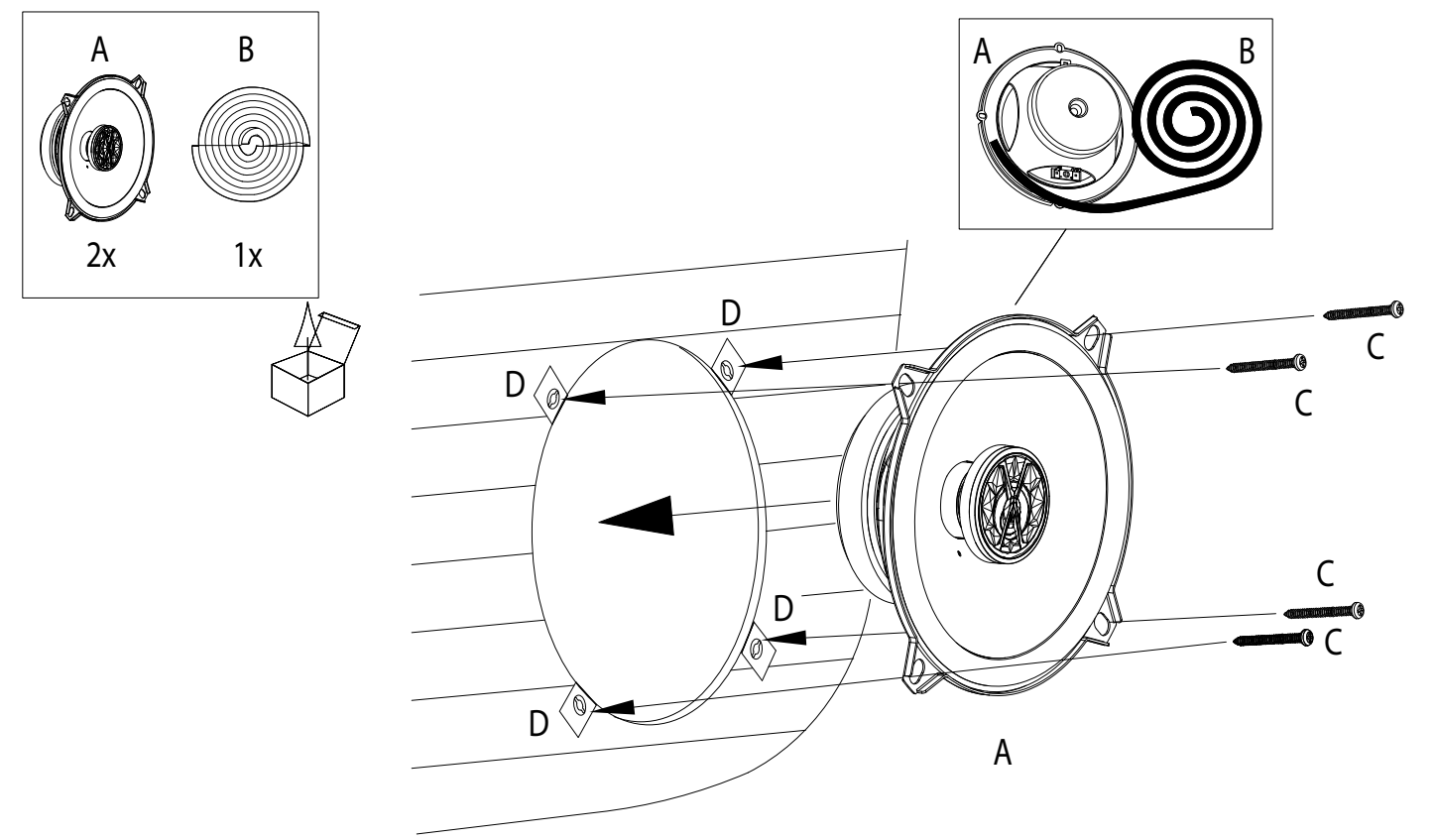
Club 3020



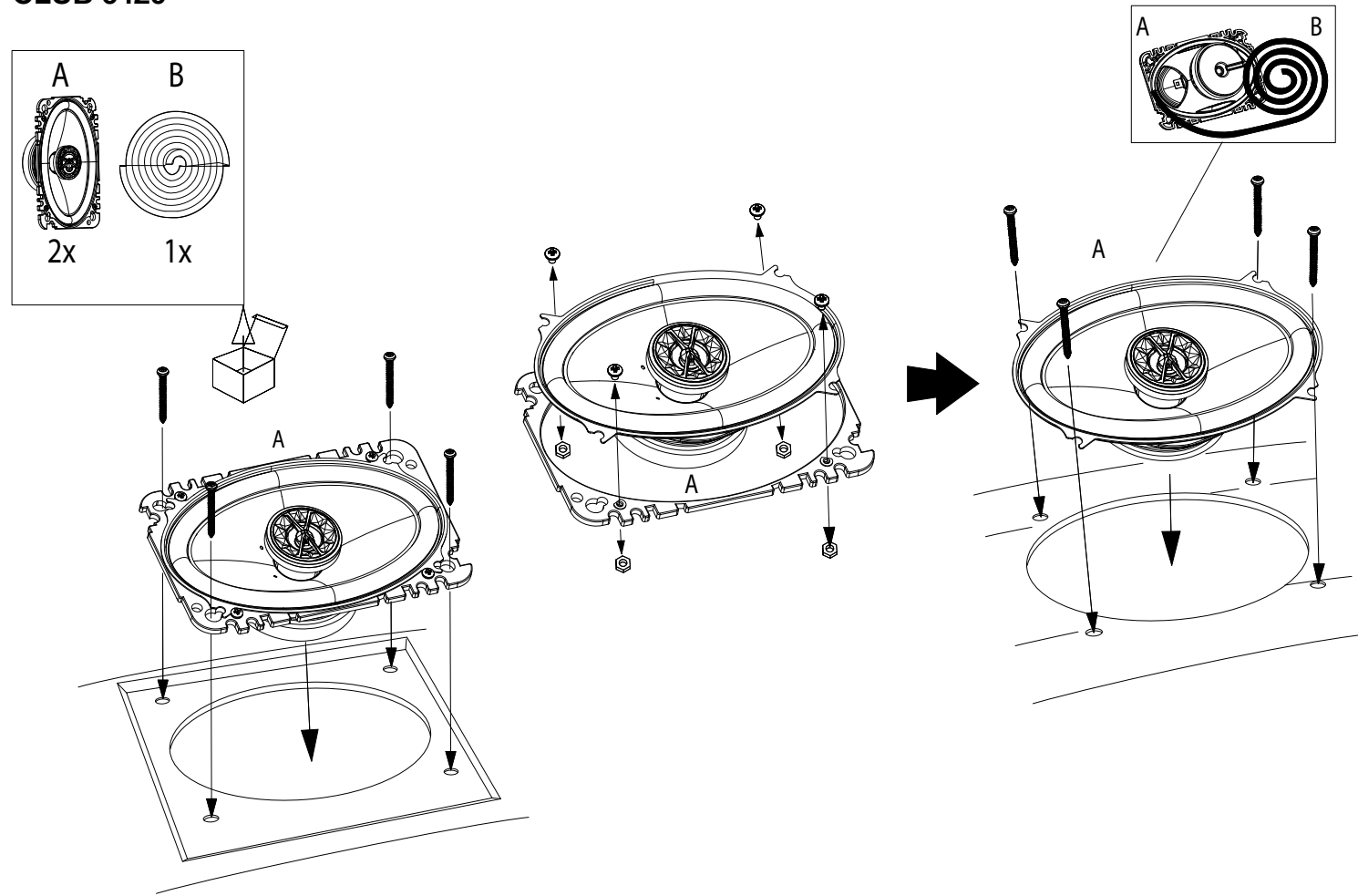
CLUB 4020



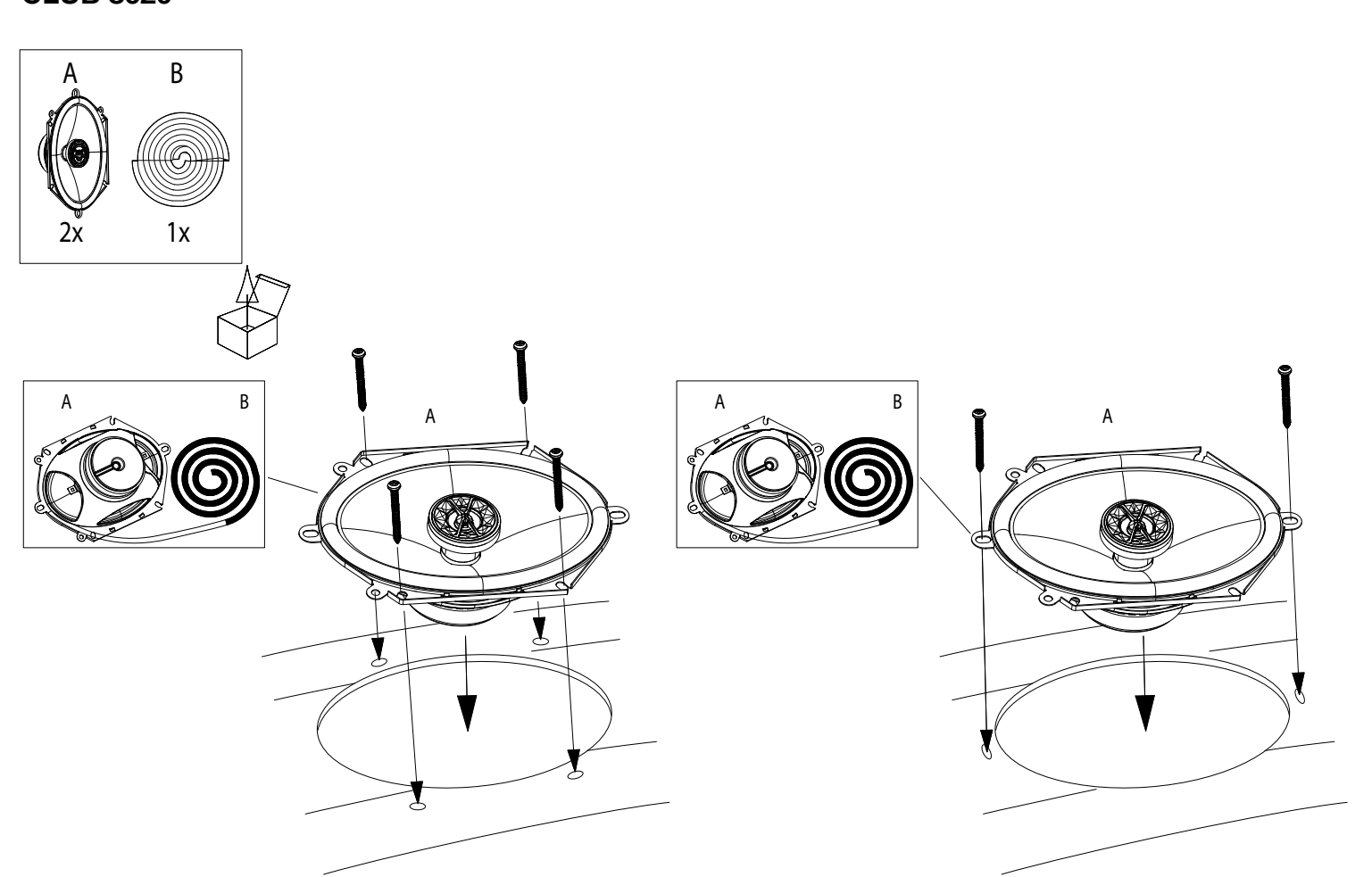
CLUB 5020



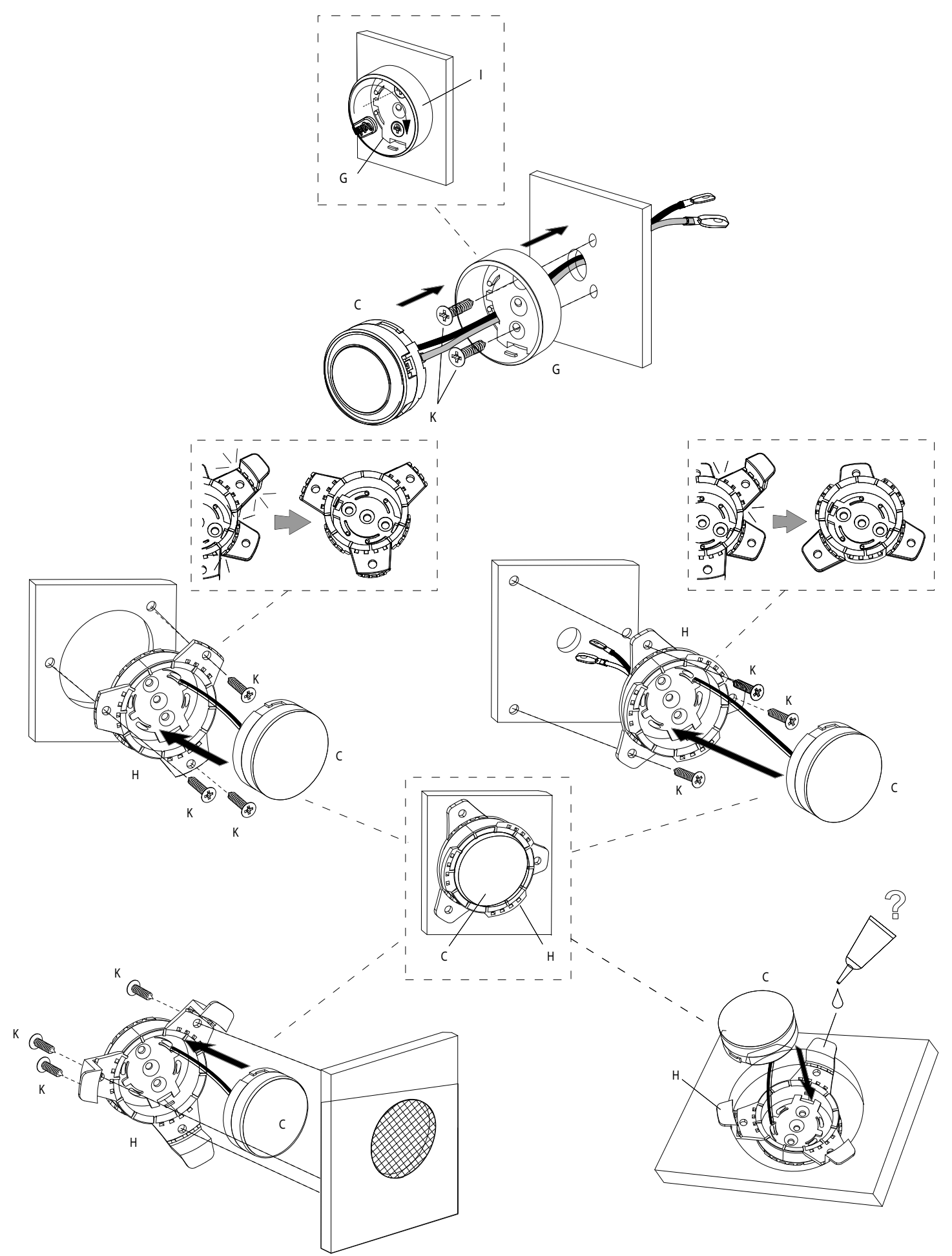
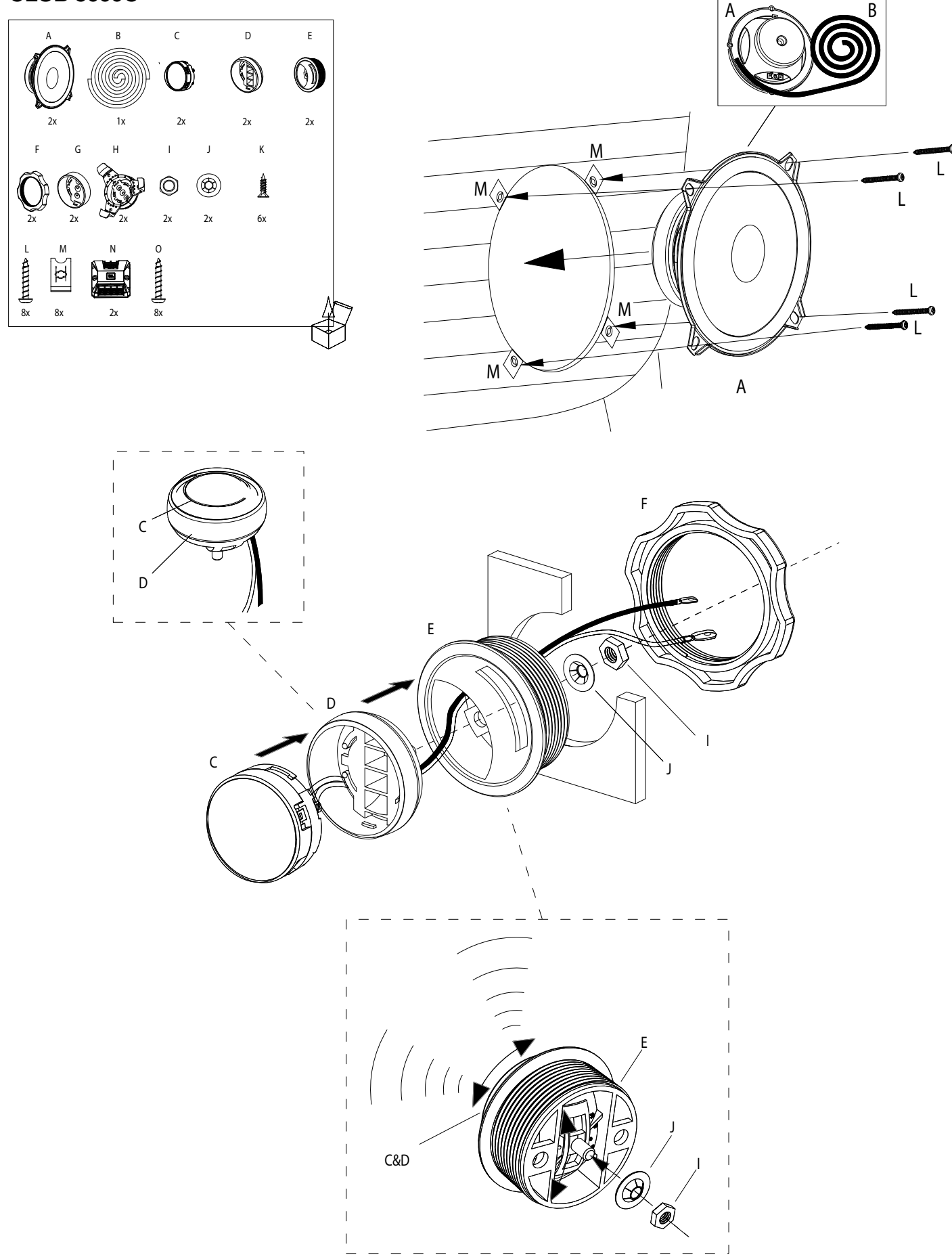
CLUB 6420



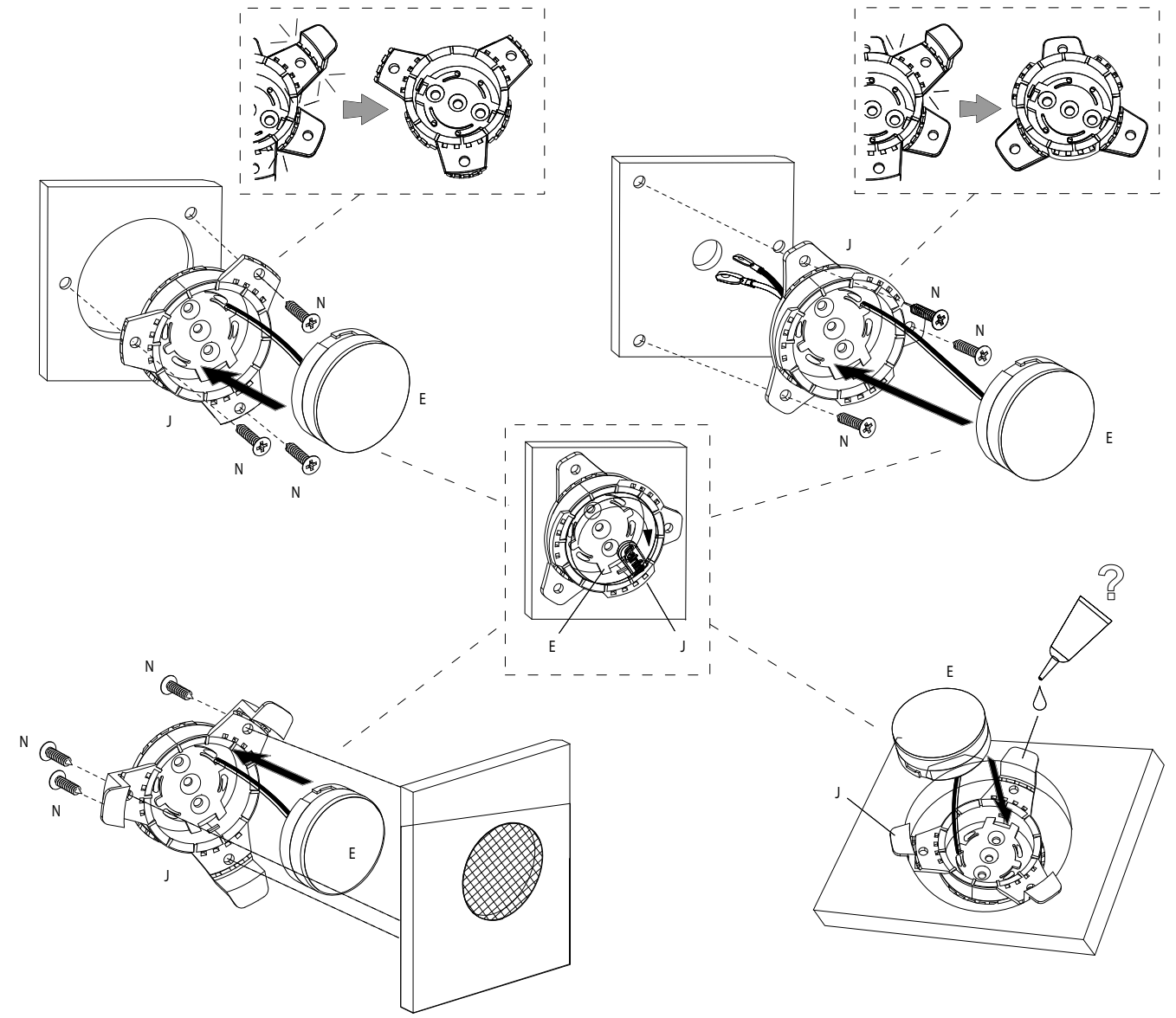
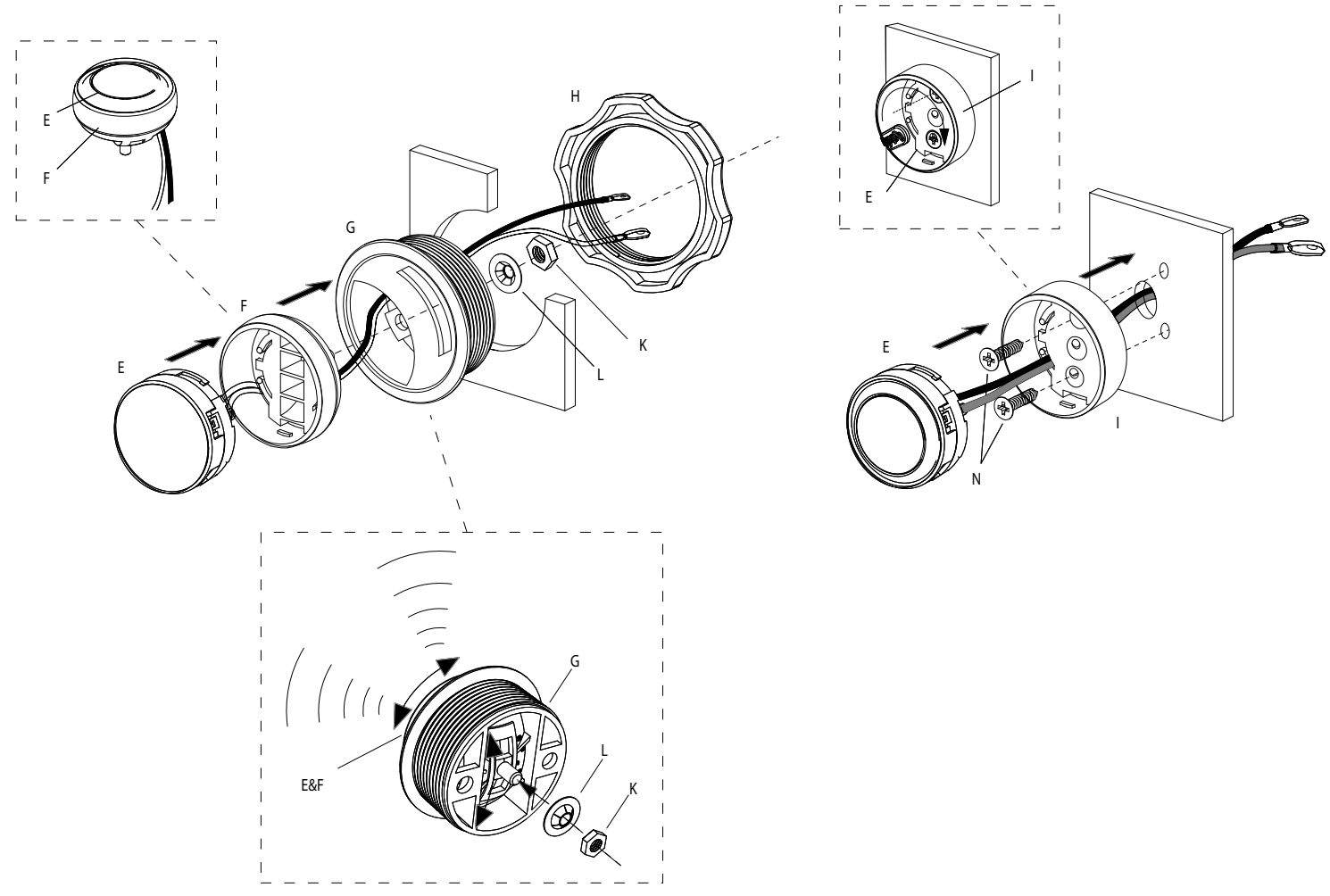
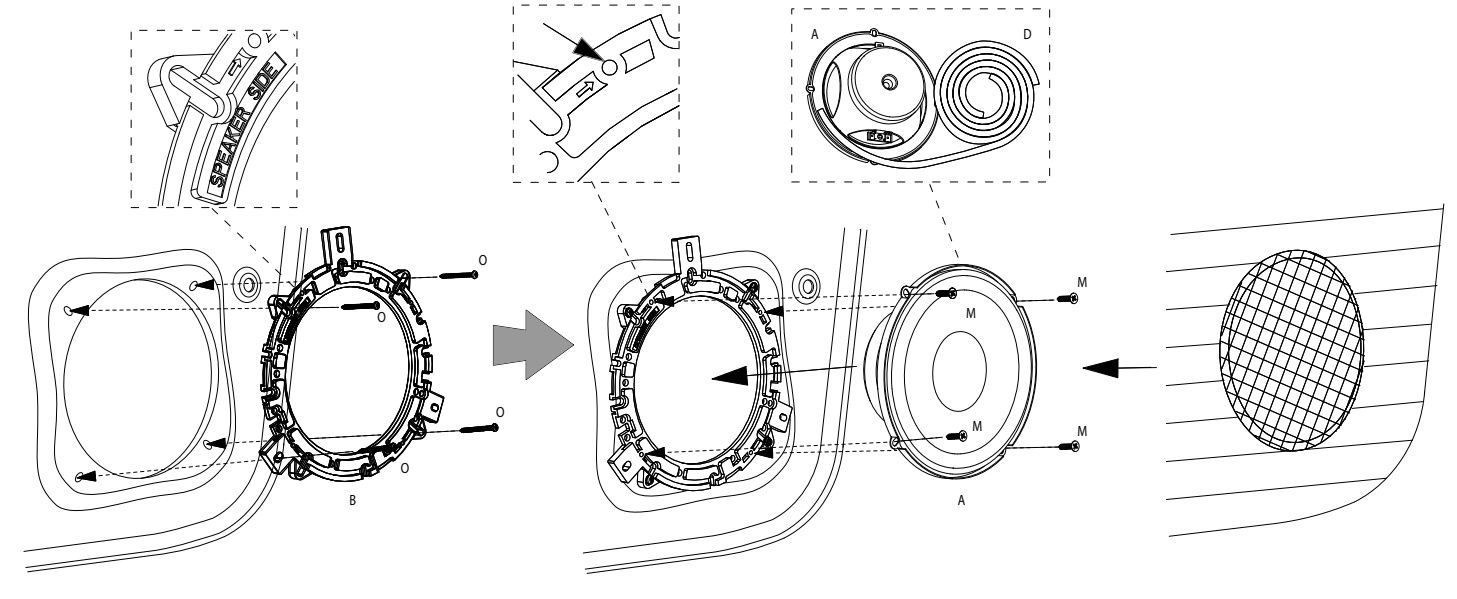
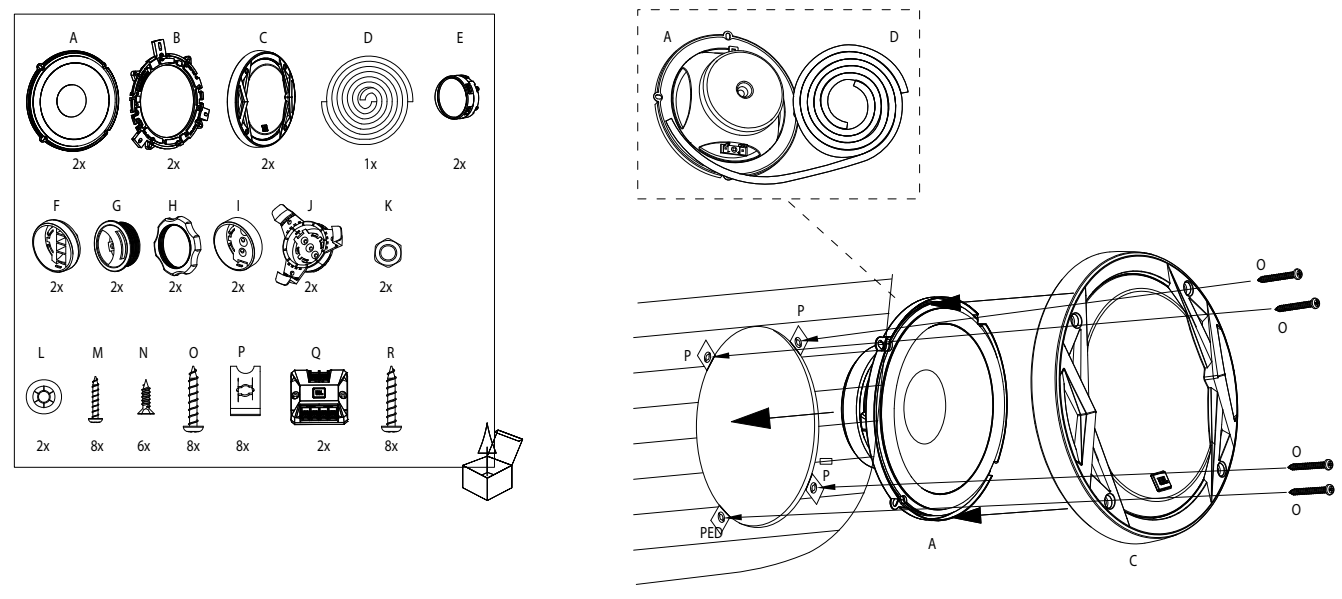
CLUB 8620



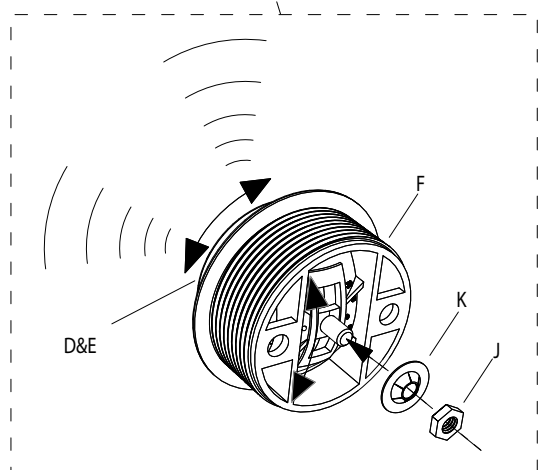
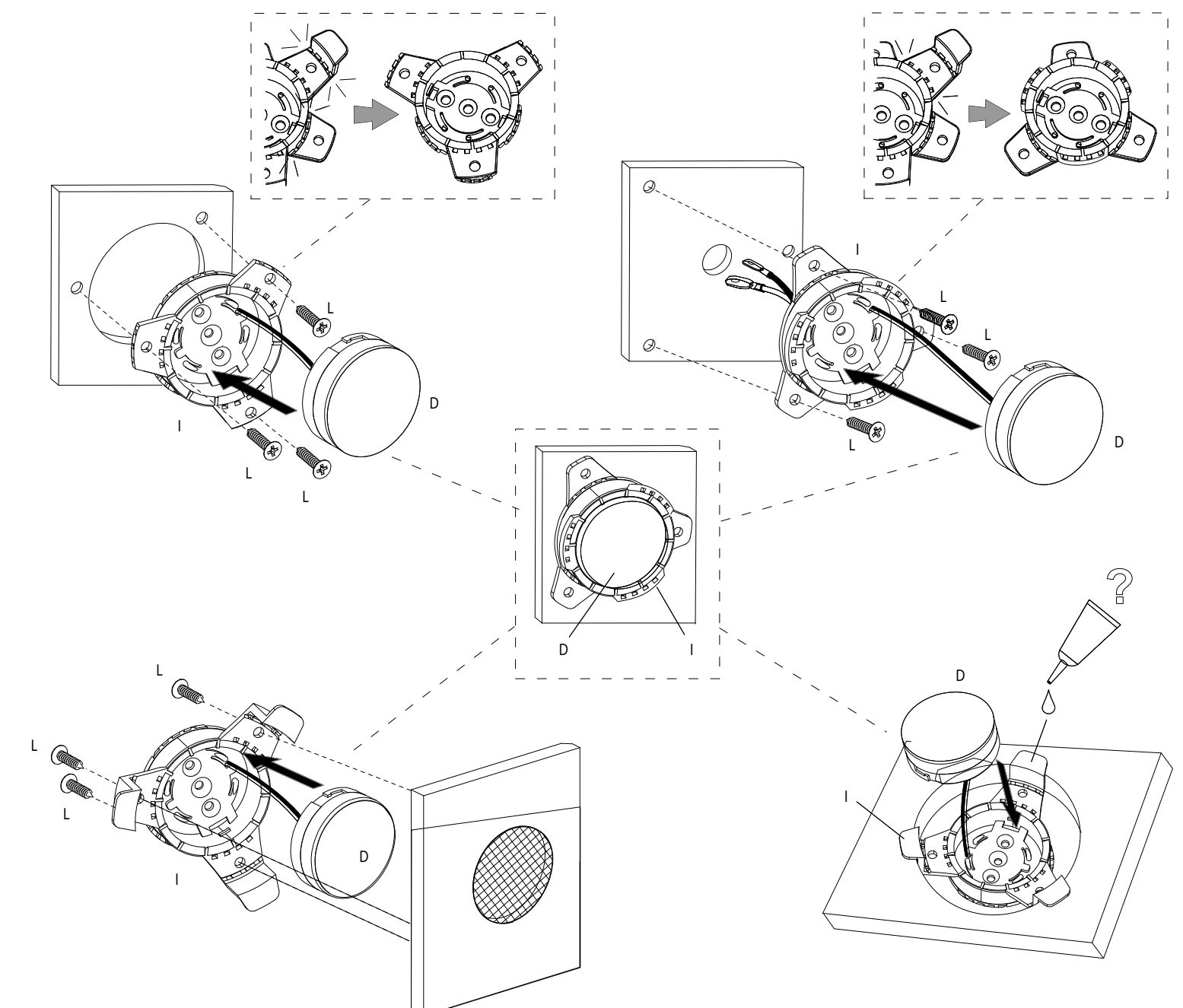
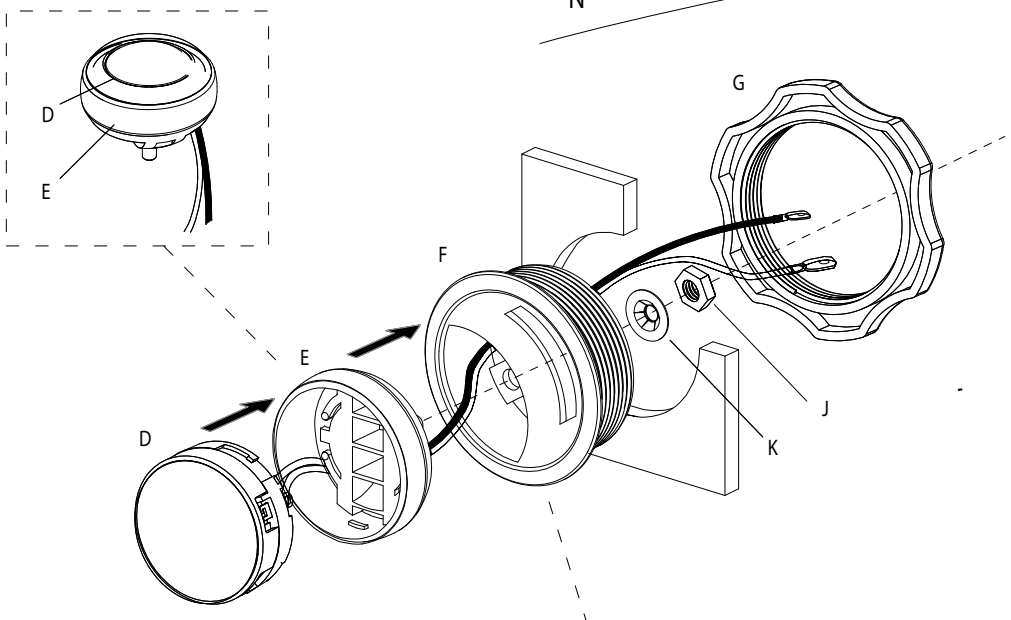
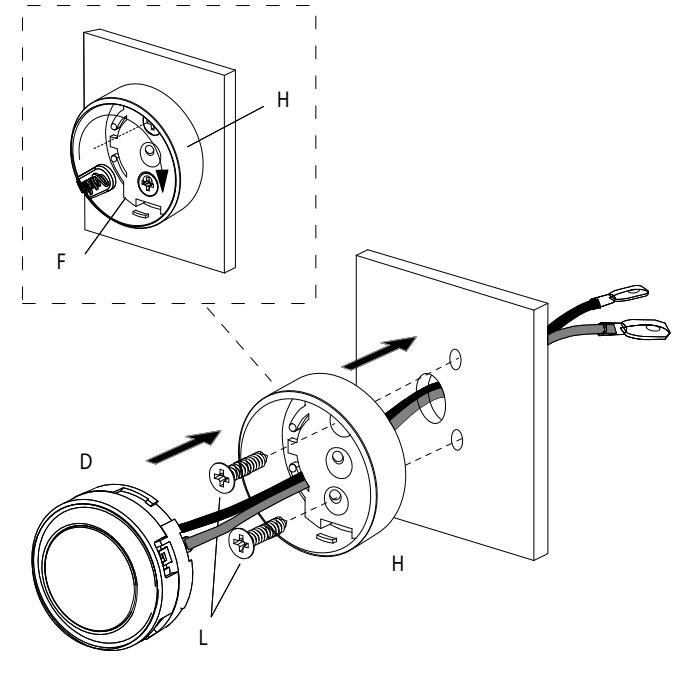
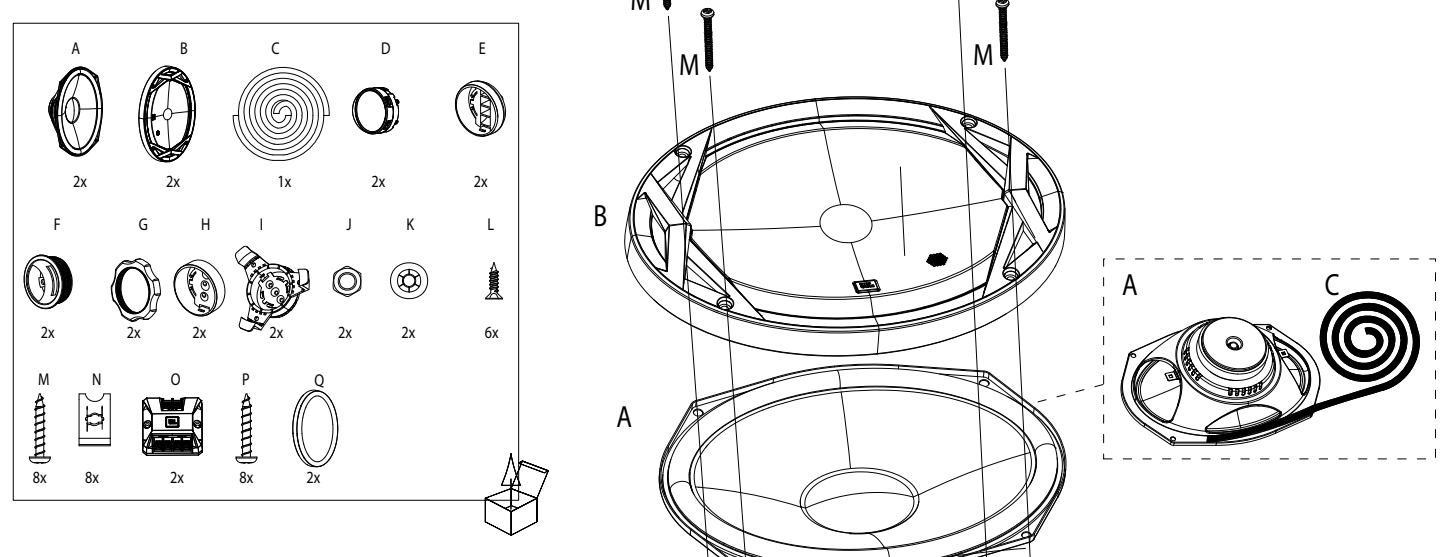
CLUB 5000C



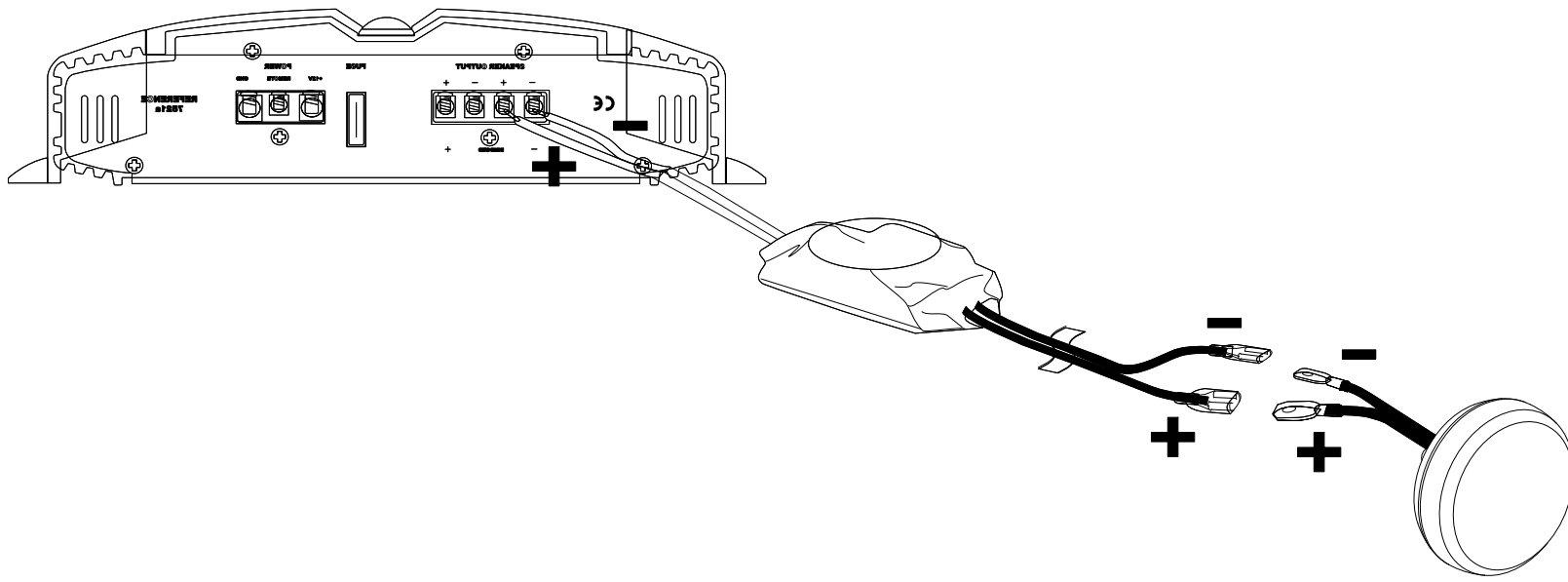
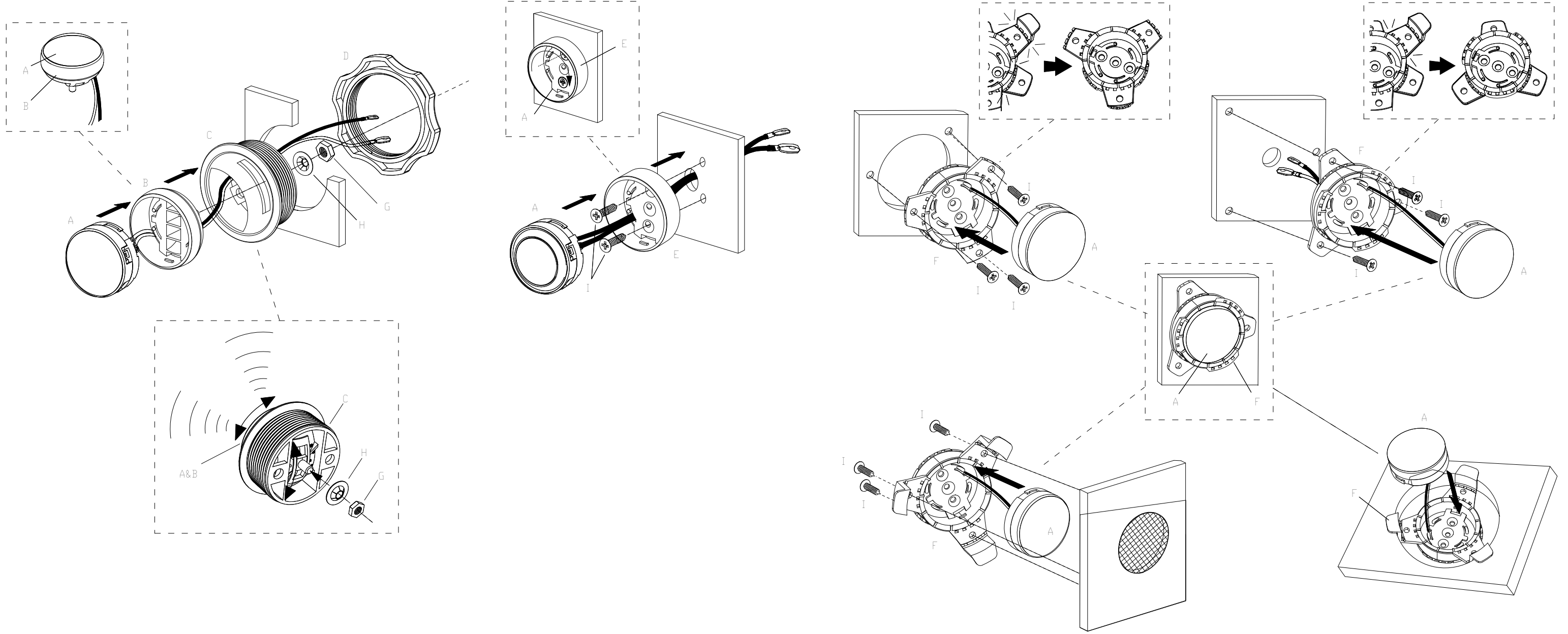
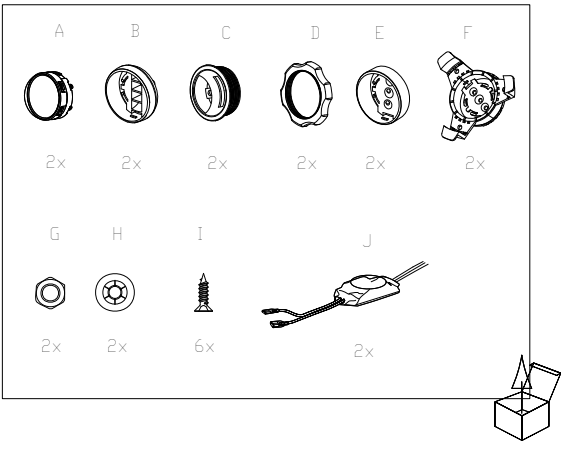
CLUB 6500C



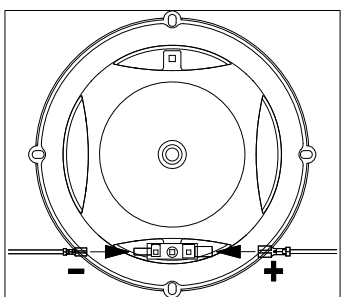
CLUB 9600C



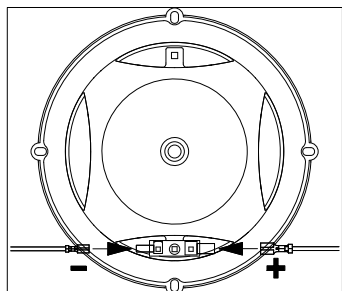
Club 750T



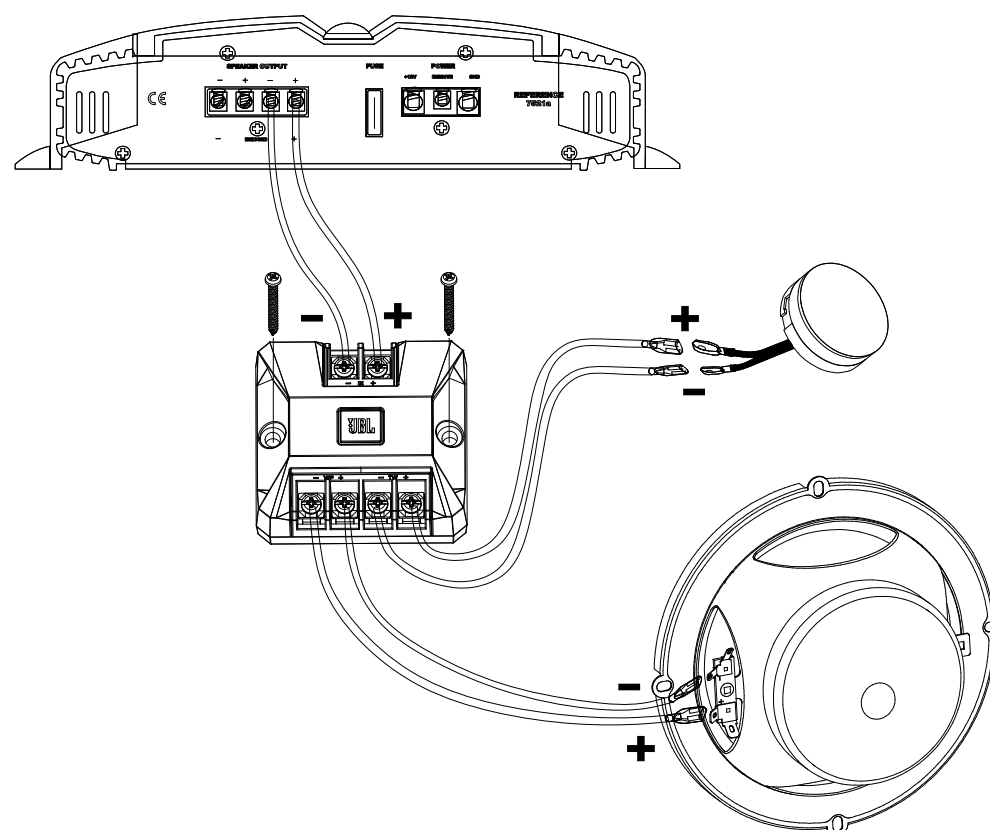
**CLUB 6420 / CLUB 8620 /
CLUB 5020 / CLUB 6520 /
CLUB 3020 / CLUB 4020 /
CLUB 9630**



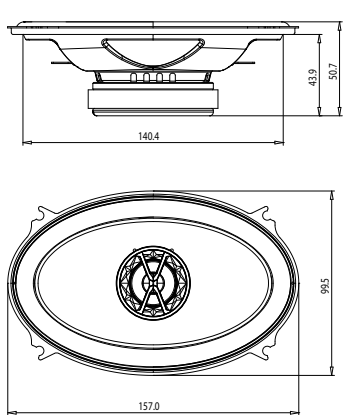
**CLUB 5000C / CLUB 6500C /
CLUB 9600C / CLUB 750T**



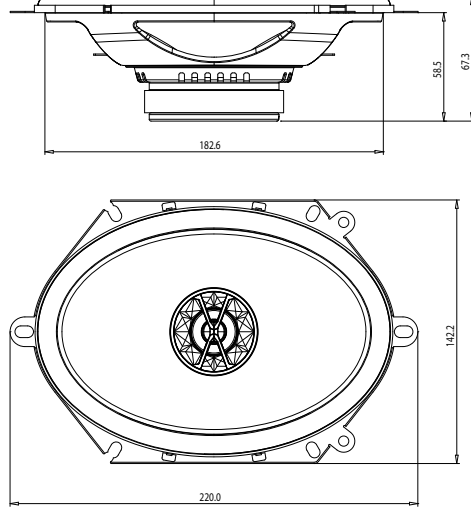
CLUB 5000C / CLUB 6500C / CLUB 9600C



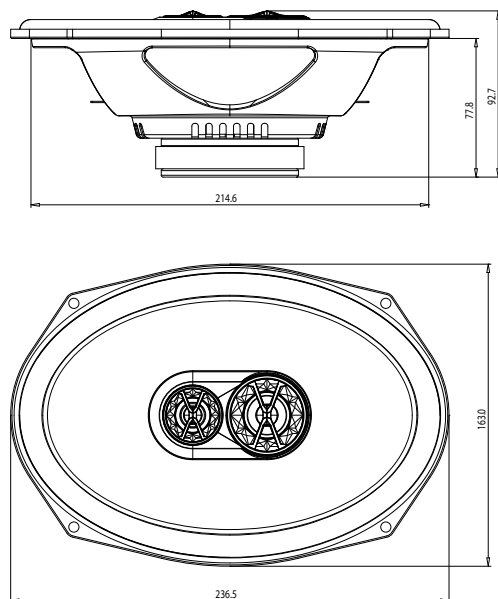
CLUB 6420



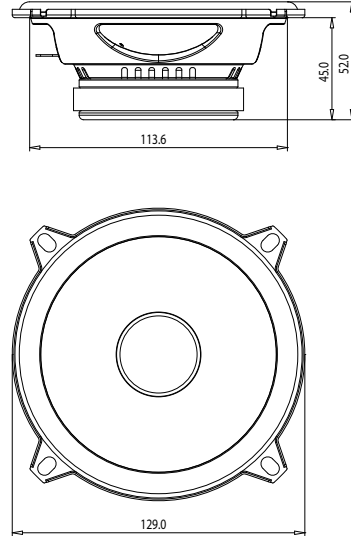
CLUB 8620



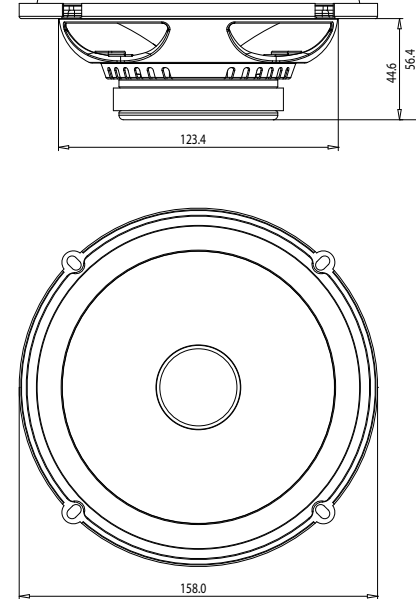
CLUB 9630



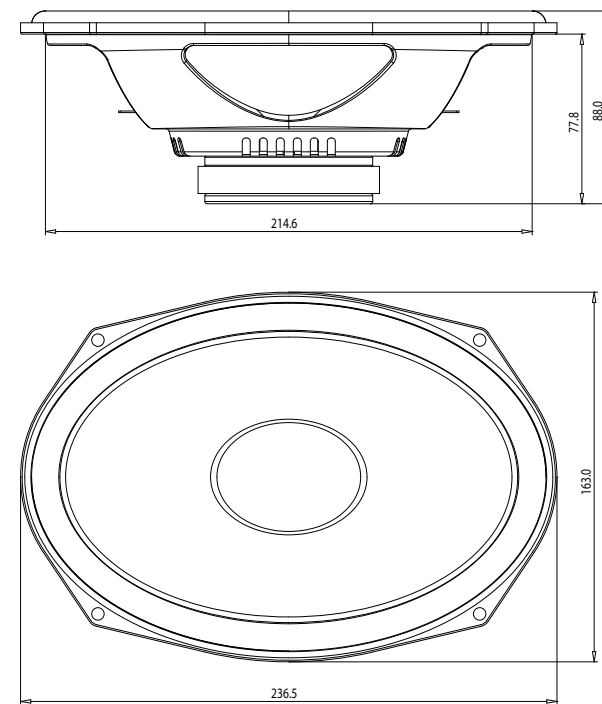
CLUB 5000C



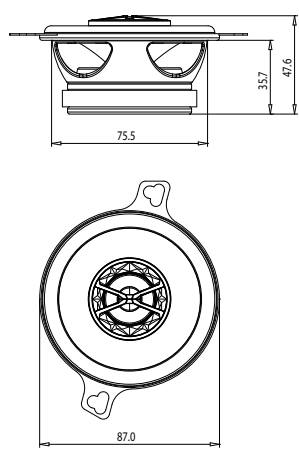
CLUB 6500C



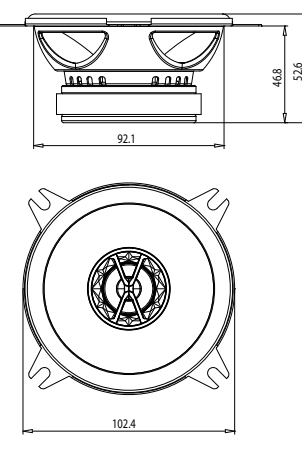
CLUB 9600C



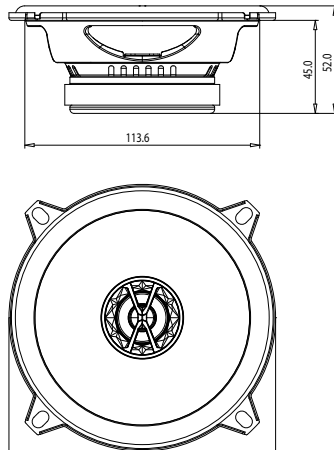
CLUB 3020



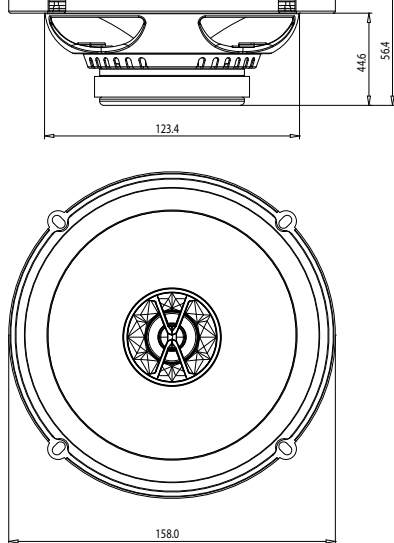
CLUB 4020



CLUB 5020



CLUB 6520



SPECIFICATIONS	CLUB 6520	CLUB 9630	CLUB 3020	CLUB 4020	CLUB 5020	CLUB 6420	CLUB 8620	CLUB 5000C	CLUB 6500C	CLUB 9600C	CLUB 750T
Type	6-1/2" (160mm) coaxial car speaker	6" x 9" three-way car speaker	3-1/2" (87mm) coaxial car speaker	4" (100mm) coaxial car speaker	5-1/4" (130mm) coaxial car speaker	4" x 6" coaxial car speaker	6" x 8" coaxial car speaker	5-1/4" (130mm) component speaker system	6-1/2" (160mm) component speaker system	6" x 9" component speaker system	3 1/4" (19mm) component tweeter
Continuous power handling	50W	80W	20W	30W	40W	30W	50W	55W	60W	90W	45W
Peak power handling	150W	240W	60W	90W	120W	105W	165W	165W	180W	270W	135W
Frequency response	55Hz-20kHz	50Hz-20kHz	90Hz - 20kHz	75Hz - 20kHz	75Hz - 20kHz	75Hz-20kHz	65Hz - 20kHz	70Hz-20kHz	55Hz - 20kHz	50Hz - 20kHz	3kHz - 20kHz
Nominal impedance	3.0ohms	3.0ohms	3.0ohms	3.0ohms	3.0ohms	3.0ohms	3.0ohms	3.0ohms	3.0ohms	3.0ohms	3.0ohms
Sensitivity (2.83V/1m)	92dB	93dB	89dB	90dB	91dB	91dB	93dB	91dB	92dB	93dB	92dB
External diameter	6-1/4" (158mm)	9-5/16" X 6-7/16" (236.5mm X 163mm)	3-7/16" (87mm)	4-1/16" (102.4mm)	5-1/8" (129mm)	6-3/16" X 3-3/8" (157mm X 99.5mm)	8-1/16" X 5-5/8" (220mm X 142.2mm)	5-1/8" (129mm)	6-1/4" (158mm)	9-5/16" X 6-7/16" (236.5mm X 163mm)	2-1/4" (56mm)
Mounting cutout diameter	4-7/8" (123.4mm)	8-1/2" X 5-3/4" (214.6mm X 144.6mm)	3" (75.5mm)	3-11/16" (82.1mm)	4-1/2" (113.6mm)	5-9/16" X 3-3/8" (140.4mm X 85.1mm)	7-1/4" X 5" (182.6mm X 125.6mm)	4-1/2" (113.6mm)	4-7/8" (123.4mm)	8-1/2" X 5-3/4" (214.6mm X 144.6mm)	1-5/8" (40mm)
Total depth	2-1/4" (56.4mm)	3-11/16" (82.7mm)	1-7/8" (47.6mm)	2-1/8" (52.6mm)	2-1/16" (52mm)	2" (50.7mm)	2-11/16" (67.3mm)	2-1/16" (52mm)	2-1/4" (56.4mm)	3-1/2" (88mm)	1-7/16" (36.1mm)
Mounting depth	1-13/16" (44.6mm)	3-1/8" (77.8mm)	1-7/16" (35.7mm)	1-7/8" (46.8mm)	1-13/16" (45mm)	1-3/4" (43.9mm)	2-5/16" (68.5mm)	1-13/16" (45mm)	1-13/16" (44.6mm)	3-1/8" (77.8mm)	13/16" (20mm)

SPECIFICATIONS	CLUB 6520	CLUB 9630	CLUB 3020	CLUB 4020	CLUB 5020	CLUB 6420	CLUB 8620	CLUB 5000C	CLUB 6500C	CLUB 9600C	CLUB 750T
Type	Haut-parleur automobile coaxial 160mm (6-1/2")	Haut-parleur automobile trois voies 152 mm x 229 mm (6" x 9")	Haut-parleur automobile coaxial 87mm (3-1/2")	Haut-parleur automobile coaxial 100 mm (4")	Haut-parleur automobile coaxial 130 mm (5-1/4")	Haut-parleur automobile coaxial 152 mm x 203 mm (6" x 8")	Haut-parleur automobile coaxial 152 mm x 203 mm (6" x 8")	Système haut-parleur composant 130 mm (5-1/4")	Système haut-parleur composant 160 mm (6-1/2")	Système haut-parleur composant 152 mm x 229 mm (6" x 9")	Haut-parleur aigu composant 19 mm (3/4")
Puissance admissible continue	50W	80W	20W	30W	40W	30W	55W	55W	60W	90W	45W
Puissance admissible crête	150W	240W	60W	90W	120W	105W	165W	165W	180W	270W	135W
Réponse en fréquence	55Hz-20kHz	50Hz-20kHz	90Hz - 20kHz	75Hz - 20kHz	75Hz - 20kHz	75Hz-20kHz	65Hz - 20kHz	70Hz-20kHz	55Hz - 20kHz	50Hz - 20kHz	3kHz - 20kHz
Impédance nominale	3.0ohms	3.0ohms	3.0ohms	3.0ohms	3.0ohms	3.0ohms	3.0ohms	3.0ohms	3.0ohms	3.0ohms	3.0ohms
Sensibilité (2.83V/1m)	92dB	93dB	89dB	90dB	91dB	91dB	93dB	91dB	92dB	93dB	92dB
Diamètre externe	6-1/4" (158mm)	9-5/16" X 6-7/16" (236.5mm X 163mm)	3-7/16" (87mm)	4-1/16" (102.4mm)	5-1/8" (129mm)	6-3/16" X 3-3/8" (157mm X 99.5mm)	8-1/16" X 5-5/8" (220mm X 142.2mm)	5-1/8" (129mm)	6-1/4" (158mm)	9-5/16" X 6-7/16" (236.5mm X 163mm)	2-1/4" (56mm)
Diamètre de découpe de montage	4-7/8" (123.4mm)	8-1/2" X 5-3/4" (214.6mm X 144.6mm)	3" (75.5mm)	3-11/16" (82.1mm)	4-1/2" (113.6mm)	5-9/16" X 3-3/8" (140.4mm X 85.1mm)	7-1/4" X 5" (182.6mm X 125.6mm)	4-1/2" (113.6mm)	4-7/8" (123.4mm)	8-1/2" X 5-3/4" (214.6mm X 144.6mm)	1-5/8" (40mm)
Profondeur totale	2-1/4" (56.4mm)	3-11/16" (82.7mm)	1-7/8" (47.6mm)	2-1/8" (52.6mm)	2-1/16" (52mm)	2" (50.7mm)	2-11/16" (67.3mm)	2-1/16" (52mm)	2-1/4" (56.4mm)	3-1/2" (88mm)	1-7/16" (36.1mm)
Profondeur de montage	1-13/16" (44.6mm)	3-1/8" (77.8mm)	1-7/16" (35.7mm)	1-7/8" (46.8mm)	1-13/16" (45mm)	1-3/4" (43.9mm)	2-5/16" (68.5mm)	1-13/16" (45mm)	1-13/16" (44.6mm)	3-1/8" (77.8mm)	13/16" (20mm)

TECHNISCHE DATEN	CLUB 6520	CLUB 9630	CLUB 3020	CLUB 4020	CLUB 5020	CLUB 6420	CLUB 8620	CLUB 5000C	CLUB 6500C	CLUB 9600C	CLUB 750T
Typ	Koaxial Lautsprecher fürs Auto (160mm)	Dringel Lautsprecher fürs Auto (6" x 9")	Koaxial Lautsprecher fürs Auto (87mm)	Koaxial Lautsprecher fürs Auto (100mm)	Koaxial Lautsprecher fürs Auto (130mm)	Koaxial Lautsprecher fürs Auto (4" x 6")	Koaxial Lautsprecher fürs Auto (6" x 8")	Component Lautsprecher-System (130mm)	Component Lautsprecher-System (160mm)	Component Lautsprecher-System (6" x 9")	Component Hochtonlautsprecher (19mm)
Kontinuierliche Leistung	50W	80W	20W	30W	40W	30W	55W	55W	60W	90W	45W
Spitzenleistung	150W	240W	60W	90W	120W	105W	165W	165W	180W	270W	135W
Frequenzbereich	55Hz-20kHz	50Hz-20kHz	90Hz - 20kHz	75Hz - 20kHz	75Hz - 20kHz	75Hz-20kHz	65Hz - 20kHz	70Hz-20kHz	55Hz - 20kHz	50Hz - 20kHz	3kHz - 20kHz
Nennimpedanz	3.0ohms	3.0ohms	3.0ohms	3.0ohms	3.0ohms	3.0ohms	3.0ohms	3.0ohms	3.0ohms	3.0ohms	3.0ohms
Empfindlichkeit (2.83V/1m)	92dB	93dB	89dB	90dB	91dB	91dB	93dB	91dB	92dB	93dB	92dB
Äußerer Durchmesser	6-1/4" (158mm)	9-5/16" X 6-7/16" (236.5mm X 163mm)	3-7/16" (87mm)	4-1/16" (102.4mm)	5-1/8" (129mm)	6-3/16" X 3-3/8" (157mm X 99.5mm)	8-1/16" X 5-5/8" (220mm X 142.2mm)	5-1/8" (129mm)	6-1/4" (158mm)	9-5/16" X 6-7/16" (236.5mm X 163mm)	2-1/4" (56mm)
Montageausschnitt-Durchmesser	4-7/8" (123.4mm)	8-1/2" X 5-3/4" (214.6mm X 144.6mm)	3" (75.5mm)	3-11/16" (82.1mm)	4-1/2" (113.6mm)	5-9/16" X 3-3/8" (140.4mm X 85.1mm)	7-1/4" X 5" (182.6mm X 125.6mm)	4-1/2" (113.6mm)	4-7/8" (123.4mm)	8-1/2" X 5-3/4" (214.6mm X 144.6mm)	1-5/8" (40mm)
Gesamttiefe	2-1/4" (56.4mm)	3-11/16" (82.7mm)	1-7/8" (47.6mm)	2-1/8" (52.6mm)	2-1/16" (52mm)	2" (50.7mm)	2-11/16" (67.3mm)	2-1/16" (52mm)	2-1/4" (56.4mm)	3-1/2" (88mm)	1-7/16" (36.1mm)
Montagetiefe	1-13/16" (44.6mm)	3-1/8" (77.8mm)	1-7/16" (35.7mm)	1-7/8" (46.8mm)	1-13/16" (45mm)	1-3/4" (43.9mm)	2-5/16" (68.5mm)	1-13/16" (45mm)	1-13/16" (44.6mm)	3-1/8" (77.8mm)	13/16" (20mm)

SPECIFICHE	CLUB 6520	CLUB 9630	CLUB 3020	CLUB 4020	CLUB 5020	CLUB 6420	CLUB 8620	CLUB 5000C	CLUB 6500C	CLUB 9600C	CLUB 750T
Descrizione	Diffusore Coassiale Car Audio da 160mm	Diffusore Car Audio a Tre Vie 6" x 9"	Diffusore Coassiale Car Audio da 87mm	Diffusore Coassiale Car Audio da 100mm	Diffusore Coassiale Car Audio da 130mm	Diffusore Coassiale Car Audio 4" x 6"	Diffusore Coassiale Car Audio 6" x 8"	Componenti di componenti da 130mm	Componenti di componenti da 160mm	Componenti di componenti da 6" x 9"	Tweeter da 19mm
Tendenza in potenza continua	50W	80W	20W	30W	40W	30W	55W	55W	60W	90W	45W
Tendenza in potenza, picco	150W	240W	60W	90W	120W	105W	165W	165W	180W	270W	135W
Risposta in frequenza	55Hz-20kHz	50Hz-20kHz	90Hz - 20kHz	75Hz - 20kHz	75Hz - 20kHz	75Hz-20kHz	65Hz - 20kHz	70Hz-20kHz	55Hz - 20kHz	50Hz - 20kHz	3kHz - 20kHz
Nominale impedenza	3.0ohms	3.0ohms	3.0ohms	3.0ohms	3.0ohms	3.0ohms	3.0ohms	3.0ohms	3.0ohms	3.0ohms	3.0ohms
Sensibilità (2.83 V/1m)	92dB	93dB	89dB	90dB	91dB	91dB	93dB	91dB	92dB	93dB	92dB
Diametro esterno	6-1/4" (158mm)	9-5/16" X 6-7/16" (236.5mm X 163mm)	3-7/16" (87mm)	4-1/16" (102.4mm)	5-1/8" (129mm)	6-3/16" X 3-3/8" (157mm X 99.5mm)	8-1/16" X 5-5/8" (220mm X 142.2mm)	5-1/8" (129mm)	6-1/4" (158mm)	9-5/16" X 6-7/16" (236.5mm X 163mm)	2-1/4" (56mm)
Diametro foro per montaggio	4-7/8" (123.4mm)	8-1/2" X 5-3/4" (214.6mm X 144.6mm)	3" (75.5mm)	3-11/16" (82.1mm)	4-1/2" (113.6mm)	5-9/16" X 3-3/8" (140.4mm X 85.1mm)	7-1/4" X 5" (182.6mm X 125.6mm)	4-1/2" (113.6mm)	4-7/8" (123.4mm)	8-1/2" X 5-3/4" (214.6mm X 144.6mm)	1-5/8" (40mm)
Profondità totale	2-1/4" (56.4mm)	3-11/16" (82.7mm)	1-7/8" (47.6mm)	2-1/8" (52.6mm)	2-1/16" (52mm)	2" (50.7mm)	2-11/16" (67.3mm)	2-1/16" (52mm)	2-1/4" (56.4mm)	3-1/2" (88mm)	1-7/16" (36.1mm)
Profondità di montaggio	1-13/16" (44.6mm)	3-1/8" (77.8mm)	1-7/16" (35.7mm)	1-7/8" (46.8mm)	1-13/16" (45mm)	1-3/4" (43.9mm)	2-5/16" (68.5mm)	1-13/16" (45mm)	1-13/16" (44.6mm)	3-1/8" (77.8mm)	13/16" (20mm)

TEKNISET TIEDOT	CLUB 6520	CLUB 9630	CLUB 3020	CLUB 4020	CLUB 5020	CLUB 6420	CLUB 8620	CLUB 5000C	CLUB 6500C	CLUB 9600C	CLUB 750T
Typpi	6-1/2" (160mm) koaksiaalinen autoalku	6" x 9" kolmeväijeyksinen autoalku	3-1/2" (87mm) koaksiaalinen autoalku	4" (100mm) koaksiaalinen autoalku	5-1/4" (130mm) koaksiaalinen autoalku	4" x 6" koaksiaalinen autoalku	6" x 8" koaksiaalinen autoalku	5-1/4" (130mm) komponenttien autoalku	6-1/2" (160mm) komponenttien autoalku	6" x 9" komponenttien autoalku	3 1/4" (19mm) komponenttien diskantti
Tehonkesto jatkuva	50W	80W	20W	30W	40W	30W	55W	55W	60W	90W	45W
Tehonkesto huippu	150W	240W	60W	90W	120W	105W	165W	165W	180W	270W	135W
Tajuvuusaste	55Hz-20kHz	50Hz-20kHz	90Hz - 20kHz	75Hz - 20kHz	75Hz - 20kHz	75Hz-20kHz	65Hz - 20kHz	70Hz-20kHz	55Hz - 20kHz	50Hz - 20kHz	3kHz - 20kHz
Nimellisimpedanssi	3.0ohms	3.0ohms	3.0ohms	3.0ohms	3.0ohms	3.0ohms	3.0ohms	3.0ohms	3.0ohms	3.0ohms	3.0ohms
Herkkisyys (2.83 V/1m)	92dB	93dB	89dB	90dB	91dB	91dB	93dB	91dB	92dB	93dB	92dB
Ulkonnen halkaisija	6-1/4" (158mm)	9-5/16" X 6-7/16" (236.5mm X 163mm)	3-7/16" (87mm)	4-1/16" (102.4mm)	5-1/8" (129mm)	6-3/16" X 3-3/8" (157mm X 99.5mm)	8-1/16" X 5-5/8" (220mm X 142.2mm)	5-1/8" (129mm)	6-1/4" (158mm)	9-5/16" X 6-7/16" (236.5mm X 163mm)	2-1/4" (56mm)
Asennusaukon halkaisija	4-7/8" (123.4mm)	8-1/2" X 5-3/4" (214.6mm X 144.6mm)	3" (75.5mm)	3-11/16" (82.1mm)	4-1/2" (113.6mm)	5-9/16" X 3-3/8" (140.4mm X 85.1mm)	7-1/4" X 5" (182.6mm X 125.6mm)	4-1/2" (113.6mm)	4-7/8" (123.4mm)	8-1/2" X 5-3/4" (214.6mm X 144.6mm)	1-5/8" (40mm)
Kokonaispaksuus	2-1/4" (56.4mm)	3-11/16" (82.7mm)	1-7/8" (47.6mm)	2-1/8" (52.6mm)	2-1/16" (52mm)	2" (50.7mm)	2-11/16" (67.3mm)	2-1/16" (52mm)	2-1/4" (56.4mm)	3-1/2" (88mm)	1-7/16" (36.1mm)
Montaustiefe	1-13/16" (44.6mm)	3-1/8" (77.8mm)	1-7/16" (35.7mm)	1-7/8" (46.8mm)	1-13/16" (45mm)	1-3/4" (43.9mm)	2-5/16" (68.5mm)	1-13/16" (45mm)	1-13/16" (44.6mm)	3-1/8" (77.8mm)	13/16" (20mm)

ESPECIFICACIONES	CLUB 6520	CLUB 9630	CLUB 3020	CLUB 4020	CLUB 5020	CLUB 6420	CLUB 8620	CLUB 5000C	CLUB 6500C	CLUB 9600C	CLUB 750T
Tipo	Altavoz para automóvil coaxial de 6-1/2" (160 mm)	Altavoz para automóvil de tres vías de 6" x 9"	Altavoz para automóvil coaxial de 3-1/2" (87 mm)	Altavoz para automóvil coaxial de 4" (100 mm)	Altavoz para automóvil coaxial de 5-1/4" (130 mm)	Altavoz para automóvil coaxial de 4" x 6"	Altavoz para automóvil coaxial de 6" x 8"	Sistema de altavoces de componentes de 5-1/4" (130 mm)	Sistema de altavoces de componentes de 6-1/2" (160 mm)	Altavoz para automóvil coaxial de 6" x 9"	Altavoz de agudos de componentes 3/4" (19 mm)
Gestión de potencia máxima continua	50W	80W	20W	30W	40W	35W	55W	55W	60W	90W	45W
Gestión de potencia pico	150W	240W	60W	90W	120W	105W	165W	165W	180W	270W	135W
Intervalo de frecuencias	55Hz-20kHz	50Hz-20kHz	90Hz - 20kHz	75Hz - 20kHz	75Hz - 20kHz	75Hz-					

ТЕХНИЧЕСКИЕ ХАРАКТЕРИСТИКИ	CLUB 6520	CLUB 9630	CLUB 3020	CLUB 4020	CLUB 5020	CLUB 6420	CLUB 8620	CLUB 5000C	CLUB 6500C	CLUB 9600C	CLUB 750T
Тип	Классический автомобильный динамик размером 160 мм (6 1/2 дюйма)	Универсальный автомобильный динамик размером 87 мм (3 1/2 дюйма)	Классический автомобильный динамик размером 87 мм (3 1/2 дюйма)	Классический автомобильный динамик размером 100 мм (4 дюйма)	Классический автомобильный динамик размером 130 мм (5 1/4 дюйма)	Классический автомобильный динамик размером 102 мм (4 дюйма)	Классический автомобильный динамик размером 142 мм (5 6 1/8 дюйма)	Классическая система динамик размером 130 мм (5 1/4 дюйма)	Классическая система динамик размером 160 мм (6 1/2 дюйма)	Классическая система динамик размером 160 мм (6 1/2 дюйма)	Компактный высокочастотный динамик размером 79 мм (3 дюйма)
Постоянная мощность	50W	80W	20W	30W	40W	35W	55W	55W	60W	90W	45W
Пиковая мощность	150W	240W	60W	90W	120W	105W	165W	165W	180W	270W	135W
Эффективный рабочий диапазон частот	55Hz-20kHz	50Hz-20kHz	90Hz - 20kHz	75Hz - 20kHz	75Hz - 20kHz	75Hz-20kHz	65Hz - 20kHz	70Hz-20kHz	55Hz - 20kHz	50Hz - 20kHz	3kHz - 20kHz
Номинальный импеданс	3.0ohms	3.0ohms	3.0ohms	3.0ohms	3.0ohms	3.0ohms	3.0ohms	3.0ohms	3.0ohms	3.0ohms	3.0ohms
Чувствительность (2.83 В/м)	92dB	93dB	89dB	90dB	91dB	93dB	91dB	93dB	93dB	93dB	92dB
Внешний диаметр	6-1/4" (158mm)	9-5/16" X 6-7/16" (236.5mm X 163mm)	3-7/16" (87mm)	4-1/16" (102.4mm)	5-1/8" (129mm)	6-3/16" X 3-15/16" (157mm X 99.5mm)	8-1/16" X 5-5/8" (220mm X 142.2mm)	5-1/8" (129mm)	6-1/4" (158mm)	9-5/16" X 6-7/16" (236.5mm X 163mm)	2-1/4" (56mm)
Диаметр выемки для установки	4-7/8" (123.4mm)	8-1/2" X 5-3/4" (214.6mm X 144.6mm)	3" (75.5mm)	3-11/16" (92.1mm)	4-1/2" (113.6mm)	5-9/16" X 3-3/8" (140.4mm X 85.1mm)	7-1/4" X 5" (182.6mm X 125.6mm)	4-1/2" (113.6mm)	4-7/8" (123.4mm)	8-1/2" X 5-3/4" (214.6mm X 144.6mm)	1-5/8" (40mm)
Общая глубина	2-1/4" (56.4mm)	3-11/16" (92.7mm)	1-7/8" (47.6mm)	2-1/8" (52.6mm)	2-1/16" (52mm)	2" (50.7mm)	2-11/16" (67.3mm)	2-1/16" (52mm)	2-1/4" (56.4mm)	3-1/2" (88mm)	1-7/16" (36.1mm)
Глубина установки	1-13/16" (44.6mm)	3-1/8" (77.8mm)	1-7/16" (35.7mm)	1-7/8" (46.8mm)	1-13/16" (45mm)	1-3/4" (43.9mm)	2-5/16" (58.5mm)	1-13/16" (45mm)	1-13/16" (44.6mm)	3-1/8" (77.8mm)	13/16" (20mm)

English

仕様書	CLUB 6520	CLUB 9630	CLUB 3020	CLUB 4020	CLUB 5020	CLUB 6420	CLUB 8620	CLUB 5000C	CLUB 6500C	CLUB 9600C	CLUB 750T
型	6-1/2インチ(160mm) 同軸カースピーカー	6インチx9インチ(152mm x 228.5mm) エィカーシステム	3-1/2インチ(87mm) 同軸カースピーカー	4インチ(100mm) 同軸カースピーカー	5-1/4インチ(130mm) 同軸カースピーカー	4インチx6インチ(102mm x 152mm) 同軸カースピーカー	6インチx8インチ(152mm x 203mm) 同軸カースピーカー	5-1/4インチ(130mm) コンポーネントシステム	6-1/2インチ(160mm) コンポーネントシステム	6インチx9インチ(152mm x 228.5mm) コンポーネントシステム	3/4インチ(19mm) コンポーネントイーター
連続許容入力	50W	80W	20W	30W	40W	35W	55W	55W	60W	90W	45W
ピーク許容入力	150W	240W	60W	90W	120W	105W	165W	165W	180W	270W	135W
周波数特性	55Hz-20kHz	50Hz-20kHz	90Hz - 20kHz	75Hz - 20kHz	75Hz - 20kHz	75Hz-20kHz	65Hz - 20kHz	70Hz-20kHz	55Hz - 20kHz	50Hz - 20kHz	3kHz - 20kHz
公称インピーダンス	3.0ohms	3.0ohms	3.0ohms	3.0ohms	3.0ohms	3.0ohms	3.0ohms	3.0ohms	3.0ohms	3.0ohms	3.0ohms
感度(2.83V/1m)	92dB	93dB	89dB	90dB	91dB	93dB	91dB	93dB	93dB	93dB	92dB
外部直径	6-1/4" (158mm)	9-5/16" X 6-7/16" (236.5mm X 163mm)	3-7/16" (87mm)	4-1/16" (102.4mm)	5-1/8" (129mm)	6-3/16" X 3-15/16" (157mm X 99.5mm)	8-1/16" X 5-5/8" (220mm X 142.2mm)	5-1/8" (129mm)	6-1/4" (158mm)	9-5/16" X 6-7/16" (236.5mm X 163mm)	2-1/4" (56mm)
取り付けカットアウト直径	4-7/8" (123.4mm)	8-1/2" X 5-3/4" (214.6mm X 144.6mm)	3" (75.5mm)	3-11/16" (92.1mm)	4-1/2" (113.6mm)	5-9/16" X 3-3/8" (140.4mm X 85.1mm)	7-1/4" X 5" (182.6mm X 125.6mm)	4-1/2" (113.6mm)	4-7/8" (123.4mm)	8-1/2" X 5-3/4" (214.6mm X 144.6mm)	1-5/8" (40mm)
トータルの寸法	2-1/4" (56.4mm)	3-11/16" (92.7mm)	1-7/8" (47.6mm)	2-1/8" (52.6mm)	2" (50.7mm)	2-11/16" (67.3mm)	2-1/16" (52mm)	2-1/4" (56.4mm)	3-1/2" (88mm)	1-7/16" (36.1mm)	
埋め込み寸法	1-13/16" (44.6mm)	3-1/8" (77.8mm)	1-7/16" (35.7mm)	1-7/8" (46.8mm)	1-13/16" (45mm)	1-3/4" (43.9mm)	2-5/16" (58.5mm)	1-13/16" (45mm)	1-13/16" (44.6mm)	3-1/8" (77.8mm)	13/16" (20mm)

Japanese

DANE TECHNICZNE	CLUB 6520	CLUB 9630	CLUB 3020	CLUB 4020	CLUB 5020	CLUB 6420	CLUB 8620	CLUB 5000C	CLUB 6500C	CLUB 9600C	CLUB 750T
Model	współosiowy głośnik samochodowy 160 mm (6-1/2")	trójdrożny głośnik samochodowy 6" x 9"	współosiowy głośnik samochodowy 87 mm (3-1/2")	współosiowy głośnik samochodowy 100 mm (4")	współosiowy głośnik samochodowy 130 mm (5-1/4")	współosiowy głośnik samochodowy 4" x 6"	współosiowy głośnik samochodowy 6" x 8"	zestaw głośnikowy 5-1/4" x 130 mm (5-1/4")	zestaw głośnikowy 160 mm (6-1/2")	zestaw głośnikowy 6" x 9"	głośnik wysokotonowy 19 mm (3/4")
Moc (ciągła)	50W	80W	20W	30W	40W	35W	55W	55W	60W	90W	45W
Moc (szczytowa)	150W	240W	60W	90W	120W	105W	165W	165W	180W	270W	135W
Paźmo przeniesienia	55Hz-20kHz	50Hz-20kHz	90Hz - 20kHz	75Hz - 20kHz	75Hz - 20kHz	75Hz-20kHz	65Hz - 20kHz	70Hz-20kHz	55Hz - 20kHz	50Hz - 20kHz	3kHz - 20kHz
Impedancja znamionowa	3.0ohms	3.0ohms	3.0ohms	3.0ohms	3.0ohms	3.0ohms	3.0ohms	3.0ohms	3.0ohms	3.0ohms	3.0ohms
Effektywność (przy 2.83V/1m)	92dB	93dB	89dB	90dB	91dB	93dB	91dB	93dB	93dB	93dB	92dB
Srednica zewnętrzna	6-1/4" (158mm)	9-5/16" X 6-7/16" (236.5mm X 163mm)	3-7/16" (87mm)	4-1/16" (102.4mm)	5-1/8" (129mm)	6-3/16" X 3-15/16" (157mm X 99.5mm)	8-1/16" X 5-5/8" (220mm X 142.2mm)	5-1/8" (129mm)	6-1/4" (158mm)	9-5/16" X 6-7/16" (236.5mm X 163mm)	2-1/4" (56mm)
Srednica wnęki do montażu	4-7/8" (123.4mm)	8-1/2" X 5-3/4" (214.6mm X 144.6mm)	3" (75.5mm)	3-11/16" (92.1mm)	4-1/2" (113.6mm)	5-9/16" X 3-3/8" (140.4mm X 85.1mm)	7-1/4" X 5" (182.6mm X 125.6mm)	4-1/2" (113.6mm)	4-7/8" (123.4mm)	8-1/2" X 5-3/4" (214.6mm X 144.6mm)	1-5/8" (40mm)
Całkowita głębokość	2-1/4" (56.4mm)	3-11/16" (92.7mm)	1-7/8" (47.6mm)	2-1/8" (52.6mm)	2-1/16" (52mm)	2" (50.7mm)	2-11/16" (67.3mm)	2-1/16" (52mm)	2-1/4" (56.4mm)	3-1/2" (88mm)	1-7/16" (36.1mm)
Głębokość montażowa	1-13/16" (44.6mm)	3-1/8" (77.8mm)	1-7/16" (35.7mm)	1-7/8" (46.8mm)	1-13/16" (45mm)	1-3/4" (43.9mm)	2-5/16" (58.5mm)	1-13/16" (45mm)	1-13/16" (44.6mm)	3-1/8" (77.8mm)	13/16" (20mm)

Polski

规格	CLUB 6520	CLUB 9630	CLUB 3020	CLUB 4020	CLUB 5020	CLUB 6420	CLUB 8620	CLUB 5000C	CLUB 6500C	CLUB 9600C	CLUB 750T
型号	6-1/2" (160mm) 同轴汽车喇叭	6" x 9" 三路汽车喇叭	3-1/2" (87mm) 同轴汽车喇叭	4" (100mm) 同轴汽车喇叭	5-1/4" (130mm) 同轴汽车喇叭	4" x 6" 同轴汽车喇叭	6" x 8" 同轴汽车喇叭	5-1/4" (130mm) 元件喇叭系统	6-1/2" (160mm) 元件喇叭系统	6" x 9" 元件喇叭系统	3/4" (19mm) 元件高音喇叭
连续的功率处理	50W	80W	20W	30W	40W	35W	55W	55W	60W	90W	45W
峰值的功率处理	150W	240W	60W	90W	120W	105W	165W	165W	180W	270W	135W
频率范围	55Hz-20kHz	50Hz-20kHz	90Hz - 20kHz	75Hz - 20kHz	75Hz - 20kHz	75Hz-20kHz	65Hz - 20kHz	70Hz-20kHz	55Hz - 20kHz	50Hz - 20kHz	3kHz - 20kHz
阻抗阻抗	3.0ohms	3.0ohms	3.0ohms	3.0ohms	3.0ohms	3.0ohms	3.0ohms	3.0ohms	3.0ohms	3.0ohms	3.0ohms
灵敏度(2.83V/1m)	92dB	93dB	89dB	90dB	91dB	93dB	91dB	93dB	93dB	93dB	92dB
外形	6-1/4" (158mm)	9-5/16" X 6-7/16" (236.5mm X 163mm)	3-7/16" (87mm)	4-1/16" (102.4mm)	5-1/8" (129mm)	6-3/16" X 3-15/16" (157mm X 99.5mm)	8-1/16" X 5-5/8" (220mm X 142.2mm)	5-1/8" (129mm)	6-1/4" (158mm)	9-5/16" X 6-7/16" (236.5mm X 163mm)	2-1/4" (56mm)
安装喇叭直径	4-7/8" (123.4mm)	8-1/2" X 5-3/4" (214.6mm X 144.6mm)	3" (75.5mm)	3-11/16" (92.1mm)	4-1/2" (113.6mm)	5-9/16" X 3-3/8" (140.4mm X 85.1mm)	7-1/4" X 5" (182.6mm X 125.6mm)	4-1/2" (113.6mm)	4-7/8" (123.4mm)	8-1/2" X 5-3/4" (214.6mm X 144.6mm)	1-5/8" (40mm)
总深度	2-1/4" (56.4mm)	3-11/16" (92.7mm)	1-7/8" (47.6mm)	2-1/8" (52.6mm)	2" (50.7mm)	2-11/16" (67.3mm)	2-1/16" (52mm)	2-1/4" (56.4mm)	3-1/2" (88mm)	1-7/16" (36.1mm)	
安装深度	1-13/16" (44.6mm)	3-1/8" (77.8mm)	1-7/16" (35.7mm)	1-7/8" (46.8mm)	1-13/16" (45mm)	1-3/4" (43.9mm)	2-5/16" (58.5mm)	1-13/16" (45mm)	1-13/16" (44.6mm)	3-1/8" (77.8mm)	13/16" (20mm)

Technical Chinese

SPESIFIKASI	CLUB 6520	CLUB 9630	CLUB 3020	CLUB 4020	CLUB 5020	CLUB 6420	CLUB 8620	CLUB 5000C	CLUB 6500C	CLUB 9600C	CLUB 750T
Тип	Speaker mobil koaksial 6-1/2" (160mm)	Speaker mobil tiga jalur 6" x 9"	Speaker mobil koaksial 3-1/2" (87mm)	Speaker mobil koaksial 4" (100mm)	Speaker mobil koaksial 5-1/4" (130mm)	Speaker mobil koaksial 4" x 6"	Speaker mobil koaksial 6" x 8"	Sistem speaker komponen 5-1/4" (130mm)	Sistem speaker komponen 6-1/2" (160mm)	Sistem speaker komponen 6" x 9"	Tweeter komponen 3/4" (19mm)
Penanganan daya kontinu	50W	80W	20W	30W	40W	35W	55W	55W	60W	90W	45W
Penanganan daya puncak	150W	240W	60W	90W	120W	105W	165W	165W	180W	270W	135W
Respons frekuensi	55Hz-20kHz	50Hz-20kHz	90Hz - 20kHz	75Hz - 20kHz	75Hz - 20kHz	75Hz-20kHz	65Hz - 20kHz	70Hz-20kHz	55Hz - 20kHz	50Hz - 20kHz	3kHz - 20kHz
Impedansi Nominal	3.0ohms	3.0ohms	3.0ohms	3.0ohms	3.0ohms	3.0ohms	3.0ohms	3.0ohms	3.0ohms	3.0ohms	3.0ohms
Sensitivitas (2.83V/1m)	92dB	93dB	89dB	90dB	91dB	93dB	91dB	93dB	93dB	93dB	92dB
Diameter eksternal	6-1/4" (158mm)	9-5/16" X 6-7/16" (236.5mm X 163mm)	3-7/16" (87mm)	4-1/16" (102.4mm)	5-1/8" (129mm)	6-3/16" X 3-15/16" (157mm X 99.5mm)	8-1/16" X 5-5/8" (220mm X 142.2mm)	5-1/8" (129mm)	6-1/4" (158mm)	9-5/16" X 6-7/16" (236.5mm X 163mm)	2-1/4" (56mm)
Diameter potongan dudukan	4-7/8" (123.4mm)	8-1/2" X 5-3/4" (214.6mm X 144.6mm)	3" (75.5mm)	3-11/16" (92.1mm)	4-1/2" (113.6mm)	5-9/16" X 3-3/8" (140.4mm X 85.1mm)	7-1/4" X 5" (182.6mm X 125.6mm)	4-1/2" (113.6mm)	4-7/8" (123.4mm)	8-1/2" X 5-3/4" (214.6mm X 144.6mm)	1-5/8" (40mm)
Kedalaman total	2-1/4" (56.4mm)	3-11/16" (92.7mm)	1-7/8" (47.6mm)	2-1/8" (52.6mm)	2-1/16" (52mm)	2" (50.7mm)	2-11/16" (67.3mm)	2-1/16" (52mm)	2-1/4" (56.4mm)	3-1/2" (88mm)	1-7/16" (36.1mm)
Kedalaman dudukan	1-13/16" (44.6mm)	3-1/8" (77.8mm)	1-7/16" (35.7mm)	1-7/8" (46.8mm)	1-13/16" (45mm)	1-3/4" (43.9mm)	2-5/16" (58.5mm)	1-13/16" (45mm)	1-13/16" (44.6mm)	3-1/8" (77.8mm)	13/16" (20mm)

Indonesian



HARMAN International Industries, Inc.
8500 Balboa Boulevard, Northridge, CA 91329 USA

© 2016 HARMAN International Industries, Incorporated. All rights reserved.
JBL is a trademark of HARMAN International Industries, Incorporated, registered in the United States and/or other countries.

Features, specifications and appearance are subject to change without notice.

© 2016 HARMAN International Industries, Incorporated. Все права защищены.
JBL является торговой маркой Harman International Industries, Incorporated, зарегистрированной в США и/или других странах.

Функции, характеристики и внешний вид описываемых компонентов могут быть изменены без предварительного уведомления.

Торговая марка	: JBL
Назначение товара	: Автомобильная акустическая система
Изготовитель	: Харман Интернешнл Индастриз Инкорпорейтед, США, 06901 Коннектикут, г.Стемфорд, Атлантик Стрит 400, офис 1500
Страна происхождения	: Вьетнам
Импортер в Россию	: ООО "ХАРМАН РУС СиАйЭс", РОССИЯ, 127018, г.МОСКВА, УЛ. ДВИНЦЕВ, Д.12, КОРПУС 1
Гарантийный период	: 1 год
Информация о сервисных центрах	: www.harman.com/ru тел. +7-800-700-0467
Срок службы	: 5 лет
Срок хранения	: не ограничен
Условия хранения	: Стандартные при нормальных значениях климатических факторов внешней среды
Номер документа соответствия	: Товар не подлежит обязательной сертификации
Дата производства	: Дата изготовления устройства определяется по двум буквенным обозначениям из второй группы символов серийного номера изделия, следующих после разделительного знака «-». Кодировка соответствует порядку букв латинского алфавита, начиная с января 2010 года: 000000-МУ0000000, где «М» - месяц производства (А - январь, В - февраль, С - март и т.д.) и «У» - год производства (А - 2010, В - 2011, С - 2012 и т.д.).

SPECIFIKATIONER	CLUB 6520	CLUB 9630	CLUB 3020	CLUB 4020	CLUB 5020	CLUB 6420	CLUB 8620	CLUB 5000C	CLUB 6500C	CLUB 9600C	CLUB 750T
Type	6-1/2" (160 mm) koaksial bilhøjttaler	6" x 9" 3-vejs koaksial bilhøj									