







# Alecto DVM-200 DVM200BK

## USER'S MANUAL

### INTRODUCTION

The Alecto DVM-200/DVM200BK is a wireless audio/video observation system, suitable for private use indoors.

You can either watch and listen continuously or you can have the baby monitor switch on

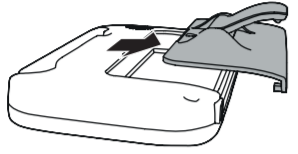
### ATTENTION

Before you start using the set, please remove any protective foil from the parent unit and baby unit.

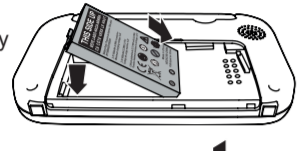
### INSTALLATION

#### Parent unit:

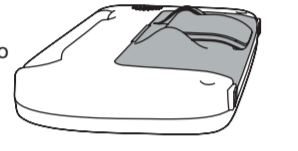
Slide off the rear casing from the parent unit



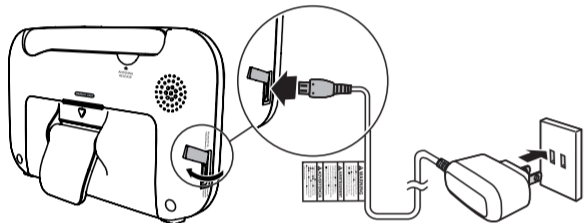
Install the rechargeable battery pack according to the picture on the right



Slide the rear casing back onto the parent unit



Finally, connect the power adaptor with the flat plug to the parent unit and insert the adaptor into a 230V wall socket.



Now please let the battery pack charge for at least 24 hours CONTINUOUSLY.

### DISPLAY ICONS:

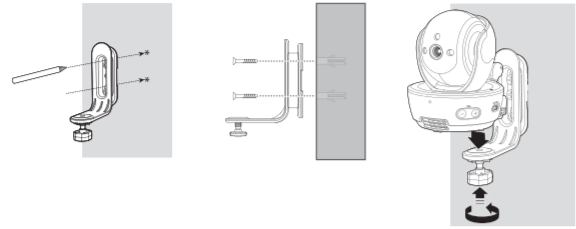
During use, the following icons can appear in the display.

- connection indicator:  
  - : good connection between baby unit and parent unit
  - or : reasonable or poor connection
  - : connection interrupted
- illuminates when the SCAN function is enabled (only applicable when using multiple baby units)
- illuminates when the infrared LEDs of the camera are switched on (these turn on automatically when it's getting dark near the camera)
- illuminates when the zoom mode is enabled
- illuminates when the alert tone of the temperature alarm is enabled
- illuminates when the volume level is set to 0 (sound off)  
  - : little or no sound in the baby room
  - : soft to moderate sound in the baby room
  - : loud sound in the baby room
- indication of the set speaker volume
- battery indication:  
  - : battery is full
  - : battery is nearly empty
  - : battery is charging
- illuminates when there's no battery installed; the parent unit is now fully powered by the adaptor

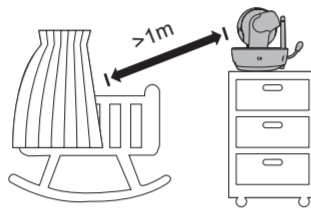
### Baby unit:

Connect the power adaptor with the round plug to the bottom of the baby unit according to the below picture

a mounting bracket is included for fixing the baby unit onto a wall



maintain a distance of at least 1 meter between the baby unit and the baby



### TO PERSONALISE:

You can set or program various functions and settings of the DVM-200/DVM200BK according to your own preferences:

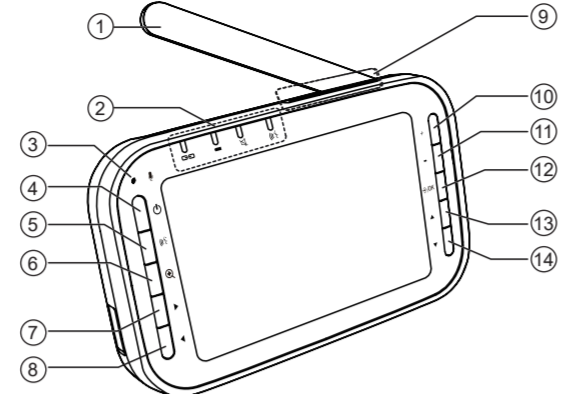
- ↻/OK open the setup menu
- ▼/▲ search for the desired item
- ↻/OK open the selected item
- ▼/▲ use the ▼ or ▲ button to adjust or select a setting
- ↻/OK confirm your choice
- ◀ return to the camera image display

The following settings are available:

- Language  
to set the display language
- LCD  
to set the display brightness (level 1 – level 5) or to switch the DIM mode on/off (to dim the display automatically when no camera buttons are pressed for 10 minutes, to save energy)
- Lullaby  
use this option to select one of the lullabies or sounds or select 'Play all' to play all different lullabies and sounds one after the other
- Pair/Unpair CAM  
select this option to add or remove additional cameras, please refer to the below chapter 'Multi-camera'
- Rename  
use this option to assign a personal name to the camera; you can choose the standard name 'CAM' or choose one of the 6 pre-programmed names
- Sensitivity  
Here you can set how loud the baby must be crying before the sound and image (see the next item) will be activated through the parent unit:  
  - Level 1: low sensitivity, the baby must cry loudly before the baby monitor switches on
  - Level 2: moderate sensitivity
  - Level 3: average sensitivity
  - Level 4: high sensitivity, the baby monitor will switch on as soon as the baby starts to cry softly
  - Level 5: VOX switched off, the baby monitor will continuously transmit the images and sounds from the baby

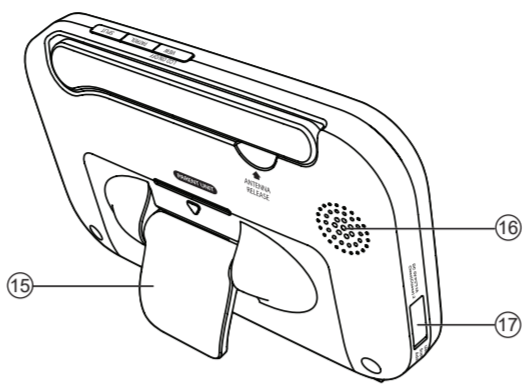
### FUNCTION OVERVIEW

Parent unit:



1. antenna flip it upward for optimum range
2. indicator: remains lit while the parent unit is connected with the baby unit  
 indicator: remains lit while the adaptor is connected and the battery pack is being charged or maintained  
 indicator: flashes when the battery pack is nearly empty and must be charged  
 indicator: remains lit when the connection with the parent unit is active  
 indicator: illuminates when the speaker volume is set to 0 (no sound)  
 indicator: illuminates when the talk-back function is activated
3. built-in microphone
4. button: press and hold for 2 seconds to switch the parent unit on or off
5. button press and hold to talk back to the baby
6. button press to zoom in (to get the display somewhat closer); now use the and buttons to move the image to the left, to the right, down or up
7. button: various functions, please see this user manual
8. button: various functions, please see this user manual
9. button: press and hold to turn off the display, briefly press to view the image of the next camera (functional only when multiple cameras are registered)  
 button: briefly press to play the next lullaby  
 button: to start or stop playback of the lullabies

10. + button: to increase the volume
11. - button: to decrease the volume
12. ↻/OK button: to open the menu and to confirm selections
13. ▲ button: to open the menu and to confirm selections various functions, please see this user manual
14. ▼ button: to open the menu and to confirm selections various functions, please see this user manual



15. support
16. built-in speaker
17. power adaptor input

### MULTI-CAMERA

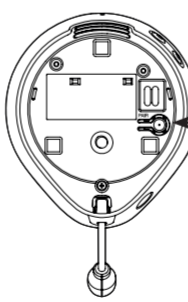
#### INTRODUCTION:

You can register up to a maximum of 4 baby units (cameras) on the DVM-200/DVM200BK parent unit. Separate cameras are available via the service department of Alecto via internet [www.alectobaby.com](http://www.alectobaby.com)  
 Fixed camera: DVM-143C  
 Pan/tilt camera: DVM-201

#### REGISTERING ADDITIONAL CAMERAS:

First remove the new camera from its packaging, then connect the supplied power adaptor, insert it into a wall socket and turn on the camera.

- Now take the parent unit to pair the new camera
- ↻/OK open the setup menu
  - ▼/▲ select the option 'Pair/Unpair CAM'
  - ↻/OK open this item
  - ▼/▲ select 'Pair CAM'
  - ↻/OK confirm your choice
  - ▼/▲ select an available camera number
  - ↻/OK confirm the instruction



Keep this button depressed for several seconds until the power indicator on the additional camera starts flashing rapidly.

After several seconds the image of the new camera will appear in the display of the parent unit.

The additional camera is now registered and is ready for use.

#### OPERATION:

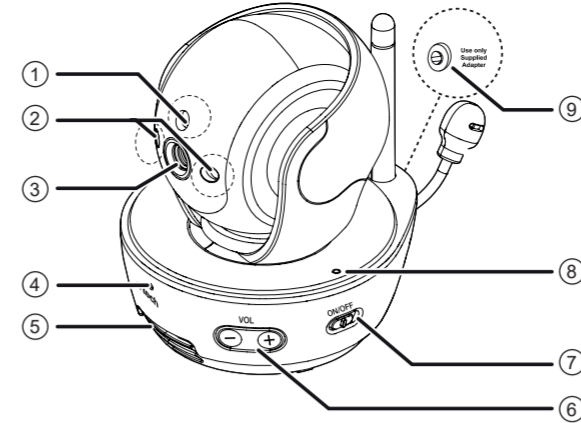
Upon switching on the parent unit, the image of only one camera will be shown. Repeatedly press the button on top of the parent unit for the following:

- the images of the next paired camera will be displayed while in the upper left corner the camera number is indicated)
- the images of all paired cameras are displayed simultaneously ('split-view')
- the images are automatically displayed one after the other ('scan mode')

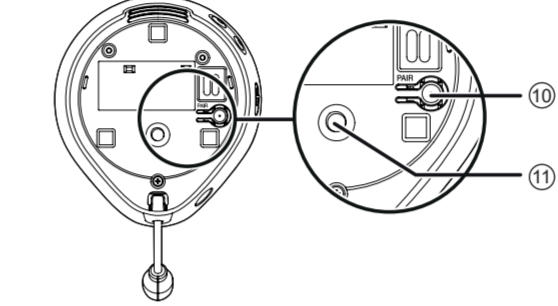
#### When using 'split-view':

- The sound is disabled, there's no sound in split-view.  
 - As soon as one of the cameras is detecting sound, you'll be notified of this in the upper part of the screen. You can also include an alert tone, for this please see the item 'Alert tone' in the chapter 'To personalise'.

### Baby unit:



1. Light sensor
2. Infrared LEDs (for night lighting)
3. Camera lens
4. built-in microphone
5. built-in speaker
6. +/-: to set the volume for the lullabies and for the talk-back function
7. button: power switch for the baby unit
8. remains lit when the connection with the parent unit is active  
 indicator: flashes when there's no active connection with the parent unit
9. power adaptor input



10. push-button to register (re-register) the camera on the parent unit
11. screw thread (1/4") for the wall bracket

- The menu for changing settings is not accessible.

If you'd like to change a setting, first return to the display of a single image and then adjust the setting.

- In split-view you can use the and buttons to select the desired image (yellow frame around that image) and the press the button to display the selected image on full screen, including sound. After 10 seconds the unit will switch back to 'Split-view'.

#### When using the 'Scan mode':

- In scan mode the symbol will appear in the display with next to it the camera number of which images are shown.  
 - Every 7 seconds the next camera image will be shown on full screen.

#### LOG OUT ADDITIONAL CAMERAS:

Follow the steps below to deregister faulty cameras or cameras no longer in use:

- ↻/OK open the setup menu
  - ▼/▲ select the option 'Pair/Unpair CAM'
  - ↻/OK open this item
  - ▼/▲ select 'Pair CAM'
  - ↻/OK confirm your choice
  - ▼/▲ select the camera you'd like to unpair
  - ↻/OK confirm the instruction
- now press the and ↻/OK buttons in order to confirm the unpairing process.

### OPERATION

#### TO SWITCH ON/OFF:

##### Parent unit:

- Briefly press and hold the button to switch on the parent unit.
- Briefly press and hold the button again to switch off the parent unit.

##### Baby unit:

- Slide the switch at the right side forward to switch on the baby unit.
- Slide this switch backwards to switch off the baby unit.

#### VOLUME:

##### Parent unit

- Repeatedly press the + button to increase the reception volume and repeatedly press the - button to decrease the reception volume.
- You can choose from 7 volume levels and volume-off.
- During setup, the display will show the current level.
- The light at the symbol will illuminate when you set the volume to 0 while the appears in the display.
- Upon reaching the minimum or maximum level, a double beep tone will indicate that the sound cannot be any louder or softer.

##### Baby unit

- On the baby unit, use the + and - buttons to increase or decrease the playback volume of the lullabies or the volume of the talk-back volume.
- You can choose from 5 volume levels and volume-off.
- Upon reaching the minimum or maximum level, a double beep tone will indicate that the sound cannot be any louder or softer.

#### TO TALK BACK:

- Press the button to talk back to the baby unit (press and hold this button while talking). The indicator remains lit while using the talk-back function.
- You can use the + and - buttons at the baby unit's side to adjust the volume.
- Attention: when the volume on the parent unit is set to 0 (off) and you press the button, the volume of the parent unit will be automatically returned to level 1 allowing you to hear the reaction of the baby.

#### ZOOM: (GETTING THE IMAGE CLOSER)

- Briefly press the button to zoom in.
- Briefly press the button again to zoom out.

#### PAN/TILT:

- Use the and buttons to move the image to the left, to the right, down or up.

### SPECIFICATIONS

- Range: up to 50 meters indoors up to 300 meters outdoors
- Parent unit power: 3.7V Lithium Polymer battery model BL198555/BT298555 5VDC 100mA power adapter (incl.), model S005BNV0500100
- Baby unit power: 6VDC 100mA power adapter (incl.), model: VT05EEU06100
- Frequency: 2400-2483,5 Mhz
- Modulation: FSK
- RF power: <20 dBm
- Display: 4.3" TFT LCD display WQVGA 480x272 pixel
- Recharging time parent unit battery: ~ 6 hours\*
- Life-span parent unit battery: 6~7 hours\*
- Temperature sensor range: 10°C - 35°C
- Accuracy: ± 2°C (at 25°C)
- Storage temperature: 0°C - 50°C

\*: the times mentioned above are references only and depend on the usage, condition and quality of the batteries.

#### DECLARATION OF CONFORMITY

Hereby, Hesdo declares that the radio equipment type Alecto DVM-200 is in compliance with directive 2014/53/EU. The full text of the EU declaration of conformity is available at the following internet address: <http://DOC.hesdo.com/DVM-200-DOC.pdf>

Use of this equipment is allowed in all countries of the EU. In France, Italy, Russia and Ukraine, only indoor use is allowed.

INFORMATION POWER ADAPTER:  
 MANUFACTURERS NAME AND ADDRESS : VTECH TELE-COMMUNICATIONS LTD, 23/F., TAI PING INDUSTRIAL CENTRE, BLOCK 1, 57 TING KOK ROAD, TAI PO, HONG KONG.  
 MODEL IDENTIFIER : VT05EEU05100  
 INPUT VOLTAGE : 100-240VAC  
 INPUT AC FREQUENCY : 50/60 HZ  
 OUTPUT VOLTAGE : 5.0V DC  
 OUTPUT CURRENT : 1.0 A  
 OUTPUT POWER : 5.0 W  
 AVERAGE ACTIVE EFFICIENCY : 74.0 %  
 EFFICIENCY AT LOW 10% LOAD : -

NO LOAD POWER CONSUMPTION : 0.07 W

### DISPLAY ON/OFF:

- Briefly press and hold the button to switch off the display (the sound will remain).
- Briefly press a random button on the parent unit to switch the display back on.

*This function works separate from the function for having the display and sound turn off automatically when the baby is sleeping. For this, please see the item 'Sound-activated Screen' further in this user manual.*

#### LULLABIES:

- Briefly press the button on the parent unit to start playback of the lullabies.
- During playback, press the button to select the next lullaby; you can choose from 5 lullabies and 4 nature sounds; the selected song will be played repeatedly.
- After 10 minutes, playback of the lullabies will stop automatically, or you can briefly press the button to stop playback beforehand.
- You can use the + and - buttons at the side of the baby unit to adjust the volume.
- See the item 'Lullaby' in the chapter 'To personalise' to play all songs and sounds automatically one after the other.

#### AUTOMATIC NIGHT VISION:

- The baby unit is provided with built-in 2 infra-red LEDs; these LEDs will switch on automatically when the baby room turns dark and will switch off again when it becomes light. The LEDs can illuminate objects up to a distance of approximately 2 meters. When it's dark, that is when the night vision LEDs are switched on, the images on the parent unit will be displayed in black and white.
- Attention: infra-red light cannot be perceived by the human eye; that means you cannot tell whether the infra-red LEDs are switched on with the naked eye.*

#### TEMPERATURE IN THE BABY ROOM:

- The upper middle part of the display shows the temperature of the space in which the baby unit is placed. Refer to the next chapter to assign a minimum or maximum limit to this temperature display with an alarm.
- Please keep in mind that the temperature is only indicative and you must consider a possible deviation of +/- 2 degrees.

### TIPS & REMARKS

#### INTERFERENCE-FREE:

- This baby display monitor is digitally coded. This means you will never receive signals from other devices, nor can the signal from your baby unit(s) be received by e.g. your neighbors.
- In case the baby unit(s) or parent unit is placed in or in the close vicinity of electromagnetic fields, the signal (images or sound) can be slightly affected. If this happens, try a different location for the baby unit(s) or parent unit or move, if possible, the source of the interference.

#### EAVESDROPPING/WIRETAPPING:

- Eavesdropping/wiretapping of the signals from this baby video monitor is nearly impossible. Not only must one be within range of the baby video monitor, one also needs some very costly equipment.

#### MAINTENANCE:

- Only clean the baby monitor with a moist cloth; never use chemical cleaners. Before any cleaning, you must disconnect the adaptors.

#### RANGE:

- The baby display monitor has a range of up to 300 meters in an open field and up to 50 meters indoors; this range depends on local circumstances.

#### DELAY IN IMAGES AND SOUND:

- The baby unit transmits the images and sound to the parent unit in digital blocks. The parent unit converts these signals back to a recognizable image and a comprehensible sound. Therefore, there is a small delay between the moment of movement and making sounds and the display and sounds of the parent unit.
- Besides that, the sounds and images on the parent unit are not exactly simultaneous.