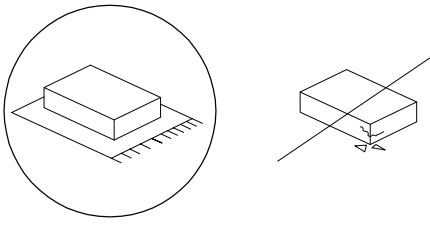
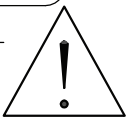

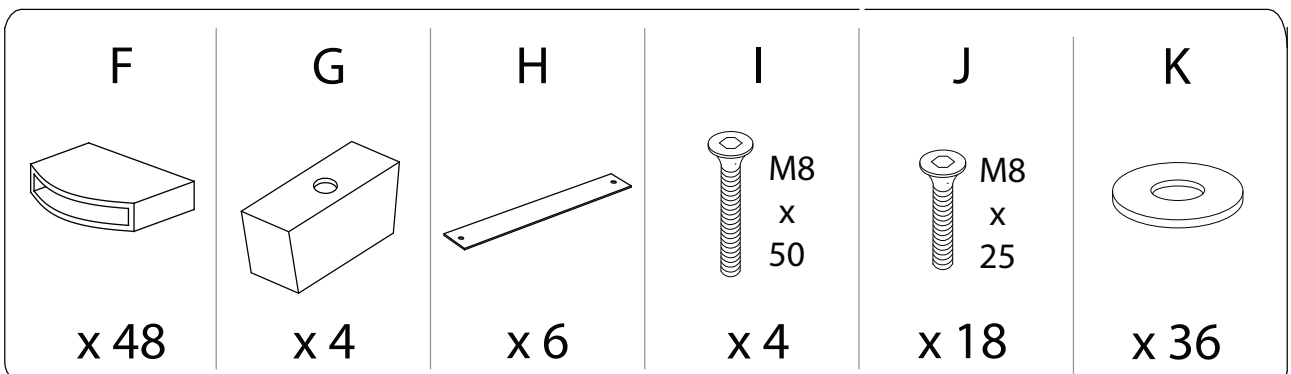
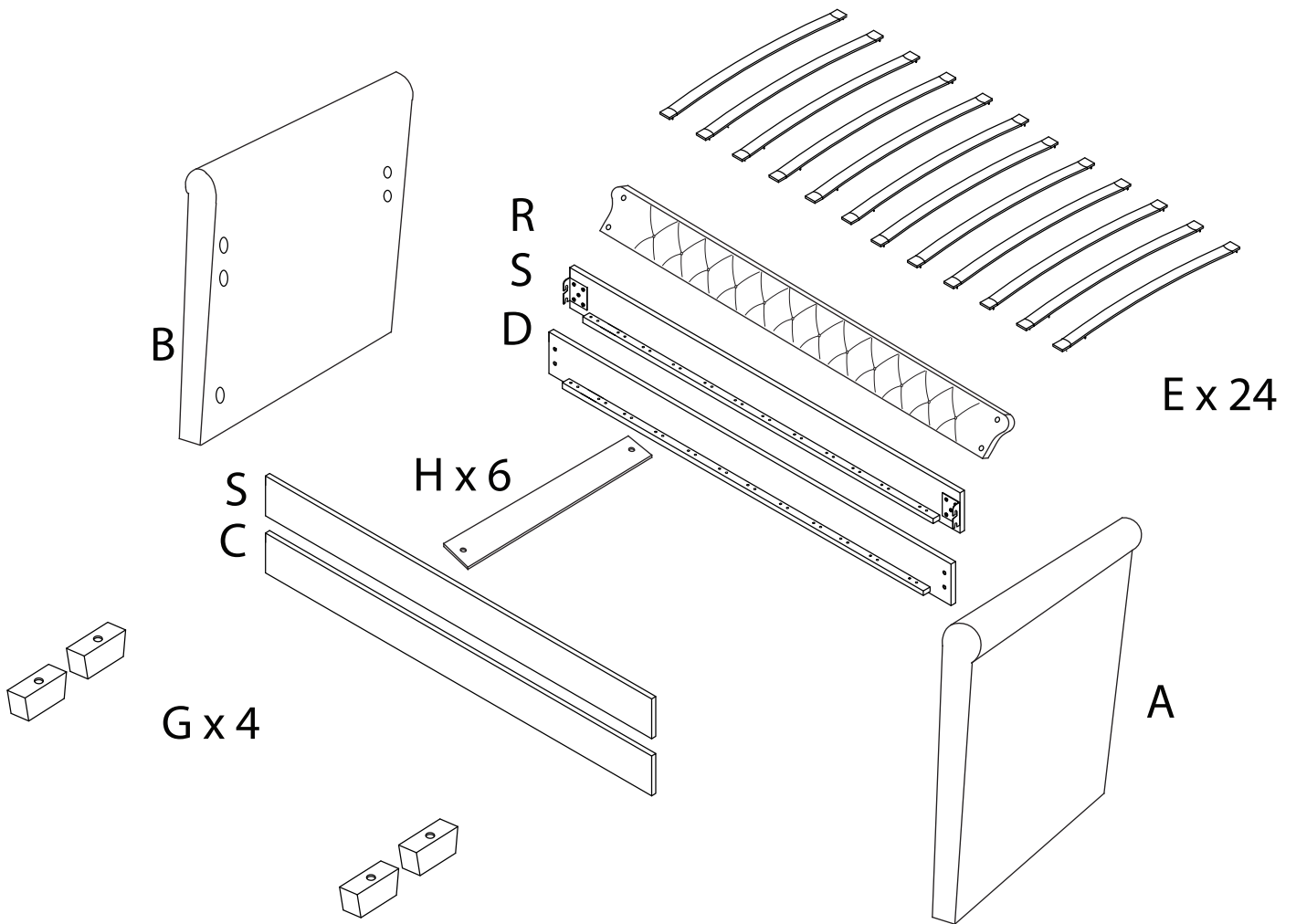
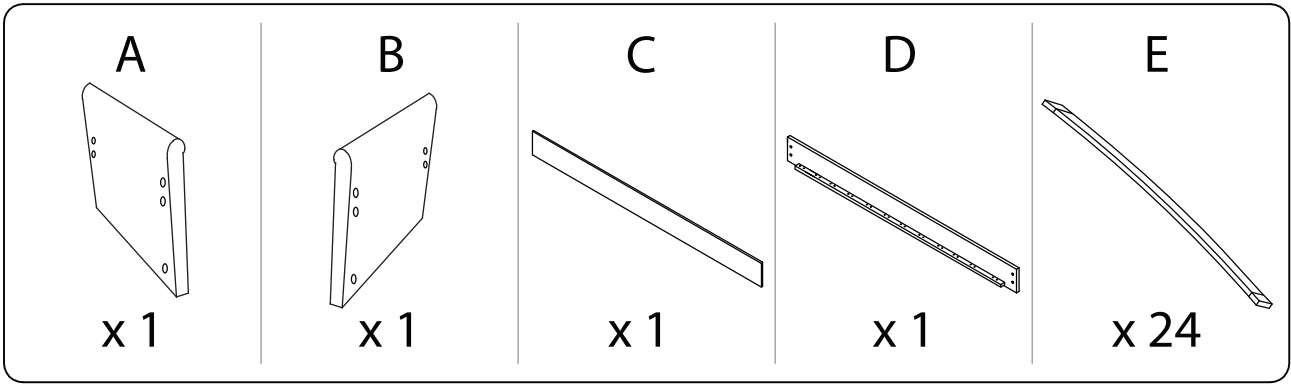

		45'
		
		2

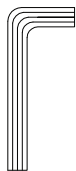


L



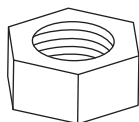
x 36

M



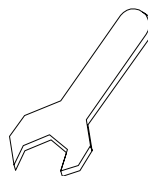
x 1

N



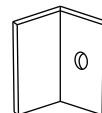
x 12

O



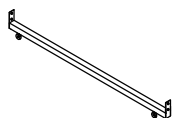
x 1

P



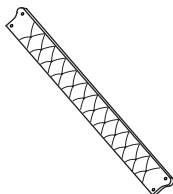
x 2

Q



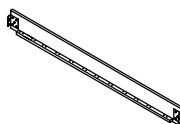
x 2

R



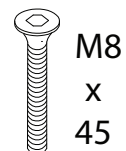
x 1

S



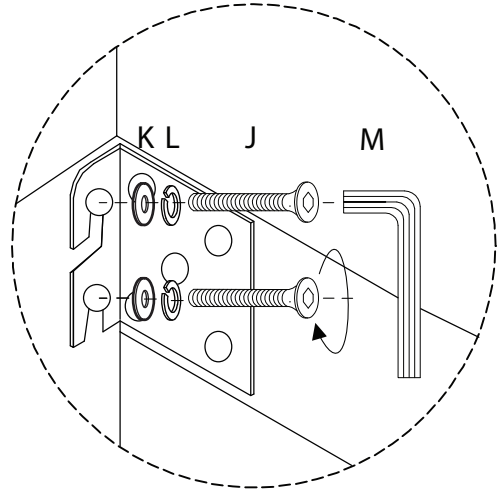
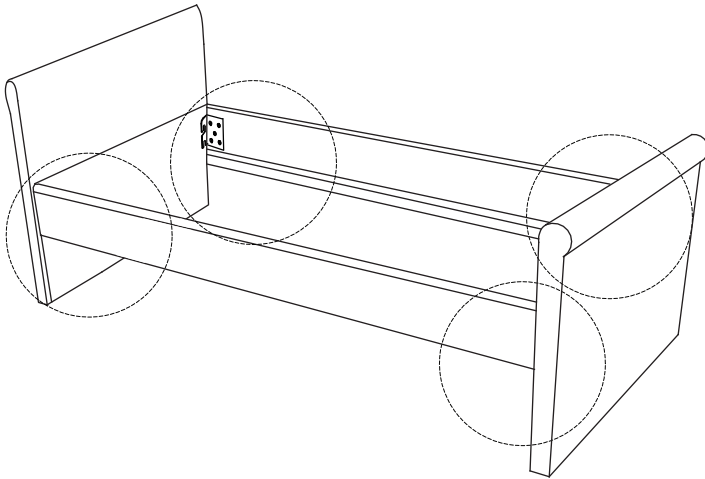
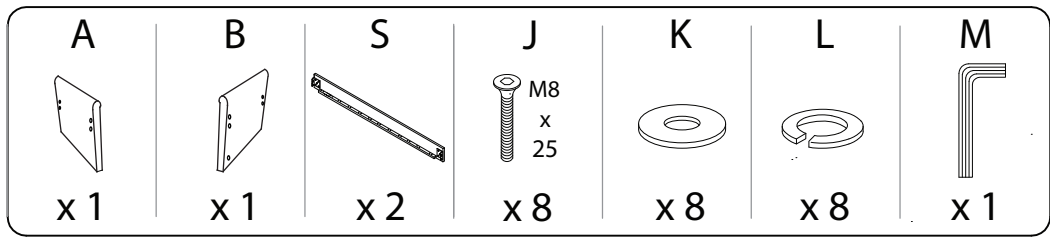
x 2

T

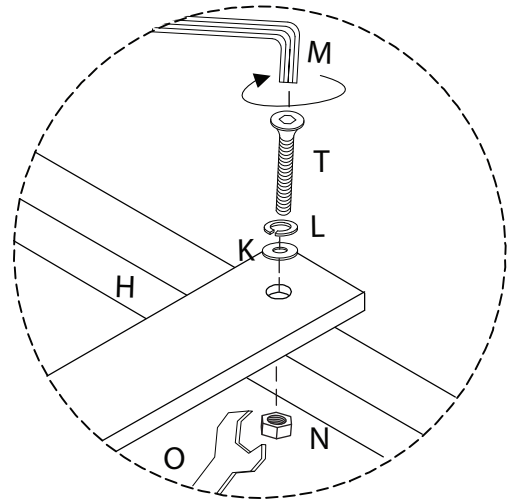
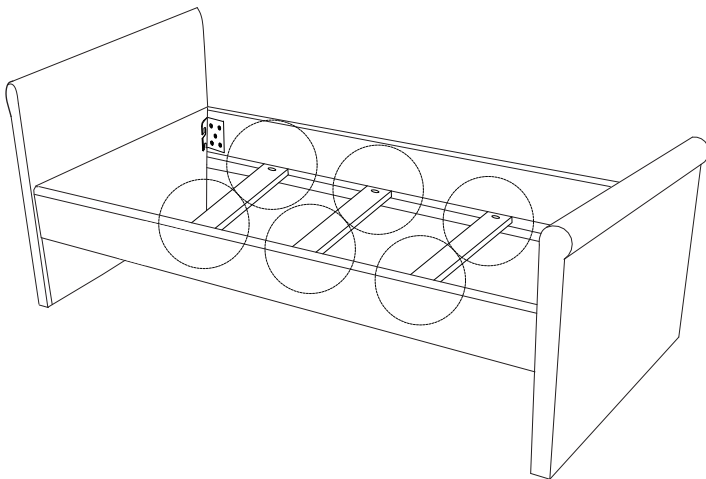
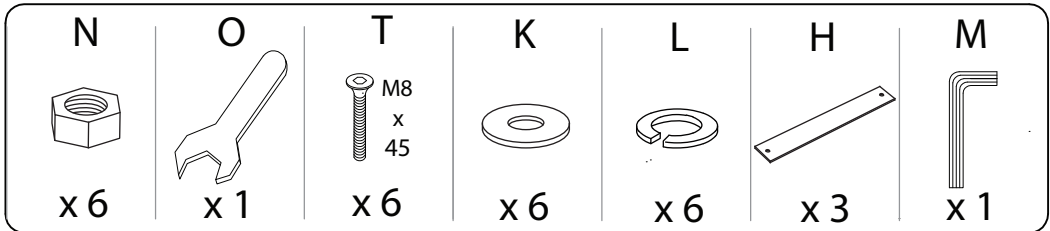


x 16

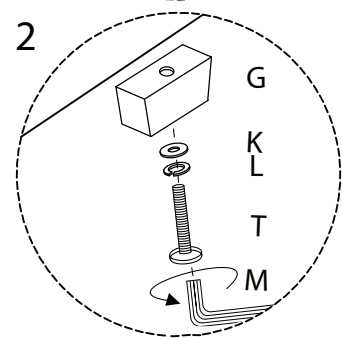
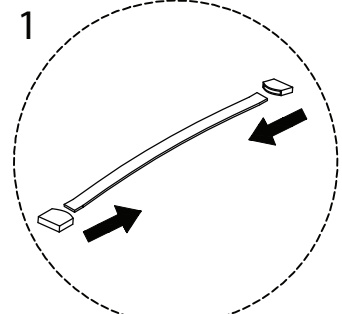
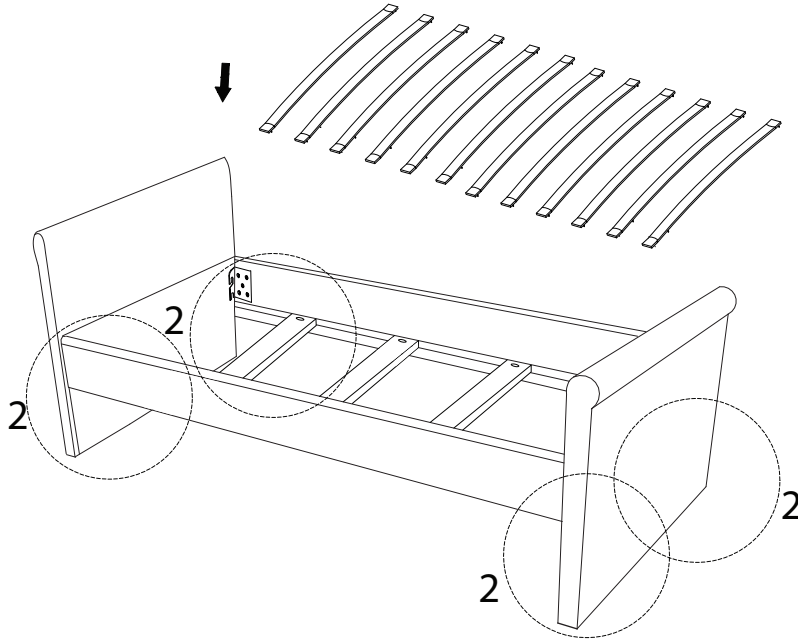
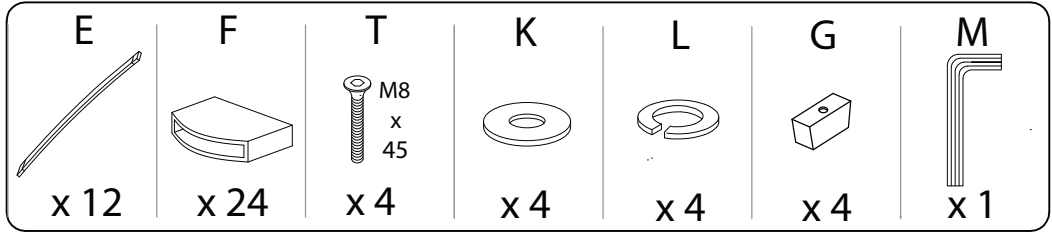
1



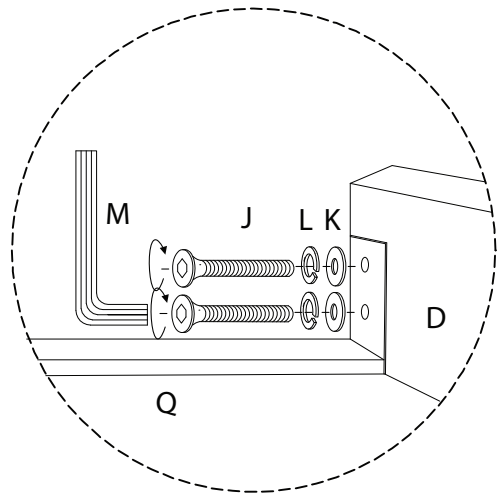
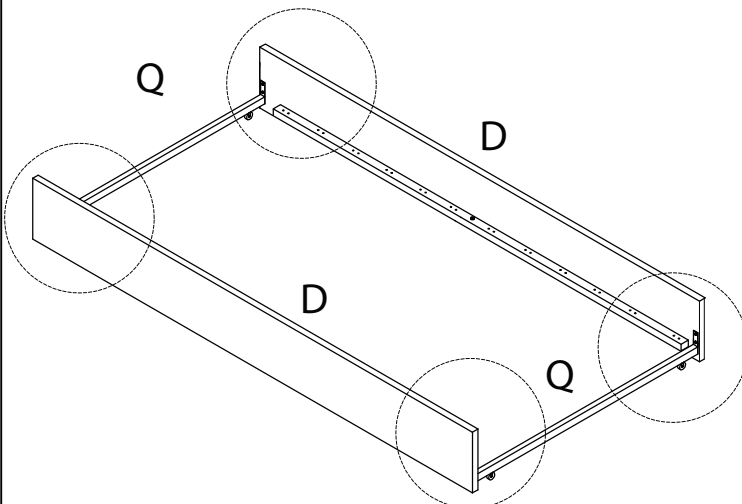
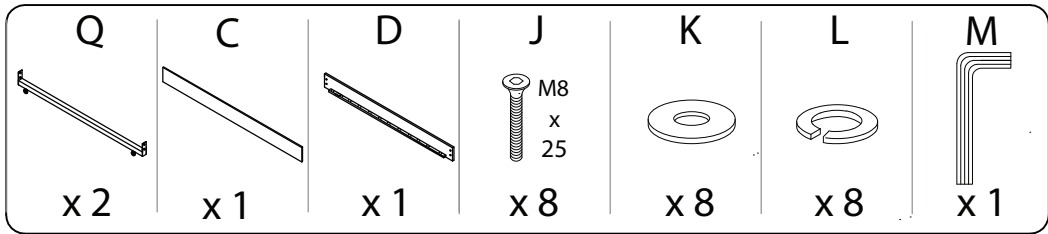
2



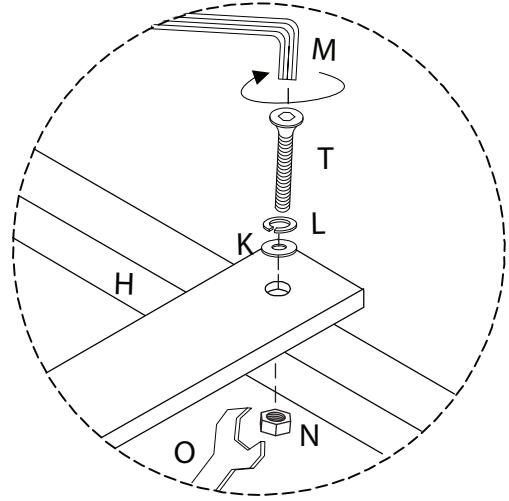
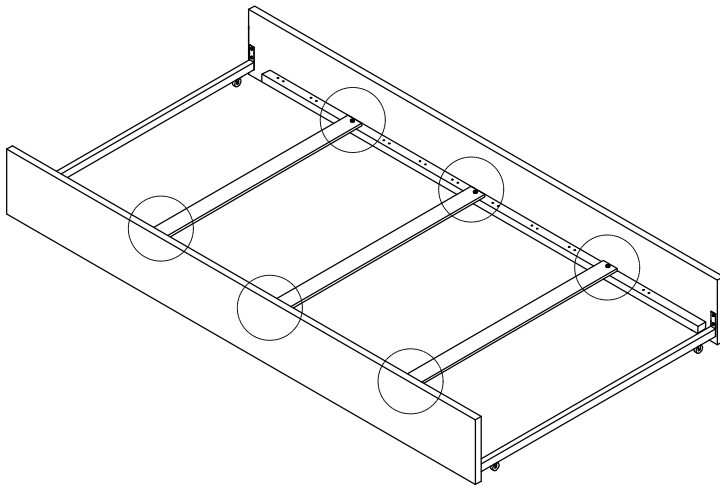
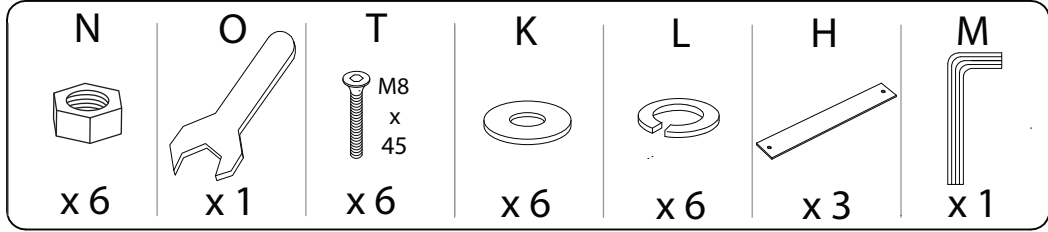
3



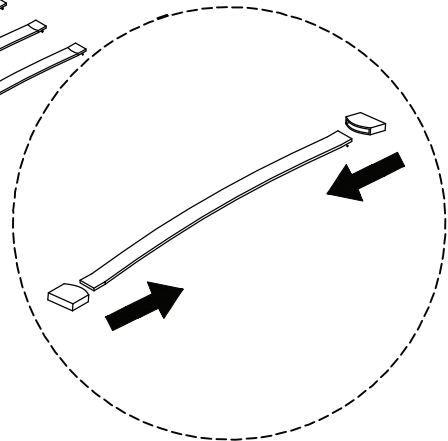
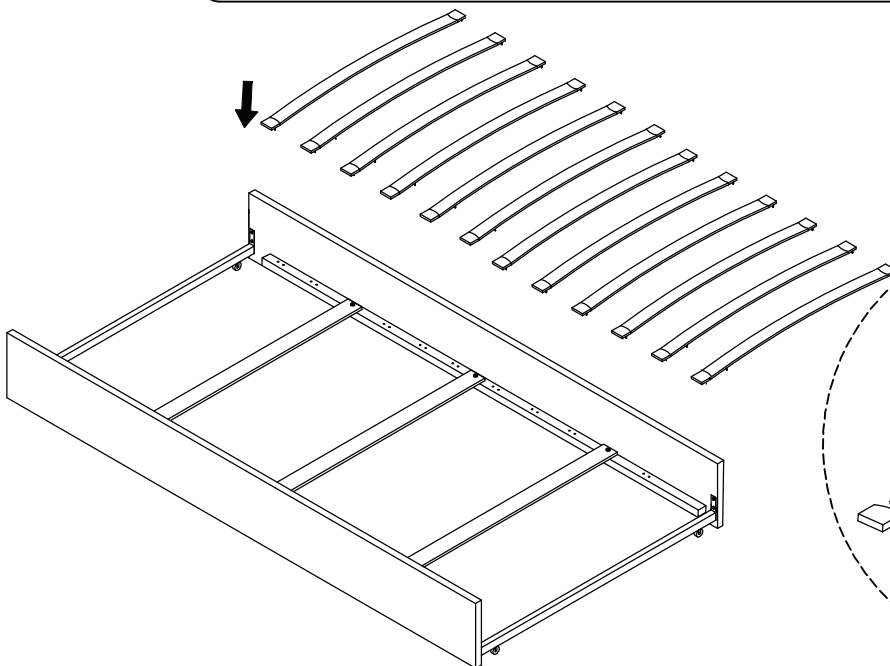
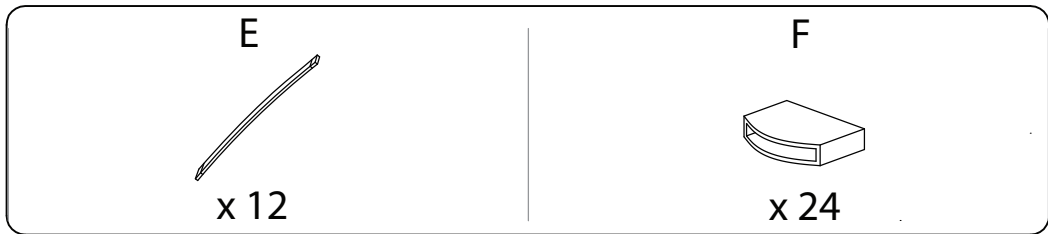
4



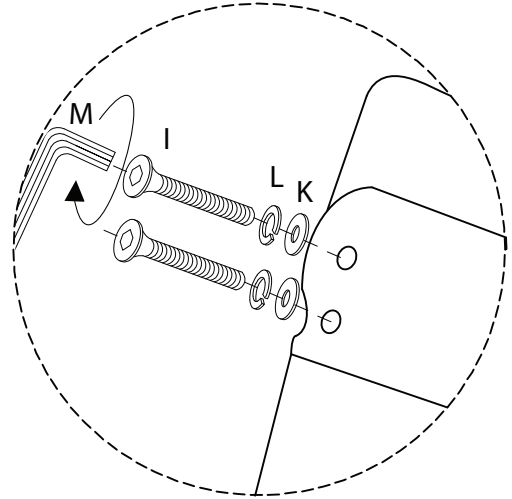
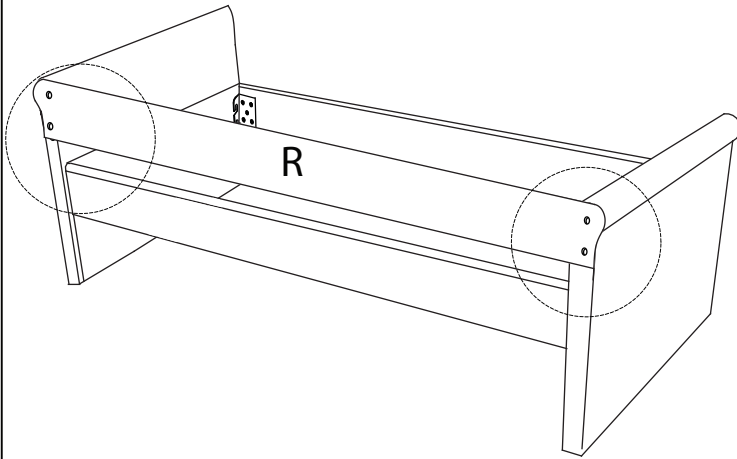
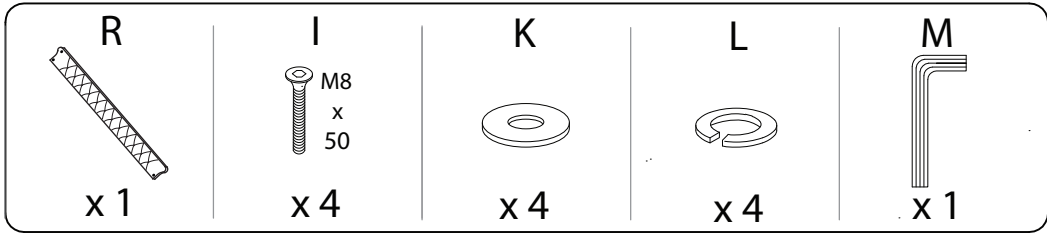
5



6



7



8

