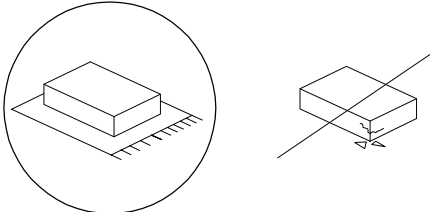
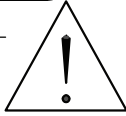

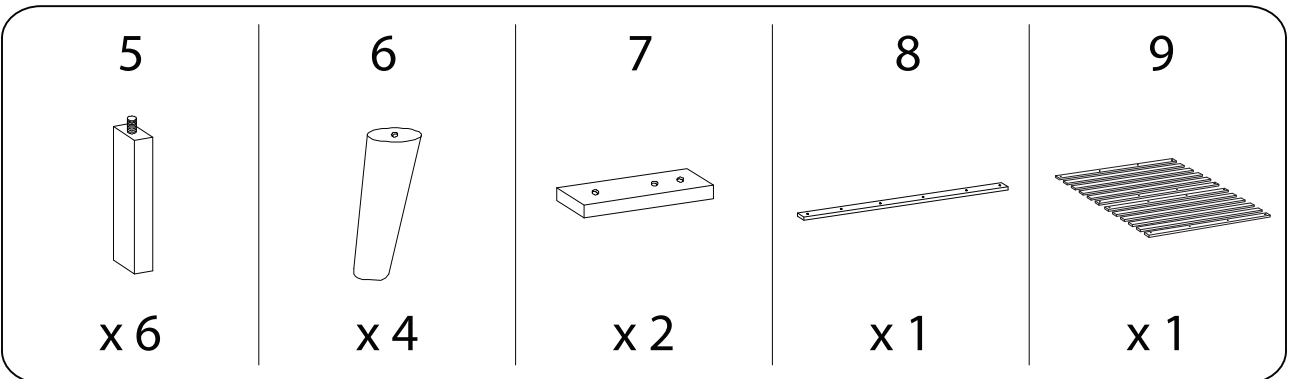
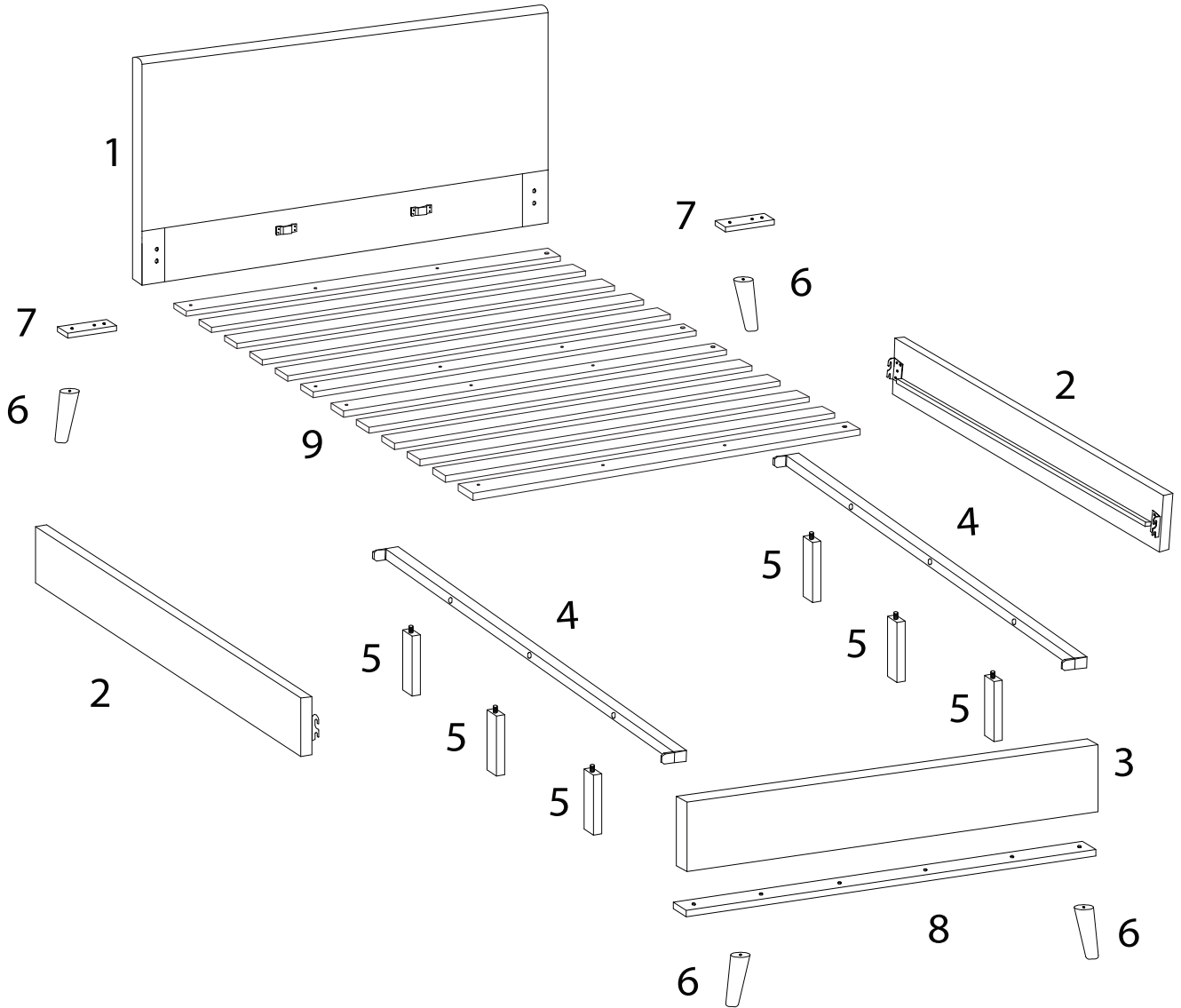
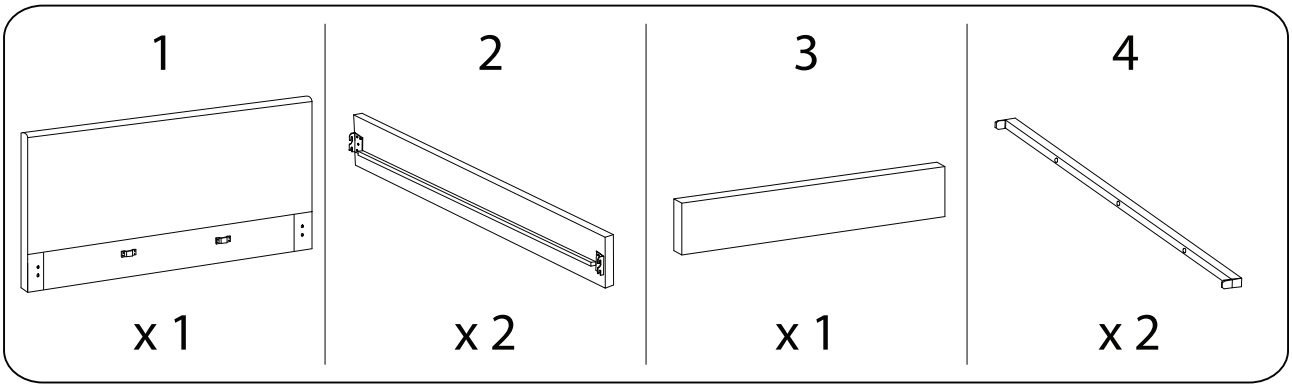
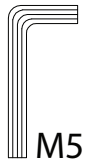

		<b>40'</b>
		
		<b>2</b>

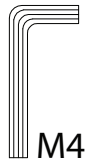


A



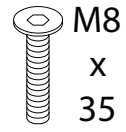
x 1

B



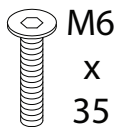
x 1

C



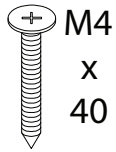
x 4

D



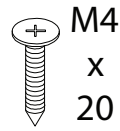
x 8

E



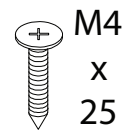
x 4

F





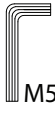

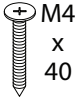
x 4

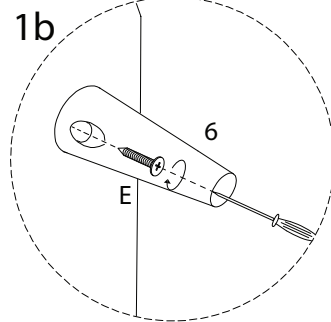
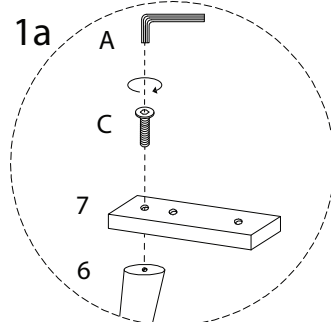
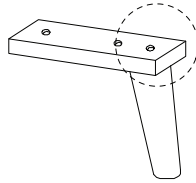
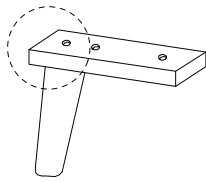
G







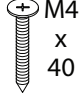
x 16

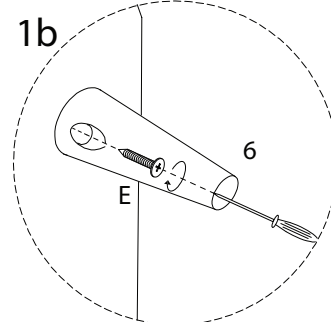
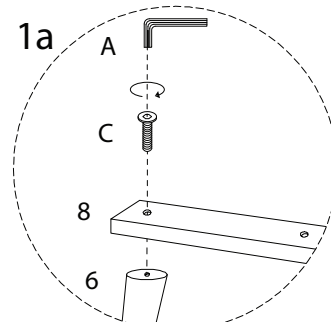
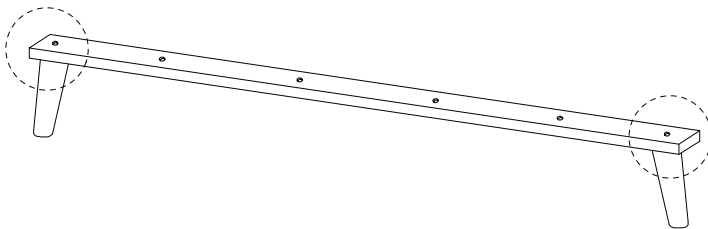
1

<p>6</p>  <p>x 2</p>	<p>7</p>  <p>x 2</p>	<p>A</p>  <p>M5</p> <p>x 1</p>	<p>C</p>  <p>M8 x 35</p> <p>x 2</p>	<p>E</p>  <p>M4 x 40</p> <p>x 2</p>
---	---	---	--	--

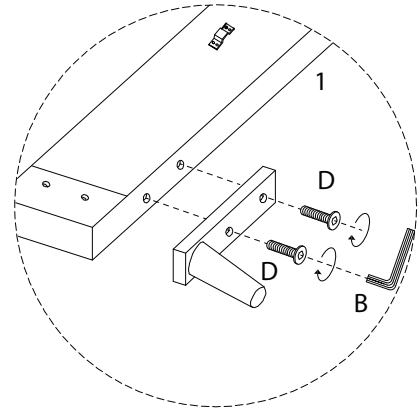
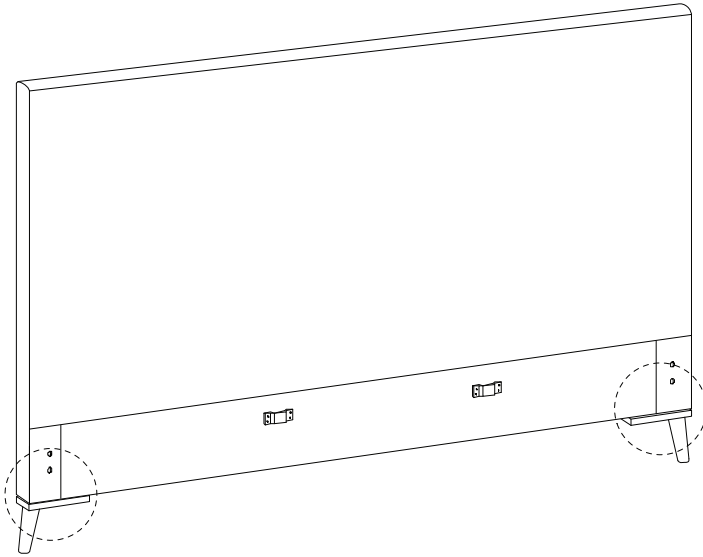
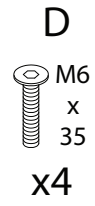
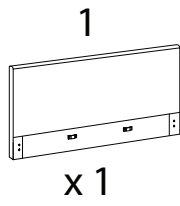


2

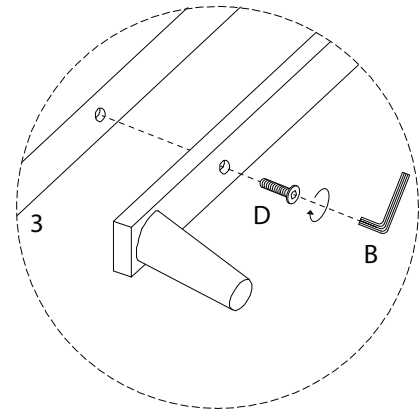
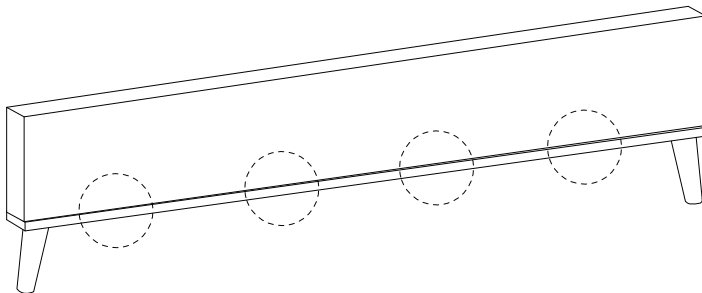
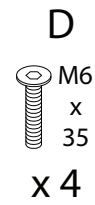
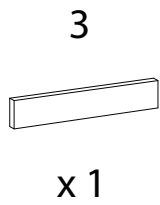
<p>6</p>  <p>x 2</p>	<p>8</p>  <p>x 1</p>	<p>A</p>  <p>M5</p> <p>x 1</p>	<p>C</p>  <p>M8 x 35</p> <p>x 2</p>	<p>E</p>  <p>M4 x 40</p> <p>x 2</p>
---	---	---	--	--



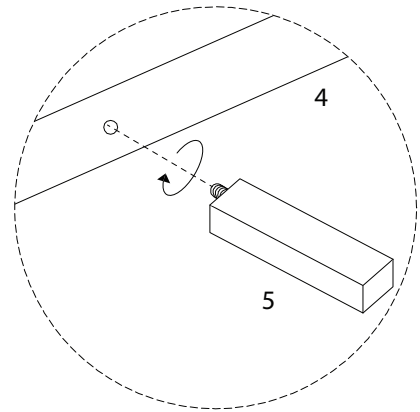
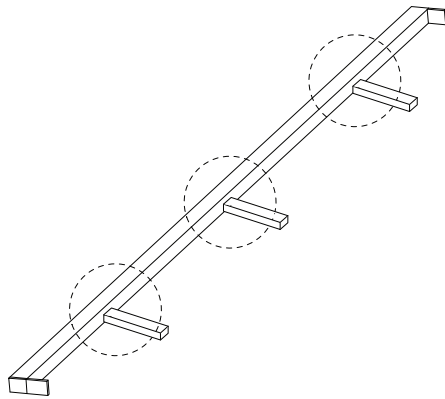
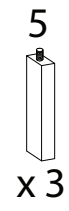
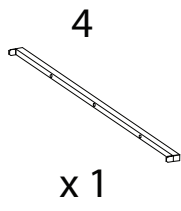
3



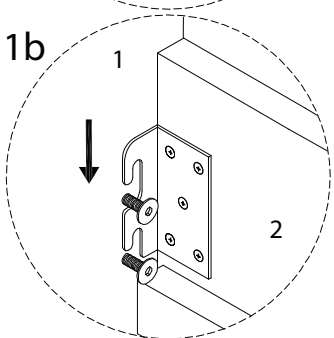
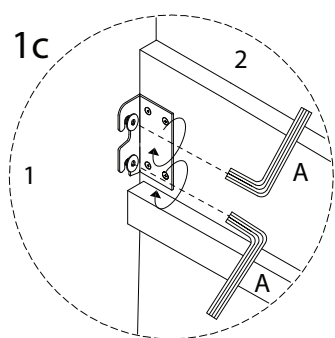
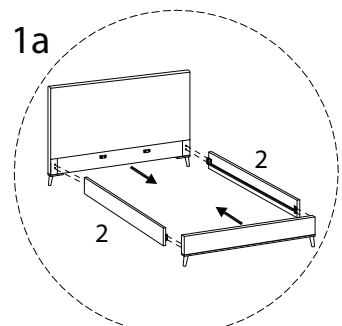
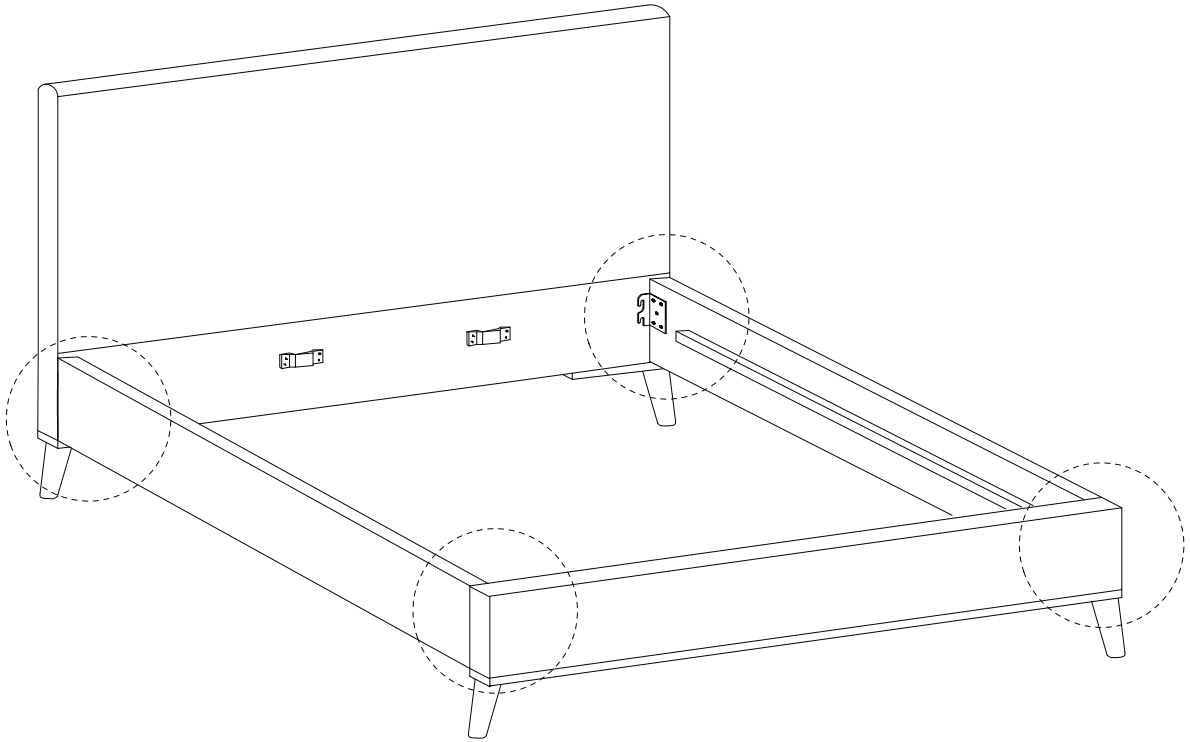
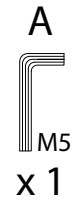
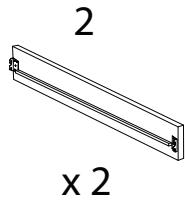
4



5 x 2



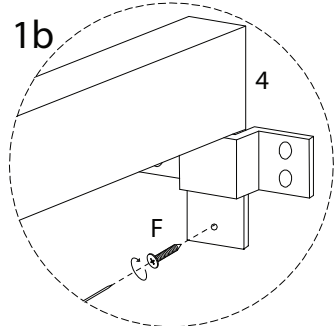
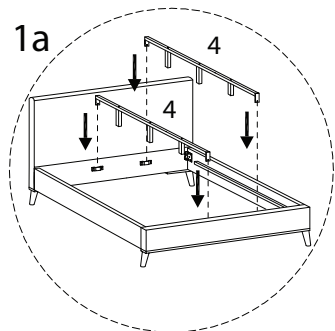
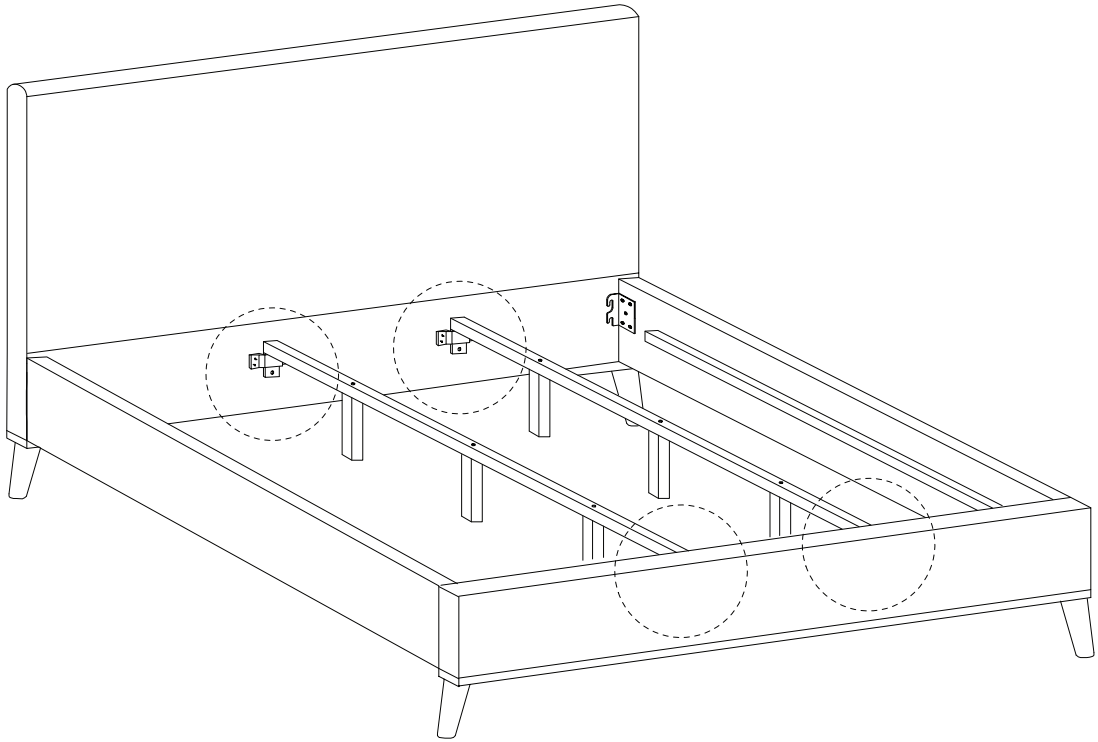
6



7

F

M4  
x  
20  
x 4





8

9



x 1

G



x 16

