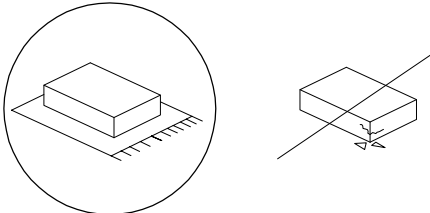
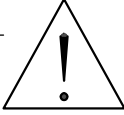

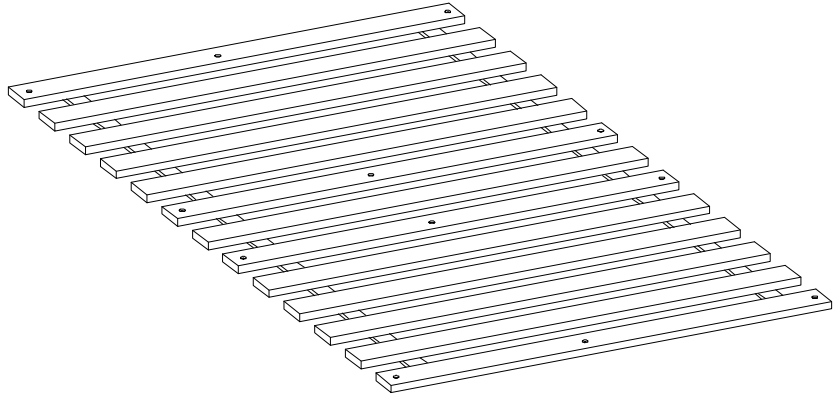
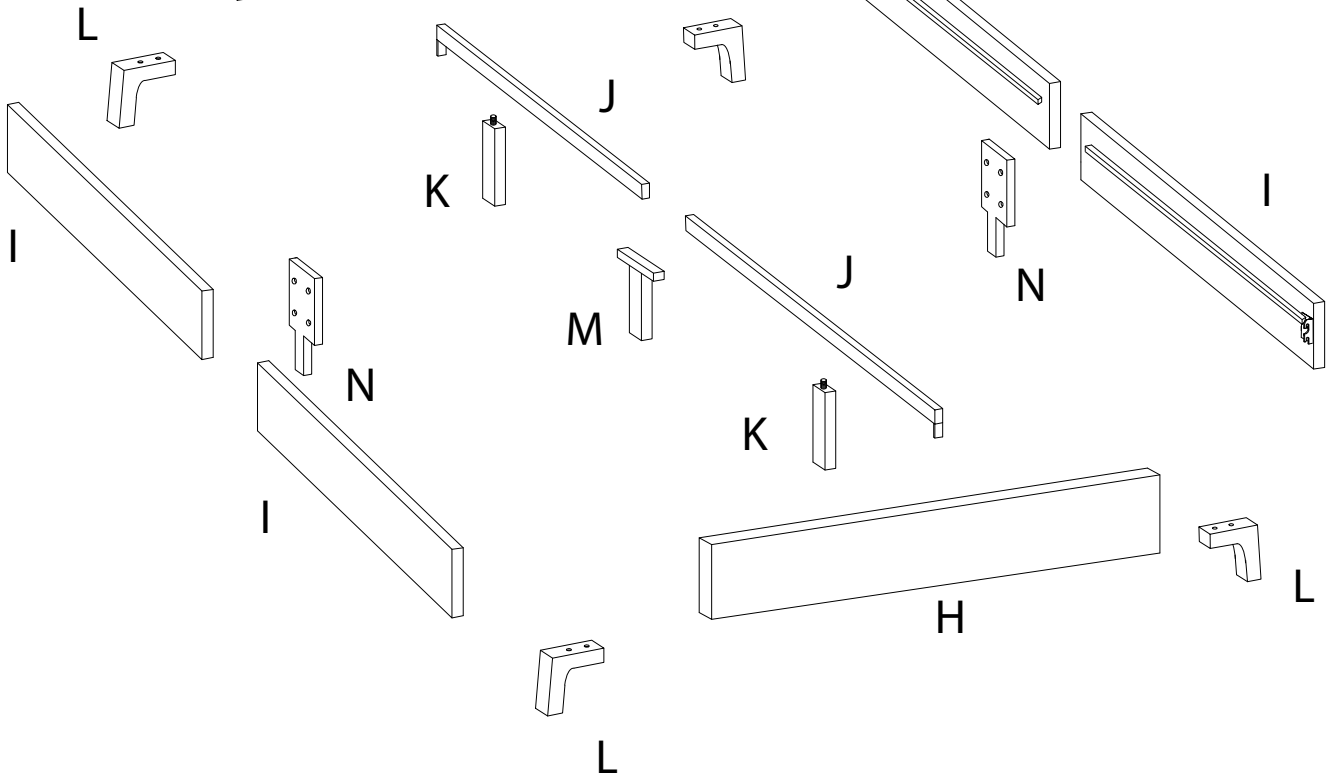
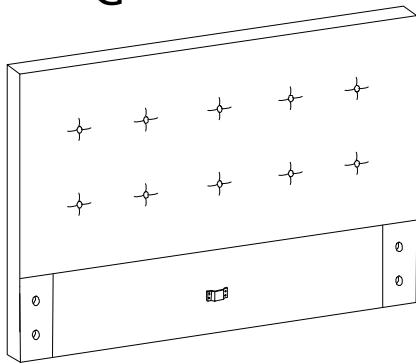

		40'
		
		2

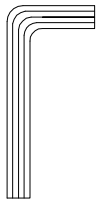
O



G

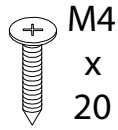


A



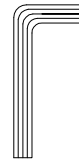
x 1

B



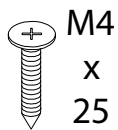
x 2

C



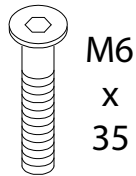
x 1

D



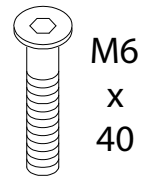
x 12

E



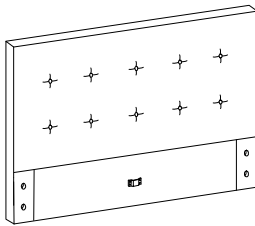
x 10

F



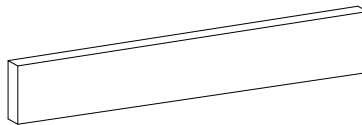
x 8

G



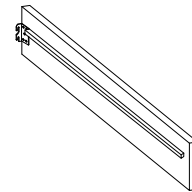
x 1

H



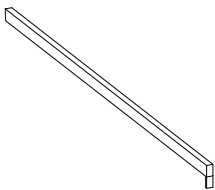
x 1

I



x 4

J



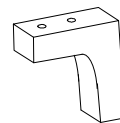
x 2

K



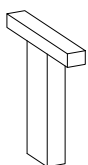
x 2

L



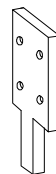
x 4

M



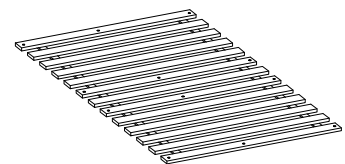
x 1

N



x 2

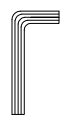
O



x 1

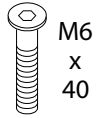
1

C



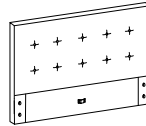
x 1

F



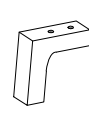
x 4

G

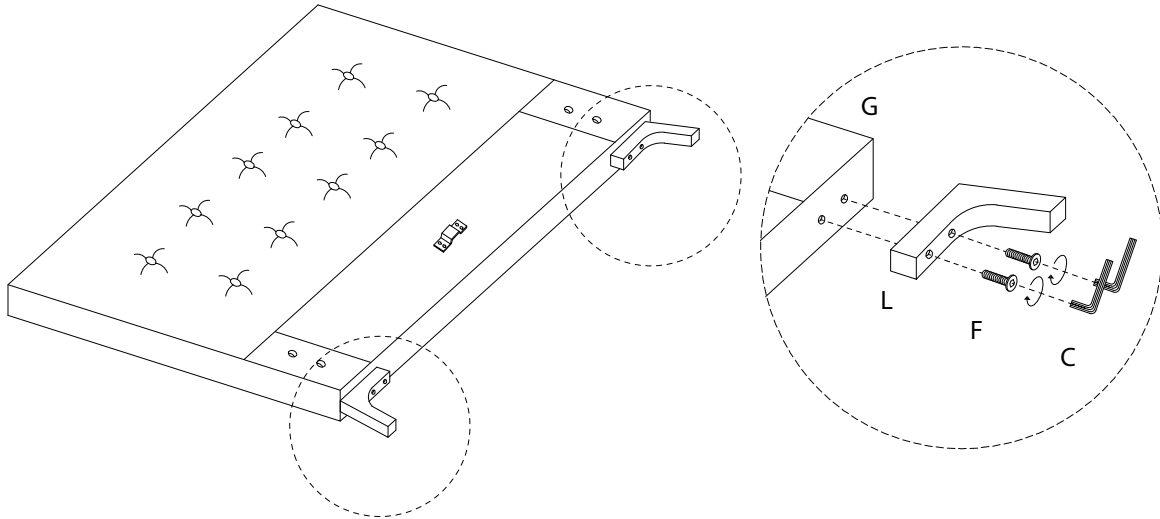


x 1

L

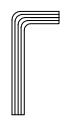


x 2



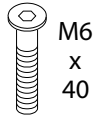
2

C



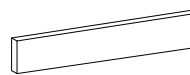
x 1

F



x 4

H

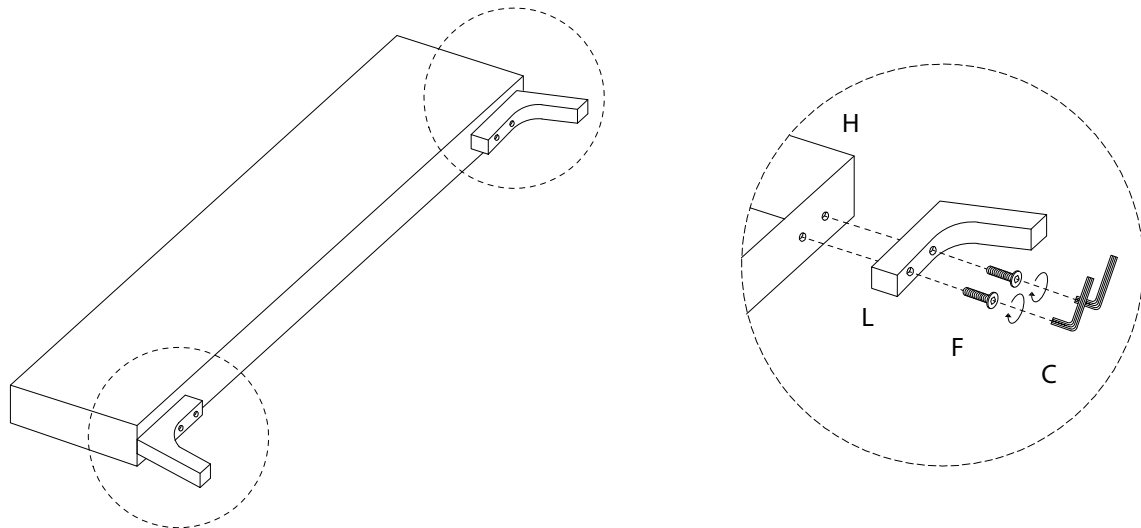


x 1

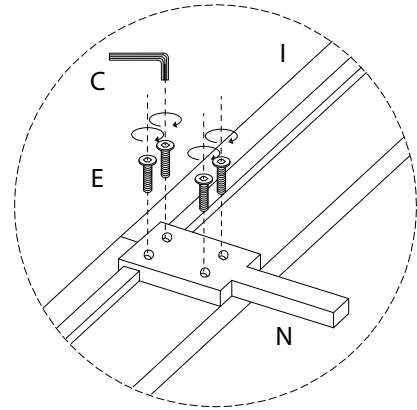
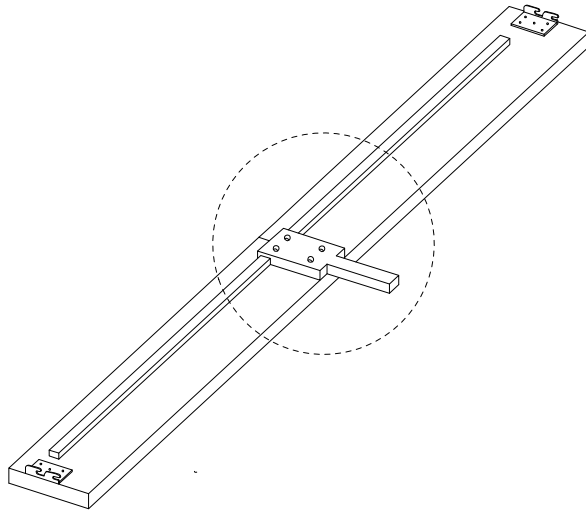
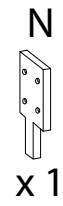
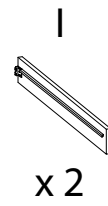
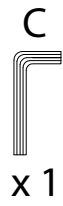
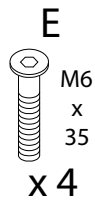
L



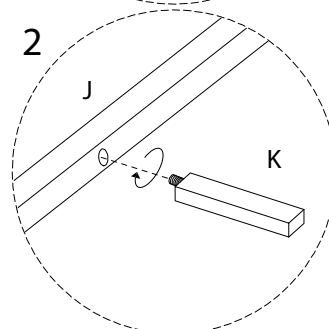
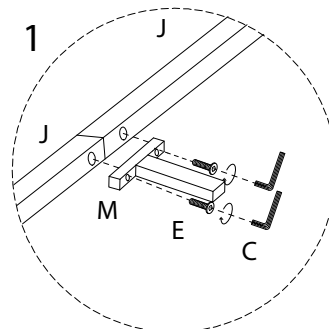
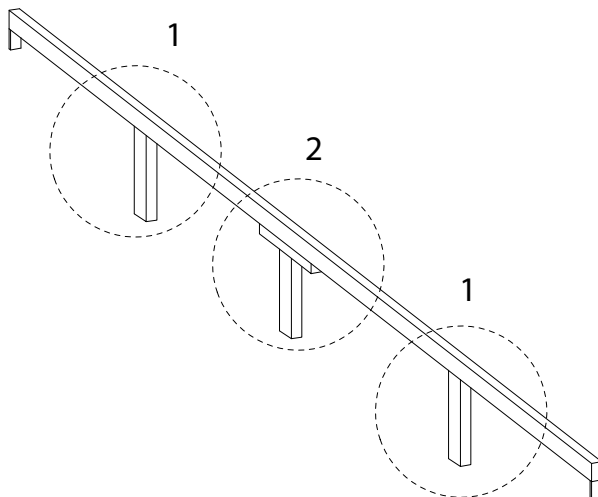
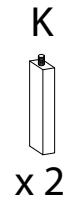
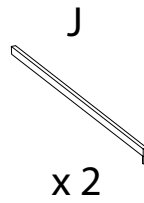
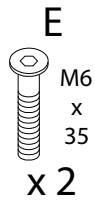
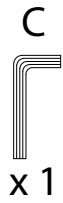
x 2



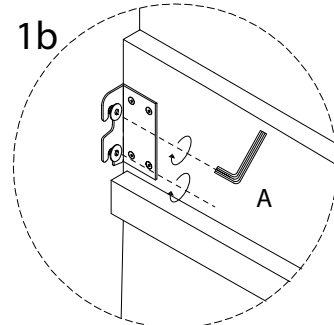
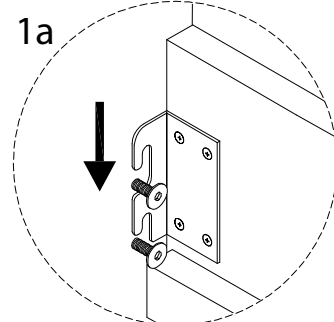
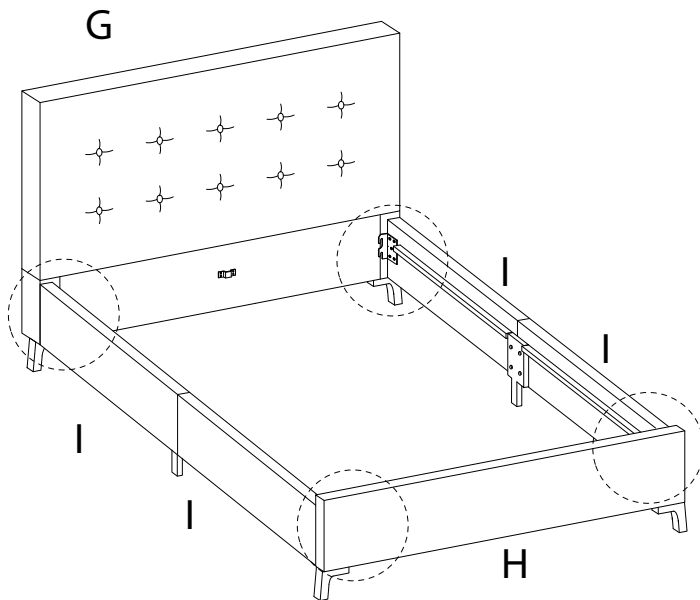
3 x 2



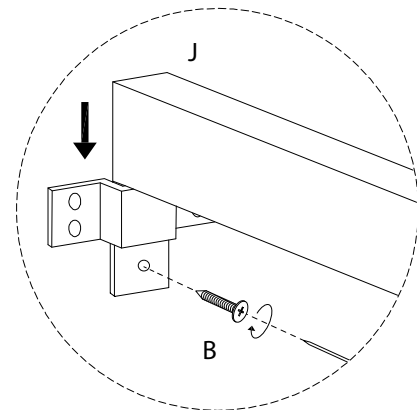
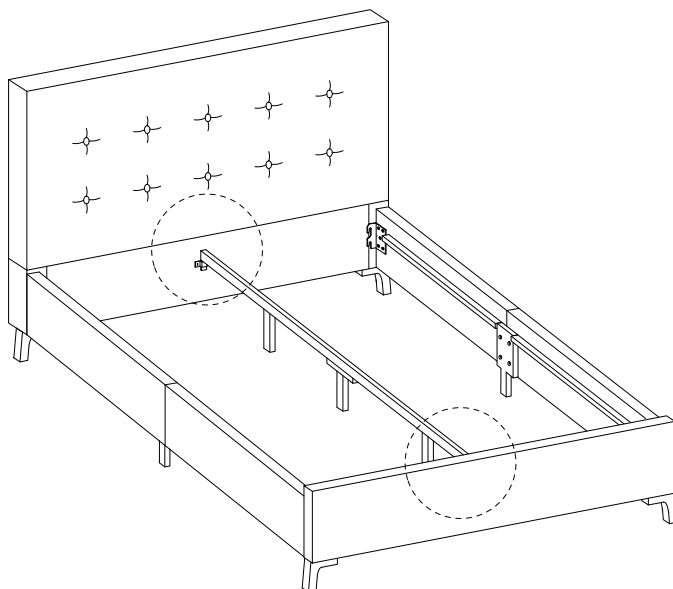
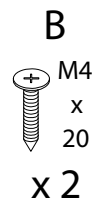
4



5



6



7

D

M4
x
25
x 12

O

x 1

