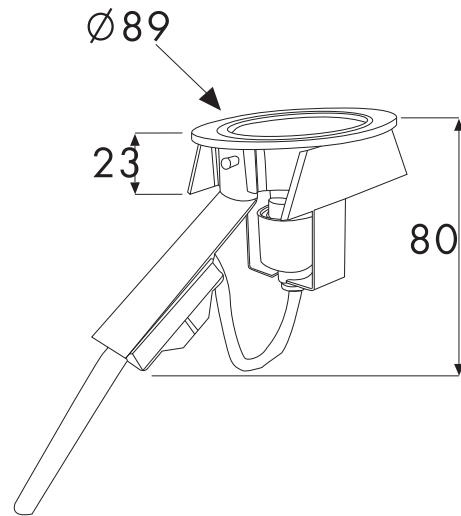
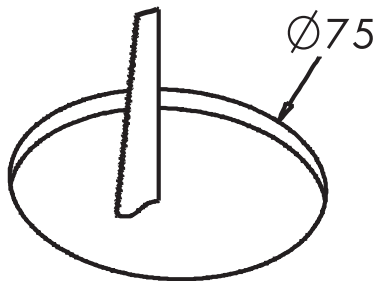
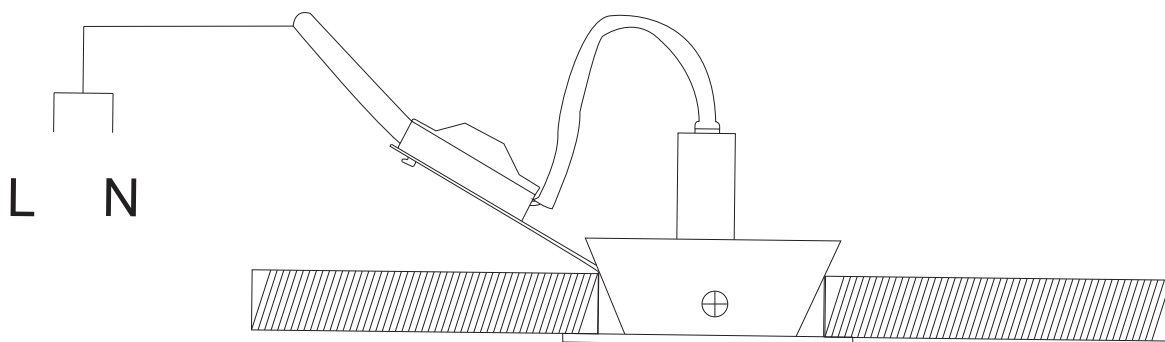


# INSTRUCTION MANUAL

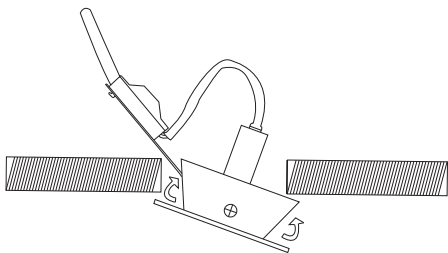
Cisco DL



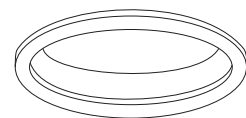
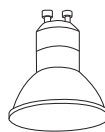
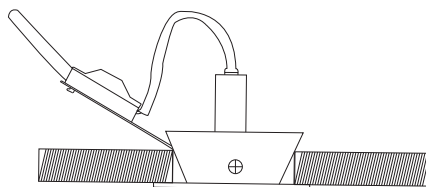
INPUT: AC220~240V



INPUT: AC220~240V



INPUT: AC220~240V



Gu10 1\*Max.50W