

# Lenco

**Model No: LS-300**



**User Manual – Turntable with bluetooth and wooden speakers**

**Gebruikershandleiding – Platenspeler met Bluetooth en  
houten luidsprekers**

**Bedienungsanleitung – Plattenspieler mit Bluetooth und Holzlautsprechern**

**Mode d'emploi – Tourne-disque avec Bluetooth et haut-parleurs en bois**

**Manual de usuario – Tocabiscos con Bluetooth y altavoces de madera**

**Руководство пользователя – Виниловый проигрыватель с Bluetooth и  
внешними динамиками**

**Manuale d'uso – Giradischi con bluetooth e altoparlanti in legno**

Index	
English .....	3
Nederlands .....	10
Deutsch .....	17
Français .....	24
Español .....	31
Русский .....	38
Italiano .....	48

**CAUTION:**

Usage of controls or adjustments or performance of procedures other than those specified herein may result in hazardous radiation exposure.

**PRECAUTIONS BEFORE USE****KEEP THESE INSTRUCTIONS IN MIND:**

1. Do not cover or block any ventilation openings. When placing the device on a shelf, leave 5 cm (2") free space around the whole device.
2. Install in accordance with the supplied user manual.
3. Keep the device away from heat sources such as radiators, heaters, stoves, candles and other heat-generating products or naked flame. The device can only be used in moderate climates. Extremely cold or warm environments should be avoided. Working temperature between 0° and 35°C.
4. Avoid using the device near strong magnetic fields.
5. Electrostatic discharge can disturb normal usage of this device. If so, simply reset and restart the device following the instruction manual. During file transmission, please handle with care and operate in a static-free environment.
6. Warning! Never insert an object into the product through the vents or openings. High voltage flows through the product and inserting an object can cause electric shock and/or short circuit internal parts. For the same reason, do not spill water or liquid on the product.
7. Do not use in wet or moist areas such as bathrooms, steamy kitchens or near swimming pools.
8. The device shall not be exposed to dripping or splashing and make sure that no objects filled with liquids, such as vases, are placed on or near the apparatus.
9. Do not use this device when condensation may occur. When the unit is used in a warm wet room with damp, water droplets or condensation may occur inside the unit and the unit may not function properly; let the unit stand in power OFF for 1 or 2 hours before turning on the power: the unit should be dry before getting any power.
10. Although this device is manufactured with the utmost care and checked several times before leaving the factory, it is still possible that problems may occur, as with all electrical appliances. If you notice smoke, an excessive build-up of heat or any other unexpected phenomena, you should disconnect the plug from the main power socket immediately.
11. This device must operate on a power source as specified on the specification label. If you are not sure of the type of power supply used in your home, consult your dealer or local power company.
12. Keep away from animals. Some animals enjoy biting on power cords.
13. To clean the device, use a soft dry cloth. Do not use solvents or petrol based fluids. To remove severe stains, you may use a damp cloth with dilute detergent.
14. The supplier is not responsible for damage or lost data caused by malfunction, misuse, modification of the device or battery replacement.
15. Do not interrupt the connection when the device is formatting or transferring files. Otherwise, data may be corrupted or lost.
16. If the unit has USB playback function, the USB memory stick should be plugged into the unit directly. Don't use an USB extension cable because it can cause interference resulting in failing of data.
17. The rating label has been marked on the bottom or back panel of the device.
18. This device is not intended for use by people (including children) with physical, sensory or mental disabilities, or a lack of experience and knowledge, unless they're under supervision or have received instructions about the correct use of the device by the person who is responsible for their safety.
19. This product is intended for non professional use only and not for commercial or industrial use.
20. Make sure the unit is adjusted to a stable position. Damage caused by using this product in an unstable position vibrations or shocks or by failure to follow any other warning or precaution contained within this user manual will not be covered by warranty.
21. Never remove the casing of this device.
22. Never place this device on other electrical equipment.
23. Do not allow children access to plastic bags.
24. Only use attachments/accessories specified by the manufacturer.
25. Refer all servicing to qualified service personnel. Servicing is required when the device has been damaged in any way, such as the power supply cord or the plug, when liquid has been spilled or objects have fallen into the device, when the device has been exposed to rain or moisture, does not operate normally, or has been dropped.
26. Long exposure to loud sounds from personal music players may lead to temporary or permanent hearing loss.
27. If the product is delivered with power cable or AC power adaptor:
  - If any trouble occur, disconnect the AC power cord and refer servicing to qualified personnel.
  - Don't step on or pinch the power adaptor. Be very careful, particularly near the plugs and the cable's exit point. Do not place heavy items on the power adaptor, which may damage it. Keep the entire device out of children's reach! When playing with the power cable, they can seriously injure themselves.

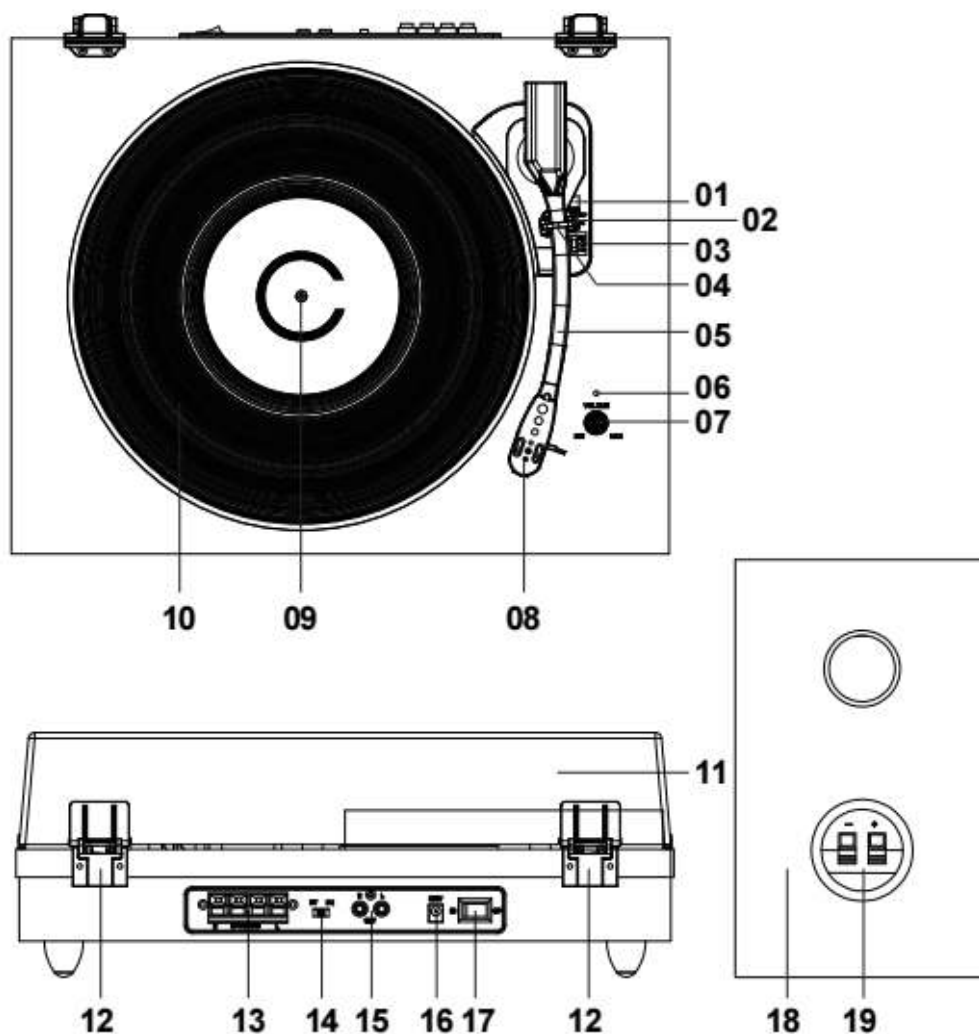
- Unplug this device during lightning storms or when unused for a long period.
  - The socket outlet must be installed near the equipment and must be easily accessible.
  - Do not overload ac outlets or extension cords. Overloading can cause fire or electric shock.
  - Devices with class 1 construction should be connected to a main socket outlet with a protective earthed connection.
  - Devices with class 2 construction do not require a earthed connection.
  - Always hold the plug when pulling it out of the main supply socket. Do not pull the power cord. This can cause a short circuit.
  - Do not use a damaged power cord or plug or a loose outlet. Doing so may result in fire or electric shock.
28. If the product contains or is delivered with a remote control containing coin/cell batteries:
- Warning:
- “Do not ingest battery, Chemical Burn Hazard” or equivalent warning.
  - [The remote control supplied with] This product contains a coin/button cell battery. If the battery is swallowed, it can cause severe internal burns in just 2 hours and can lead to death.
  - Keep new and used batteries away from children.
  - If the battery compartment does not close securely, stop using the product and keep it away from children.
  - If you think batteries might have been swallowed or placed inside any part of the body, seek immediate medical attention.
29. Caution about the use of Batteries:
- Danger of explosion if battery is incorrectly replaced. Replace only with the same or equivalent type.
  - Battery cannot be subjected to high or low extreme temperatures, low air pressure at high altitude during use, storage or transportation.
  - Replacement of a battery with an incorrect type that can result in an explosion or the leakage of flammable liquid or gas.
  - Disposal of a battery into fire or a hot oven, or mechanically crushing or cutting of a battery, that can result in an explosion.
  - Leaving a battery in an extremely high temperature surrounding environment that can result in an explosion or that leakage of flammable liquid or gas.
  - A battery subjected to extremely low air pressure that may result in an explosion or the leakage of flammable liquid or gas.
  - Attention should be drawn to the environmental aspects of battery disposal.

#### **INSTALLATION**

- Unpack all parts and remove protective material.
- Do not connect the unit to the mains before checking the mains voltage and before all other connections have been made.

**\*Those instructions are related only to products using power cable or AC power adaptor.**

## 1. TURNTABLE PARTS:



1. Lift Lever
2. Auto Stop Control Switch
3. Speed Selection Switch
4. Tone Arm Lock
5. Tone Arm
6. Power Led Light Indicator
7. Volume Control Switch
8. Phono Stylus Cartridge
9. Turntable Shaft
10. Turntable Platter
11. Removable Dust Cover
12. Hinge
13. External Speaker Jacks
14. Function Selection Switch
15. RCA Output Jack
16. Power Adaptor Jack
17. Power On/Off Switch
18. External Speakers
19. Speaker Jacks at External Speaker

## SET UP

An AC/DC adaptor with an output of 12V DC 2.0A is included with this Turntable with Bluetooth and Wooden Speakers. The adaptor is required for operating the unit.

Connect the external speaker cables from the External Speaker Jack on the back of the unit to each speaker.

Note: The external speaker cables are color coded, the red cable is plugged into a red jack on both the unit and speakers (black cable into the black jacks).

Firmly and securely insert the DC plug of the adaptor to the DC IN Jack on the back of the unit.

Plug the adaptor's AC plugs into a power outlet rated at 220-240V AV ~ 50 Hz.

Turn on the unit by switching the Power On/Off Switch to the On position. The Power Led Light Indicator will turn on.

**Remark: To avoid Larsen effect or Feedback noise, you can do the following:**

1. Put your speakers at minimum distance of 60 cm or more from your turntable
2. Let the dustcover open when you play a record at higher sound volume

## 2. Listen to a Record

1. Raise the dust cover
2. Slide the Function Selection Switch to the Phono position.
3. Turn on the unit by switching the power On/Off switch to On position. The Power Led Light Indicator will light in RED.
4. Place a record on the turntable platter and set the player speed to match the record speed.

Note: When playing a single (a 45 rpm record) and/or records with large centre holes, use the 45 rpm adaptor.

Remove the needle cartridge protective cover and unlock the tone arm lock from the tone arm rest. Push the lift lever backward, the tone arm will gently rise up. Gently move the tone arm to the desired position over the record and the turntable platter will begin to rotate when the arm is moved towards it. If Auto Stop Control Switch in ON. Release the tone arm onto the turntable by pushing the lift lever forward and the vinyl record will begin to play.

If the Auto Control Switch is turned ON, the record will stop automatically when finished. If Auto Stop Control Switch is turned OFF, the record will NOT stop automatically when finished; you must push the lift lever backward to raise the tone arm and place it back in the rest and then turn off the power to stop the turntable from spinning.

Remark: AUTO STOP function applies to most 33RPM vinyl records. However, for very few vinyl records, it will stop when it does not come to the end, or it will not stop when it comes to the end when AUTO STOP is ON.

## 3. Listen to Bluetooth

An external device with Bluetooth Connectivity can be wirelessly connected to this Turntable using the Bluetooth function.

1. Turn on the unit by switching the Power On/Off Switch to the On Position.
2. Turn the Function Selection Switch to the BT(Bluetooth) position, the Power Led Light Indicator will begin to flash BLUE.
3. Turn your external device's Bluetooth Setting ON. Wait a moment, then look for the Bluetooth pairing name "Lenco LS-300"
4. Select the Bluetooth pairing name, to connect the unit. Once connected, the BLUE Led light will stop flashing.
5. You are now connected to your external device via Bluetooth
6. The best is to put the **volume** level on your Bluetooth device (**smartphone or tablet**) on the **maximum** and adjust the desired listening volume with your turntable volume control switch (07).
7. Connect the RCA Output Jack to the external speaker system with the RCA cable (not provided) to enjoy vinyl records music on your speaker system.

**Re-mark: The LS-300 will go automatically in standby position if there is no audio signal (record or Bluetooth) during 20 minutes (-4/+5 minutes) and that end user should power OFF and ON again on the backside to wake up from the Standby position.**

**In Bluetooth mode, to avoid that the LS-300 is switching off after 20 minutes (for energy saving (ERP2 directive)), you better put the volume of your smartphone or tablet (streaming music to the turntable) between 50% and maximum and control**

the volume with the rotating button of the turntable.

“This product has a bluetooth **reception** function, **you can not transmit any bluetooth sound with it**: this means that you can receive wirelessly a bluetooth sound signal from an external source like a smartphone.”

Lenco	
Turntable	LS-300
Type	Belt drive full manual
Drive Motor	DC motor
Speed	33 1/3 rpm, 45 rpm
Wow and flutter	≤0.35%
Turntable platter	300mm
Cartridge	
Type	N-40/Audio Technica AT3600
Stylus	0.6 mil
Optimum Tracking force	3.5 grams
Output	2.5mV±3dB 1KHz
Frequency response	0dB±3dB 10KHz
Crosstalk	18dB or more 1KHz
Signal-to-noise ratio(S/N)	40dB
General	
ADAPTOR	input AC100-240V~50/60Hz 1.2A output DC12V-2A
PRODUCT	DC12V-2A
Audio Output (Line Out)	400-600mv
Power Consumption	24W
Dimension	424x331x160mm for main unit; 140x177x230mm for speaker
Weight	approx.6.9KGS LS-300WD
Weight	approx.6.9KGS LS-300BK

**Power supply adaptor**

**Manufacturer: Dongguan Liyang Electrical Technology Co., Ltd**

**Model number: LY024SPS-120200Z**

**Use only the power supply listed in the user instructions**

Information	Value and and precision
Manufacturers name or trade mark, commercial registration and address	<b>Dongguan Liyang Electrical Technology Co., Ltd</b> Zone A, 2/F, Building D, Chuangfu Industrial Zone, Dakan Village, Huangjiang Town, 523750, Dongguan City, Guangdong, China
Model Identifier	<b>LY024SPS-120200Z</b>
Input voltage	120-240V
Input AC frequency	50-60Hz
Output voltage	DC 12V
Output current	2A
Output Power	24W
Average active efficiency	87.89%
Efficiency at low load (10%)	82.77%
No load Power consumption	0.08



## 1. Guarantee

Lenco offers service and warranty in accordance to European law, which means that in case of repairs (both during and after the warranty period) you should contact your local dealer.

Important note: It is not possible to send products that need repairs to Lenco directly.

Important note: If this unit is opened or accessed by a non-official service center in any way, the warranty expires.

This device is not suitable for professional use. In case of professional use, all warranty obligations of the manufacturer will be voided.

## 2. Disclaimer

Updates to Firmware and/or hardware components are made regularly. Therefore some of the instruction, specifications and pictures in this documentation may differ slightly from your particular situation. All items described in this guide for illustration purposes only and may not apply to particular situation. No legal right or entitlements may be obtained from the description made in this manual.

## 3. Disposal of the Old Device



This symbol indicates that the relevant electrical product or battery should not be disposed of as general household waste in Europe. To ensure the correct waste treatment of the product and battery, please dispose them in accordance to any applicable local laws of requirement for disposal of electrical equipment or batteries. In so doing, you will help to conserve natural resources and improve standards of environmental protection in treatment and disposal of electrical waste (Waste Electrical and Electronic Equipment Directive).

## 4. CE Marking

Hereby, Lenco Benelux B.V., Thermiekstraat 1a, 6361 HB Nuth, The Netherlands, declares that this product is in compliance with the essential EU directive requirements.

The declaration of conformity may be consulted via [techdoc@commaxxgroup.com](mailto:techdoc@commaxxgroup.com)



## 5. Service

For more information and helpdesk support, please visit [www.lenco.com](http://www.lenco.com)

Lenco Benelux BV, Thermiekstraat 1a, 6361 HB Nuth, The Netherlands.

**LET OP:**

Het gebruik van afstandsbedieningen of aanpassingen of de uitvoering van procedures die niet in dit document zijn gespecificeerd, kan leiden tot gevaarlijke blootstelling aan straling.

**VOORZORGSMAATREGELEN VOOR GEBRUIK****ONTHOUD DE VOLGENDE INSTRUCTIES:**

1. Bedek of blokkeer de ventilatieopeningen niet. Wanneer u het apparaat op een schap plaatst, dient u 5 cm (2") vrije ruimte rondom het gehele apparaat te behouden.
2. Installeer het product volgens de meegeleverde gebruikershandleiding.
3. Houd het apparaat uit de buurt van hittebronnen, zoals radiatoren, verwarmingen, kachels, kaarsen en andere hittegenererende producten of open vuur. Het apparaat kan alleen worden gebruikt in een gematigd klimaat. Extreem koude of warme omgevingen dienen te worden vermeden. Het bedrijfstemperatuurbereik ligt tussen 0 °C en 35 °C.
4. Gebruik dit apparaat niet in de buurt van krachtige magnetische velden.
5. Elektrostatische ontlading kan normaal gebruik van dit apparaat verstoren. U hoeft het apparaat in dit geval slechts te resetten en opnieuw op te starten volgens de gebruikershandleiding. Wees voorzichtig tijdens bestandsoverdracht en gebruik het product in een omgeving zonder statische interferentie.
6. Waarschuwing! Steek nooit een voorwerp via de ventilatie- of andere openingen in het product. Er is hoogspanning in het product aanwezig en als u er een object insteekt, kan dat een elektrische schok veroorzaken en/of kortsluiting in de interne onderdelen. Mors om dezelfde reden geen water of vloeistof op het product.
7. Gebruik het toestel niet in vochtige ruimtes, zoals badkamers, stomende keukens of in de buurt van zwembaden.
8. Het apparaat mag niet worden blootgesteld aan druppels en spetters en zorg ervoor dat er geen met vloeistof gevulde voorwerpen, zoals vazen, op of in de buurt van het apparaat worden geplaatst.
9. Gebruik dit apparaat niet wanneer condensatie kan optreden. Wanneer het apparaat in een warme, natte ruimte wordt gebruikt, kunnen zich waterdruppels of condens vormen in het apparaat en kan het apparaat niet goed functioneren. Laat het apparaat 1 of 2 uur uit staan voordat u het inschakelt: het apparaat dient droog te zijn voordat deze stroom ontvangt.
10. Alhoewel dit apparaat met grote zorg gefabriceerd en verschillende keren geïnspecteerd is voordat het de fabriek verlaat, is het nog steeds mogelijk dat er problemen optreden, zoals met alle elektrische apparaten. Als u rook, een overmatige hitteontwikkeling of enig ander onverwacht verschijnsel opmerkt, moet u onmiddellijk de stekker van het netsnoer uit het stopcontact halen.
11. Dit apparaat moet worden gebruikt met een voedingsbron zoals gespecificeerd op het specificatielabel. Als u twijfelt over het type voeding dat gebruikt wordt in uw huis, raadpleeg dan uw dealer of plaatselijk energiebedrijf.
12. Buiten bereik van dieren houden. Sommige dieren kauwen graag op voedingskabels.
13. Gebruik een zacht, droog doekje om het apparaat te reinigen. Gebruik geen oplosmiddelen of op benzine gebaseerde vloeistoffen. U kunt een vochtig doekje met verdund schoonmaakmiddel gebruiken om hardnekkige vlekken te verwijderen.
14. De leverancier is niet verantwoordelijk voor schade of verloren gegevens veroorzaakt door storing, misbruik, modificatie van het apparaat of batterijvervangning.
15. Onderbreek nooit de verbinding wanneer het apparaat formateert of bestanden overdraagt. De gegevens kunnen anders corrupt of verloren raken.
16. Indien het apparaat een USB-afspeelfunctie heeft, moet de USB-geheugenstick rechtstreeks op het apparaat worden aangesloten. Gebruik geen USB-verlengkabel, omdat die kan leiden tot storingen met foutieve gegevens als gevolg.
17. Het classificatielabel bevindt zich op de onderkant of het achterpaneel van het apparaat.
18. Dit hulpmiddel is niet bedoeld voor gebruik door mensen (inclusief kinderen) met een fysieke, zintuiglijke of mentale handicap, of een gebrek aan ervaring en kennis, tenzij zij toezicht of instructies hebben gekregen over het juiste gebruik van het hulpmiddel door een persoon die verantwoordelijk is voor hun veiligheid.
19. Dit product is alleen voor niet-professioneel gebruik bedoeld en niet voor commercieel of industrieel gebruik.
20. Verzeker u ervan dat het apparaat in een stabiele positie staat opgesteld. Schade die wordt veroorzaakt door het gebruik van dit product in een onstabiele positie, trillingen of schokken of het niet opvolgen van de waarschuwingen of voorzorgsmaatregelen in deze gebruikershandleiding wordt niet gedekt door de garantie.
21. Verwijder nooit de behuizing van dit apparaat.
22. Plaats dit apparaat nooit op andere elektrische apparatuur.
23. Geef kinderen geen gelegenheid in aanraking met plastic zakken te komen.
24. Gebruik uitsluitend uitbreidingen/accessoires gespecificeerd door de fabrikant.
25. Laat alle reparaties over aan gekwalificeerd onderhoudspersoneel. Onderhoud is nodig als het apparaat is beschadigd, bijvoorbeeld als de voedingskabel of de stekker is beschadigd, als er vloeistof op het apparaat is gemorst, als er voorwerpen in het apparaat zijn gevallen, als het apparaat is blootgesteld aan regen of vocht, als het apparaat niet normaal werkt of als het is gevallen.

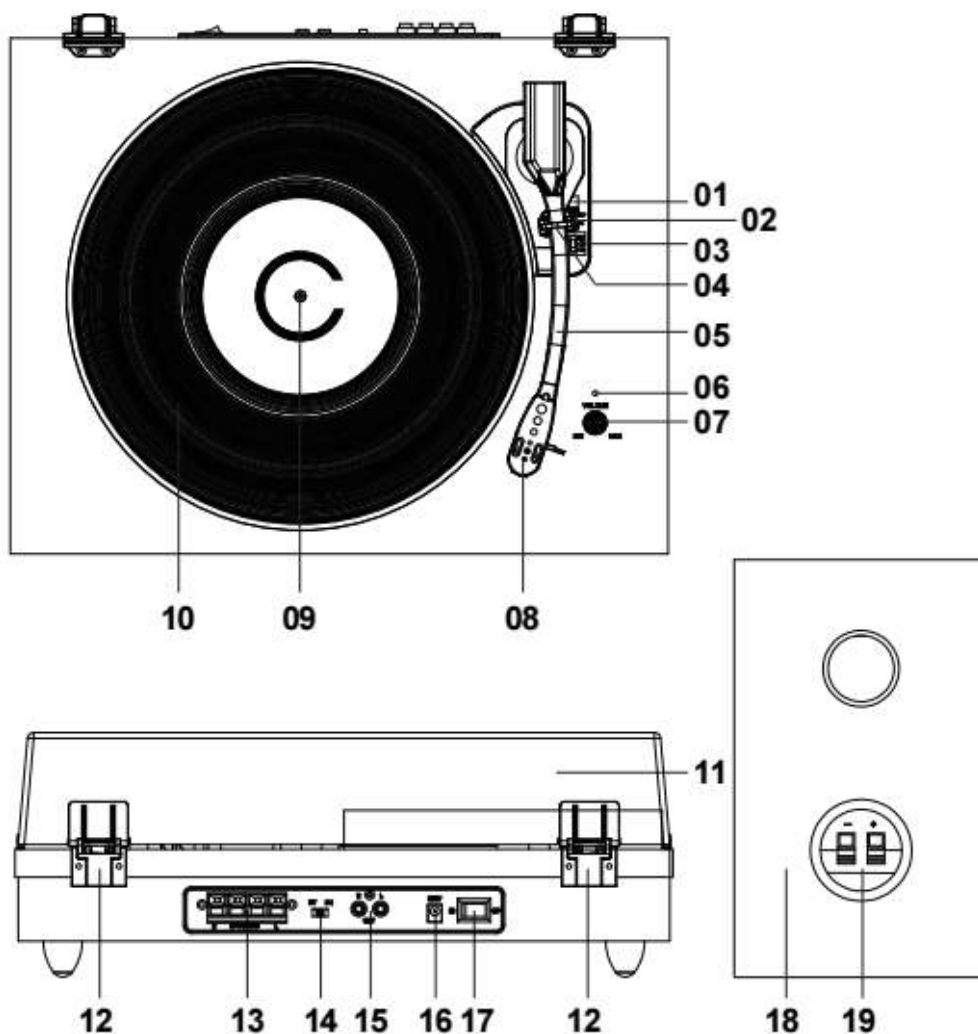
26. Langdurige blootstelling aan harde geluiden van persoonlijke muzikspelers kan leiden tot tijdelijk of permanent gehoorverlies.
27. Als het product wordt geleverd met voedingskabel of wisselstroomvoedingsadapter:
- Als er zich problemen voordoen, moet u de voedingskabel loskoppelen en het ter onderhoud aanbieden aan gekwalificeerd personeel.
  - Nooit op de voedingsadapter stappen of deze indrukken. Wees zeer voorzichtig, vooral in het gebied rond de stekkers en de kabelaansluitingen. Plaats geen zware voorwerpen op de voedingsadapter, om beschadiging ervan te voorkomen. Houd het gehele apparaat buiten bereik van kinderen! Wanneer kinderen met de voedingskabel spelen, kunnen zij ernstig letsel oplopen.
  - Haal de stekker uit het stopcontact tijdens onweer of wanneer u deze langere tijd niet gebruikt.
  - Het stopcontact moet in de buurt van de apparatuur zijn geïnstalleerd en eenvoudig te bereiken zijn.
  - Laat AC-stopcontacten of verlengsnoeren nooit overbelast raken. Overbelasting kan brand of een elektrische schok veroorzaken.
  - Apparaten met een Klasse 1 structuur dienen te worden aangesloten op een stopcontact met een beschermende aardverbinding.
  - Apparaten met een Klasse 2 structuur vereisen geen aardverbinding.
  - Houd altijd de stekker vast wanneer u deze uit het stopcontact trekt. Trek nooit aan de voedingskabel. Dit kan tot een kortsluiting leiden.
  - Gebruik nooit een beschadigde voedingskabel of stekker of een los stopcontact. Dit vormt namelijk een risico op brand of elektrische schokken.
28. Indien het product knoopcelbatterijen bevat of wordt geleverd met een afstandsbediening die knoopcelbatterijen bevat:  
 Waarschuwing:
- “Batterij niet inslikken, chemisch brandgevaar” of gelijkwaardige werking.
  - De meegeleverde afstandsbediening bevat een knoopcelbatterij. Als de batterij wordt ingeslikt, kan deze in slechts 2 uur ernstige interne brandwonden veroorzaken en tot de dood leiden.
  - Houd nieuwe en gebruikte batterijen buiten bereik van kinderen.
  - Als de batterijhouder niet goed kan worden gesloten, dient u het product niet meer te gebruiken en buiten bereik van kinderen te houden.
  - Als u denkt dat batterijen zijn ingeslikt of binnenin een willekeurig lichaamsdeel terecht zijn gekomen, dient u onmiddellijk medische hulp te zoeken.
29. Waarschuwing m.b.t. het gebruik van batterijen:
- Als de batterij onjuist wordt geplaatst, bestaat er explosiegevaar. Vervang de batterij alleen door een zelfde of vergelijkbare soort batterij.
  - Stel de batterij niet bloot aan extreem hoge of lage temperaturen of een lage luchtdruk op grote hoogte tijdens gebruik, opslag of transport.
  - Vervanging van een batterij door een incorrect type kan leiden tot een ontploffing of de lekkage van ontvlambare vloeistoffen of gas.
  - Het weggooien van een batterij in het vuur of een hete oven, of het mechanisch verpletteren of insnijden van een batterij, kan leiden tot een explosie.
  - Het achterlaten van een batterij in een omgeving met extreem hoge temperaturen kan leiden tot een explosie of het lekken van brandbare vloeistof of gas.
  - Een batterij die aan een extreem lage luchtdruk wordt blootgesteld, kan leiden tot een explosie of het lekken van brandbare vloeistof of gas.
  - Aandacht voor het milieu is nodig bij het verwijderen van de batterijen.

## INSTALLATIE

- Pak alle onderdelen uit en verwijder de beschermende materialen.
- Sluit het apparaat niet aan op het stopcontact, voordat u de netspanning hebt gecontroleerd en voordat alle andere aansluitingen zijn gemaakt.

**\*deze instructies zijn enkel van toepassing voor producten met een voedingskabel of een AC voedingsadapter.**

## 1. ONDERDELEN PLATENSPELER:



1. Hendel
2. Aan/uitschakelaar automatisch stoppen
3. Snelheidskeuzeschakelaar
4. Toonarmvergrendeling
5. Toonarm
6. Led-voedingslampje
7. Volumeknoppen
8. Naaldelement
9. As
10. Draaitafelplateau
11. Verwijderbare stofkap
12. Scharnier
13. Aansluitingen externe luidspreker
14. Functiekeuzeschakelaar
15. RCA-uitgang
16. Voedingsaansluiting
17. Schakelaar Aan-/Uitzetten
18. Externe luidsprekers
19. Luidsprekeraansluitingen op externe luidspreker

## INSTELLING

Een AC/DC-adapter met een uitgang van 12 V DC 2,0 A is inbegrepen bij deze Draaitafel met Bluetooth en houten luidsprekers. De adapter is nodig om het apparaat te kunnen gebruiken.

Verbind de kabels van de externe luidspreker met de externe luidsprekeraansluiting aan de achterkant van het apparaat en met elke luidspreker.

Opmerking: De kabels van de externe luidspreker hebben een kleurcode, de rode kabel wordt aangesloten op de rode aansluiting van zowel het apparaat als de luidsprekers (zwarte kabel op de zwarte aansluitingen).

Steek de gelijkstroomstekker van de adapter stevig in de DC IN-aansluiting aan de achterkant van het apparaat.

Steek de wisselstroomstekker van de adapter in een stopcontact van 220-240 V AV ~ 50 Hz.

Zet het apparaat aan door de Aan-/Uitschakelaar in de stand AAN te zetten. Het Led-voedingslampje gaat aan.

**Opmerking: Om het Larsen-effect of de audiofeedback te voorkomen, kunt u het volgende doen:**

- 1. Plaats uw luidsprekers op een minimale afstand van 60 cm of meer van uw platenspeler**
- 2. Laat de stofkap open als u een plaat afspeelt bij een hoger geluidsvolume**

### 2. Naar een plaat luisteren

1. Open de stofkap
2. Schuif de Functiekeuzeschakelaar in de stand Phono.
3. Zet het apparaat aan door de Aan-/Uitschakelaar in de stand AAN te zetten. Het Led-voedingslampje gaat ROOD branden.
4. Leg een plaat op de draaitafel en stel de snelheid in overeenkomstig de snelheid die op de plaat staat aangegeven.  
Opmerking: Bij het afspelen van een single (een 45-toerenplaat) en/of platen met een groot gat in het midden, gebruikt u de 45-toerenadapter.

Verwijder de beschermkap van het naaldelement en ontgrendel de toonarmvergrendeling. Duw de hendel naar achteren en de toonarm komt langzaam omhoog. Beweeg de toonarm rustig naar de gewenste positie op de plaat. De draaitafel zal beginnen te draaien wanneer de arm boven de plaat wordt verplaatst en als het automatisch stoppen AAN staat. Laat de toonarm op de plaat zakken door de hendel naar voren te halen. De plaat wordt nu afgespeeld.

Als automatisch stoppen op AAN staat, stopt de plaat automatisch als deze klaar is. Als het automatisch stoppen UIT staat, stopt de draaitafel NIET automatisch na het afspelen van de plaat. U dient de hendel naar achteren duwen om de toonarm omhoog te bewegen en terug te plaatsen in de armsteun. Zet het apparaat uit om het draaien te stoppen.

Opmerking: De AUTOMATISCH STOPPEN-functie werkt op de meeste 33-toerenplaten. Wanneer het automatisch stoppen is ingeschakeld, kan het toch gebeuren dat de plaat stopt, voordat het einde van de plaat is bereikt of dat aan het eind van de plaat de platenspeler niet stopt.

### 3. Luisteren naar Bluetooth

Een extern apparaat met Bluetooth kan draadloos op deze draaitafel worden aangesloten met de Bluetooth-functie.

1. Zet het apparaat aan door de Aan-/Uitschakelaar in de stand AAN te zetten.
2. Draai de Functiekeuzeschakelaar naar de stand BT (Bluetooth). Het Led-voedingslampje begint BLAUW te knipperen.
3. Zet de Bluetooth-instelling van uw externe apparaat AAN. Wacht even en zoek vervolgens naar de Bluetooth-koppelnaam "Lenco LS-300"
4. Selecteer de Bluetooth-koppelnaam "Lenco LS-300" om het apparaat te verbinden. Het blauwe LED-lampje stopt met knipperen zodra verbinding is gemaakt.
5. U bent nu via Bluetooth met uw externe apparaat verbonden.
6. Het beste is om het **volumeniveau** op uw bluetooth-apparaat (**smartphone of tablet**) op het **maximum** te zetten en het gewenste luistervolume in te stellen met de volumeregelaar van uw platenspeler (07).
7. Sluit de RCA-uitgang aan op een extern luidsprekersysteem met behulp van de RCA-kabel (niet meegeleverd) om via uw externe systeem van uw platen te genieten.

**Om te voorkomen dat de LS-300 na 20 minuten uitschakelt (voor energiebesparing (ERP2-richtlijn)), kunt u in de**

**bluetooth-modus het volume van uw smartphone of tablet (muziek streamen op de platenspeler) beter tussen 50% en maximaal zetten en het volume regelen met de draaiknop van de platenspeler.**

“Dit product is voorzien van een Bluetooth-**ontvangstfunctie, u kunt er geen Bluetooth-audio mee sturen:** dit betekent dat u van een externe bron zoals een smartphone draadloos een Bluetooth-audiosignaal kunt ontvangen.”

Lenco	
Draaiplateau	LS-300
Type	Riemaandrijving, volledig handmatig
Aandrijfmotor	Gelijkstroommotor
Snelheid	33 1/3 tpm, 45 tpm
Jengel	≤0,35%
Draaitafelplateau	300 mm
Cartridge	
Type	N-40/Audio Technica AT3600
Naald	0,6 mil
Optimale Naalddruk	3,5 gram
Uitgang	2,5 mV ±3 dB 1 KHz
Frequentiebereik	0 dB ±3 dB 10 KHz
Overspraak	18 dB or meer dan 1 KHz
Signaal-ruisverhouding (S/N)	40 dB
Algemeen	
ADAPTER	invoer AC 100-240 V~50/60 Hz 1,2 A uitvoer DC 12 V-2 A
PRODUCT	DC 12 V-2 A
Audio-uitgang (Line Out)	400-600 mV
Stroomverbruik	24W
Afmetingen	424 x 331 x 160 mm voor hoofdapparaat; 140 x 177 x 230 mm voor luidspreker
Gewicht	ongeveer 6,9 kg LS-300WD
Gewicht	ongeveer 6,9 kg LS-300BK

## Voedingsadapter

**Fabrikant: Dongguan Liyang Electrical Technology Co., Ltd**

**Modelnummer: LY024SPS-120200Z**

**Gebruik uitsluitend de lichtnetdapter die in de gebruiksaanwijzing wordt vermeld**

Informatie	Waarde en precisie
Naam of handelsmerk van de fabrikant, handelsregistratie en adres	<b>Dongguan Liyang Electrical Technology Co., Ltd</b> Zone A, 2/F, Building D, Chuangfu Industrial Zone, Dakan Village, Huangjiang Town, 523750, Dongguan City, Guangdong, China
Modelaanduiding	<b>LY024SPS-120200Z</b>
Ingangsspanning	120-240V
Ingangsfrequentie AC	50-60Hz
Uitgangsspanning	DC 12V
Uitgangsstroom	2A
Uitgang	24W
Gemiddelde actieve efficiëntie	87.89%
Efficiëntie bij lage belasting (10%)	82.77%
Verbruik onbelast vermogen	0.08

## 1. Garantie

Lenco biedt service en garantie aan overeenkomstig met de Europese wetgeving. Dit houdt in dat u, in het geval van reparaties (zowel tijdens als na de garantieperiode), uw lokale handelaar moet contacteren.

Belangrijke opmerking: Het is niet mogelijk om producten die gerepareerd moeten worden direct naar Lenco te sturen.

Belangrijke opmerking: De garantie verloopt als een onofficieel servicecenter het apparaat op wat voor manier dan ook heeft geopend, of er toegang toe heeft gekregen.

Het apparaat is niet geschikt voor professioneel gebruik. In het geval van professioneel gebruik worden alle garantieverplichtingen van de fabrikant nietig verklaard.

## 2. Disclaimer

Er worden regelmatig updates in de firmware en/of hardwarecomponenten gemaakt. Daardoor kunnen gedeelten van de instructie, de specificaties en afbeeldingen in deze documentatie enigszins verschillen van uw eigen situatie. Alle onderwerpen die staan beschreven in deze handleiding zijn bedoeld als illustratie en zijn niet van toepassing op specifieke situaties. Aan de beschrijving in dit document kunnen geen rechten worden ontleend.

## 3. Afvoer van het oude apparaat



Dit symbool geeft aan dat het betreffende elektrische product of de batterij niet moet worden verwijderd als algemeen huishoudelijk afval in Europa. Zorg voor een juiste afvalverwerking door het product en de batterij in overeenstemming met alle van toepassing zijnde lokale wetten voor het verwijderen van elektrische apparatuur of batterijen te verwijderen. Als u dit doet, helpt u de natuurlijke hulpbronnen te behouden en de standaard van milieubescherming te verbeteren bij de behandeling en verwijdering van elektrisch afval (Afgedankte Elektrische en Elektronische Apparatuur).

## 4. CE-markering

Lenco Benelux B.V., Thermiekstraat 1a, 6361 HB Nuth, Nederland, verklaart hierbij dat dit product voldoet aan de vereisten van de essentiële EU-richtlijnen. De conformiteitsverklaring kan worden opgevraagd via [techdoc@commaxxgroup.com](mailto:techdoc@commaxxgroup.com)



## 5. Service

Bezoek voor meer informatie en helpdeskondersteuning [www.lenco.com](http://www.lenco.com)

Lenco Benelux BV, Thermiekstraat 1a, 6361 HB Nuth, Nederland.



**ACHTUNG:**

Eine andere als die hier beschriebene Bedienung, Einstellung oder Verwendung der Funktionen kann zu gefährlicher Strahlenbelastung führen.

**VORSICHTSMASSNAHMEN VOR DER BENUTZUNG****BEFOLGEN SIE IMMER FOLGENDE ANWEISUNGEN:**

1. Blockieren oder bedecken Sie keine Lüftungsöffnungen. Wenn Sie das Gerät auf ein Regal stellen, lassen Sie um das gesamte Gerät 5 cm (2") freien Platz.
2. Stellen Sie das Gerät entsprechend den Anweisungen der mitgelieferten Bedienungsanleitung auf.
3. Halten Sie das Gerät von Hitzequellen wie Radiatoren, Heizern, Öfen, Kerzen oder anderen hitzeerzeugenden Produkten oder offenen Flammen fern. Das Gerät darf nur bei gemäßigttem Klima verwendet werden. Sehr kalte oder heiße Umgebungen sind zu vermeiden. Der Betriebstemperaturbereich liegt zwischen 0 °C und 35 °C.
4. Meiden Sie bei der Nutzung des Produkts die Nähe starker Magnetfelder.
5. Elektrostatische Entladungen können die normale Verwendung von diesem Gerät stören. Sollte dies geschehen, führen Sie einfach einen Reset aus und starten Sie dann das Gerät entsprechend den Anweisungen dieser Bedienungsanleitung neu. Gehen Sie besonders bei Datenübertragungen mit dem Gerät vorsichtig um und führen Sie diese nur in einer antielektrostatischen Umgebung aus.
6. Warnung! Niemals Gegenstände durch die Lüftungsschlitze oder Öffnungen in das Gerät stecken. In diesem Gerät fließt Hochspannung und das Hineinstecken von Gegenständen kann zu elektrischem Schock und/oder Kurzschluss interner elektrischer Bauteile führen. Aus dem gleichen Grund kein Wasser oder Flüssigkeiten in das Gerät geben.
7. Benutzen Sie das Gerät nicht in nasser oder feuchter Umgebung wie Bad, Dampfküche oder in der Nähe von Schwimmbecken.
8. Das Gerät darf weder Tropf- noch Spritzwasser ausgesetzt werden und es dürfen keine mit Flüssigkeit gefüllten Behälter wie z.B. Vasen auf das Gerät oder in der Nähe des Gerätes gestellt werden.
9. Benutzen Sie das Gerät nicht bei Kondensationsgefahr. Wenn Sie das Gerät in einem warmen feuchten Raum benutzen, dann können sich im Inneren des Geräts Wassertropfen oder Kondensationen bilden und zu Fehlfunktionen des Geräts führen. Schalten Sie in diesem Fall das Gerät für 1 – 2 Stunden aus, bevor Sie es erneut einschalten: Das Gerät sollte vollständig getrocknet sein, wenn Sie es wieder einschalten.
10. Obwohl dieses Gerät unter größter Sorgfalt und vor Auslieferung mehrmals überprüft wurde, können trotzdem wie bei jedem anderen elektrischen Gerät auch Probleme auftauchen. Trennen Sie das Gerät im Falle einer Rauchentwicklung, starker Hitzeentwicklung oder jeden anderen unnatürlichen Erscheinung sofort vom Netz.
11. Dieses Gerät ist durch eine Stromquelle wie auf dem Typenschild angegeben zu betreiben. Halten Sie bei Unsicherheiten über die Art Ihrer Stromversorgung in Ihrer Wohnung Rücksprache mit Ihrem Händler oder Ihrer Stromzuliefererfirma.
12. Halten Sie es von Haustieren fern. Einige Nagetiere lieben es, an Netzkabeln zu nagen.
13. Benutzen Sie für die Reinigung ein weiches und trockenes Tuch. Benutzen Sie niemals Lösungsmittel oder Flüssigkeiten auf Ölbasis. Benutzen Sie zum Entfernen hartnäckiger Flecken ein feuchtes Tuch mit mildem Reinigungsmittel.
14. Der Hersteller haftet nicht für Schäden oder Verluste durch Fehlfunktion, Zweckentfremdung oder Modifikation des Geräts oder durch Wechseln der Batterien.
15. Unterbrechen Sie die Verbindung nicht während einer Formatierung oder einer Datenübertragung. Bei Unterbrechung drohen Datenverlust und Datenbeschädigung.
16. Wenn das Gerät eine USB-Wiedergabefunktion besitzt, dann stecken Sie den USB-Stick direkt in das Gerät. Verwenden Sie kein USB-Verlängerungskabel, weil die erhöhte Störungsanfälligkeit zu Datenverlust führen könnte.
17. Das Typenschild befindet sich an der Unter- oder Rückseite des Geräts.
18. Dieses Gerät ist nicht zur Benutzung durch Personen (einschließlich Kinder) mit physischen, sensorischen oder mentalen Beeinträchtigungen oder ohne ausreichender Erfahrung vorgesehen, es sei denn, sie werden durch eine verantwortliche Person beaufsichtigt oder wurden in die ordnungsgemäße Bedienung des Gerätes durch eine für ihre Sicherheit verantwortliche Person eingewiesen.
19. Dieses Produkt ist nur für den nicht-professionellen Gebrauch und nicht für gewerbliche oder industrielle Zwecke bestimmt.
20. Stellen Sie sicher, dass das Gerät in einer stabilen Position aufgestellt ist. Schäden aufgrund Verwendung dieses Produkts in einer instabilen Position, Vibrationen, Stöße oder Nichtbeachtung der anderen in dieser Bedienungsanleitung enthaltenen Warnungen und Sicherheitshinweise werden nicht durch die Garantie abgedeckt.
21. Entfernen Sie niemals das Gehäuse dieses Produkts.
22. Stellen Sie das Produkt niemals auf andere elektrische Geräte.
23. Halten Sie Kinder von den Plastiktüten fern.
24. Benutzen Sie nur vom Hersteller spezifizierte Erweiterungen/Zubehörteile.

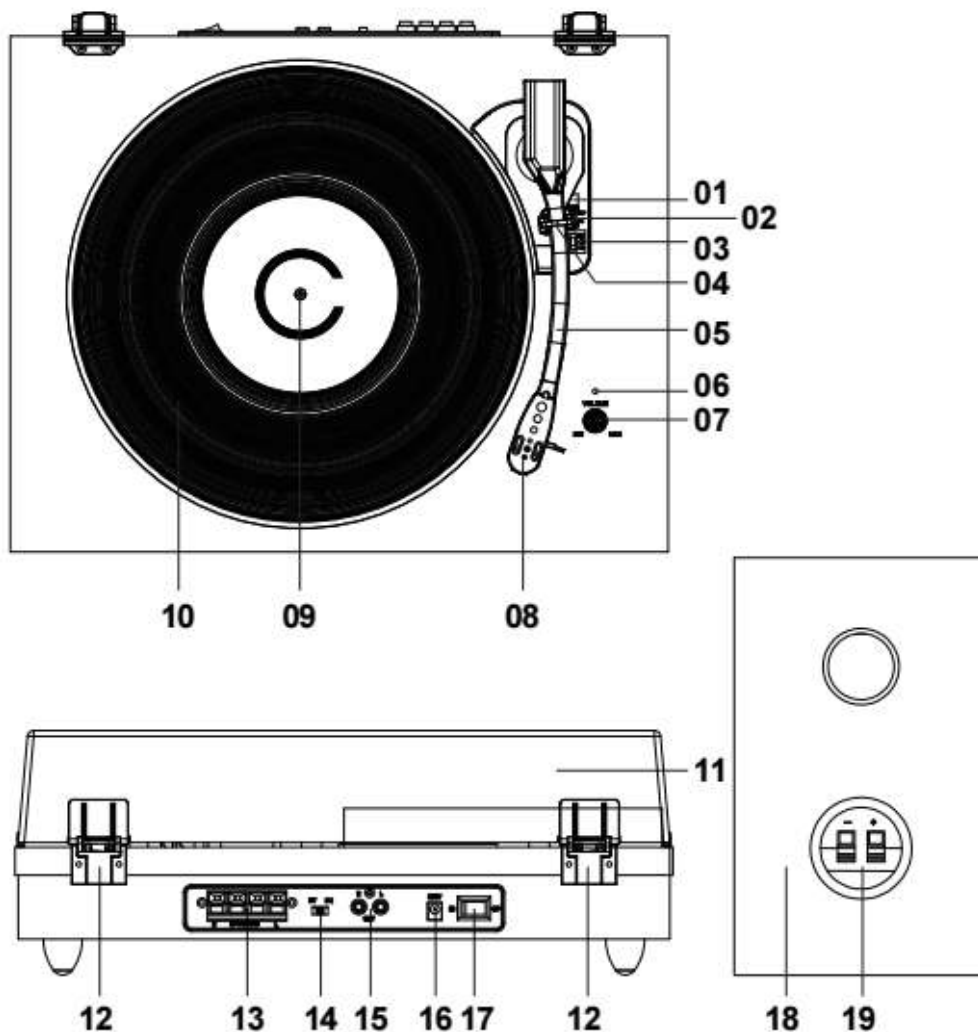
25. Lassen Sie alle Eingriffe von qualifiziertem Servicepersonal ausführen. Eingriffe werden notwendig, wenn das Gerät auf irgendeine Weise wie beispielsweise am Netzkabel oder am Netzstecker beschädigt wurde, Flüssigkeit in das Gerät eingedrungen ist, Gegenstände in das Gerät gefallen sind, das Gerät Regen oder Feuchtigkeit ausgesetzt war, es heruntergefallen ist oder nicht ordnungsgemäß funktioniert.
26. Langes Hören lauter Töne aus einem Musikgerät kann zum zeitweiligen oder permanenten Hörverlust führen.
27. Wenn zum Lieferumfang des Produkts ein Netzkabel oder ein Netzadapter gehört:
- Wenn irgendwelche Probleme auftreten, dann ziehen Sie den Netzstecker aus der Netzsteckdose und setzen Sie sich anschließend mit einer qualifizierten Fachkraft in Verbindung.
  - Treten Sie nicht auf das Netzteil und klemmen Sie es auch nicht ein. Geben Sie besonders im näheren Bereich des Steckers und der Stelle acht, wo das Kabel aus dem Gerät herausgeführt wird. Stellen Sie keine schweren Gegenstände auf das Netzteil, weil es dadurch beschädigt werden könnte. Halten Sie das gesamte Gerät außerhalb der Reichweite von Kindern! Durch Spielen mit dem Netzkabel können sie sich ernsthafte Verletzungen zuziehen.
  - Trennen Sie das Gerät während eines Gewitters oder bei längerer Nichtbenutzung vom Netz.
  - Die Wandsteckdose muss sich in der Nähe des Geräts befinden und einfach zu erreichen sein.
  - Steckdosen und Verlängerungsleitungen nicht überlasten. Eine Überlastung kann zu Brandgefahr bzw. Stromschlag führen.
  - Geräte der Schutzklasse 1 sind an eine Netzsteckdose mit Schutzleiter anzuschließen.
  - Geräte der Schutzklasse 2 benötigen keinen Schutzleiteranschluss.
  - Halten Sie den Netzstecker in der Hand, wenn Sie ihn aus der Netzsteckdose ziehen. Ziehen Sie ihn nicht durch Zerren am Kabel heraus. Das kann zu einem Kurzschluss führen.
  - Verwenden Sie weder ein beschädigtes Netzkabel noch einen beschädigten Stecker oder eine lockere Steckdose. Es besteht Brand- und Stromschlaggefahr.
28. Wenn das Produkt mit einer Fernbedienung mit Batterien/Knopfzellen geliefert wird oder das Produkt eine derartige Fernbedienung umfasst:  
Warnung:
- „Die Batterie nicht einnehmen, er besteht Verätzungsgefahr“.
  - [Die mit diesem Produkt mitgelieferte Fernbedienung] enthält eine Knopfzelle. Das Verschlucken der Batterie kann innerhalb von nur 2 Stunden zu schwersten inneren Verbrennungen mit Todesfolge führen.
  - Halten Sie neue und gebrauchte Batterien von Kindern fern.
  - Verwenden Sie dieses Produkt nicht weiter und halten Sie es von Kindern fern, wenn das Batteriefach nicht sicher schließt.
  - Suchen Sie umgehend ärztliche Hilfe auf, wenn Sie vermuten, dass Batterien verschluckt oder in Körperöffnungen eingeführt wurden.
29. Warnhinweise bzgl. der Verwendung von Batterien:
- Es besteht Explosionsgefahr, wenn die Batterien nicht korrekt eingelegt werden. Nur mit Batterien des gleichen oder entsprechenden Typs ersetzen.
  - Die Batterie darf während der Benutzung, Aufbewahrung oder des Transports weder sehr hohen oder sehr niedrigen Temperaturen noch niedrigem Luftdruck in großen Höhenlagen ausgesetzt werden.
  - Die Ersetzung der Batterie mit einem falschen Batterietyp kann zum Explodieren der Batterie oder dem Auslaufen von entflammbarem Gas oder entflammbarer Flüssigkeit aus der Batterie führen.
  - Die Entsorgung der Batterie in Feuer oder einem heißen Ofen oder das mechanische Zerkleinern oder Zerteilen der Batterie kann zu Explosionen führen.
  - Das Verbleiben der Batterie in einer Umgebung mit sehr hohen Temperaturen kann zum Explodieren der Batterie oder dem Auslaufen von entflammbarem Gas oder entflammbarer Flüssigkeit führen.
  - Eine in einem sehr niedrigen Luftdruck ausgesetzte Batterie kann explodieren oder es kann aus einer in einem sehr niedrigen Luftdruck ausgesetzten Batterie entflammbares Gas oder entflammbare Flüssigkeit auslaufen.
  - Achten Sie auf den ökologischen Aspekt der Batterieentsorgung zu legen.

## **ANSCHLUSS**

- Packen Sie alle Teile aus und entfernen Sie danach die Schutzmaterialien.
- Schließen Sie das Gerät nicht eher an das Netz an, bevor Sie die Netzspannung überprüft haben und alle anderen notwendigen Verbindungen hergestellt sind.
- 

**\*Diese Anleitung gilt nur für Produkte, die über ein Netzkabel oder einen Netzadapter verfügen.**

## 1. PLATTENSPIELERBESTANDTEILE:



1. Hebel Tonarmlift
2. Schalter automatische Abschaltsteuerung
3. Drehzahlwahlschalter
4. Tonarmarretierung
5. Tonarm
6. Betriebsanzeige-LED
7. Lautstärkeregler
8. Tonkopf mit Tonnadel
9. Plattentellerspindel
10. Plattenteller
11. Abnehmbarer Staubschutz
12. Scharnier
13. Buchsen für externe Lautsprecher
14. Funktionswahlschalter
15. Cinch-Ausgänge
16. Netzadapterbuchse
17. Ein/Aus-Schalter
18. Externe Lautsprecher
19. Anschlussbuchsen des externen Lautsprechers

### AUFSTELLEN

Zum Lieferumfang dieses Plattenspielers mit Bluetooth und Holzlautsprechern gehört ein Netzadapter mit einer Ausgangsleistung von 12 V DC/2,0 A. Dieser Adapter ist für den Betrieb des Geräts notwendig.

Schließen Sie die externen Lautsprecherkabel an der Rückseite des Geräts und an den Lautsprechern an.

Hinweis: Die externen Lautsprecherkabel sind farblich kodiert. Verbinden Sie das rote Kabel mit der roten Buche am Gerät und an den Lautsprechern (und das schwarze Kabel entsprechend mit den schwarzen Buchsen).

Stecken Sie den DC-Stecker des Netzadapters sicher und fest in die Buchse DC IN auf der Rückseite des Geräts.

Stecken Sie den Netzstecker des Netzadapters in eine Netzsteckdose mit 220 – 240 V~/50 Hz.

Schalten Sie das Gerät ein, indem Sie den Ein/Aus-Schalter auf die Stellung EIN schalten. Die Betriebsanzeige-LED leuchtet.

**Anmerkung: Zur Vermeidung des Larsen-Effekts oder Rückkopplungsgeräuschen können Sie folgendes tun:**

- 1. Stellen Sie Ihre Lautsprecher in mindestens 60 cm Entfernung vom Plattenspieler auf.**
- 2. Lassen Sie den Staubschutz offen, wenn Sie Platten bei höherer Lautstärke wiedergeben.**

## **2. Wiedergeben einer Platte**

1. Nehmen Sie den Staubschutz ab.
2. Schieben Sie den Funktionswahlschalter auf die Stellung Phono.
3. Schalten Sie das Gerät ein, indem Sie den Ein/Aus-Schalter auf die Stellung EIN schalten. Die Betriebsanzeige-LED leuchtet ROT.
4. Legen Sie eine Schallplatte auf den Plattenteller. Stellen Sie die für die Schallplatte passende Plattenteller-Drehzahl ein.  
Hinweis: Wenn Sie Singles (45-U/min-Schallplatten) und/oder Schallplatten mit großem Mittelloch wiedergeben möchten, dann verwenden Sie einen Puck (45-U/min-Adapter).

Entfernen Sie anschließend den Nadelschutz vom Tonkopf. Entriegeln Sie danach die Tonarmsicherung der Tonarmhalterung. Drücken Sie den Hebel Tonarmlift nach hinten, wird der Tonarm sanft angehoben. Bewegen Sie nun den Tonarm zu der gewünschten Stelle über der Schallplatte. Wenn der Schalter der automatischen Abschaltsteuerung auf EIN steht, dann beginnt sich der Plattenteller zu drehen, wenn der Tonarm in Richtung Schallplatte bewegt wird. Lassen Sie den Tonkopf auf der Schallplatte aufsetzen, indem Sie den Hebel Tonarmlift nach vorn drücken. Danach beginnt die Wiedergabe der Schallplatte.

Wenn die Schallplatte bis zu Ende wiedergegeben wurde und der Schalter der automatischen Abschaltsteuerung auf EIN steht, dann stoppt die Schallplatte automatisch. Wenn jedoch der Schalter der automatischen Abschaltsteuerung auf AUS steht, dann stoppt die Schallplatte NICHT automatisch, wenn diese bis zu Ende wiedergegeben wurde. In diesem Fall müssen Sie den Hebel Tonarmlift nach hinten drücken, um den Tonarm anzuheben und diesen zurück zur Tonarmhalterung zu bewegen. Schalten Sie danach den Plattenspieler aus, um die Drehung des Plattentellers zu beenden.

Anmerkung: Die AUTOMATISCHE ABSCHALTUNG kann für die meisten Schallplatten mit 33 U/min eingesetzt werden. Bei einigen wenigen Schallplatten jedoch kommt es zur Abschaltung, obwohl das Ende noch gar nicht erreicht wurde oder es kommt nicht zur Abschaltung, obwohl das Ende erreicht wurde, wenn die AUTOMATISCHE ABSCHALTUNG EINGESCHALTET ist.

## **3. Wiedergeben über Bluetooth**

Mittels der Bluetooth-Funktion kann an diesen Plattenspieler ein externes Gerät mit Bluetooth-Konnektivität kabellos angeschlossen werden.

1. Schalten Sie das Gerät ein, indem Sie den Ein/Aus-Schalter auf die Stellung EIN schalten.
2. Schieben Sie den Funktionswahlschalter auf die Position BT (Bluetooth). Die Betriebsanzeige-LED blinkt BLAU.
3. Drehen Sie Ihre externe Bluetooth Einstellung des Gerätes auf EIN. Warten Sie einen Moment und suchen Sie dann nach dem Gerät mit dem Kopplungsnamen „Lenco LS-300“.
4. Wählen Sie den Bluetooth Verbindungsnamen aus, um das Gerät zu verbinden. Nach aufgebauter Verbindung leuchtet die LED konstant BLAU.
5. Jetzt können Sie Ihr externes Gerät über Bluetooth verbinden.
6. Es ist empfehlenswert, dass Sie an Ihrem Bluetooth-Gerät (**Smartphone oder Tablet**) den **maximalen Lautstärke** pegel einstellen und die gewünschte Wiedergabelautstärke mit Hilfe des Lautstärkereglers (07) Ihres

Plattenspieler einstellen.

- Schließen Sie ein externes Lautsprechersystem über ein Cinchkabel (nicht im Lieferumfang) an den Cinch-Ausgängen an, um die Musik Ihrer Schallplatten über Ihr Lautsprechersystem genießen zu können.

**Stellen Sie die Lautstärke Ihres Smartphones/Tablets (zum Plattenspieler streamendes Musikwiedergabegerät) auf mindestens 50 % und anschließend die gewünschte Lautstärke mit Hilfe des Drehreglers am Plattenspieler ein, um im Bluetooth-Modus zu verhindern, dass sich Ihr LS-300 nach 20 Minuten ausschaltet (ERP2-Richtlinie).**

„Dieses Produkt besitzt eine Bluetooth-Empfangsfunktion, mit der Sie jedoch keine Klänge über Bluetooth übertragen können, d. h. Sie können nur Bluetooth-Audiosignale von externen Quellen wie beispielsweise einem Smartphone kabellos empfangen.“

Lenco	
Plattenteller	LS-300
Ausführung	Riemengetrieben, voll manuell
Antriebsmotor	Gleichstrommotor
Umdrehungen	33 1/3 U/min, 45 U/min
Gleichlaufschwankung	≤ 0,35 %
Plattenteller	300 mm
Tonabnehmer	
Antriebsart	N-40/Audio Technica AT3600
Tonnadel	0,6-µm-Diamant
Empfohlene Auflagekraft	3,5 Gramm
Ausgang	2,5 mV ± 3 dB bei 1 kHz
Frequenzgang	0 dB ± 3 dB bei 10 kHz
Kanaltrennung	18 dB oder mehr bei 1 kHz
Signal-Rauschabstand (S/N)	40 dB
Allgemeines	
NETZTEIL	Eingang 100 – 240 V~ / 50/60 Hz / 1,2 A Ausgang 12 V DC/2 A
PRODUKT	12 V DC/2 A
Audioausgang (LINE OUT)	400 – 600 mV
Leistungsaufnahme	24 W
Abmessung	Plattenspieler: 424 x 331 x 160 mm; Lautsprecher: 140 x 177 x 230 mm
Gewicht	LS-300WD: Ca. 6,9 kg
Gewicht	LS-300BK: Ca. 6,9 kg

## Netzteil

**Hersteller: Dongguan Liyang Electrical Technology Co., Ltd**

**Modellnummer: LY024SPS-120200Z**

**Verwenden Sie nur die im Handbuch angegebene Stromversorgung**

Informationen	Wert und Genauigkeit
Name des Herstellers oder der Handelsmarke, kommerzielle Zulassung und Anschrift	<b>Dongguan Liyang Electrical Technology Co., Ltd</b> Zone A, 2/F, Building D, Chuangfu Industrial Zone, Dakan Village, Huangjiang Town, 523750, Dongguan City, Guangdong, China
Modellidentifikator	<b>LY024SPS-120200Z</b>
Eingangsspannung	120-240V
Wechselstromfrequenz des AC-Eingangs	50-60Hz
Ausgangsspannung	DC 12V
Ausgangsstrom	2A
Ausgangsleistung	24W
Durchschnittliche Effizienz bei Normallast	87.89%
Effizienz bei Niederlast (10 %)	82.77%
Leistungsaufnahme bei Nulllast	0.08

## 1. Garantie

Lenco bietet Leistungen und Garantien im Einklang mit Europäischem Recht. Im Falle von Reparaturen (sowohl während als auch nach Ablauf der Garantiezeit) sollten Sie deshalb Ihren Einzelhändler kontaktieren.

Wichtiger Hinweis: Es ist nicht möglich, Geräte für Reparaturen direkt an Lenco zu schicken.

Wichtiger Hinweis: Falls dieses Gerät von einem nicht autorisierten Kundendienst geöffnet oder darauf zugegriffen wird, erlischt die Garantie.

Dieses Gerät ist nicht für professionelle Zwecke geeignet. Falls das Gerät für professionelle Zwecke eingesetzt wird, erlöschen alle Garantieverpflichtungen seitens des Herstellers.

## 2. Haftungsausschluss

Aktualisierungen der Firmware und/oder Hardware-Komponenten werden regelmäßig durchgeführt. Daher können einige der Anweisungen, Spezifikationen und Abbildungen in dieser Dokumentation von Ihrer individuellen Situation abweichen. Alle in diesem Handbuch beschriebenen Elemente dienen nur zur Illustration und treffen auf Ihre individuelle Situation möglicherweise nicht zu. Aus der in diesem Handbuch getätigten Beschreibung können keine Rechtsansprüche oder Ansprüche geltend gemacht werden.

## 3. Entsorgung des Altgeräts



Dieses Symbol zeigt an, dass das entsprechende Produkt oder dessen Batterie in Europa nicht mit dem normalen Hausmüll entsorgt werden darf. Um die ordnungsgemäße Abfallbehandlung des Produkts und dessen Batterie zu gewährleisten, müssen diese im Einklang mit allen anwendbaren örtlichen Vorschriften zur Entsorgung von Elektrogeräten und Batterien entsorgt werden. Dabei helfen Sie, natürliche Ressourcen zu schonen und Umweltschutzstandards zur Verwertung und Entsorgung von Altgeräten aufrecht zu halten (Waste Electrical and Electronic Equipment Directive).

## 4. CE-Kennzeichen

Hiermit erklärt Lenco Benelux B.V., Thermiekstraat 1a, 6361 HB Nuth, The Netherlands, dass dieses Produkt den grundsätzlichen Anforderungen der EU-Richtlinie entspricht. Die Konformitätserklärung ist erhältlich unter [techdoc@commaxxgroup.com](mailto:techdoc@commaxxgroup.com)



## 5. Service

Weitere Informationen und Unterstützung erhalten Sie unter [www.lenco.com](http://www.lenco.com)

Lenco Benelux BV, Thermiekstraat 1a, 6361 HB Nuth, Die Niederlande.

**ATTENTION :**

L'utilisation de commandes ou d'ajustements ou l'exécution de procédures autres que celles spécifiées dans le présent document peuvent entraîner une exposition dangereuse aux radiations.

**PRÉCAUTIONS AVANT UTILISATION****GARDEZ CES INSTRUCTIONS À L'ESPRIT :**

1. Ne couvrez pas et n'obturez pas les ouvertures de ventilation. Lorsque vous placez l'appareil sur une étagère, laissez 5 cm (2") d'espace libre tout autour de l'appareil.
2. Installez-le conformément au mode d'emploi fourni.
3. Gardez l'appareil à l'écart des sources de chaleur telles que des radiateurs, appareils de chauffage, fours, bougies et autres produits générant de la chaleur ou une flamme nue. L'appareil ne peut être utilisé que dans des climats modérés. Les environnements extrêmement froids ou chauds doivent être évités. La plage de température de fonctionnement se situe entre 0° et 35° C.
4. Évitez d'utiliser l'appareil à proximité de champs magnétiques puissants.
5. Des décharges électrostatiques peuvent perturber le fonctionnement de cet appareil. Dans ce cas, il suffit de réinitialiser et de redémarrer l'appareil en suivant le mode d'emploi. Pendant le transfert de fichiers, manipulez l'appareil avec précaution et faites-le fonctionner dans un environnement sans électricité statique.
6. Mise en garde ! N'introduisez jamais un objet dans l'appareil par les ouvertures et les fentes de ventilation. Étant donné que des tensions élevées sont présentes à l'intérieur du produit, l'insertion d'un objet peut entraîner une électrocution et/ou court-circuiter les composants internes. Pour les mêmes raisons, ne versez pas de l'eau ou un liquide sur le produit.
7. Ne l'utilisez pas dans des endroits humides tels qu'une salle de bain, une cuisine pleine de vapeur ou à proximité d'une piscine.
8. L'appareil ne doit pas être exposé à des écoulements ou des éclaboussures et aucun objet contenant un liquide, tel qu'un vase, ne doit être posé sur ou près de l'appareil.
9. N'utilisez pas cet appareil lorsque de la condensation est possible. Lorsque l'appareil est utilisé dans une pièce humide et chaude, des gouttelettes d'eau ou de la condensation peuvent se former à l'intérieur de l'appareil et affecter son fonctionnement. Laissez l'appareil hors tension pendant 1 ou 2 heures avant de le mettre en marche : l'appareil doit être sec avant sa mise sous tension.
10. Bien que ce dispositif soit fabriqué avec le plus grand soin et contrôlé à plusieurs reprises avant de quitter l'usine, des problèmes peuvent néanmoins survenir, comme avec tous les appareils électriques. Si l'appareil émet de la fumée ou en cas d'accumulation excessive de la chaleur ou d'un phénomène inattendu, débranchez immédiatement la fiche d'alimentation du secteur.
11. Cet appareil doit fonctionner avec la source d'alimentation indiquée sur la plaque signalétique. Si vous n'êtes pas sûr du type d'alimentation utilisé chez vous, contactez votre revendeur ou le fournisseur local d'électricité.
12. Tenez l'appareil à l'abri des animaux. Certains animaux aiment ronger les cordons électriques.
13. Pour nettoyer l'appareil, servez-vous d'un chiffon doux et sec. N'utilisez pas de solvant ni d'autre liquide à base de pétrole. Pour enlever les taches importantes, vous pouvez vous servir d'un chiffon humide imbibé d'une solution de détergent diluée.
14. Le fournisseur n'est pas responsable des dommages ou pertes de données causés par un dysfonctionnement, une utilisation abusive, une modification de l'appareil ou un remplacement de la batterie.
15. N'interrompez pas la connexion lorsque l'appareil formate ou transfère des fichiers. Dans le cas contraire, les données pourraient être endommagées ou perdues.
16. Si l'appareil a une fonction de lecture USB, il faut brancher la clé USB directement sur l'appareil. N'utilisez pas un câble d'extension USB, car cela peut causer des interférences entraînant des pertes de données.
17. L'étiquette de classification se trouve sur le panneau inférieur ou arrière de l'appareil.
18. Cet appareil ne doit pas être utilisé par des personnes (y compris les enfants) souffrant de déficiences physiques, sensorielles ou mentales, ou d'un manque d'expérience et de connaissances, à moins qu'elles n'aient été supervisées ou qu'une personne responsable de leur sécurité ne leur ait donné des instructions sur l'utilisation correcte de l'appareil.
19. Ce produit est réservé à un usage non professionnel, et non pas à un usage commercial ni industriel.
20. Vérifiez que l'appareil est en position stable. La garantie ne couvre pas les dégâts occasionnés par l'utilisation de cet appareil en position instable, par les vibrations, les chocs ou par la non-observation de tout autre avertissement ou précaution contenus dans ce mode d'emploi.
21. N'ouvrez jamais cet appareil.
22. Ne placez jamais cet appareil sur un autre appareil électrique.
23. Ne laissez pas les sacs en plastique à la portée des enfants.
24. Utilisez uniquement les accessoires recommandés par le fabricant.



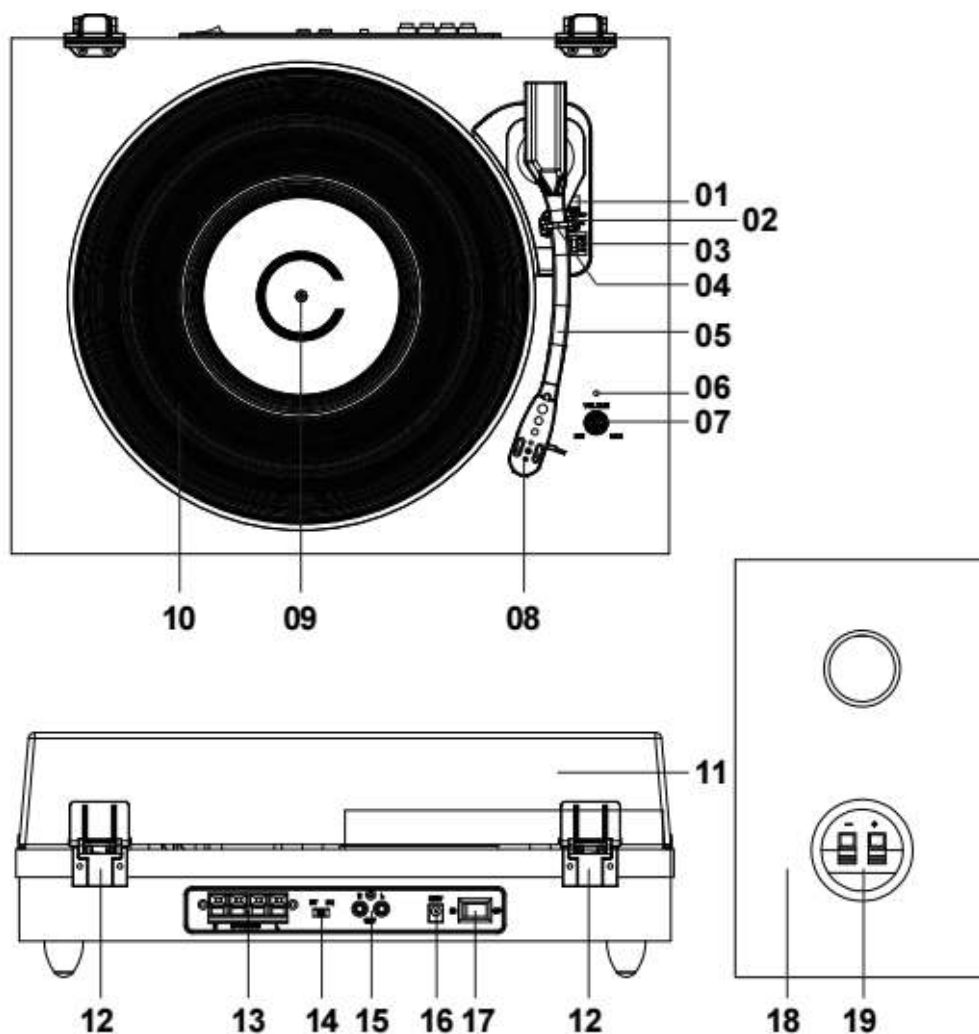
25. Confiez l'entretien et les réparations à un personnel qualifié. Une réparation est nécessaire lorsque l'appareil a été endommagé de quelque façon que ce soit, par exemple lorsque le cordon d'alimentation ou la prise sont endommagés, lorsqu'un liquide s'est déversé ou des objets sont tombés sur l'appareil, lorsque l'appareil a été exposé à la pluie ou à l'humidité, lorsqu'il ne fonctionne pas correctement ou est tombé.
26. Une exposition prolongée à la musique avec un volume élevé peut entraîner une perte auditive temporaire ou permanente.
27. Si l'appareil est livré avec un câble d'alimentation ou un adaptateur secteur :
- En cas de problème, débranchez le cordon d'alimentation CA et confiez l'entretien à un personnel qualifié.
  - Ne marchez pas sur l'adaptateur secteur ou ne le coincez pas. Faites très attention, en particulier à proximité des fiches et du point de sortie du câble. Ne placez pas d'objets lourds sur l'adaptateur secteur, car ils pourraient l'endommager. Gardez l'appareil hors de portée des enfants ! Ils pourraient se blesser gravement s'ils jouent avec le câble d'alimentation.
  - Débranchez cet appareil pendant les orages ou lorsqu'il n'est pas utilisé pendant une longue durée.
  - La prise secteur doit être installée près de l'appareil et doit être facilement accessible.
  - Ne surchargez pas les prises de courant ou les rallonges. Une surcharge peut entraîner un incendie ou une électrocution.
  - Les appareils de classe 1 doivent être branchés à une prise de courant disposant d'une connexion protectrice à la terre.
  - Les appareils à la norme de construction de classe 2 ne nécessitent pas de connexion à la terre.
  - Tirez toujours sur la fiche pour débrancher le cordon de la prise secteur. Ne tirez pas sur le cordon d'alimentation. Cela pourrait provoquer un court-circuit.
  - N'utilisez pas un cordon ou une fiche d'alimentation endommagé ni une prise desserrée. Vous courez un risque d'incendie ou de décharge électrique.
28. Si le produit contient ou est livré avec une télécommande contenant des piles boutons :
- Avertissement :
- « N'ingérez pas la pile, car vous risquez une brûlure chimique » ou une formule équivalente.
  - La télécommande fournie contient une pile bouton/pièce de monnaie. Si la pile est avalée, elle peut causer de graves brûlures internes en seulement 2 heures et peut entraîner la mort.
  - Tenez les piles neuves et usagées hors de portée des enfants.
  - Si le compartiment à piles ne se ferme pas correctement, cessez d'utiliser l'appareil et tenez-le hors de portée des enfants.
  - Si vous pensez que les piles ont été avalées ou placées à l'intérieur d'une partie du corps, consultez un médecin immédiatement.
29. Mise en garde relative à l'utilisation des piles :
- Risque d'explosion si la pile est mal remplacée. Remplacez les piles par des piles d'un type identique ou équivalent.
  - Pendant l'utilisation, le stockage ou le transport, la pile ne doit pas être soumise à des températures extrêmement élevées ou basses, à une faible pression d'air à haute altitude.
  - Le remplacement d'une pile par une autre de type incorrect peut entraîner une explosion ou une fuite de liquide ou de gaz inflammable.
  - L'introduction d'une pile dans le feu ou dans un four chaud, l'écrasement ou le découpage mécanique peut entraîner une explosion.
  - L'exposition d'une pile dans un environnement à température extrêmement élevée peut entraîner une explosion ou une fuite de liquide ou de gaz inflammable.
  - L'exposition d'une pile à une pression d'air extrêmement basse peut entraîner une explosion ou une fuite de liquide ou de gaz inflammable.
  - Veuillez considérer les questions environnementales lors de la mise au rebut des piles.

## INSTALLATION

- Déballez toutes les pièces et enlevez le matériau de protection.
- Ne connectez pas l'unité au secteur avant d'avoir vérifié la tension du secteur et avant que toutes les autres connexions n'aient été effectuées.

**\*ces instructions s'appliquent uniquement aux produits utilisant un câble d'alimentation ou un adaptateur secteur.**

## 1. PIÈCES DU TOURNE-DISQUE :



1. Levier de levage
2. Interrupteur de commande d'arrêt automatique
3. Sélecteur de vitesse
4. Blocage du bras de lecture
5. Bras de lecture
6. Voyant de puissance
7. Commutateur du contrôle de volume
8. Photocapteur
9. Arbre du tourne-disque
10. Diamètre de disque
11. Couvercle poussière amovible
12. Charnière
13. Prises du haut-parleur externe
14. Sélecteur de fonction
15. Prise de sortie RCA
16. Prise de l'adaptateur d'alimentation
17. Interrupteur marche/arrêt
18. Haut-parleurs externes
19. Prises de haut-parleur sur le haut-parleur externe

### INSTALLATION

Un adaptateur CA/CC avec une puissance de 12 V CC 2,0 A est fourni avec ce tourne-disque avec Bluetooth et haut-parleurs en bois. L'adaptateur est nécessaire pour faire fonctionner l'appareil.

Connectez les cordons des haut-parleurs externes de la prise de haut-parleur externe située à l'arrière de l'appareil à chaque haut-parleur.

Remarque : Les cordons du haut-parleur externe ont un code couleur, le cordon rouge est branché sur une prise rouge à la fois sur l'appareil et les haut-parleurs (cordon noir dans les prises noires).

Insérez fermement la fiche CC de l'adaptateur dans la prise d'entrée CC à l'arrière de l'appareil.

Branchez les fiches CA de l'adaptateur dans une prise de courant de 220-240 V CA ~ 50 Hz.

Allumez l'appareil en mettant l'interrupteur Marche/Arrêt sur la position Marche. Le voyant d'alimentation s'allume.

**Remarque : Pour éviter l'effet Larsen ou un bruit de retour, vous pouvez effectuer les opérations suivantes :**

- 1. Placez vos haut-parleurs à une distance minimale de 60 cm ou plus de votre tourne-disque**
- 2. Laissez le couvercle ouvert lorsque vous écoutez à haut volume**

## **2. Écouter un disque**

1. Soulevez le couvercle poussière.
2. Faites glisser le sélecteur de fonction sur la position Phono.
3. Allumez l'appareil en mettant l'interrupteur Marche/Arrêt sur la position Marche. Le voyant d'alimentation s'allume en rouge.

4. Placez un disque sur le plateau du tourne-disque et réglez la vitesse du lecteur afin qu'elle corresponde à celle du disque.

Remarque : En lisant un single (45 tours) ou des disques avec un grand trou central, utilisez l'adaptateur de 45 tours.

Enlevez le couvercle de protection de la cartouche de la pointe de lecture et débloquez le maintien du bras de lecture qui est de son support. Poussez le levier de levage vers l'arrière et le bras de lecture se lèvera délicatement. Déplacez soigneusement le bras de lecture pour le mettre dans la position voulue sur le disque et le plateau du tourne-disque commencera à tourner quand le bras est rapproché si l'interrupteur de commande d'arrêt automatique est réglé sur ON. Relâchez le bras de lecture sur le tourne-disque en poussant le levier de levage vers l'avant et le disque vinyle commencera à se lire.

Si l'interrupteur de commande d'arrêt automatique est mis sur ON, le disque s'arrêtera automatiquement quand il sera fini. Si l'interrupteur de commande d'arrêt automatique est mis sur OFF, le disque ne s'arrêtera PAS automatiquement quand il sera fini, vous devrez pousser le levier de levage vers l'arrière pour soulever le bras de lecture et le remettre en place dans son support puis couper l'alimentation pour que le tourne-disque arrête de tourner.

Remarque : La fonction ARRÊT AUTO s'applique à la plupart des disques vinyle 33 tours. Cependant, pour quelques rares disques vinyle, il s'arrêtera quand il n'arrive pas à la fin ou il s'arrête en arrivant à la fin quand la fonction ARRÊT AUTO est activée.

## **3. Écouter via Bluetooth**

Un appareil externe doté de la connectivité Bluetooth peut être connecté sans fil à ce tourne-disque à l'aide de la fonction Bluetooth.

1. Allumez l'appareil en mettant l'interrupteur Marche/Arrêt sur la position Marche.
2. Placez le sélecteur de fonctions sur la position BT (Bluetooth), le voyant d'alimentation commence à clignoter en BLEU.
3. Activez le réglage Bluetooth de votre appareil externe. Patientez quelques instants, puis recherchez le nom d'appairage Bluetooth « Lenco LS-300 »
4. Sélectionnez le nom d'appariement Bluetooth pour connecter l'appareil. Une fois la connexion établie, le voyant bleu cesse de clignoter.
5. Vous êtes maintenant connecté à votre appareil externe par Bluetooth.
6. Il est préférable de régler le niveau de **volume** de votre appareil Bluetooth (**smartphone ou tablette**) au **maximum** et le volume d'écoute souhaité à l'aide du bouton de réglage du volume de votre tourne-disque (07).
7. Branchez le câble RCA (non fourni) à la prise de sortie RCA et à l'enceinte acoustique externe pour lire des disques vinyle sur votre enceinte acoustique.

**En mode Bluetooth, pour éviter que le LS-300 ne s'éteigne au bout de 20 minutes (pour économiser l'énergie (directive ERP2)), il est préférable de régler le volume de votre smartphone ou de votre tablette (qui diffuse de la musique en continu sur le tourne-disque) entre 50 % et le niveau maximal et de contrôler le volume avec le bouton rotatif du tourne-disque.**

« Ce produit est doté d'une fonction de **réception** bluetooth, **vous ne pouvez pas l'utiliser pour transmettre un son bluetooth** : cela signifie que vous pouvez recevoir sans fil un signal sonore bluetooth d'une source externe comme un smartphone. »

Lenco	
Tourne-disque	LS-300
Type	Entraînement par courroie, entièrement manuel
Moteur d'entraînement	Moteur CC
Vitesse	33 1/3 tr/min, 45 tr/min
Fluctuations de vitesse	≤0,35%
Diamètre de disque	300 mm
Cartouche	
Type	N-40/Audio Technica AT3600
Pointe de lecture	0,6 mm
Force d'appui optimale	3,5 grammes
Sortie	2,5 mV ± 3 dB 1 kHz
Plage de fréquence	0 dB ± 3 dB 10 kHz
Diaphonie	18 dB ou plus 1 kHz
Rapport signal/bruit	40 dB
Caractéristiques Générales	
ADAPTATEUR	Entrée 100-240 VCA ~ 50/60 Hz 1,2 A
	Sortie 12 VCC-2 A
PRODUIT	12 VCC-2 A
Sortie audio (sortie ligne)	400 à 600 mV
Puissance consommée	24 W
Dimensions	424 x 331 x 160 mm pour le module principal ; 140 x 177 x 230 mm pour le haut-parleur
Poids	env.6,9 K GS LS-300WD
Poids	env.6,9 K GS LS-300BK

### Adaptateur de puissance

**Fabricant : Dongguan Liyang Electrical Technology Co., Ltd**

**Numéro du modèle : LY024SPS-120200Z**

**Utilisez uniquement l'alimentation électrique indiquée dans le mode d'emploi**

Informations	Valeur et précision
Nom ou marque du fabricant, enregistrement commercial et adresse	<b>Dongguan Liyang Electrical Technology Co., Ltd</b> Zone A, 2/F, Building D, Chuangfu Industrial Zone, Dakan Village, Huangjiang Town, 523750, Dongguan City, Guangdong, China
Référence du modèle	<b>LY024SPS-120200Z</b>
Tension d'entrée	120-240V
Fréquence du CA d'entrée	50-60Hz
Tension de sortie	DC 12V
Courant de sortie	2A
Puissance de sortie	24W
Rendement moyen en mode actif	87.89%
Rendement à faible charge (10 %)	82.77%
Consommation électrique sans charge	0.08

## 1. Garantie

Lenco propose un entretien et une garantie conformément à la législation européenne, ce qui signifie qu'en cas de besoin de réparation (aussi bien pendant et après la période de garantie), vous pouvez contacter votre revendeur le plus proche.

Remarque importante : Il n'est pas possible de renvoyer l'appareil pour réparation directement à Lenco.

Remarque importante : Si l'unité est ouverte ou modifiée de quelque manière que ce soit par un réparateur non agréé, la garantie serait caduque.

Cet appareil ne convient pas à une utilisation professionnelle. En cas d'utilisation professionnelle, les obligations de garantie du fabricant seront annulées.

## 2. Clause de non responsabilité

Des mises à jour du logiciel et/ou des composants informatiques sont régulièrement effectuées. Il se peut donc que certaines instructions, caractéristiques et images présentes dans ce document diffèrent légèrement de votre configuration spécifique. Tous les articles décrits dans ce guide le sont fournis uniquement à des fins d'illustration et peuvent ne pas s'appliquer à une configuration spécifique. Aucun droit légal ne peut être obtenu depuis les informations contenues dans ce manuel.

## 3. Mise au rebut de l'appareil usagé



Ce symbole indique que l'équipement électrique concerné ou la batterie ne doivent pas être jetés parmi les autres déchets ménagers en Europe. Afin de garantir un traitement approprié de la batterie ou de l'appareil usagés, veuillez les mettre au rebut conformément à la réglementation locale en vigueur relative aux équipements électriques et autres batteries. En agissant de la sorte, vous contribuerez à la préservation des ressources naturelles et à l'amélioration des niveaux de protection environnementale concernant le traitement et la destruction des déchets électriques (Directive sur les déchets des équipements électriques et électroniques).

## 4. Marquage CE

Par la présente, Lenco Benelux B.V., Thermiekstraat 1a, 6361 HB Nuth, Pays-Bas, déclare que ce produit est conforme aux exigences principales des directives européennes. La déclaration de conformité peut être consultée au lien : [techdoc@commaxgroup.com](mailto:techdoc@commaxgroup.com)



## 5. Service

Pour en savoir plus et obtenir de l'assistance, visitez [www.lenco.com](http://www.lenco.com)

Lenco Benelux BV, Thermiekstraat 1a, 6361 HB Nuth, The Netherlands.

**PRECAUCIÓN:**

El uso de controles o ajustes o rendimiento de procedimientos excepto aquellos que los aquí especificados puede provocar una exposición peligrosa a la radiación.

**PRECAUCIONES PREVIAS AL USO****TENGA ESTAS INSTRUCCIONES EN MENTE:**

1. No cubra o bloquee ninguna apertura de ventilación. Cuando coloque el dispositivo en una estantería, deje 5 cm (2") de espacio libre alrededor de todo el dispositivo.
2. Instálelo conforme al manual de usuario que se adjunta.
3. Mantenga el aparato alejado de fuentes de calor, como radiadores, calentadores, estufas, velas u otros productos que generen calor o llama viva. El aparato solo puede usarse en climas moderados. Se deben evitar los ambientes extremadamente fríos o cálidos. La gama de temperatura de funcionamiento es de entre 0° y 35°C.
4. Evite usar el dispositivo cerca de campos magnéticos fuertes.
5. Una descarga electrostática puede entorpecer el uso normal de este dispositivo. En tal caso, simplemente reinicielo siguiendo el manual de instrucciones. Durante la transmisión de archivos, por favor manéjelo con cuidado opérelolo en un entorno libre de electricidad estática.
6. ¡Advertencia! Nunca inserte un objeto en el producto a través de las ventilaciones o aperturas. Alto voltaje fluye a través del producto e insertar un objeto puede provocar una descarga eléctrica y/o un cortocircuito de sus componentes internos. Por el mismo motivo, no derrame agua o líquidos en el producto.
7. No lo utilice en zonas húmedas, como cuartos de baño, cocinas en las que se forme vapor ni cerca de piscinas.
8. El aparato no debe exponerse a goteos o salpicaduras y asegúrese de que se colocan sobre o cerca del aparato objetos llenos de líquidos, como jarrones.
9. No use este dispositivo cuando se pueda producir condensación. Cuando la unidad se usa en una sala húmeda cálida, se pueden formar gotitas de agua o condensación en el interior de la unidad y esta puede no funcionar adecuadamente; deje que la unidad se apague durante 1 o 2 horas antes de volver a encender la unidad: el aparato debe estar seco antes de conectarse a una fuente de alimentación.
10. Aunque este dispositivo está fabricado con el máximo cuidado y comprobado varias veces antes de salir de fábrica, todavía es posible que se puedan producir problemas, al igual que con todos los aparatos eléctricos. Si observa la aparición de humo, una acumulación excesiva de calor o cualquier otro fenómeno inesperado, deberá desconectar inmediatamente el enchufe de la toma de corriente.
11. Este dispositivo debe funcionar con una fuente de alimentación que se especifica en la etiqueta de especificaciones. Si no está seguro del tipo de alimentación que se usa en su hogar, consulte con el distribuidor o una compañía eléctrica local.
12. Manténgalo alejado de los animales. A algunos animales les encanta morder los cables de alimentación.
13. Para limpiar el dispositivo use un paño seco y suave. No utilice líquidos disolventes ni con base de petróleo. Para eliminar manchas difíciles, puede usar un paño húmedo con detergente diluido.
14. El proveedor no asume ninguna responsabilidad por daños o datos perdidos provocados por un funcionamiento incorrecto, uso incorrecto, modificación del dispositivo o sustitución de la batería.
15. No interrumpa la conexión cuando el dispositivo esté formateando o transfiriendo archivos. En caso contrario, los datos se pueden estropear o perder.
16. Si la unidad dispone de función de reproducción USB, se debe conectar la memoria USB directamente en la unidad. No utilice un cable de extensión USB ya que pueden crear interferencias que causen una pérdida de datos.
17. La etiqueta calificativa se encuentra en la parte inferior o en el panel posterior del aparato.
18. Este dispositivo no está diseñado para su uso por parte de personas (incluyendo niños) con discapacidad física, sensorial o mental o con falta de experiencia o conocimientos, salvo que se les haya dado supervisión o instrucciones acerca del uso correcto del dispositivo por parte de una persona responsable de su seguridad.
19. Este producto está diseñado para un uso no profesional únicamente y no para un uso comercial o industrial.
20. Asegúrese de que la unidad esté fijada en una posición estable. La garantía no cubrirá los daños derivados de usar este producto en una posición inestable, vibraciones o golpes o por no seguir otras advertencias o precauciones que aparecen en este manual de usuario.
21. Nunca retire la carcasa del dispositivo.
22. Nunca coloque este dispositivo sobre otro equipo eléctrico.
23. Mantenga las bolsas de plástico fuera del alcance de los niños.
24. Use únicamente los dispositivos/accesorios especificados por el fabricante.
25. Remita todas las reparaciones al personal cualificado. Es necesario el mantenimiento cuando el aparato presenta cualquier tipo de daño, por ejemplo, el cable de alimentación o el enchufe presentan daños; se ha vertido líquido sobre el aparato; se han caído objetos en el aparato; el aparato se ha expuesto a la lluvia o humedad; el aparato no funciona normalmente o se ha caído.

26. Una larga exposición a sonidos elevados de reproductores de música personales puede provocar una pérdida de audición temporal o permanente.
27. Si el producto viene con un cable de alimentación o un adaptador de corriente de CA:
- Si se produce cualquier problema, desconecte el cable de alimentación CA y remítalo a mantenimiento por parte de personal cualificado.
  - No pise o pince el adaptador de alimentación. Tenga mucho cuidado, en especial en las zonas alrededor de las tomas y el punto de salida del cable. No coloque objetos pesados en el adaptador de alimentación, ya que pueden dañarlo. ¡Mantenga el dispositivo fuera del alcance de los niños! Si juegan con el cable de alimentación, puede sufrir lesiones graves.
  - Desconecte el dispositivo durante tormentas eléctricas o cuando no vaya a usarse durante periodos prolongados de tiempo.
  - La salida de la toma debe instalarse cerca del equipo y debe ser fácilmente accesible.
  - No sobrecargue las tomas CA o los cables de extensión. La sobrecarga puede provocar un incendio o una descarga eléctrica.
  - Los dispositivos con construcción de Clase 1 deben estar conectados a una toma de corriente con una conexión a tierra protegida.
  - Los dispositivos con construcción de Clase 2 no requieren una conexión a tierra.
  - Sujete siempre el enchufe cuando los extraiga de la toma de corriente. No tire del cable de alimentación. Esto puede provocar un cortocircuito.
  - No utilice un cable de alimentación o enchufe deteriorado o una toma suelta. Si lo hace, podría provocar un incendio o una descarga eléctrica.
28. Si el producto contiene o se entrega con un mando a distancia que contiene pilas de botón / celdas:  
Advertencia:
- “Ni ingiera la pila, riesgo de quemadura química” o frase equivalente.
  - [El mando a distancia que se suministra] Este producto contiene una pila de tipo botón/moneda. Si la pila se traga, puede provocar graves quemaduras internas en sólo 2 horas y podría ocasionar la muerte.
  - Mantenga las pilas nuevas o usadas fuera del alcance de los niños.
  - Si el compartimiento de las pilas no se cierra correctamente, deje de usar el producto y no lo deje al alcance los niños.
  - Si tiene la sospecha de que una pila ha sido ingerida o se encuentra en algún lugar del cuerpo, busque inmediatamente atención médica.
29. Precaución sobre el uso de las pilas:
- Existe riesgo de explosión si la pila no se sustituye correctamente. Sustitúyala únicamente con otra del mismo tipo u otro equivalente.
  - No se pueden exponer las pilas a temperaturas extremadamente altas o bajas, baja presión de aire a gran altitud durante el uso, almacenamiento o transporte.
  - Si cambia la pila por otra que no sea la correcta, se puede producir una explosión o la fuga de líquidos o gases inflamables.
  - Si arroja la pila al fuego o a un horno caliente, o aplasta o corta mecánicamente una pila, podría provocar una explosión.
  - Si deja una pila en un lugar con temperaturas extremadamente altas, se puede producir una explosión o una fuga de líquido o gas inflamable.
  - Si se expone la pila a una presión de aire extremadamente baja, se puede producir una explosión o la fuga de líquidos o gases inflamables.
  - Se debe prestar atención a los aspectos medioambientales sobre la eliminación de baterías.

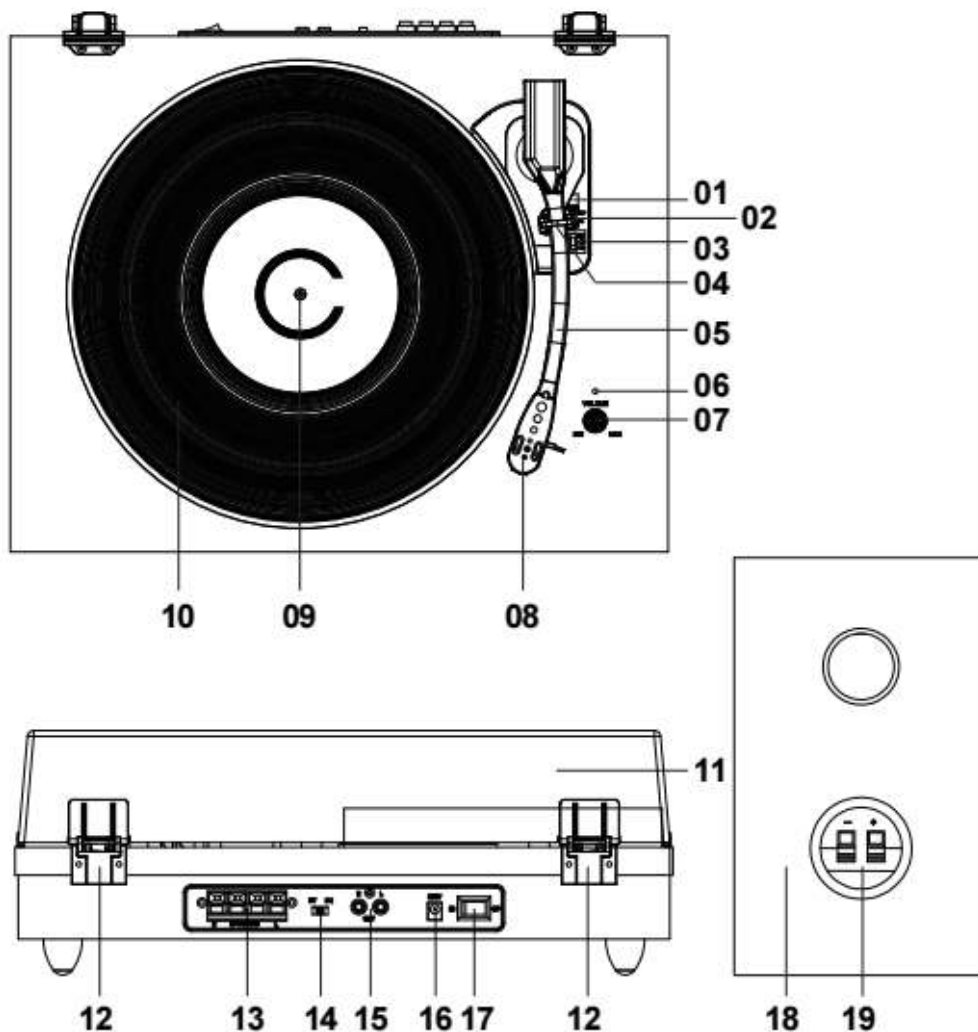
## INSTALACIÓN

- Desembale todas las piezas y retire el material protector.
- No conecte la unidad a la corriente eléctrica antes de comprobar la tensión de la corriente y antes de que se hayan hecho todas las demás conexiones.

**\* Estas instrucciones solo están relacionadas con productos que usen un cable de alimentación o un adaptador de corriente CA.**



## 1. PIEZAS DEL TOCADISCOS:



1. Palanca de izado
2. Interruptor de control de parada automática
3. Interruptor de selección de velocidad
4. Bloqueo del brazo del tocadiscos
5. Brazo
6. Indicador luminoso LED de alimentación
7. Interruptor de control de volumen
8. Cartucho de aguja fonocaptora
9. Eje del tocadiscos
10. Plato de tocadiscos
11. Sobrecubierta extraíble
12. Bisagra
13. Tomas de los altavoces externos
14. Interruptor de selección de función
15. Conectores de Salida RCA
16. Conector del adaptador de corriente
17. Interruptor de encendido / apagado
18. Altavoces externos
19. Tomas de los altavoces en el altavoz externo

## INSTALACIÓN

Se incluye un adaptador CA/CC con una salida de 12V CC 2.0A con este tocadiscos con Bluetooth y altavoces de madera. Se necesita el adaptador para poner en funcionamiento la unidad.

Conecte los cables del altavoz externo desde la toma del altavoz externo situada en la parte posterior de la unidad a cada altavoz.

Nota: Los cables del altavoz externo tienen una codificación en color; el cable rojo se conecta a la toma roja tanto en la unidad como en los altavoces (el cable negro en las tomas negras).

Inserte de forma firme y segura el enchufe CC del adaptador en la toma de ENTRADA CC situada en la parte posterior de la unidad.

Conecte el enchufe del adaptador CA en una toma de alimentación nominal de 220-240V AV ~ 50 Hz.

Encienda la unidad cambiando el interruptor de encendido / apagado a la posición Encendido. El indicador luminoso LED de alimentación se encenderá.

**Observación: La evitar el efecto Larsen o el ruido de reproducción, puede hacer lo siguiente:**

- 1. Coloque los altavoces a una distancia mínima de 60 cm o más del tocadiscos**
- 2. Deje abierta la tapa antipolvo cuando reproduzca un disco a un volumen de sonido más alto.**

### 2. Escuchar un disco

1. Levante la sobrecubierta
2. Deslice el interruptor de selección de función a la posición Phono.
3. Encienda la unidad cambiando el interruptor de encendido / apagado a la posición Encendido. El indicador luminoso LED de alimentación se encenderá de color ROJO.
4. Coloque un disco sobre el plato del tocadiscos y ajuste la velocidad para que coincida con la velocidad del disco.  
Nota: para reproducir un single (disco de 45 rpm) y/o discos con agujeros centrales grandes utilice el adaptador de 45 rpm.

Retire la funda protectora del cartucho de la aguja y quite el bloqueo del brazo de lectura. Empuje la palanca de izado hacia atrás y el brazo de lectura se levantará suavemente. Mueva suavemente el brazo de lectura a la posición deseada sobre el disco y el plato del tocadiscos empezará a girar cuando mueva el brazo hacia él si el interruptor de control de parada automática está encendido. Libere el brazo de lectura sobre el tocadiscos empujando la palanca de izado hacia delante y el disco de vinilo empezará a reproducirse.

Si se enciende el interruptor de control automático, la grabación se detendrá automáticamente cuando haya finalizado. Si el interruptor de control de parada automática está apagado, el disco NO dejará de reproducirse automáticamente cuando se termine. Deberá empujar la palanca de izado hacia atrás para levantar el brazo de lectura y colocarlo en el soporte, y entonces apagar el tocadiscos para que deje de girar.

Observación: La función de PARADA AUTOMÁTICA funciona con la mayoría de discos de vinilo de 33 rpm. Sin embargo, algunos discos de vinilo se detendrán cuando no se hayan terminado, o no se detendrán cuando se hayan terminado con la función de PARADA AUTOMÁTICA encendida.

### 3. Escuchar mediante Bluetooth

Se puede conectar de forma inalámbrica un dispositivo externo con conectividad Bluetooth a este tocadiscos usando la función Bluetooth.

1. Encienda la unidad cambiando el interruptor de encendido / apagado a la posición Encendido.
2. Gire el interruptor de selección de función a la posición BT (Bluetooth); el indicador luminoso LED de alimentación empezará a parpadear de color AZUL.
3. Conecte la configuración Bluetooth de su dispositivo externo. Espere un momento; posteriormente busque el nombre de emparejamiento Bluetooth "Lenco LS-300"
4. Seleccione el nombre de emparejamiento Bluetooth para conectar la unidad. Una vez conectado, el LED AZUL dejará de parpadear.

5. Ahora está conectado a su dispositivo externo vía Bluetooth.
6. Lo mejor es poner el nivel de **volumen** del dispositivo Bluetooth (**smartphone o tablet**) al **máximo** y ajustar el volumen de audición que desee con el interruptor de control del volumen del tocadiscos (07).
7. Conecte la salida RCA al sistema de altavoces externo con un cable RCA (no incluido) para disfrutar de la música de sus discos de vinilo con su sistema de altavoces.

**En modo Bluetooth, para evitar que el LS-300 se apague después de 20 minutos (para ahorrar energía (directiva ERP2)), es mejor que ponga el volumen de su smartphone o tablet (reproduciendo música en el tocadiscos) entre el 50% y máximo y controle el volumen con el botón giratorio del tocadiscos.**

«Este producto dispone de una función de **recepción** bluetooth, **no puede transmitir ningún sonido bluetooth con ella**: esto significa que puede recibir de forma inalámbrica una señal de sonido bluetooth desde una fuente externa como un smartphone».

Lenco	
Tocadiscos	LS-300
Tipo	Accionado por correa, totalmente manual
Motor de accionamiento	Motor DC
Velocidad	33 1/3 rpm, 45 rpm
Distorsión y variación de velocidad	≤0,35%
Plato de tocadiscos	300 mm
Cápsula fonocaptora	
Tipo	N-40/Audio Technica AT3600
Aguja	0,6 mil
Fuerza de tracción óptima	3.5 gramos
Salida	2.5mV±3dB 1KHz
Respuesta de frecuencia	0dB±3dB 10KHz
Diafonía	18dB o más 1KHz
Relación Señal-Ruido (S/R)	40dB
General	
ADAPTADOR	corriente AC100-240V~50/60Hz 1.2A
	salida CC12V-2A
PRODUCTO	CC12V-2A
Salida de audio (Salida de línea)	400-600 mv
Consumo de energía	24 W
Dimensiones	424x331x160mm para la unidad principal; 140x177x230mm para el altavoz
Peso	Aproximadamente 6.9KGS LS-300WD
Peso	Aproximadamente 6.9KGS LS-300BK

## Adaptador de alimentación

**Fabricante: Dongguan Liyang Electrical Technology Co., Ltd**

**Número de modelo: LY024SPS-120200Z**

**Utilice únicamente la fuente de alimentación indicada en las instrucciones de uso**

Información	Valor y precisión
Nombre de los fabricantes o marcas registradas, registro comercial y dirección	<b>Dongguan Liyang Electrical Technology Co., Ltd</b> Zone A, 2/F, Building D, Chuangfu Industrial Zone, Dakan Village, Huangjiang Town, 523750, Dongguan City, Guangdong, China
Identificador del modelo	<b>LY024SPS-120200Z</b>
Tensión de entrada	120-240V
Frecuencia CA de entrada	50-60Hz
Tensión de salida	DC 12V
Corriente de salida	2A
Potencia de salida	24W
Eficiencia activa media	87.89%
Eficiencia a carga baja (10%)	82.77%
Consumo energético sin carga	0.08

## 1. Garantía

Lenco ofrece servicio y garantía en cumplimiento con las leyes de la Unión Europea, lo cual implica que, en caso de que su producto precise ser reparado (tanto durante como después del periodo de garantía), deberá contactar directamente con su distribuidor.

Nota importante: No es posible enviar sus reparaciones directamente a Lenco.

Nota importante: Si la unidad es abierta por un centro de servicio no oficial, la garantía quedará anulada.

Este aparato no es adecuado para el uso profesional. En caso de darle un uso profesional, todas las obligaciones de garantía del fabricante quedarán anuladas.

## 2. Exención de responsabilidad

Regularmente se llevan a cabo actualizaciones en el Firmware y en los componentes del hardware. Por esta razón, algunas de las instrucciones, especificaciones e imágenes incluidas en este documento pueden diferir ligeramente respecto a su situación particular. Todos los elementos descritos en esta guía tienen un objetivo de mera ilustración, y pueden no ser de aplicación en su situación particular. No se puede obtener ningún derecho ni derecho legal a partir de la descripción hecha en este manual.

## 3. Eliminación del antiguo dispositivo



Este símbolo indica que no deberá deshacerse del producto eléctrico o batería en cuestión junto con los residuos domésticos, en el ámbito de la UE. Para garantizar un tratamiento residual correcto del producto y su batería, por favor, elimínelos cumpliendo con las leyes locales aplicables sobre requisitos para el desecho de equipos eléctricos y baterías. De hacerlo, ayudará a conservar recursos naturales y mejorar los estándares de protección medioambiental en el tratamiento y eliminación de residuos eléctricos (Directiva sobre la Eliminación de Equipos Eléctricos y Electrónicos).



## 4. Marca CE

Por la presente, Lenco Benelux B.V., Thermiekstraat 1a, 6361 HB Nuth, Países Bajos, declara que este producto cumple con las exigencias esenciales de la directiva de la UE. La declaración de conformidad puede consultarse mediante [techdoc@commaxxgroup.com](mailto:techdoc@commaxxgroup.com)



## 5. Servicio

Para obtener más información y soporte del departamento técnico, por favor, visite la página web [www.lenco.com](http://www.lenco.com)

Lenco Benelux BV, Thermiekstraat 1a, 6361 HB Nuth, Países Bajos.

**ВНИМАНИЕ:**

Использование элементов управления или регулирования или выполнение процедур, отличных от указанных в данном документе, может привести к опасному радиационному облучению.

**МЕРЫ ПРЕДОСТОРОЖНОСТИ ПЕРЕД ЭКСПЛУАТАЦИЕЙ****СОБЛЮДАЙТЕ СЛЕДУЮЩИЕ ИНСТРУКЦИИ:**

1. Не закрывайте и не блокируйте вентиляционные отверстия. При размещении устройства на полке оставьте вокруг него 5 см (2 дюйма) свободного пространства.
2. Установите устройство в соответствии с руководством пользователя, входящим в комплект поставки.
3. Устройство должно находиться вдали от источников тепла, таких как батареи, обогреватели, нагревательные печи, свечи и другие изделия, выделяющие тепло, или открытое пламя. Устройство можно использовать только в условиях умеренного климата. Следует избегать чрезмерно высоких или низких температур окружающей среды. Рабочая температура составляет от 0 ° до 35 °С.
4. Не используйте устройство вблизи сильных магнитных полей.
5. Электростатический разряд может помешать нормальной эксплуатации устройства. Если это так, просто перезагрузите и перезапустите устройство, следуя инструкции по эксплуатации. Соблюдайте осторожность при передаче файлов и эксплуатируйте устройство в среде, свободной от атмосферных помех.
6. Предупреждение! Не вставляйте какие-либо предметы в изделие через вентиляционные отверстия или проемы. Через изделие проходит высокое напряжение, и вставленный предмет может вызвать поражение электрическим током и/или короткое замыкание внутренних частей. По той же причине не проливайте на изделие воду или любую другую жидкость.
7. Не используйте устройство в помещениях с повышенной влажностью, таких как ванные комнаты, кухни, насыщенные паром, или около бассейнов.
8. Не допускайте попадания на устройство капель или брызг. Следите за тем, чтобы на устройство или рядом с ним не ставились предметы, наполненные жидкостью, например вазы.
9. Не используйте это устройство в среде, где возможно образование конденсата. Когда устройство используется в теплом влажном помещении с повышенной влажностью, внутри устройства могут образовываться капли воды или конденсат, и устройство может работать неправильно; дайте устройству постоять в выключенном состоянии в течение 1 или 2 часов перед включением питания: устройство должно быть сухим, прежде чем подключать питание.
10. Несмотря на то, что это устройство изготовлено с особой тщательностью и несколько раз проверено перед выпуском с завода, возникновение проблем все же возможно, как и со всеми электрическими приборами. Если Вы заметили дым, чрезмерное нагревание или любые другие неожиданные явления, Вам следует немедленно отключить вилку от розетки электропитания.
11. Это устройство должно работать от такого источника питания, как указано на заводской табличке со спецификациями. Если Вы не уверены в том, какой тип источника питания используется в Вашем доме, проконсультируйтесь с Вашим торговым посредником или местной электроэнергетической компанией.
12. Размещайте устройство подальше от животных. Некоторым животным нравится кусать шнур питания.
13. Для очистки устройства используйте мягкую сухую ткань. Не используйте растворители или жидкости на основе бензина. Чтобы удалить устойчивые пятна, Вы можете использовать влажную ткань с разбавленным моющим средством.
14. Поставщик не несет ответственности за повреждение или потерю данных, вызванные неисправностью, неправильным использованием, реконструкцией устройства или заменой батареи.
15. Не прерывайте соединение, когда устройство форматирует или передает файлы. В противном случае данные могут быть повреждены или утеряны.
16. Если в устройстве есть функция воспроизведения через USB, карту памяти USB следует подключать напрямую к устройству. Не используйте удлинительный кабель USB, так как он может вызывать помехи, что приведет к потере данных.
17. Табличка с техническими данными находится на нижней или задней панели устройства.
18. Это устройство не предназначено для использования людьми (включая детей) с физическими, умственными расстройствами, расстройствами чувственного восприятия или с недостатком опыта и знаний, если они не находятся под наблюдением или не получили инструкции по правильному использованию устройства со стороны лица, отвечающего за их безопасность.
19. Это изделие не предназначено для профессионального, коммерческого или промышленного использования.
20. Убедитесь, что устройство установлено в устойчивое положение. Гарантия не распространяется на повреждения, вызванные эксплуатацией этого изделия в нестабильном положении, вибрациями или ударами, либо несоблюдением любых других предупреждений или мер предосторожности, содержащихся в данном руководстве пользователя.
21. Никогда не снимайте корпус этого устройства.

22. Никогда не помещайте это устройство на другое электрическое оборудование.
23. Не допускайте игр детей с пластиковыми пакетами, используемыми для упаковки устройства
24. Используйте только приспособления/принадлежности, указанные производителем.
25. Поручите все обслуживание квалифицированному обслуживающему персоналу. Обслуживание требуется, когда устройство было повреждено, например, его шнур электропитания или вилка, когда была пролита жидкость или какие-либо предметы упали на устройство, когда устройство подверглось воздействию дождя или влаги, когда устройство работает ненормально, или когда произошло падение устройства.
26. Длительное воздействие громких звуков личных музыкальных проигрывателей может привести к временной или постоянной потере слуха.
27. Если изделие поставляется с кабелем электропитания или адаптером переменного тока:
  - В случае возникновения каких-либо проблем отключите шнур питания переменного тока и обратитесь за обслуживанием к квалифицированному персоналу.
  - Не наступайте на адаптер питания и не зажимайте его. Будьте очень осторожны, особенно возле штекеров и кабельного вывода. Не размещайте на адаптере электропитания тяжелые предметы, так как они могут повредить его. Храните устройство в недоступном для детей месте! Играя с кабелем электропитания, они могут серьезно пораниться.
  - Отключайте это устройство от сети во время грозы или если не используете в течение длительного времени.
  - Штепсельная розетка должна быть установлена рядом с оборудованием и быть в непосредственном доступе.
  - Не перегружайте розетки переменного тока или удлинительные шнуры. Перегрузка может вызвать возгорание или поражение электрическим током.
  - Устройства, спроектированные в соответствии с первым классом электрооборудования по европейским стандартам, «class 1», необходимо подключать к заземленным розеткам электропитания.
  - Устройства, спроектированные в соответствии со вторым классом электрооборудования по европейским стандартам, «class 2», не требуют наличия заземления в сети электропитания.
  - Вынимая вилку из штепсельной розетки, всегда держитесь за вилку. Не тяните за шнур питания. Это может вызвать короткое замыкание.
  - Не используйте поврежденный шнур электропитания, вилку или незакрепленную, ослабленную розетку. Это может привести к возгоранию или поражению электрическим током.
28. Если продукт содержит или поставляется с пультом дистанционного управления с батареей типа «таблетка»/ «монетка»:
  - Предупреждение:
  - «Не проглатывать батарею, опасность химического ожога» или аналогичные действия.
  - [Пульт дистанционного управления, входящий в комплект] Этот продукт содержит батарейку типа «таблетка»/ «монетка». Если проглотить батарейку, это может вызвать серьезные внутренние ожоги всего за 2 часа и привести к смерти.
  - Храните новые и использованные батареи в недоступном для детей месте.
  - Если батарейный отсек закрывается ненадежно, прекратите использование продукта и храните его в недоступном для детей месте.
  - Если Вы считаете, что батарейки могли быть проглотить или они могли попасть в какую-либо часть тела, немедленно обратитесь за медицинской помощью.
29. Меры предосторожности при использовании батарей:
  - При неправильной замене батареи существует опасность взрыва. Заменяйте только на такую же батарею или аналогичного типа.
  - Аккумулятор нельзя подвергать воздействию чрезмерно высоких или низких температур, низкого давления воздуха на большой высоте во время использования, хранения или транспортировки.
  - Замена батареи неподходящего типа может привести к взрыву или утечке воспламеняющейся жидкости или газа.
  - Утилизация аккумулятора в огне или в горячей духовке, механическое раздавливание или разрезание аккумулятора может привести к взрыву.
  - Нахождение батареи в окружающей среде с очень высокой температурой может привести к взрыву или утечке воспламеняющейся жидкости или газа.
  - Батарея, находящаяся под воздействием чрезмерно низкого давления воздуха может привести к взрыву или утечке воспламеняющейся жидкости или газа.
  - Следует обратить внимание на экологические аспекты утилизации батарей.

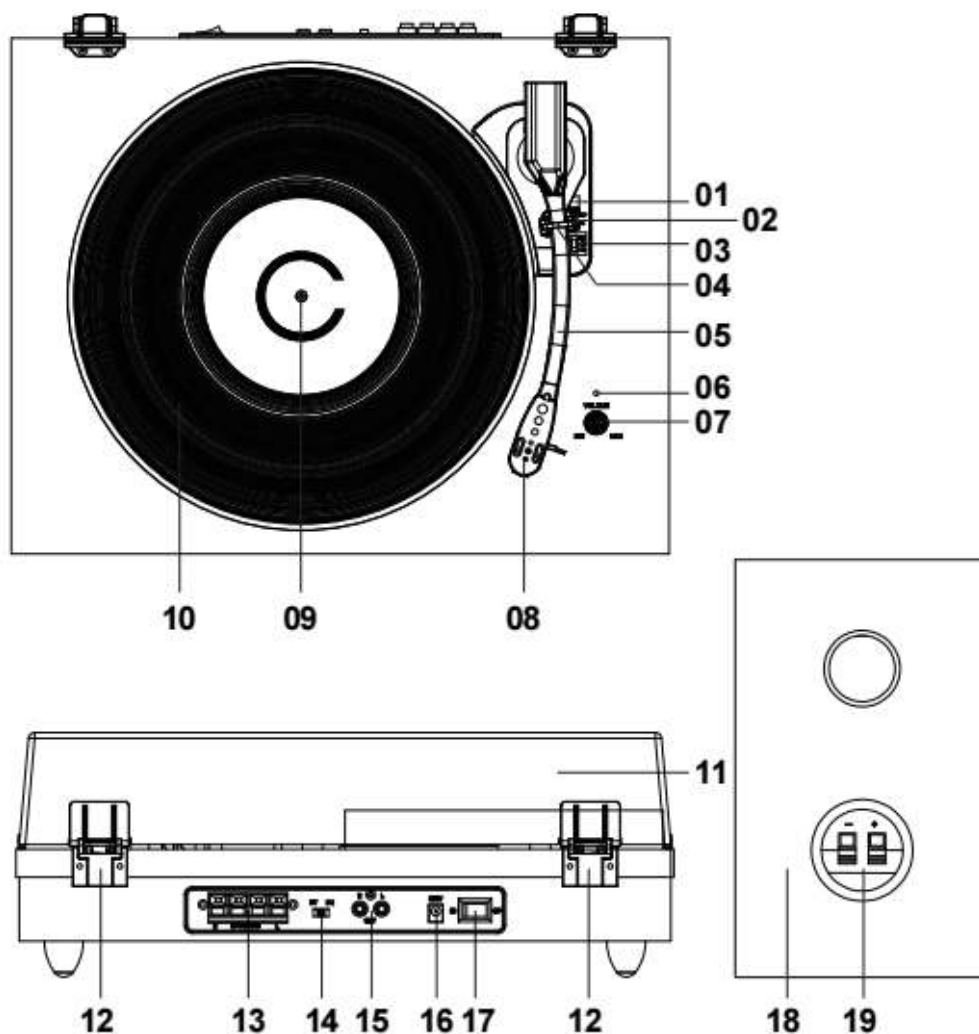
## УСТАНОВКА

- Распакуйте все компоненты проигрывателя и снимите защитные материалы.

- Не подключайте устройство к электросети до проверки сетевого напряжения и до выполнения всех остальных подключений.
- \* **Эти инструкции относятся только к продуктам, использующим кабель электропитания или адаптер переменного тока.**



## 1. КОМПОНЕНТЫ ВИНИЛОВОГО ПРОИГРЫВАТЕЛЯ:



1. Рычажок звукоснимателя
2. Выключатель автостопа
3. Переключатель скоростей
4. Защелка
5. Звукосниматель
6. Индикатор питания
7. Регулятор громкости
8. Картридж с иглой
9. Центральный шпиндель
10. Тарелка
11. Съемная защитная крышка
12. Петли
13. Разъемы для внешних динамиков
14. Переключение режимов
15. Выход RCA (тюльпаны)
16. Вход электропитания
17. Кнопка вкл/выкл
18. Внешние динамики
19. Разъемы подключения на внешних динамиках

## НАСТРОЙКА

Адаптер переменного/постоянного тока с выходом 12 В постоянного тока 2,0 А входит в комплект поставки проигрывателя виниловых пластинок с функцией приёма через Bluetooth-соединение и деревянной акустической системой. Адаптер необходим для работы с устройством.

Подключите кабели динамиков от каждого динамика к задней части устройства.

Примечание: кабели внешней акустической системы имеют цветовую маркировку, кабель с красным разъемом необходимо вставить в красное отверстие, а белый – в белое.

Плотно и надежно вставьте штепсель постоянного тока адаптера в гнездо для подключения внешнего источника постоянного тока на задней панели устройства.

Вставьте штепсели адаптера переменного тока в сетевую розетку с напряжением 220 – 240 В переменного тока, 50 Гц.

Включите устройство ручкой регулировки ГРОМКОСТИ/ПИТАНИЯ. Загорится световой индикатор питания.

**Примечание: Чтобы избежать эффекта Ларсена или акустической обратной связи, Вы можете выполнить следующие процедуры:**

- 1. Разместите динамики на минимальном расстоянии 60 см или более от проигрывателя.**
- 2. При воспроизведении записи с более высокой громкостью откройте пылезащитную крышку.**

### 2. Прослушивание записи

1. Поднимите пылезащитную крышку
2. Переведите ручку режима в положение Phono.
3. Включите устройство ручкой регулировки ГРОМКОСТИ/ПИТАНИЯ. Светодиодный индикатор питания загорится КРАСНЫМ цветом.
5. Поместите пластинку на опорный диск проигрывателя и установите скорость проигрывателя в соответствии со скоростью записи.

Примечание: при воспроизведении сингла (запись 45 об./мин.) и/или пластинок с большими центральными отверстиями используйте адаптер на 45 об./мин.

Снимите защитную крышку картриджа с иглой. Разблокируйте фиксатор тонарма на опоре тонарма. Отодвиньте рычаг установки, тонарм плавно поднимется. Осторожно переместите тонарм в желаемое положение над пластинкой, и опорный диск проигрывателя начнет вращаться, когда тонарм будет подвинут к нему, если кнопка включения функции «Автостоп» находится в положении ВКЛ. Поднимите тонарм на проигрыватель, пододвинув рычаг установки, и затем начнется воспроизведение виниловой пластинки.

Если кнопка включения функции «Автостоп» ВКЛЮЧЕНА, воспроизведение пластинки автоматически остановится по окончании. Если кнопка включения функции «Автостоп» ВЫКЛЮЧЕНА, воспроизведение пластинки НЕ остановится автоматически по окончании; Вы должны отодвинуть подъемный рычаг, чтобы поднять тонарм, и поместить его обратно в опору, а затем выключить питание, чтобы проигрыватель не вращался.

Примечание: функция «Автостоп» применима к большинству виниловых пластинок со скоростью 33 об./мин. Однако для очень небольшого количества виниловых пластинок воспроизведение останавливается, когда пластинка еще не доигрывает до конца, или воспроизведение не останавливается, когда пластинка доигрывает до конца, когда функция «Автостоп» включена.

### 3. Прослушивание в режиме Bluetooth

Внешнее устройство с функцией подключения Bluetooth можно подключить к этому проигрывателю по беспроводной сети с помощью функции Bluetooth.

1. Включите устройство ручкой регулировки ГРОМКОСТИ/ПИТАНИЯ.
2. Переведите ручку выбора режима в положение BT(Bluetooth), индикатор питания начнет моргать СИНИМ цветом.
3. Включите настройку Bluetooth на внешнем устройстве. Немного подождите, а затем найдите имя

сопряжения Bluetooth «Lenco LS-300».

4. Выберите имя сопряжения Bluetooth, чтобы подключить устройство. После подключения светодиодный индикатор перестанет мигать.
5. Теперь Вы подключены к внешнему устройству через Bluetooth
6. Поверните ручку регулировки громкости, чтобы отрегулировать уровень звука и отрегулировать громкость на внешнем аудиоустройстве.
7. Подключите кабель RCA (не входит в комплект) к соответствующим выходам сзади проигрывателя, чтобы наслаждаться пластинками на внешней аудио системе.

В режиме Bluetooth во избежание выключения LS-300 через 20 минут (для экономии энергии (директива ERP2)) следует установить уровень громкости вашего смартфона или планшета (передающего музыку на проигрыватель) между 50 % и максимальным. Регулировку громкости осуществляйте поворотной кнопкой на проигрывателе.

«Данное устройство имеет функцию приема сигнала Bluetooth. Нельзя передавать любой звук Bluetooth с его помощью, т. е. вы можете принимать звуковой сигнал Bluetooth беспроводным способом от внешнего источника, например смартфона».

Lenco	
Модель проигрывателя	LS-300
Тип привода	Пассиковый
Тип двигателя	Электродвигатель постоянного тока
Скорости вращения диска	33 1/3 об/мин, 45 об/мин
Нестабильность вращения	< 0.35%
Диаметр опорного диска	300 мм
Картридж	
Тип картриджа	N-40/Audio Technica AT3600
Диаметр иглы звукоснимател	0.6 mil
Оптимальная прижимная сила	3.5 г
Output	2.5mV±3dB 1KHz
Частотный диапазон	0dB±3dB 10KHz
Crosstalk	18dB и более 1KHz
Соотношение сигнал-шум (S/N)	40dB
Общая информация	
АДАПТЕР	вход 100-240 В, ~50/60 Гц, 1,2 А (переменного тока) выход 12 В, 2000 мА (постоянного тока)
ИЗДЕЛИЕ	12 В, 2000 мА (постоянного тока)
Уровень выхода (Line Out)	400-600mv
Энергопотребление	24 Вт
Габаритные размеры	424x331x160 мм проигрыватель; 140x177x230 мм колонки
Масса	Примерно 6.9 кг LS-300WD
Масса	Примерно 6.9 кг LS-300BK

#### Адаптер сетевого питания

Производитель: Блю Айрон Энтерпрайз Ко., Лтд. (Blue Iron Enterprise Co., Ltd.)

**Номер модели: VI30-120200-I**

**Производитель: Донгуан Лиянг Электрикал Текнолоджи Ко., Лтд. (Dongguan Liyang Electrical Technology Co., Ltd)**

**Номер модели: LY024SPS-120200VH**

**Используйте только комплектный адаптер**

**Используйте только источник питания, указанный в данном руководстве**

## Гарантийные обязательства

**Срок гарантии** составляет 1 (один) год с даты продажи. **Срок службы** – до 5 (пяти) лет.

Важное примечание: Компания Lenco не обеспечивает обслуживание оборудования в случае непосредственного обращения в головной офис компании.

Важное примечание: Гарантия не действует, если устройство вскрывалось или подвергалось изменениям вне официального сервисного центра.

Это устройство не предназначено для профессионального использования. В случае профессионального использования гарантийные обязательства производителя не будут выполняться.

## Заявление об ограничении ответственности

Обновления микропрограмм и/или компонентов аппаратного обеспечения производятся регулярно. Поэтому некоторые инструкции, спецификации и изображения в этой документации могут незначительно отличаться от Вашей конкретной ситуации. Все элементы, описанные в данном руководстве, предназначены только для иллюстрации и могут не относиться к конкретной ситуации. Из описания, приведенного в этом руководстве, нельзя получить никаких юридических прав.

## Утилизация оборудования



Этот символ означает, что соответствующее электрооборудование или батарея не может быть утилизирована как обычные бытовые отходы в Европе. Чтобы обеспечить корректную утилизацию данного оборудования руководствуйтесь местными законами или требованиями по утилизации электронного оборудования и батарей.

Поступая таким образом, Вы поможете сохранить природные ресурсы и улучшить стандарты защиты окружающей среды при обработке и утилизации электрических отходов (Директива ЕС об отходах электрического и электронного оборудования).

## Маркировка «СЕ»



Продукция с маркировкой CE соответствует требованиям Директиве ЕС по электромагнитной совместимости (2014/30/ЕС) и Директиве ЕС по вопросам качества низковольтных электротехнических изделий (2014/35/ЕС), принятых Комиссией Европейского Союза. Настоящим компания «Ленко Бенелюкс БВ» (Lenco Benelux BV), Термикстраат 1а, Нют, 6361 НВ, Нидерланды (Thermiekstraat 1a, 6361 НВ Nuth, The Netherlands) заявляет, что этот продукт соответствует основным требованиям. С декларацией соответствия можно ознакомиться по адресу [techdoc@lenco.com](mailto:techdoc@lenco.com). «Ленко Бенелюкс БВ», Термикстраат 1а, Нют, 6361 НВ, Нидерланды.

## Маркировка «ЕАС»



Товар сертифицирован для использования на территории Таможенного Союза без каких-либо ограничений. Соответствует требованиям ТР ТС 004/2011 «О безопасности низковольтного оборудования» и ТР ТС 020/2011 «Электромагнитная совместимость технических средств».

**Импортер и организация, уполномоченная на принятие претензий:** ООО "Бизнес-фабрика", 123458 г. Москва, ул. Маршала Прошлякова, д. 30, офис 503, +7 495 787 5900. **Изготовитель:** «Ленко Бенелюкс БВ», Термикстраат 1а, Нют, 6361 НВ, Нидерланды / **Филиал:** Эс.Ти.Ай.

Электроникс Лтд., Юнит 903-907, 9/ЭФ, Лоз Коммершиал Плаза, 788 Чонг Ша Ван Роуд, Коулун, Гонконг. Сделано в Китае.

### **Обслуживание**

Для получения дополнительной информации и обращения в службу поддержки клиентов посетите наш веб-сайт: [www.lenco.ru](http://www.lenco.ru). Дизайн и спецификация могут быть изменены производителем без предварительного информирования.

# Гарантийный талон



## Информация об устройстве

<b>Модель:</b>	
<b>Серийный номер:</b>	
<b>Дата продажи:</b> срок гарантии – 1 (один) год с даты продажи	

## Информация о продавце

<b>Название торговой организации:</b>	
<b>Телефон торговой организации:</b>	
<b>Адрес, e-mail:</b>	

Подпись продавца \_\_\_\_\_

М.П.

Подпись покупателя \_\_\_\_\_

*Изделие получил в исправном состоянии и в полной комплектации.*

*С условиями гарантии ознакомлен и согласен.*

**ВНИМАНИЕ!** Гарантийный талон недействителен без печати продавца.

Поддержка: [www.lenco.ru](http://www.lenco.ru)

**ATTENZIONE:**

L'utilizzo di controlli o regolazioni o l'esecuzione di procedure diverse da quelle specificate può causare l'esposizione a radiazioni pericolose.

**PRECAUZIONI PRIMA DELL'USO****CONSERVARE QUESTE ISTRUZIONI:**

1. Non coprire o bloccare le aperture di ventilazione. Quando si posiziona il dispositivo su uno scaffale, lasciare uno spazio libero di 5 cm (2") attorno all'intero perimetro.
2. Installare secondo quanto riportato nel manuale fornito.
3. Tenere il dispositivo lontano da sorgenti termiche come radiatori, termosifoni, stufe, candele e altri prodotti che generano calore o fiamme libere. Il dispositivo può essere utilizzato solo in climi moderati. Evitare ambienti estremamente freddi o caldi. Temperatura operativa compresa tra 0° e 35°C.
4. Evitare l'uso del dispositivo in presenza di forti campi magnetici.
5. Le scariche elettrostatiche possono interferire con il normale utilizzo di questo dispositivo. In tal caso, è sufficiente ripristinare e riavviare il dispositivo seguendo il manuale di istruzioni. Durante la trasmissione di file, maneggiarlo con cura e operare in un ambiente privo di elettricità statica.
6. **Avviso!** Non inserire mai oggetti nel prodotto attraverso le prese d'aria o le aperture. All'interno del prodotto sono presenti tensioni elevate e l'inserimento di un oggetto può provocare scariche elettriche e/o cortocircuiti. Per lo stesso motivo, non versare acqua o liquidi sul prodotto.
7. Non utilizzare in aree umide o bagnate come bagni, cucine con vapore o piscine.
8. Non esporre il dispositivo a schizzi o gocciolamenti di liquidi; non poggiare sopra o accanto al dispositivo oggetti contenenti liquidi, ad esempio vasi.
9. Non utilizzare questo dispositivo in caso di condensa. Quando l'unità viene utilizzata in una stanza calda e umida, all'interno dell'unità possono formarsi goccioline d'acqua o condensa e l'unità potrebbe non funzionare correttamente; lasciare l'unità spenta per 1 o 2 ore prima di accenderla: l'unità deve essere asciutta prima di essere alimentata.
10. Sebbene questo dispositivo sia fabbricato con la massima cura e controllato più volte prima di lasciare la fabbrica, è comunque possibile che si verifichino problemi come per qualsiasi altra apparecchiatura elettrica. Se si nota fumo, eccessivo accumulo di calore o altri fenomeni imprevisti, scollegare immediatamente la spina dalla presa di alimentazione principale.
11. Questo dispositivo deve funzionare con una fonte di alimentazione con i valori indicati sull'etichetta delle specifiche. Se non si è sicuri del tipo di alimentazione utilizzata in casa, consultare il rivenditore o la compagnia elettrica locale.
12. Tenere fuori dalla portata degli animali domestici, Ad alcuni animali piace mordere i cavi di alimentazione.
13. Per pulire il dispositivo, utilizzare un panno morbido e asciutto. Non usare solventi o liquidi a base di benzina. Per rimuovere le macchie persistenti, è possibile utilizzare un panno umido con detergente diluito.
14. Il fornitore non è responsabile per danni o perdita di dati causati da malfunzionamento, uso improprio, modifica del dispositivo o sostituzione della batteria.
15. Non interrompere la connessione quando il dispositivo sta formattando o trasferendo file. In caso contrario, i dati potrebbero essere danneggiati o andare persi.
16. Se l'unità dispone della funzione di riproduzione USB, la chiavetta USB deve essere collegata direttamente all'unità. Non utilizzare una prolunga USB perché può causare interferenze con conseguenti anomalie dati.
17. L'etichetta di classificazione è stata contrassegnata sul pannello inferiore o posteriore del dispositivo.
18. Questo dispositivo non è destinato all'uso da parte di persone (compresi i bambini) con disabilità fisiche, sensoriali o mentali, o mancanti di esperienza e conoscenza, a meno che non siano sotto supervisione o abbiano ricevuto istruzioni circa l'uso corretto del dispositivo da parte di chi è responsabile per la loro sicurezza.
19. Questo prodotto è destinato esclusivamente all'uso non professionale e non commerciale o industriale.
20. Assicurarsi che l'unità sia collocata in una posizione stabile. I danni causati dall'uso di questo prodotto in una posizione instabile, vibrazioni o urti o la mancata osservanza di qualsiasi altro avvertimento o precauzione indicati in questo manuale utente non saranno coperti da garanzia.
21. Non rimuovere mai la carcassa di questo dispositivo.
22. Non posizionare mai questo dispositivo su altre apparecchiature elettriche.
23. Non permettere ai bambini di accedere ai sacchetti di plastica.
24. Utilizzare solo collegamenti/accessori specificati dal produttore.
25. Rivolgersi a personale qualificato per l'assistenza. L'assistenza è necessaria quando il dispositivo è stato in qualche modo danneggiato, come il cavo di alimentazione o la spina, quando è stato versato del liquido o sono caduti oggetti nel dispositivo, quando il dispositivo è stato esposto a pioggia o umidità, non funziona normalmente o è stato abbandonato.
26. L'esposizione prolungata ai suoni ad alto volume dei lettori musicali può causare una perdita temporanea o permanente dell'udito.



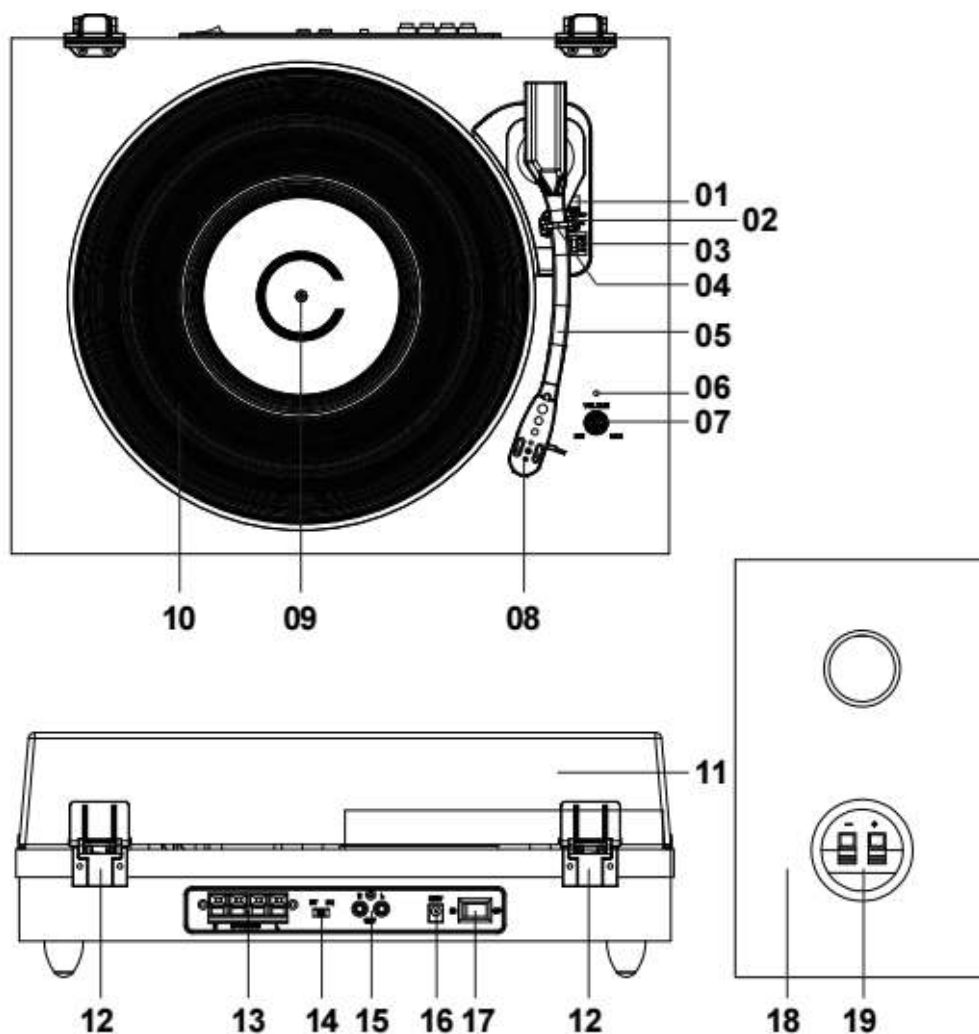
27. Se il prodotto viene consegnato con cavo di alimentazione o adattatore di alimentazione CA:
- In caso di problemi, scollegare il cavo di alimentazione CA e rivolgersi a personale qualificato per l'assistenza.
  - Non calpestare o schiacciare l'alimentatore. Fare molta attenzione, in particolare vicino alle prese e al punto di uscita del cavo. Non posizionare oggetti pesanti sull'alimentatore in quanto potrebbero danneggiarlo. Tenere il dispositivo fuori dalla portata dei bambini. Giocando con il cavo di alimentazione possono infortunarsi seriamente.
  - Scollegare il dispositivo durante i temporali o quando non viene utilizzato per un lungo periodo.
  - La presa di corrente deve essere installata vicino all'apparecchio e deve essere facilmente accessibile.
  - Non sovraccaricare le prese CA né le prolunghe. Il sovraccarico può causare incendi o scariche elettriche.
  - I dispositivi con struttura di classe 1 devono essere collegati a una presa di rete con connessione di messa a terra di protezione.
  - I dispositivi con struttura di classe 2 non richiedono un collegamento a terra.
  - Tenere sempre la spina quando la si estrae dalla presa di rete. Non tirare il cavo di alimentazione. Ciò può causare un cortocircuito.
  - Non utilizzare un cavo o una presa di alimentazione danneggiati o una presa non fissata. Tale azione potrebbe provocare incendi o scariche elettriche.
28. Se il prodotto contiene o viene consegnato con un telecomando contenente batterie a pulsante/a bottone:  
Avvertenza:
- "Non ingerire la batteria, pericolo di ustioni chimiche" o funzionamento equivalente.
  - (Il telecomando in dotazione con) Il presente prodotto contiene una pila a bottone. Se ingerita, la batteria può causare gravi ustioni interne in sole 2 ore e portare alla morte.
  - Tenere le batterie, nuove o usate, fuori dalla portata dei bambini.
  - Se il vano batteria non si chiude completamente, interrompere l'uso del dispositivo e tenerlo fuori dalla portata dei bambini.
  - Se si teme che delle batterie possano essere state inghiottite o essere venute a contatto con qualsiasi parte interna del corpo, contattare immediatamente un medico.
29. Precauzioni sull'uso delle batterie:
- Pericolo di esplosione se la batteria viene sostituita in modo errato. Sostituire solo con lo stesso tipo o equivalente.
  - Non sottoporre le batterie a temperature estreme alte o basse, bassa pressione dell'aria ad alta quota durante l'uso, lo stoccaggio o il trasporto.
  - La sostituzione con una batteria di tipo errato può provocare un'esplosione o la perdita di liquidi o gas infiammabili.
  - Lo smaltimento di una batteria nel fuoco o in un forno caldo o lo schiacciamento o il taglio meccanico di una batteria possono provocare un'esplosione.
  - Lasciare una batteria in un ambiente circostante a temperatura estremamente elevata può provocare un'esplosione o una perdita di liquidi o gas infiammabili.
  - Una batteria soggetta a una pressione dell'aria estremamente bassa può provocare un'esplosione o una perdita di liquidi o gas infiammabili.
  - È necessario prestare attenzione agli aspetti ambientali legati allo smaltimento delle batterie.

#### **INSTALLAZIONE**

- Disimballare tutte le parti e rimuovere il materiale protettivo.
- Non collegare l'unità alla rete elettrica prima di avere controllato la tensione di rete e prima che siano stati effettuati tutti gli altri collegamenti.

**\* Queste istruzioni sono relative solo ai prodotti che utilizzano il cavo di alimentazione o l'alimentatore CA.**

## 1. PARTI GIREVOLI:



1. Leva di sollevamento
2. Selettore controllo stop automatico
3. Selettore velocità
4. Blocco braccio
5. Braccio
6. Spia LED alimentazione
7. Selettore controllo volume
8. Testina Bustina Foto
9. Albero girevole
10. Piatto girevole
11. Rimuovere il coperchio antipolvere
12. Cardini
13. Jack altoparlante esterno
14. Selettore funzione
15. Jack uscita RCA
16. Jack adattatore alimentazione
17. Selettore accensione/spengimento
18. Altoparlanti esterni
19. Jack altoparlante su altoparlante esterno

## CONFIGURAZIONE

Un adattatore CA/CC con un'uscita di 12V DC 2.0A è incluso con questo giradischi con Bluetooth e altoparlanti in legno. L'adattatore è necessario per il funzionamento dell'unità.

Collegare i cavi dell'altoparlante esterno dal jack dell'altoparlante esterno sul retro dell'unità a ciascun altoparlante.

Nota: I cavi degli altoparlanti esterni sono codificati a colori, il cavo rosso è collegato a un jack rosso sia sull'unità che sugli altoparlanti (cavo nero nei jack neri).

Inserire saldamente la spina CC dell'adattatore nella presa DC IN sul retro dell'unità.

Collegare le spine CA dell'adattatore a una presa di corrente da 220-240 V AV ~ 50 Hz.

Accendere l'unità portando l'interruttore di accensione / spegnimento in posizione On. L'indicatore luminoso LED di alimentazione si accenderà.

**Osservazioni: Per evitare l'effetto Larsen o il rumore di feedback, puoi fare quanto segue:**

- 1. Posizionare gli altoparlanti a una distanza minima di 60 cm o più dal giradischi**
- 2. Lasciare che il coperchio antipolvere si apra quando riproduci un disco a un volume audio più alto**

### 2. Ascoltare un disco

1. Sollevare il coperchio antipolvere
2. Far scorrere il selettore delle funzioni sulla posizione Phono.
3. Accendere l'unità portando l'interruttore di accensione / spegnimento in posizione On. L'indicatore luminoso di alimentazione si accenderà in ROSSO.
4. Porre una registrazione sul piatto girevole e importare il lettore e impostare la velocità del rettore che corrisponde.  
Nota: Quando si riproduce un singolo (un disco da 45 giri) e/o dischi con grandi fori centrali, utilizzare l'adattatore da 45 giri.

Rimuovere la copertura protettiva della testina dell'ago e sbloccare il blocco del braccio dal supporto. Spingere indietro la leva di sollevamento, il braccio si solleverà delicatamente. Spostare delicatamente il braccio nella posizione desiderata sul disco e il piatto del giradischi inizierà a ruotare quando il braccio viene spostato verso di esso se l'interruttore di controllo arresto automatico è su ON. Rilasciare il braccio sul giradischi spingendo la leva di sollevamento in avanti e il disco in vinile inizierà a suonare.

Se l'interruttore di controllo automatico è attivato, la registrazione si interromperà automaticamente al termine. Se l'interruttore di controllo arresto automatico è disattivato, la registrazione NON si interromperà automaticamente al termine; è necessario spingere la leva di sollevamento all'indietro per sollevare il braccio e riposizionarlo nel resto, quindi spegnere l'alimentazione per fermare la rotazione del giradischi.

Osservazioni: La funzione ARRESTO AUTOMATICO si applica alla maggior parte dei dischi in vinile a 33 giri/min. Tuttavia, per pochissimi dischi in vinile, si fermerà quando non arriva alla fine, o non si fermerà quando arriva alla fine quando ARRESTO AUTOMATICO è su ON.

### 3. Ascoltare da Bluetooth

Un dispositivo esterno con connettività Bluetooth può essere connesso in modalità wireless a questo giradischi utilizzando la funzione Bluetooth.

1. Accendere l'unità portando l'interruttore di accensione / spegnimento in posizione On.
2. Ruotare l'interruttore di selezione delle funzioni in posizione BT (Bluetooth), l'indicatore luminoso a LED di alimentazione inizierà a lampeggiare in BLU.
3. Attiva l'impostazione Bluetooth del tuo dispositivo esterno. Attendi un momento, quindi cerca il nome dell'accoppiamento Bluetooth "Lenco LS-300"
4. Selezionare il nome dell'accoppiamento Bluetooth per connettere l'unità. Una volta connesso, il led BLU smetterà di lampeggiare.
5. Ora sei connesso al tuo dispositivo esterno tramite Bluetooth

6. La cosa migliore è impostare il livello del **volume** sul dispositivo Bluetooth (**smartphone o tablet**) al **massimo** e regolare il volume di ascolto desiderato con l'interruttore di controllo del volume del giradischi (07).
7. Collegare il jack di uscita RCA al sistema di altoparlanti esterni con il cavo RCA (non fornito) per ascoltare la musica dei dischi in vinile sul sistema di altoparlanti.

**Contrassegna nuovamente: L'LS-300 andrà automaticamente in posizione di standby se non c'è segnale audio (registrazione o Bluetooth) per 20 minuti (-4/+ 5 minuti) e l'utente finale deve spegnersi e riaccendersi sul retro per svegliarsi dal Posizione di attesa.**

In modalità Bluetooth, per evitare che l'LS-300 si spenga dopo 20 minuti (per il risparmio energetico (direttiva ERP2)), è meglio mettere il volume del proprio smartphone o tablet (musica in streaming al giradischi) tra il 50% e massimo e controllare il volume con il pulsante rotante del giradischi.

"Questo prodotto ha una funzione di **ricezione** bluetooth, **non puoi trasmettere alcun suono bluetooth con esso**: questo significa che puoi ricevere in modalità wireless un segnale audio bluetooth da una fonte esterna come uno smartphone."

Lenco	
Giradischi	LS-300
Tipo	Trasmissione a cinghia completamente manuale
Motore guida	Motore CC
Velocità	33 1/3 rpm, 45 rpm
Wow and Flutter	≤0,35%
Piatto girevole	300 mm
Testina	
Tipo	N-40/Audio Technica AT3600
Puntina	0,6 mil
Forza di tracciamento ottimale	3,5 g
Uscita	2,5mV±3dB 1KHz
Risposta in frequenza	0dB±3dB 10KHz
Diafonia	18dB o più 1KHz
Rapporto segnale-rumore (S/N)	40dB
Generale	
ADATTATORE	ingresso CA100-240V~50/60Hz 1,2A
	uscita CC12V-2A
PRODOTTO	CC12V-2A
Uscita audio (Linea uscita)	400-600mv
Consumo di energia	24W
Dimensioni	424x331x160mm per unità principale; 140x177x230mm per altoparlante
Peso	ca. 6,9KG LS-300WD
Peso	ca. 6,9KG LS-300BK

## Alimentatore

**Produttore: Dongguan Liyang Electrical Technology Co., Ltd**

**Numero di modello: LY024SPS-120200Z**

**Utilizzare solo l'alimentazione indicata nel presente manuale.**

Informazioni	Valore e precisione
Nome del produttore o marchio commerciale, registrazione commerciale e indirizzo	<b>Dongguan Liyang Electrical Technology Co., Ltd</b> Zone A, 2/F, Building D, Chuangfu Industrial Zone, Dakan Village, Huangjiang Town, 523750, Dongguan City, Guangdong, Cina
Identificatore del modello	<b>LY024SPS-120200Z</b>
Tensione in ingresso	120-240V
Frequenza in ingresso CA	50-60 Hz
Tensione in uscita	CC 12V
Corrente in uscita	2A
Potenza in uscita	24W
Efficienza media attiva	87,89%
Efficienza a basso carico (10%)	82,77%
Nessun carico Consumo energetico	0,08

## 1. Garanzia

Lenco offre assistenza e garanzia in conformità con la legge europea, il che significa che in caso di riparazioni (sia durante che dopo il periodo di garanzia) è necessario contattare il rivenditore locale.

Nota importante: Non è possibile inviare direttamente a Lenco i prodotti da riparare.

Nota importante: Qualora l'unità venga aperta o manomessa in qualsiasi modo da un centro di assistenza non riconosciuto, la garanzia decade.

Questo dispositivo non è adatto per l'uso professionale. Qualora l'unità venga utilizzata per scopi professionali, tutti gli obblighi del produttore derivanti dalla garanzia sono nulli.

## 2. Clausola di esclusione della responsabilità

Il firmware e/o i componenti hardware vengono aggiornati regolarmente. Pertanto, è possibile che alcune parti relative a istruzioni, specifiche e immagini contenute nella presente documentazione siano diverse da quanto riscontrato nel singolo caso. Tutte le descrizioni incluse in questa guida sono fornite a puro titolo illustrativo e non si applicano necessariamente alla specifica situazione. Nessun diritto legale o contrattuale può derivare dalle descrizioni contenute nel presente libretto di istruzioni.

## 3. Smaltimento a fine vita del dispositivo



Questo simbolo indica che in Europa è vietato gettare il relativo prodotto elettrico o batteria tra i rifiuti domestici. Per il corretto smaltimento a fine vita del prodotto e della batteria, attenersi alle vigenti normative locali per il trattamento dei rifiuti da apparecchiature elettriche ed elettroniche e delle batterie. In tal modo si contribuisce a salvaguardare le risorse naturali e a migliorare gli standard per la protezione dell'ambiente nel trattamento dei rifiuti da apparecchiature elettriche ed elettroniche (Direttiva RAEE).

## 4. Marchio CE

Con la presente, Lenco Benelux B.V., Thermiekstraat 1a, 6361 HB Nuth, Paesi Bassi, dichiara che questo prodotto è conforme ai requisiti essenziali della Direttiva europea.

La dichiarazione di conformità può essere richiesta inviando un'e-mail a [techdoc@commaxxgroup.com](mailto:techdoc@commaxxgroup.com)



## 5. Assistenza

Per ulteriori informazioni e accesso all'helpdesk, visitare il sito [www.lenco.com](http://www.lenco.com)

Lenco Benelux BV, Thermiekstraat 1a, 6361 HB, Nuth, Paesi Bassi.